

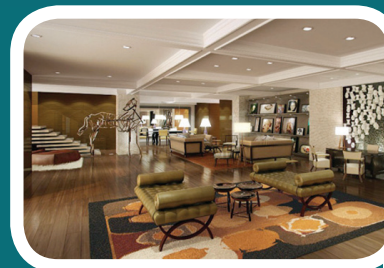
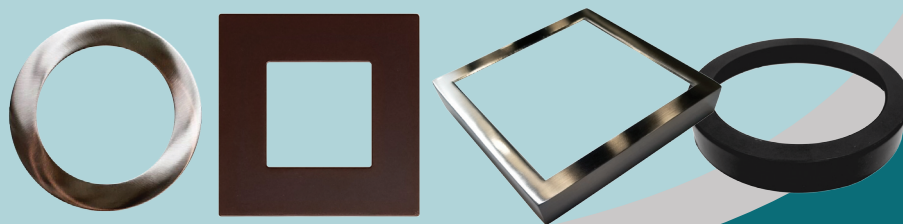
INNOVATIVE LIGHTING SOLUTIONS

NATIONAL SPECIALTY LIGHTING  
**NSL**

# 2019 New Products Recessed and Surface Mount Down Lights



**NEW**  
Interchangeable  
Trim Rings



ARCHITECTURAL AND DECORATIVE LIGHTING

# LED THIN-LINE DOWN LIGHT GEN III

Thin-line LED Down Lights are a breakthrough in LED downlight technology. Designed for remodel and new construction, wet locations listed, Thin Line Downlights are a versatile and affordable choice for countless applications.

## Features

- ✓ Energy Star rated - up to 80% energy savings
- ✓ Dimmable to 5% with most standard dimmers
- ✓ Ultra thin design
- ✓ Suitable for wet locations
- ✓ 120° beam spread
- ✓ No IC can required
- ✓ Temperature rating: -20°C-45°C
- ✓ Airtight
- ✓ The driver is wired for 120V input
- ✓ 50,000 hour life
- ✓ 5 year limited warranty
- ✓ cETLus, Energy Star
- ✓ Interchangeable brushed nickel, black and bronze trim rings available  
(sold separately)

## Applications

- ✓ Kitchens & Pantries
- ✓ Laundry Rooms
- ✓ Bathrooms
- ✓ Lobbies
- ✓ Hallways
- ✓ Banquet Halls
- ✓ Elevators
- ✓ Retail lighting
- ✓ Restaurants
- ✓ Offices



# LED THIN-LINE DOWN LIGHTS GEN III

Designed for remodel and new construction, wet locations listed, Thin Line Downlights are a versatile and affordable choice for countless applications.

## Finish

White

## Trim Rings

Interchangeable brushed nickel, black and bronze trim rings available (sold separately).

For more info, see page 10.

## Electrical

The driver is wired for 120V input

## Lamping

LEDs are 3000K (WW) and 4000K (NW)

Rated for 50,000 hrs., > 80 CRI

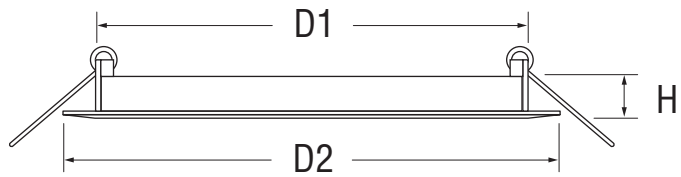
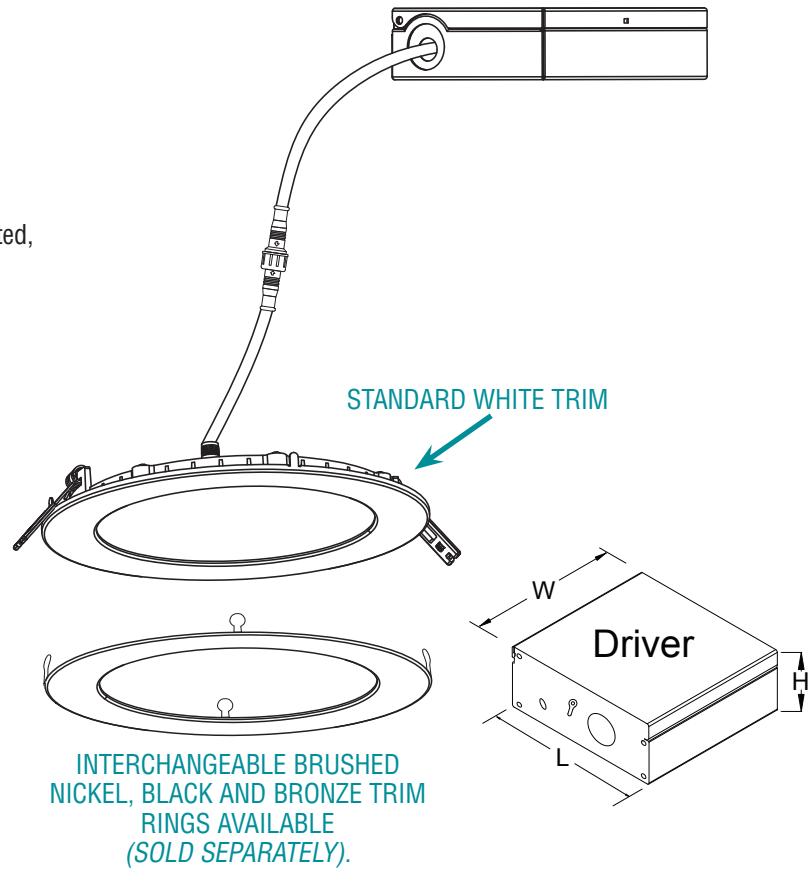
## Certification

cETLus listed for wet location

## Warranty

Limited warranty: This fixture is free from defects in materials and workmanship for a period of 5 years from date of purchase

**NOTE: Each fixture ships with one constant current power supply.**



## SPECIFICATIONS

### LED Thin Line Down Lights Gen III

	3 inch Thin-line LED Down Light	4 inch Thin-line LED Down Light	6 inch Thin-line LED Down Light	8 inch Thin-line LED Down Light	10 inch Thin-line LED Down Light
<b>Product Codes:</b>	LVLDL-03-XX-WH-R-L3	LVLDL-04-XX-WH-R-L3	LVLDL-06-XX-WH-R-L3	LVLDL-08-XX-WH-R-L3	LVLDL-10-XX-WH-R-L3
LED Color	White				
Color Temperature	Warm White 3000K, Neutral White 4000K				
Input Voltage	120V				
Power Consumption (W)	6	9	12	15	20
No. SMD2835 LEDs	36	48	72	96	120
Lumens	420	630	840	1050	1400
Color Rendering Index	80+				
Dimmable	Yes				
Life Span (hours)	50,000 hrs				
Appearance Size D1 x D2 x H	3.15" x 3.74" x 0.5" (80mm x 95mm x 13mm)	4.17" x 4.73" x 0.5" (106mm x 120mm x 13mm)	6.14" x 6.85" x 0.5" (156mm x 174mm x 13mm)	8.15" x 8.9" x 0.5" (207mm x 226mm x 13mm)	10" x 10.79" x 0.5" (254mm x 274mm x 13mm)
Installation Hole Size	3.35" (85mm)	4.33" (110mm)	6.54" (166mm)	8.27" (210mm)	10.31" (262mm)
Dimensions (J-Box) L x W x H	4.8" x 2.05" x 1.86" (122mm x 52mm x 47.3mm)	3.74" x 3.5" x 1.3" (95mm x 89mm x 33mm)	3.74" x 3.5" x 1.3" (95mm x 89mm x 33mm)	3.74" x 3.5" x 1.3" (95mm x 89mm x 33mm)	3.74" x 3.5" x 1.3" (95mm x 89mm x 33mm)

† XX = LED color: WW = Warm White (3000K), NW = Neutral White (4000K).

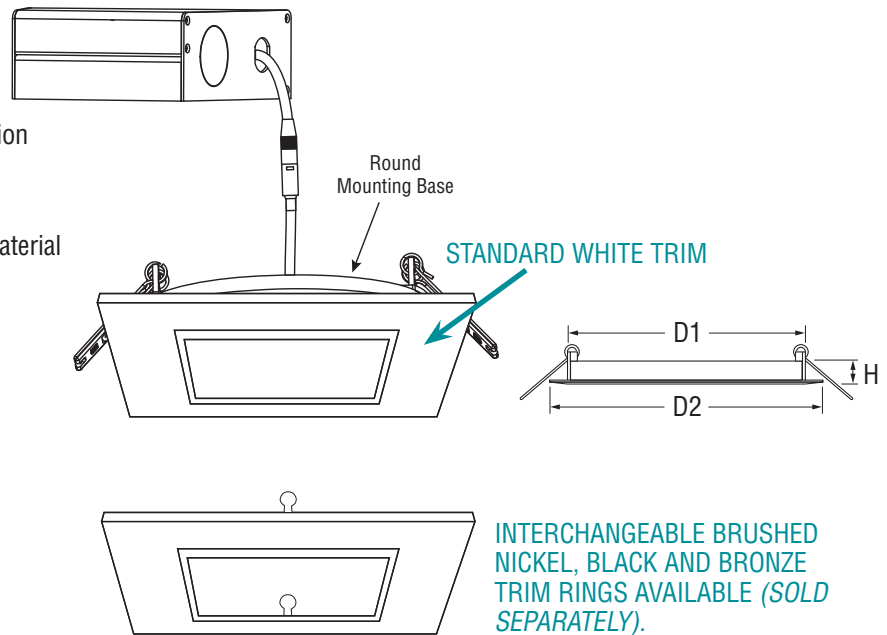
# LED THIN-LINE SQUARE DOWN LIGHTS GEN III

Designed for remodel and new construction, wet locations listed, Thin Line Downlights are a versatile and affordable choice for countless applications.



## Features

- ✓ Low profile, perfect for shallow ceiling plenums
- ✓ No IC can required, for direct contact with insulation and combustible materials
- ✓ 80+ CRI
- ✓ Two spring loaded clips to attach to any ceiling material
- ✓ 120 degrees beam spread
- ✓ Edge lit technology eliminates hot spots
- ✓ Temperature rating: -20°C-45°C
- ✓ 50,000 hours life
- ✓ Dimmable with most standard dimmers
- ✓ cETLus listed for wet locations
- ✓ Interchangeable brushed nickel, black and bronze trim rings available (*sold separately*)



## Finish

White

## Trim Rings

Interchangeable brushed nickel, black and bronze trim rings available (*sold separately*).

For more info, see page 10.

## Electrical

The driver is wired for 120V input

## Lamping

LEDs are 3000K (WW) and 4000K (NW)  
Rated for 50,000 hrs., > 80 CRI

## Certification

cETLus listed for wet location

## Warranty

Limited warranty: This fixture is free from defects in materials and workmanship for a period of 5 years from date of purchase

**NOTE: Each fixture ships with one constant current power supply.**

## SPECIFICATIONS

### LED Thin Line Square Down Lights Gen III

	4 inch Thin-line Square Down Light	6 inch Thin-line Square Down Light
Product Codes	LVLDL-04S-XX-WH-R-L3	LVLDL-06S-XX-WH-R-L3
Power Consumption (W)	9W	12W
<b>Lumens:</b> Warm White (WW) Neutral White (NW)	630	840
Dimming	Yes	
Appearance Size D1 x D2 x H	4.17" x 4.73" x 0.5" (106mm x 120mm x 13mm)	6.14" x 6.73" x 0.5" (156mm x 171mm x 13mm)
Dimensions (J-Box) L x W x H	3.74" x 3.5" x 1.3" (95mm x 89mm x 33mm)	3.74" x 3.5" x 1.3" (95mm x 89mm x 33mm)
Installation Hole Size	4.33" (110mm)	6.54" (166mm)
Color Rendering Index	80+	
Input Voltage	120V	
Color Temperature	3000K – 4000K	
LEDs	Epistar	
Power Factor	0.95	

† XX = LED color: WW = Warm White (3000K), NW = Neutral White (4000K).

# 3 COLOR TEMPERATURE LED THIN LINE DOWN LIGHTS

Designed for remodel and new construction, wet locations listed, Thin Line Downlights are a versatile and affordable choice for countless applications.

## Features

- ✓ Energy Star rated - up to 80% energy savings
- ✓ Dimmable to 5% with most standard dimmers
- ✓ 120° beam spread
- ✓ Adjustable color temperature 2700K/3000K/4000K
- ✓ Two spring loaded clips to attach to any ceiling material
- ✓ White finish
- ✓ Wet locations listed
- ✓ Temperature rating: -20°C-45°C
- ✓ No IC can required, for direct contact with insulation and combustible materials
- ✓ The driver is wired for 120V input
- ✓ 50,000 hour life
- ✓ 5 year limited warranty
- ✓ Airtight
- ✓ cETLus and Energy Star listed
- ✓ Interchangeable brushed nickel, black and bronze trim rings available (*sold separately*)

## Applications

- ✓ Kitchens & Pantries
- ✓ Laundry Rooms & Bathrooms
- ✓ Lobbies & Hallways
- ✓ Banquet Halls
- ✓ Elevators
- ✓ Retail lighting
- ✓ Restaurants
- ✓ Offices

Color Temperature: 2700K



Color Temperature: 3000K



Color Temperature: 4000K



# 3 COLOR TEMPERATURE LED THIN LINE DOWN LIGHTS

Designed for remodel and new construction, wet locations listed, Thin Line Downlights are a versatile and affordable choice for countless applications.

## Finish

White

## Trim Rings

Interchangeable brushed nickel, black and bronze trim rings available (sold separately). For more info, see page 10.

## Electrical

The driver is wired for 120V input

## Lamping

Adjustable color temperature 2700K/3000K/4000K  
Rated for 50,000 hrs., 80+ CRI

## Certification

cETLus listed for wet location

## Warranty

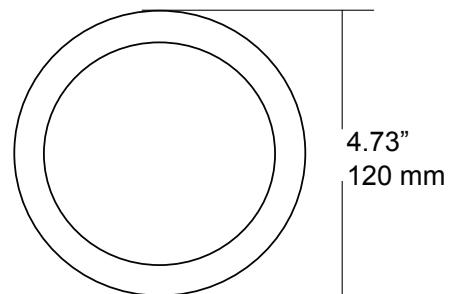
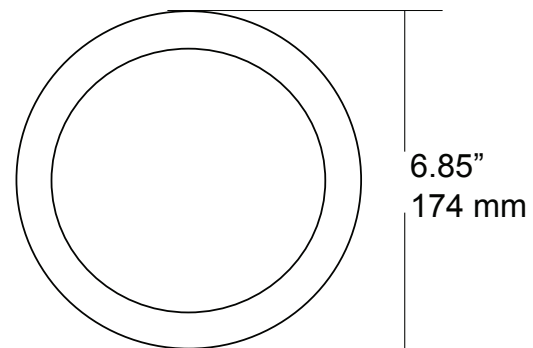
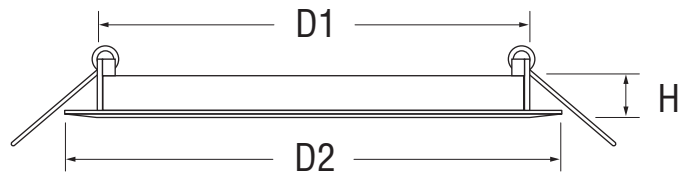
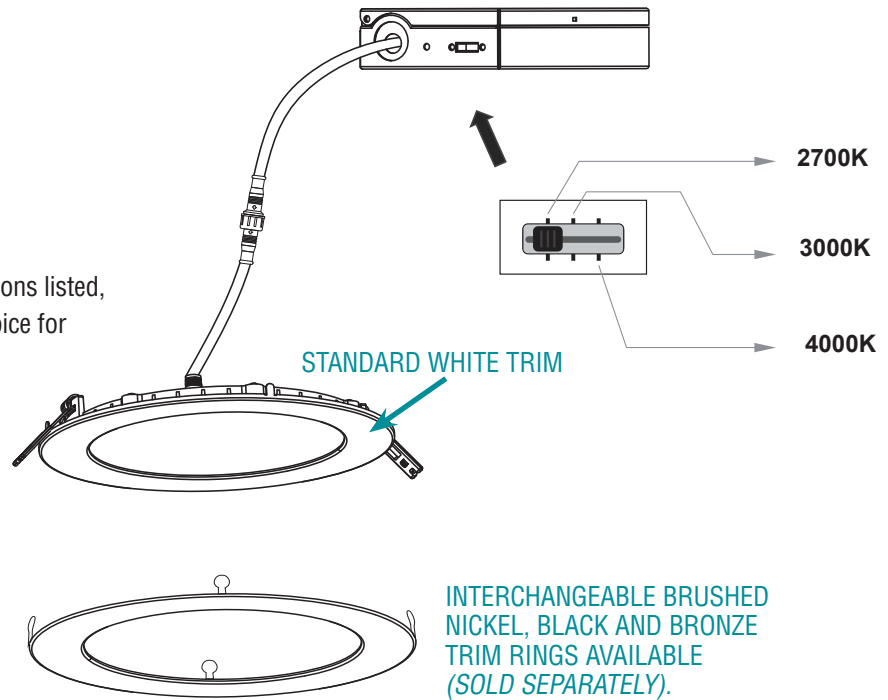
Limited warranty: This fixture is free from defects in materials and workmanship for a period of 5 years from date of purchase

**NOTE: Each fixture ships with one constant current power supply.**

## SPECIFICATIONS

### 3 Color Temperature LED Thin Line Down Lights

	4 inch 3-Color Temperature LED Thin Line Down Light	6 inch 3-Color Temperature LED Thin Line Down Light
Product Codes	LVLDL-04-CCT-WH-R-L3	LVLDL-06-CCT-WH-R-L3
Power Consumption (W)	9W	12W
Lumens	630	840
Dimming	Yes	
Appearance Size D1 x D2 x H	4.17" x 4.73" x 0.5" (106mm x 120mm x 13mm)	6.14" x 6.85" x 0.5" (156mm x 174mm x 13mm)
Dimensions (J-Box) D1 x D2 x H	5.1" x 3.5" x 1.3" (129.6mm x 89mm x 33mm)	5.1" x 3.5" x 1.3" (129.6mm x 89mm x 33mm)
Installation Hole Size	4.33" (110mm)	6.54" (166mm)
Color Rendering Index	80+	
Input Voltage	120V	
Color Temperature	2700K 3000K 4000K	
Approved Location	Wet	



# LED SURFACE MOUNT DOWN LIGHTS

## Product Description

LED Surface Mount Down Light is a low-profile downlight intended for ceiling mount applications. Features driver on board (DOB) technology, with no external driver needed. These flush mount LED ceiling lights mount directly into a 4" junction box. Ideal for general LED Lighting in residential and commercial applications.

## Features

- ✓ Driver on Board Technology, provides a 120V alternating current source and eliminates the need for traditional LED driver
- ✓ Quick & easy to install on standard junction box, ceiling mount with mounting plate
- ✓ Die-cast aluminum housing
- ✓ Smooth and continuous dimming, dimmable with most standard dimmers
- ✓ Temperature rating: -20°C-40°C
- ✓ No light bulbs to replace or dispose
- ✓ Instant full brightness (including in sub-zero temperatures)
- ✓ 80+ CRI
- ✓ cETLus listed for wet locations
- ✓ Interchangeable brushed nickel, black and bronze trim rings available (sold separately)

## Construction

Housing is made from die-cast aluminum  
Matte white polycarbonate diffuser

## Finish

White

## Trim Rings

Interchangeable brushed nickel, black and bronze trim rings available (sold separately). For more info, see page 10.

## Diffuser

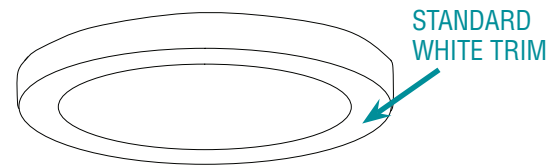
White polycarbonate diffuser

## Electrical

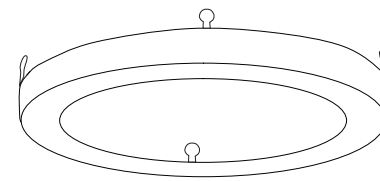
This unit is wired for 120V operation  
Dimmable with most standard dimmers

## Lamping

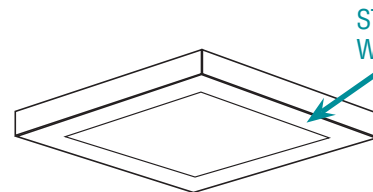
LED's are 3000K-4000K non-replaceable  
Rated for 50,000 hrs. 80+ CRI



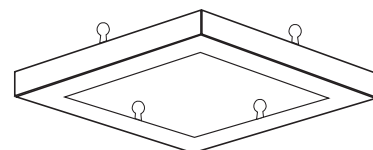
STANDARD WHITE TRIM



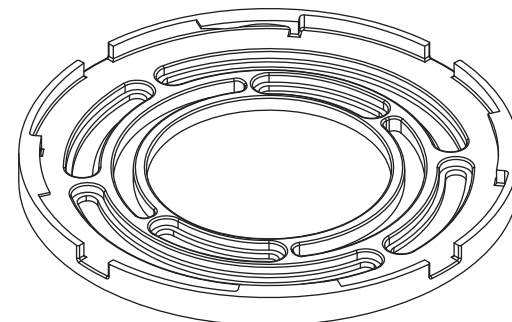
INTERCHANGEABLE BRUSHED NICKEL, BLACK AND BRONZE TRIM RINGS AVAILABLE (SOLD SEPARATELY).



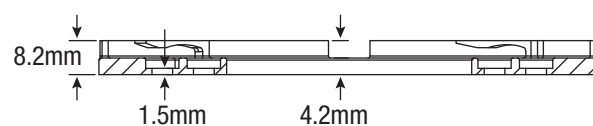
STANDARD WHITE TRIM



INTERCHANGEABLE BRUSHED NICKEL, BLACK AND BRONZE TRIM RINGS AVAILABLE (SOLD SEPARATELY).



MOUNTING PLATE



## Certification

Fixtures are cETLus listed for wet locations

## Warranty

Limited warranty: This fixture is free from defects in materials and workmanship for a period of 5 years from date of purchase

## Includes

- (1) Surface mount fixture
- (1) Mounting plate
- (3) Wire Nuts
- (1) Fitting instruction
- (2) Wood screws

\*Specifications and dimensions subject to change without notice.

## SPECIFICATIONS

### Round LED Surface Mount Down Lights

	6 inch Round LED Surface Mount Down Light	8 inch Round LED Surface Mount Down Light	10 inch Round LED Surface Mount Down Light	12 inch Round LED Surface Mount Down Light
Product Codes	LVLDL-SR-06-XX-WH-L	LVLDL-SR-08-XX-WH-L	LVLDL-SR-10-XX-WH-L	LVLDL-SR-12-XX-WH-L
LED Color	White			
Color Temperature CCT	Warm White 3000K, Neutral White 4000K			
Input Voltage	120V			
Power Consumption (W)	11	14	17	22
<b>Lumens:</b> Warm White (WW) Neutral White (NW)	880 900	1000 1050	1200 1250	1800 1850
<b>Luminous Efficacy (LPW):</b> Warm White (WW) Neutral White (NW)	80 82	71 75	70 73	82 84
Color Rendering Index	>80			
Dimmable	Yes			
Life Span (hours)	50,000 hrs			
LEDs	Epistar			
Appearance Size	6" D x 1" H (152mm D x 25mm H)	8" D x 1" H (203mm D x 25mm H)	10" D x 1" H (254mm D x 25mm H)	12" D x 1" H (305mm D x 25mm H)

### Square LED Surface Mount Down Lights

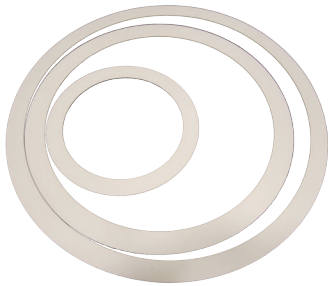
	6 inch Square LED Surface Mount Down Light	8 inch Square LED Surface Mount Down Light	10 inch Square LED Surface Mount Down Light	12 inch Square LED Surface Mount Down Light
Product Codes	LVLDL-SS-06-XX-WH-L	LVLDL-SS-08-XX-WH-L	LVLDL-SS-10-XX-WH-L	LVLDL-SS-12-XX-WH-L
LED Color	White			
Color Temperature CCT	Warm White 3000K, Neutral White 4000K			
Input Voltage	120V			
Power Consumption (W)	11	14	17	22
<b>Lumens:</b> Warm White (WW) Neutral White (NW)	880 900	1000 1050	1200 1250	1800 1850
<b>Luminous Efficacy (LPW):</b> Warm White (WW) Neutral White (NW)	80 82	71 75	70 73	82 84
Color Rendering Index	>80			
Dimmable	Yes			
Life Span (hours)	50,000 hrs			
LEDs	Epistar			
Appearance Size	6" W x 1" H (152mm W x 25mm H)	8" W x 1" H (203mm W x 25mm H)	10" W x 1" H (254mm W x 25mm H)	12" W x 1" H (305mm W x 25mm H)

XX = LED Color: WW-3000K, NW-4000K



# TRIM AND BEAUTY RINGS

## Beauty Rings For LED Thin Line Down Light Gen III



Used to cover gaps or cracks in the ceiling, caused by the removal of larger down lights.

Size	Part Number
3"	LVLDL-BR-3-L3
4"	LVLDL-BR-4-L3
6"	LVLDL-BR-6-L3
8"	LVLDL-BR-8-L3
10"	LVLDL-BR-10-L3

† White finish only.

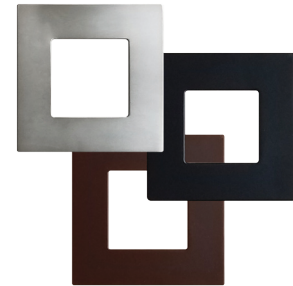
## Trim Rings For LED Thin Line Down Light Gen III



Size	Part Number
3"	LVLDL-03-TR-XX-L3
4"	LVLDL-04-TR-XX-L3
6"	LVLDL-06-TR-XX-L3
8"	LVLDL-08-TR-XX-L3
10"	LVLDL-10-TR-XX-L3

† XX=Trim Color: Black (BK), Bronze (BZ), Brushed Nickel (BN)

## Trim Rings For LED Thin Line Square Down Light Gen III



Size	Part Number
4"	LVLDL-04S-TR-XX-L3
6"	LVLDL-06S-TR-XX-L3

† XX=Trim Color: Black (BK), Bronze (BZ), Brushed Nickel (BN).

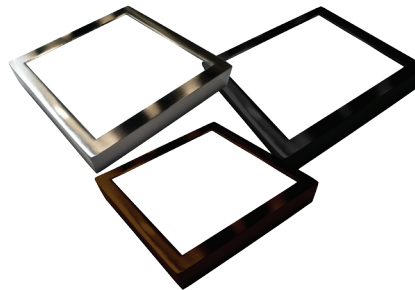
## Trim Rings For Round LED Surface Mount Down Lights



Size	Part Number
6"	LVLDL-SR-06-TR-XX-L
8"	LVLDL-SR-08-TR-XX-L
10"	LVLDL-SR-10-TR-XX-L
12"	LVLDL-SR-12-TR-XX-L

† XX=Trim Color: Black (BK), Bronze (BZ), Brushed Nickel (BN).

## Trim Rings For Square LED Surface Mount Down Lights



Size	Part Number
6"	LVLDL-SS-06-TR-XX-L
8"	LVLDL-SS-08-TR-XX-L
10"	LVLDL-SS-10-TR-XX-L
12"	LVLDL-SS-12-TR-XX-L

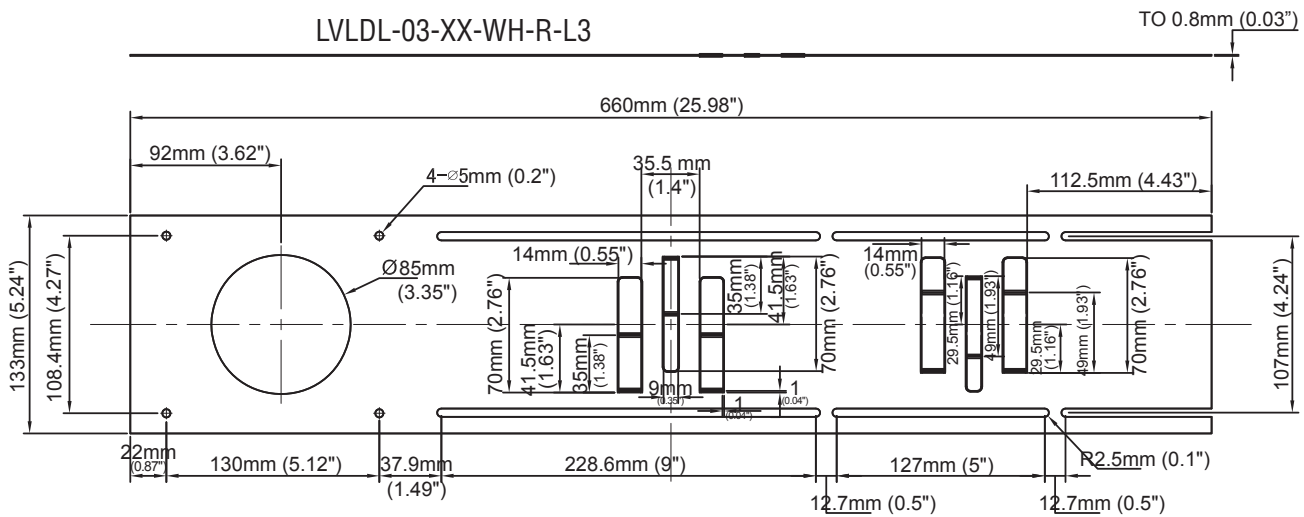
† XX=Trim Color: Black (BK), Bronze (BZ), Brushed Nickel (BN)

# CONSTRUCTION PLATES

(OPTIONAL FOR NEW CONSTRUCTION)

**LVL DL-CP-3-L3 could be used with:**

LVL DL-03-XX-WH-R-L3

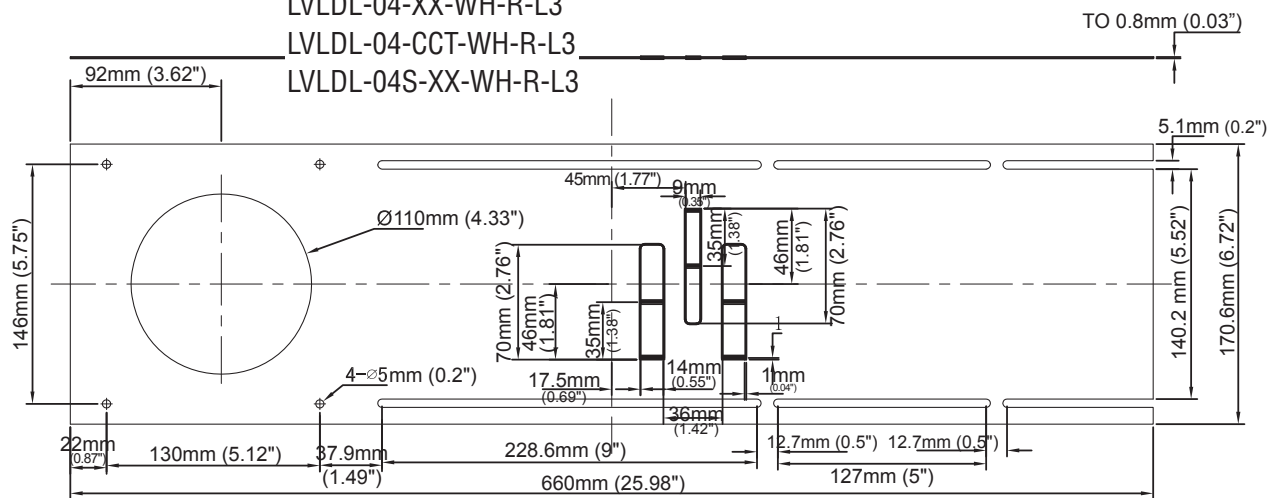


**LVL DL-CP-4-L3 could be used with:**

LVL DL-04-XX-WH-R-L3

LVL DL-04-CCT-WH-R-L3

LVL DL-04S-XX-WH-R-L3

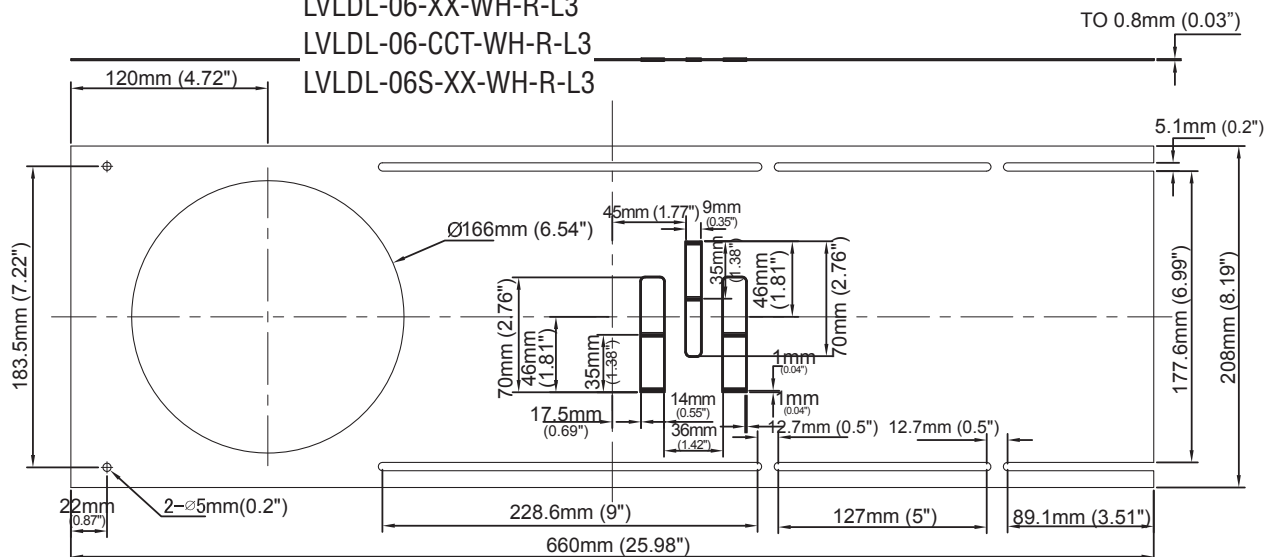


**LVL DL-CP-6-L3 could be used with:**

LVL DL-06-XX-WH-R-L3

LVL DL-06-CCT-WH-R-L3

LVL DL-06S-XX-WH-R-L3

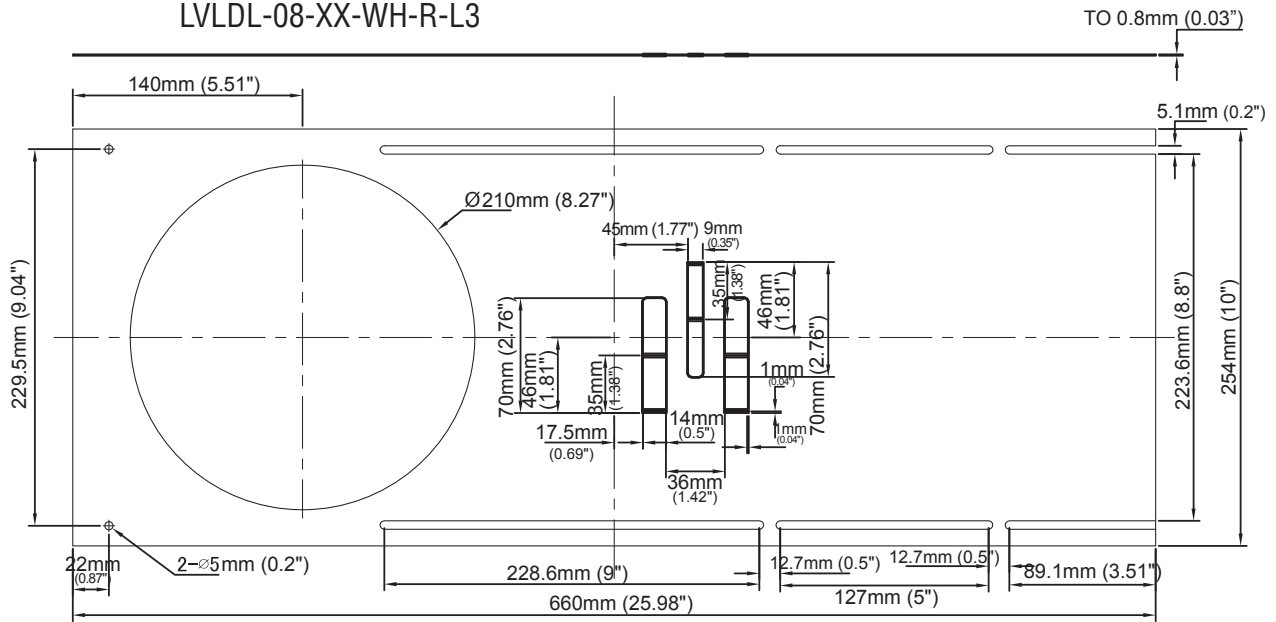


# CONSTRUCTION PLATES

(OPTIONAL FOR NEW CONSTRUCTION)

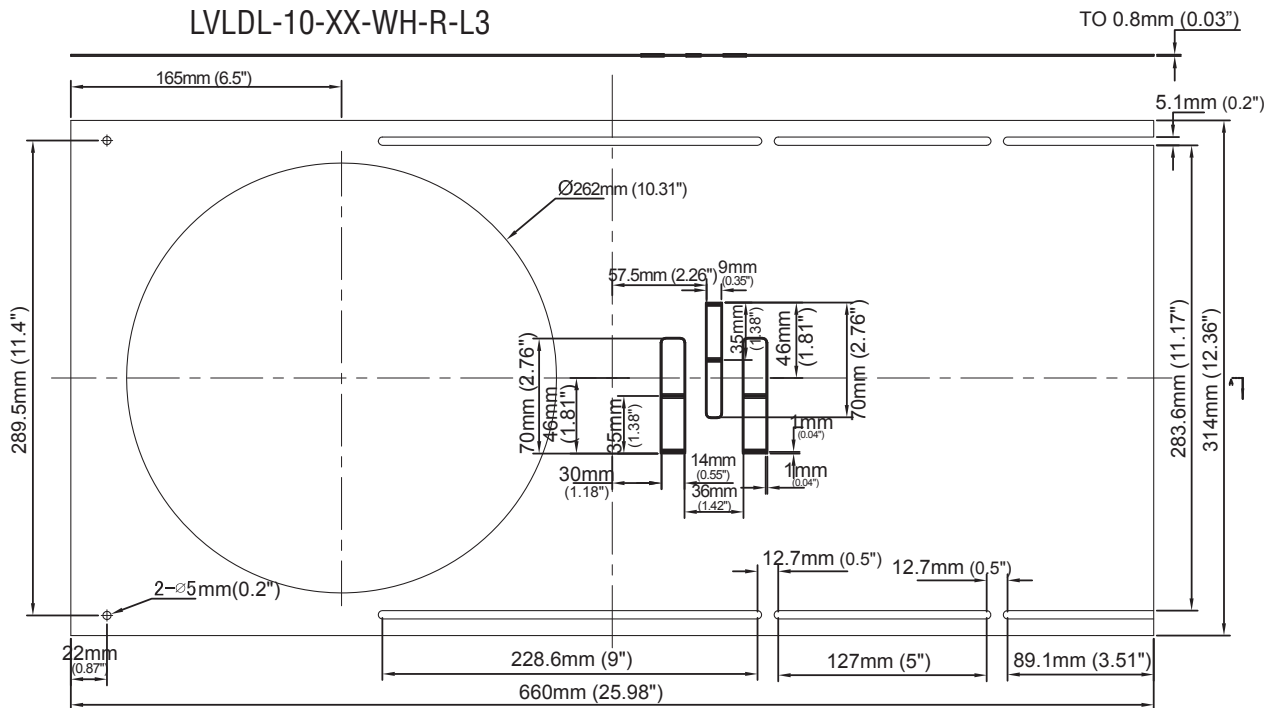
**LVLDL-CP-8-L3 could be used with:**

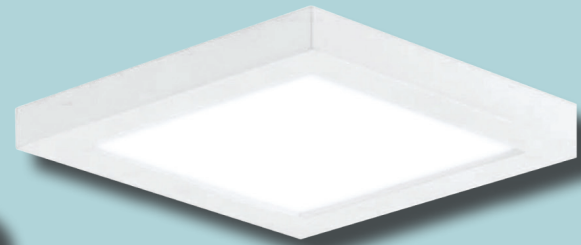
LVLDL-08-XX-WH-R-L3



**LVLDL-CP-10-L3 could be used with:**

LVLDL-10-XX-WH-R-L3





# NSL

NATIONAL SPECIALTY LIGHTING

[nslusa.com](http://nslusa.com)

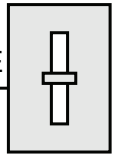
2299 Kenmore Ave., Tonawanda, NY 14207

Tel: 303-926-1100 • Toll-Free: 1-800-527-2923 • Fax: 800-527-4358 • [nslsales@nslusa.com](mailto:nslsales@nslusa.com)

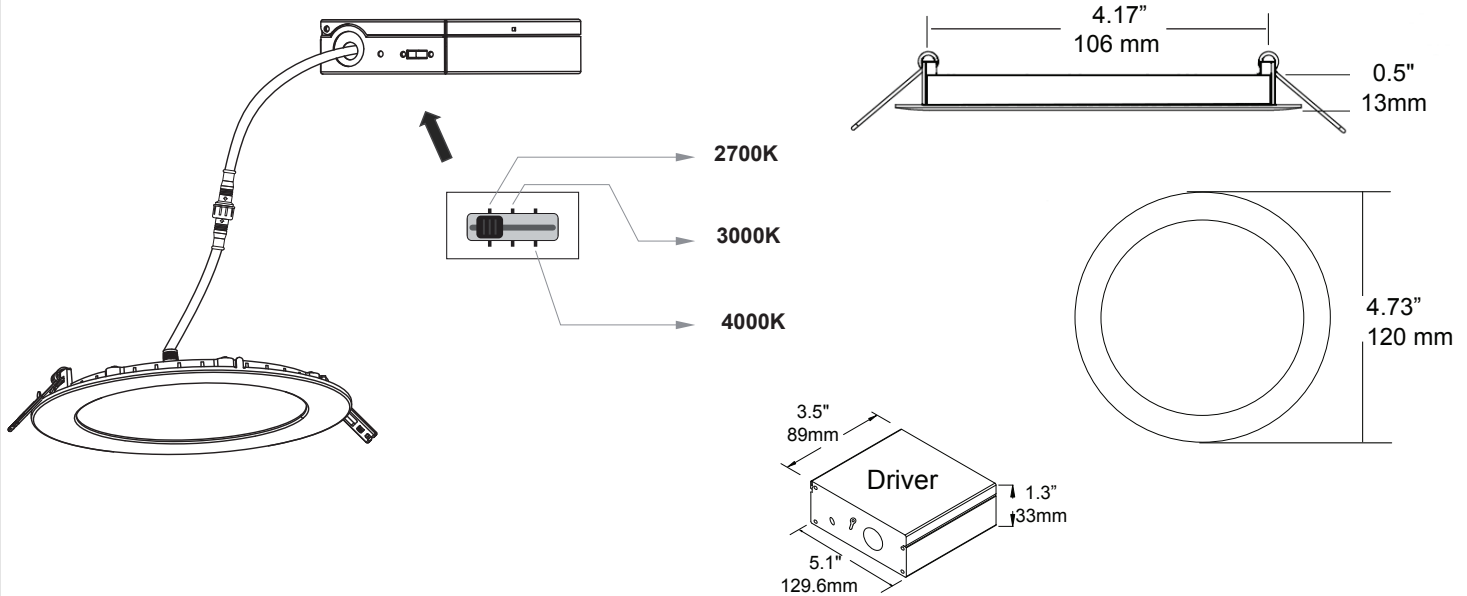
# 3 Color Temperature Thin-Line LED Down Light



DIMMABLE



4", 9 watts Thin-line LED Down Light. Designed for remodel and new construction, wet locations listed, Thin Line Downlights are a versatile and affordable choice for countless applications.



## Features

- Energy Star rated - up to 80% energy savings
- Dimmable to 5% with most standard dimmers
- 120° beam spread
- Adjustable colour temperature 2700K/3000K/4000K
- Two spring loaded clips to attach to any ceiling material
- White finish (interchangeable brushed nickel, black, bronze trim rings available – sold separately)
- Wet locations listed
- Temperature rating: -20°C-45°C
- No IC can required, for direct contact with insulation and combustible materials
- Connects directly to 120V power supply
- Optional 277V Step-Down Transformer (non-dimmable)
- 50,000 hour life
- 5 year limited warranty
- Airtight
- cETLus and Energy Star listed

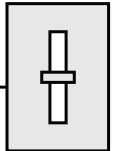
## Specifications

CCT	2700K/3000K/4000K
Input Voltage	100 - 120 V, 60 Hz
Output Power(W)	9 Watts
No. SMD2835 LEDs	48
Lumen (lm)	630
CRI	80+
Luminous Efficacy (lm/W)	70 lm/w
Approved Location	Wet
Dimmable	Yes
Life Span	> 50,000 hrs
Appearance Size	4.73" W x 0.5" D (120mm W x 13mm D)
Installation Hole Size	4.33" (110mm)

## Ordering Code:

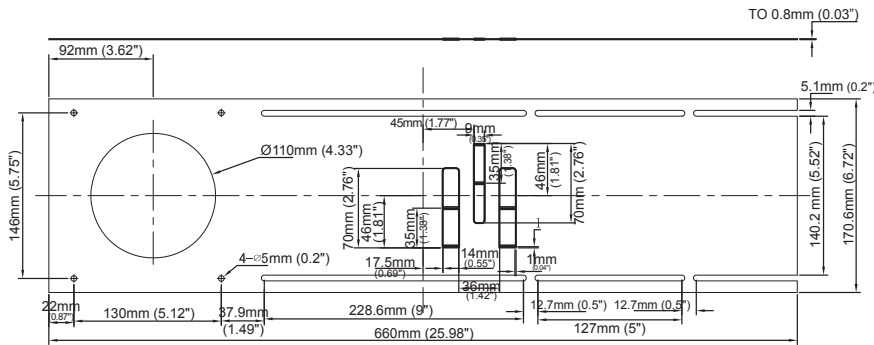
LVLDL-04-CCT-WH-R-L3

Project		Type	
Date		Contact	
Notes			



4", 9 watts Thin-line LED Down Light. Designed for remodel and new construction, wet locations listed, Thin Line Downlights are a versatile and affordable choice for countless applications.

## LVLDL-CP-4-L3 Construction Plate



Note: this item is sold separately.

## Compatible dimmers

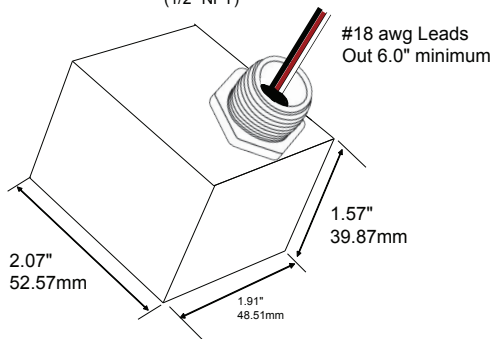
Dimmable to 5% with most standard dimmers

Lutron	C.L™ Dimmers
	DVELV-300
	SELV-3600P
	NTELV-300/600
	MAELV-300/600
Leviton	MRF2-6ND-120
	VPE04
	6615
	VPE06
	VRE06
	6672
	6674
IPE04	



## DLT-277 (non-dimmable)

Approx. Dimensions  
- 0.47" hreads above  
0.13" shoulder  
- Nipple Dia. 0.82"  
(1/2" NPT)



Note: this item is sold separately.

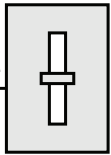
### 277V Specifications

Primary / Input	277V, 60Hz, 28W, 0.08A @ Full / Rated Load.
Secondary / Output	- Open Circuit = 130V ±2%, 0.4W - Full / Rated Load = 115V ±2%, 25VA (25W/ 0.22A resistive load)
Dielectric Strength	Winding to core 3000V, 60Hz, 1 sec.
Efficiency	88% typ. @ 277Vin, 25VA load.
Insulation System	Class A (105°C)
Environmental Temperature Rating	-20°C to + 40°C
MTBF (based on MIL Handbook 217F)	50 years @ rated specification.
Housing	Black Zytel FR50 (plastic)
Approvals	UL Listed to CSA C22.2 No. 66.1, 66.2 and UL5085-1, UL5085-2
Weight	0.75lbs.

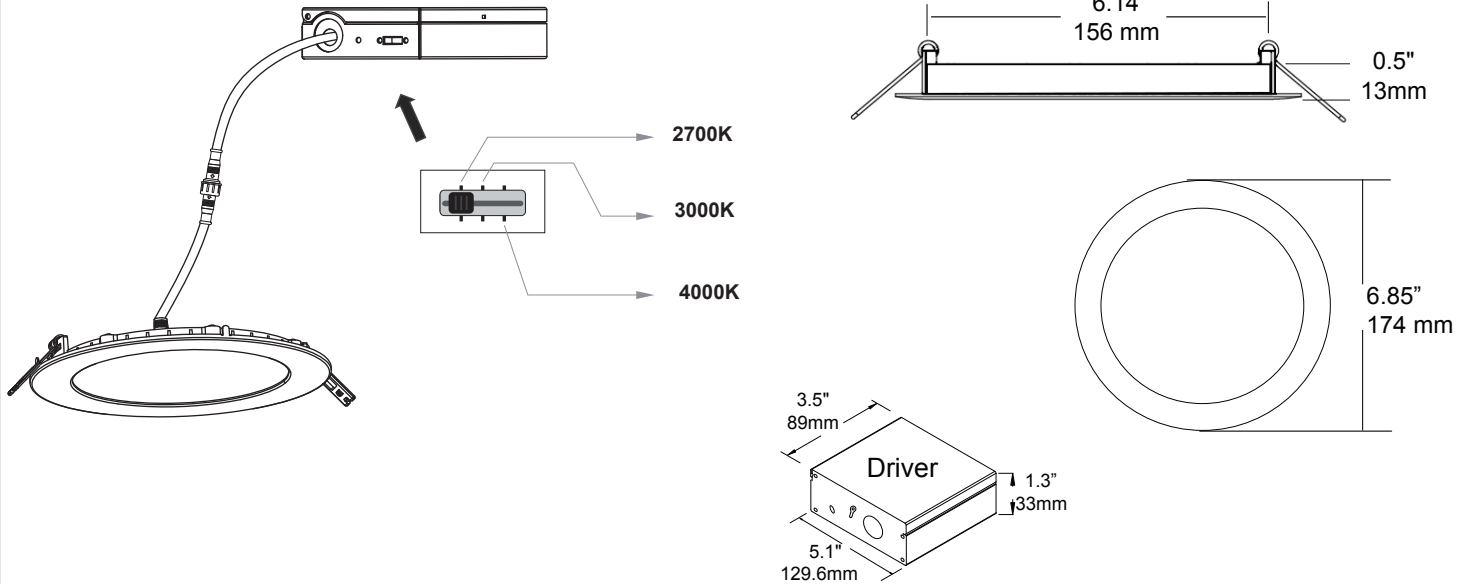
# 3 Color Temperature Thin-Line LED Down Light



DIMMABLE



6", 12 watts Thin-line LED Down Light. Designed for remodel and new construction, wet locations listed, Thin Line Downlights are a versatile and affordable choice for countless applications.



## Features

- Energy Star rated - up to 80% energy savings
- Dimmable to 5% with most standard dimmers
- 120° beam spread
- Adjustable colour temperature 2700K/3000K/4000K
- Two spring loaded clips to attach to any ceiling material
- White finish (interchangeable brushed nickel, black, bronze trim rings available – sold separately)
- Wet locations listed
- Temperature rating: -20°C-45°C
- No IC can required, for direct contact with insulation and combustible materials
- Connects directly to 120V power supply
- Optional 277V Step-Down Transformer (non-dimmable)
- 50,000 hour life
- 5 year limited warranty
- Airtight
- cETLus and Energy Star listed

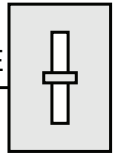
## Specifications

CCT	2700K/3000K/4000K
Input Voltage	100 - 120 V, 60 Hz
Output Power(W)	12 Watts
No. SMD2835 LEDs	72
Lumen (lm)	840
CRI	80+
Luminous Efficacy (lm/W)	70 lm/w
Approved Location	Wet
Dimmable	Yes
Life Span	> 50,000 hrs
Appearance Size	6.85" W x 0.5" D (174mm W x 13mm D)
Installation Hole Size	6.54" (166mm)

## Ordering Code:

LVLDL-06-CCT-WH-R-L3

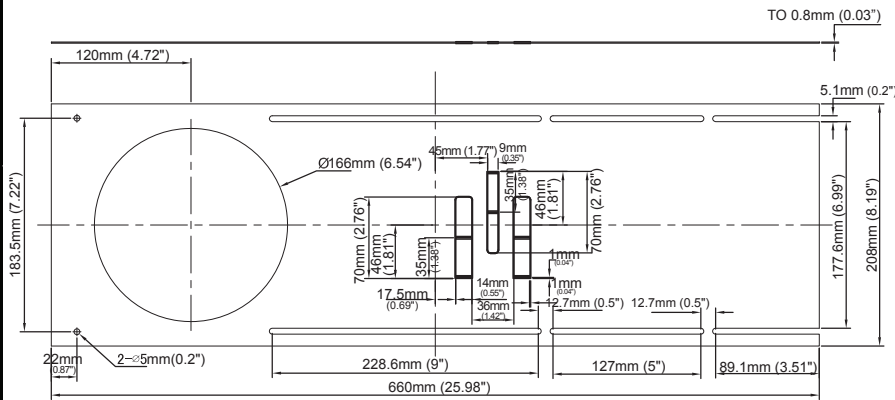
Project		Type	
Date		Contact	
Notes			



6", 12 watts Thin-line LED Down Light. Designed for remodel and new construction, wet locations listed, Thin Line Downlights are a versatile and affordable choice for countless applications.

## LVLDDL-CP-6-L3

### Construction Plate



Note: this item is sold separately.

## Compatible dimmers

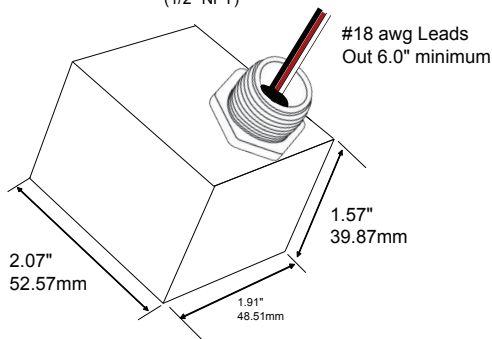
Dimmable to 5% with most standard dimmers

Lutron	C.L™ Dimmers
	DVELV-300
	SELV-3600P
	NTELV-300/600
	MAELV-300/600
Leviton	MRF2-6ND-120
	VPE04
	6615
	VPE06
	VRE06
	6672
	6674
IPE04	



## DLT-277 (non-dimmable)

Approx. Dimensions  
 - 0.47" heads above  
 - 0.13" shoulder  
 - Nipple Dia. 0.82"  
 (1/2" NPT)

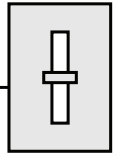


Note: this item is sold separately.

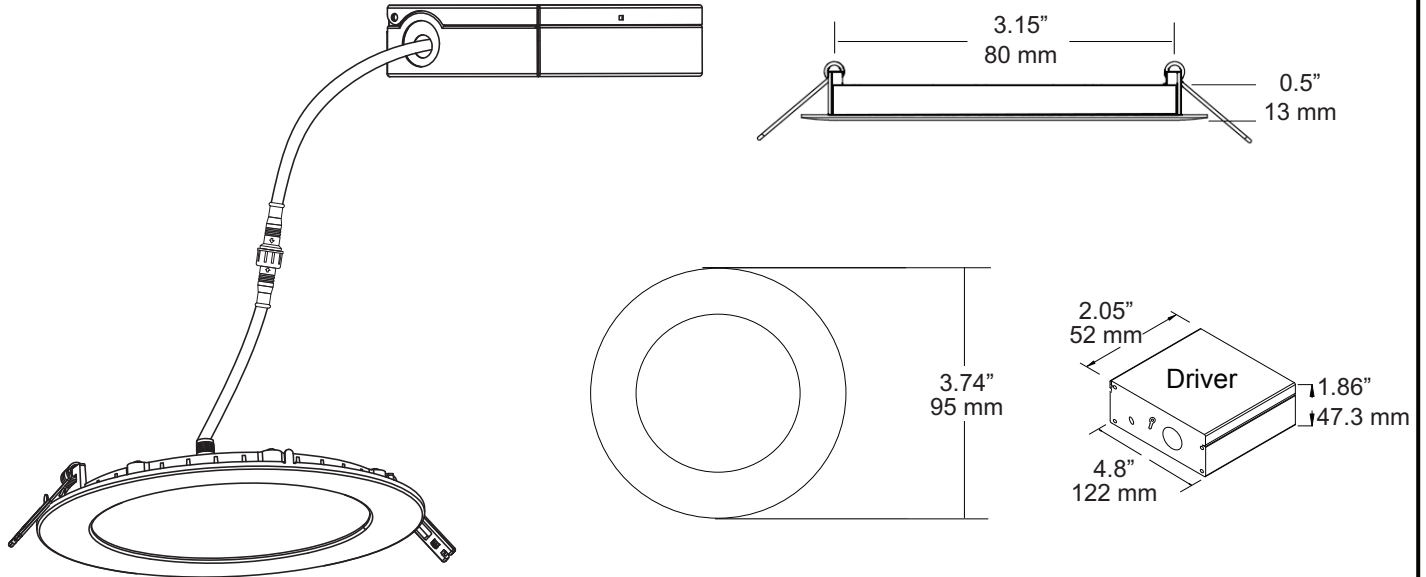
### 277V Specifications

Primary / Input	277V, 60Hz, 28W, 0.08A @ Full / Rated Load.
Secondary / Output	- Open Circuit = 130V ±2%, 0.4W - Full / Rated Load = 115V ±2%, 25VA (25W/ 0.22A resistive load)
Dielectric Strength	Winding to core 3000V, 60Hz, 1 sec.
Efficiency	88% typ. @ 277Vin, 25VA load.
Insulation System	Class A (105°C)
Environmental Temperature Rating	-20°C to + 40°C
MTBF (based on MIL Handbook 217F)	50 years @ rated specification.
Housing	Black Zytel FR50 (plastic)
Approvals	UL Listed to CSA C22.2 No. 66.1, 66.2 and UL5085-1, UL5085-2
Weight	0.75lbs.





3", 6 watts Thin-line LED Down Light. Designed for remodel and new construction, wet locations listed, Thin Line Downlights are a versatile and affordable choice for countless applications.



### Features

- Energy Star rated - up to 80% energy savings
- Dimmable to 5% with most standard dimmers
- Available in standard power and high power versions
- 120° beam spread
- Warm White and Neutral White color temperatures
- Two spring loaded clips to attach to any ceiling material
- White finish (interchangeable brushed nickel, black, bronze trims available - sold separately)
- Wet locations listed
- No IC can required, for direct contact with insulation and combustibile materials
- Temperature rating: -20°C-45°C
- Connects directly to 120V power supply
- Optional 277V Step-Down Transformer (non-dimmable)
- 50,000 hour life
- 5 year limited warranty
- Airtight
- cETLus and Energy Star listed

### Specifications

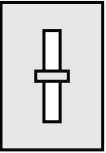
LED Color	White
CCT	WW (3000K) NW (4000K)
Input Voltage	100 - 120 V, 60 Hz
Output Power(W)	6 Watts
No. SMD2835 LEDs	36
Lumen (lm)	420 lm
CRI	>80
Luminous Efficacy (lm/W)	70 lm/w
Approved Location	Wet
Life Span	> 50,000 hrs
Appearance Size	3.74" W x 0.5" D (95mm W x 13mm D)
Installation Hole Size	3.35" (85mm)

### Ordering Code:

LVLDDL-03-XX-WH-R-L3

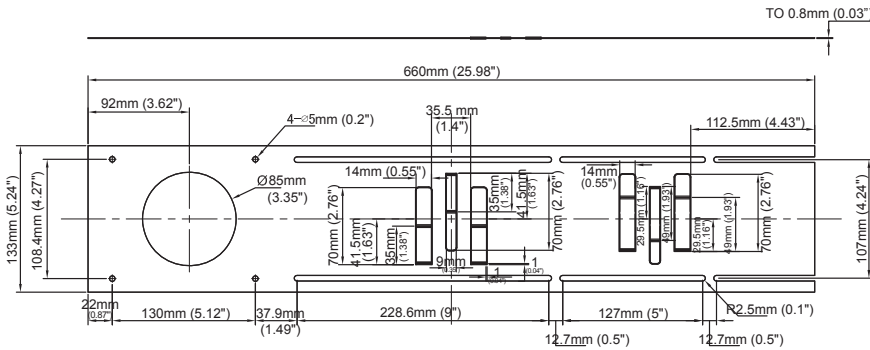
Project		Type	
Date		Contact	
Notes			

DIMMABLE



3", 6 watts Thin-line LED Down Light. Designed for remodel and new construction, wet locations listed, Thin Line Downlights are a versatile and affordable choice for countless applications.

### LVLDL-CP-3-L3 Construction Plate



Note: this item is sold separately.

### Compatible dimmers

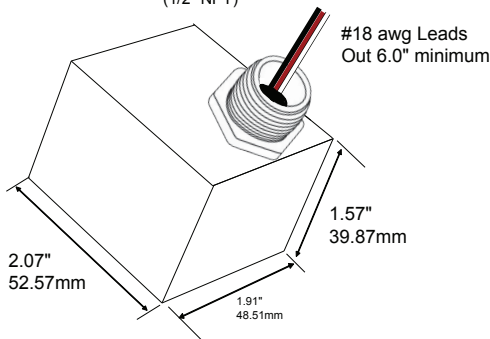
Dimmable to 5% with most standard dimmers

Lutron	C.L™ Dimmers
	DVELV-300
	SELV-3600P
	NTELV-300/600
	MAELV-300/600
Leviton	MRF2-6ND-120
	VPE04
	6615
	VPE06
	VRE06
	6672
	6674
IPE04	



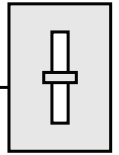
### DLT-277 (non-dimmable)

Approx. Dimensions  
 - 0.47" threads above  
 - 0.13" shoulder  
 - Nipple Dia. 0.82"  
 (1/2" NPT)

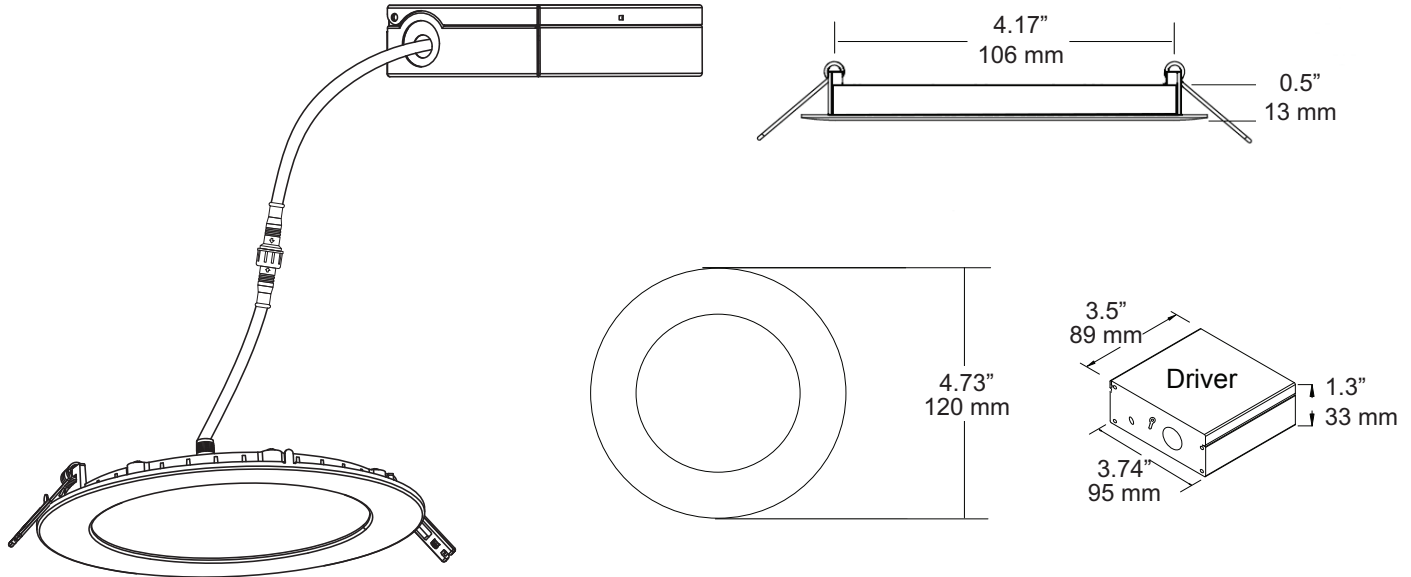


### 277V Specifications

Primary / Input	277V, 60Hz, 28W, 0.08A @ Full / Rated Load.
Secondary / Output	- Open Circuit = 130V ±2%, 0.4W - Full / Rated Load = 115V ±2%, 25VA (25W/ 0.22A resistive load)
Dielectric Strength	Winding to core 3000V, 60Hz, 1 sec.
Efficiency	88% typ. @ 277Vin, 25VA load.
Insulation System	Class A (105°C)
Environmental Temperature Rating	-20°C to + 40°C
MTBF (based on MIL Handbook 217F)	50 years @ rated specification.
Housing	Black Zytel FR50 (plastic)
Approvals	UL Listed to CSA C22.2 No. 66.1, 66.2 and UL5085-1, UL5085-2
Weight	0.75lbs.



4", 9 watts Thin-line LED Down Light. Designed for remodel and new construction, wet locations listed, Thin Line Downlights are a versatile and affordable choice for countless applications.



## Features

- Energy Star rated - up to 80% energy savings
- Dimmable to 5% with most standard dimmers
- 120° beam spread
- Warm White and Neutral White color temperatures
- Two spring loaded clips to attach to any ceiling material
- White finish (interchangeable brushed nickel, black, bronze trims available - sold separately)
- Wet locations listed
- No IC can required, for direct contact with insulation and combustibile materials
- Temperature rating: -20°C-45°C
- Connects directly to 120V power supply
- Optional 277V Step-Down Transformer (non-dimmable)
- 50,000 hour life
- 5 year limited warranty
- Airtight
- cETLus and Energy Star listed

## Specifications

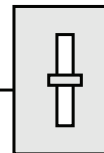
LED Color	White
CCT	WW (3000K) NW (4000K)
Input Voltage	100 - 120 V, 60 Hz
Output Power(W)	9 Watts
No. SMD2835 LEDs	48
Lumen (lm)	630 lm
CRI	>80
Luminous Efficacy (lm/W)	70 lm/w
Approved Location	Wet
Life Span	> 50,000 hrs
Appearance Size	4.73" W x 0.5" D (120mm W x 13mm D)
Installation Hole Size	4.33" (110mm)

## Ordering Code:

LVLDDL-04-XX-WH-R-L3

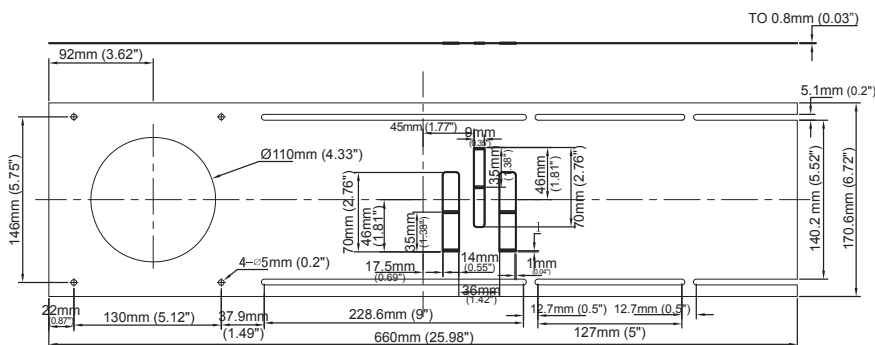
Project		Type	
Date		Contact	
Notes			

DIMMABLE



4", 9 watts Thin-line LED Down Light. Designed for remodel and new construction, wet locations listed, Thin Line Downlights are a versatile and affordable choice for countless applications.

### LVLDL-CP-4-L3 Construction Plate



Note: this item is sold separately.

### Compatible dimmers

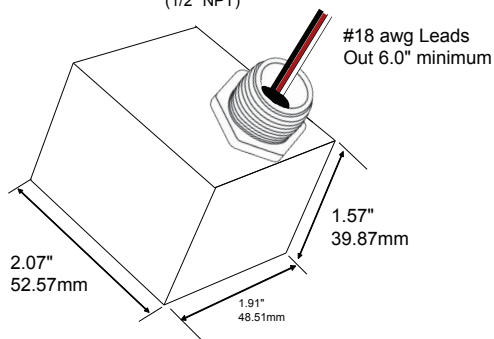
Dimmable to 5% with most standard dimmers

Lutron	C.L™ Dimmers
	DVELV-300
	SELV-3600P
	NTELV-300/600
	MAELV-300/600
Leviton	MRF2-6ND-120
	VPE04
	6615
	VPE06
	VRE06
	6672
	6674
IPE04	

### DLT-277 (non-dimmable)

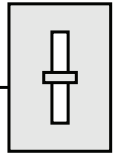


Approx. Dimensions  
 - 0.47" threads above  
 0.13" shoulder  
 - Nipple Dia. 0.82"  
 (1/2" NPT)

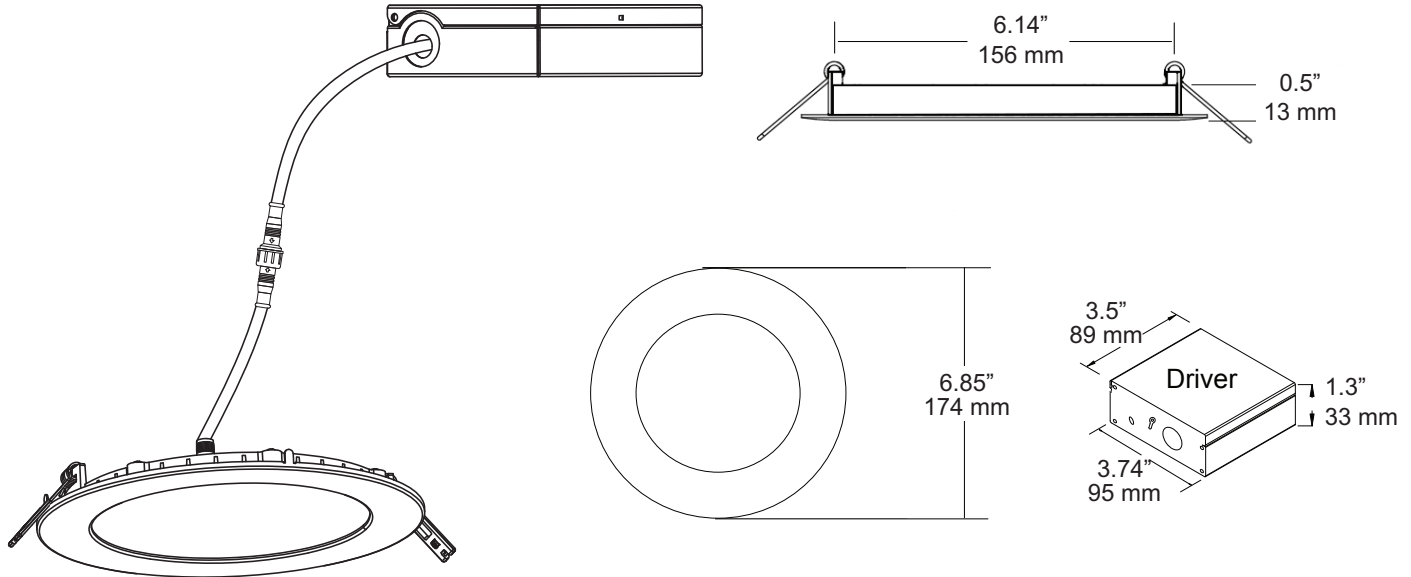


### 277V Specifications

Primary / Input	277V, 60Hz, 28W, 0.08A @ Full / Rated Load.
Secondary / Output	- Open Circuit = 130V ±2%, 0.4W - Full / Rated Load = 115V ±2%, 25VA (25W/ 0.22A resistive load)
Dielectric Strength	Winding to core 3000V, 60Hz, 1 sec.
Efficiency	88% typ. @ 277Vin, 25VA load.
Insulation System	Class A (105°C)
Environmental Temperature Rating	-20°C to + 40°C
MTBF (based on MIL Handbook 217F)	50 years @ rated specification.
Housing	Black Zytel FR50 (plastic)
Approvals	UL Listed to CSA C22.2 No. 66.1, 66.2 and UL5085-1, UL5085-2
Weight	0.75lbs.



6", 12 watts Thin-line LED Down Light. Designed for remodel and new construction, wet locations listed, Thin Line Downlights are a versatile and affordable choice for countless applications.



### Features

- Energy Star rated - up to 80% energy savings
- Dimmable to 5% with most standard dimmers
- 120° beam spread
- Warm White and Neutral White color temperatures
- Two spring loaded clips to attach to any ceiling material
- White finish (interchangeable brushed nickel, black, bronze trims available - sold separately)
- Wet locations listed
- No IC can required, for direct contact with insulation and combustibile materials
- Temperature rating: -20°C-45°C
- Connects directly to 120V power supply
- Optional 277V Step-Down Transformer (non-dimmable)
- 50,000 hour life
- 5 year limited warranty
- Airtight
- cETLus and Energy Star listed

### Specifications

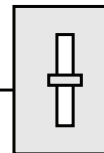
LED Color	White
CCT	WW (3000K) NW (4000K)
Input Voltage	100 - 120 V, 60 Hz
Output Power(W)	12 Watts
No. SMD2835 LEDs	72
Lumen (lm)	840 lm
CRI	>80
Luminous Efficacy (lm/W)	70 lm/w
Approved Location	Wet
Life Span	> 50,000 hrs
Appearance Size	6.85" W x 0.5" D (174mm W x 13mm D)
Installation Hole Size	6.54" (166mm)

### Ordering Code:

LVLDDL-06-XX-WH-R-L3

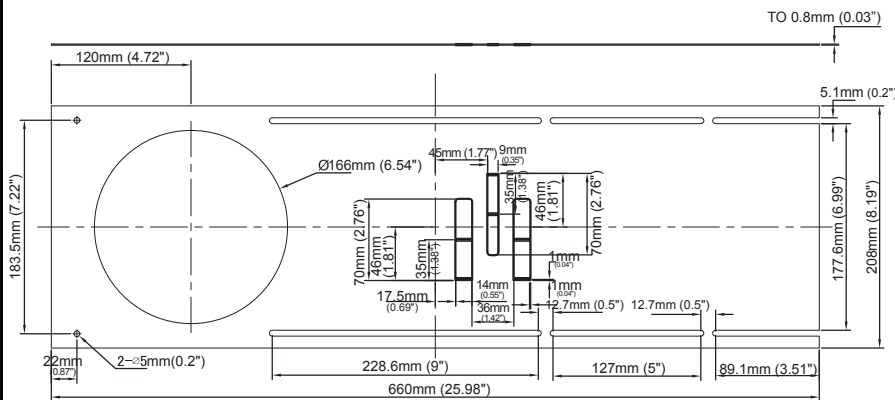
Project		Type	
Date		Contact	
Notes			

DIMMABLE



6", 12 watts Thin-line LED Down Light. Designed for remodel and new construction, wet locations listed, Thin Line Downlights are a versatile and affordable choice for countless applications.

### LVLDL-CP-6-L3 Construction Plate



Note: this item is sold separately.

### Compatible dimmers

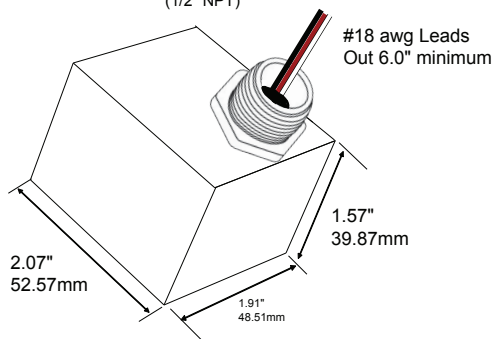
Dimmable to 5% with most standard dimmers

Lutron	C.L™ Dimmers
	DVELV-300
	SELV-3600P
	NTELV-300/600
	MAELV-300/600
Leviton	MRF2-6ND-120
	VPE04
	6615
	VPE06
	VRE06
	6672
	6674
IPE04	

### DLT-277 (non-dimmable)

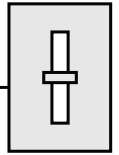


Approx. Dimensions  
 - 0.47" threads above  
 - 0.13" shoulder  
 - Nipple Dia. 0.82"  
 (1/2" NPT)

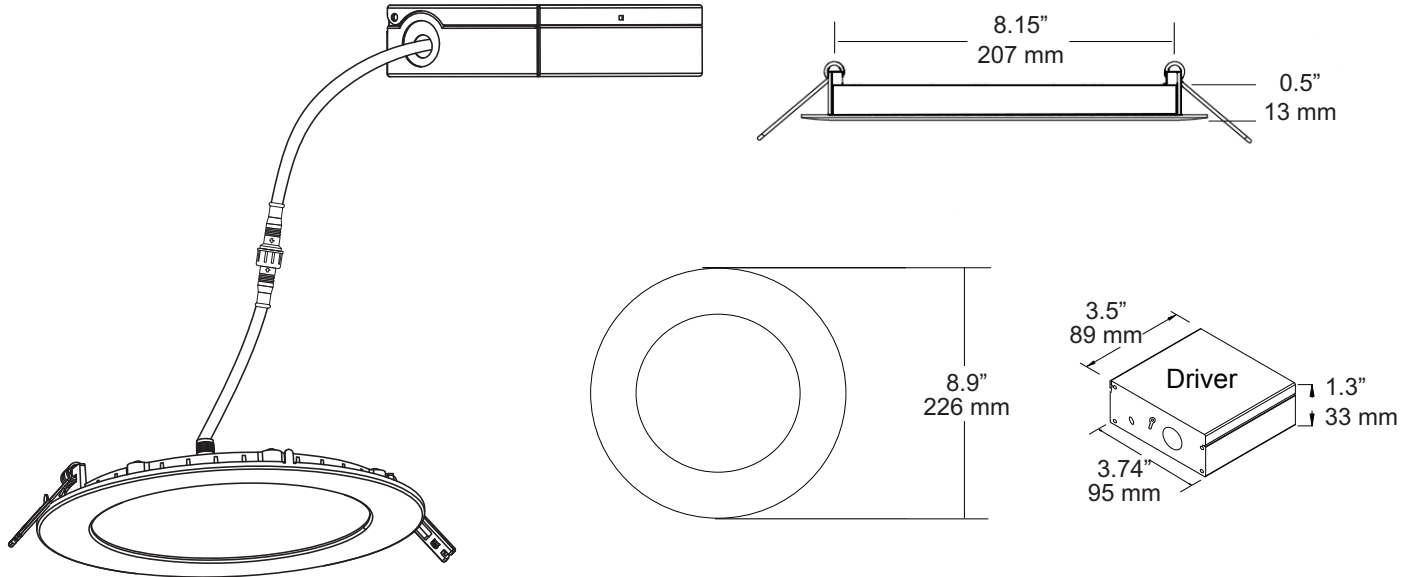


### 277V Specifications

Primary / Input	277V, 60Hz, 28W, 0.08A @ Full / Rated Load.
Secondary / Output	- Open Circuit = 130V ±2%, 0.4W - Full / Rated Load = 115V ±2%, 25VA (25W/ 0.22A resistive load)
Dielectric Strength	Winding to core 3000V, 60Hz, 1 sec.
Efficiency	88% typ. @ 277Vin, 25VA load.
Insulation System	Class A (105°C)
Environmental Temperature Rating	-20°C to + 40°C
MTBF (based on MIL Handbook 217F)	50 years @ rated specification.
Housing	Black Zytel FR50 (plastic)
Approvals	UL Listed to CSA C22.2 No. 66.1, 66.2 and UL5085-1, UL5085-2
Weight	0.75lbs.



8", 15 watts Thin-line LED Down Light. Designed for remodel and new construction, wet locations listed, Thin Line Downlights are a versatile and affordable choice for countless applications.



### Features

- Energy Star rated - up to 80% energy savings
- Dimmable to 5% with most standard dimmers
- 120° beam spread
- Warm White and Neutral White color temperatures
- Two spring loaded clips to attach to any ceiling material
- White finish (interchangeable brushed nickel, black, bronze trims available - sold separately)
- Wet locations listed
- No IC can required, for direct contact with insulation and combustibile materials
- Temperature rating: -20°C-45°C
- Connects directly to 120V power supply
- Optional 277V Step-Down Transformer (non-dimmable)
- 50,000 hour life
- 5 year limited warranty
- Airtight
- cETLus and Energy Star listed

### Specifications

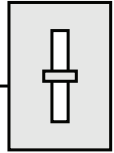
LED Color	White
CCT	WW (3000K) NW (4000K)
Input Voltage	100 - 120 V, 60 Hz
Output Power(W)	15 Watts
No. SMD2835 LEDs	96
Lumen (lm)	1050 lm
CRI	>80
Luminous Efficacy (lm/W)	70 lm/w
Approved Location	Wet
Life Span	> 50,000 hrs
Appearance Size	8.9" W x 0.5" D (226mm W x 13mm D)
Installation Hole Size	8.27" (210mm)

### Ordering Code:

LVLDDL-08-XX-WH-R-L3

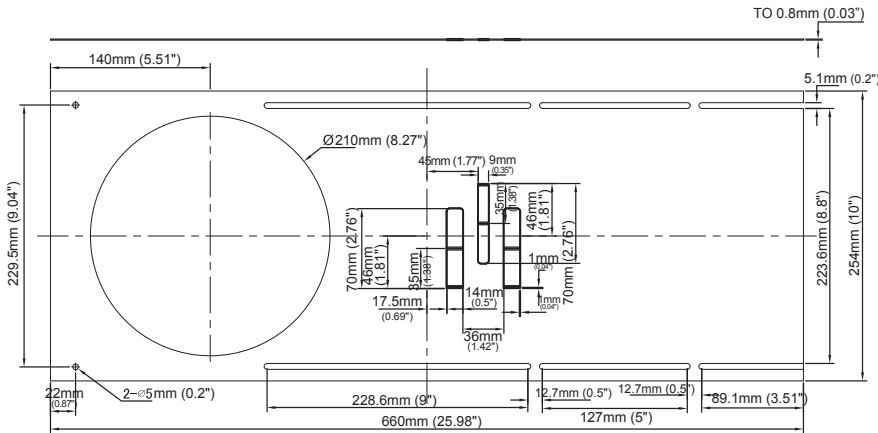
Project		Type	
Date		Contact	
Notes			

**DIMMABLE**



8", 15 watts Thin-line LED Down Light. Designed for remodel and new construction, wet locations listed, Thin Line Downlights are a versatile and affordable choice for countless applications.

## LVLDL-CP-8-L3



### Compatible dimmers

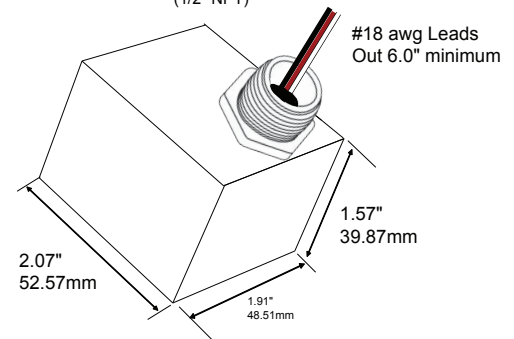
Dimmable to 5% with most standard dimmers

Lutron	C.L™ Dimmers
	DVELV-300
	SELV-3600P
	NTELV-300/600
	MAELV-300/600
Leviton	MRF2-6ND-120
	VPE04
	6615
	VPE06
	VRE06
	6672
	6674
IPE04	



### DLT-277 (non-dimmable)

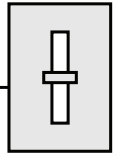
Approx. Dimensions  
 - 0.47" threads above  
 - 0.13" shoulder  
 - Nipple Dia. 0.82"  
 (1/2" NPT)



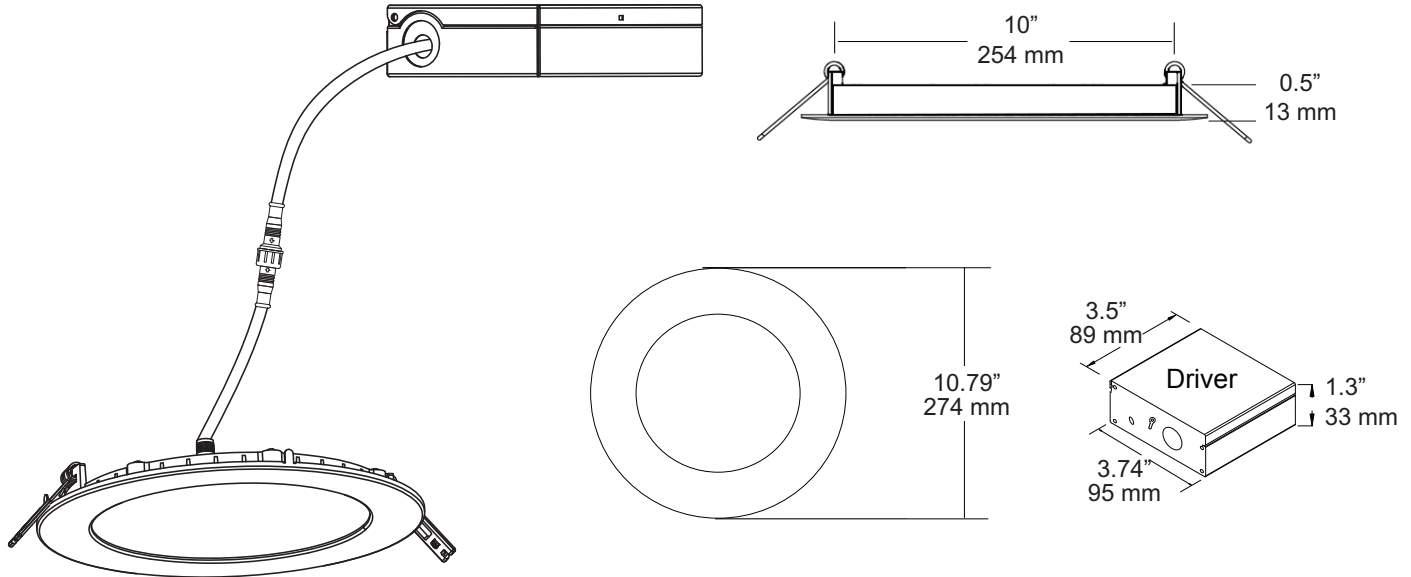
### 277V Specifications

Primary / Input	277V, 60Hz, 28W, 0.08A @ Full / Rated Load.
Secondary / Output	- Open Circuit = 130V ±2%, 0.4W - Full / Rated Load = 115V ±2%, 25VA (25W/ 0.22A resistive load)
Dielectric Strength	Winding to core 3000V, 60Hz, 1 sec.
Efficiency	88% typ. @ 277Vin, 25VA load.
Insulation System	Class A (105°C)
Environmental Temperature Rating	-20°C to + 40°C
MTBF (based on MIL Handbook 217F)	50 years @ rated specification.
Housing	Black Zytel FR50 (plastic)
Approvals	UL Listed to CSA C22.2 No. 66.1, 66.2 and UL5085-1, UL5085-2
Weight	0.75lbs.





10", 20 watts Thin-line LED Down Light. Designed for remodel and new construction, wet locations listed, Thin Line Downlights are a versatile and affordable choice for countless applications.



### Features

- Energy Star rated - up to 80% energy savings
- Dimmable to 5% with most standard dimmers
- 120° beam spread
- Warm White and Neutral White color temperatures
- Two spring loaded clips to attach to any ceiling material
- White finish (interchangeable brushed nickel, black, bronze trims available - sold separately)
- Wet locations listed
- No IC can required, for direct contact with insulation and combustibile materials
- Temperature rating: -20°C-45°C
- Connects directly to 120V power supply
- Optional 277V Step-Down Transformer (non-dimmable)
- 50,000 hour life
- 5 year limited warranty
- Airtight
- cETLus and Energy Star listed

### Specifications

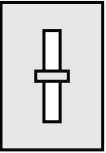
LED Color	White
CCT	WW (3000K) NW (4000K)
Input Voltage	100 - 120 V, 60 Hz
Output Power(W)	20 Watts
No. SMD2835 LEDs	120
Lumen (lm)	1400 lm
CRI	>80
Luminous Efficacy (lm/W)	70 lm/w
Approved Location	Wet
Life Span	> 50,000 hrs
Appearance Size	10.79" W x 0.5" D (274mm W x 13mm D)
Installation Hole Size	10.31" (262mm)

### Ordering Code:

LVLDDL-10-XX-WH-R-L3

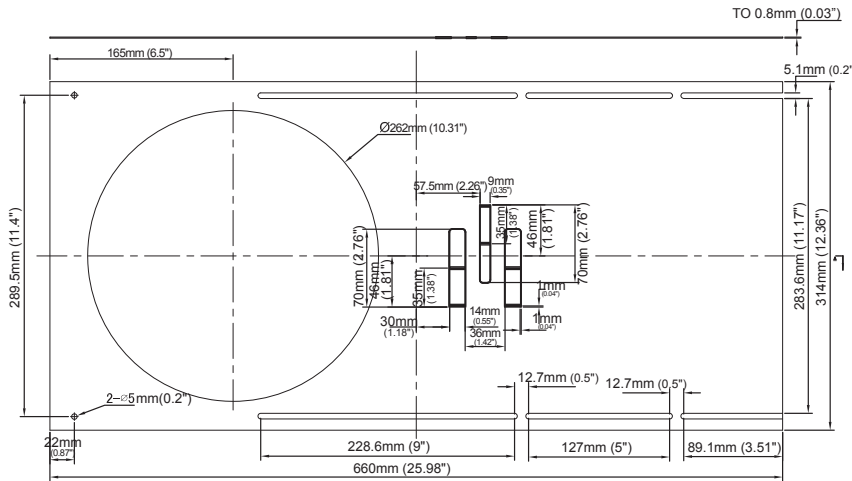
Project		Type	
Date		Contact	
Notes			

DIMMABLE



10", 20 watts Thin-line LED Down Light. Designed for remodel and new construction, wet locations listed, Thin Line Downlights are a versatile and affordable choice for countless applications.

## LVLDL-CP-10-L3



### Compatible dimmers

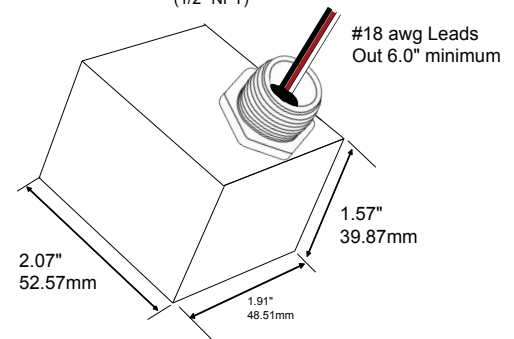
Dimmable to 5% with most standard dimmers

Lutron	C.L™ Dimmers
	DVELV-300
	SELV-3600P
	NTELV-300/600
	MAELV-300/600
Leviton	MRF2-6ND-120
	VPE04
	6615
	VPE06
	VRE06
	6672
	6674
IPE04	



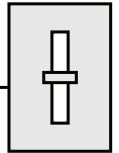
### DLT-277 (non-dimmable)

Approx. Dimensions  
- 0.47" threads above  
- 0.13" shoulder  
- Nipple Dia. 0.82"  
(1/2" NPT)

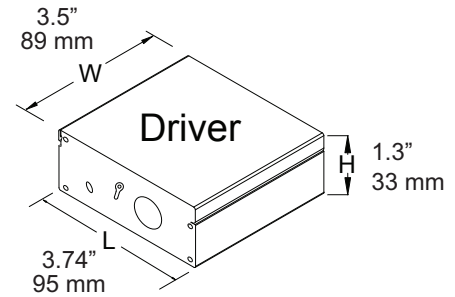
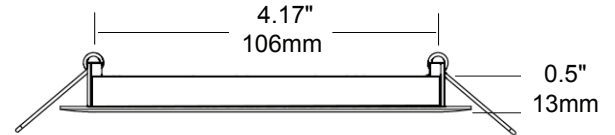
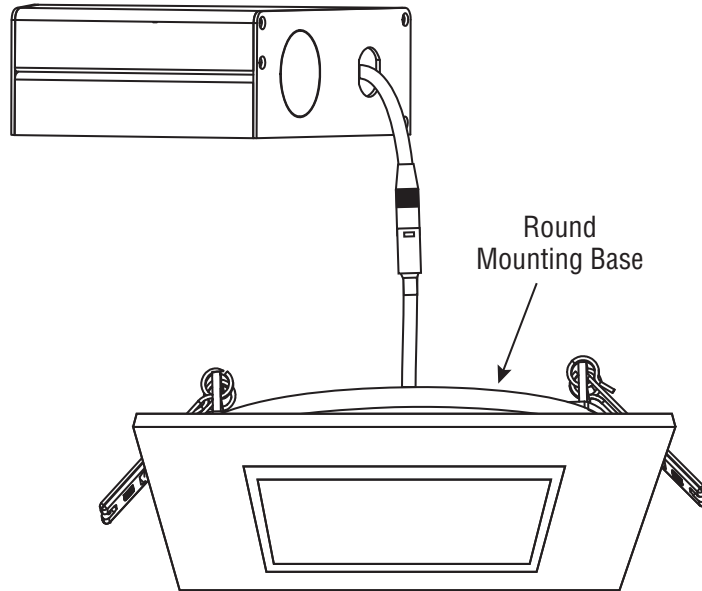


### 277V Specifications

Primary / Input	277V, 60Hz, 28W, 0.08A @ Full / Rated Load.
Secondary / Output	- Open Circuit = 130V ±2%, 0.4W - Full / Rated Load = 115V ±2%, 25VA (25W/ 0.22A resistive load)
Dielectric Strength	Winding to core 3000V, 60Hz, 1 sec.
Efficiency	88% typ. @ 277Vin, 25VA load.
Insulation System	Class A (105°C)
Environmental Temperature Rating	-20°C to + 40°C
MTBF (based on MIL Handbook 217F)	50 years @ rated specification.
Housing	Black Zytel FR50 (plastic)
Approvals	UL Listed to CSA C22.2 No. 66.1, 66.2 and UL5085-1, UL5085-2
Weight	0.75lbs.



4", 9 watts LED Thin-Line Square Down Light. Designed for remodel and new construction, wet locations listed, Thin Line Downlights are a versatile and affordable choice for countless applications.



### Features

- Energy Star rated - up to 80% energy savings
- Dimmable to 5% with most standard dimmers
- 120° beam spread
- Warm White and Neutral White color temperatures
- Two spring loaded clips to attach to any ceiling material
- White finish (interchangeable brushed nickel, black, bronze trims available - sold separately)
- Wet locations listed
- No IC can required, for direct contact with insulation and combustibile materials
- Temperature rating: -20°C-45°C
- Connects directly to 120V power supply
- Optional 277V Step-Down Transformer (non-dimmable)
- 50,000 hour life
- 5 year limited warranty
- Airtight
- cETLus and Energy Star listed

### Specifications

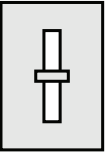
LED Color	White
CCT	WW (3000K) NW (4000K)
Input Voltage	100 - 120 V, 60 Hz
Output Power(W)	9 Watts
No. SMD2835 LEDs	48
Lumen (lm)	630 lm
CRI	>80
Luminous Efficacy (lm/W)	70 lm/w
Approved Location	Wet
Life Span	> 50,000 hrs
Appearance Size	4.73" W x 0.5" D (120mm W x 13mm D)
Installation Hole Size	4.33" (110mm)

### Ordering Code:

LVLDL-04S-XX-WH-R-L3

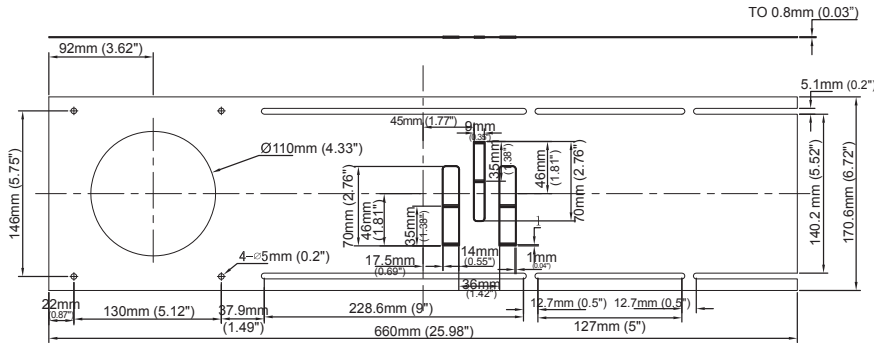
Project		Type	
Date		Contact	
Notes			

DIMMABLE



4", 9 watts LED Thin-Line Square Down Light. Designed for remodel and new construction, wet locations listed, Thin Line Downlights are a versatile and affordable choice for countless applications.

### LVLDL-CP-4-L3 Construction Plate



Note: this item is sold separately.

### Compatible dimmers

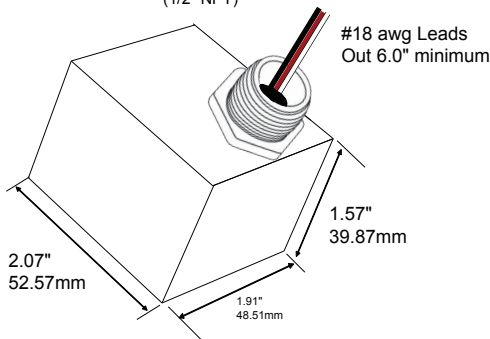
Dimmable to 5% with most standard dimmers

Lutron	C.L™ Dimmers
	DVELV-300
	SELV-3600P
	NTELV-300/600
	MAELV-300/600
Leviton	MRF2-6ND-120
	VPE04
	6615
	VPE06
	VRE06
	6672
	6674
IPE04	



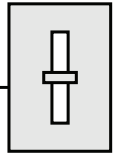
### DLT-277 (non-dimmable)

Approx. Dimensions  
 - 0.47" threads above  
 0.13" shoulder  
 - Nipple Dia. 0.82"  
 (1/2" NPT)

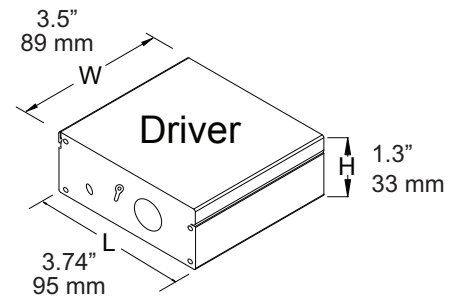
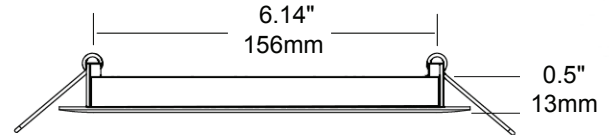
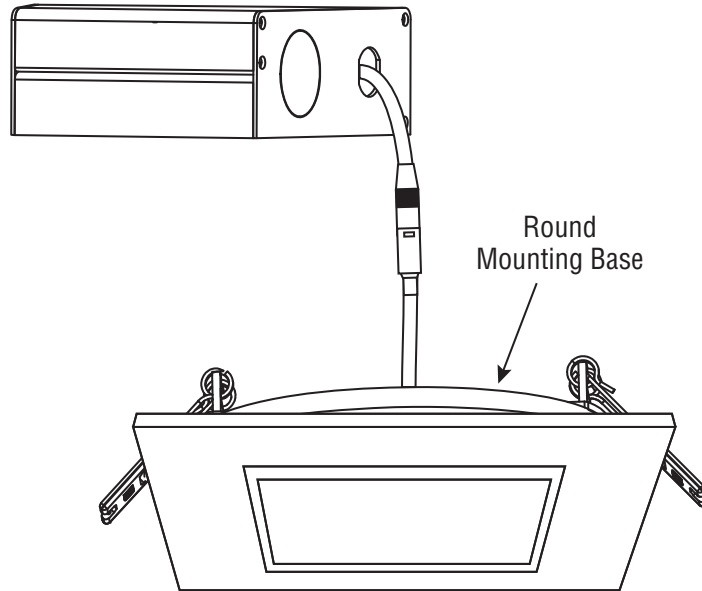


### 277V Specifications

Primary / Input	277V, 60Hz, 28W, 0.08A @ Full / Rated Load.
Secondary / Output	- Open Circuit = 130V ±2%, 0.4W - Full / Rated Load = 115V ±2%, 25VA (25W/ 0.22A resistive load)
Dielectric Strength	Winding to core 3000V, 60Hz, 1 sec.
Efficiency	88% typ. @ 277Vin, 25VA load.
Insulation System	Class A (105°C)
Environmental Temperature Rating	-20°C to + 40°C
MTBF (based on MIL Handbook 217F)	50 years @ rated specification.
Housing	Black Zytel FR50 (plastic)
Approvals	UL Listed to CSA C22.2 No. 66.1, 66.2 and UL5085-1, UL5085-2
Weight	0.75lbs.



6", 12 watts LED Thin-Line Square Down Light. Designed for remodel and new construction, wet locations listed, Thin Line Downlights are a versatile and affordable choice for countless applications.



### Features

- Energy Star rated - up to 80% energy savings
- Dimmable to 5% with most standard dimmers
- 120° beam spread
- Warm White and Neutral White color temperatures
- Two spring loaded clips to attach to any ceiling material
- White finish (interchangeable brushed nickel, black, bronze trims available - sold separately)
- Wet locations listed
- No IC can required, for direct contact with insulation and combustibile materials
- Temperature rating: -20°C-45°C
- Connects directly to 120V power supply
- Optional 277V Step-Down Transformer (non-dimmable)
- 50,000 hour life
- 5 year limited warranty
- Airtight
- cETLus and Energy Star listed

### Specifications

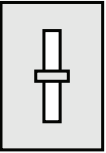
LED Color	White
CCT	WW (3000K) NW (4000K)
Input Voltage	100 - 120 V, 60 Hz
Output Power(W)	12 Watts
No. SMD2835 LEDs	72
Lumen (lm)	840 lm
CRI	>80
Luminous Efficacy (lm/W)	70 lm/w
Approved Location	Wet
Life Span	> 50,000 hrs
Appearance Size	6.73" W x 0.5" D (171mm W x 13mm D)
Installation Hole Size	6.54" (166mm)

### Ordering Code:

LVLDL-06S-XX-WH-R-L3

Project		Type	
Date		Contact	
Notes			

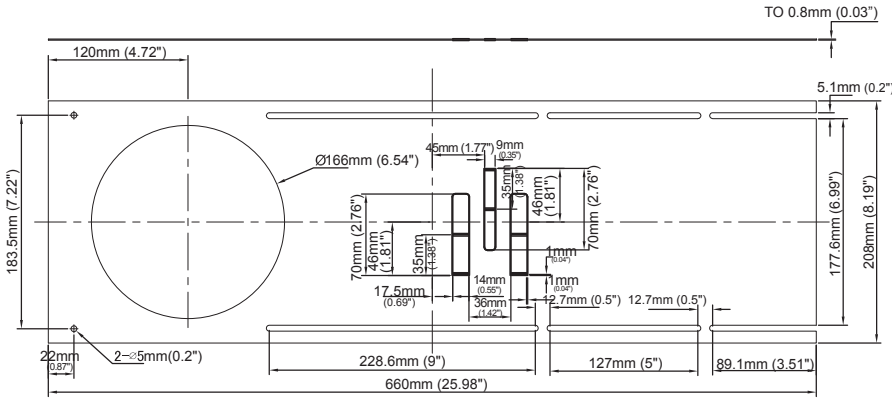
DIMMABLE



6", 12 watts LED Thin-Line Square Down Light. Designed for remodel and new construction, wet locations listed, Thin Line Downlights are a versatile and affordable choice for countless applications.

### LVLDL-CP-6-L3

#### Construction Plate



Note: this item is sold separately.

### Compatible dimmers

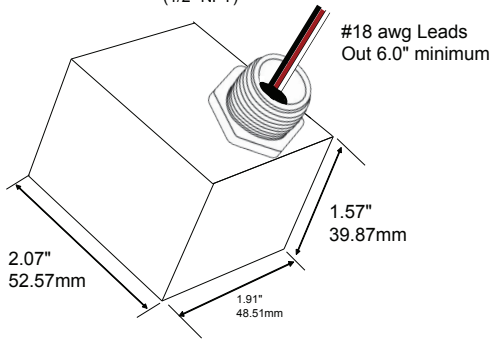
Dimmable to 5% with most standard dimmers

Lutron	C.L™ Dimmers
	DVELV-300
	SELV-3600P
	NTELV-300/600
	MAELV-300/600
Leviton	MRF2-6ND-120
	VPE04
	6615
	VPE06
	VRE06
	6672
	6674
IPE04	

### DLT-277 (non-dimmable)



Approx. Dimensions  
 - 0.47" threads above  
 - 0.13" shoulder  
 - Nipple Dia. 0.82"  
 (1/2" NPT)



### 277V Specifications

Primary / Input	277V, 60Hz, 28W, 0.08A @ Full / Rated Load.
Secondary / Output	- Open Circuit = 130V ±2%, 0.4W - Full / Rated Load = 115V ±2%, 25VA (25W/ 0.22A resistive load)
Dielectric Strength	Winding to core 3000V, 60Hz, 1 sec.
Efficiency	88% typ. @ 277Vin, 25VA load.
Insulation System	Class A (105°C)
Environmental Temperature Rating	-20°C to + 40°C
MTBF (based on MIL Handbook 217F)	50 years @ rated specification.
Housing	Black Zytel FR50 (plastic)
Approvals	UL Listed to CSA C22.2 No. 66.1, 66.2 and UL5085-1, UL5085-2
Weight	0.75lbs.