



# Q Series High Bay - 2'

## Applications

The Q Series High Bay family is a versatile solution for endless applications. With a lightweight extruded aluminum body and included mounting hardware, the Q Series QHB by TCP is quick to install and will provide a long-lasting, durable light source for years to come.

## Features

- Lightweight, quick install construction
- Standard frosted lens for glare control
- No shadows for smooth, even lighting
- Damp location rated
- 0-10V smooth, no-flicker dimming
- Operating temperature: -4°F to 122°F
- 250W or 400W HID equivalent
- Long 50,000 hour rated life
- LED design provides wide beam spread and clean cutoff
- Optional battery backup and motion sensors available
- Includes 6-foot power cord

## Hardware Included

- 2 tong hangers
- 5' jack chains
- 6' pre-wired cord

Item Number	
Notes	Type



### Listings

cULus Listed  
RoHS Compliant  
DLC 5.1 Standard

### Warranty

Five year limited warranty against defects in manufacturing.

## Installation

Before hanging installation, please consult your local ordinances and building codes.

## Catalog Ordering Matrix Example: QHB2UZDA250K

FAMILY	LENGTH	VOLTAGE	CONTROLS	LUMEN PACKAGE (Power) <sup>1,2</sup>	CCT <sup>4</sup>	FACTORY INSTALLED OPTIONS <sup>3</sup>	FACTORY INSTALLED CONTROLS
<b>QHB</b> - Q Series High Bay	<b>2</b> - 2 foot	<b>U</b> - 120-277V <b>H</b> - 347-480V	<b>ZD</b> - 0-10V Dimming	<b>A2</b> - 15,100L (110W) <b>E4</b> - 17,550L (130W) <b>A3</b> - 25,100L (165W) <b>A4</b> - 30,500L (220W) <b>A5</b> - 35,000L (260W)	<b>40K</b> - 4000K <b>50K</b> - 5000K	<b>Blank</b> - No Add-on <b>B</b> - Battery Backup	<b>Blank</b> - No controls <b>MS1</b> - Microwave Motion Sensor 120-277V <b>LS1</b> - PIR Motion Sensor 120V, 277V or 347V <b>LS1D</b> - PIR Motion/Daylight Sensor 120V, 277V or 347V <b>LS4</b> - PIR Motion Sensor 240V or 480V <b>IS</b> - Integrated Sensor <b>SM</b> - SmartBox with Microwave Sensor

<sup>1</sup> Approximate lumen output. Actual performance may vary based on CCT, options selected and end use application

<sup>2</sup> Actual wattage may differ by +/- 10%

<sup>3</sup> Battery backup outputs 3,000L when in use

<sup>4</sup> Other CCT available special order. Longer lead times will apply

## Field Installed Accessories

- QHB2WGUARD1 - Wire Guard for 110W Model
- QHB2WGUARD2 - Wire Guard for 130W-220W Models
- QHB2SMOUNT1 - 110W Surface Mount Kit
- QHB2SMOUNT2 - 130W-220W Surface Mount Kit
- ISREMOTE - REMOTE FOR INTEGRATED SENSOR



**QHB2SMOUNT1/QHB2SMOUNT2 Surface Mount Kit**  
(Shown on QHB2UZDA250K)

TCP®

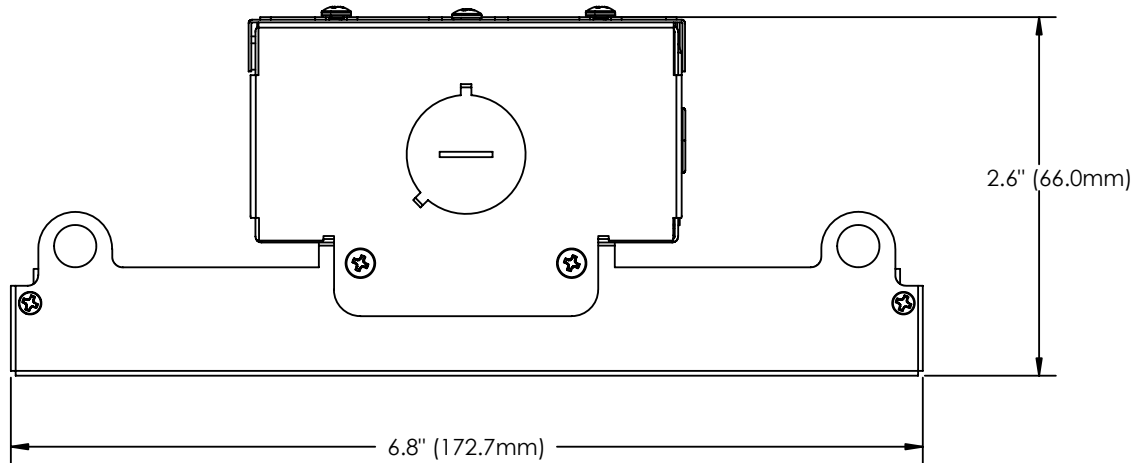
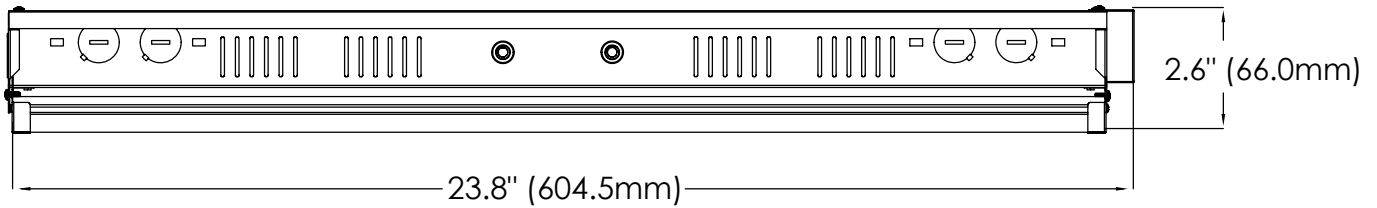
325 Campus Dr. | Aurora, Ohio 44202 | P: 800-324-1496 | tcp.com



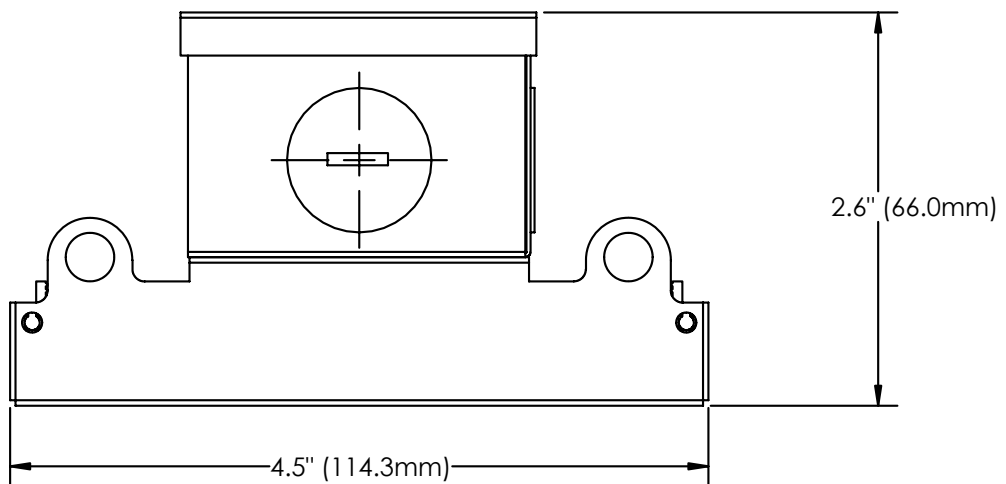
5 YEAR WARRANTY

Not all versions of this product are qualified on the DLC QPL. To view our DLC qualified products, please consult the DLC Qualified Products List at [www.designlights.org/apl](http://www.designlights.org/apl).

## Wireline Dimensions



**QHB2UZDE450K (WEIGHT: 5.84lbs), QHB2UZDA350K (WEIGHT: 6.94lbs) & QHB2UZDA450K (WEIGHT: 7.61lbs)**



**QHB2UZDA250K (WEIGHT: 4.85lbs)**

## Photometric Report

### Spacing Criterion

#### QHB2UZDE4xxK

Spacing Criterion (0-180)	1.22
Spacing Criterion (90-270)	1.22

#### QHB2UZDA4xxK

Spacing Criterion (0-180)	1.22
Spacing Criterion (90-270)	1.20

#### QHB2UZDA3xxK

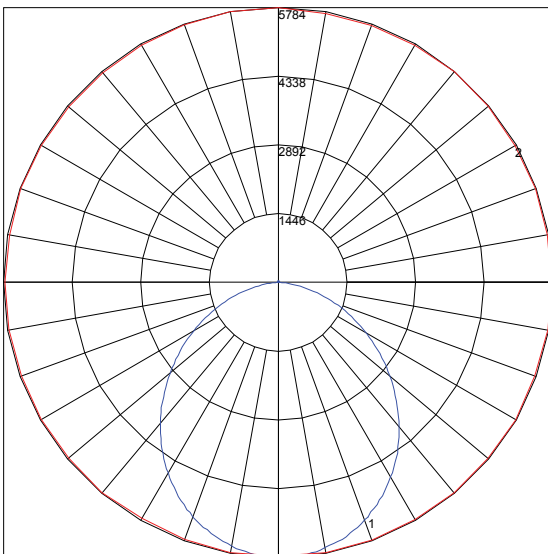
Spacing Criterion (0-180)	1.24
Spacing Criterion (90-270)	1.22

#### QHB2UZDA2xxK

Spacing Criterion (0-180)	1.22
Spacing Criterion (90-270)	1.24

Based on photometric data for  
TCP Item # QHB2UZDA250K

### Polar Graph



Maximum Candela = 5784.2 Located At Horizontal Angle = 90, Vertical Angle = 2  
# 1 - Vertical Plane Through Horizontal Angles (90 - 270) (Through Max. Cd.)  
# 2 - Horizontal Cone Through Vertical Angle (2) (Through Max. Cd.)

Specifications and dimensions subject to change without notice.

### Coefficients of Utilization – Zonal Cavity Method

#### Effective Floor Cavity Reflectance 0.20

RC	80				70				50				30				10				0
RW	70	50	30	10	70	50	30	10	50	30	10	50	30	10	50	30	10	50	30	10	0
0	118	118	118	118	115	115	115	115	110	110	110	105	105	105	100	100	100	100	100	100	98
1	108	104	100	96	106	101	98	94	97	94	91	92	90	87	88	86	84	88	86	84	82
2	99	91	84	79	96	89	83	78	85	80	75	81	77	73	78	74	71	78	74	71	69
3	90	80	72	66	88	78	71	65	75	69	64	72	67	62	69	65	61	69	65	61	59
4	83	71	63	56	80	70	62	55	67	60	54	64	58	53	62	57	52	62	57	52	50
5	76	64	55	48	74	62	54	48	60	53	47	58	52	47	56	50	46	56	50	46	44
6	71	57	49	42	69	56	48	42	54	47	42	52	46	41	51	45	40	51	45	40	38
7	65	52	44	38	64	51	43	37	50	42	37	48	41	36	46	40	36	46	40	36	34
8	61	48	39	34	59	47	39	33	45	38	33	44	37	33	43	37	32	43	37	32	30
9	57	44	36	30	56	43	35	30	42	35	30	41	34	30	39	34	29	39	34	29	27
10	54	40	33	28	52	40	32	27	39	32	27	38	31	27	37	31	27	37	31	27	25

### Zonal Lumen Summary

Zone	Lumens	%Lamp	%Fixt
0-20	2091.37	N.A.	13.70
0-30	4392.26	N.A.	28.70
0-40	7081.78	N.A.	46.30
0-60	12047.92	N.A.	78.70
0-80	14652.39	N.A.	95.80
0-90	14922.37	N.A.	97.50
10-90	14377.93	N.A.	94.00
20-40	4990.42	N.A.	32.60
20-50	7660.38	N.A.	50.10
40-70	6640.53	N.A.	43.40
60-80	2604.47	N.A.	17.00
70-80	930.07	N.A.	6.10
80-90	269.98	N.A.	1.80
90-110	159.35	N.A.	1.00
90-120	224.87	N.A.	1.50
90-130	278.54	N.A.	1.80
90-150	349.58	N.A.	2.30
90-180	380.35	N.A.	2.50
110-180	221.00	N.A.	1.40
0-180	15302.72	N.A.	100.00

Total Luminaire Efficiency = N.A.%

### Average Luminance candelas/square meter (cd/sq.m)

Angle In Degrees	Average 0-Deg	Average 45-Deg	Average 90-Deg
45	74205	66677	65051
55	67501	58054	55694
65	60232	47918	44695
75	52168	35229	30270
85	41658	16454	9197