



La solution écologique pour tous vos besoins d'éclairage  
Ecological solutions for all your lighting needs  
Soluciones ecológicas para todos los proyectos de iluminación y alumbrado

# New generation of solar street light

LED STREET WITH SOLAR CYLINDER POSTS.

# Solar Cylinder Street Light Post

The new generation of solar street lights with aesthetically designed

## WHAT IS IT

Solar cylinder solar street post is the advanced combination with latest technology. It adopts the cylindrical solar modules as a revolutionary design in 2019. Solar cylinder is based on modular conception which is can be easily mounted to any kind of pole within diameter 165mm, It adopts mono crystalline silicon with high power efficiency up to 21.2% and more than 20 years lifetime. It has a very aesthetical appearance and has a much better wind resistance rather than regular solar panel.

The whole post only includes two functional components including solar cylinder and solar light head which are connected directly by MC4 connectors. The battery and solar controller are built inside of light fixture. The power of lights covers from 20W to 120W which can be installed on poles from 5M to 14M.

Solar cylinder light post is a premium and advanced products which are specially for these projects concerning a lot on aesthetical appearance as well as high luminous, durable quality system and longtime lifetime.



# Solar Cylinder Street Light Post

The new generation of solar street lights with aesthetically designed

1.2

## ADVANTAGES



**Detachable Design**

This solar cylinder module is based on modular design concept for easy installation and disassembly. It can be quickly and easily mounted on any suitable pole.



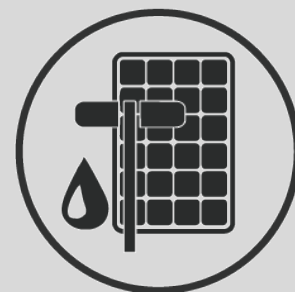
**360° All Day Charging**

6 slim solar panels are fixed tightly on a hexagon frame. so it ensures 50% of solar panel will face to sunshine at any time of the day. Solar cell efficiency is up to 21.2%.



**Better Wind Resistance**

The cylindrical design reduces the wind resistance area, and each module is directly fastened to the pole by 12 screws for better wind resistance. It can stand well against even 10 grade typhoon.



**Easy to Clean**

Much less dust will fall on surface than regular solar panel. Worker can clean it easily standing on ground with taking a long handle brush. no need lift. higher working efficiency and less maintain cost.



**No Snow Covering**

Solar cylinder modular mounted in vertical is not easy to be covered by snow as regular solar panel. Ensure enough power can be generated even in very snowy climate. Never worry black out.



**Aesthetic Appearance**

Comparing with regular solar panel. Solar cylinder has a more esthetic appearance which is integrated with light post very well . Making the city and road more beautiful and more modern.

# Solar Cylinder Street Light Post

The new generation of solar street lights with aesthetically designed



**150** lm/W

More LED quantity, Less Current Input, getting very high luminous efficiency



**98%** Rate

MPPT controller efficiency is up to 96%, Improving the power generated daily Ensuring lighting everyday.

**25** Years

Mono crystalline solar cell, Long time lifetime. Maintenance free. Enjoy 100% green energy



**2000** Cycles

High quality lithium battery adopted with smart BMS, ensuring system stable performance for long time





# SOLAR CYLINDER

THE FIRST DETACHABLE SOLAR CYLINDER IN THE WORLD

# Solar Cylinder Street Light Post

The new generation of solar street lights with aesthetically designed

## WHAT IS SOLAR CYLINDER

Solar cylinder module is a revolutionary product that will subvert the solar led street light industry. Comparing with regular big solar panel mounted over the pole which is not good looking, new generation solar cylinder street light has a more aesthetic appearance which can merge into the whole city. It updates solar street light industry with a brand new good looking, and much stronger wind resistance.

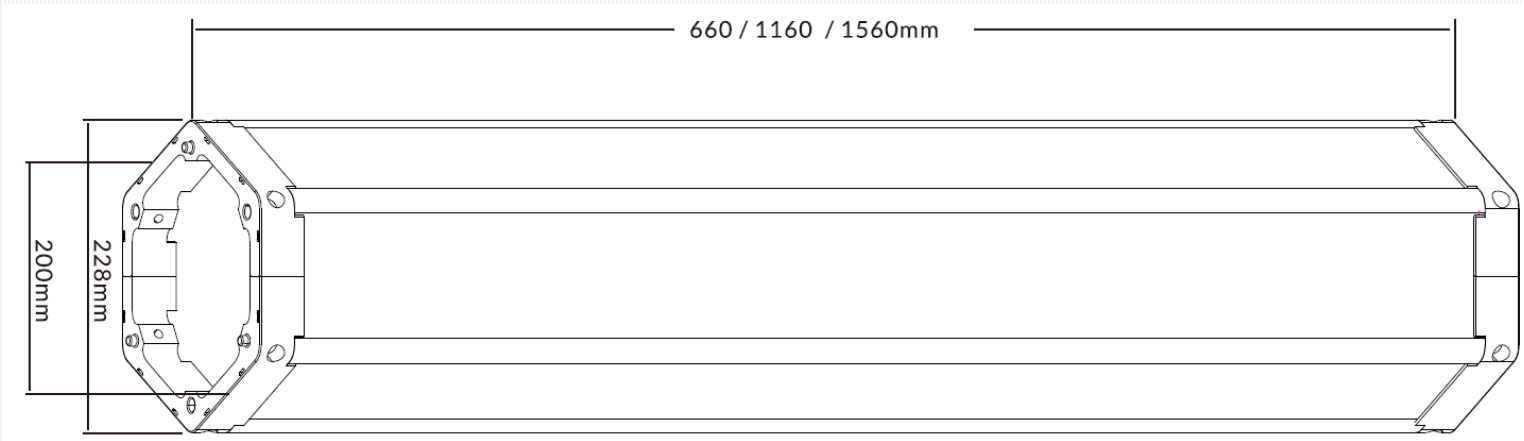
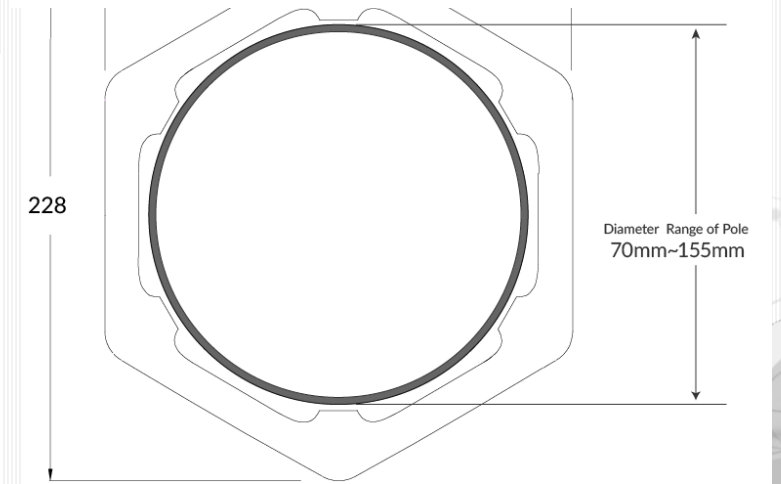
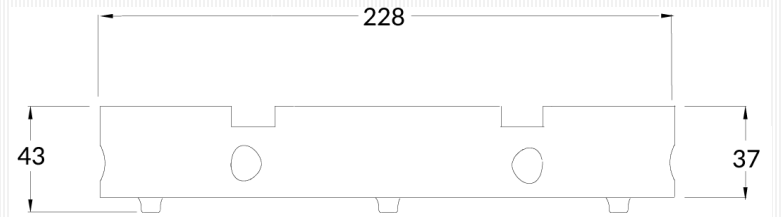
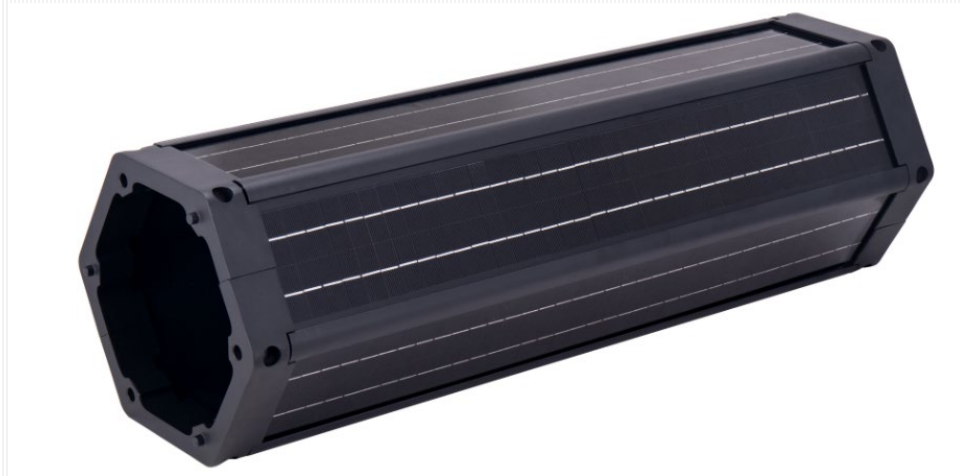
There are standard 3 power modules available: 55W 100W and 140W, you can get more wattage by connecting multiple modules in parallel as you need, such as 200W ( 2pcs of Q100,) 280W( 2pcs of Q140) ,420W (3pcs of Q140) and so on. This solar cylinder modular can be mounted on conical, cylinder, square or polygon poles as long as the diameter is less than 155mm. Not only Q solar cylinder modular can be used for street light, it can be also used for LED signs, led traffic lights, even power plant etc.



# Solar Cylinder Street Light Post

The new generation of solar street lights with aesthetically designed

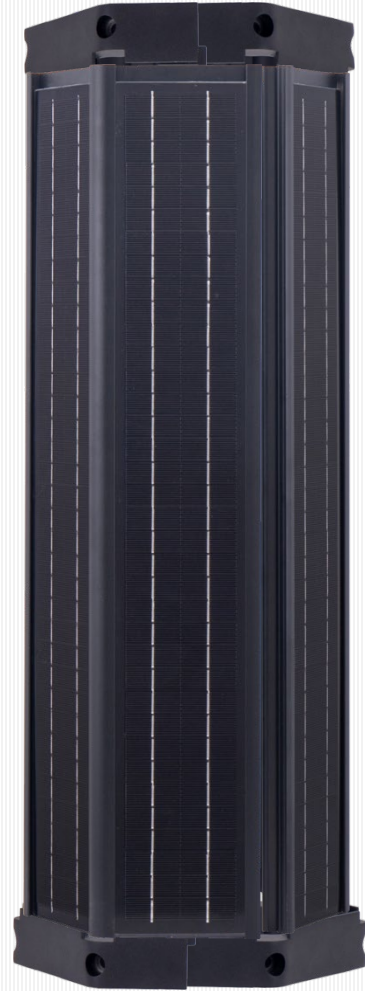
## DIMENSION



# Solar Cylinder Street Light Post

The new generation of solar street lights with aesthetically designed

**ASSEMBLY**





# Solar Cylinder Street Light Post

The new generation of solar street lights with aesthetically designed

## YOU MAY ASK

### **Question 1.** What kind of connectors and cable does this cylinder use?

This cylinder is using 2.5mm<sup>2</sup> power cord which is specially for solar panel instead of regular cable. Each module has a pair of MC4 connectors with 20cm cord at both sides.

### **Question 2.** Can I connect couples of cylinder modules in series or in parallelized connection?

Because this module is using universal MC4 connectors, so you can connect it in the same way as regular solar panel.

### **Question 3.** Does this cylinder include battery or solar controller

This solar cylinder is a individual module, the battery and controller are built inside of light head fixture.

### **Question 4.** What diameter of the pole can match the module.

The max diameter that can be used for this module is 165mm, so as long as the diameter is less than 165mm,. Then you can use it, while we always suggest to use 140~160mm for the best performance.

*For more questions, please refer to our website...*





# SOLAR LIGHT HEAD

THE MOST SUCCESSFUL ALL IN TWO SOLAR STREET LIGHTS IN CHINA

# Solar Cylinder Street Light Post

The new generation of solar street lights with aesthetically designed

## FVS Series Solar Light Head

MODELS

FVS-20W

FVS-30W

FVS-40W

FVS-50W

FVS-60W

FVS Series - Integrated Solar Street Light is the original patented design with streamlined appearance, which combined brighter Philips LED source, extreme efficient Mono solar panel, intelligent programmable MPPT controller, long lifespan of lithium battery, 'Smart Eye' motion sensor and full-angle adjustable bracket to All In One. Integrated design, module structure and plugging connection make easier to install, maintain and save budget.

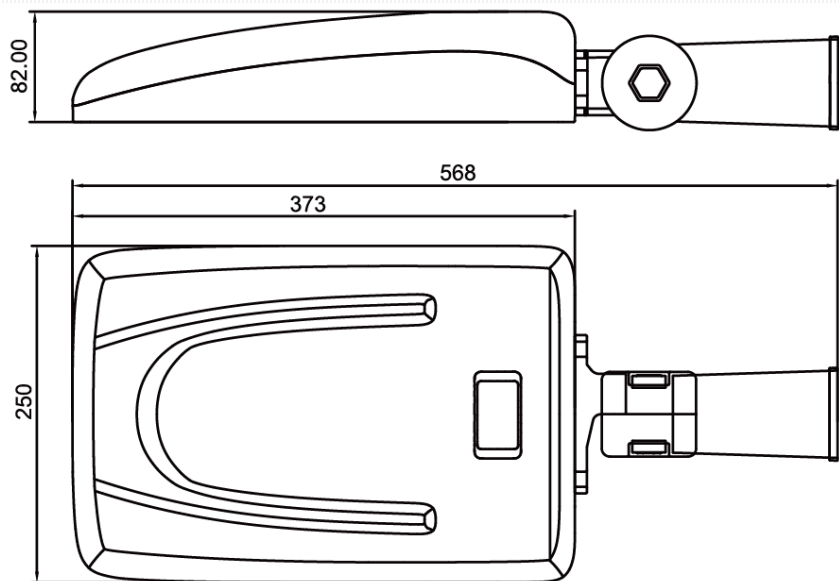
Helios Series possess Type II illumination shape like bat wing beam which is more suitable for applying to road, way, lane, walk path. You can witness the better uniformity without dark area and up to 12 hours 100% continuous lighting.



# Solar Cylinder Street Light Post

The new generation of solar street lights with aesthetically designed

## DIMENSION & INTERNAL



**Solar Controller**  
(Including motion sensor)

**Lithium Battery Pack**



# Solar Cylinder Street Light Post

The new generation of solar street lights with aesthetically designed

## FVT Series Solar Light Head

MODELS

FVT6 60W

FVT7 70W

FVT8 80W

FVT10 100W

FVT10 120W

Just as its name represents a powerful force, from the very beginning, it was designed with more functional and brightest standards. There is no solar street light in the market that can have such high actual power and brightness as FVT.

It adopts lumiLEDS SMD3030 LED as light source, led qty is up to 248pcs. Up to 16000lm with actual power as 120W. The power range is from 50W to 120W as optional, max NCM lithium battery capacity is more than. Each power of LED range, there are different power capacity we can use in order to get various autonomy ( backup days) according to customer's requirement.

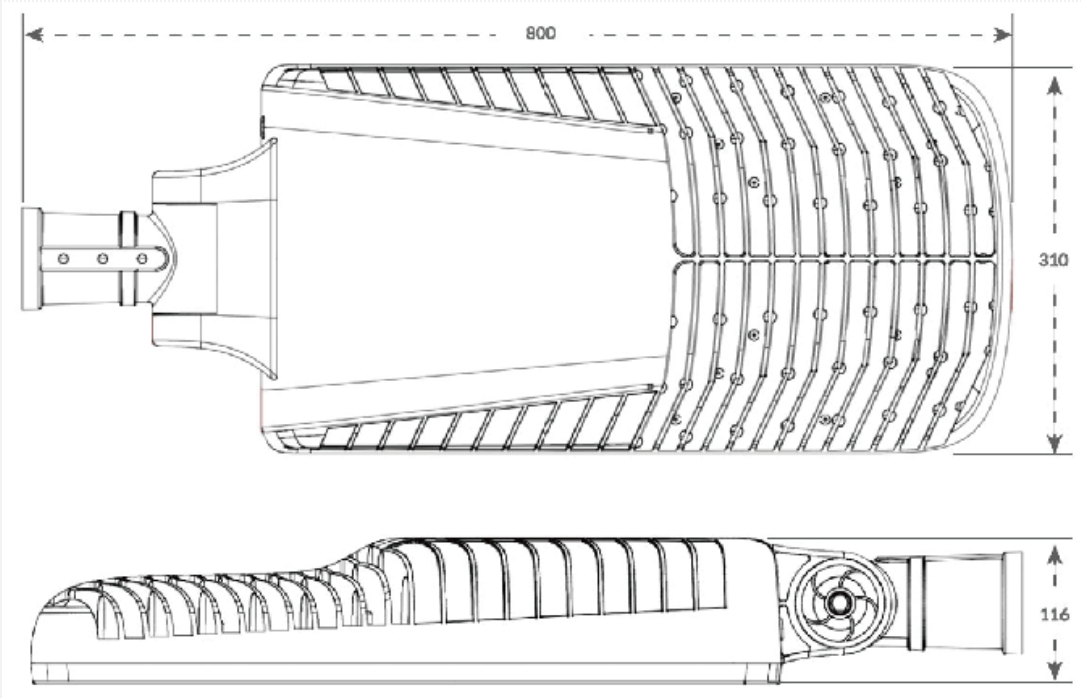
Thanks for its practical high lumen performance, this light is the ideal model and capable to be used for the application where require ultra high brightness with high poles 12m 14m for express way, or airport..



# Solar Cylinder Street Light Post

The new generation of solar street lights with aesthetically designed

## DIMENSION & INTERNAL





# APPLICATION

REDEFINE YOUR SOLAR STREET LIGHT POST

PRIME PROPERTY  
PARKSIDE VILLAGE INC.  
THIS IS NOT AN ENTRANCE  
TO PALMER PARK  
VIOLATORS WILL  
BE PROSECUTED

PARKSIDE  
VILLAGE









456 boul des Laurentides,  
Piedmont, Qc J0R 1K0  
(514) 627-4489

[sales@faturvert.com](mailto:sales@faturvert.com)

[www.faturvert.com](http://www.faturvert.com)

