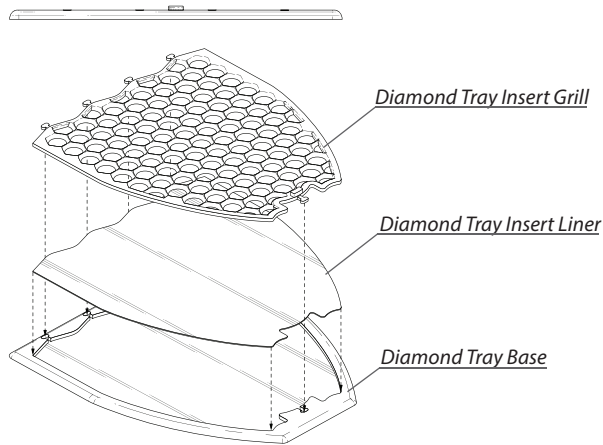


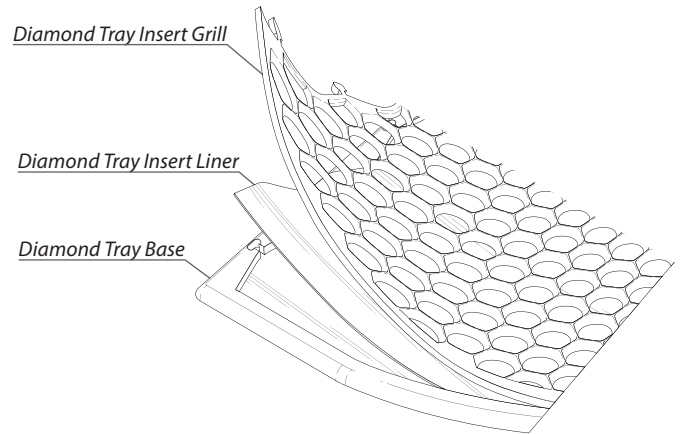
Day Urinal Mats User Manual

STEP 1



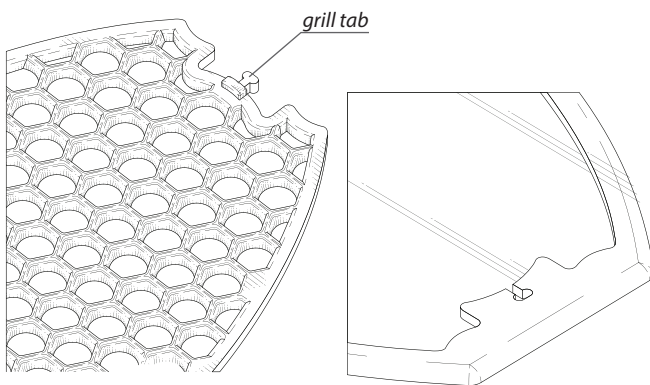
Remove Diamond Tray Insert Grill from Diamond Tray Base.

STEP 2



Insert Diamond Tray Insert Liner mesh side up. Plastic surface of Diamond Tray Insert Liner must be touching base of tray.

STEP 3



Reconnect Diamond Tray Insert Grill to Diamond Tray Base with grill tab face up. Close tray.

HOW TO CLEAN

1. Discard soiled Diamond Tray Insert Liner.
2. Reconnect Diamond Tray Insert Grill to Diamond Tray Base.
3. Mix warm water with disinfectant.
4. Mop the Diamond Tray Base and Diamond Tray Insert Grill thoroughly in sections.
5. Rinse and ring out mop.
6. Dry Diamond Tray Base and Diamond Tray Insert Grill by mopping using a dry mop.
7. Let Diamond Tray Base and Diamond Tray Insert Grill air dry on both sides for 5–10 minutes.
8. Make sure the bottom base of tray and floor are completely dry.
9. Insert new replacement Diamond Tray Insert Liner.
10. Repeat steps daily or as needed.

