
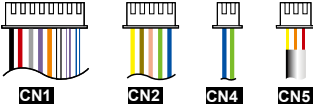




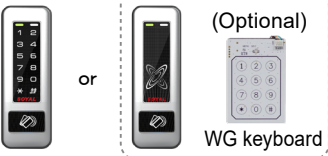
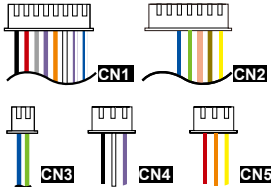
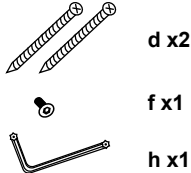
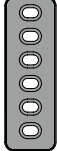

## Contents

### AR-321-H: Touch-panel Metal Housing


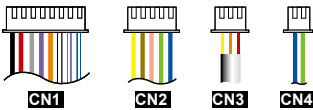

- 1 Product 
- 2 Terminal Cables 
- 3 Tools 
- 4 Water proof Strip 

### AR-331-H: Touch-panel Metal Housing / AR-331-H-S: Metal Housing

※ Additional external relay must be purchased.

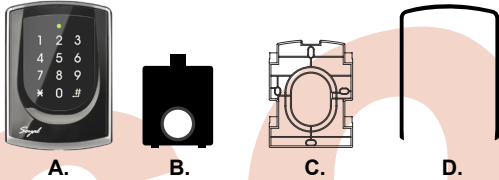
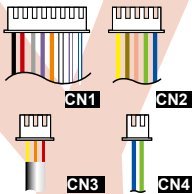
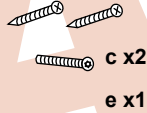
- 1 Product 
- 2 Terminal Cables 
- 3 Tools 
- 4 Accessories 
- 5 Optional 

### AR-721-H

- 1 Product 
- 2 Terminal Cables 
- 3 Tools 

### AR-725-H: Illuminated Touch-panel

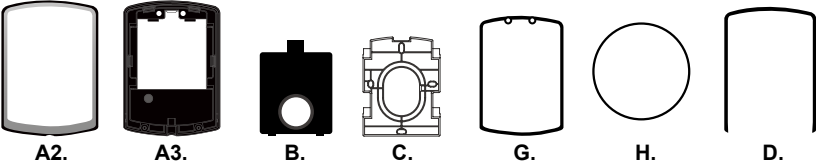
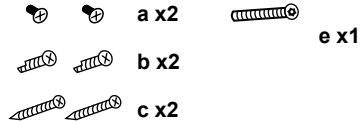
#### AR-725-H-M

- 1 Products 
- 2 Terminal Cables 
- 3 Tools 


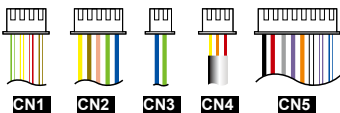

#### AR-725-H

- 1 Products 
- 2 Terminal Cables 
- 3 Tools 



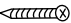





#### AR-725 (X)

- 1 Products 
- 2 Tools 

### AR-757-H

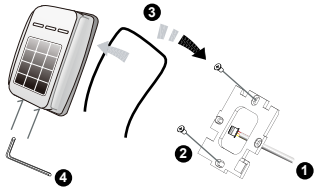
- 1 Product 
- 2 Terminal Cables 
- 3 Tools 

## Parts Description

- a.  Button Head Pozidriv Tapping Screw: M3x10
- b.  Button Head Pozidriv Slotting Screw: 2.5x10
- c.  Flat Head Cap Philips Tapping Screw: 4x19.1
- d.  Flat Head Cap Philips Tapping Screw: 4x38
- e.  Security Torx Screw: M3.5x15
- f.  Flat Head Hex Socket Screw: M3x8
- g.  Security Torx Screw: M3x10
- h.  Security Torx Wrenches

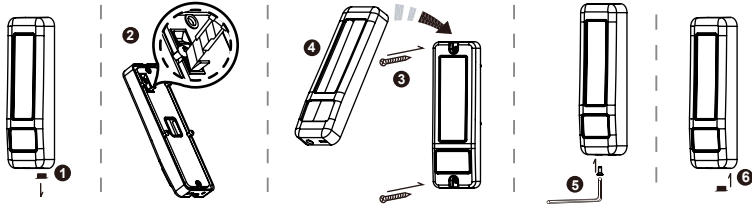
## Installation

### AR-321-H



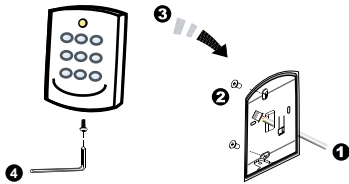
- Pull the cables from the square hole of the mounting plate.
- Use a screwdriver to screw the mounting plate onto the wall.
- Attach the water proof strip to the body, then connect the terminal cables to the body and attach the body to the mounting plate.
- Use the Allen key and screws (accessories supplied) to assemble the body onto the mounting plate.
- Turn on the power, and LED will light and beep will sound.

### AR-331-H / AR-331-H-S



- Remove the rubber plug.
- To cut tamper-resistant column and make it fit the appropriate height for actual installation.
- First, take off the metal casing then screw the controller on the wall.
- Second, put the metal casing back and lock it with security screw.
- Finally, put the rubber plug into the hole.
- Turn on the power, and LED will light and beep will sound.

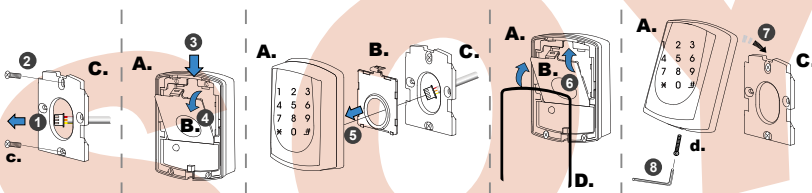
### AR-721-H



- Pull the cables from the square hole of the mounting plate.
- Use a screwdriver to screw the base onto the wall.
- Connect the terminal cables to the body and attach the body to the mounting plate.
- Assemble the covers with the Allen key and screws (accessories supplied).
- Turn on the power and LED will light and beep will sound.

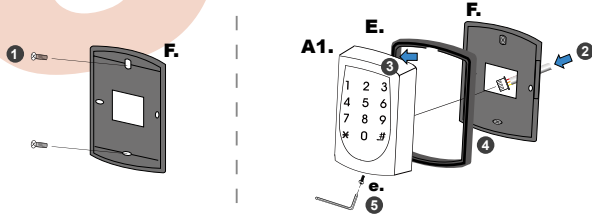
### AR-725-H

#### AR-725-H-M



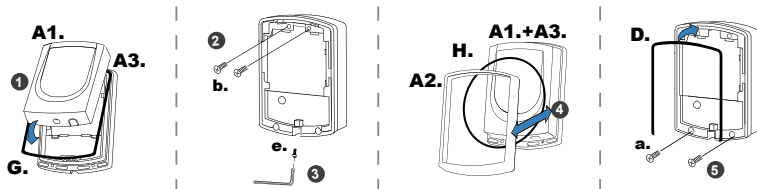
- Pull the cables from the square access hole of the mounting plate C.
- Use a screwdriver to screw the metal plate C onto the wall.
- Take off the plastic mounting plate B from the body A, and pull the cables through the access hole of C and B, then connect to the body A.
- Assemble plate B with the body A, and embed the water proof strip D onto the plastic side frame.
- Assemble the body A onto the mounting plate C with the Allen key and screws (accessories supplied).
- Turn on the power and LED will light and beep will sound.

#### AR-725-H



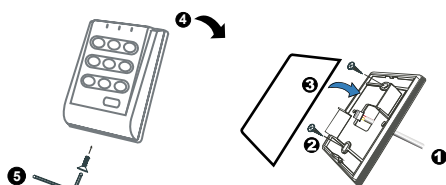
- Use a screwdriver to screw the base F onto the wall.
- Attach the water proof gasket to the body A1, and pull the cables from the square hole of the base F, and connect to the body A1.
- Assemble the body A1 with the base F.
- Screw A1 and F tight with the Allen key and screws (accessories supplied).
- Turn on the power and LED will light and beep will sound.

#### AR-725 (X)



- Put on G, and attach A1 onto the plastic plate A3, and screw it with the Allen key and screws (accessories supplied).
- Put the ring O on the metal frame, and put them together onto the reader A1+A3, and screw them and buckle up the 4 buckles on the back.
- Embed the water proof strip D onto the frame side of the base.
- Following by the install process of AR-725 (H-M)

### AR-757-H



- Pull the cables from the square hole of the mounting plate.
- Use a screwdriver to screw the base onto the wall.
- Embed the water proof strip 3 onto the frame side of the base.
- Connect the terminal cables to the body and attach the body to the mounting plate.
- Assemble the covers with the Allen key and screws (accessories supplied).
- Turn on the power and LED will light and beep will sound.

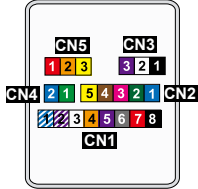
## Notice

- 1.Tubing:** The communication wires and power line should NOT be bound in the same conduit or tubing.
- 2.Wire selection:** Use AWG 22-24 Shielded Twist Pair to avoid star wiring.
- 3.Power supply:** Don't equip controller and lock with the same power supply. The power for controller may be unstable when the lock is activating, that may make the controller malfunction.  
The standard installation: Door relay and lock use the same power supply, and controller use independent power supply.

## Connector Table

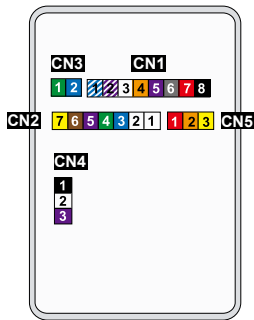
### AR-321-H

125kHz  
13.56MHz



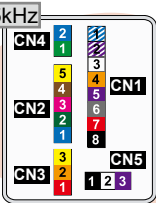
### AR-331-H / AR-331-H-S

125kHz  
13.56MHz

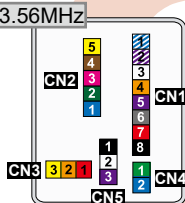


### AR-721-H

125kHz

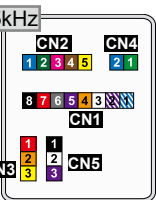


13.56MHz

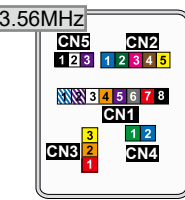


### AR-725-H

125kHz

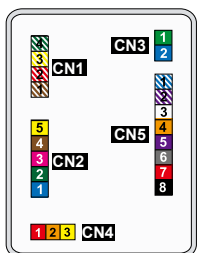


13.56MHz



### AR-757-H

125kHz  
13.56MHz



### Cable : Power/Door/Alarm

AR-321-H	AR-331-H	AR-721-H	AR-725-H	AR-757-H
<b>CN1</b>	<b>CN1</b>	<b>CN1</b>	<b>CN1</b>	<b>CN5</b>

Wire Application	Pin	Color	Description
Lock Relay	1	Blue White	(N.O.) DC24V1Amp
	2	Purple White	(N.C.) DC24V1Amp
Common-COM-Point	3	White	(COM) DC24V1Amp
Door contact	4	Orange	Negative Trigger Input
Exit Switch	5	Purple	Negative Trigger Input
Alarm Relay	6	Gray	Low output; Max 12V/100mA (Open Collector)
Power	7	Thick Red	DC Power 12V
	8	Thick Black	DC Power 0V

### Cable : WG **CN2**

(Apply to 321H/721H/725H/757H)

Wire Application	Pin	Color	Description
Wiegand	1	Thin Blue	Wiegand DAT:1 Input
	2	Thin Green	Wiegand DAT:0 Input
Beeper	3	Pink	Beeper Output 5V/100mA, Low
LED	4	Brown	LED Green Output 5V/20mA, Max
	5	Yellow	LED Red Output 5V/20mA, Max

(Apply to 331H)

Wire Application	Pin	Color	Description
---	1	--	Reserved
	2	--	Reserved
Wiegand Reader	3	Thin Blue	Wiegand DAT:1 Input
	4	Thin Green	Wiegand DAT:0 Input
Beeper	5	Pink	Beeper Output 5V/100mA, Low
LED	6	Brown	LED Green Output 5V/20mA, Max
	7	Yellow	LED Red Output 5V/20mA, Max

### Cable : Burglary (Optional)

AR-321-H	AR-331-H	AR-721-H	AR-725-H	AR-757-H
<b>CN3</b>	<b>CN4</b> (Included)	<b>CN5</b>	<b>CN5</b>	---

Wire Application	Pin	Color	Description
3-PIN Connector	1	Black	GND.
	2	White	Duress
	3	Purple	Arming/ Security trigger signal

### Cable : RS-485

AR-321-H	AR-331-H	AR-721-H	AR-725-H	AR-757-H
<b>CN4</b>	<b>CN3</b>	<b>CN4</b>	<b>CN4</b>	<b>CN3</b>

Wire Application	Pin	Color	Description
Networking Module	1	Thick Green	RS-485(B-)
	2	Thick Blue	RS-485(A+)

### Cable : Tamper

※After S/N: 0706-XXXXXX

AR-321-H	AR-331-H	AR-721-H	AR-725-H	AR-757-H
<b>CN5</b>	<b>CN5</b>	<b>CN3</b>	<b>CN3</b>	<b>CN4</b>

Wire Application	Pin	Color	Description
Tamper Switch	1	Red	N.C.
	2	Orange	COM
	3	Yellow	N.O.

### Cable : Burglary / Security Relay **CN1** (Apply to 757-H)

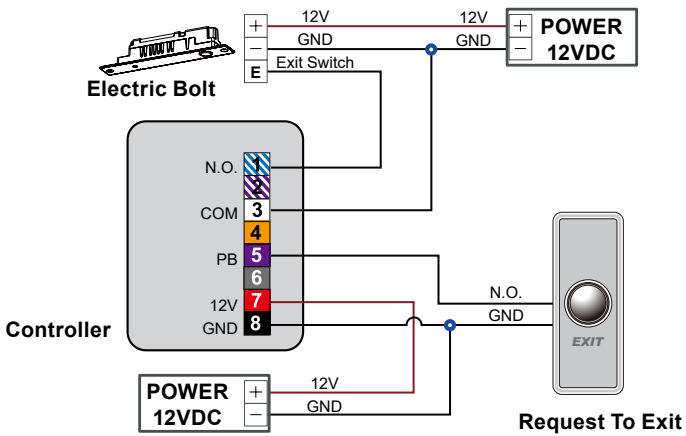
Wire Application	Pin	Color	Description
Doorbell	1	Brown White	BE Output
Arming	2	Red White	AR Output/ Security trigger signal Output
Duress	3	Yellow White	DU Output/ TTL out
LED indicator	4	Green White	Hi input/ Green light brighten

# Access Controller

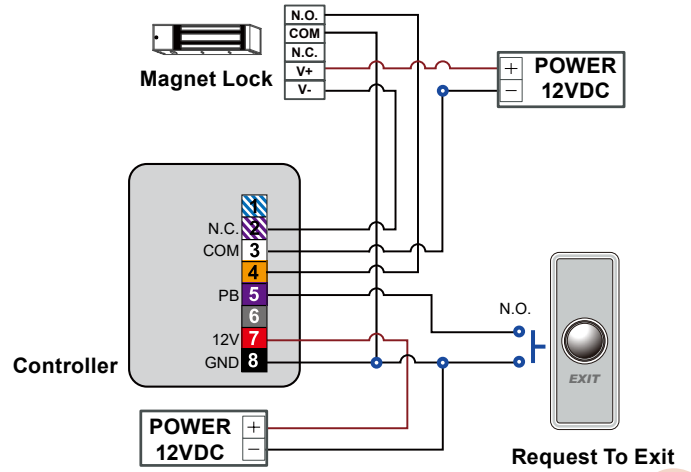
Touch-panel Metal Housing / Illuminated Touch-panel

## Wiring Diagram

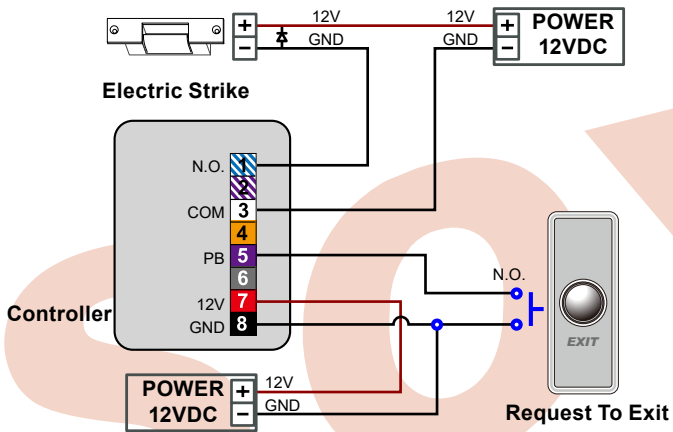
### Connect to Electric Bolt



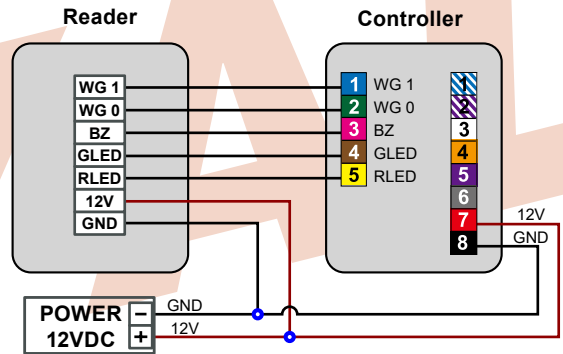
### Connect to Magnetic Lock



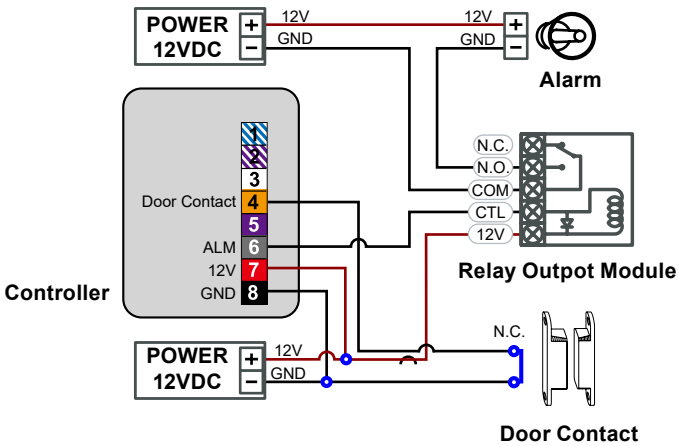
### Connect to Electric Strike



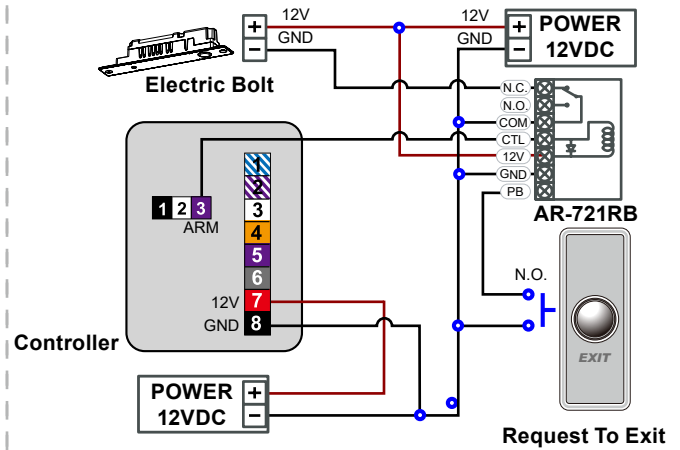
### Connect to Reader



### Connect to Door Sensor



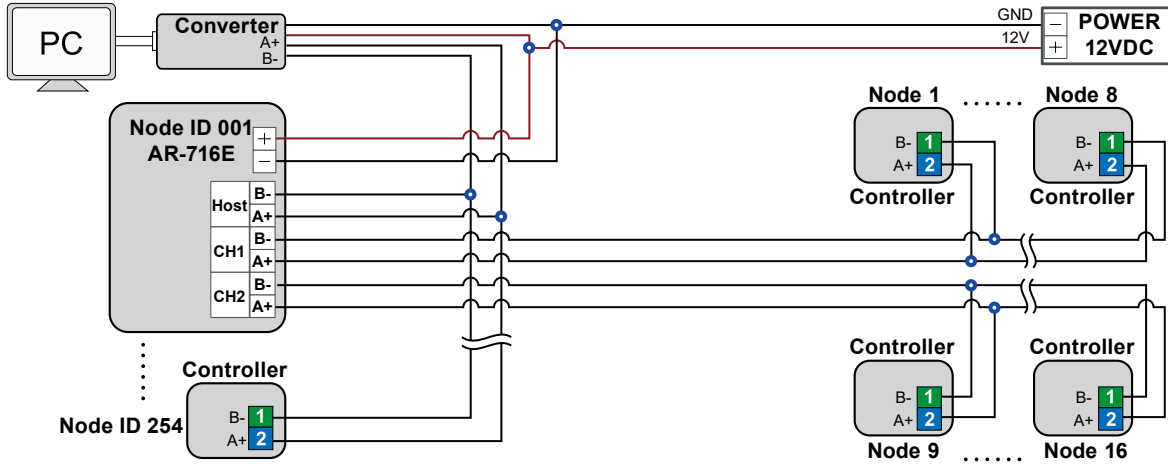
### Strengthen security with AR-721RB



※ 1.Enable the security trigger signal: Please refer to the 34 \* DDD #  
2.Disable "Exit by RTE Button". (Please refer to the 20 \* DDD # of function default value.)

## Wiring Diagram

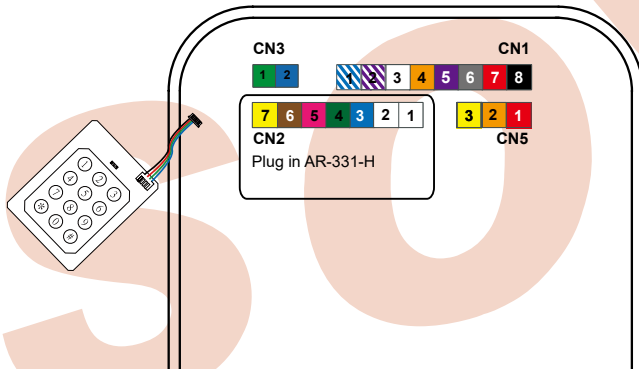
### Connect to Networking



## AR-331-H External WG keyboard

※ If you want to program system on AR-331-H directly, please order WG keyboard then install it according to the following pattern.

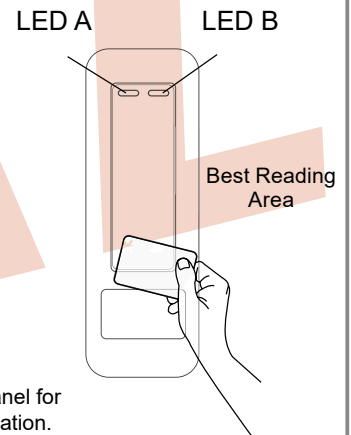
- Plug AR-331-H into CN2 connector on the mainboard
- Refer to command list and start to operate AR-331-H.



## AR-331-H Front Panel & Indicator

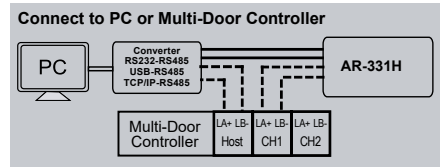
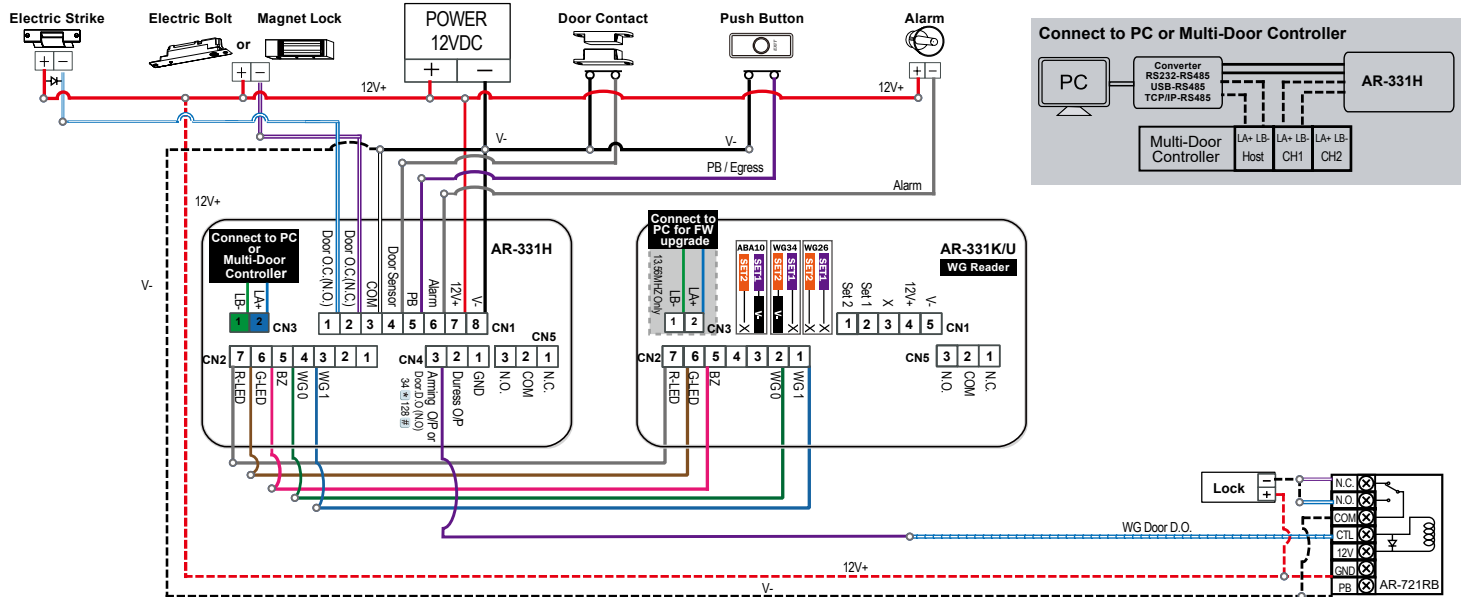
LED A	Description
Blue	Arming / Blue LED Input (Active High)
Yellow	Yellow LED Input (Active High)

LED B	Description
Green	Power-on/Stand-by /OK
Red	Error/Alarm



While power on the device, hands off panel for 10 sec. to make sure a successful activation.

## AR-331-H Connector Table



## Adding and Deleting Tag

### M4/M8

#### • Add a Single Tag or Random tags

Input \*123456# (or Master Code) → 19 \*UUUUU\*00001# → Present the tag(s) to Access Controller (single tag or random tags one by one) → Done  
 [e.g.] Add 2 random cards to User Addresses No. 100 and No. 101:

Enter program mode → 19 \*00100\*00001# → Present the tags one by one → Done

#### • Add a batch of Sequential tags

Input \*123456# (or Master Code) → 19 \*UUUUU\*QQQQQ# → Present the tag (only use the tag with the lowest number) → OK

[e.g.] Add 20 pcs sequential tags (62312~62331) to User Address NO.101 ~ NO.120:

Enter program mode → 19 \*00101\*00120# → Close Tag into RF Area (only use the tag NO.62312) → OK

#### • Delete Single Tag

Input \*123456# (or Master Code) → 10 \*SSSSS9)EEEE#

[e.g.] Delete User Address: 00058

Enter program mode → 10 \*000589)00058#

#### • Delete a batch of Tags

Input \*123456# (or Master Code) → 10 \*SSSSS9)EEEE#

[e.g.] Delete User Address: 00101~00245

Enter program mode → 10 \*001019)00245#

#### • Delete All Tags

Input \*123456# (or Master Code) → 29 \*29\*#

### Tag Information (125kHz) ※ For Mifare tags, the separator between Site Code & Card Code is comma \*\*,



### M6 ※In this mode, User Address = Card Code ※In this mode, Card and PIN, If you want to modify refer to password setting 17 \*

#### • Add Tags

Input \*123456# (or Master Code) → 11 \*SSSSS\*EEEE# → OK

[e.g.] Add User Address: 00100~01254

Enter program mode → 11 \*00100\*01254# → OK

• Add tag by presenting: Input \*123456# (or Master Code) → 22 \*1# → Present the tag to Access Controller → OK

• Delete tag by presenting: Input \*123456# (or Master Code) → 22 \*0# → Present the tag to Access Controller → OK

• Delete All Tags: Input \*123456# (or Master Code) → 29 \*29\*#

#### • Delete Tags

Input \*123456# (or Master Code) → 10 \*SSSSS\*(or 9)EEEE# → OK

[e.g.] Delete a tag with card code 62362

Enter program mode → 10 \*62362\*62362# → OK

## Operation process

### A. Enter / Exit Program Mode

#### • Enter the program mode

Input \*123456# or \*PPPPPP#

[e.g.] The Default Value= 123456, if the Master Code is already changed= 876112, input \*876112# → program mode entered

#### • Exit the program mode

Input \*#

#### • Master Code modification

Enter program mode → 09 \*PPPPPPRRRRR# [Input the 6-digit new master code twice.]

[e.g.] Set the Master code to be 876112, input \*123456# → 09 \*876112876112#

### B. Change the Node ID of Controller

Enter program mode → 00 \*NNN# [Node ID: 001~254; if the access controller is connected to AR-716E, its Node ID will be 001~016.]

### C. Set up M4/M6/M8

Enter program mode → 04 \*N# [N=4/6/8]

### D. Set up the password

#### • M4/M8: Private PIN

**Card or PIN:** Enter program mode → 12 \*UUUUU\*PPPP# [e.g. User Address: 00001 and pass code: 1234, input 12 \*00001\*1234#]

**Card and PIN:** Enter program mode → 13 \*UUUUU\*PPPP# [e.g. User Address: 00001 and pass code: 1234, input 13 \*00001\*1234#]

#### • M6: Public PIN

**Card or PIN:** Enter program mode → 15 \*PPPP# [Input 4-digit PIN, default value: 4321; PPPP=0000: cancel the function of simply inputting PIN to get access]

**Card and PIN:** Enter program mode → 17 \*PPPP# [Input 4-digit PIN, default value: 1234; PPPP=0000: access mode will be "Card Only"]



## E. Double Door Control (M4/M8)

Controller with a reader to perform the "Double Door Control".

Enter program mode → 28 \* 064 # [064= Double Door Control]

## F. Anti-pass-back (M4/M8)

Usually, anti-pass-back is commonly applied to parking areas in order to prevent from multi-entry with one card at a time, or to locations that need entry and exit control.

### • Enable controller

Enter program mode → 20 \* DDD # [128= Anti-pass-back(0=Disable; 1=Enable)/ 064=Entrance/Exit(0=Exit; 1=Entrance).]

[e.g.] Enable Anti-pass-back, and set to Exit door= (128 x 1) + (064 x 0) = 128

Enter program mode → 20 \* 128 # (Please refer to function default value for details.)

### • Enable card

Enter program mode → 26 \* SSSSS \* EEEEE \* N #

[SSSSS= Starting User Address; EEEEE= Ending User Address; N=0(control)/ 1(Not control)/ 2(reset)]

[e.g.] Enable the anti-pass-back function of User Address from 00152 to 00684: 26 \* 00152 \* 00684 \* 0 #

[e.g.] The anti-pass-back function of User Address 00154 has been enabled. After presenting the card to get in, the user doesn't present the card to leave. When s/he tries to present the card to get in again, since the in-in sequence violates the anti-pass-back rule, s/he will be rejected. To solve this problem, you can reset it as follows. Enter program mode → 26 \* 00154 \* 00154 \* 2 # → Reset

## G. Auto-Open Time Zone

Door will remain open after the first flashing card. There are 2 time zones supported when Standalone, and 63 time zones when connected to AR-716E.

### • Enable/Disable auto-open time zone

Enter program mode → 20 \* 004 # [004= enable Auto-Open Time Zone; 000= disable Auto-Open Time Zone]

### • Enable/Disable auto open door without presenting card

Enter program mode → 24 \* 001 # [001= enable Auto-Open Time Zone; 000= disable Auto-Open Time Zone]

### • Set up auto-open time zone

Enter program mode → 08 \* N \* HHMMhhmm \* 7123456H #

N: 2 sets of auto-open zone (N=0=1st set; N=1=2nd set)

HHMMhhmm=Staring time to ending time (e.g. 08301200=08:30 to 12:00)

7123456H= 7 days of a week (Sun/Mon/Tue/Wed/Thu/Fri/Sat) + Holiday (H= 0: disable; 1: enable); Holidays can be set via 701Client software.

[e.g.] To set the second time zone as 9:30 AM to 4:20 PM, Monday, Wednesday and Friday: 08 \* 1 \* 09301620 \* 01010100 # → Done

## H. Lift control

Connect with AR-401-RO16 to control access floors of users.

### • Enable

Enter program mode → 24 \* 002 # [002= enable lift control]

### • Single floor

Enter program mode → 27 \* UUUUU \* FF #

UUUU=User Address FF=Floor number (01~32 floor)

[e.g.] User Address NO. 45, allowed to access the 24th floor: 27 \* 00045 \* 24 #

### • Multi floors

Enter program mode → 21 \* UUUUU \* S \* FFFFFFFF #

[UUUUU=User Address S: 4 sets of lift control (Input: 0~3) FFFFFFFF: 8 floors setting (F=0: Disable, F=1: Enable)]

[e.g.] User Address NO. 168, only to the 6th and the 20th floor:

Enter program mode → 21 \* 00168 \* 0 \* 00100000 # → 21 \* 00168 \* 2 \* 00001000 #

Please refer to below floor chart

Set	Floor/ Stop							
	F	F	F	F	F	F	F	F
0	8	7	6	5	4	3	2	1
1	16	15	14	13	12	11	10	9
2	24	23	22	21	20	19	18	17
3	32	31	30	29	28	27	26	25

# Access Controller

## I. Setting Up the Arming

### Alarm conditions:

1. Arming is enabled
2. Alarm system connected

### Application:

1. **Door open too long:** Door is open longer than door relay time plus door close time.
2. **Force open** (Opened without a valid user card): Access by force or illegal procedure.
3. **Door position abnormal:** Arming is enabled and the power is suddenly off then on.

### Enable/Disable Arming status (for M4/M8; default value of arming PWD is: 1234) :

Standby Mode	
After door open	Do not open the door
The normal procedure to open door → Input 4-digit arming PWD #	* → Input 4-digit arming PWD → Present a valid card
Enter Program Mode	
Enable: Enter program mode → * * #	Disable: Enter program mode → * #

※ [The normal procedure to open door] can refer to [Access Mode].

## Function Default Value

### AR-321-H / AR-331-H / AR-721-H / AR-725-H / AR-757-H

20 * DDD #	※Default Value			
Function	Selection		Value	Application
Time Attendance	※0: Yes	1: No	001	Networking
Auto Relock	※0: Disable	1: Enable	002	Networking/Standalone
Auto Open	※0: Disable	1: Enable	004	Networking/Standalone
Exit by RTE Button	0: Disable	※1: Enable	016	Networking/Standalone
Master Controller of Network	※0: Slave	1: Mater	032	Networking
Entrance/Exit	※0: Exit	1: Entrance	064	Networking
Anti-pass-back	※0: Disable	1: Enable	128	Networking

28 * DDD #	※Default Value			
Function	Selection		Value	Application
Double Door Control	※0: Disable	1: Enable	064	Networking/Standalone
Force Open Alarm Output	0: Disable	※1: Enable	128	Networking/Standalone

Select the desired function, Weighted Value = Selection Index (0 or 1) x Value.  
[e.g.] DDD (total weighted value of all functions): Enable "Auto Open" + "Exit by RTE Button" + "Anti-pass-back" = 1\*004 + 1\*016 + 1\*128 = 148; As a result of that, the command will be 20 \* 148 #.

### AR-321-H / AR-331-H / AR-721-H / AR-725-H

24 * DDD #	※Default Value			
Function	Selection		Value	Application
Auto Open without Presenting in Auto-open Time Zone	※0: Disable	1: Enable	001	Networking/Standalone
Alarm Output/ Lift Control	※0: Alarm Output	1: Lift Control	002	Networking/Standalone
Stop Alarm by pressing RTE Button or Closing the Door	0: None	※1: Yes	064	Networking/Standalone
Doorbell	※0: Disable	1: Enable	128	Networking/Standalone

### AR-757-H

24 * DDD #	※Default Value			
Function	Selection		Value	Application
Auto Open without Presenting in Auto-open Time Zone	※0: Disable	1: Enable	001	Networking/Standalone
Lift Control/ Duress Function	※0: Duress	1: Lift Control	002	Networking/Standalone
Stop Alarm by pressing RTE Button or Closing the Door	0: None	※1: Yes	064	Networking/Standalone

## M4 / M6 / M8

Mode	Networking/ Standalone	User Capacity	Access Mode	Auto-show Duty time	Event log Capacity	120 Holidays	Duress Function	Time Zone	Lift Control	Anti-pass-back
M4	Networking/ Standalone	1,024 {721-H/757-H} 3,000 {321-H/331-H/725-H}	1. Card only 2. Card and PIN (4-digit PIN) + # 3. User Address (5-digit) + PIN (4-digit Private PIN) + #	Yes	1,200 721-H 1,500 321-H/331-H/725 (H) 3,000 757-H	Yes	Yes	11	32	Yes
M6	Standalone	65,535	1. Card only (using 17* command to set Arming PWD as 0000) 2. Card and PIN (4-digit public PIN= Arming PWD) + # 3. Card or PIN (4-digit public PIN= Duress code)	No	No	No	No	No	No	No
M8	Networking/ Standalone	1,024 {721-H/757-H} 3,000 {321-H/331-H/725-H}	1. Card only 2. Card and PIN (4-digit Private PIN) + # 3. Card or PIN (4-digit Private PIN)	Yes	1,200 721-H 1,500 321-H/331-H/725 (H) 3,000 757-H	Yes	Yes	11	32	Yes

※ M6: the user capacity can be 65535 because it only reads 5-digits CARD CODE, while in M4/M8 it reads both SITE CODE and CARD CODE(10 digits).

## Factory Reset by its commands

### When the device is Standalone (not networking)

Enter program mode → 20 \* 016 # → 24 \* 064 # → 26 \* 00000 \* 01023 \* 1 # → 28 \* 000 # → 29 \* 29 \* #

※Note: if the Master Code has been changed, factory reset won't restore the Master Code to 123456.



## Command List

Function	Command	Description	Mode
Enter program mode	* P P P P P #	PPPPPP=Master Code, default value=123456	M4/M6/M8
Exit program mode	* #		M4/M6/M8
Exit program mode and enter arming mode	* * #		M4/M8
Node ID setting (Connected to 716E)	00 * N N N #	NNN=Node ID of Access Controller (range: 001~016)	M4/M8
Node ID setting (Connected to the PC directly without 716E)	00 * N N N * V V V * n n n #	NNN=Node ID of Access Controller (range: 001~254) VVV=Virtual 716E Node ID, nnn=Door number (range:001~254)	M4/M8
Mifare tag / card format (Optional)	01 * N #	N: 0=ISO14443A; 1=ISO14443B; 2=ISO15693; 3=I Code1; 4=I Code2 PS.1. Please select the transmission standard first. 2. Ensure both reader and card using the same transmission standard.	M4/M8
Door Relay Time setting	02 * T T T #	TTT=Door relay time 000= Output continuously 001~600=1~600 sec. 601~609=0.1~0.9 sec.	M4/M6/M8
Alarm Relay Time setting	03 * T T T #	TTT=Alarm relay time 000= Output continuously 001~600=1~600 sec.	M4/M6/M8
Control mode setting	04 * N #	N=4: M4; N=6: M6; N=8: M8	M4/M6/M8
Arming Delay Time setting	05 * T T T #	TTT=the buffer time before entering arming mode 001~600=1~600 sec.	M4/M6/M8
Alarm Delay Time setting	06 * T T T #	TTT=the buffer time before the alarm is activated 001~600=1~600 sec.	M4/M6/M8
Master card (Administrator) setting	07 * S S S S * E E E E #	SSSSS-EEEE=00000-01023 (00000-03000 for AR-725H); SSSSS=Starting User Address; EEEEE=Ending User Address	M4/M8
Auto-open time zone setting	08 * N * H H M M h h m m * 7 1 2 3 4 5 6 H #	N= 0 (1st time zone) / 1 (2nd time zone) HHMM= Starting time; hhmm= ending time (i.e.: 08301600=08:30 to 16:00) 7123456H= 7 days of week (Sun/Mon/Tue/Wed/Thu/Fri/Sat)+ Holiday (H= 0: disable; 1: enable); Holidays can be set by 701Client software.	M4/M6/M8
Master code setting	09 * P P P P P R R R R R R #	PPPPPP=6-digit new master code RRRRRR=Reconfirm the new master code	M4/M6/M8
Suspend / Delete tag	10 * S S S S * E E E E # (M6) 10 * S S S S 9 E E E E # (M4/M8)	* =Suspend 9 =Delete; SSSSS=Starting User Address, EEEEE=Ending User Address	M4/M6/M8
Add a batch of sequential cards by inputting card number (M6)	11 * S S S S * E E E E #	SSSSS=Starting card number EEEE=Ending card number	M6
Recover the suspended cards	11 * S S S S * E E E E #	SSSSS=Starting User Address EEEE=Ending User Address	M4/M8
Set the access mode of the user at the designated User Address as "Card or PIN"	12 * U U U U * P P P P #	Access mode: <b>Card or PIN</b> ; UUUUU=User Address; PPPP=4-digit private PIN (0001~9999); <b>0000=Card Only</b> for this user	M4/M8
Set the access mode of the user at the designated User Address as "Card & PIN"	13 * U U U U * P P P P #	Access mode: <b>Card &amp; PIN</b> ; UUUUU=User Address; PPPP=4-digit private PIN (0000~9999)	M4/M8
Arming Pulse Time setting	14 * T T T #	TTT=Arming output time; 000=output continuously 001~250=0.1~2.5 sec.	M4/M8
M4/M8:Duess code setting M6:Public PIN setting for access mode "Card or PIN"	15 * P P P P #	PPPP=4-digit duress code (0001~9999; default value=4321; <b>0000</b> =disable the function of simply inputting PIN to get access in M6)	M4/M6/M8
Card number modification	16 * U U U U * S S S S C C C C #	UUUUU= User Address; SSSSS=5-digit site code; CCCC=5-digit card code	M4/M8
M4/M8:Arming PWD setting M6:Public PIN setting for access mode "Card & PIN"	17 * P P P P #	PPPP=4-digit Arming PWD (0001~9999; default value=1234; <b>0000</b> = access mode will become "Card Only" in M6)	M4/M6/M8
Door Close Time	18 * T T T #	TTT=Door Close Time: 001~600=1~600 sec.; default value: 15 sec.	M4/M6/M8
Add card by presenting(M4/M8)	19 * U U U U * Q Q Q Q #	UUUUU=User Address; QQQQ=Card quantity ( <b>0001</b> : for adding a single card or a batch of random numbering cards)	M4/M8
Reader additional setting	20 * D D D #	Please refer to function default value for details.	M4/M6/M8
Lift control setting: multi-floor	21 * U U U U * S * F F F F F F #	UUUUU=User Address, S=4 sets of lift control (0~3); FFFFFFFF=8 assigned floor (F=0: Disable, 1: Enable)	M4/M8
Add/Delete tag by presenting (M6 only)	22 * N #	N=0(Delete tag); N=1(Add tag)	M6
AR-401RO16 Lift Relay Activated TM	23 * N N N * T T T #	NNN=site number, TTT= relay time: 000~600=1~600 sec.	M4/M8
Controller parameter setting	24 * D D D #	Please refer to function default value for details.	M4/M6/M8
Controller time clock setting	25 * Y Y M M D D H H m m s s #	YYMMDDHHmmss: Year/ Month/ Day/ Hour/ Min./ Sec.	M4/M6/M8
Anti-pass-back (Enable user)	26 * S S S S * E E E E * N #	SSSSS=Starting User Address; EEEEE=Ending User Address; N=0: Enable; N=1: Disable; N=2: Reset	M4/M8
Lift control setting: single floor	27 * U U U U * F F #	UUUUU=User Address; FF=Floor (01~32 floor)	M4/M8
Double Door Control / Force Open Alarm	28 * D D D #	Please refer to function default value for details.	M4/M6/M8
Delete all tags	29 * 2 9 * #		M4/M6/M8

# Access Controller

Function	Command	Description	Mode
Enable the security trigger signal ( with AR-721RB)	34 * DDD #	Change the "Arming" (in 25) to the security trigger signal, when controller is connected with AR-721RB. Please refer to function default value for details.	M4/M6/M8

34 * DDD #		※Default Value		
Function	Selection	Value	Application	
Enable the RF after door sensor closed to GND	※0: Deactivate 1: Activate	001	Networking/Standalone	
Invalid card to activate alarm relay	※0: Deactivate 1: Activate	002	Networking/Standalone	
Turn off all sounds of beeper	※0: Deactivate 1: Activate	003	Networking/Standalone	
Mute the sounds of egress button (RTE)	※0: Deactivate 1: Activate	004	Networking/Standalone	
Reserved	※0: Deactivate 1: Activate	016	Networking/Standalone	
Keep beeping while arming is enabled	※0: Deactivate 1: Activate	032	Networking/Standalone	
Door relay connected to AR-721RB (suited to models without relay built-in)	※0: Deactivate 1: Activate	064	Networking/Standalone	
Arm relay connected to AR-721RB (suited to models with relay built-in)	※0: Deactivate 1: Activate	128	Networking/Standalone	

