



S SD9362-EH/EHL series Speed Dome Network Camera

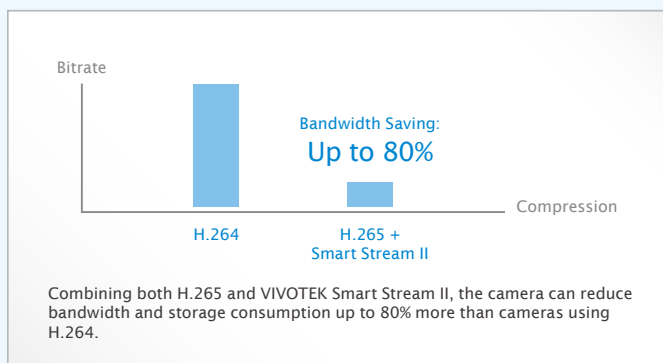


H.265 · 1080P Full HD · 30x Zoom · WDR Pro · Smart Stream II · NEMA 4X · IP68 · IK10 · -40°C ~ 55°C · EIS · Defog · 60W UPoE

VIVOTEK's SD9362-EH/EHL is a high performance H.265 Full HD speed dome network camera. Armed with a 30x optical zoom lens, the camera is able to capture fine details at top-notch quality. By combining both H.265 and VIVOTEK's Smart Stream II technology which enables the camera to optimize quality for desired regions and therefore to maximize efficiency of bandwidth usage, it is capable of reducing both bandwidth and storage consumption by up to 80%* while maintaining the highest standard of image quality.

Offering extra smooth video quality with resolutions of up to 60 fps at 1920x1080, the SD9362-EH/EHL is also equipped with WDR Pro technology and IR-cut filter for seamless day/night operation. This enables the camera to cope effortlessly with the challenging lighting conditions faced in 24/7 surveillance. Further, the water-proof IP68-rated, vandal-proof IK10-rated and NEMA 4X-rated housing of the SD9362-EH/EHL protects the camera body against rain, dust and corrosion and provides a wide operating-temperature range of between -40°C and 55°C. This combination of robustness and high performance ensures that the SD9362-EH/EHL is especially suitable for monitoring wide, open, harsh indoor or outdoor spaces such as airports, highways and parking lots where high-level reliability and precision are called for.

* Depending on scene being monitored

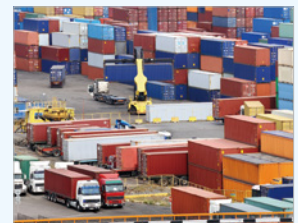


Key Features

- H.265 Compression Technology
- 1080P Full HD CMOS Sensor
- 60 fps @ 1920x1080
- 30x Optical Zoom
- Removable IR-cut Filter for Day & Night Function
- 360° Continuous Pan and 220° Tilt
- WDR Pro for Unparalleled Visibility in High Contrast Environments
- Smart Stream II to Optimize Bandwidth Efficiency
- Weather-proof IP68-rated, Vandal-proof IK10-rated and NEMA4X Housing
- -40°C ~ 55°C Wide Temperature Range for Extreme Weather Conditions
- Audio Detection for Instant Alerts
- Auto Tracking for Moving Objects
- Built-in MicroSD/SDHC/SDXC Card Slot for On-board Storage
- Defog
- EIS



Airport



Port



City Surveillance



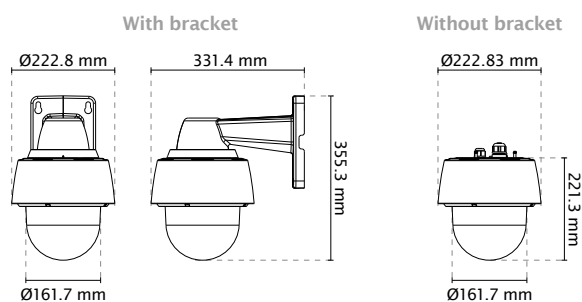
Extreme Weather

Technical Specifications

Model	SD9362-EH(with Bracket, IO Cable) SD9362-EH(without Bracket, IO Cable) SD9362-EHL(with Bracket, IO Cable) SD9362-EHL(without Bracket, IO Cable)
System Information	
CPU	Multimedia SoC (System-on-Chip)
Flash	128MB
RAM	512MB
Camera Features	
Image Sensor	SD9362-EH: 1/2.8" Progressive CMOS SD9362-EHL: 1/3" Progressive CMOS
Maximum Resolution	1920x1080 (2MP)
Lens Type	30x Optical Zoom, Auto Focus
Focal Length	f= 4.3 ~ 129 mm
Aperture	F1.6 ~ F4.7
Auto-iris	DC-iris
Field of View	SD9362-EH: 2° ~ 64° (Horizontal) 1° ~ 39° (Vertical) 3° ~ 71° (Diagonal) SD9362-EHL: 2° ~ 59° (Horizontal) 2° ~ 45° (Vertical) 3° ~ 71° (Diagonal)
Shutter Time	SD9362-EH: 1 sec. to 1/10,000 sec. SD9362-EHL: 1/8 sec. to 1/30,000 sec.
WDR Technology	WDR Pro
Day/Night	Removable IR-cut filter for day & night function
Minimum Illumination	SD9362-EH: 0.5 Lux @ F1.6 (Color) 0.01 Lux @ F1.6 (B/W) SD9362-EHL: 0.42 Lux @ F1.6 (Color) 0.01 Lux @ F1.6 (B/W)
Pan Speed	0.05° ~ 450°/sec.
Pan Range	360° endless
Tilt Speed	0.05° ~ 450°/sec.
Tilt Range	220° (-110° ~ +110°)
Preset Locations	256 preset locations, 128 presets per tour
Pan/Tilt/Zoom Functionalities	SD9362-EH: 48x digital zoom (4x on IE plug-in, 12x built-in) Auto pan mode Auto patrol mode SD9362-EHL: 128x digital zoom (4x on IE plug-in, 32x built-in) Auto pan mode Auto patrol mode
On-board Storage	Slot type: MicroSD/SDHC/SDXC card slot Seamless Recording
Video	
Compression	H.265, H.264, MJPEG
Maximum Frame Rate	H.265 & H.264: 60 fps @ 1920x1080 MJPEG: 30 fps @ 1920x1080
Maximum Streams	4 simultaneous streams
S/N Ratio	SD9362-EH: 63 dB SD9362-EHL: 53 dB
Dynamic Range	SD9362-EH: 130 dB SD9362-EHL: 110 dB
Video Streaming	Adjustable resolution, quality and constant bit rate control; Smart Stream II
Image Settings	Time stamp, text overlay, flip & mirror; Configurable brightness, contrast, saturation, sharpness, white balance, exposure control, gain, backlight compensation, privacy masks (up to 24); Scheduled profile settings, EIS, 3DNR, defog, HLC
Audio	
Audio Capability	Two-way Audio (Full duplex)
Compression	G.711, G.726
Interface	External microphone input External line output
Network	
Users	Live viewing for up to 10 clients

Protocols	IPv4, IPv6, TCP/IP, HTTP, HTTPS, UPnP, RTSP/RTP/RTCP, IGMP, SMTP, FTP, DHCP, NTP, DNS, DDNS, PPPoE, CoS, QoS, SNMP, 802.1X, NTCIP, ICMP, ARP, SSL, TLS
Interface	10 Base-T/100 BaseTX Ethernet (RJ-45) *It is highly recommended to use standard CAT5e & CAT6 cables which are compliant with the 3P/ETL standard.
ONVIF	Supported, specification available at www.onvif.org
Intelligent Video	
Video Motion Detection	Five-window video motion detection
Auto-Tracking	Auto-tracking on moving object
Alarm and Event	
Alarm Triggers	Motion detection, manual trigger, digital input, periodical trigger, system boot, recording notification, audio detection
Alarm Events	Event notification using digital output, HTTP, SMTP, FTP, NAS server and SD Card File upload via HTTP, SMTP, FTP, NAS server and SD card
General	
Connectors	RJ-45 cable connector for Network/PoE connection Audio input Audio output 24VDC / 24VAC power input Digital input*4 Digital output*2 RS-485
LED Indicator	System power and status indicator
Power Input	24VDC 24VAC 60W UPoE
Power Consumption	Max. 48/26 W (Heater on/off)
Dimensions	Ø 162 x 221 mm
Weight	4.35 kg (with bracket) 2.95 kg (without bracket)
Casing	Weather-proof IP68-rated, Vandal-proof IK10-rated, and NEMA 4X-rated mated housing
Safety Certifications	CE, FCC Class A, VCCI, C-tick, UL, NEMA 4X
Operating Temperature	Starting Temperature: -40°C ~ 55°C (-40°F ~ 131°F) Working Temperature: -40°C ~ 55°C (-40°F ~ 131°F)
Humidity	90%
Warranty	36 months
System Requirements	
Operating System	Microsoft Windows 8/7
Web Browser	Mozilla Firefox 7~43 (streaming only) Internet Explorer 10/11
Other Players	VLC: 1.1.11 or above Quicktime: 7 or above
Included Accessories	
CD	User's manual, quick installation guide, Shepherd, VAST
Others	Wall mount bracket*, I/O combo cable*, screws, waterproof connectors, quick installation guide, alignment sticker, L-wrench, software CD, desiccant bags *: Standard package for SD9362-EH/EHL(with Bracket, IO Cable).

Dimensions



Compatible Accessories

Mounting Kits		Others		
 AM-220 Wall Mount Bracket	 AM-529 Mounting Adapter	 AJ-001 USB Joystick	 AJ-002 USB Joystick	 AO-003 I/O Combo Cable
Cabinet				
 AT-CAS-001 Cabinet for Speed dome, IP66, IK10	 AT-CAB-002 Cabinet for HLG Power Supply	 AT-SUN-002 Sunshield	 AT-SWH-000 Power Safety Kit	
PoE Kit/Power Adapter				
24VDC				
 AW-IHS-0200/0201/0203 Industrial Fiber Media Converter	+	 HLG-80H-24 Industrial 24VDC/80W Power Supply, IP67		 HLG-80H-24 Industrial 24VDC/80W Power Supply, IP67
24VAC				
 AA-341 AC 24V 3.5A Power Adapter			 AA-352 Outdoor Power Box, 24VAC/144W, IP67, IK10	
60W UPoE				
 AW-IHU-0100 Industrial 1xGE 60W UPoE Injector	+	 HLG-80H-54 Industrial 54VDC/80W Power Supply, IP67		
 AW-IHU-0200 Industrial 1xGE 60W UPoE + 1x SFP GE Switch	+	 HLG-80H-54 Industrial 54VDC/80W Power Supply, IP67		
 AW-IHU-0600 Industrial 4xGE 60W UPoE + 2xGE SFP Switch	+	 HLG-240H-54 Industrial 54VDC/240W Power Supply, IP67		
 AP-GIC-011A-060 1xGE 60W UPoE Injector with Surge Protection 12KV			 AP-GIC-015B-095 Outdoor 1xGE 95W PoH/PoE Injector with Surge Protection 12KV, IP67, IK10	
 AW-GEU-080A-250 Unmanaged 2xGE 60W UPoE Switch				