



ND9322P

H.265 8-CH Embedded PoE NVR

H.265/H.264 • 4K Display • 8 x PoE Port • RAID 0, 1 • Fisheye Dewarp • Web Plugin Free • Cybersecurity

- H.265/H.264 Compression Technology
- 4K Display for Clear and Detailed Monitoring
- Live and Playback Fisheye Dewarp
- Smart Search II
- Smart VCA Event Search
- Cybersecurity Management
- Trend Micro IoT Security
- VIVOTEK's Smart Stream II to Optimize Bandwidth Efficiency
- 802.3at/af Compliant PoE port x 8
- RAID 0, 1 Supported to Prevent from Recording Data Loss
- Multiple Browsers Supported: IE, Chrome and Firefox on both Windows & macOS
- Supports VCA Counting Solution



Technical Specifications

Device

Model	ND9322P
OS	Embedded Linux
CPU	ARM Processor
Flash	256 MB
RAM	1 GB
Watchdog	Hardware + Software
Power Restoration	System Restart Automatically after Power Recovery

Local Display

LiveView Display	8 Channels Multi-Layout Display: 1x1, 3V, 2x2, 3x3, 1P+3, 1M+5, 1P+6
Video Output	HDMI x1, VGA x1
Display Resolution	3840x2160, 1920x1080, 1280x720
Camera Position	Change the viewcell position on the Live View screens
Stream Application	Constant\Auto Adaptive Stream
Monitor Enhancement	OSD display (NVR), OSD display (camera), camera information, remote I/O control, event notification, aspect ratio
Fisheye Dewarp	10, 1P, 1R, 1O3R, 1O8R
PTZ Operation	Direction Control, Home, Iris, Preset, Patrol (Group), PiP Control

Video

Video Format	H.265, H.264, MJPEG
Graphic Decoder	Hardware decoding
Decoding Resolution	Up to 3840x2160
Decoding Capability	3840x2160 @ 30 fps (1-CH) 1920x1080 @ 120 fps (4-CH) 1280x720 @ 240 fps (8-CH)

Audio

Audio Format	G.711, G.726
Audio In/Out	3.5 Phone jack audio output x1 3.5 Phone jack audio input (reserved) x1

Record


Recording Time (sec.)	Pre-Record: 5 (Max. 10) Post-Record: 20 (Max. 300)
Recording Stream	Single
Recording Throughput	128Mbps
Recording Mode	Continuous, Schedule, Manual, Event, Activity Adaptive Streaming
Recording Setting	Recycle (unit: Day)
Watermark	Supported

Storage & Backup

HDD Devices	Internal x2 (3.5") *HDD is purchased by separately.
HDD Max. Capacity	*Please refer to the HDD supported list on the VIVOTEK website.
RAID	RAID 0, 1 (single volume up to 16TB)
Disk Management	Create, Format and Remove Disk HDD S.M.A.R.T.
External Storage	USB Storage (USB 3.0)
Video Clip Export	USB Dongle (FAT Format)
Schedule Backup	FTP

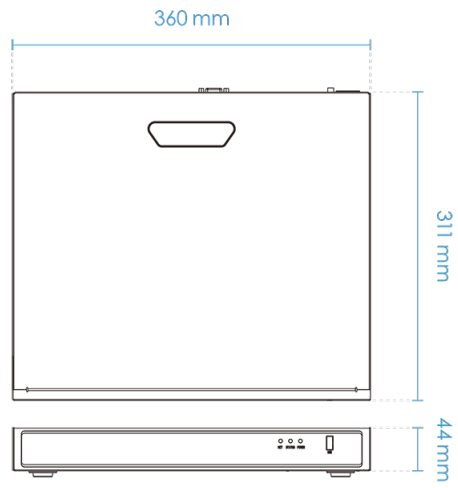
Playback

Playback Display	4 Channels Multi-Layout Display: 1x1, 2x2, 1P+3, 1V+3
Playback Control	Regular (play, pause, stop), rewind, next/previous frame, speed control, calendar, event, timeline, timeline scale, thumbnail (storyboard)
Video Search	By calendar, date/time, and alarm
Thumbnail Explorer (Storyboard)	Listing the thumbnail of recorded video (Max. 2-CH)
Snapshot	JPEG
Video Clip Export	EXE
Network	
Ethernet	10/100/1000Mbps Ethernet (RJ-45) x1
Video Throughput for Remote Client	64Mbps
PoE	802.3at/af compliant PoE ports x 8 (Total Max. 120 W) * DO NOT suggest connecting any non-PD device with this NVR PoE port in order to avoid potential risk.
Protocols	IPv4, TCP/IP, HTTP, HTTPS, UPnP, RTSP/RTP/RTCP, SMTP, FTP, DHCP, NTP, DNS, DDNS, IP Filter
External Interface	
USB	Front: 1 (USB 2.0) Back: 1 (USB 3.0)
Alarm In	4
Alarm Out	1
Audio	3.5 Phone Jack Audio Output x1 3.5 Phone Jack Audio Input (Reserved) x1
System	
POS Integration	Supported (by project request)
UPS Integration	Supported (by project request)
Camera Integration	ONVIF Profile S
Event	Motion Detection, Smart VCA Event, Cyber Attack, PIR Detection, Tampering Detection, Camera DI/DO, Camera Disconnected, Disk Failure, Disk Full, NVR DI/DO
Event Action	Video recording, email with snapshot, buzzer, PTZ, FTP, DO (camera, system), full screen, send to CMS, VIVOCLOUD APP Notification
User Management	User level: administrator, regular user
Log	System, recording, user, error
Date & Time	Time Zone, Manual, Automatic Sync NTP, Daylight Saving Time
Advanced Features	
VCA Counting Solution	Supported
VCA Event Search	Supported
Smart Search II	Supported
Trend Micro IoT Security	Supported
Cybersecurity Management	Supported
Remote Client	
Software AP	Shepherd, VAST 2
Mobile/Tablet App	iViewer (Android & iOS)
Web Browser	Internet Explorer 10 (32 bit) or above/ Windows Chrome v68.0.3 & Firefox v61.02 or above/ Windows & macOS
VIVOCLOUD	Supported
General	
Power Input	100-240V AC, 50/60Hz
Power Consumption	Max. 170 W
Dimensions	360 (W) x 311 (D) x 44 (H)mm
Weight	3.16 kg (without HDD)
Operating Temperature	0°C ~ 40°C (32°F ~ 104°F)



Humidity	0 ~ 95%
Safety Certifications	CE, FCC, VCCI, C-Tick, UL, CB, BSMI
Warranty	24 months

Dimensions



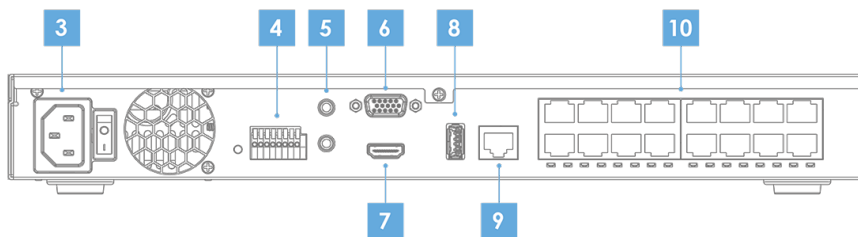
Ordering Information

Model	Description	P/N
ND9322P	H.265, 8CH, 8 PoE, 2HDD NVR	100194000G, US
		100194010G, EU
		100194020G, UK
		100194030G, AU

Mechanical Information



- | | |
|--|-----------------------|
| 1 LED Indicators | 5 Audio In/Out |
| 2 USB 2.0 | 6 VGA |
| 3 100-240V AC Power Input | 7 HDMI |
| 4 4 x Alarm In
1 x Alarm Out | |



- | |
|-------------------------------------|
| 8 USB 3.0 |
| 9 Ethernet |
| 10 16 x 802.3at/af PoE ports |