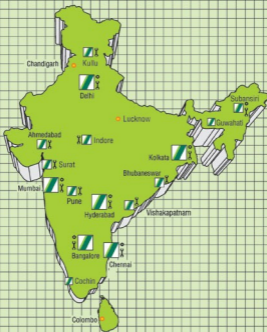




SPARE PARTS MANUAL
BP1800 EXTENDED ROCK

Customer Service in your Neighbourhood

SCHWING - Stetter
Service-Centers



○ Spares

⌘ Service

● Proposed Locations

Reach us Here

<p>Schwing Stetter India Regd. Office & works F 71 & 72, SIPCOT Industrial Park NH 4, Irungattukotai, Sriperumbudur Taluk, Kancheepuram District, Tamil Nadu - 602 105. Phone: 91 - 44 - 27156780 / 81 ,, 91- 44 - 47108100 Fax: 91 - 44 - 27156539 Email: schwing@vsnl.com</p>	<p>All India Service Managers P.N.Krishnakumar Mobile: 94440 71004 Email: Krishnakumar.pn @ schwingstetterindia.com V.Senthilkumar Mobile: 94440 71003 Email: Senthilkumar.v @ schwingstetterindia.com Phone : 91 - 44 - 47100030</p>	<p>Schwing GmbH Service Centre - Germany Heerstraee 9 27, Postfach 20 03 62 D - 44653 Heme D - 44647 Heme Phone: 0049 - 2325 - 9870 Fax: 0049 - 2325 - 72922 Email: info @ schwing.de</p>	<p>Stetter GmbH Service Centre - Germany Dr Karl-Lenz-Str.70 D-87700 Memmingen P.O.Box 1942, D - 87689 Memmingen Phone: 0049 - 8331 - 780 Fax: 0049 - 8331 - 78275 Email: info @ stetter.de</p>
<p>Schwing Stetter India Service - Mumbai Unit No.620/621, 6th floor, Nirmal Life Style Corporate Centre, LBS Marg, Mulund (West) Mumbai 400 080 Phone: 91 - 22 - 25624863 / 64 25935104 Fax: 91 - 22 - 25624865 / 66 Email: schwing@vsnl.com</p>	<p>Schwing Stetter India P Ltd Service Pune 48, Rastapeth, Shop No.1, 2 & 3, Arihant Court, Next to Employment Exchange Office, Behind Hotel Shanta Pune - 411 011 Phone 020 26055651 / 2 Fax : 020 2655653 Mobile : 93711 99496 93252 97481</p>	<p>Schwing Stetter India P Ltd Service Ahmedabad 103, Shivalik Arcade 100 feet, T.P.Anandnagar Sate te Road, Opp Auda Prahladnagar Garden Ahmedabad 380 051 Phone: 91-79-40064085 / 86 5545 7677 Fax. 91-79-40064084 Mobile : 93761 86465</p>	<p>Schwing Stetter India P Ltd Service Surat Mobile 93275 25422 Schwing Stetter India P Ltd Service Jamnagar Mobile 98602 15176</p>
<p>Schwing Stetter India P Ltd Service Delhi 19, Okhla Indl. Estate Phase II New Delhi 110 020 Phone : 91-11-42903013 / 3000 Fax : 91 - 11 - 42903030 Email :schwing.ndl@ schwingstetterindia.com</p>	<p>Schwing Stetter India P Ltd Service Kullu, HP Mobile 93135 55825</p>	<p>Schwing Stetter India P Ltd Service Jammu & Kashmir Mobile 94170 50207 Schwing Stetter India P Ltd Service Jaipur Mobile : 93515 55825</p>	<p>Schwing Stetter India P Ltd Service Lucknow Mobile 93350 29217</p>
<p>Schwing Stetter India Service - Hyderabad House No.8-3-231/W/30/A Plot No.30A, WCHS Road No.2, Jubilee Hills Hyderabad 500 033 Phone : 91-40-23541783 Mobile : 98480 37535 Email : schwinghyd@vsnl.net</p>	<p>M/s SCHWING Stetter (India) Pvt. Ltd. No.138/B, "Udayagiri Complex" 3rd Phase, KIADB Industrial Area Peenya, Bangalore – 560 058 Phone - 91-80-42438400</p>	<p>Schwing Stetter India Service Cochin No.35/1015, C Vee Yem Towers Ground Floor Pallarivottom Emakulam - 682 005 Phone : 91-484-4055544 Fax : 91-484-4055984 Mobile : 98463 12308</p>	
<p>Schwing Stetter India Service - Kolkata CL236, Salt Lake City Sector I Kolkata 700 091 Phone : 91-33-23594320/30 Fax : 91-33-23594326 Mobile : 94330 01809</p>	<p>Schwing Stetter India P Ltd Service Subansiri Mobile : 94351 89685</p>		

COPYWRITED - THIS SPARE PART LIST MUST NOT BE DUPLICATED, USED IMPROPERLY OR COMMUNICATED TO THIRD PARTIES WITHOUT OUR CONSENT - NOT EVEN BY WAY OF EXCERPT.

WHEN ORDERING SPARE PARTS PLEASE INDICATE IN ADDITION TO
THE SERIAL NO OF THE MACHINE -
AND
THE QUANTITY -
ALSO THE FOLLOWING:
DESIGNATION - AND PART NO: -

INDEX
SPARE PARTS CATALOGUE
CONCRETE PUMP BP 1800 D EXTENDED ROCK

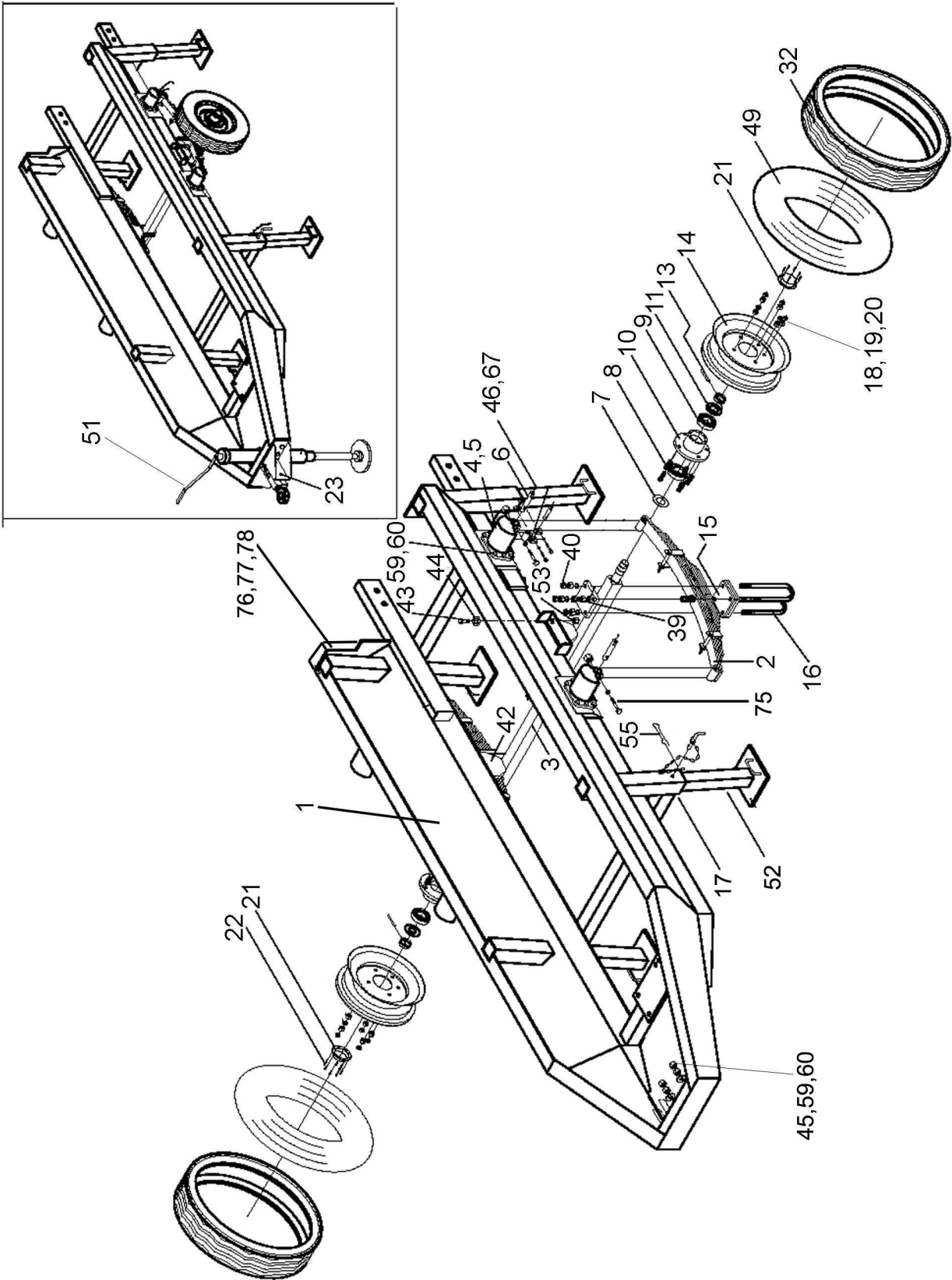
SCHWING STETTER

SL NO	DESCRIPTION	ID NUMBER
1	CHASSIS FRAME ASSEMBLY	80002061
2	SUPPORTING FRAME CPL.	80002619
3	PUMP KIT BR02 P 1620-120/80 RB	10199710
4	OUTLET DN 180 R WITH FIXTURE	10162289
5	HYDRAULIC SYSTEM BP 1500 BRO2 PUMP KIT	10180497
6	WATER TANK SPILLWAY	10185674
7	HOPPER WITH AGITATOR B ROCK	10192638
8	GRID IRON SUMMARY DN 70	10183176
9	CENTRAL LUBRICATION POINT BP 1500/2000 RMSS	10144601
10	DRIVE UNIT WITH DIESEL ENGINE KIRLOSKAR HA 694	80001224
11	FUEL SYSTEM 100 LITRE	80001332
12	HYDRAULIC TANK CPL. 400 LITRE	10178074
13	FILTER SYSTEM CPL.	80002768
14	SUCTION LINE DN 25 GEAR PUMP	10178776
15	SUCTION LINE DN 80 A11V0 130	10178777
16	PANELLING BP 1800 BRO2 KIRLOSKAR HA 694	80002370
17	OPERATING & CONTROL DEVICE BP 1500 D-DRIVE	10182209
18	HYDRAULIC SYSTEM BP 1800 BRO2 PRIME MOVER AND OPERATING	80001288
19	OIL COOLER 12V CPL.	10195178
20	STANDARD ACCESSORIES	80001353
21	HYDRAULIC CIRCUIT DIAGRAM BP 1500 HDR BRO2 D-DRIVE	10178963
22	FAST SWITCHING SYSTEM	80002688
23	LABELLING BP STANDARD	80003461
24	SUSPENSION FOR CONCRETE PUMP KIT	10181689
25	CONCRETE PUMP OUTLET PRESSURE RATING : PN 110 CONNEC. DN 180-125	10162327

INDEX
SPARE PARTS CATALOGUE
CONCRETE PUMP BP 1800 D EXTENDED ROCK

SCHWING STETTER

SL NO	DESCRIPTION	ID NUMBER
26	NAME PLATE CPL.	80003365
27	CONTROL PANEL FOR BP1800 D	80400180
28	CONCRETE PUMP PIPELINE ACCESSORIES	80000849
29	AIR COMPRESSOR ASSEMBLY FOR BP 1800 / 2800 HDR (OPTIONAL)	80003170



Material 80002061

CHASSIS FRAME ASSEMBLY

Item	Qty	Unit	ID No	Description
1	1	NO	80002140	CHASSIS FRAME - BP 1800
2	2	NO	80000875	LEAF SPRING (11 LEAVES)
3	1	NO	80001616	RUNNING AXLE FOR 4000 kg
4	2	NO	80000475	SHACKLE
5	4	NO	80000476	HANGER
6	6	NO	80000477	SPRING - PIN
7	2	NO	80000478	DISC Ø89(OD) x Ø51(ID) x 1mm thk, Matl. St 37
8	2	NO	80000479	TAPER ROLLER BEARING - 30210 J2/Q
9	2	NO	80000480	TAPER ROLLER BEARING - 30209 J2/Q
10	2	NO	80001615	AXLE HUB
11	2	NO	80000482	DISC Ø84(OD) x Ø46(ID) x 1mm thk, Matl. St 37
13	2	NO	80000484	COTTER - PIN 5 x 70 DIN 94 ISO 1234
14	2	NO	80001617	STEEL WHEEL 6.00G X 16 WHEEL CODE: CV 386
15	4	NO	80000307	BRAKE AXLE SUPPORT PLATE
16	4	NO	80000487	M20 - U Bolt
17	4	NO	10159932	SOCKET PIN CPL
18	12	NO	80001618	WHEEL BOLT M18X1.5X53 (KNURLED) Gr. 10.9 TVS CATALOG CODE : M24540

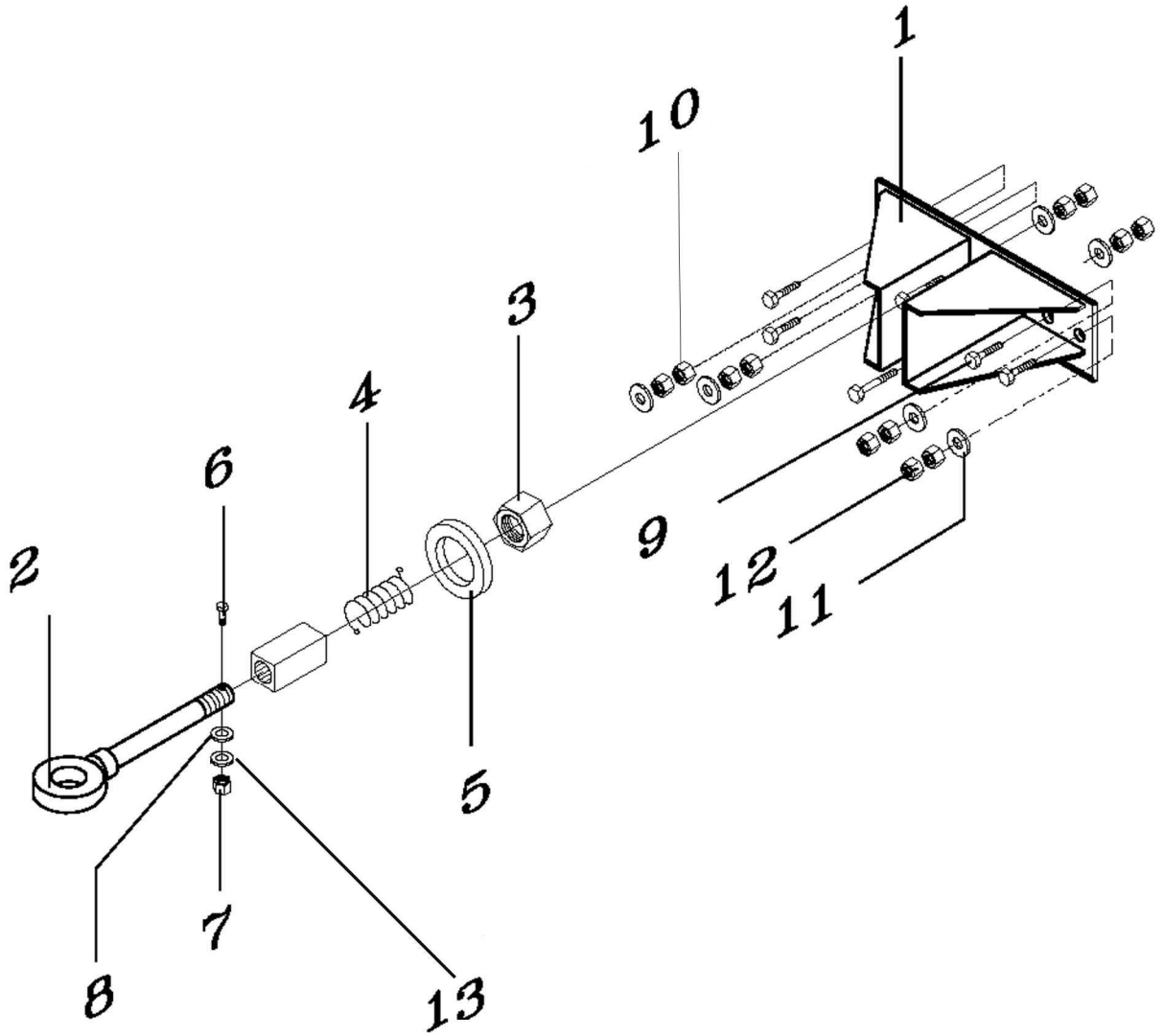
Material 80002061

CHASSIS FRAME ASSEMBLY

Item	Qty	Unit	ID No	Description
19	12	NO	80001620	LOCK NUT M18X 1.5
20	12	NO	80001619	FLANGED NUT M18X1.5Gr.10 TVS CATALOG CODE:M24540
21	2	NO	80000490	CAP FOR REAR HUB
22	8	NO	80000491	C.S.K. SCREW - M5 x12 DIN 7991
23	1	NO	80001048	PULLING DEVICE ASSEMBLY
32	2	NO	80000872	TYRE 8.25 X 16
39	8	NO	10001265	HEXAGON NUT DIN 934 M20 - 8- A3C
40	8	NO	10076358	M20 LOCK NUT DIN 2510 NF M20 8
42	2	NO	80000504	BUFFER PAD
43	4	NO	10001519	HEXAGON HEAD SCREW DIN 933 M12 X 35 - 8.8 - A2C
44	36	NO	10011164	SPRING WASHER DIN 127 B12 FST
45	40	NO	10001254	HEXAGON NUT DIN 934 M12 - 8 - A2C
46	6	NO	10006833	GREASE NIPPLE - 1/8" BSP
49	2	NO	80000506	TUBE (For Tyre 8.25 X 16)
51	1	NO	10052083	SUPPORT WINCH 750
52	4	NO	80002280	SUPPORT
53	8	NO	10001906	DISC DIN 125 - B21 ST - A3C
55	4	NO	10003990	SPRING PLUG DIN 11024 - 6.3 FST

Material **80002061****CHASSIS FRAME ASSEMBLY**

Item	Qty	Unit	ID No	Description
59	28	NO	10001528	HEXAGON HEAD SCREW DIN 933 M12 X 45 - 8.8 - A2C
60	44	NO	10012776	DISC DIN 125 -B13 ST - A2C
67	6	NO	80150674	GREASE NIPPLE CAP (1/8")
75	8	NO	10001552	HEXAGON HEAD SCREW DIN 933 M12 X 75 - 8.8 - A2C
76	3	NO	10001227	HEXAGON HEAD BOLT DIN 931M 6 X 35 - 8.8 - A2C
77	3	NO	10007116	DISC DIN 125 -B6.4 ST - A2C
78	3	NO	10124153	SPRING WASHER DIN 127 B6 FST

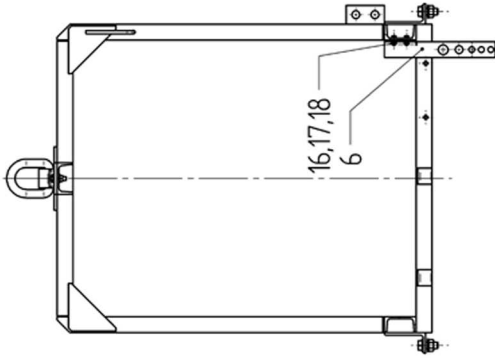


Material 80001048

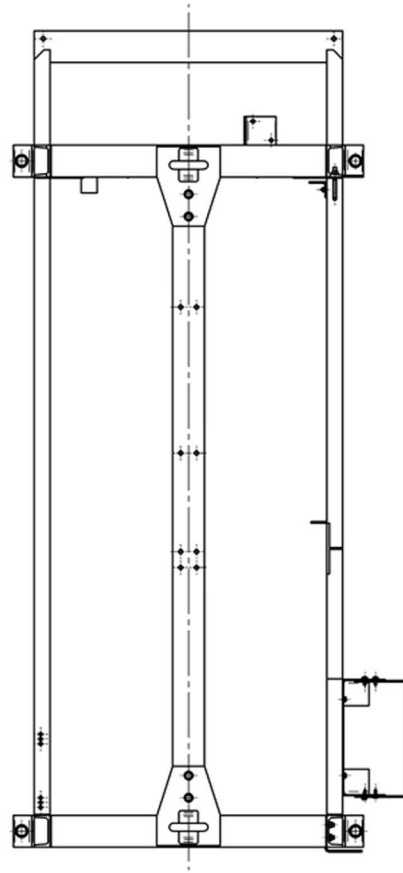
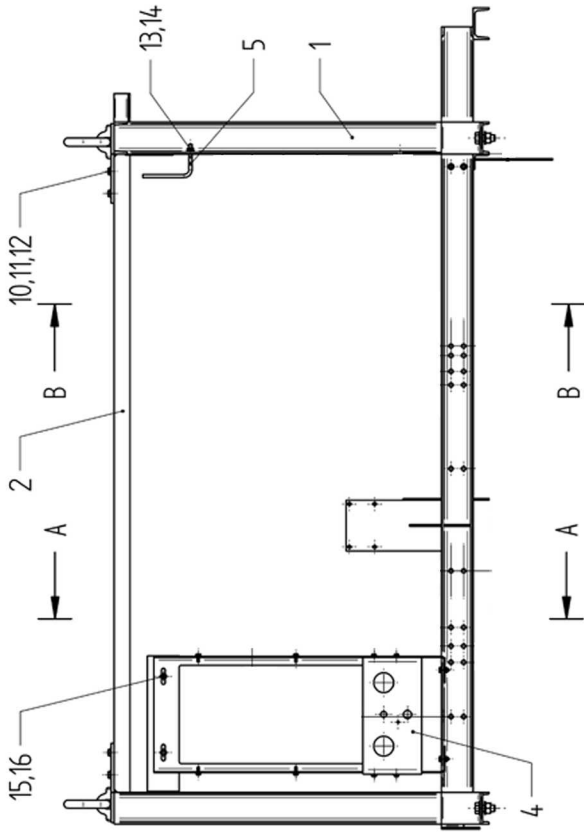
PULLING DEVICE ASSEMBLY

Item	Qty	Unit	ID No	Description
1	1	NO	80000492	PULLING DEVICE BRACKET
2	1	NO	80000497	EYE BOLT
3	1	NO	80000494	M 34 EYE BOLT NUT
4	1	NO	80000496	SPRING FOR EYE BOLT
5	1	NO	80000495	M 34 - EYE WASHER
6	1	NO	10000973	HEX . SCREW DIN 931 M 8 X 55 - 10.9
7	2	NO	10001248	HEXAGON NUT DIN 934 M 8 - 8 - A2C
8	2	NO	10031316	DISC DIN 125 -B 8.4 ST - A2C
9	6	NO	10001341	HEXAGON HEAD SCREW DIN 933 M16 X 45 - 8.8 - A2C
10	6	NO	10001260	HEXAGON NUT DIN 934 M16 - 8 - A2C
11	6	NO	10133552	SCREW RETAINER SKM 16 DT 320
12	6	NO	10029961	M16 LOCK NUT
13	1	NO	10129842	SCREW RETAINER SKM 8 DT 320

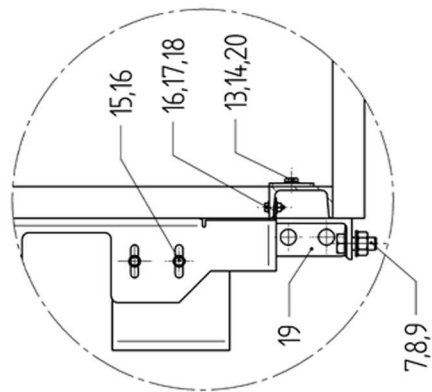
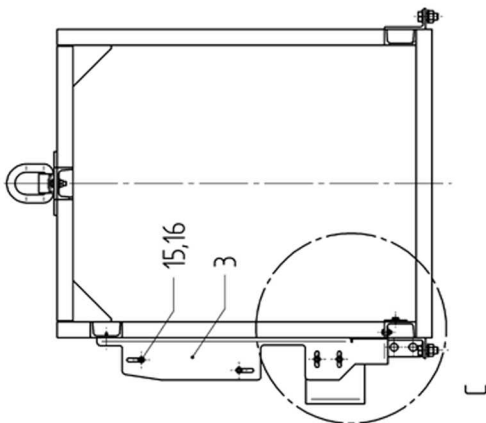
SECTION B-B



3D-ANSICHT
3D-VIEW



SECTION A-A



DETAIL C

Material 80002619

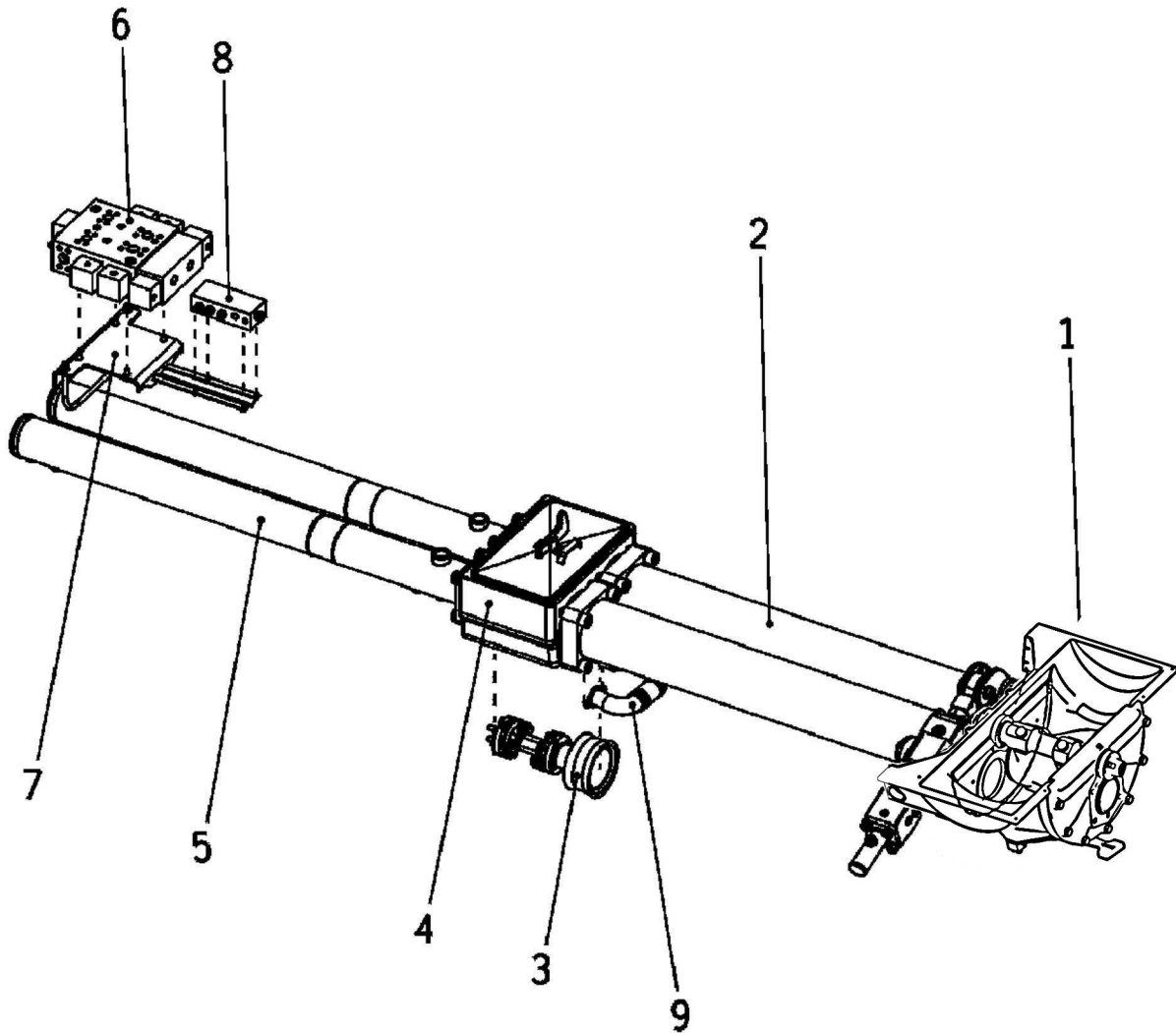
SUPPORTING FRAME CPL.

Item	Qty	Unit	ID No	Description
1	1	No.	10182501	SUPPORTING FRAME
2	1	No.	10177851	CROSS MEMBER
3	1	No.	10181555	SWITCH GEAR CABINET BRACKET
4	1	No.	80002190	PANEL BRACKET
5	1	No.	10181616	HOOK
6	1	No.	80002319	HOLDER
7	4	Nos.	10001409	HEX.HEAD SCREW DIN 933 M20 X 50 - 8.8 - A3C
8	8	Nos.	10145474	SCREW RETAINER SKM 20 DT 320
9	4	Nos.	10001265	HEX. NUT DIN 934 M20 - 8 - A3C
10	4	Nos.	10001336	HEX. HEAD SCREW DIN 933 M16 X 40 - 8.8 A2C
11	8	Nos.	10033552	SCREW RETAINER SKM 16 DT 320
12	4	Nos.	10001209	HEXAGON NUT DIN 934 M16 - 8 - A3C
13	3	Nos.	10001250	HEXAGON NUT DIN 934 M10 - 8 - A3C
14	5	Nos.	10129841	SCREW RETAINER SKM 10 DT 320
15	10	Nos.	10001515	HEX. HEAD SCREW DIN 933 M8 X 20 - 8.8 - A2C
16	18	Nos.	10129842	SCREW RETAINER SKM 8 DT 320
17	4	Nos.	10001808	HEX. HEAD SCREW DIN 933 M8 X 25 - 8.8 - A2C
18	4	Nos.	10001248	HEXAGON NUT DIN 934 M8 - 8 - A3C

Material 80002619

SUPPORTING FRAME CPL.

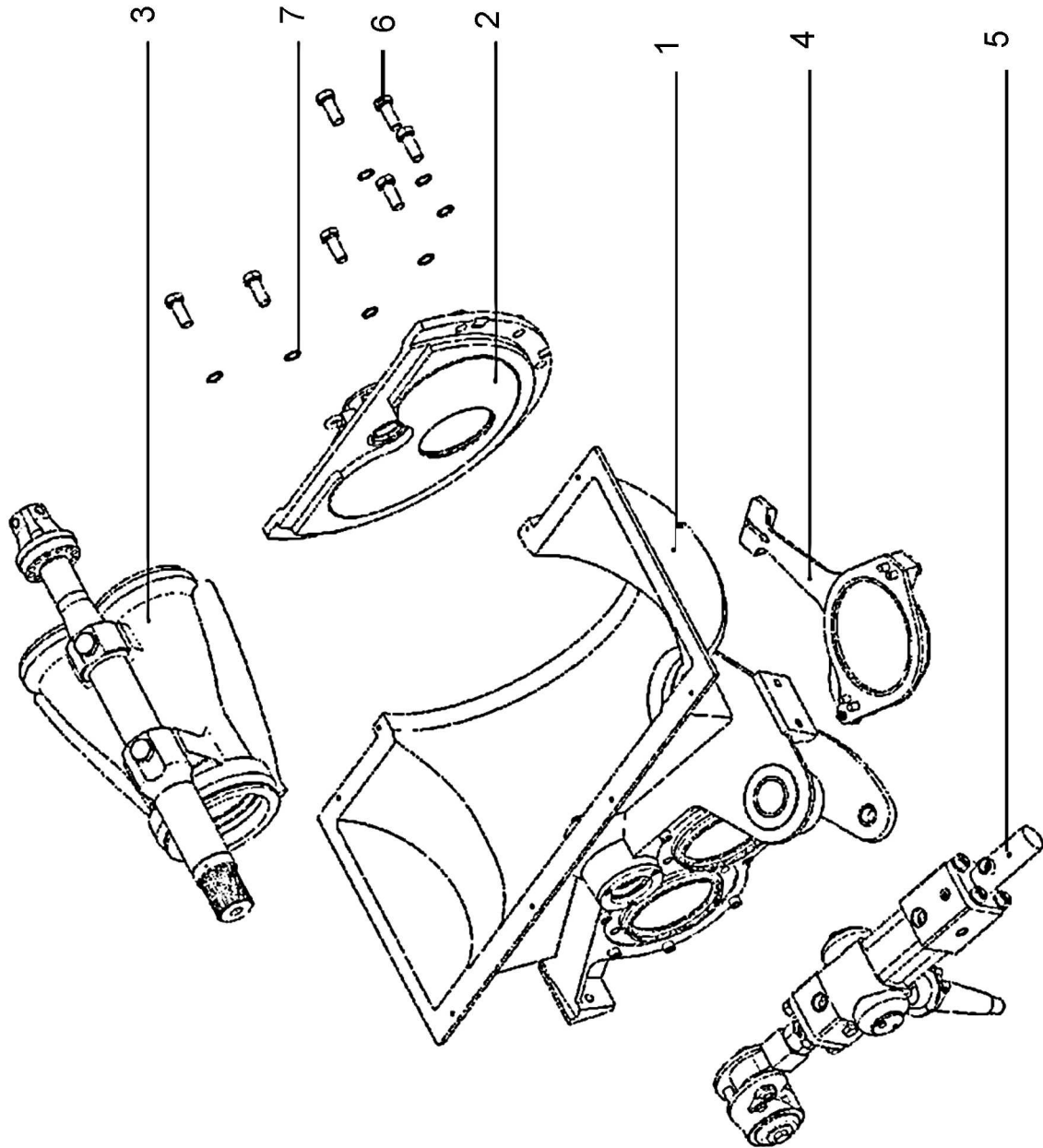
Item	Qty	Unit	ID No	Description
19	1	No.	10184967	HOLDER
20	2	Nos.	10001861	HEX. HEAD SCREW DIN 933 M10 X 30 - 8.8 - A2C



Material 10199710

PUMP KIT BR02 P 1620-120/80 RB

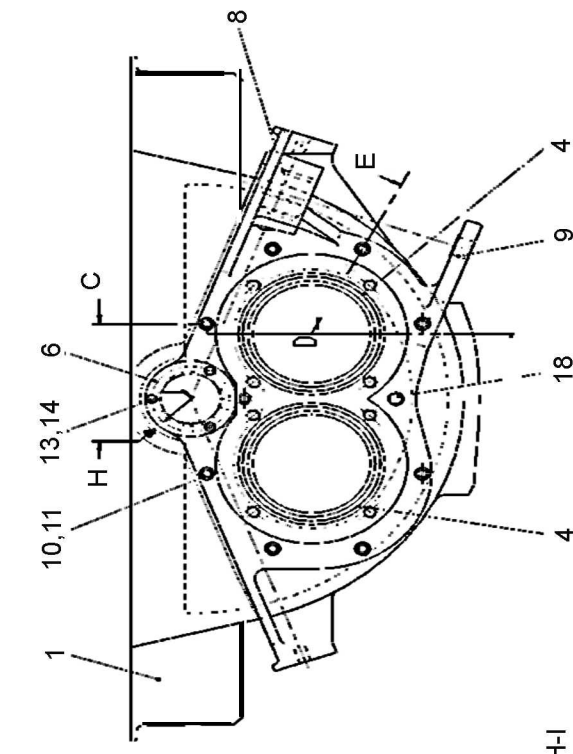
Item	Qty	Unit	ID No	Description
1	1	Nos	10193934	ROCK VALVE UNIT RB
2	2	Nos	10177331	PUMPING CYLINDER DN200 x 1600
3	2	Nos	10014314	PUMPING PISTON DN200/80 WITH FIXTURE
4	1	Nos	10172089	WATER BOX ASSEMBLY, Ma=260, CAST VERSION
5	2	Nos	10017486	DIFFERENTIAL CYLINDER D 120/ 80 x 1600
6	1	Nos	10177381	CONTROL Block S1-2-S3 MO30.1-SV300, CPL
7	1	Nos	10196745	CONTROL BLOCK HOLDER MA=260,S1-S2-S3
8	1	Nos	10180280	CONTROL BLOCK VBL-4/2-2
9	1	Nos	10174013	WATER BOX OUTLET MA 260



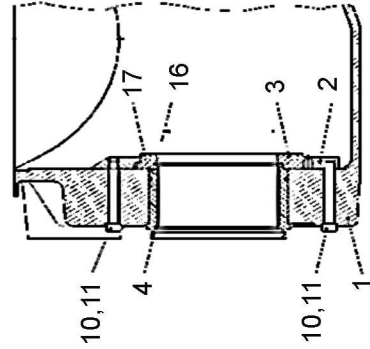
Material **10193934**

ROCK VALVE UNIT RB

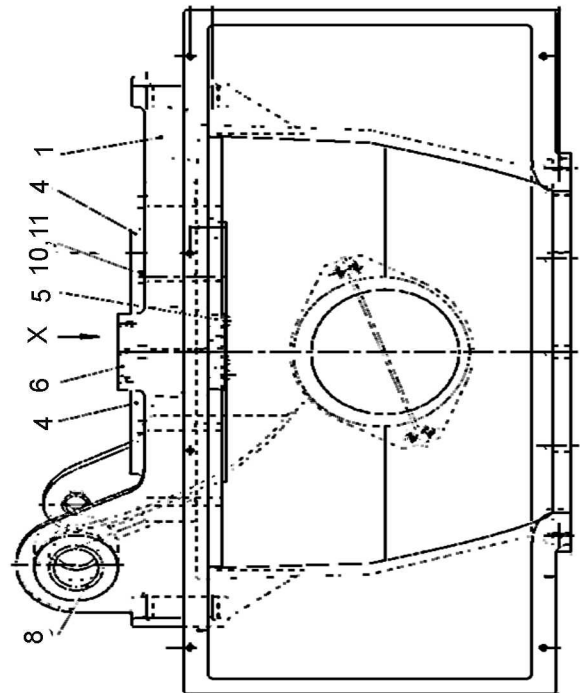
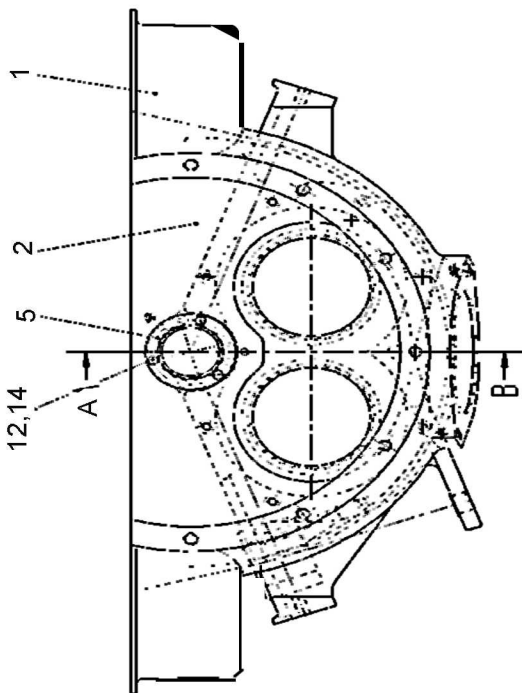
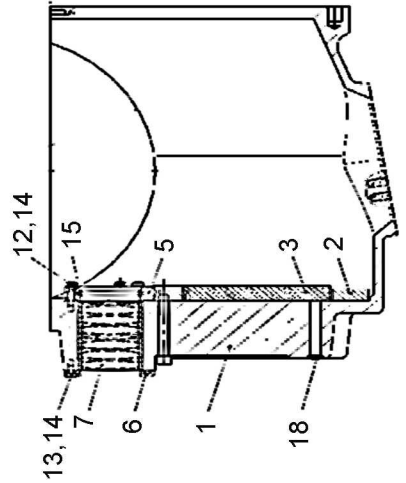
Item	Qty	Unit	ID No	Description
1	1	Nos	10180137	ROCK VALVE HOUSING RG
2	1	Nos	10018045	COVER OF HOUSING
3	1	Nos	10181911	ROCK VALVE DN220/180
4	1	Nos	10036433	COVER, DISCHARGE
5	1	Nos	10108111	SLEWING DRIVE
6	7	Nos	10003579	SCREW DIN 933 M 24 x 60-8.8-A3C
7	7	Nos	10015400	LOCK WASHER S24



Section H-I



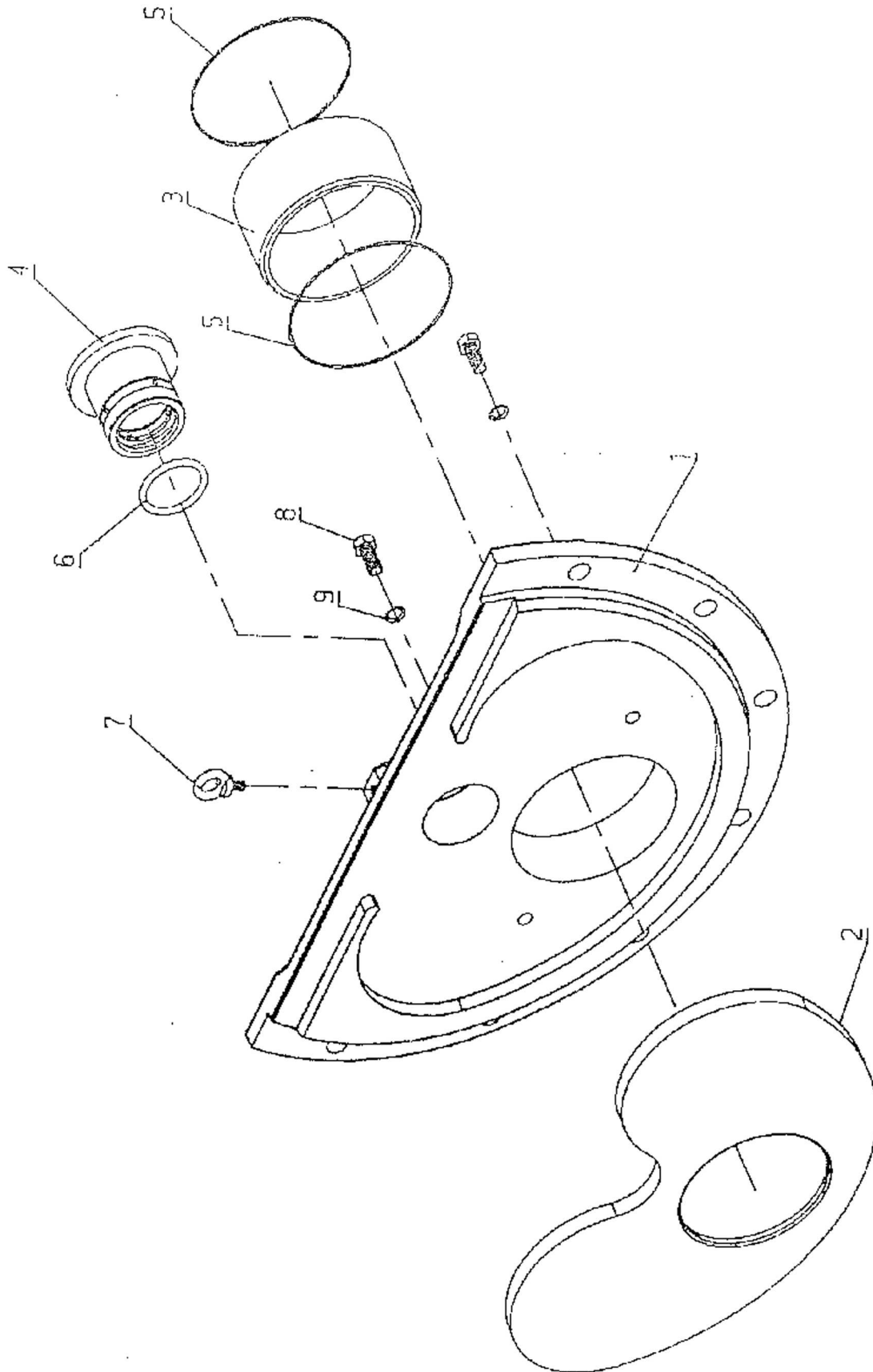
Section A-B



Material 10180137

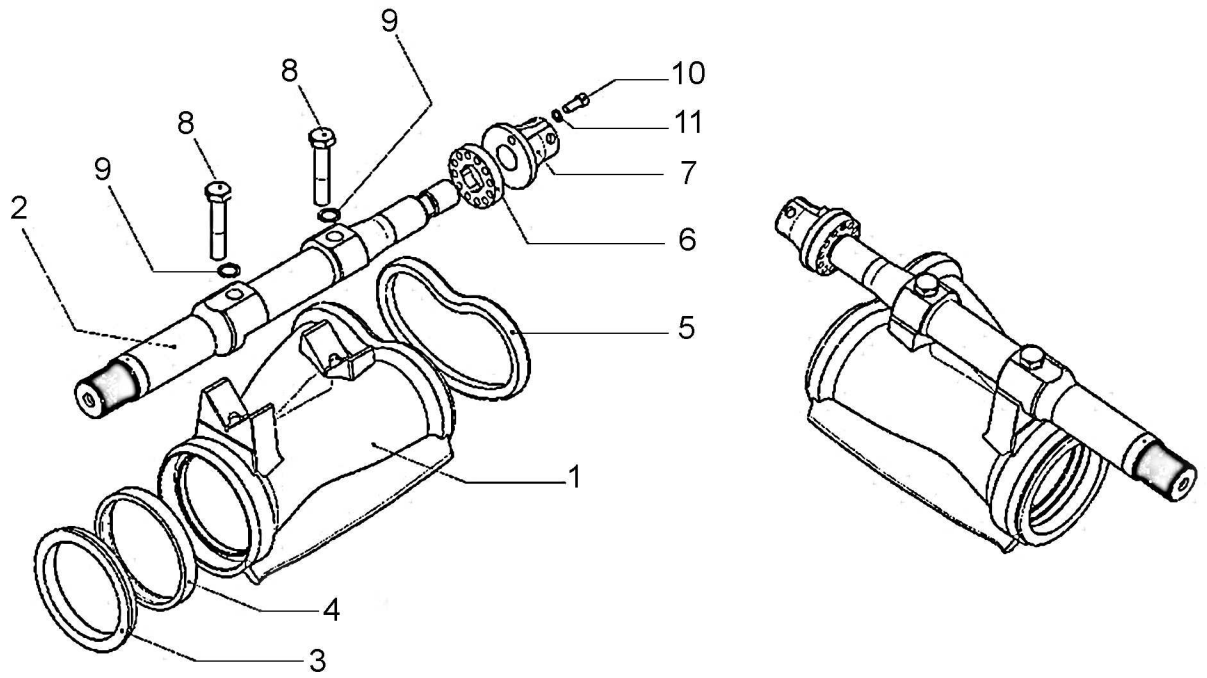
ROCK VALVE HOUSING RG

Item	Qty	Unit	ID No	Description
1	1	Nos	10180025	HOUSING DN 200/220/180 RB
2	1	Nos	10074769	BASE PLATE
3	1	Nos	10074767	WEARING INSERT DN200
4	2	Nos	10077886	TRANSITION PIECE WITH FLANGE
5	1	Nos	10018035	SEALING COVER
6	1	Nos	10029441	COVER
7	2	Nos	10018037	BEARING BUSHING D 95/108 x 70
8	1	Nos	10060528	BUSHING
9	1	Nos	10172030	FLANGE SLEEVE BB 35 26 DU
10	9	Nos	10017437	SCREW DIN 912 M 16 x125-8.8-A2C
11	9	Nos	10139855	SCREW RETAINER SKZ 16-DT320
12	3	Nos	10001865	SCREW DIN 933 M 10 x 40-8.8-A2C
13	3	Nos	10011969	Screw DIN 7984 M 10 x 16-8.8-A2C
14	6	Nos	10136867	SCREW RETAINER SKZ 10-DT320
15	1	Nos	10016241	O-RING 95 x 8
16	2	Nos	10014002	O-RING 207 x 3
17	2	Nos	10000616	O-RING 214 x 5
18	1	Nos	10120864	SILICONE-TRANSPARENT



Material **10018045****COVER OF HOUSING**

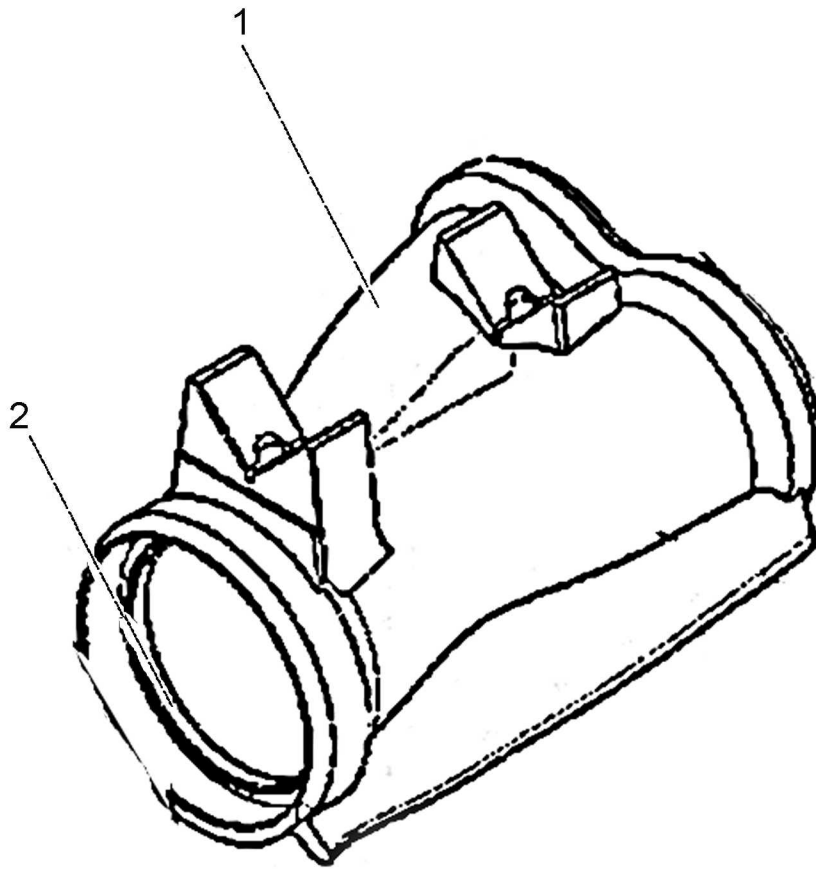
Item	Qty	Unit	ID No	Description
1	1	No.	10018027	COVER DN 230/210/180 AND DN 200/210/180
2	1	No.	10018046	PLATE LINING DN 180, OUTLET SIDE
3	1	No.	10018029	COVER LINING mat: S355J2H
4	1	No.	10018047	BUSHING FOR HOUSING COVER
5	2	Nos.	10016664	O - RING 195 X 3 mat: NBR 70
6	1	No.	10017436	O - RING 70 X 8 mat: NBR 70
7	1	No.	10014781	LIFTING EYE BOLT DIN 580 M 10 mat: C15E
8	2	Nos.	10001332	HEXAGON HEAD SCREW DIN 933 M 16 X 35 - 8.8 - A2C
9	2	Nos.	10006723	LOCK WASHER S 16 BURNISHED mat:FEDERSTAHL.



Material **10181911**

ROCK VALVE DN220/180

Item	Qty	Unit	ID No	Description
1	1	Nos	10181912	ROCK DN220/180 FINISH PART
2	1	Nos	10180090	SLEWING SHAFT
3	1	Nos	10181916	CUTTING RING DN220
4	1	Nos	10181917	PRESSURE SPRING DN220
5	1	Nos	10029138	SEAL DN180 - BUNCH
6	1	Nos	10017396	SETTING DISC
7	1	Nos	10032581	TENSION NUT M 56
8	2	Nos	10001295	SCREW DN 931 M 30 x150-8.8-A3C
9	2	Nos	10015401	LOCK WASHER S30
10	1	Nos	10001315	SCREW DIN 912 M 16 x 40-8.8-A2C
11	1	Nos	10139855	SCREW RETAINER SKZ 16-DT320



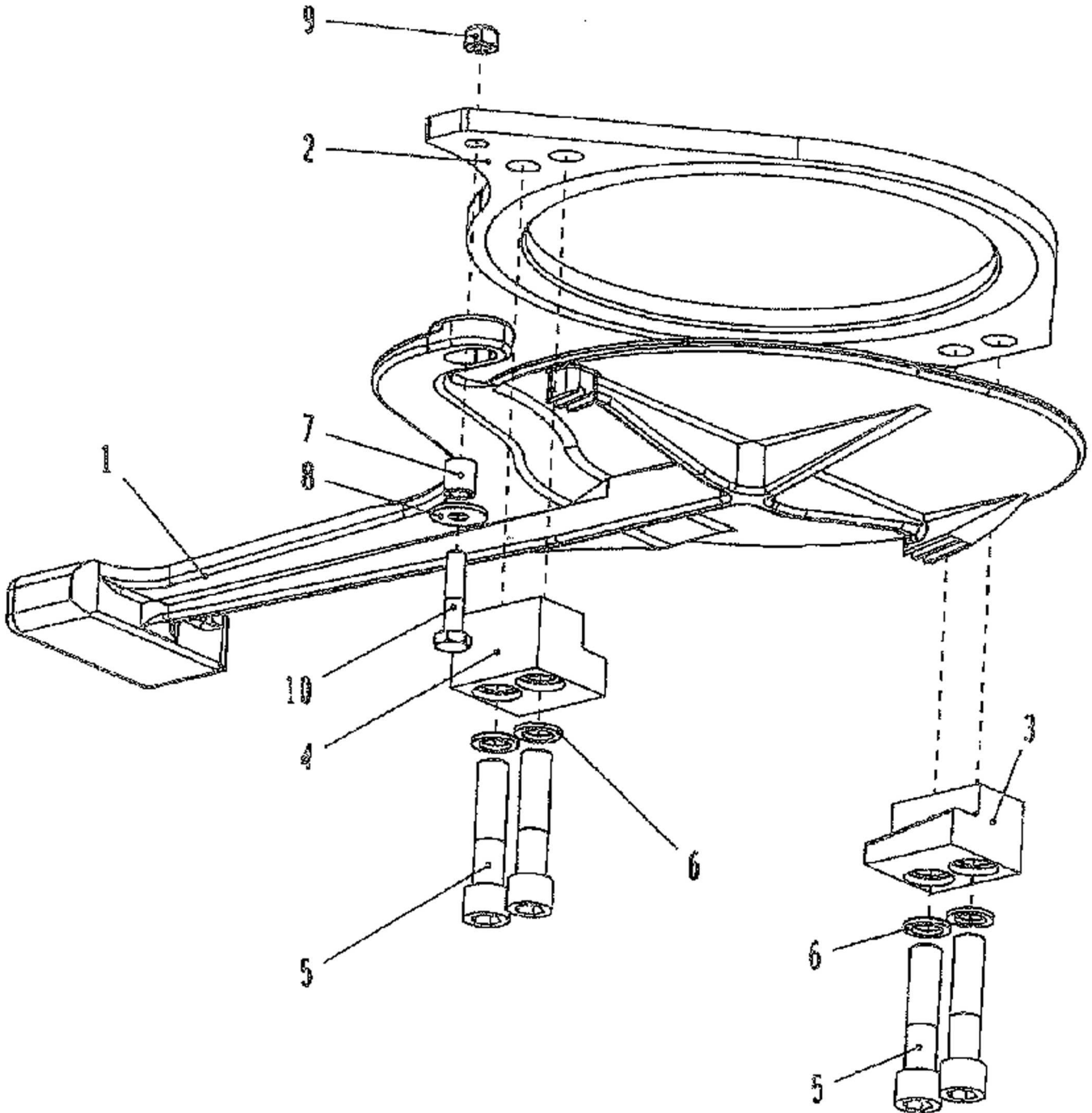
SCHWING STETTER INDIA

Spare Part List

Material **10181912**

ROCK DN 220/180

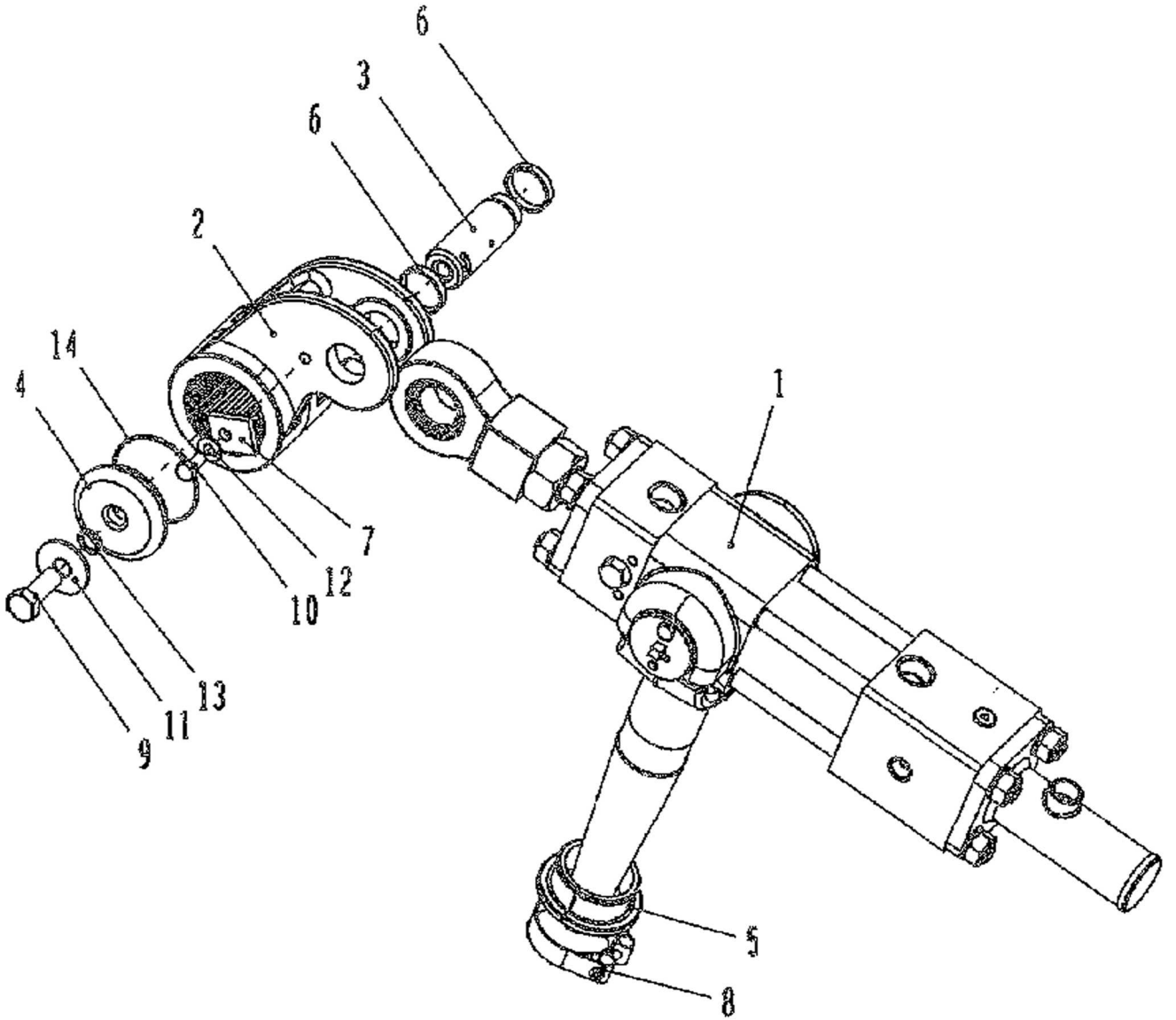
Item	Qty	Unit	ID No	Description
1	1	No	10181913	ROCK DN 220/180
2	1	No	10181915	BACK-UP RING DN 220



Material 10036433

COVER, DISCHARGE DN 250

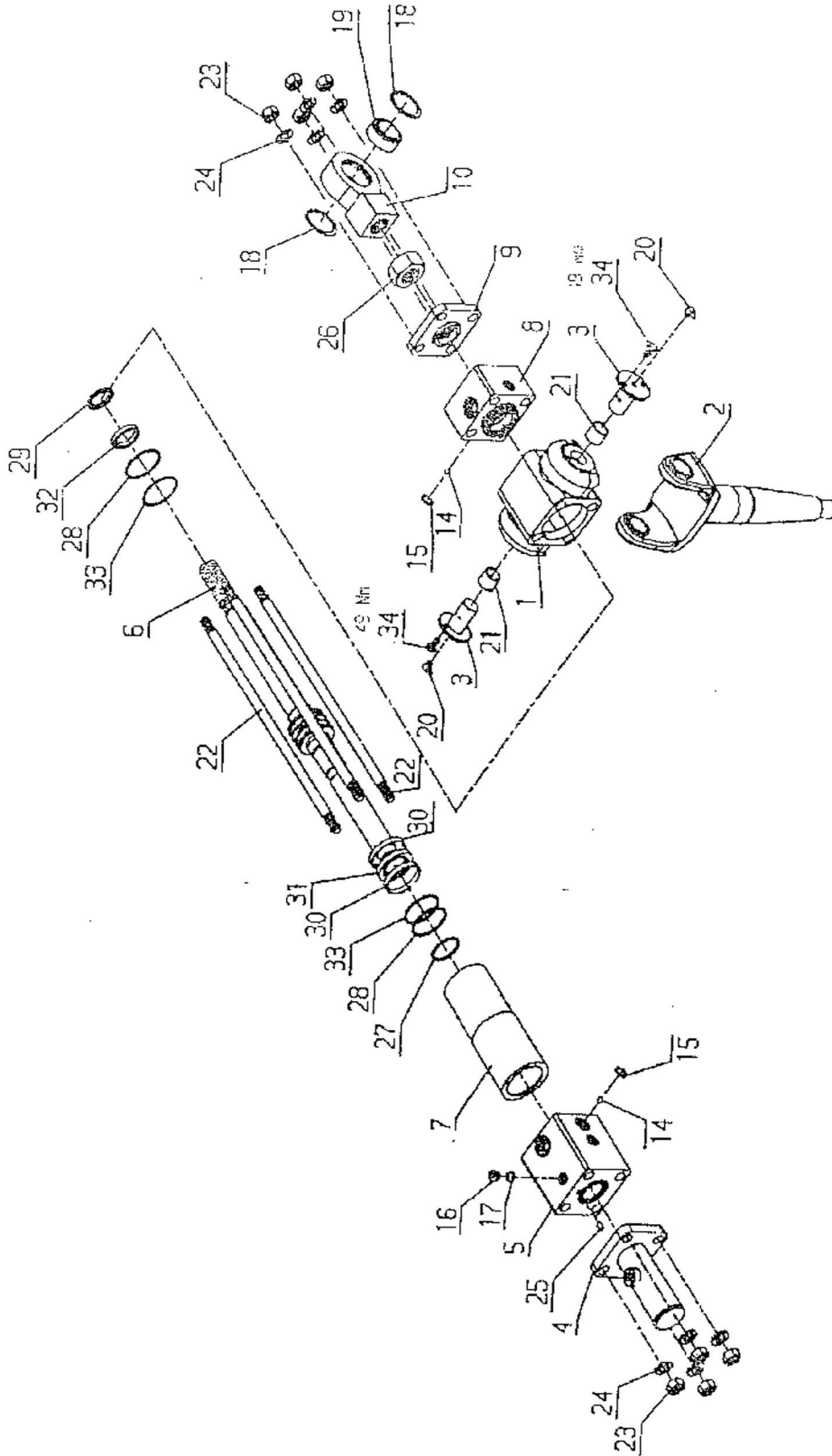
Item	Qty	Unit	ID No	Description
1	1	No.	10080782	LOCKING CAP DN 250
2	1	No.	10035783	SEAL RING (DN 250)
3	1	No.	10032789	CLAMP PIECE, LEFT mat: C45
4	1	No.	10032788	CLAMP PIECE, RIGHT mat: C45
5	4	Nos.	10001671	HEXAGON SOCKET HEAD CAP SCREW DIN 912 M 16 X 70 - 8.8 - A2C
6	4	Nos.	10006723	LOCK WASHER S 16 BURNISHED mat: FEDERSTAHL
7	1	No.	10020389	TUBE 16 X 2.5 X 17 DIN 2391-C mat: P235T2 + NBK
8	1	No.	10001381	DISC DIN 9021 10.5 - 140HV - A2C
9	1	No.	10001283	HEXAGON NUT DIN 985 M 10 - 8 - A2C
10	1	No.	10001307	HEXAGON HEAD BOLT DIN 931 M 10 X 45 - 8.8 - A2C



Material 10108111

SLEWING DRIVE WITH ZL

Item	Qty	Unit	ID No	Description
1	1	No.	10094569	SLEWING CYLINDER D 80/45 X 185
2	1	No.	10018071	SLEWING LEVER DN 210/180 mat: GS 42CrMo4
3	1	No.	10018069	BOLT 45 X 124 mat: 42CrMo4
4	1	No.	10018073	COVER mat:C45
5	1	No.	10118219	BUSHING mat: S355J2G3
6	2	Nos.	10018070	RING A 9 X 45.5/51 mat:S355T1
7	1	No.	10018072	SHACKLE D 8 X 40/ 50-13 mat:S355J2G3
8	1	No.	10109026	CLAMP D 85
9	1	No.	10001413	HEXAGON HEAD SCREW DIN 933 M 20 X 55 - 8.8 A3C
10	1	No.	10001513	HEXAGON HEAD SCREW DIN 933 M 12 X 25 - 8.8 A2C
11	1	No.	10016320	DISC DIN 9021 21 - 100HV - A3C
12	1	No.	10129840	SCREW RETAINER SKM 12 DT 320
13	1	No.	10000377	O - RING 19.2 X 3 mat: NBR 70
14	2	Nos.	10001052	O - RING 94 X 3 mat: NBR 70



Material 10094569

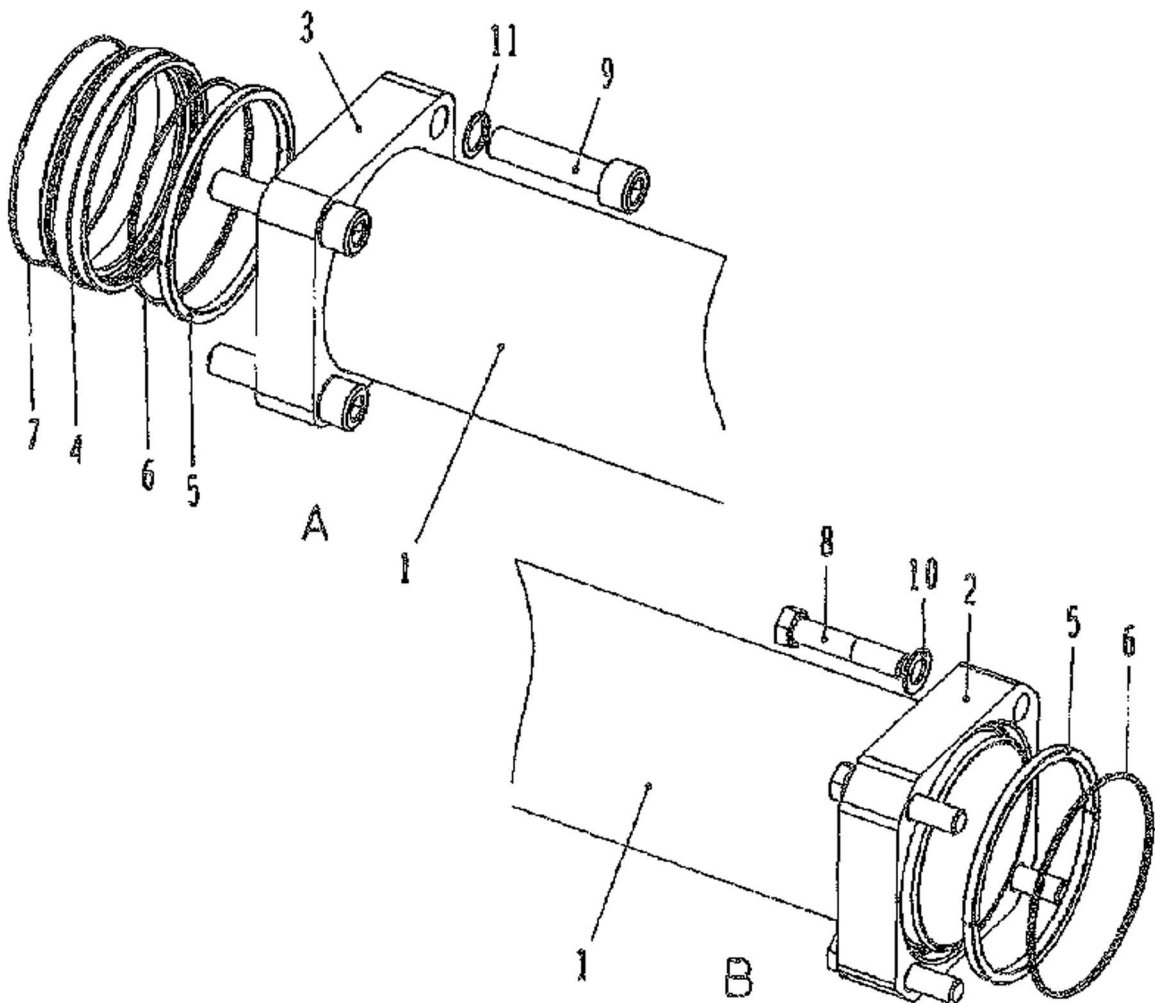
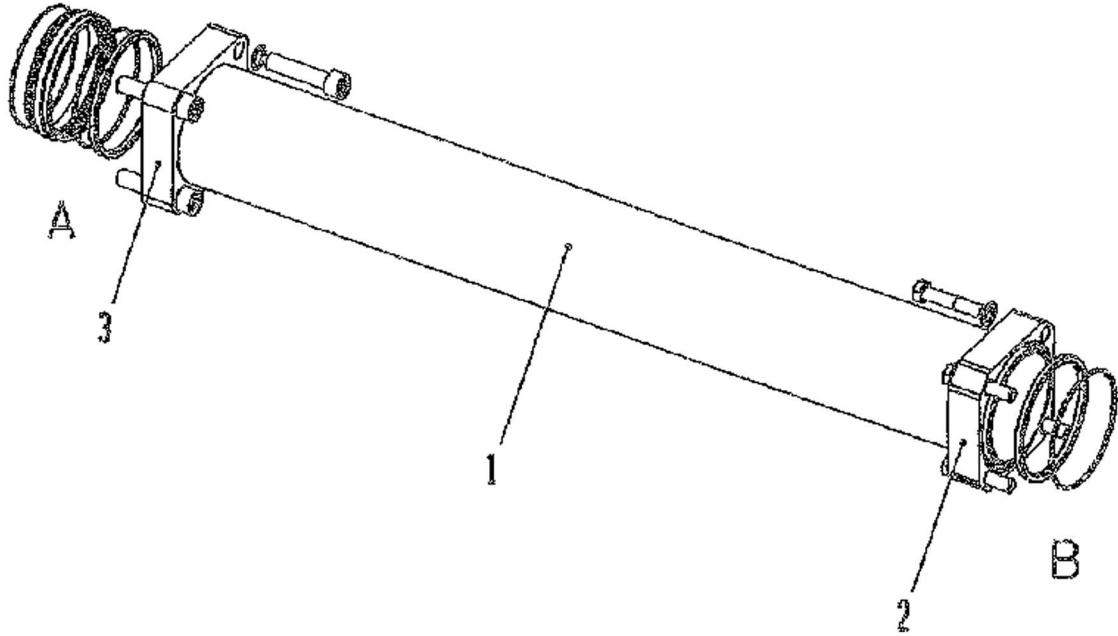
SLEWING CYLINDER D 80/45 X 185

Item	Qty	Unit	ID No	Description
1	1	No.	10058466	CYLINDER SUPPORT mat: GS-42CrMo4
2	1	No.	10118218	SLEWING PIVOT mat: 42CrMo4V
3	2	Nos.	10058467	BOLT mat: S355J2G3
4	1	No.	10017554	PROTECTING TUBE
5	1	No.	10017555	CYLINDER HEAD
6	1	No.	10017556	PISTON ROD mat:50 CrV4V/42CrMo4V
7	1	No.	10017557	CYLINDER
8	1	No.	10094649	CYLINDER HEAD
9	1	No.	10017559	TENSION RING
10	1	No.	10017560	ROD EYE
11	2	Nos.	10013054	PRESSURE SPRING 1.0 X 6.0 X 33
12	2	Nos.	10017561	SPRING BOLT EV 105-0199 mat: 115CrV3
13	2	Nos.	10158538	VALVE PLUG M 20 X 1.5 WD mat: 9SMn28K
14	2	Nos.	10006002	BALL DIN 5401-10
15	2	Nos.	10157392	SEALING RING DIN 3869 - 20 NBR mat:NBR
16	1	No.	10068021	SCREW PLUG VS-R 3/8" WD
18	2	Nos.	10016233	RETAINING RING DIN 472 68 X 2.5
19	1	No.	10019455	ARTICULATED BEARING SKF
20	2	Nos.	10007884	LUBRICATING NIPPLE, CONE TYPE DIN 71412 CM10 X 1-5.8
21	2	Nos.	10006726	BUSHING MB 35 30
22	4	Nos.	10016797	THREADED ROD D 20 X 570/40-40 DT 500 mat:10.9

Material 10094569

SLEWING CYLINDER D 80/45 X 185

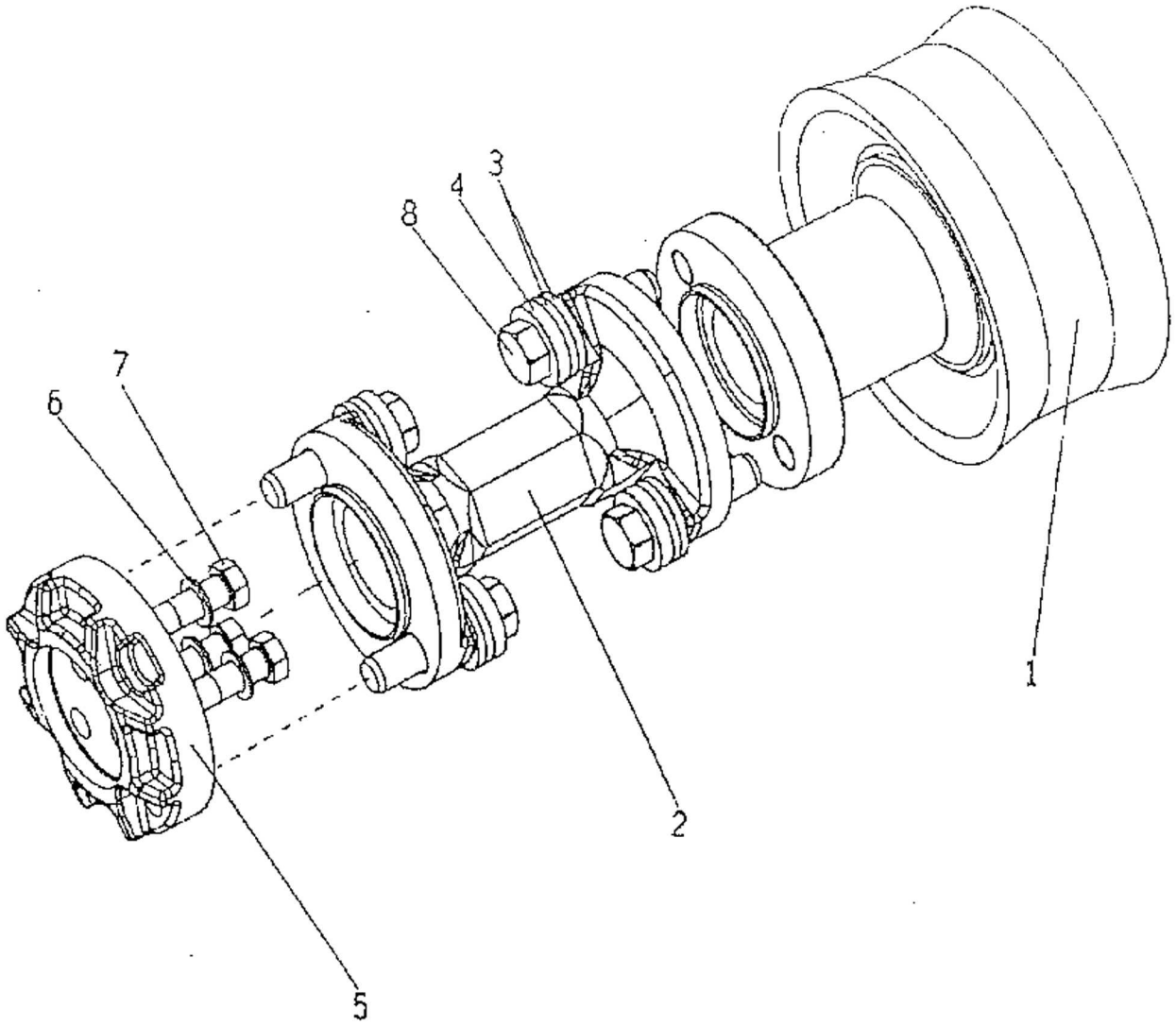
Item	Qty	Unit	ID No	Description
23	8	Nos.	10001232	HEXAGON NUT DIN 6915 M 20 - 10 - DT 500
24	8	Nos.	10001509	DISC DIN 6916 21 - C45 DT 500
26	1	No.	10017021	HEXAGON NUT DIN 934 M 42 X 3 - 8 - A3C
27	1	No.	10000749	O - RING 56 X 4 mat: NBR 70
28	2	Nos.	10000933	O - RING 72 X 4 mat:NBR 70
29	1	No.	10006804	SCRAPER 45 X 55 X 7 mat: NBR
30	2	Nos.	10016234	GUIDE BAND
31	1	No.	10016235	PISTON SEALING SET 80 X 60 X 10 mat:PTFE NBR
32	1	No.	10016236	ROD SEALING 45 X 60 X 11.4
33	2	Nos.	10016238	BACK UP RING mat:PTFE
34	2	Nos.	10001855	HEXAGON HEAD SCREW DIN 933 M 10 X 20 - 8.8 A2C



Material 10177331

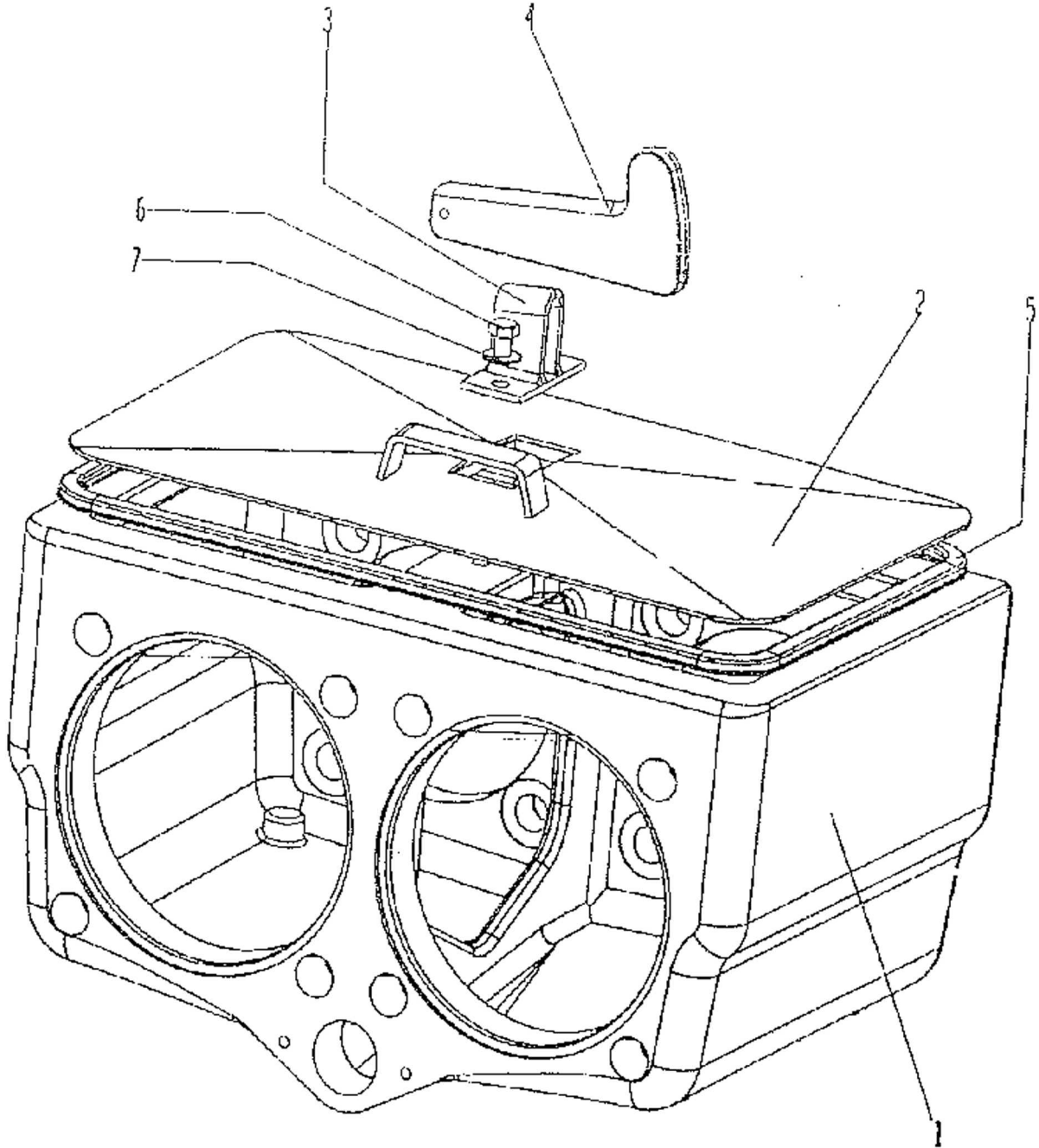
PUMPING CYLINDER DN 200 X 1600

Item	Qty	Unit	ID No	Description
1	1	No.	10006084	PUMPING CYLINDER PIPE DN 200 X 1600 mat:C 60BK+S
2	1	No.	10077963	PUMPKIT MATERIAL CYL FLANGE DN 200 mat:S355J2G3
3	1	No.	10177332	FLANGE DN 200 mat: S355J2G3
4	1	No.	10002327	LEADING IN RING DN 200 mat:St 52.0
5	2	Nos.	10003731	HALF RING DN 200 232/210 X 12 mat:St52
6	2	Nos.	10000616	O - RING 214 X 5 mat: NBR 80
7	1	No.	10000630	O - RING 220 X 3 mat: NBR 70
8	4	Nos.	10001900	HEXAGON HEAD BOLT DIN 931 M 24 X 120 - 8.8 - A3C
9	4	Nos.	10178847	HEXAGON SOCKET HEAD CAP SCREW DIN 912 M 30 X 130 - 8.8 - A3C
10	4	Nos.	10001504	DISC DIN 6916 25-C45 DT 500
11	4	Nos.	10015401	LOCK WASHER S30 BURNISHED mat: FEDERSTAHL



Material 10014314**RAM DN 200/800 WITH FIXTURE**

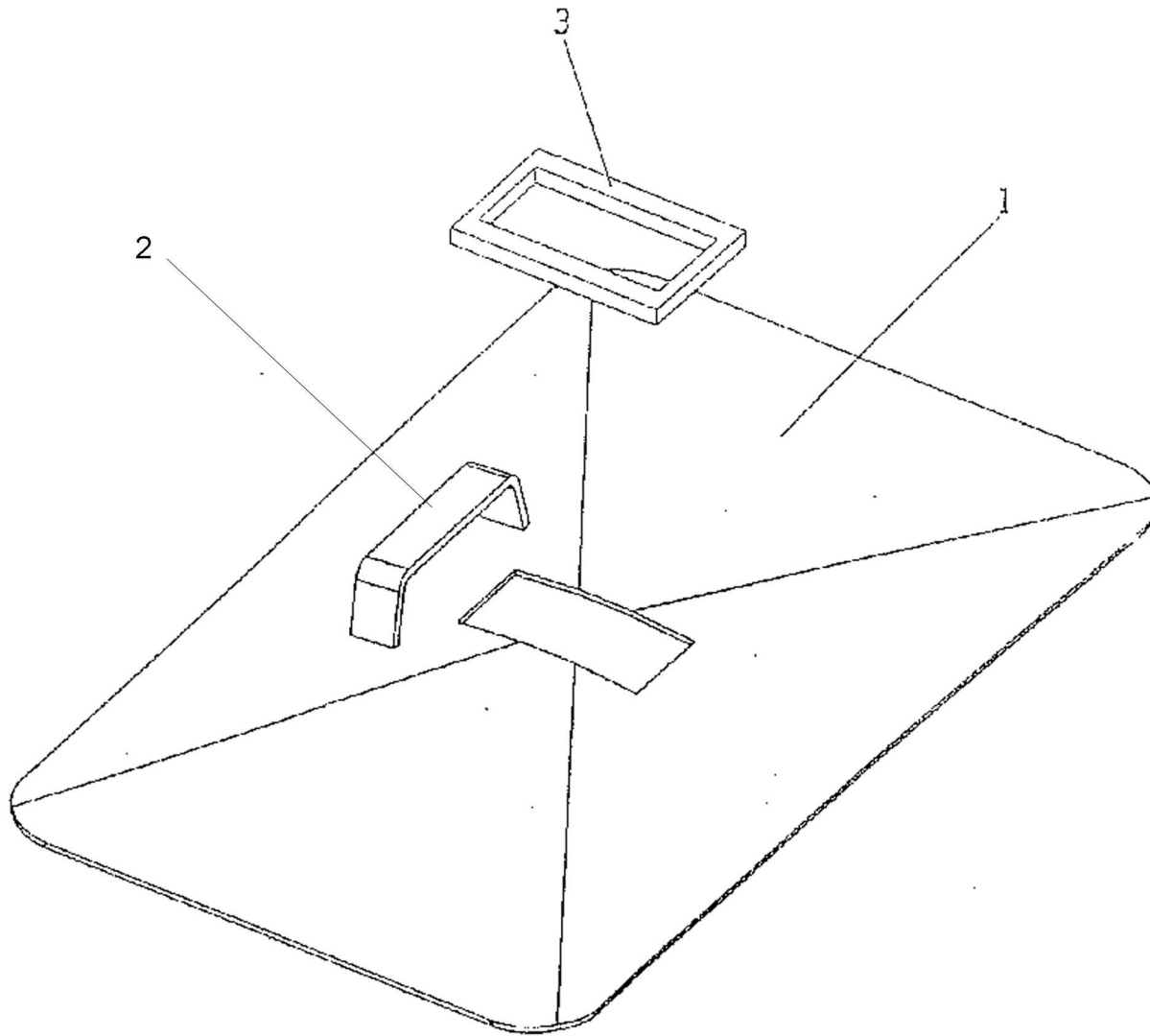
Item	Qty	Unit	ID No	Description
1	1	No.	10161754	RAM - MATERIAL, DN 200 mat:GGG-40/WS857
2	1	No.	10209273	CONNECTION mat: 42CrMo4
3	4	Nos.	10187342	BUSHING H 20 X 20.5/34 mat: 42CrMo4 + QT
5	1	No.	10011849	FLANGE COUPLING (FOR PISTON ROD D 80)
6	3	Nos.	10002052	DISC DIN 433 17 - St - A3C
7	3	Nos.	10006333	HEXAGON HEAD BOLT DIN 931 M 16 X 70 - 10.9 DT 500
8	4	Nos.	10001834	HEXAGON HEAD BOLT DIN 931 M 20 X 75 - 10.9 DT 500



Material 10172089

WATER BOX SUMMARY MA=260MM

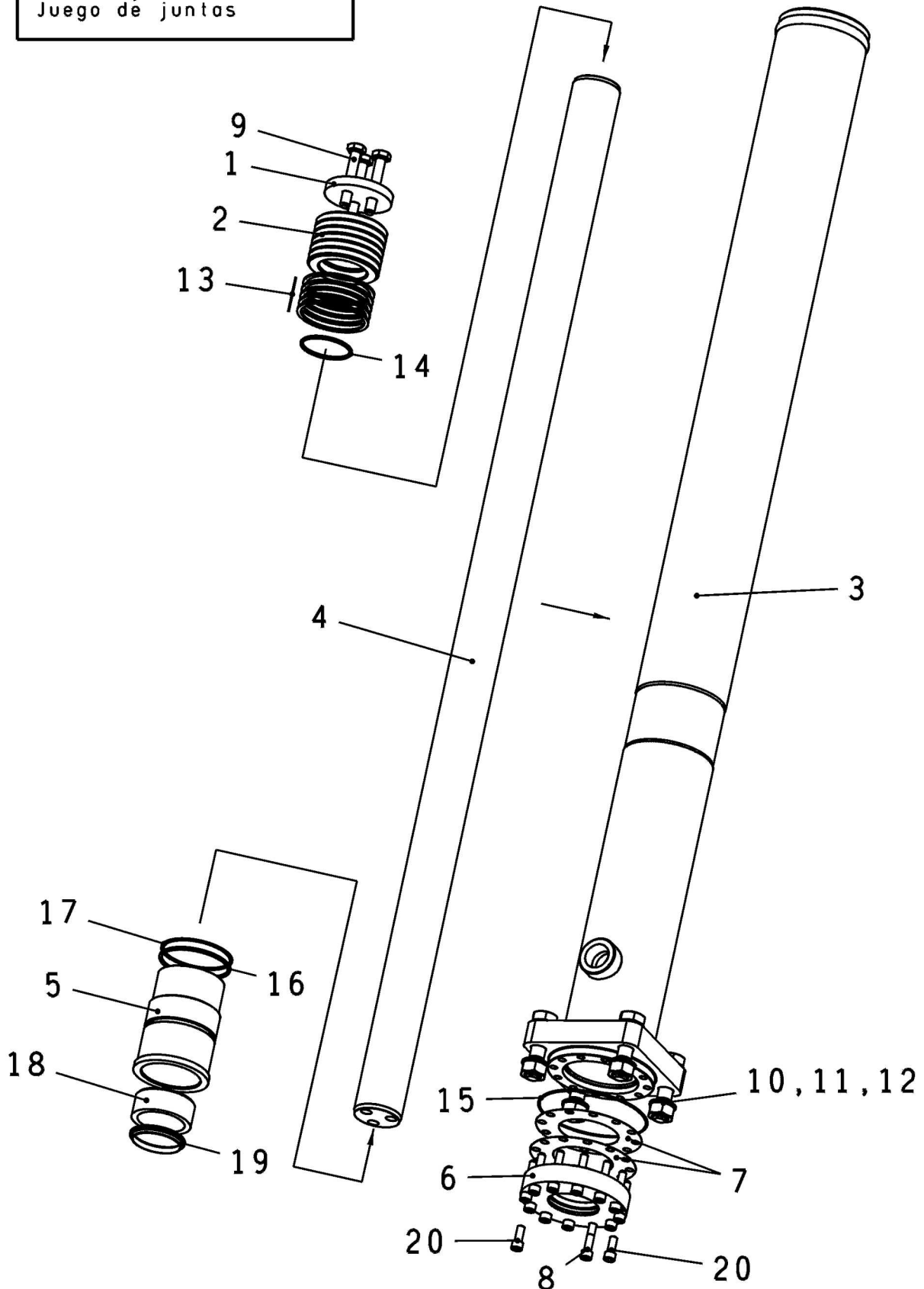
Item	Qty	Unit	ID No	Description
1	1	No.	10171866	WATER BOX MA 260MM
2	1	No.	10172069	COVER FOR WATER BOX
3	1	No.	10172071	LOCKING STIRRUP CPL.
4	1	No.	10004709	WEDGE mat: C60
5	1.75	M	10021235	SEALING LEDGE
6	2	Nos.	10001508	HEXAGON HEAD SCREW DIN 933 M 12 X 20 - 8.8 - A2C
7	2	Nos.	10129840	SCREW RETAINER SKM 12 DT 320



Material 10172069**COVER FOR WATER BOX**

Item	Qty	Unit	ID No	Description
1	1	No.	10172070	COVER PLATE mat:S235JRG2
2	1	No.	10000888	HANDLE mat:S235JR
3	1	No.	10177265	SEAL

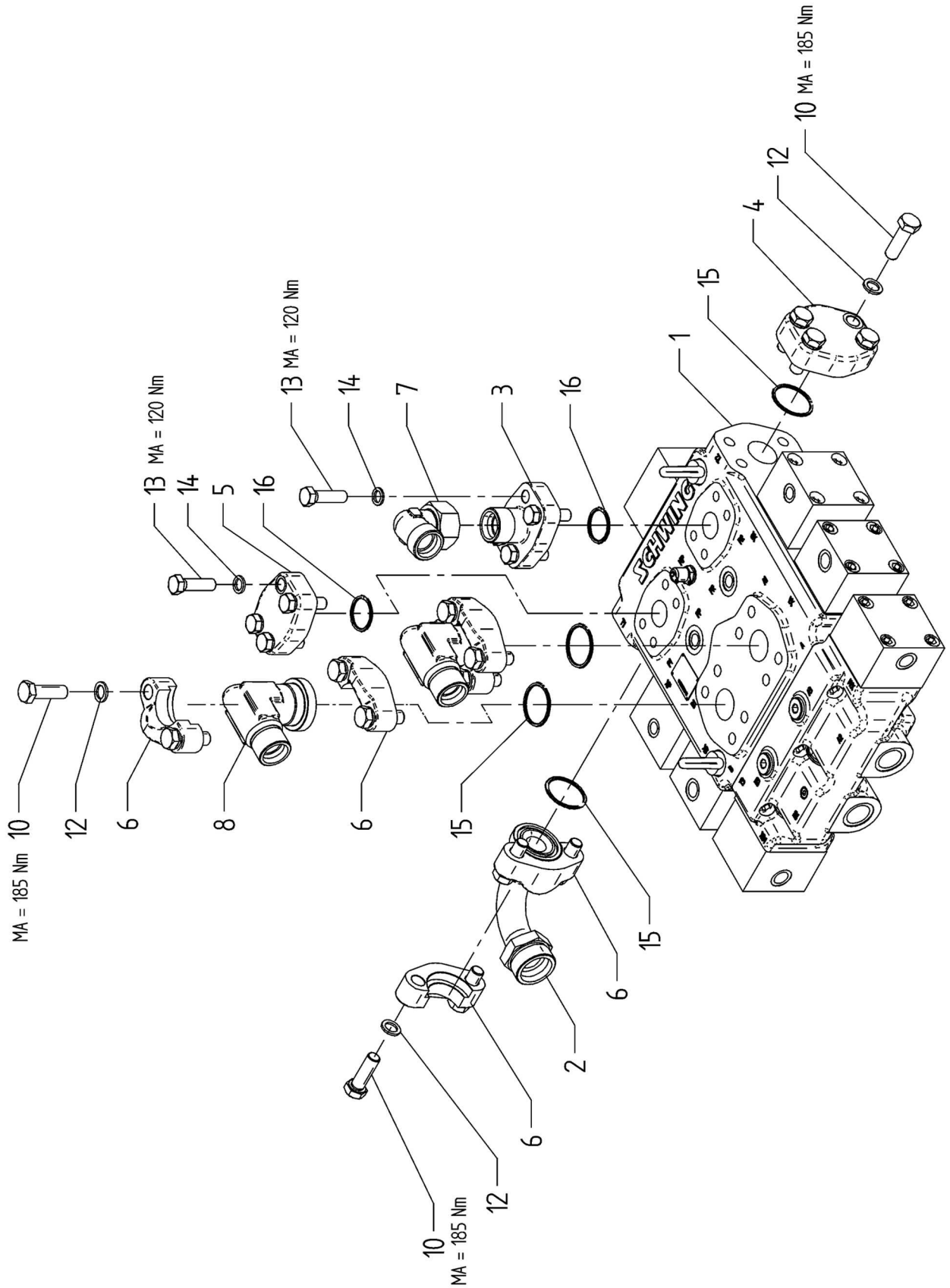
Dichtsatz Kpl. 10176525
Sealing set
Jeu de joints
Juego de juntas



Material 10017486

DIFFERENTIAL CYLINDER D 120/80 X 1600

Item	Qty	Unit	ID No	Description
1	1	No.	10017528	DISC mat: 30CrMoV9V
2	1	No.	10017529	HYDRAULIC PISTON A 120 X 80/ 80 - 40
3	1	No.	10017509	CYLINDER BLOCK 120/80 X 1600
4	1	No.	10013157	PISTON ROD F 80 X 1892 / 16 - 50 mat: 42CrMo4V
5	1	No.	10102071	GUIDE BUSH D 120/80
6	1	No.	10017497	TENSION RING D 120/80
7	2	Nos.	10017517	SPACING DISC
8	12	Nos.	10001200	HEXAGON SOCKET HEAD CAP SCREW DIN 912 M 12 X 60 - 12.9 - DT 500
9	3	Nos.	10001470	HEXAGON BOLT DIN 6914 M 16 X 100 - 10.9 - DT500
10	4	Nos.	10001238	HEXAGON NUT DIN 6915 M 24 - 10 - DT 500
11	4	Nos.	10013565	HEXAGON BOLT DIN 6914 M 24 X 100 - 10.9 - DT500
12	8	Nos.	10001504	DISC DIN 6916 25 - C45 - DT 500
13	5	Nos.	10007052	PISTON RING SG 120/110 X 3
14	1	No.	10000968	O - RING 78 X 4 mat: NBR 70
15	1	No.	10000511	O - RING 174 X 3 mat: NBR 70
16	1	No.	10001077	O - RING 110 X 5 mat: NBR 70
17	1	No.	10017527	BACK UP RING (PTFE) 120 X 112 X 2
18	1	No.	10003421	SEALING GLAND SET 80/100 X 40
19	1	No.	10002329	SCRAPER 80 X 92 X 12 mat: 97 NBR G520
20	2	Nos.	10001186	HEXAGON SOCKET HEAD CAP SCREW DIN 912 M 12 X 30 - 8.8 - A2C



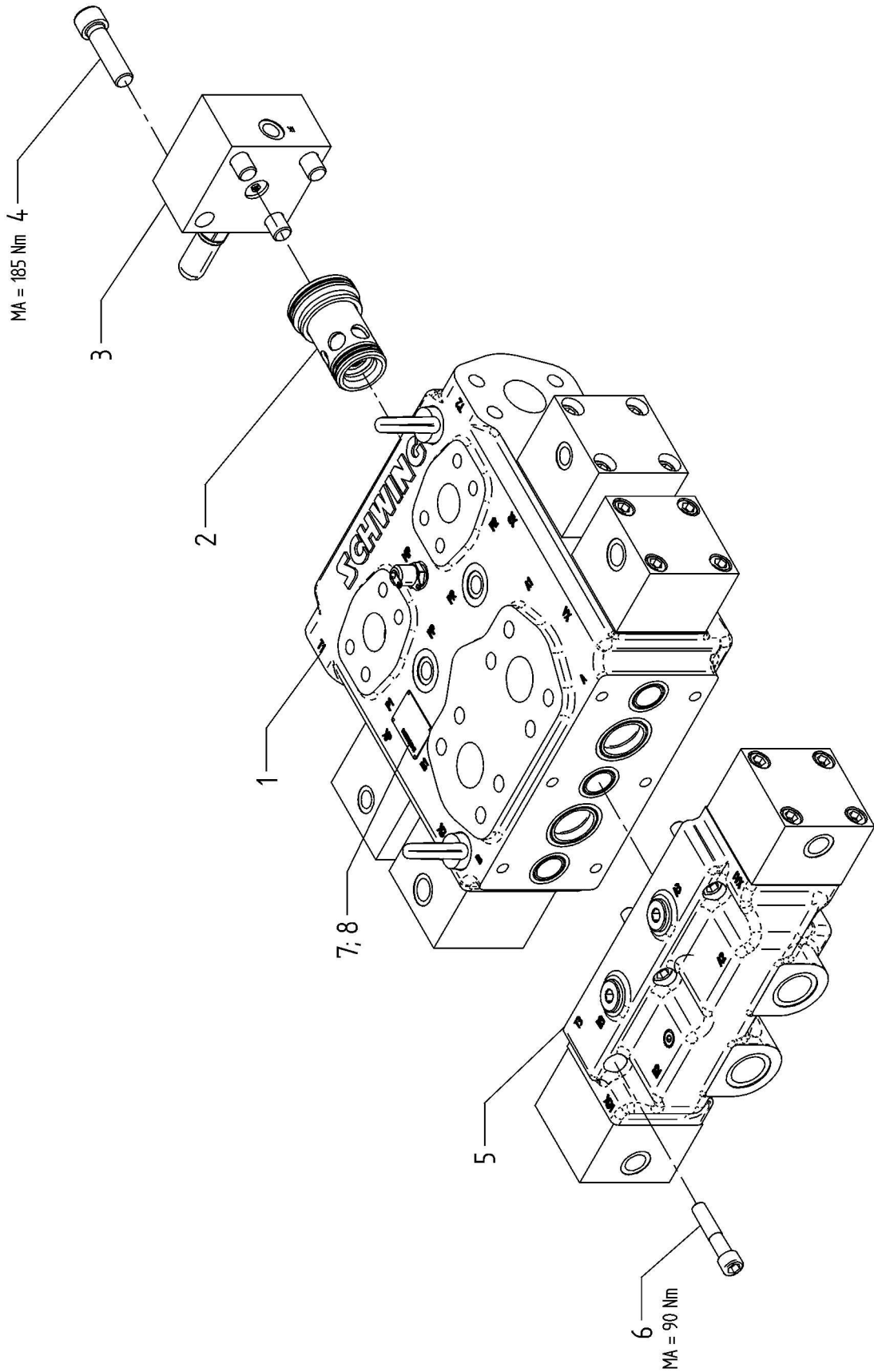
Material 10177381

CONTROL BLOCK S1-2-S3 CPL. WITH FLANGES, 265 L/MIN

Item	Qty	Unit	ID No	Description
1	1	No.	10183124	CONTROL BLOCK NG30, S1-2-S3 CPL S1-2-S3 MO30.1-SV-300
2	1	No.	10166205	SAE FLANGE ADAPTER 420 BARS
3	1	No.	10179627	THREADED SAE FLANGE 6000 PSI BG 1 1/4" AS M42 X 2
4	1	No.	10103792	SAE LOCKING FLANGE 6000 PSI BG 1 1/2" mat: St 42.3
5	1	No.	10179027	SAE LOCKING FLANGE 6000 PSI BG 1 1/4" mat: St 42.3
6	6	Nos.	10166001	SAE FLANGE 420 BAR 1 1/2" mat: St 52.3
7	1	No.	10065682	FITTING EWSD - 30 -S
8	2	Nos.	10179028	SAE FLANGE ADAPTER 420 BAR C 6005-90/30 S
10	16	Nos.	10001347	HEXAGON HEAD SCREW DIN 933 M 16 X 50 - 8.8 - A2C
12	16	Nos.	10139855	SCREW RETAINER SKZ 16 DT 320 mat: FST 420-510 HV 10
13	8	Nos.	10010682	HEXAGON HEAD SCREW DIN 933 M 14 X 50 - 8.8 - A2C
14	8	Nos.	10147062	SCREW RETAINER SKZ 14 DT 320
15	4	Nos.	10015089	O - RING 47.22 X 3.53 mat: NBR 90
16	2	Nos.	10166320	O - RING 37.69 X 3.53 mat: NBR 90
17	1	No.	10143151	THREADED CAP M 52 X 2 GK28, YELLOW mat: PE-HD
18	3	Nos.	10143150	THREADED CAP M 42 X 2 GK28, YELLOW mat: PE-HD
19	6	Nos.	10132766	THREADED PLUG G 3/8 X 19 YELLOW mat: PE-HD

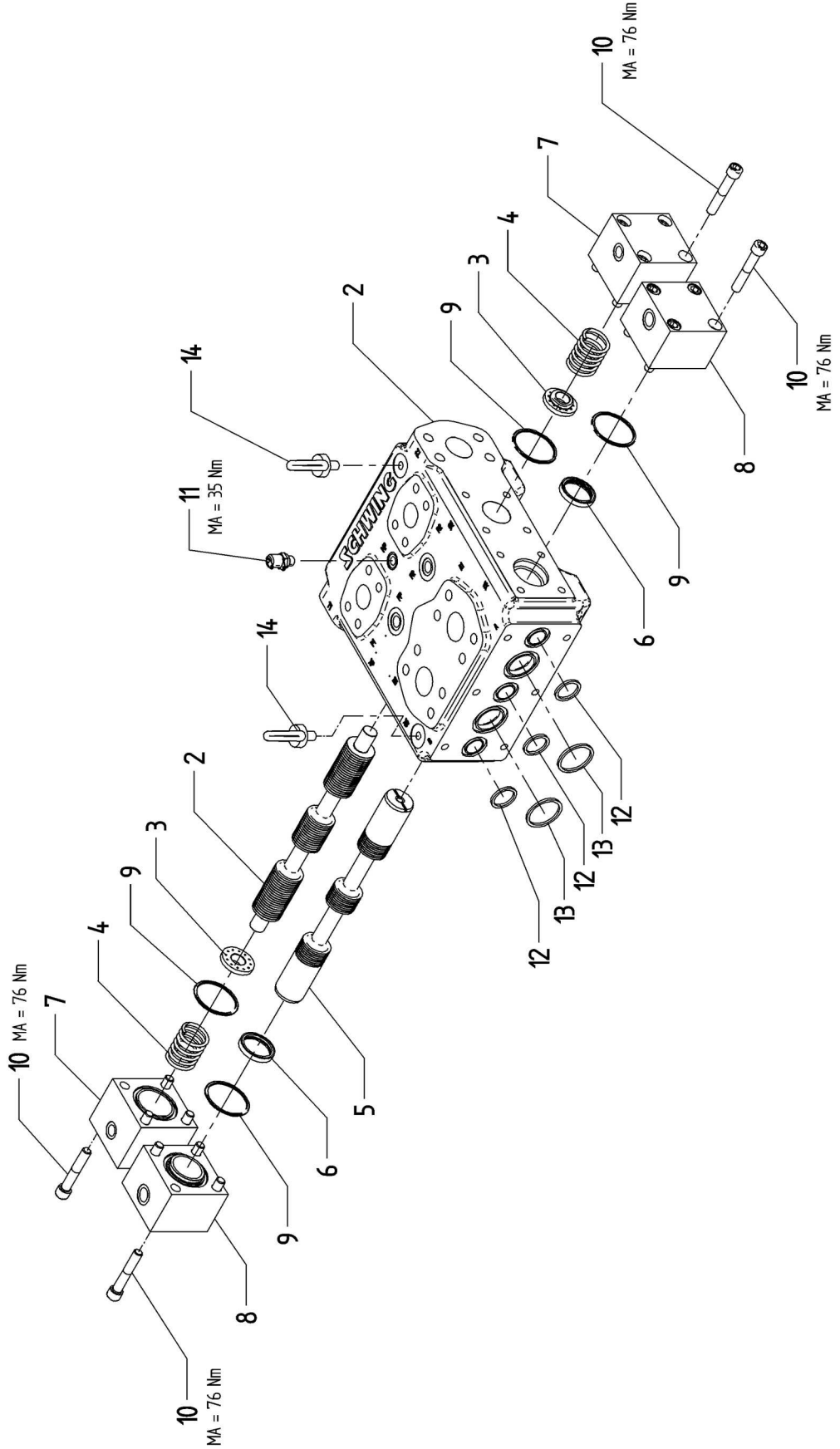
Material **10177381****CONTROL BLOCK S1-2-S3 CPL. WITH FLANGES, 265 L/MIN**

Item	Qty	Unit	ID No	Description
20	6	Nos.	10132767	THREADED PLUG G 1/2 X 14 YELLOW mat: PE-HD
21	2	Nos.	10132769	THREAD PLUG G 1 X 11 YELLOW mat: PE-HD



Material **10183124****CONTROL BLOCK NG 30, S1 - 2 - S3 CPL S1-2-S3 MO30.1-SV-300**

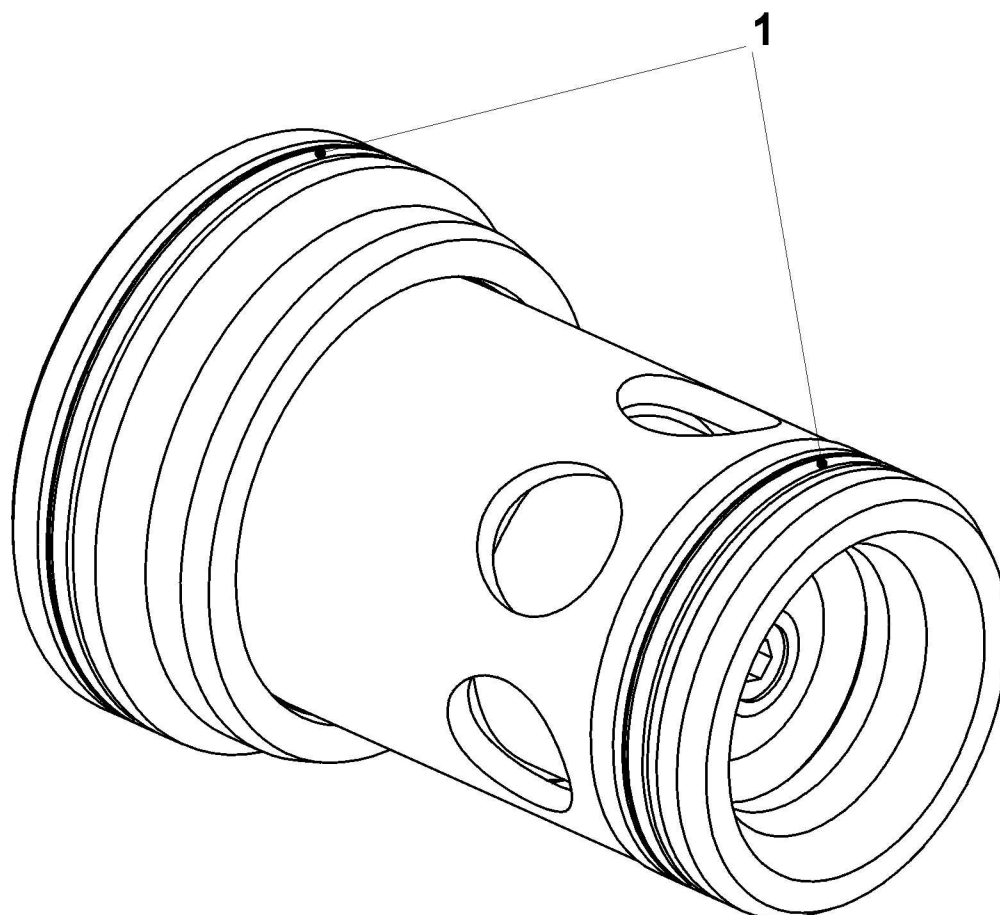
Item	Qty	Unit	ID No	Description
1	1	No.	10182435	SUP-ASSEMBLY S1-2 MO30.1
2	1	No.	10165180	VALVE INSERT 2 WAY NG 32 (PRESSURE VALVE) DIN 24342
3	1	No.	10171772	CONTROL UNIT SV F.S1 - 2
4	4	Nos.	10001326	HEXAGON SOCKET HEAD CAP SCREW DIN 912 M 16 X 60 - 8.8 - A2C
5	1	No.	10183119	CONTROL BLOCK NG 30, S3 CPL F S1-2-S3 MO30.1
6	6	Nos.	10065975	HEXAGON SOCKET HEAD CAP SCREW DIN 912 M12 X 60 - 10.9 - DT 500



Material 10182435

SUP-ASSEMBLY S1-2 MO30.1

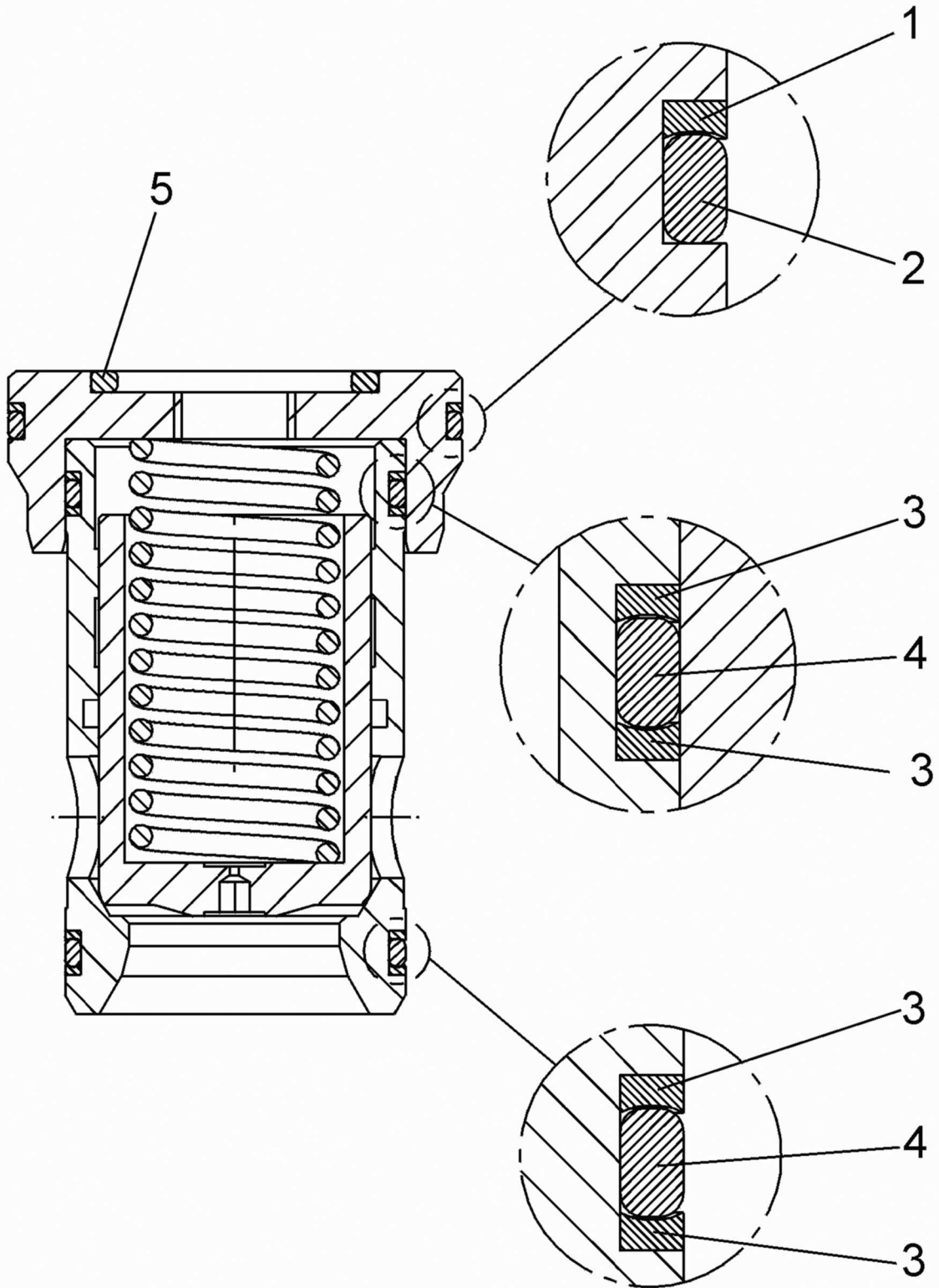
Item	Qty	Unit	ID No	Description
1	1	No.	10182307	VALVE HOUSING F. S1-2 MO30.1 mat:EN-GJS-500-7
2	1	No.	10165035	PISTON S1 mat: 42 CrMo4 + QT
3	2	Nos.	10002148	DISC mat: C45E
4	2	Nos.	10002425	PRESSURE SPRING 4 X 36 X 71
5	1	No.	10165036	PISTON S2 MO30 mat: 42CrMo4 + QT
6	2	Nos.	10012573	GROOVED RING 40 X 48.5 X 7 NR. Y3N 78-K02
7	2	Nos.	10167708	COVER FOR CONTROL BLOCK S1-2 S1 mat:9SMn28K
8	2	Nos.	10165037	COVER FOR CONTROL BLOCK S1-2 mat:9SMn28K
9	4	Nos.	10118767	O - RING 56.74 X 3.53 mat: NBR 80
10	16	Nos.	10001203	HEXAGON SOCKET HEAD CAP SCREW DIN 912 M 12 X 70 - 8.8 - A2C
11	1	No.	10020459	MINIMESS SCREW TYPE COUPLING SKK12-G 1/4- PC
12	3	Nos.	10183794	SQUARE RING 29.74 X 3.40 mat: NBR 90
13	2	Nos.	10183795	SQUARE RING 44.04 X 3.40 mat: NBR 90
14	2	Nos.	10015032	LIFTING EYE BOLT DIN 580 M 12 mat: C15E



Dichsatz 10173758
Sealing set
Jeu de joints
Juego de juntas

Material **10165180****VALVE INSERT 2 WAY NG 32 (PRESSURE VALVE) DIN 24342**

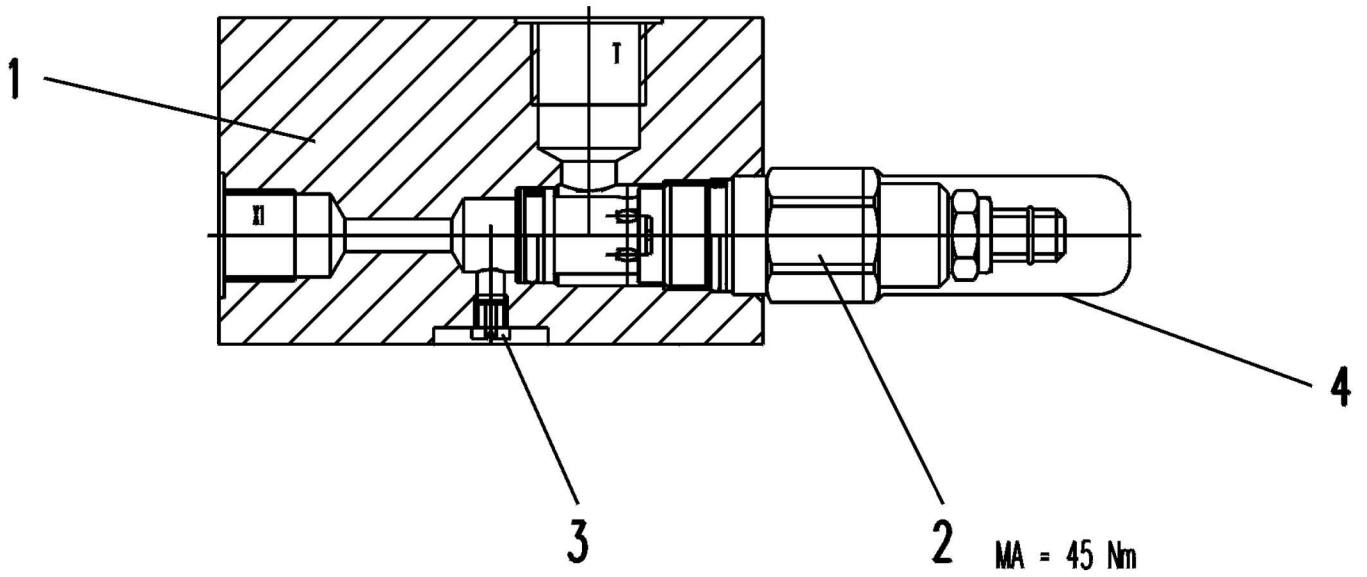
Item	Qty	Unit	ID No	Description
1	1	No.	10173758	SEALING SET FOR INSERT VALVE NG 32, DIN 24342 NBR mat: NBR



Material **10173758**

SEALING SET FOR INSERT VALVE NG 32, DIN 24342 NBR

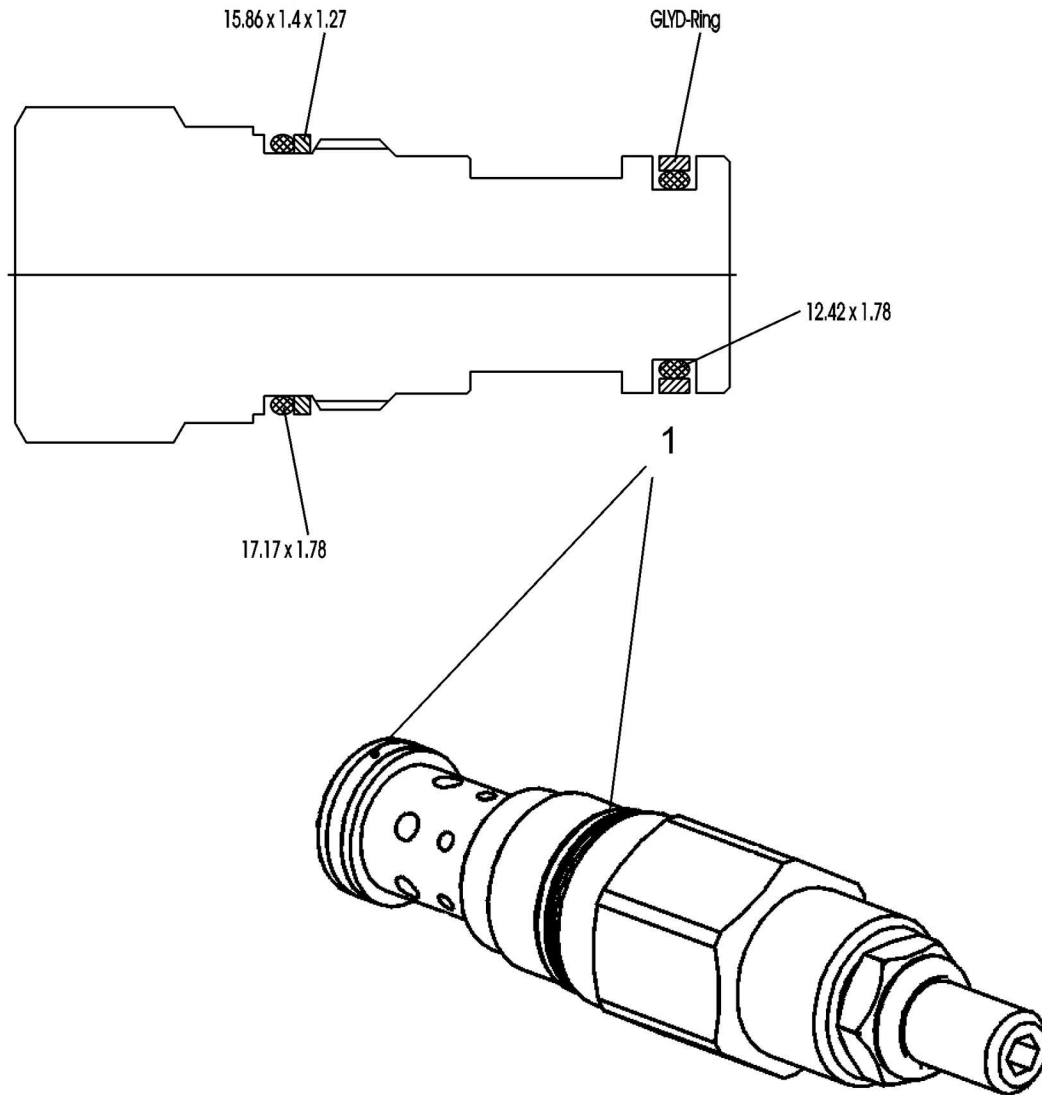
Item	Qty	Unit	ID No	Description
1	1	No.	10181078	SUPPORT RING 56.03 X 2.18 mat: NBR 90
2	1	No.	10201821	O - RING 55.25 X 2.62 mat: NBR 90
3	4	Nos.	10181077	SUPPORT RING 40.16 X 2.18 mat: NBR 90
4	2	Nos.	10197910	O - RING 39.34 X 2.62 mat: NBR 90
5	1	No.	10108127	O - RING 31.34 X 3.53 mat: NBR 90



Material **10171772**

CONTROL UNIT SV F. S1-2

Item	Qty	Unit	ID No	Description
1	1	No.	10171774	VALVE HOUSING FOR CONTROL UNIT SV, F. S1-2 mat: 11SMn30 + C
2	1	No.	10139333	VALVE CARTRIDGE FA. SUN 9701 11J G01
3	1	No.	10077794	NOZZLE 1.4 MM "P" HD - 44 - 12 - 1.4 mat: St
4	1	No.	10160910	CAP SW 17-2-G47/H35 mat: LD-PF

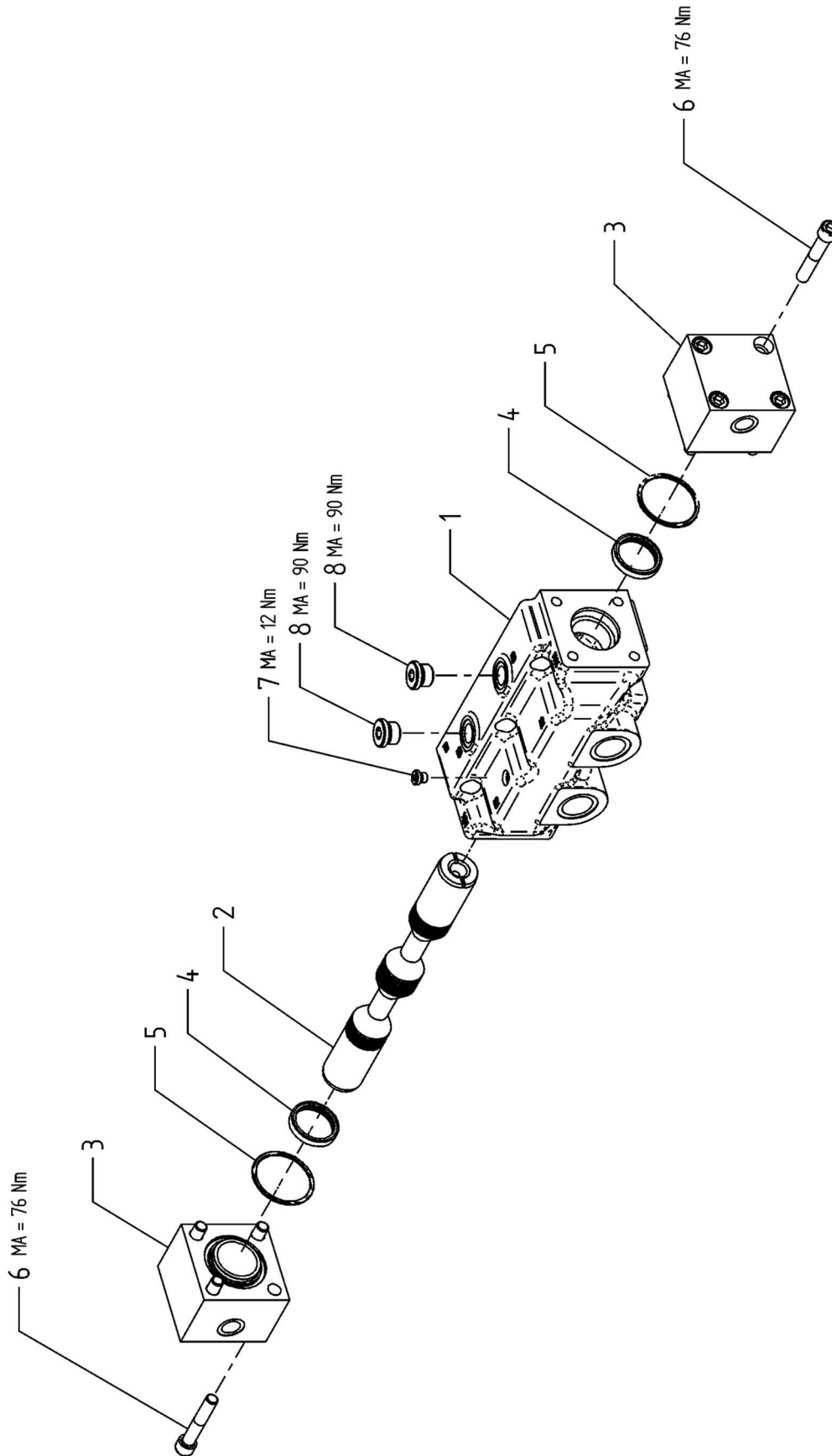


Dichsatz 10172212
Sealing set
Jeu de joints
Juego de juntas

Material 10139333

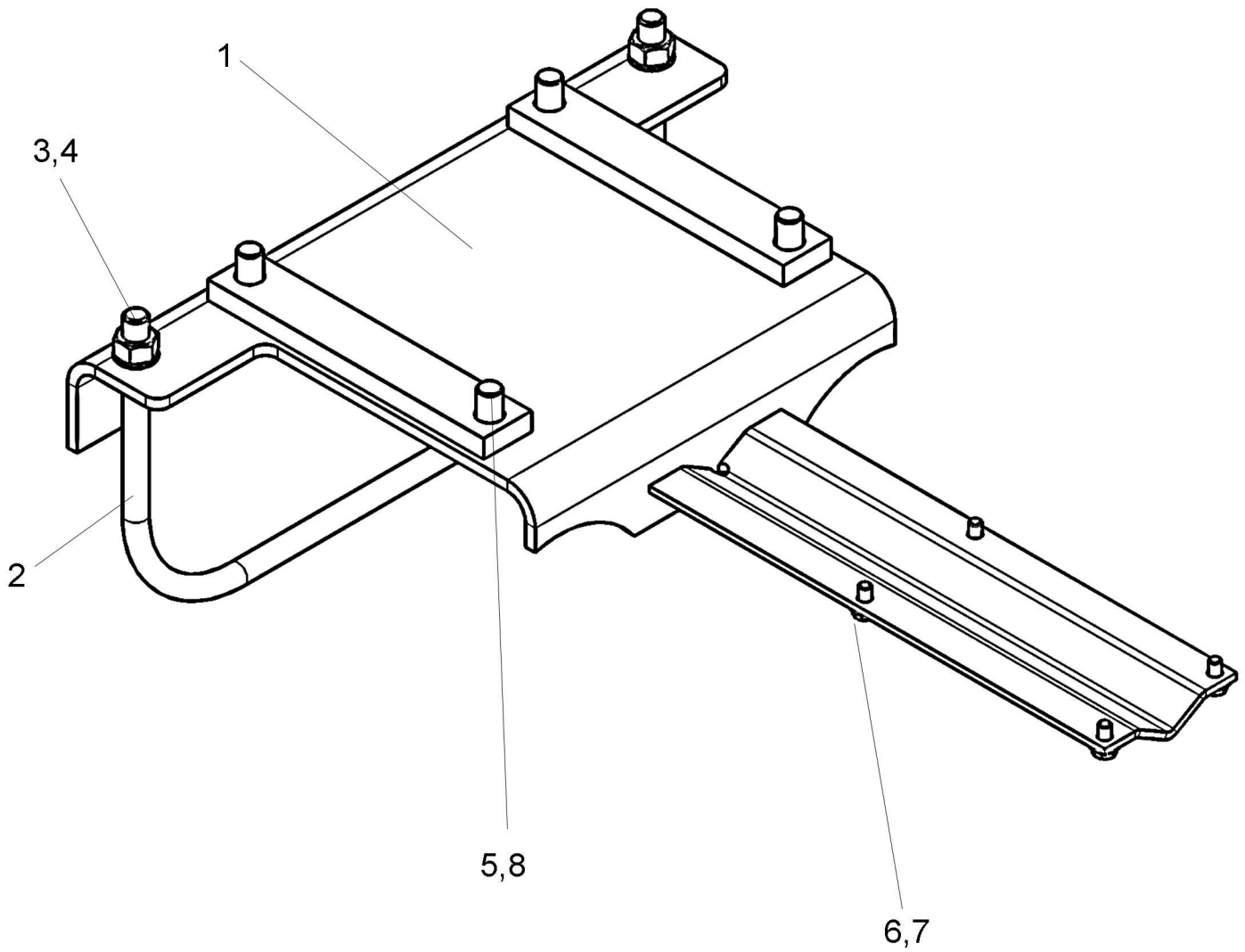
VALVE CARTRIDGE

Item	Qty	Unit	ID No	Description
1	1	No.	10172212	SEALING SET 990-310-007 FOR VALVE CARTRIDGE



Material **10183119****CONTROL BLOCK NG 30, S3 CPL. F. S1-2-S3 MO30.1**

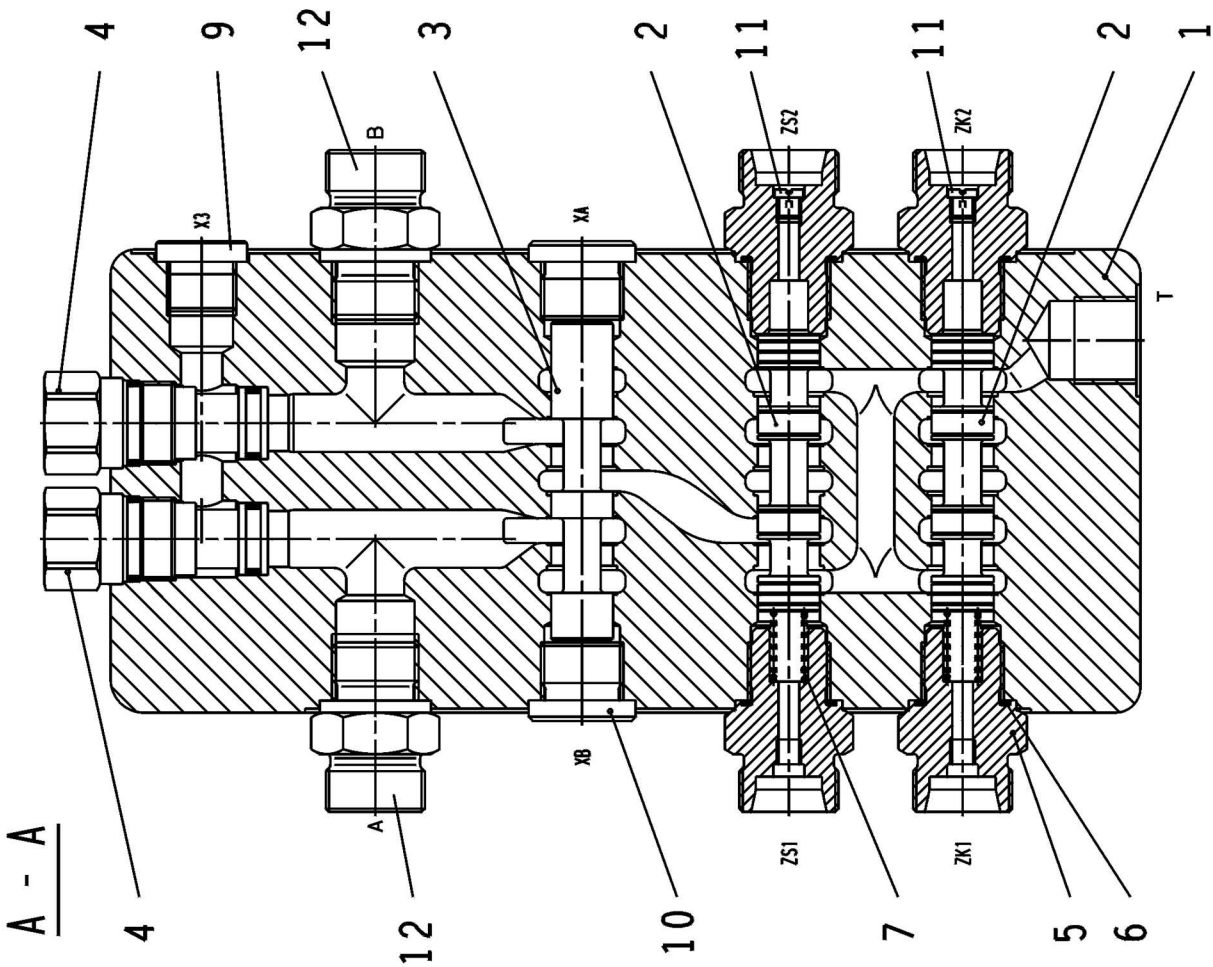
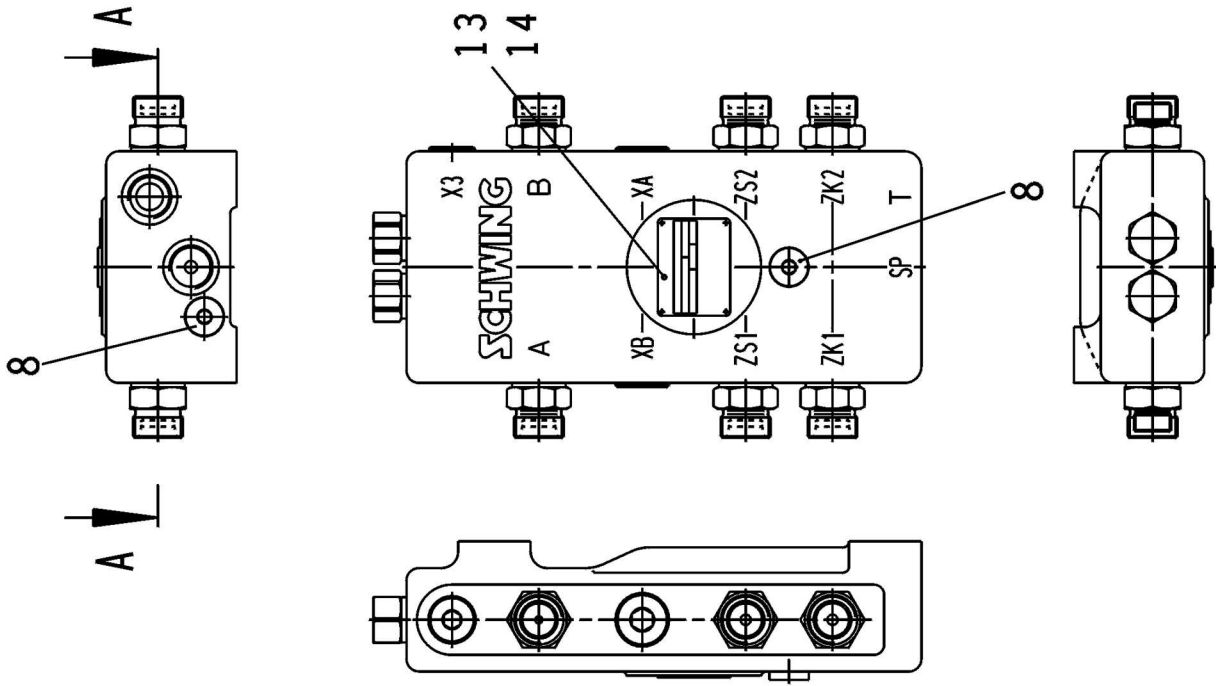
Item	Qty	Unit	ID No	Description
1	1	No.	10181898	VALVE HOUSING F.S3 MO30.1 mat: EN-GJS-500-7
2	1	No.	10172538	PISTON S3 mat: 42 CrMo4 + QT
3	2	Nos.	10165037	COVER FOR CONTROL BLOCK S1-2 mat:9SMn28K
4	2	Nos.	10012573	GROOVED RING 40 X 48.5 X 7 NR. Y3N 78-K02
5	2	Nos.	10118767	O - RING 56.74 X 3.53 mat: NBR 80
6	8	Nos.	10001203	HEXAGON SOCKET HEAD CAP SCREW DIN 912 M 12 X 70 - 8.8 - A2C
7	1	No.	10121917	SCREW PLUG VS-R 1/8- WD
8	2	Nos.	10044494	LOCKING PLUG VS-R 1/2-WD



Material 10196745

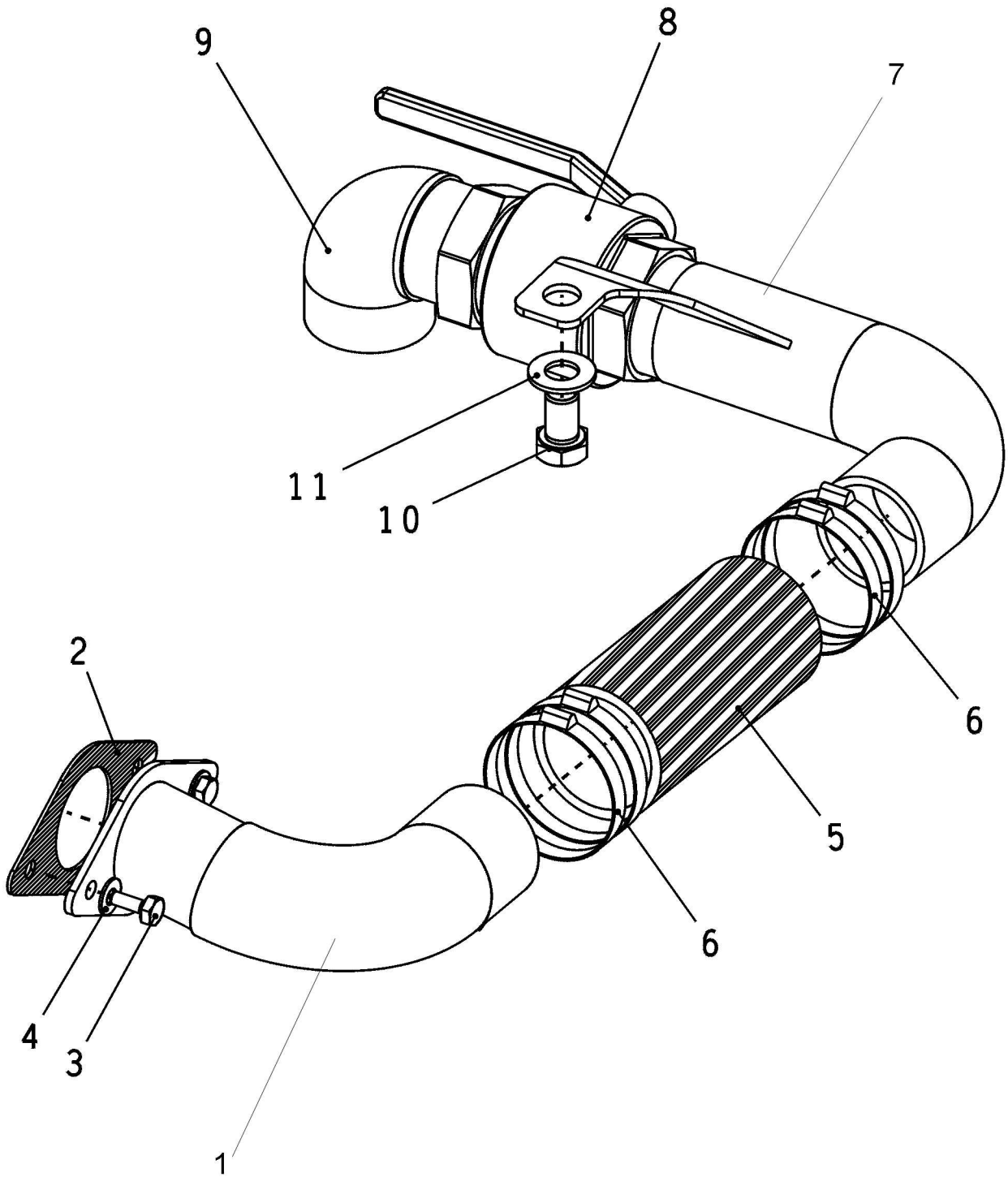
CONTROL BLOCK SUPPORT MA = 260 S1, S2, S3 CPL.

Item	Qty	Unit	ID No	Description
1	1	No.	10196746	CONTROL BLOCK SUPPORT MA = 260
2	1	No.	10180594	STIRRUP
3	2	Nos.	10001260	HEXAGON NUT DIN 934 M16 - 8 - A2C
4	2	Nos.	10002052	DISC DIN 433 17 - St - A3C
5	4	Nos.	10001341	HEXAGON HEAD SCREW DIN 933 M 16 X 45 - 8.8 - A2C
6	4	Nos.	10001796	HEXAGON HEAD SCREW DIN 933 M8 X 16 - 8.8 - A2C
7	4	Nos.	10219842	SCREW RETAINER SKM 8 DT 320
8	4	Nos.	10133552	SCREW RETAINER SKM 16 DT 320



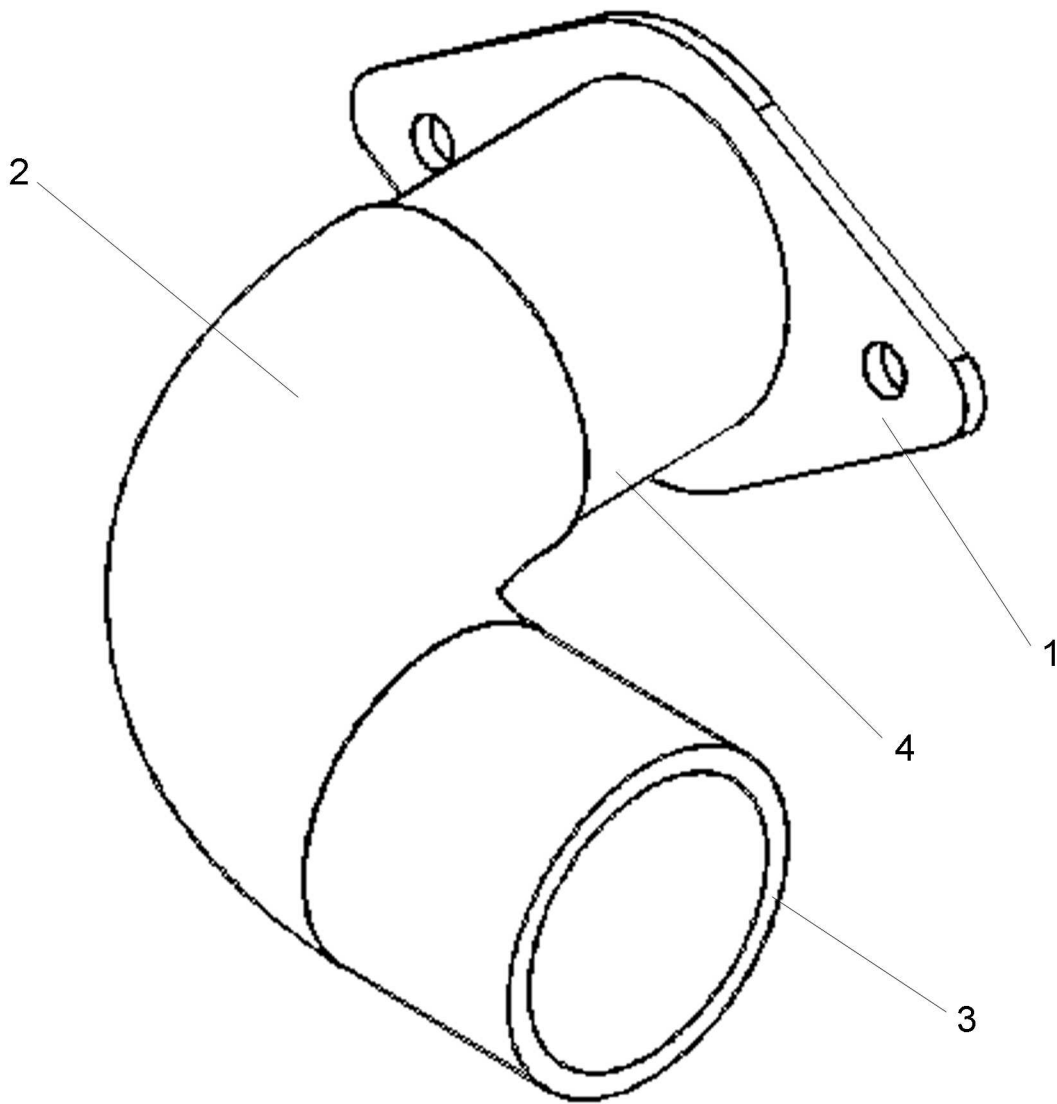
Material **10180280****CONTROL BLOCK VBL - 4/2-2**

Item	Qty	Unit	ID No	Description
1	1	No.	10174922	VALVE HOUSING FOR VBL - MPS - V
2	2	Nos.	10171647	PISTON NO. 1 FOR MPS CONTROL BLOCK
3	1	No.	10180285	PISTON F. VBL-4/2-2 mat: C 15
4	2	Nos.	10182086	BLANK CARTRIDGE XGCA
5	4	Nos.	10204123	CONNECTION PIECE 16 S CPL.
6	2	Nos.	10072866	PRESSURE SPRING 1.2 X 7.4 X 21 (EV 200.008) mat: 54SiCr6
7	2	Nos.	10006658	SCREW PLUG VS-R 1/4 WD
8	1	No.	10068021	SCREW PLUG VS-R 3/8" WD
9	2	Nos.	10180287	SCREW PLUG VS-M 20 X 1.5 WD mat: ST/NBR
10	4	Nos.	10077824	NOZZLE 1.3MM "C" HD - 44 - 12 - 1.3
11	2	Nos.	10146265	NOZZLE 3.5MM "X" GES - 16 - SR - WD (EV 302.001)



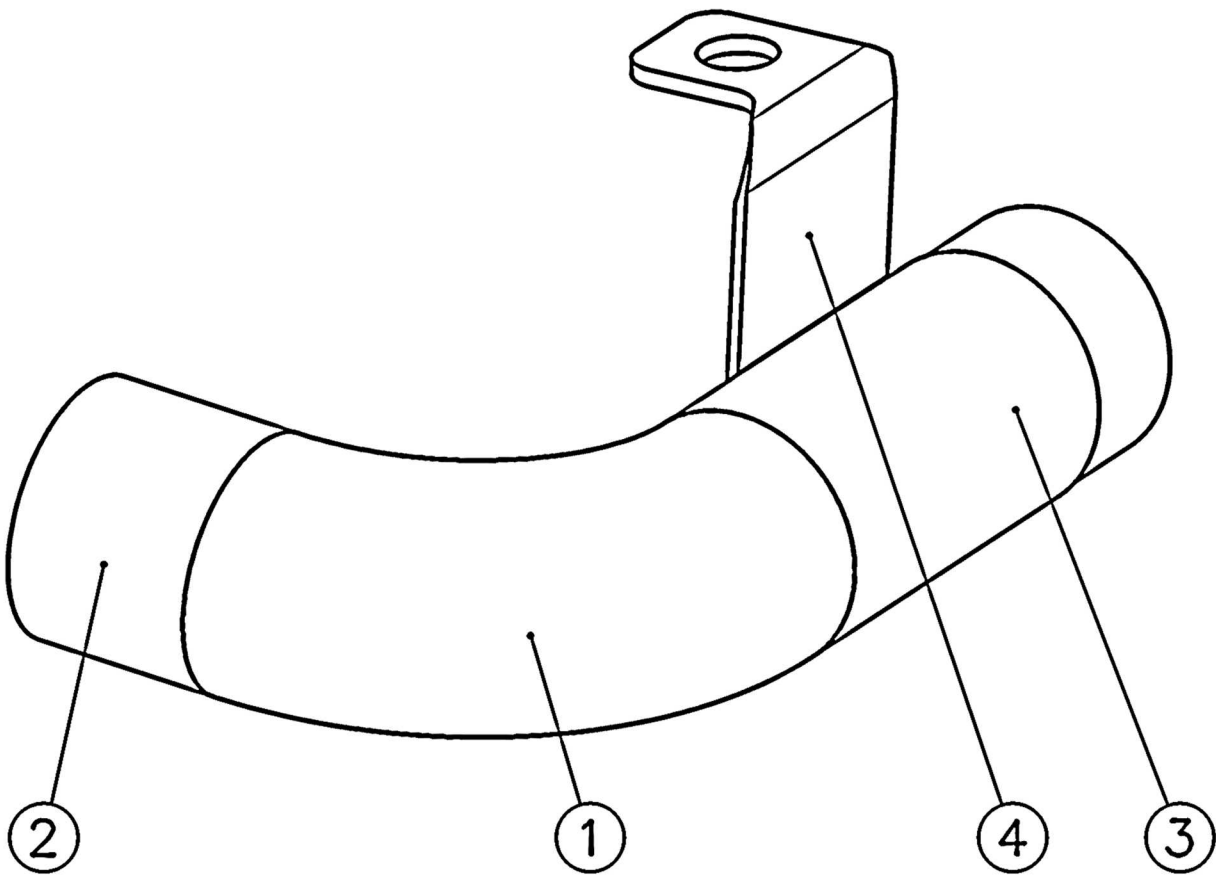
Material **10174013****WATER BOX OUTLET MA 260 CONCRETE PUMP MODEL**

Item	Qty	Unit	ID No	Description
1	1	No.	10177902	CONNECTION PIECE DN 50 90 DEGREES
2	1	No.	10176897	SEAL DN 50 mat: ABIL
3	2	Nos.	10001515	HEXAGON HEAD SCREW DIN 933 M8 X 20 - 8.8 - A2C
4	2	Nos.	10129842	SCREW RETAINER SKM 8 DT 320
5	0.15	M	10014232	PLASTIC HOSE 60 X 5 (2")
6	4	Nos.	10004219	HOSE CLAMP 33-76 SS 4000
7	1	No.	10177949	TUBE SUPPORT
8	1	No.	10104367	BALL COCK PN 40, TYPE 3-3368
9	1	No.	10012568	ANGLE DIN EN 10242 A4 - 2 - Zn - A
10	1	No.	10001591	HEXAGON HEAD SCREW DIN 933 M 16 X 25 - 8.8 - A2C
11	1	No.	10133552	SCREW RETAINER SKM 16 DT 320



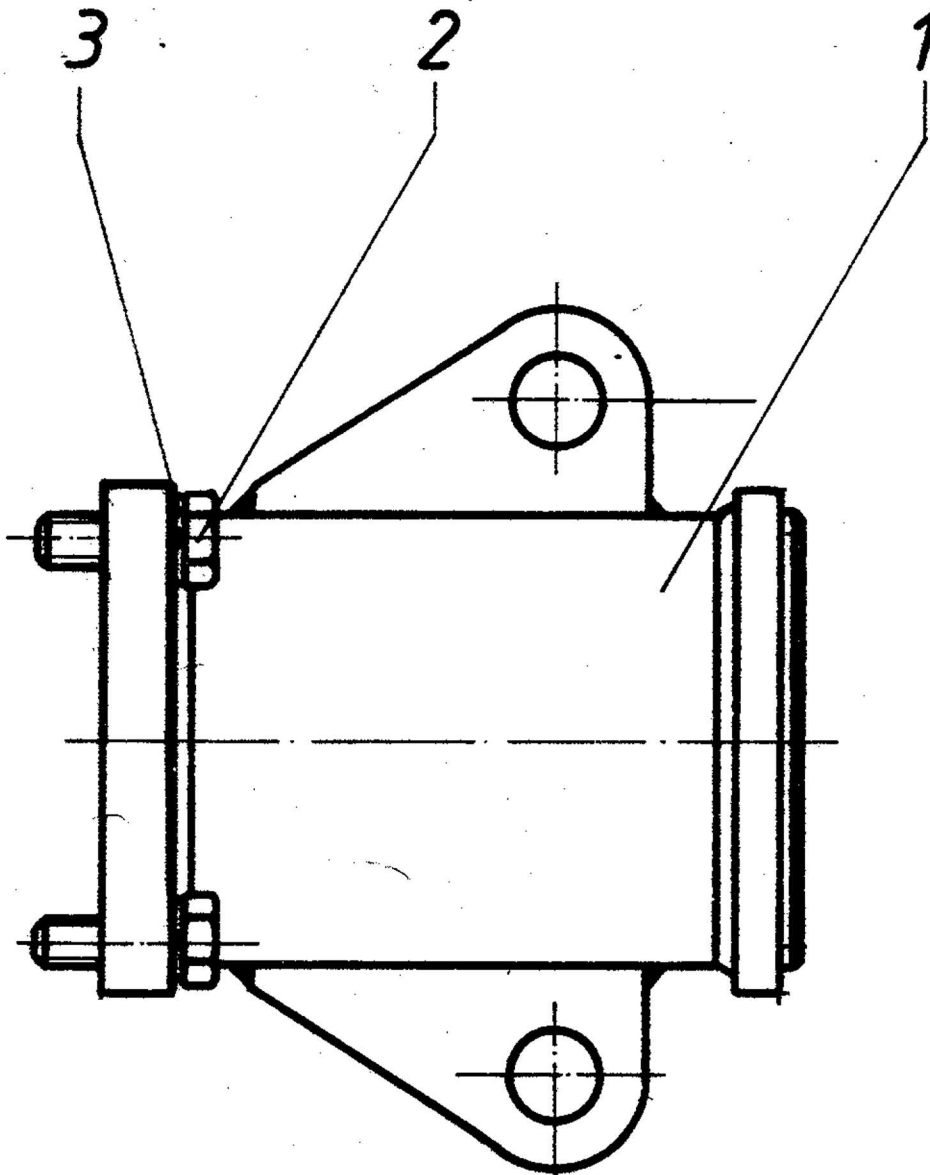
Material **10177902****CONNECTION PIECE DN 50 90 DEGREES**

Item	Qty	Unit	ID No	Description
1	1	No.	10173999	FLANGE DN 50 mat: S355J2G3
2	1	No.	10094894	BEND DIN 2605 - 1 - 90 - 3 - 60, 3 X 4.5 S - C
3	1	No.	10177912	TUBE 60.3 X 4.5 X 45 DIN 2448 mat: S355J2H
4	1	No.	10177913	TUBE A 57 X 2.9 X 50 DIN 2448 (10 DEGREES) mat: P35551



Material **10177949****TUBE SUPPORT WATER BOX OUTLET**

Item	Qty	Unit	ID No	Description
1	1	No.	10094894	BEND DIN 2605 - 1 - 90 - 3 - 60.3 Z 4.5 S -C mat: St 52.0
2	1	No.	10177912	TUBE 60.3 X 4.5 X 45 DIN 2448 mat: S355J2H
3	1	No.	10132572	THREADED PIPE A 60.3 X 3.6 X 130 mat: St 52.0
4	1	No.	10177950	PLATE mat: S235JRG2



Material **10162289****OUTLET SOCKET DN 180 R WITH FIXTURE**

Item	Qty	Unit	ID No	Description
1	1	No.	10162290	JOINING PIPE DN 180
2	4	Nos.	10018118	HEXAGON HEAD SCREW DIN 933 M24 X 65 - 8.8 - A3C
3	4	Nos.	10015400	LOCK WASHER S24 mat: FEDERSTAHL

Material 10180497

HYDRAULIC SYSTEM BP 1500 BR 02 PUMP KIT

Item	Qty	Unit	ID No	Description
1	2	Nos.	10008118	FITTING BODY GES 38 SR
2	4	Nos.	10018530	FITTING EWSD - 38 - S
3	1	No.	10000230	HOSE HYDRAULIC 350 BAR DN 32/4SH X 1100
4	2	Nos.	10049976	HYDRAULIC HOSE 380 BAR DN 25/4SH X 750
5	4	Nos.	10065682	FITTING EWSD - 30 - S
6	2	Nos.	10008125	FITTING GSS - 30 - S
7	2	Nos.	10181824	HYDRAULIC HOSE 380 BAR DN 25/4SH X 1100
8	2	Nos.	10095380	FITTING REDSD 38/30 - S
9	2	Nos.	10018530	FITTING EWSD - 38 - S
10	2	Nos.	10008118	FITTING BODY GES 38 SR
11	2	Nos.	10008108	FITTING HYDRAULIC GES 16 SR
12	2	Nos.	10019729	FITTING HYDRAULIC REDSD 16S/12L A3L
13	1	No.	10050172	HYDRAULIC HOSE 350 BAR DN 8/2ST X 800
14	1	No.	10025658	HYDRAULIC HOSE 350 BAR DN 8/2ST X 1100
15	2	Nos.	10008022	FITTING RSWS - 12 - LR
16	2	Nos.	10008108	FITTING HYDRAULIC GES 16 SR
17	2	Nos.	10019729	FITTING HYDRAULIC REDSD 16S/12L A3L
18	1	No.	10050175	HYDRAULIC HOSE 350 BAR DN 8/2ST X 1200
19	1	No.	10050177	HYDRAULIC HOSE 350 BAR DN 8/2ST X 1300
20	2	Nos.	10008022	FITTING RSWS - 12 - LR
21	2	Nos.	10144775	CHECK VALVE RVL G1/2 RVL-G1/2 CXFA XCN 20

Material 10180497

HYDRAULIC SYSTEM BP 1500 BR 02 PUMP KIT

Item	Qty	Unit	ID No	Description
22	8	Nos.	10008025	FITTING RSWS - 16 - SR
24	8	Nos.	10001743	CAP NUT M 16 S
25	8	Nos.	10001732	PROFILE RING P-R 16 S
26	2	Nos.	10030252	FITTING HYDRAULIC GES 12 L/R 1/2
27	2	Nos.	10018570	FITTING HYDRAULIC EWSD 12 L
28	2	Nos.	10019729	FITTING HYDRAULIC REDSD 16S/12L A3L
29	2	Nos.	10050167	HYDRAULIC HOSE 350 BAR DN 8/2ST X 400
30	1	No.	10000217	HOSE HYDRAULIC 350 BAR DN 32/4SH X 900
31	1	No.	10018530	FITTING - 38 - S
32	1	No.	10062367	HYDRAULIC HOSE 380 BAR DN 25/4SH X 1200
33	1	No.	10001530	SCREW JOINT RED R 1/2 WD / R 3/8
34	1	No.	10018568	FITTING EGESD 12 LR WD
35	1	No.	10019121	FITTING ELSD - 12 - L
36	1	No.	10008142	FITTING MAS - 12 - LR
37	1	No.	10020459	MINIMESS SCREW TYPE COUPLING SKK 12-G 1/4 PC
38	1	No.	10025656	HYDRAULIC HOSE 350 BAR DN 8/2ST X 600
39	1	No.	10018570	FITTING HYDRAULIC EWSD 12 L
40	1	No.	10030252	FITTING HYDRAULIC GES 12 L/R 1/2
41	2	Nos.	10018570	FITTING HYDRAULIC EWSD 12 L
42	1	No.	10050169	HOSE HYDRAULIC 350 BAR DN 8/2ST X 550
43	1	No.	10008025	FITTING RSWS - 16 - SR

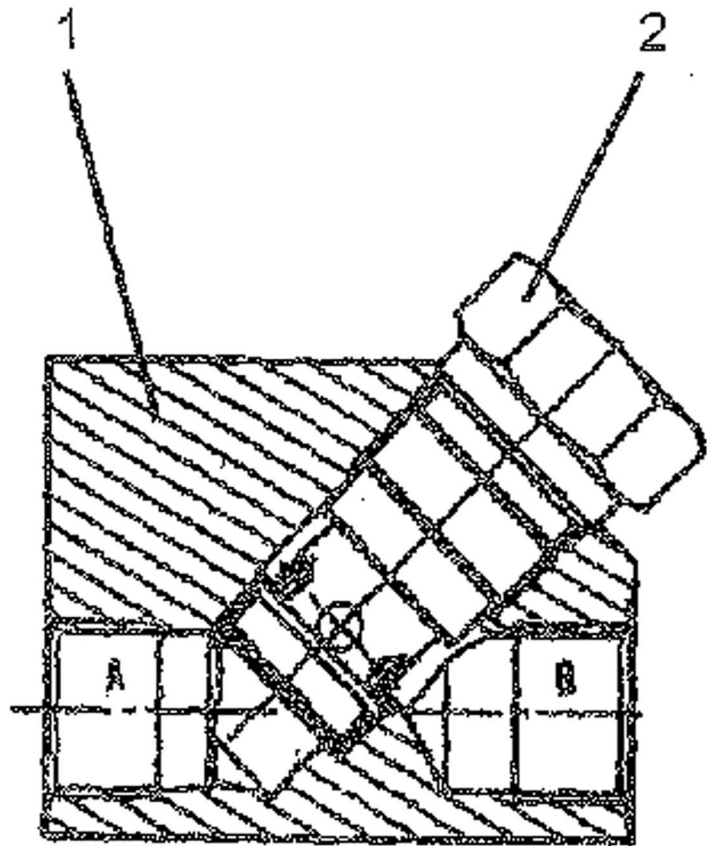
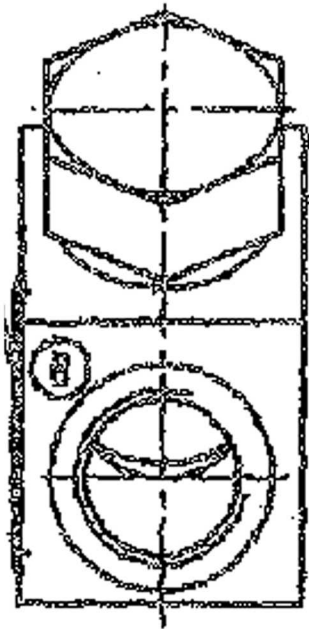
Material 10180497

HYDRAULIC SYSTEM BP 1500 BR 02 PUMP KIT

Item	Qty	Unit	ID No	Description
44	1	No.	10024672	HOSE HYDRAULIC 415 BAR DN 12/4SP X 1100
45	4	Nos.	10008115	FITTING GES - 25 - SR
46	2	Nos.	10049958	HOSE HYDRAULIC 350 BAR DN 20/4SP X 900
47	4	Nos.	10018417	FITTING EWSD 25 S
48	1	No.	10049957	HOSE HYDRAULIC 350 BAR DN 20/4SP X 650
49	1	No.	10049960	HOSE HYDRAULIC 350 BAR DN 20/4SP X 1100
50	3	Nos.	10008108	FITTING HYDRAULIC GES 16 SR
51	1	No.	10020109	SCREW JOINT EGESD 16 SR WD
52	2	Nos.	10019122	FITTING HYDRAULIC EWSD 16 S
53	1	No.	10004680	BALL COCK KHS 16
54	1	No.	10062202	HOSE HYDRAULIC 415 BAR DN 12/4SP X 800
55	1	No.	10018480	HOSE HYDRAULIC 415 BAR DN 12/4SP X 900
56	2	Nos.	10008056	FITTING HYDRAULIC TS 16 S
57	2	Nos.	10018480	HOSE HYDRAULIC 415 BAR DN 12/4SP X 900
58	2	Nos.	10019122	FITTING HYDRAULIC EWSD 16 S
59	2	Nos.	10008108	FITTING HYDRAULIC GES 16 SR
60	2	Nos.	10007924	CHECK VALVE S 10 A 2.0 R 1/2"
61	2	Nos.	10020109	SCREW JOINT EGESD 16 SR WD
62	2	Nos.	10008121	FITTING REDUCER STRAIGHT REDSDN 25/16 S
63	4	Nos.	10019122	FITTING HYDRAULIC EWSD 16 S
64	2	Nos.	10008108	FITTING HYDRAULIC GES 16 SR

Material **10180497****HYDRAULIC SYSTEM BP 1500 BR 02 PUMP KIT**

Item	Qty	Unit	ID No	Description
65	1	No.	10049900	HOSE HYDRAULIC 415 BAR DN 12/4SP X 400
66	1	No.	10024672	HOSE HYDRAULIC 415 BAR DN 12/4SP X 1100
70	1	No.	10008110	FITTING HYDRAULIC GES 20 SR
71	2	Nos.	10018850	FITTING HYDRAULIC EWSD 20 S
72	1	No.	10049941	HYDRAULIC HOSE 350 BAR DN 16/4SP X 550
73	1	No.	10019736	HYDRAULIC HOSE 350 BAR DN 16/4SP X 700
80	1	No.	10180725	ROHR BOX BP 1500 PUMP KIT



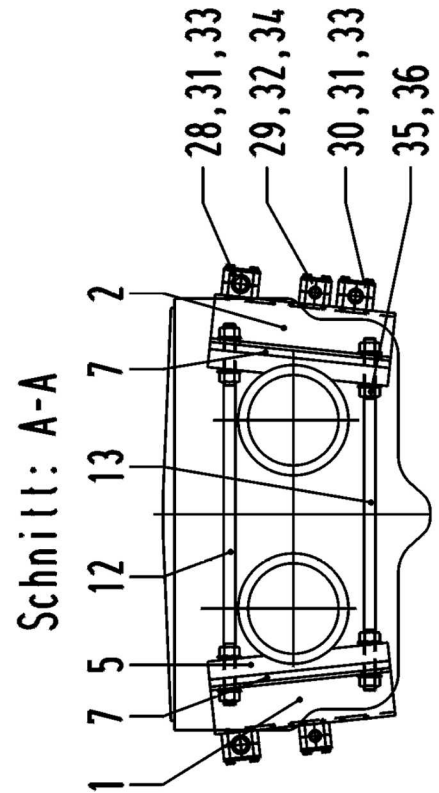
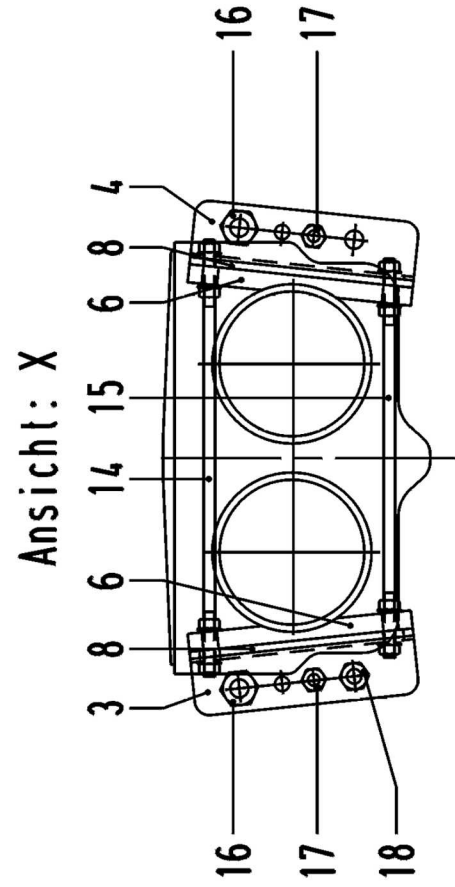
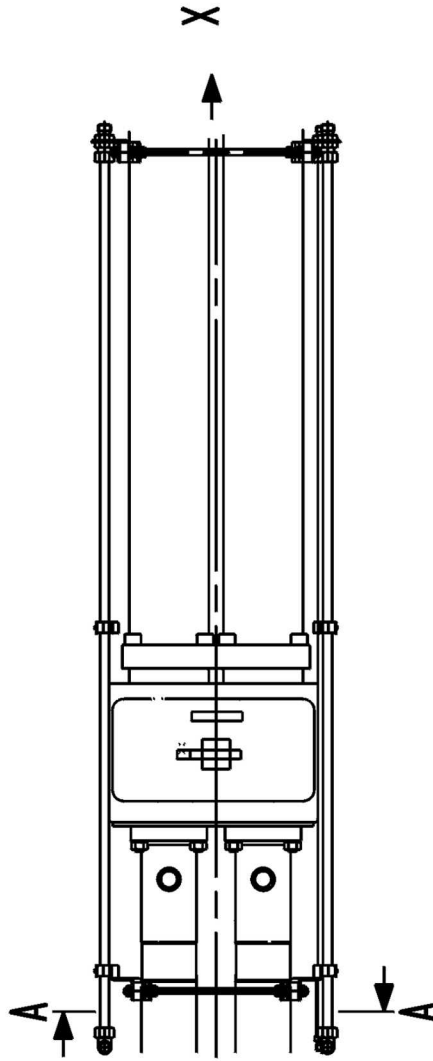
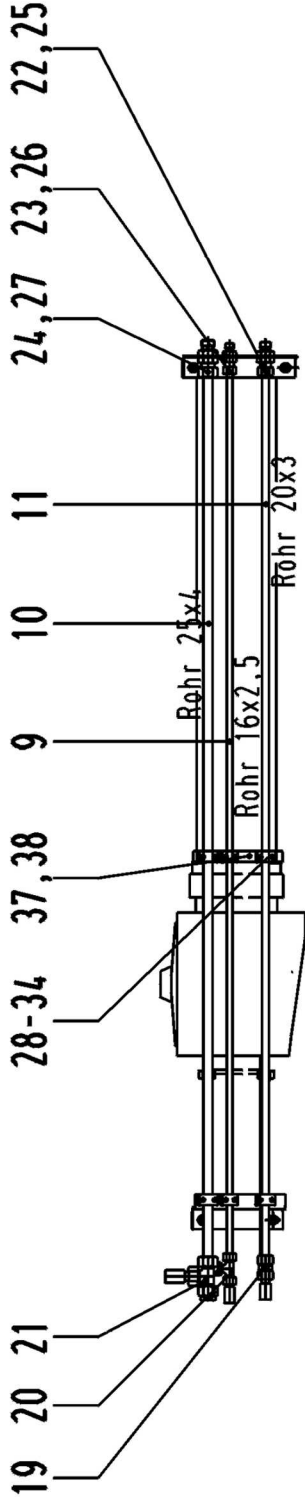
Material **10144775****CHECK VALVE RVL G 1/2 RVL G 1/2 CXFA XCN 20**

Item	Qty	Unit	ID No	Description
1	1	No.	10144769	VALVE HOUSING F RVL G 1/2 CXFA X*N mat: 9SMn28K
2	1	No.	10144771	VALVE CARTRIDGE 2 BAR

Material 10144771

VALVE CARTRIDGE 2 BAR

Item	Qty	Unit	ID No	Description
1	1	No.	10172210	SEALING SET FOR VALVE CARTRIDGE



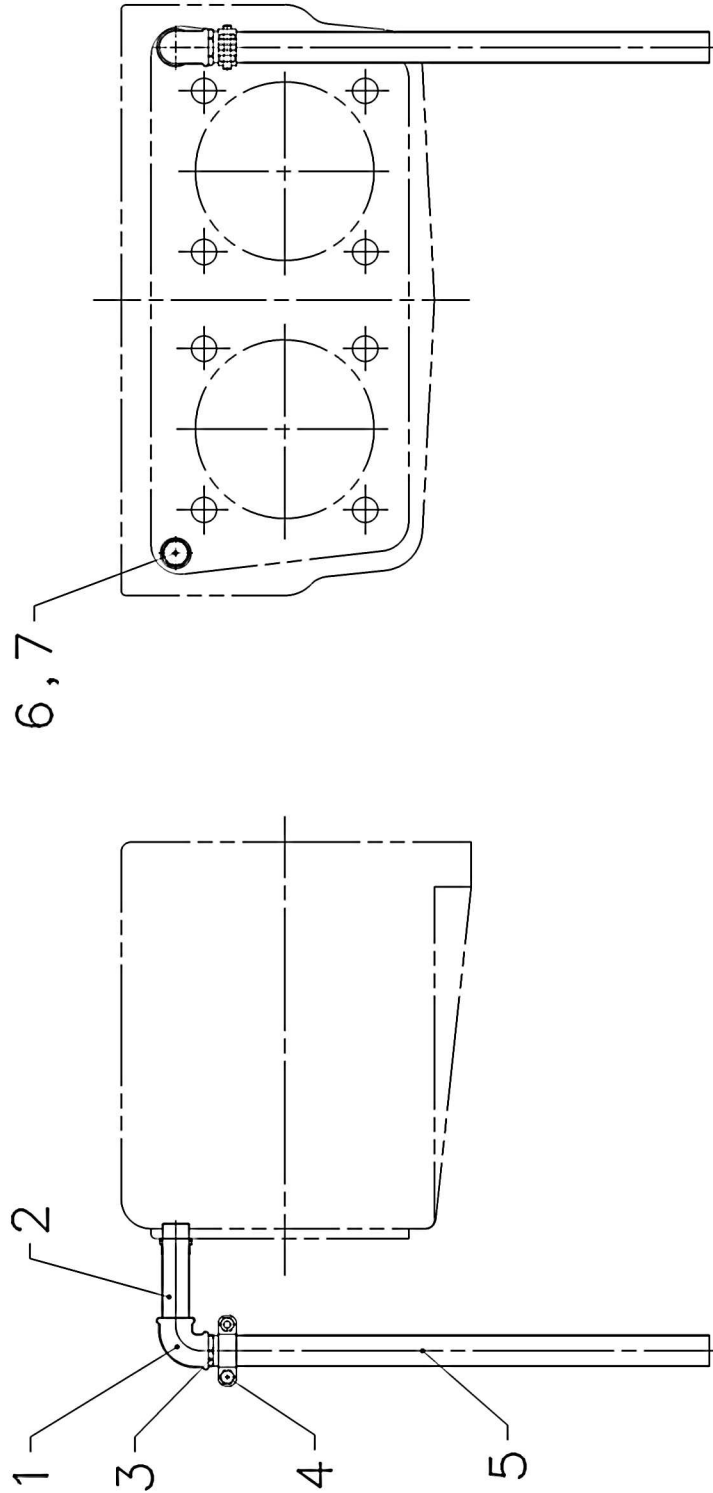
Material 10180725

ROHR BOX BP 1500 PUMP KIT

Item	Qty	Unit	ID No	Description
1	1	No.	10193643	TUBE SUPPORT mat: S235JRG2
2	1	No.	10193644	TUBE SUPPORT mat: S235JRG2
3	1	No.	10193647	TUBE SUPPORT mat: S235JRG2
4	1	No.	10193646	TUBE SUPPORT mat: S235JRG2
5	2	Nos.	10017760	TUBE SUPPORT 159
6	2	Nos.	10176383	TUBE SUPPORT
9	2	Nos.	10156141	TUBE 16 X 2.5 X 2450 DIN 2391 C mat: P235T2 + NBK
10	2	Nos.	10180730	TUBE 25 X 4 X 2450 DIN 2391 C mat: P235T2 + NBK
11	1	No.	10064390	TUBE 20 X 3 X 2450 DIN 2391 C mat: P235T2 + NBK
12	1	No.	10180726	THREADED ROD D 16 X 530/90-90 mat: S355J2G3
13	1	No.	10180727	THREADED ROD D 16 X 490/90-90 mat: S355J2G3
14	1	No.	10180728	THREADED ROD D 16 X 610/90-90 mat: S355J2G3
15	1	No.	10180729	THREADED ROD D 16 X 560/90-90 mat: S355J2G3
16	2	Nos.	10008122	FITTING GSS 25 S
17	2	Nos.	10008112	FITTING GSS 16 S
18	1	No.	10008001	FITTING GSS 20 S
19	1	No.	10008093	FITTING HYDRAULIC GS 20 S
20	2	Nos.	10008050	FITTING BODY TS 6 L
21	2	Nos.	10008063	FITTING BODY TS 25 S
22	2	Nos.	10001741	CAP NUT M 20 S
23	4	Nos.	10001743	CAP NUT M 16 S

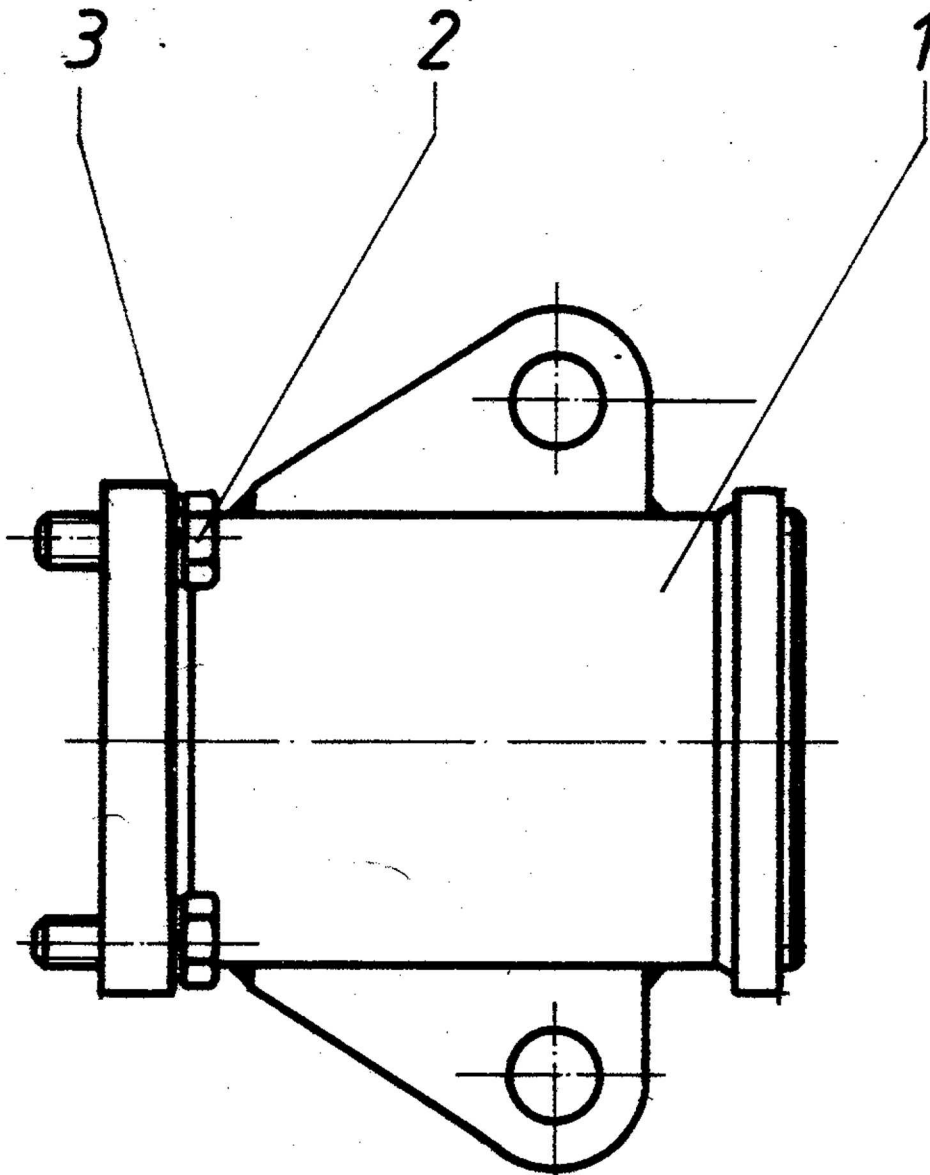
Material 10180725**ROHR BOX BP 1500 PUMP KIT**

Item	Qty	Unit	ID No	Description
24	2	Nos.	10001738	CAP NUT M 25 S
25	2	Nos.	10001733	PROFILE RING PR 20 S
26	4	Nos.	10001732	PROFILE RING PR 16 S
27	2	Nos.	10001734	PROFILE RING PR 25 S
28	8	Nos.	10006625	CLAMP HALF SECTION DN 25 III
29	8	Nos.	10006628	CLAMP HALF SECTION DN 16 II
30	6	Nos.	10006627	CLAMP HALF SECTION DN 20 III
31	6	Nos.	10002479	COVER PLATE DP III
32	4	Nos.	10002481	COVER PLATE DP II
33	12	Nos.	10001235	HEXAGON HEAD BOLT DIN 931 M6 X 40 8.8 A2C
34	8	Nos.	10001227	HEXAGON HEAD BOLT DIN 931 M6 X 35 8.8 A2C
35	16	Nos.	10001260	HEXAGON NUT DIN 934 M 16 8 A2C
36	16	Nos.	10001406	DISC DIN 9021 17 - 140HV A3C
37	2	Nos.	10178252	MOUNTING RAIL 28/11 X 250MM FOR EXHAUST PIPE CLAMP
38	10	Nos.	10051700	NUT TM 6 A2C



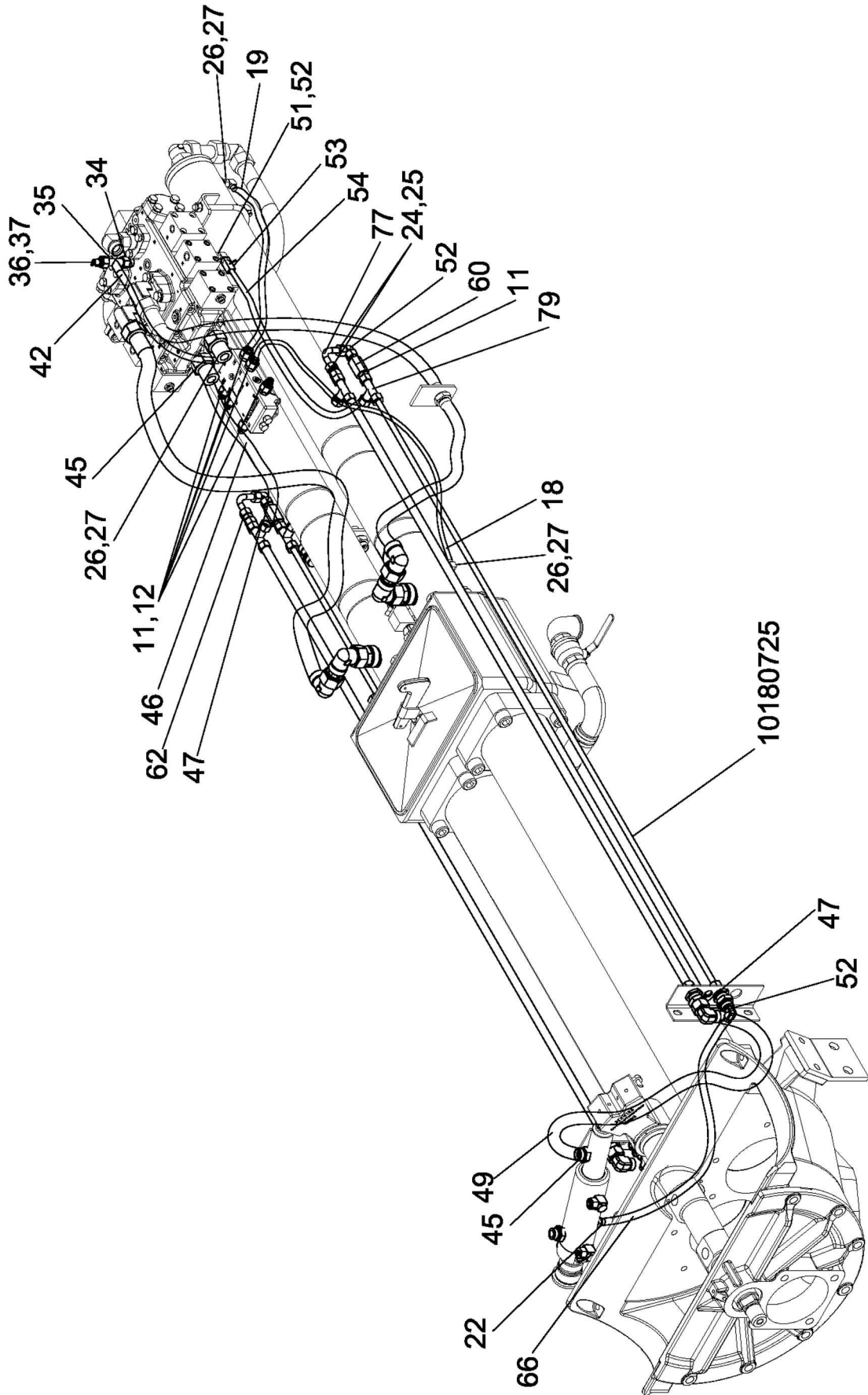
Material **10185674****WATER TANK SPILLWAY**

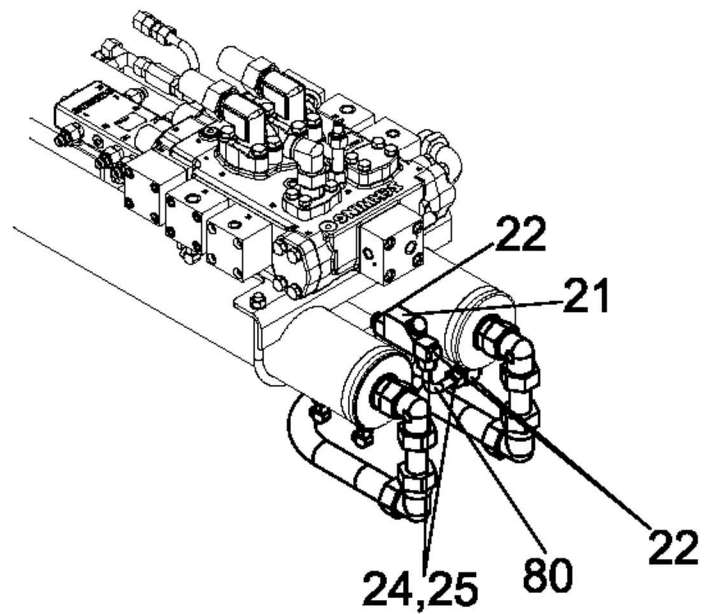
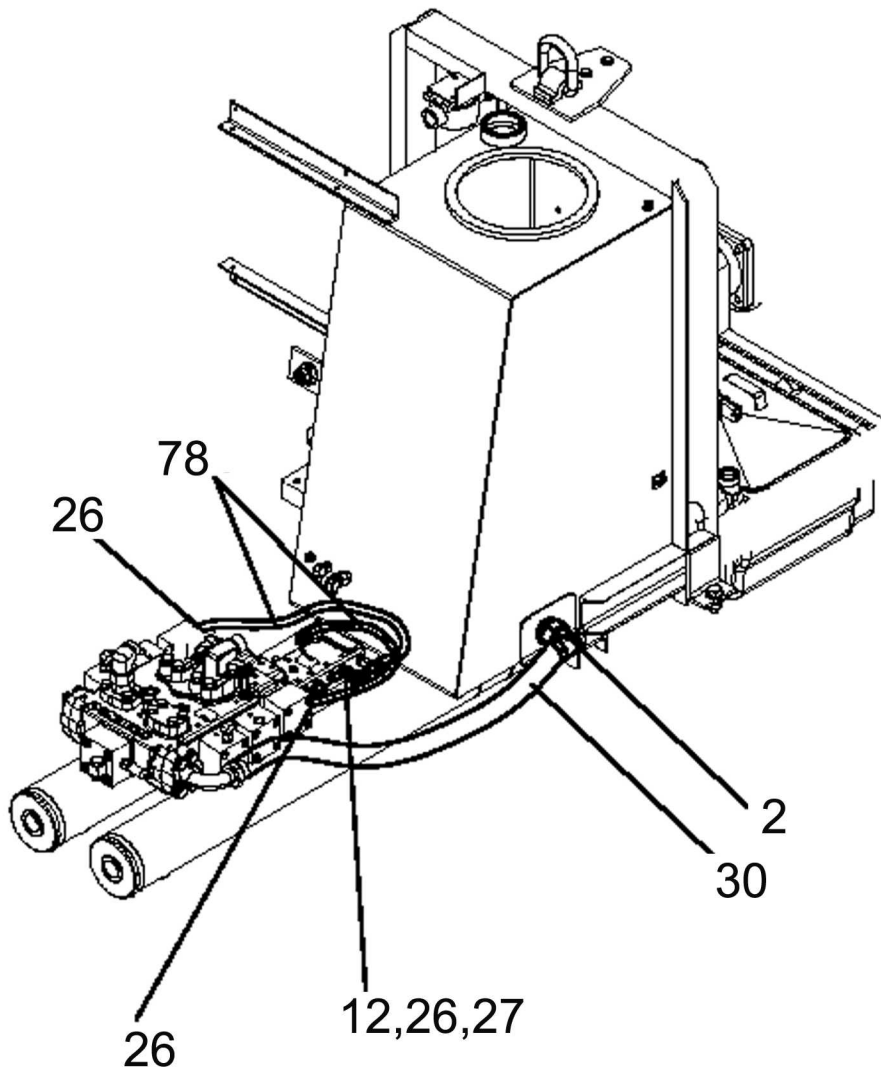
Item	Qty	Unit	ID No	Description
1	1	No.	10015287	FITTING DIN EN 10242 A1 - 3/4 - Zn - A
2	1	No.	10053210	THREADED TUBE B 26.9 X 2.6 X 110
3	1	No.	10012572	HOSE NOZZLE R 3/4"
4	1	No.	10006877	CAST HOSE CLAMP A34
5	0.5	M	10043203	HOSE DIN 19 X 6
6	1	No.	10001498	SCREW PLUG DIN 910 R 3/4" - 5.8 A3C
7	1	No.	10003981	SEALING RING DIN 7603 A 27 X 32 - Cu



Material **10162289****OUTLET SOCKET DN 180 R WITH FIXTURE**

Item	Qty	Unit	ID No	Description
1	1	No.	10162290	JOINING PIPE DN 180
2	4	Nos.	10018118	HEXAGON HEAD SCREW DIN 933 M24 X 65 - 8.8 - A3C
3	4	Nos.	10015400	LOCK WASHER S24 mat: FEDERSTAHL





Material 10180497

HYDRAULIC SYSTEM CONCRETE PUMP KIT BP 1800 D/E HDR

Item	Qty	Unit	ID No	Description
1	4	NO	10008118	FITTING BODY - GES 38 SR 11/2"
2	5	NO	10018530	FITTING - EWSD 38S
3	1	NO	10000230	HYDRAULIC HOSE 350 BAR DN 32/4 SH X 1100
4	2	NO	10049976	HYDRAULIC HOSE 380 BAR DN 25/4 SH X 750
5	4	NO	10065682	FITTING - EWSD 30S
6	2	NO	10008125	FITTING - GSS 30S
7	2	NO	10181824	HYDRAULIC HOSE 380 BAR DN 25/4 SH X1100
8	2	NO	10095380	FITTING HYDRAULIC - REDSD 38/30S
11	8	NO	10008108	FITTING BODY - GES 16SR 1/2"
12	6	NO	10019729	FITTING - REDSD 16S/12L
13	2	NO	10018483	HYDRAULIC HOSE 350 BAR DN 8/2 ST X 900
14	1	NO	10025658	HYDRAULIC HOSE 350 BAR DN 8/2 ST X 1100
18	1	NO	10050175	HYDRAULIC HOSE 350 BAR DN 8/2 ST X 1200
21	2	NO	10144775	CHECK VALVE RVL - G 1/2 RVL G 1/2 - CXFA - XCN 20
22	10	NO	10008025	FITTING - RSWS 16SR 1/2"
24	14	NO	10001732	PROFILE RING P-R- 16S
25	14	NO	10001743	CAP NUT M 16S
26	6	NO	10030252	FITTING BODY - GES 12LR 1/2"
27	7	NO	10008125	FITTING - EWSD 12L

Material 10180497

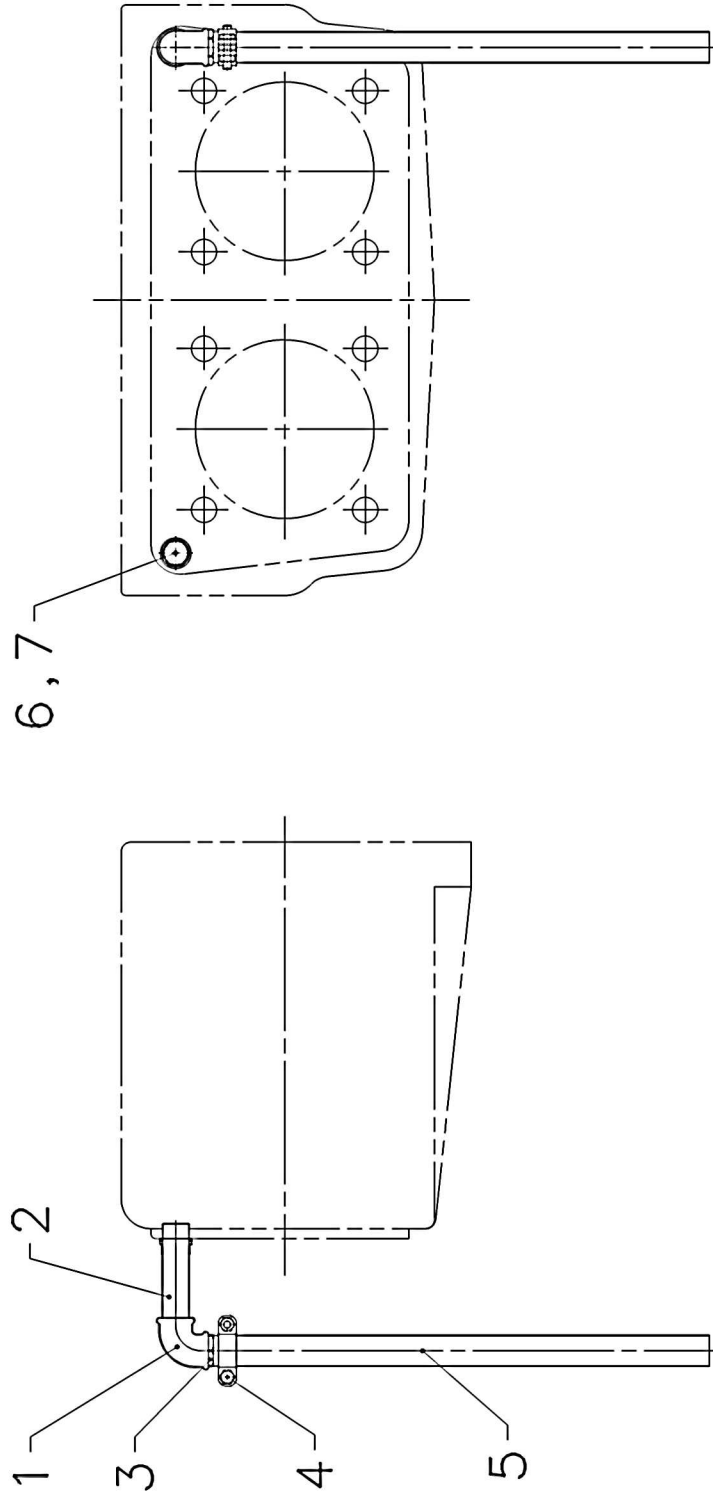
HYDRAULIC SYSTEM CONCRETE PUMP KIT BP 1800 D/E HDR

Item	Qty	Unit	ID No	Description
30	1	NO	10000217	HYDRAULIC HOSE 350 BAR DN 3/2 SH X 900
34	1	NO	10018571	FITTING - EGESD 12 LR 1/4 "
35	1	NO	10019121	FITTING - ELSD 12L
36	1	NO	10008142	FITTING -MAS 12LR
37	1	NO	10020459	MINIMESS SCREW TYPE COUPLING SKK 12-G 1/4 - PC
42	1	NO	10025656	HYDRAULIC HOSE 350 BAR DN 8/2 ST X 600
45	4	NO	10008115	FITTING BODY - GES 25 SR 1"
46	2	NO	10049958	HYDRAULIC HOSE 350 BAR DN 20/4 SP X 900
47	4	NO	10018417	FITTING - EWSD 25S
48	1	NO	10049957	HYDRAULIC HOSE 350 BAR DN 20/4 SP X 650
49	1	NO	10049960	HYDRAULIC HOSE 350 BAR DN 20/4 SP X 1100
51	2	NO	10020109	SCREW JOINT EGESD-16-SR -WD
52	9	NO	10019122	FITTING - EWSD 16S
53	1	NO	10004680	BALL COCK KHS 16
54	2	NO	10060020	HYDRAULIC HOSE 415 BAR DN 13/4 SP X 800
55	1	NO	10018480	HYDRAULIC HOSE 415 BAR DN 12/4 SP X 900
60	2	NO	10007924	CHECK VALVE S10 A2.0 R 1/2"
62	2	NO	10008121	FITTING - REDSD 25/16S
65	1	NO	10049900	HYDRAULIC HOSE 415 BAR DN 12/4 SP X 400

Material 10180497

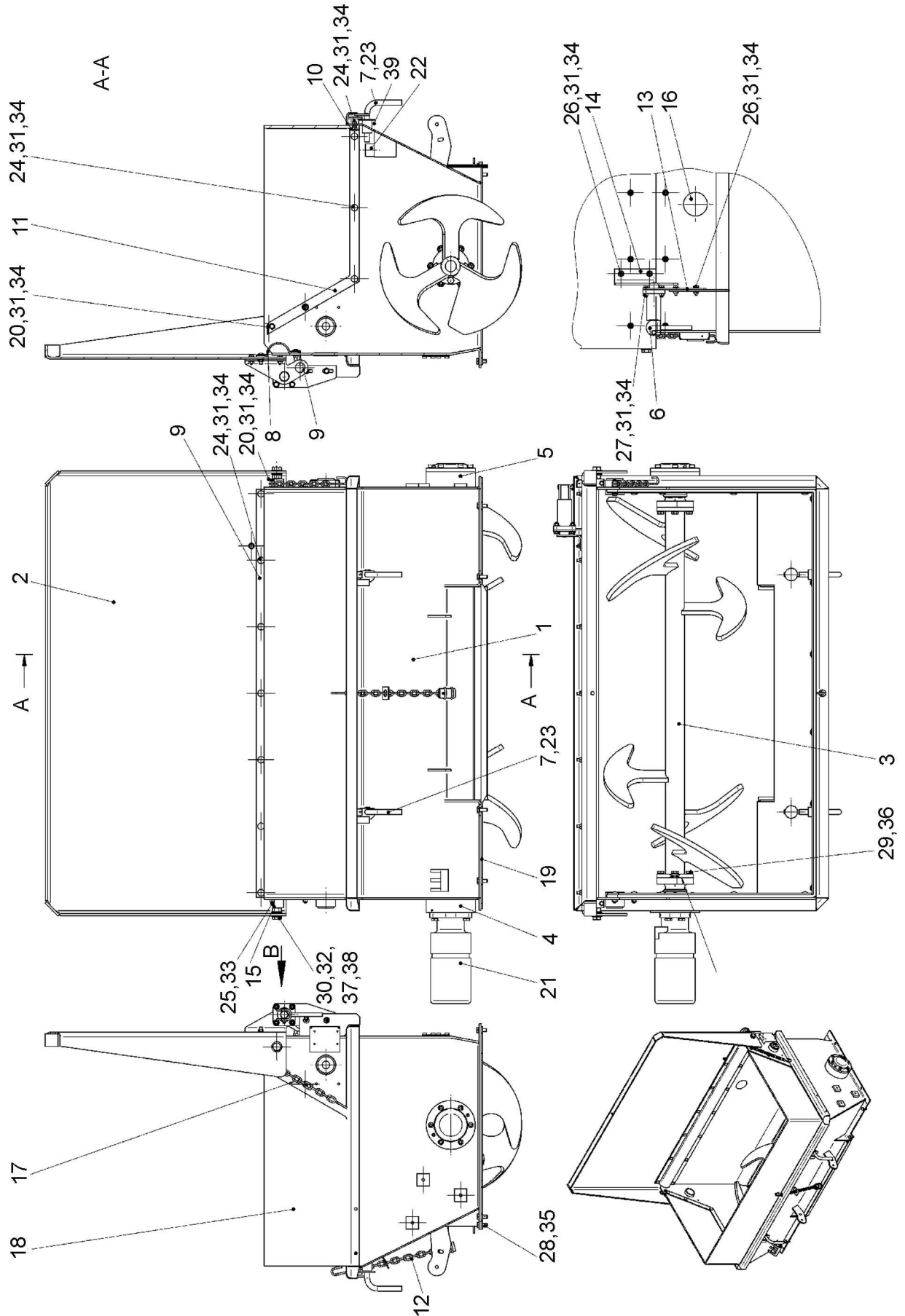
HYDRAULIC SYSTEM CONCRETE PUMP KIT BP 1800 D/E HDR

Item	Qty	Unit	ID No	Description
66	1	NO	10024672	HOSE -HYDRAULIC415 BAR DN 12/4 SP X 1100
70	1	NO	10008110	FITTING BODY - GES 20SR X 3/4"
71	2	NO	10018850	FITTING - EWSD 20S
72	1	NO	10049941	HYDRAULIC HOSE 350 BAR DN 16/4 SP x 550
73	1	NO	10019736	HYDRAULIC HOSE 350 BAR DN 16/4 SP x 700
74	2	NO	10018529	SCREW JOINT SNV 38 S
75	2	NO	10015214	FITTING - WS 38S
77	2	NO	80003356	P.S.TUBE Ø 16 X 110 X 90
78	2	NO	10050172	HYDRAULIC HOSE 350 BAR DN 8/2 ST X 800
79	2	NO	10018848	FITTING - ELSD 16S
80	4	NO	80001270	P.S.TUBE Ø16 X 200
81	1	NO	80001278	P.S.TUBE Ø16 x 560
82	1	NO	10009282	FITTING BODY - GES 12 LR 3/8"
83	1	NO	10008087	FITTING WS 16 S
84	1	NO	10180725	ROHR BOX BP 1500 PUMP KIT



Material **10185674****WATER TANK SPILLWAY**

Item	Qty	Unit	ID No	Description
1	1	No.	10015287	FITTING DIN EN 10242 A1 - 3/4 - Zn - A
2	1	No.	10053210	THREADED TUBE B 26.9 X 2.6 X 110
3	1	No.	10012572	HOSE NOZZLE R 3/4"
4	1	No.	10006877	CAST HOSE CLAMP A34
5	0.5	M	10043203	HOSE DIN 19 X 6
6	1	No.	10001498	SCREW PLUG DIN 910 R 3/4" - 5.8 A3C
7	1	No.	10003981	SEALING RING DIN 7603 A 27 X 32 - Cu



Material 10192638

HOPPER WITH AGITATOR B ROCK

Item	Qty	Unit	ID No	Description
1	1	Nos	10188288	HOPPER E ROCK, WELDMENT
2	1	Nos	10182676	COVER
3	1	Nos	10167220	AGITATOR SHAFT
4	1	Nos	10061072	AGITATOR SUPPORT (DRIVING SIDE)
5	1	Nos	10061073	AGITATOR SUPPORT (GLANGE ASSEMBLY)
6	1	Nos	10156774	LOCKING
7	1	Nos	10181797	LOCKING
8	2	Nos	10147736	SOCKET PIN
9	1	Nos	10183194	RUBBER PLATE
10	2	Nos	10183193	FASTENING STRIP
11	1	Nos	10182821	FASTENING STRIP
12	2	Nos	10199232	FASTENING STRIP
13	1	Nos	10199273	LOCK
14	1	Nos	10182101	BRACKET
15	1	Nos	10182102	EYE
16	2	Nos	10152043	PLATE A 3 x 26/ 45- 7
17	1	Nos	10151185	LOCK
18	1	Nos	10153772	CHAIN WITH HOOK
19	1	Nos	10199239	HOPPER RUBBER BORDER

Material 10192638

HOPPER WITH AGITATOR B ROCK

Item	Qty	Unit	ID No	Description
20	1	Nos	17215983	HOPPER RUBBER BORDER
21	3.7	MT	10025090	SPONGE RUBBER BAND 18 x 8
22	1	Nos	10001826	SCREW DIN 933 M 8 x 45-8.8-A2C
23	1	Nos	10052696	HYDRAULIC MOTOR
24	2	Nos	10006953	RUBBER BUFFER DN40
25	4	Nos	10067854	O-RING 16 x 2.5
26	29	Nos	10002011	SCREW DIN 603 M 8 x 30-4.6-A2C
27	4	Nos	10001762	SCREW DIN 933 M 6 x 16-8.8-A2C
28	4	Nos	10001808	SCREW DIN 933 M 8 x 25-8.8-A2C
29	4	Nos	10001812	SCREW DIN 933 M 8 x 30-8.8-A2C
30	8	Nos	10001859	SCREW DIN 933 M 10 x 25-8.8-A2C
31	8	Nos	10001517	SCREW DIN 933 M 12 x 30-8.8-A2C
32	2	Nos	10001347	SCREW DIN 933 M 16 x 50-8.8-A2C
33	39	Nos	10001248	NUT DIN 934 M 8-8-A2C
34	2	Nos	10001260	NUT DIN 934 M 16-8-A2C
35	4	Nos	10134153	SCREW RETAINER SKM 6-DT320
36	47	Nos	10129842	SCREW RETAINER SKM 8-DT320
37	8	Nos	10129841	SCREW RETAINER SKM 10-DT320
38	8	Nos	10138330	SCREW RETAINER SKZ 12-DT320

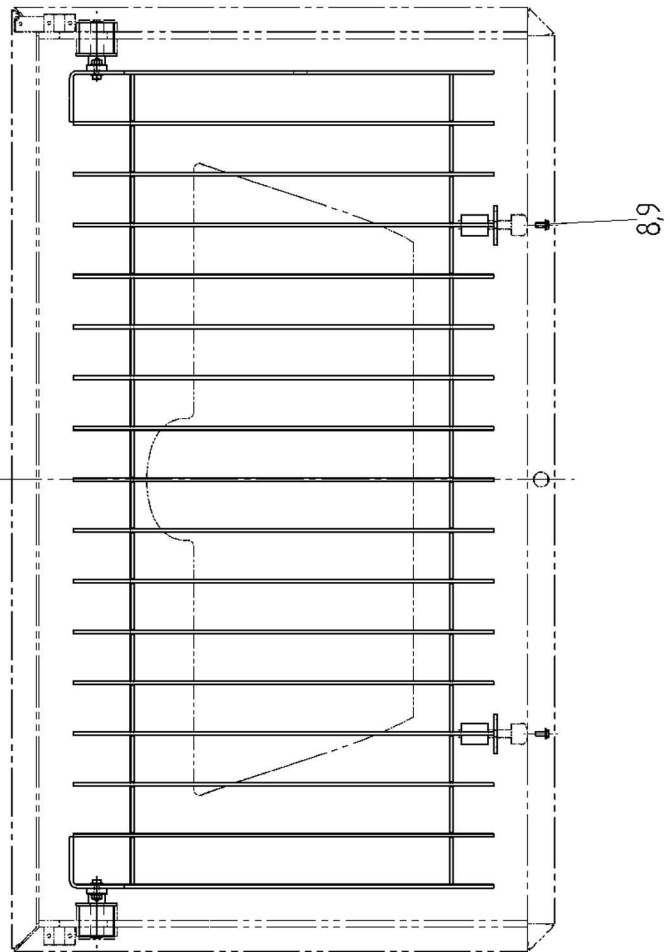
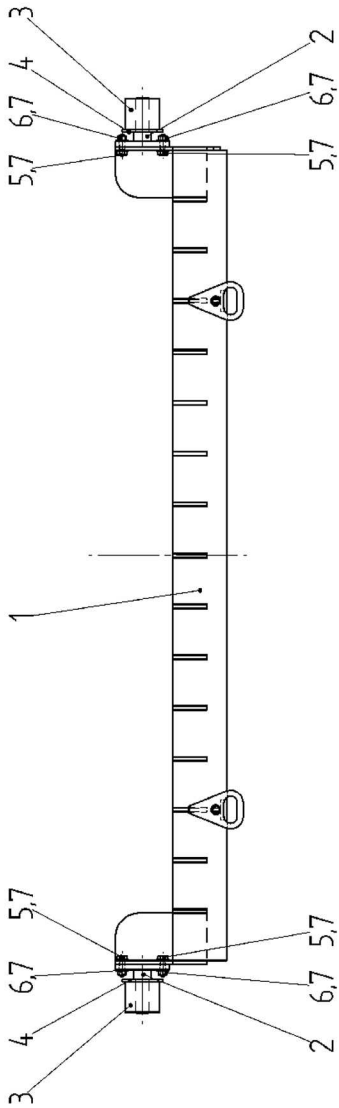
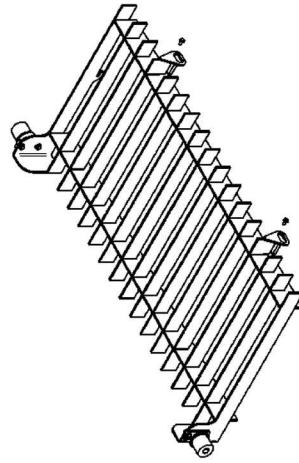
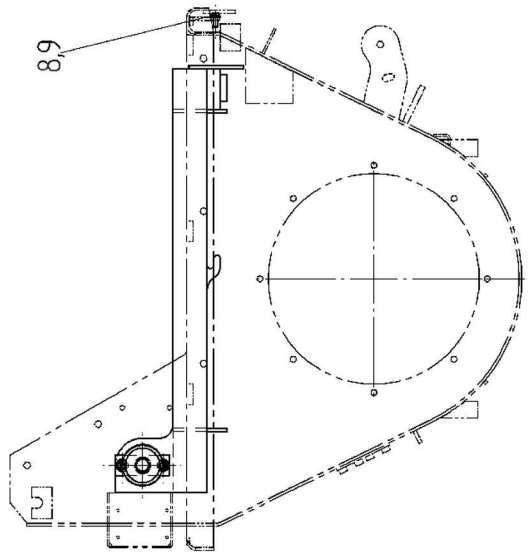
SCHWING STETTER INDIA

Spare Part List

Material 10192638

HOPPER WITH AGITATOR B ROCK

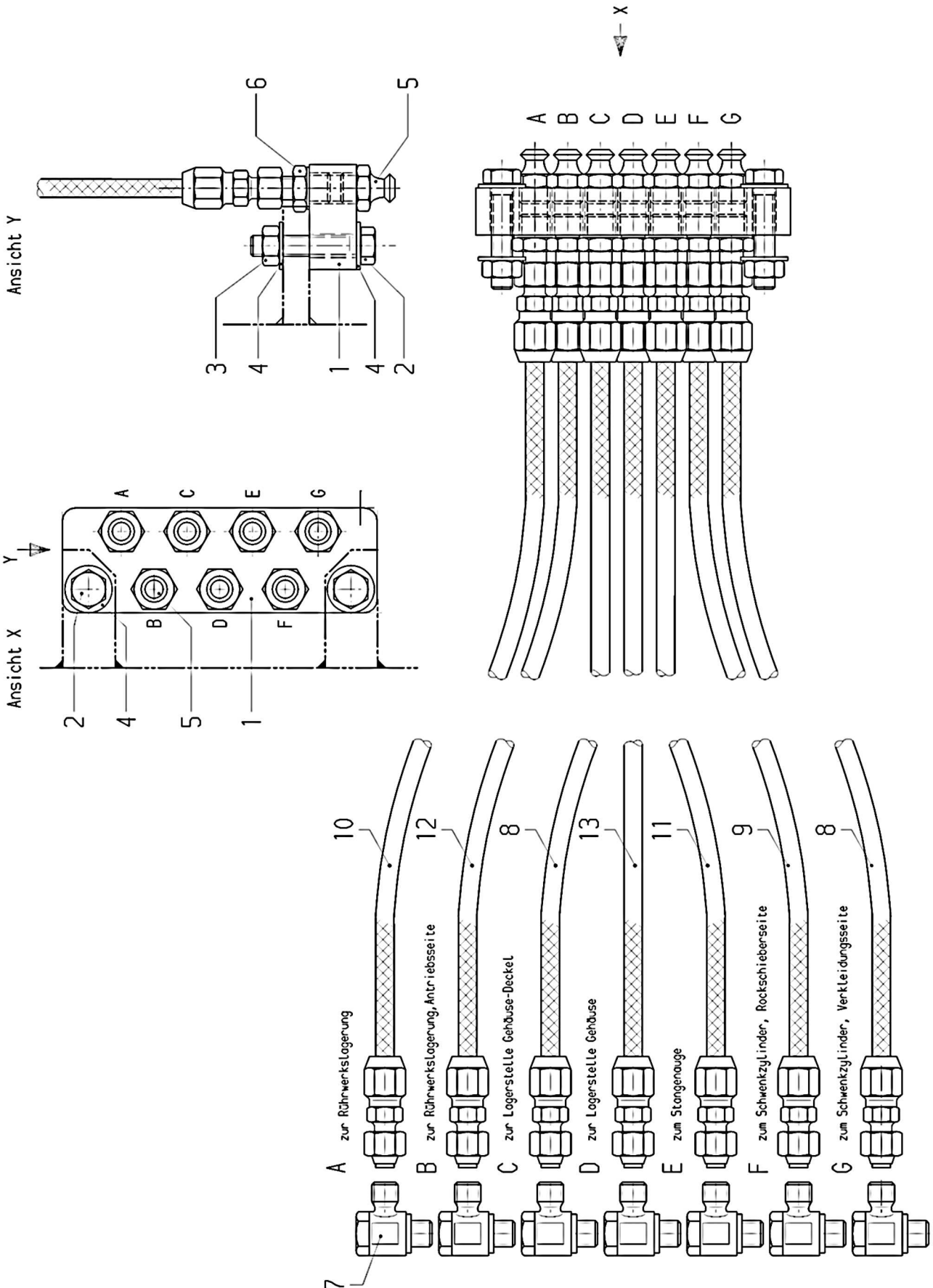
Item	Qty	Unit	ID No	Description
39	4	Nos	10133552	SCREW RETAINER SKM 16-DT320
40	2	Nos	10001901	DISC DIN 125 - B 17-St-A3C
41	2	Nos	10007885	CONE-TYPE LUBRICATING NIPPLE DIN 71412



Material **10183176**

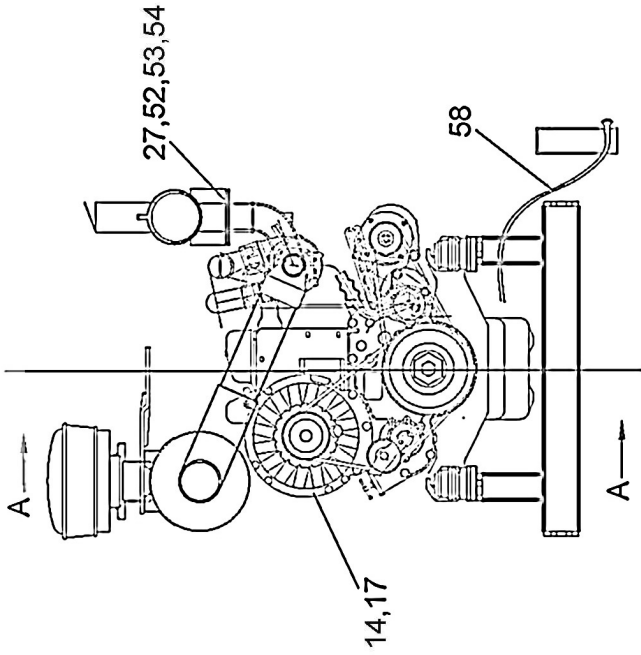
GRID IRON SUMMARY DN 70

Item	Qty	Unit	ID No	Description
1	1	Nos	10183177	GRIDIRON DN 70
2	2	Nos	10150339	SUPPORT
3	2	Nos	10060289	SLEEVE
4	2	Nos	10016320	DISC DIN 9021 - 21-100HV-A3C
5	4	Nos	10001808	SCREW DIN 933 M 8 x 25-8.8-A2C
6	4	Nos	10001248	NUT DIN 934 M 8-8-A2C
7	8	Nos	10129842	SCREW RETAINER SKM 8-DT320
8	2	Nos	10001762	SCREW DIN 933 M 6 x 16-8.8-A2C
9	2	Nos	10134153	SCREW RETAINER SKM 6-DT320

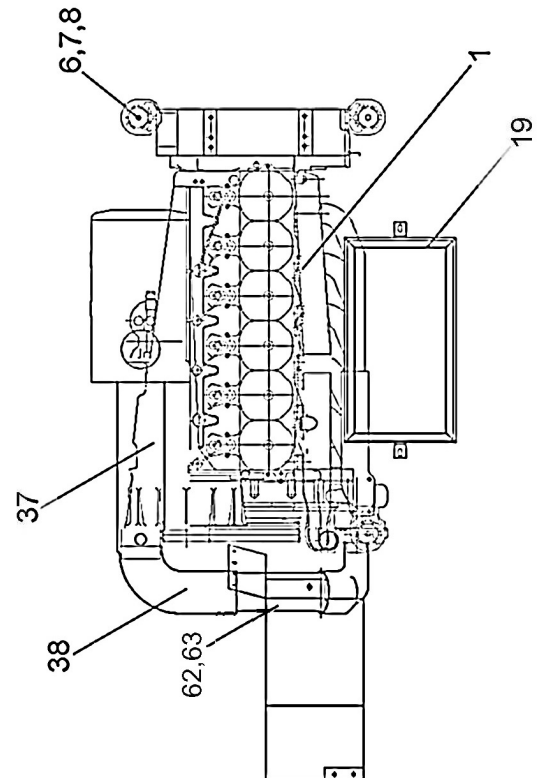
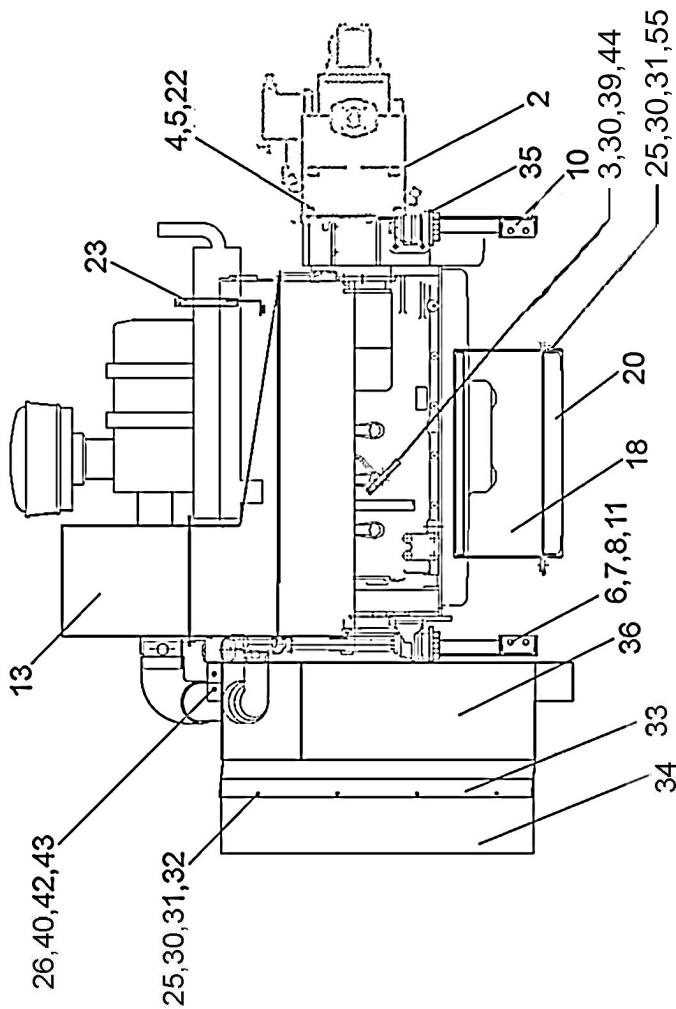
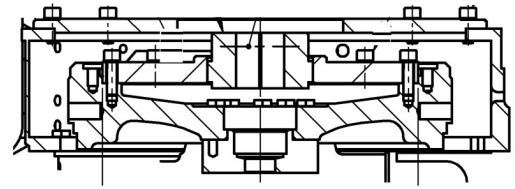


Material 10144601**CENTRAL LUBRICATION POINT BP 1500/2000 RMSS**

Item	Qty	Unit	ID No	Description
1	1	No.	10095165	PLATE mat: S355J2G3 + ZE
2	2	Nos.	10001822	HEXAGON HEAD SCREW DIN 933 M8 X 40 - 8.8 -A2C
3	2	Nos.	10001248	NUT HEX DIN 934 M8 - 8 - A2C
4	4	Nos.	10129842	SCREW RETAINER SKM 8 DT 320
5	7	Nos.	10007886	LUBRICATING NIPPLE CONE TYPE DIN 71412 AM 10X1 5.8
6	7	Nos.	10029402	FITTING GES - 6 - LLM
7	7	Nos.	10029401	FITTING RSWS - 6 - LLM
8	2	Nos.	10165787	LUBRICATING PIPING 1400 MM
9	1	No.	10165786	LUBRICATING PIPING 1200 MM
10	1	No.	10165785	LUBRICATING PIPING 1100 MM
11	1	No.	10165784	LUBRICATING PIPING 900 MM
12	1	No.	10165788	LUBRICATING PIPING 1800 MM
13	1	No.	10165783	LUBRICATING PIPING 700 MM



SECTION- A-A



Material 80001224

DRIVE UNIT WITH DIESEL ENGINE KIRLOSKAR HA 694

Item	Qty	Unit	ID No	Description
1	1	NO	80000938	DIESEL ENGINE 81KW, 2300 U/MIN HA 694TC
2	1	NO	10177242	HYDRAULIC PUMP CPL.
3	1	NO	10177534	DRIVING PARTS DIESEL DRIVE
4	4	NO	10001321	HEXAGON SOCKET HEAD CAP SCREW DIN 912 M16 X 45 8.8 - A2C
5	4	NO	10001512	DISC DIN 6916 17-C-45- DT 500
6	4	NO	10001565	HEXAGON HEAD BOLT DIN 931M12 X 160 - 10.9 - DT 500
7	12	NO	80150012	NYLOCK NUT M 12
8	24	NO	10129840	SCREW RETAINER SKM 12 DT 320
10	2	NO	10177849	MOTOR SUPPORT BRACKET
11	9	NO	10001517	HEXAGON HEAD SCREW DIN 933 M 12 X 30 - 8.8 - A2C
13	1	NO	80002211	EXTENSION DUCT
14	1	NO	80001283	RUBBER SEALING RING
17	1	NO	80001282	ASSEMBLY AIR GUIDE RING BRUSH
18	1	NO	80001371	BATTERY 180A H
19	1	NO	80001351	BATTERY - UPPER FRAME
20	1	NO	80001350	BATTERY - LOWER FRAME
22	4	NO	10010207	SPRING WASHER DIN 127 B 16 FST
23	1	NO	80002212	SILENCER CLAMP

Material 80001224

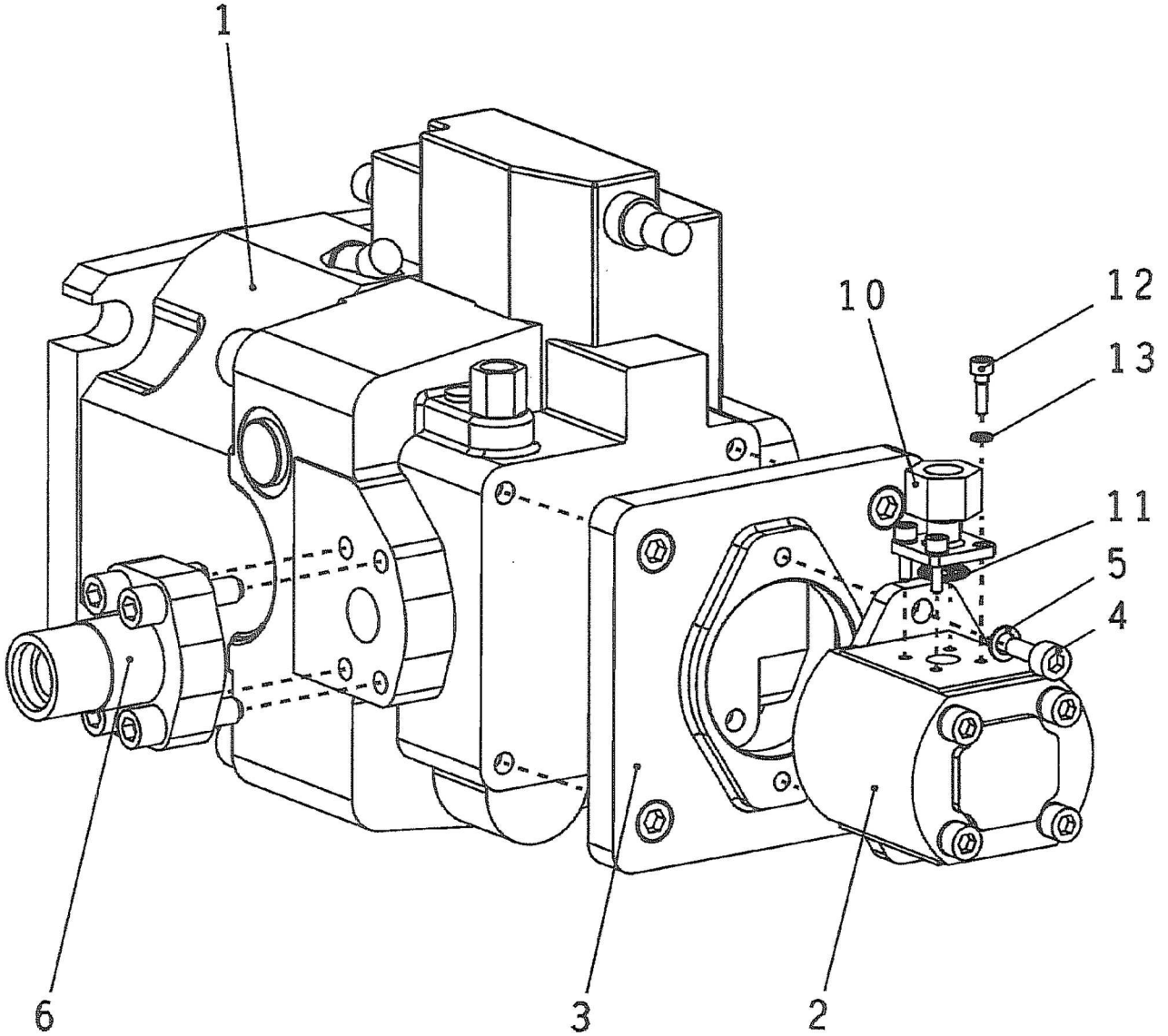
DRIVE UNIT WITH DIESEL ENGINE KIRLOSKAR HA 694

Item	Qty	Unit	ID No	Description
25	62	NO	10007116	DISC DIN 125 -B6.4 ST - A2C
26	5	NO	10010371	DISC DIN 125 B 8.4 ST - A2C
27	2	NO	10011143	DISC DIN 125 B 10.5 ST - A2C
29	28	NO	10001762	HEXAGON HEAD SCREW DIN 933 M 6 X 16 - 8.8 - A2C
30	78	NO	10134153	SCREW RETAINER SKM 6 DT 320
31	44	NO	10001244	HEXAGON NUT DIN 934 M 6 - 8- A2C
32	9	NO	10001766	HEXAGON HEAD SCREW DIN 933 M 6X25 - 8.8 - A2C
33	1	NO	10202646	PLATE Y 6X 950 / 30-7
34	1	NO	10202647	BELT CONVEYOR 300 X 950
35	4	NO	10180394	SHEET METAL
36	1	NO	80002220	AIR GUIDE PLATE
37	0.7	m	80153318	HOSE DN 100
38	1	NO	80001537	ELBOW DN 100
39	1	NO	80000519	ACCELERATOR LEVER
40	17	NO	10001515	HEXAGON HEAD SCREW DIN 933 M 8X20 - 8.8 - A2C
42	34	NO	10129842	SCREW RETAINER SKM 8 DT 320
43	15	NO	10001248	HEXAGON NUT DIN 934 M 8 - 8- A2C
44	2	NO	10001764	HEXAGON HEAD SCREW DIN 933 M 6X20 - 8.8 - A2C

Material 80001224

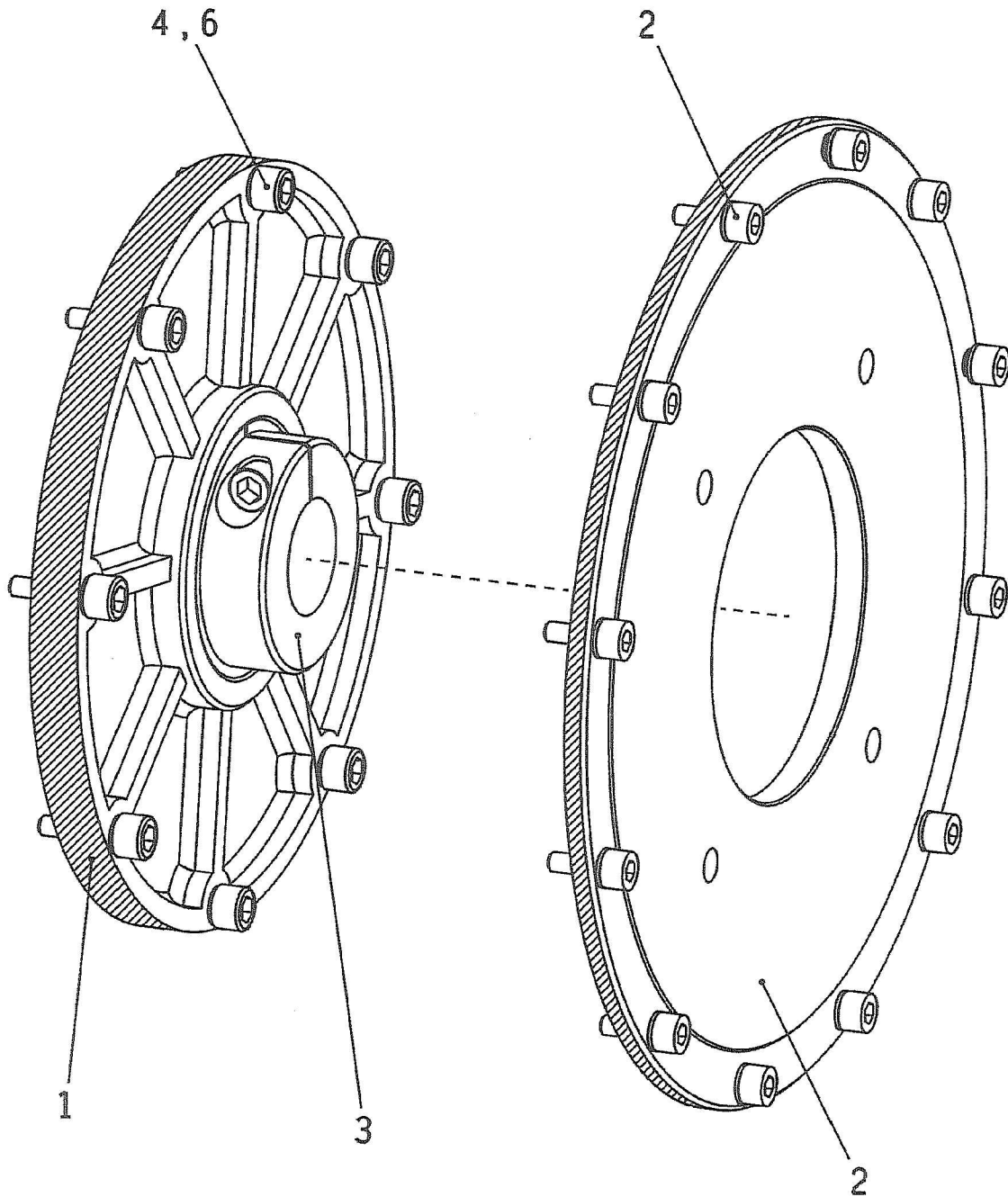
DRIVE UNIT WITH DIESEL ENGINE KIRLOSKAR HA 694

Item	Qty	Unit	ID No	Description
50	1	NO	60096787	WIRE ROPE CLAMP 6MM
52	2	NO	10001888	HEXAGON HEAD BOLT DIN 931M10 X 60 (G.I)
53	4	NO	10136867	SCREW RETAINER SKM 10 DT 320
54	2	NO	10001250	HEXAGON NUT DIN 934 M 10 - 8- A2C
55	2	NO	10018449	HEXAGON HEAD BOLT DIN 931M 8 X 60 - 10.9 - DT 500
56	1	NO	60031031	SAFETY DISC O.D 75 X I.D 17 X 10 mm THK
58	1	NO	80000988	STOP CABLE 3M
62	0.33	m	80153317	TUBE Ø 101.6 X 2 mm Thk
63	0.08	m	80153317	TUBE Ø 101.6 X 2 mm Thk



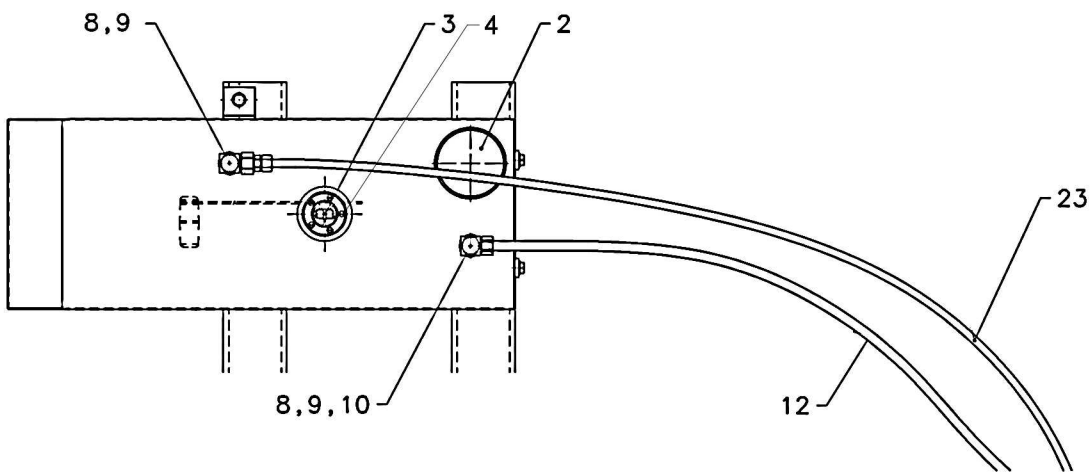
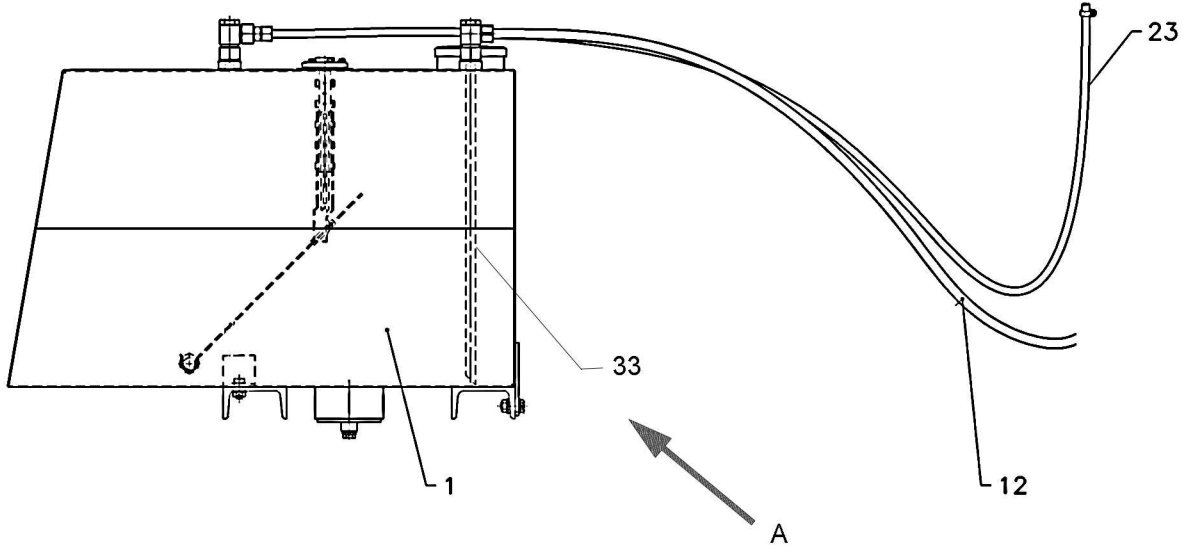
Material 10177242**HYDRAULIC PUMP CPL. A11VO 130 + KP1/16**

Item	Qty	Unit	ID No	Description
1	1	No.	10144051	HY-P A11 VO 130 LRDH1/10R PZD 12 NOO.
2	1	No.	10151015	GEAR PUMP 16 RIGHTHAND
3	1	No.	10155964	THRU DRIVE A11VO 130
4	2	Nos.	10000971	HEXAGON SOCKET HEAD CAP SCREW DIN 912 M 10 X 25 - 8.8 -A2C
5	2	Nos.	10136867	WASHER LOCK, HELICAL SPRING SKZ10 DT 320
6	1	No.	10150851	THREADED SAE FLANGE 6000 PSI BG 1" AS M42X2-M
10	1	No.	10008004	FITTING GFS 16 S-35
11	1	No.	10000229	O - RING 18 X 2.5 mat:NBR 70
12	4	Nos.	10001575	HEXAGON SOCKET HEAD CAP SCREW DIN 912 M 6 X 20 - 8.8 - A2C
13	4	Nos.	10138328	SCREW RETAINER SKZ 6 DT 320 mat: FST 420-510HV10

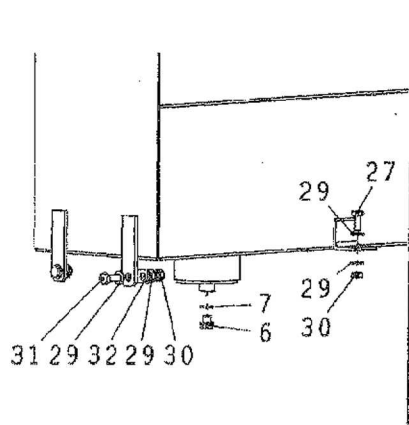


Material 10177534**DRIVING PARTS DIESEL DRIVE**

Item	Qty	Unit	ID No	Description
1	1	No.	10042541	PA FLANGE 10" BOWEX 65 FLE
2	1	No.	10144052	PUMP FLANGE SAE 4/10/12/228.6 X 4 M16 /152.4
3	1	No.	10131388	HUB BOWEX 65, L = 55, N 50 X 2 X 24 X 9H, DIN 5480
4	8	Nos.	10000980	HEXAGON SOCKET HEAD CAP SCREW DIN 912 M 10 X 35 - 8.8 - A2C
5	12	Nos.	10000971	HEXAGON SOCKET HEAD CAP SCREW DIN 912 M 10 X 25 - 8.8 - A2C
6	20	Nos.	10136867	WASHER LOCK HELICAL SPRING SKZ 10 DT 320 mat: FST 420-510 HV 10



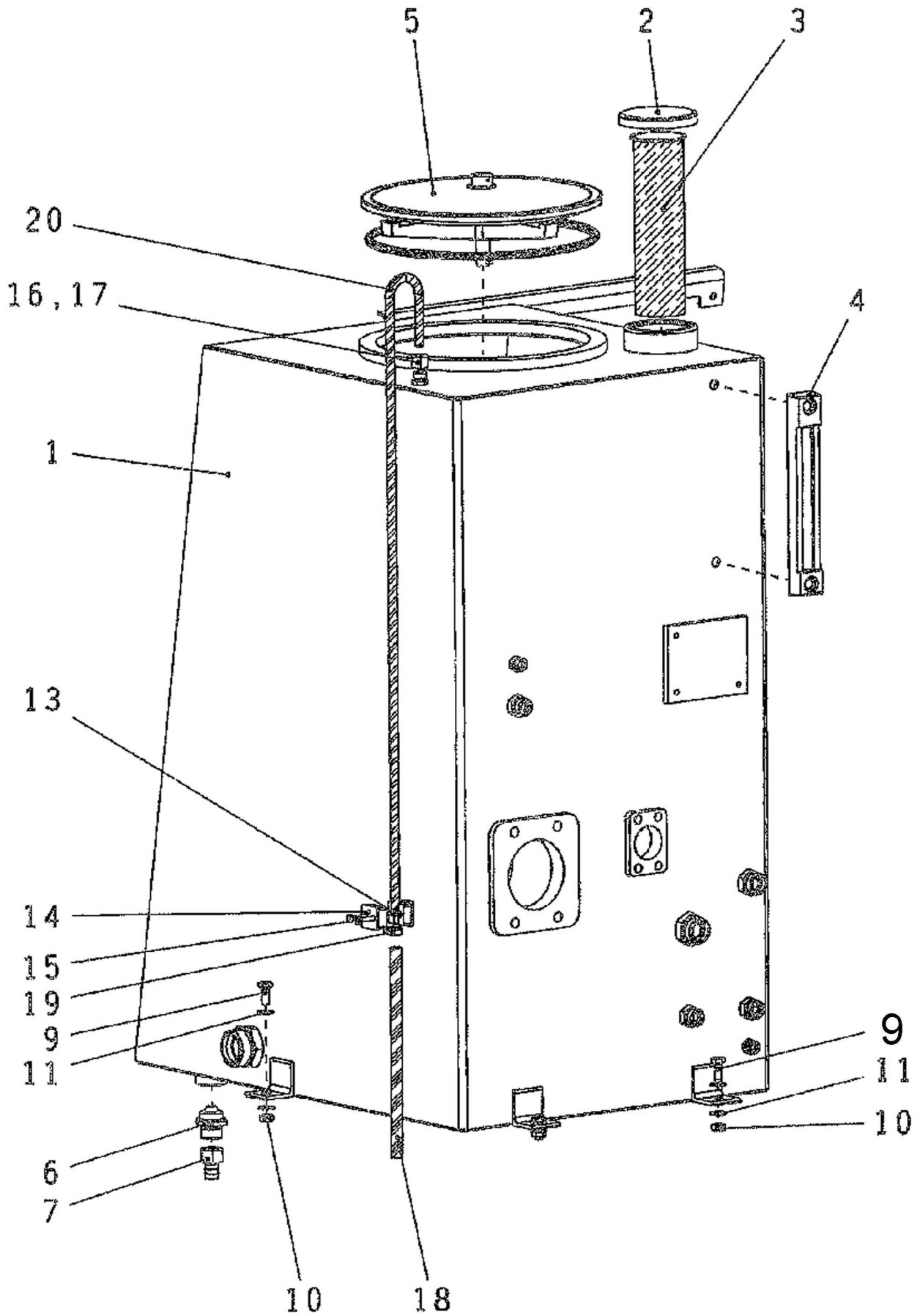
VIEW - A



Material 80001332

FUEL SYSTEM 100 LITRE

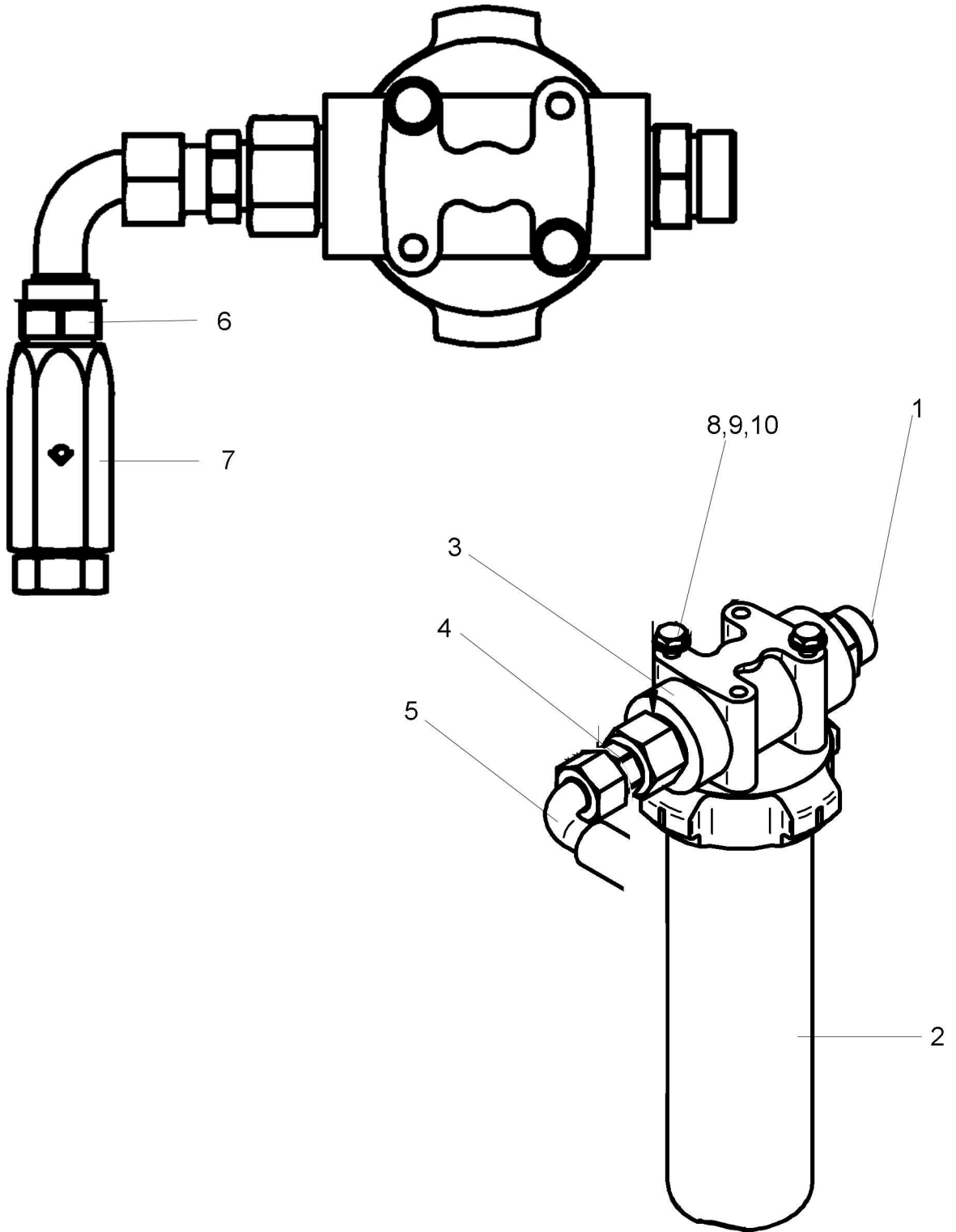
Item	Qty	Unit	ID No	Description
1	1	No.	10178323	FUEL TANK 100 L
2	1	No.	10004237	LOCKING COVER DV 80 G
3	1	No.	10124796	TRANSMITTER FOR TANK
4	5	Nos.	10007010	CYLINDER SCREW DIN 84 M 5x 10 MS
6	1	No.	10001805	SCREW PLUG DIN 910 M 16 X 1.5 - 5.8 - A2C
7	4	Nos.	10003713	SEALING RING DIN 7603 A 14 x 20 - Cu
8	2	Nos.	80000522	BANJO BOLT M14 X1.5
9	1	No.	10003967	SEALING RING DIN 7603 A 16 X 22 -Cu
10	1	No.	80000937	RED M 22 /14 M/F
12	1	No.	80000989	METAL BRAIDED HOSE 14 X14 X 3M
23	1	No.	80000936	METAL BRAIDED HOSE 14 X 8 X2.8 M
27	1	No.	10001517	HEXAGON HEAD SCREW DIN 933 M 12 X 30 - 8.8 - A2C
29	5	Nos.	10129840	SCREW RETAINER SKM 12 DT 320
30	3	Nos.	10001254	HEXAGON NUT DIN 934 M 12 - 8 - A2C
31	2	Nos.	10001513	HEXAGON HEAD SCREW DIN 933 M 12 X 25 -8.8 - A2C
32	2	Nos.	10012776	DISC DIN 125- B13 ST- A2C
33	1	No.	10181025	TUBE TO FUEL TANK WITH FITTING



Material 10178074

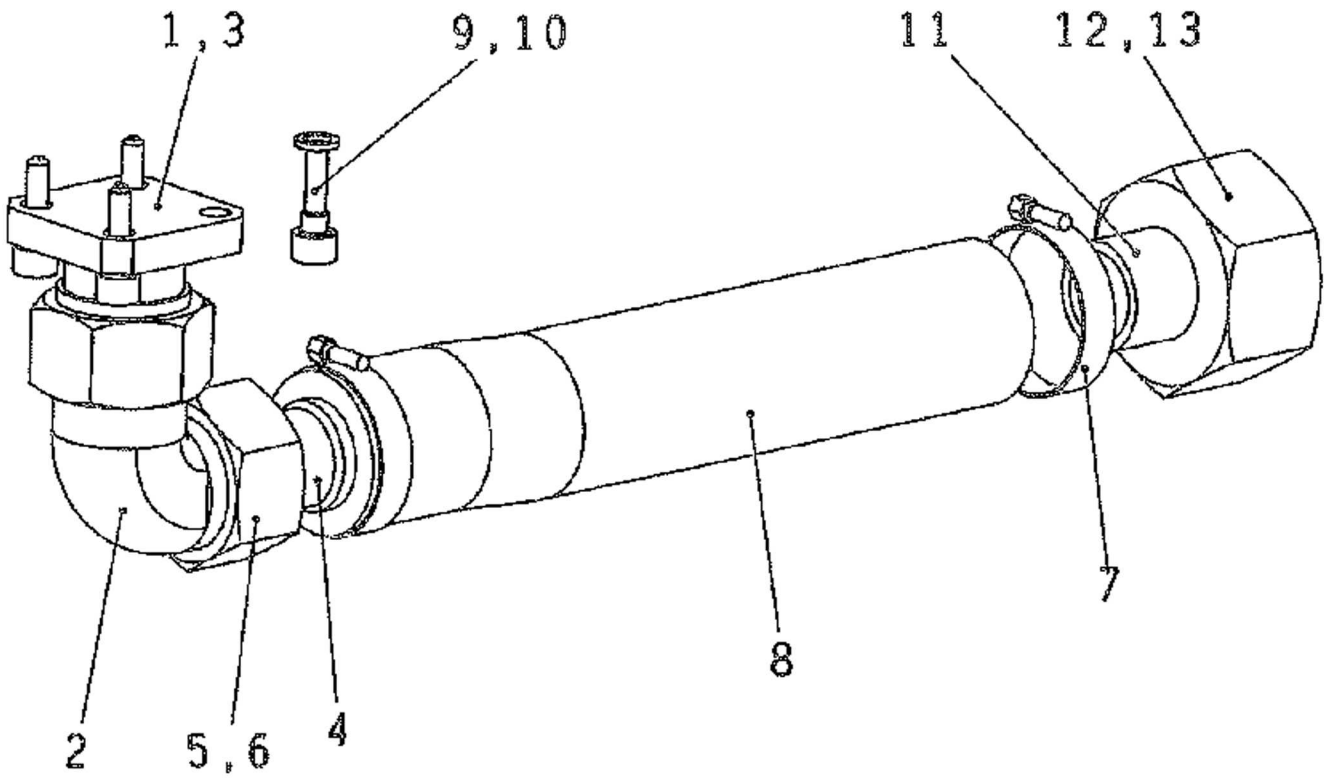
HYDRAULIC TANK CPL. 400 LITRE

Item	Qty	Unit	ID No	Description
1	1	No.	10178075	HYDRAULIC TANK 400 LITER.
2	1	No.	10004237	LOCKING COVER DV 80 G
3	1	No.	10011369	FILLING IN SIEVE 79 X 71 X 250
4	1	No.	10056060	OIL LEVEL INDICATOR WITH THERMOMETER 254/M10, 0 - 80 DEG.
5	1	No.	10004241	CLEAN OUT COVER DN 300
6	1	No.	10097999	SCREW R 1"
7	1	No.	10099485	CONNECTING PIECES
9	3	Nos.	10001859	HEXAGON HEAD SCREW DIN 933 M10 X 25 - 8 - A2C
10	3	Nos.	10001250	HEXAGON NUT DIN 934 M10 - 8 - A2C
11	6	Nos.	10129841	SCREW RETAINER SKM 10 DT 320
13	2	Nos.	10006630	CLAMP HALF SECTION DN 12 IA
14	1	No.	10002483	COVER PLATE DP IA
15	2	Nos.	10001768	HEXAGON HEAD SCREW DIN 933 M6 X 30 - 8.8 A2C
16	1	No.	10001730	PROFLIE RING PR 12 L/S
17	1	No.	10001748	CAP NUT M12 L
18	0.3	M	10029722	PLASTIC HOSE 11 X 1.5
19	1	No.	10014252	HOSE CLAMP 8-22 MO - 300
20	1	No.	10182974	VENTILATION TUBE



Material **80002768****FILTER SYSTEM CPL.**

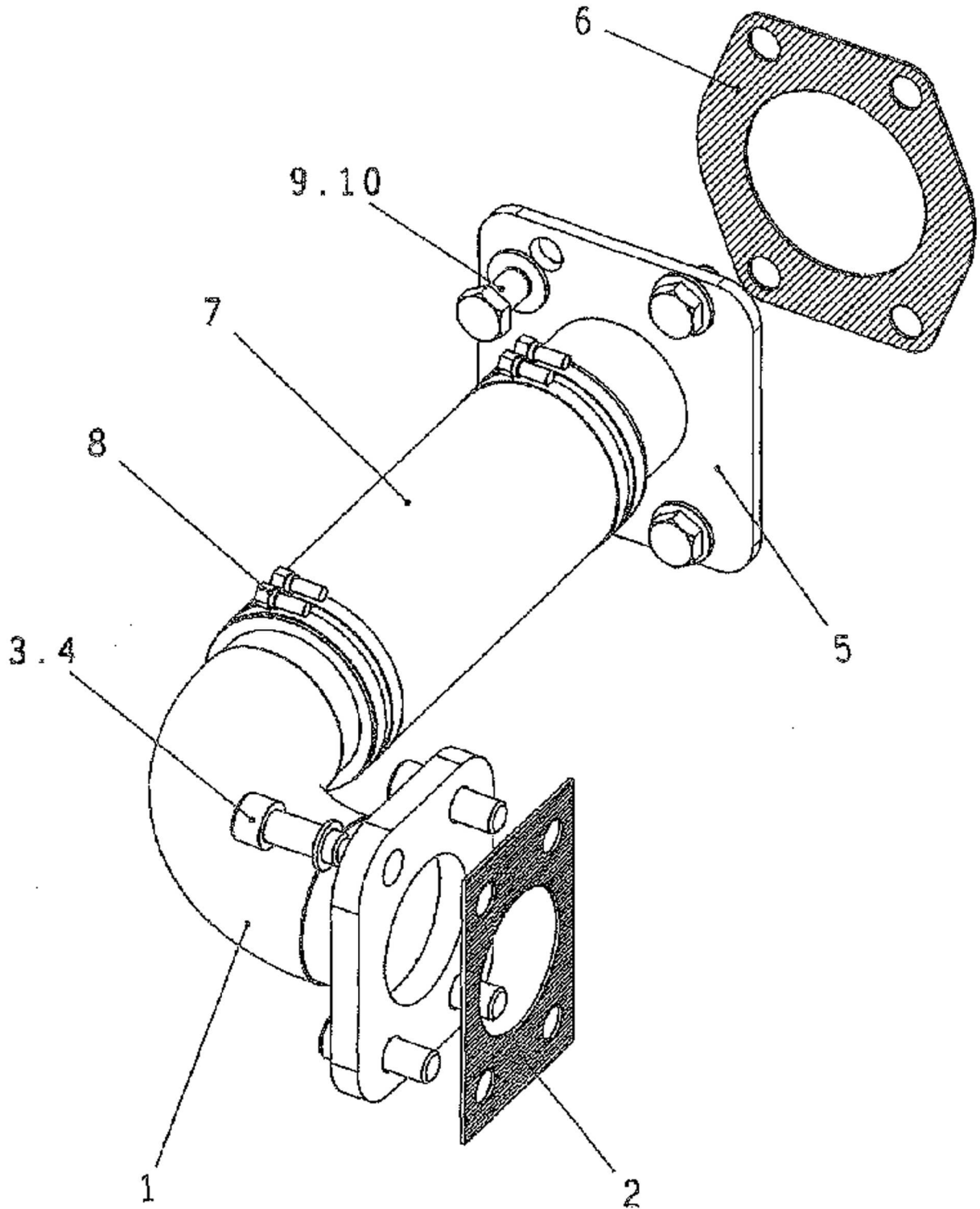
Item	Qty	Unit	ID No	Description
1	1	No.	10008115	GES 25 SR 1"
2	1	No.	10119768	FILTER HH 8600,CPL. HH 86000 C 16 KN T 90 Y 760
3	1	No.	10000328	RED 1" x 1/2"
4	1	No.	10020109	SCREW JOINT EGESD 16SR
5	1	No.	10019112	EWSD 16S
6	2	Nos.	80000589	GES 16 SR 3/4"
7	1	No.	10179287	CHECK VALVE VUC G 3/4, 10 BAR
8	2	Nos.	10001515	HEX. BOLT M8 X 20 DIN 933
9	2	Nos.	10031316	PLAIN WASHER M8
10	2	Nos.	10129842	SCREW RETAINER M8



Material 10178776

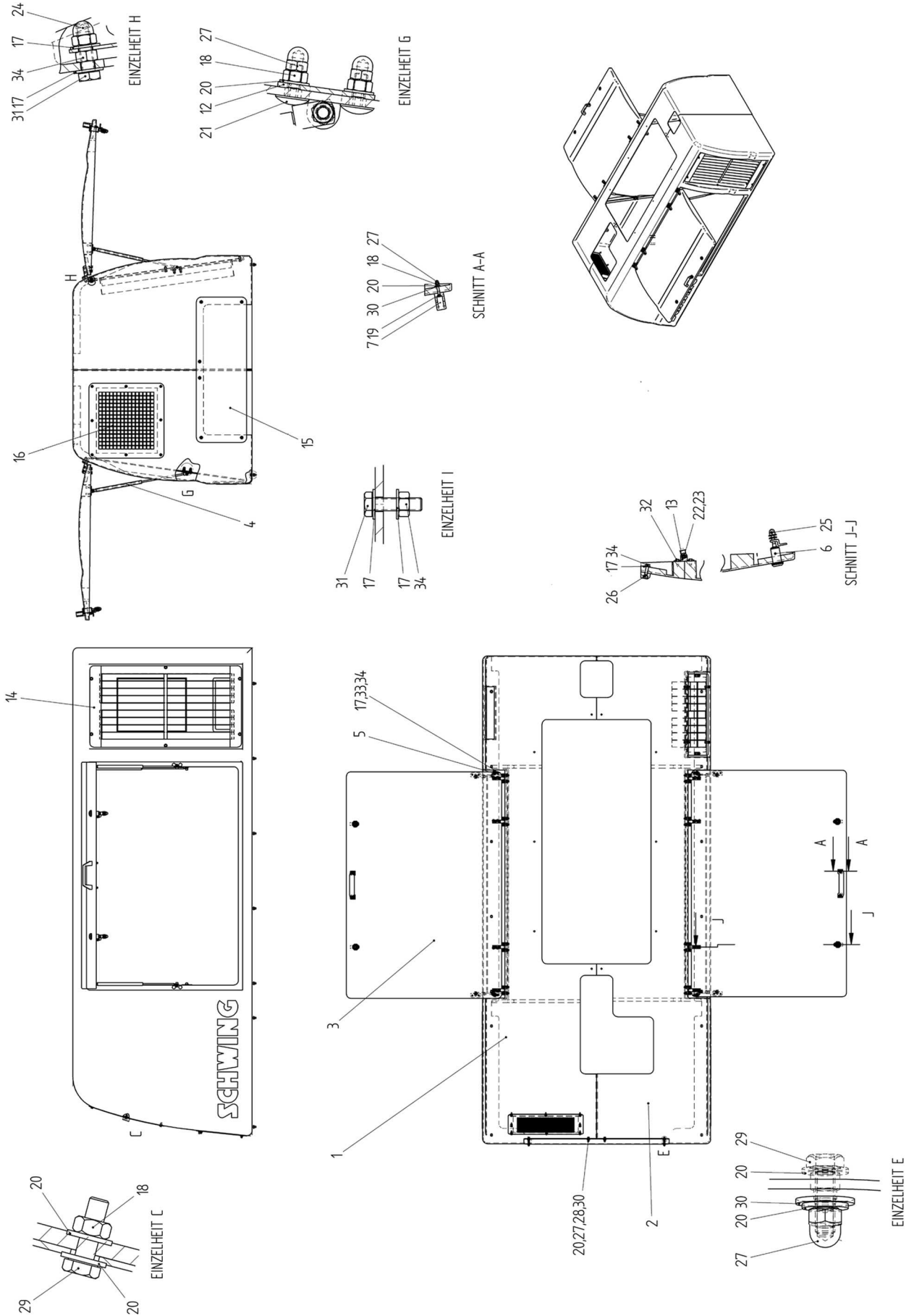
SUCTION LINE DN 25 GEAR PUMP

Item	Qty	Unit	ID No	Description
1	1	No.	10009274	FITTING GFS - 22 L - 40
2	1	No.	10008049	FITTING EWSD - 22 - L
3	1	No.	10010581	O - RING 24.5 X 2.4
4	1	No.	10033512	SOCKET DN 25
5	1	No.	10000321	CAP NUT M 22 L
6	1	No.	10000119	PROFILE RING PR 22 L
7	4	Nos.	10002644	CLAMP S 25/15 SZ
8	0.2	M	10027922	HOSE DN 25 X 6
9	4	Nos.	10001575	HEXAGON SOCKET HEAD CAP SCREW DIN 912 M6 X 20 - 8.8 - A2C
10	4	Nos.	10138328	SCREW RETAINER SKZ 6 DT 320
11	1	No.	10029690	TUBE 25 X 2.5 X 40 DIN 2391-C
12	1	No.	10001738	CAP NUT M 25 S
13	1	No.	10001734	PROFILE RING PR 25 S



Material **10178777****SUCTION LINE DN 80 A11VO 130**

Item	Qty	Unit	ID No	Description
1	1	No.	10178778	SUCTION SOCKET A11VO 130
2	1	No.	10145661	SEAL
3	4	Nos.	10001315	HEXAGON SOCKET HEAD CAP SCREW DIN 912 M 16 X 40 - 8.8 - A2C
4	4	Nos.	10139855	SCREW RETAINER SKZ 16 DT 320 mat: FST 420 - 510 HV 10
5	1	No.	10178799	SUCTION SOCKET (HYDRAULIC TANK)
6	1	No.	10200273	SAE SEAL 300PSI 4" mat: FA-A13-O
7	0.15	M	10036482	HOSE DN 80 X 7 WITH FABRIC PLY
8	4	Nos.	10015445	HOSE CLAMP 54 - 100
9	4	Nos.	10001591	HEXAGON HEAD SCREW DIN 933 M16 X 25 - 8.8 - A2C
10	4	Nos.	10133552	SCREW RETAINER SKM 16 DT 320



Material 80002370

PANELLING BP 1800 BRO2 KIRLOSKAR HA 694

Item	Qty	Unit	ID No	Description
1	1	NO	80002366	PANELLING, RIGHT HAND
2	1	NO	80002367	PANELLING, LEFT HAND
3	2	NO	10177441	DOOR
4	4	NO	10195675	PNEUMATIC SPRING STROKE = 250MM SPRING RESISTANCE 60 daN
5	8	NO	10104456	SCREW ON HINGE
6	4	NO	10104455	LOCK WITH 7MM KEY, 13.7MM
7	2	NO	10114732	HANDLE
12	4	NO	10203867	BRACKET
13	4	NO	10203866	BRACKET
14	1	NO	10179971	GRIDIRON
15	1	NO	10183966	PLATE
16	1	NO	10183965	COVER
17	88	NO	10129842	SCREW RETAINER SKM 8 DT 320
18	12	NO	10001244	HEXAGON NUT DIN 934 M 6 - 8- A2C
19	4	NO	10001771	HEXAGON HEAD SCREW DIN 933 M 6x 35 -8.8 - A2C
20	24	NO	10134153	SCREW RETAINER SKM 6 DT 320
21	8	NO	10187966	SCREW DIN 603 M 8x 20 - 4.6 - A2C
22	8	NO	10009875	NUT DIN 985 M 8 -8- A2C

Material 80002370

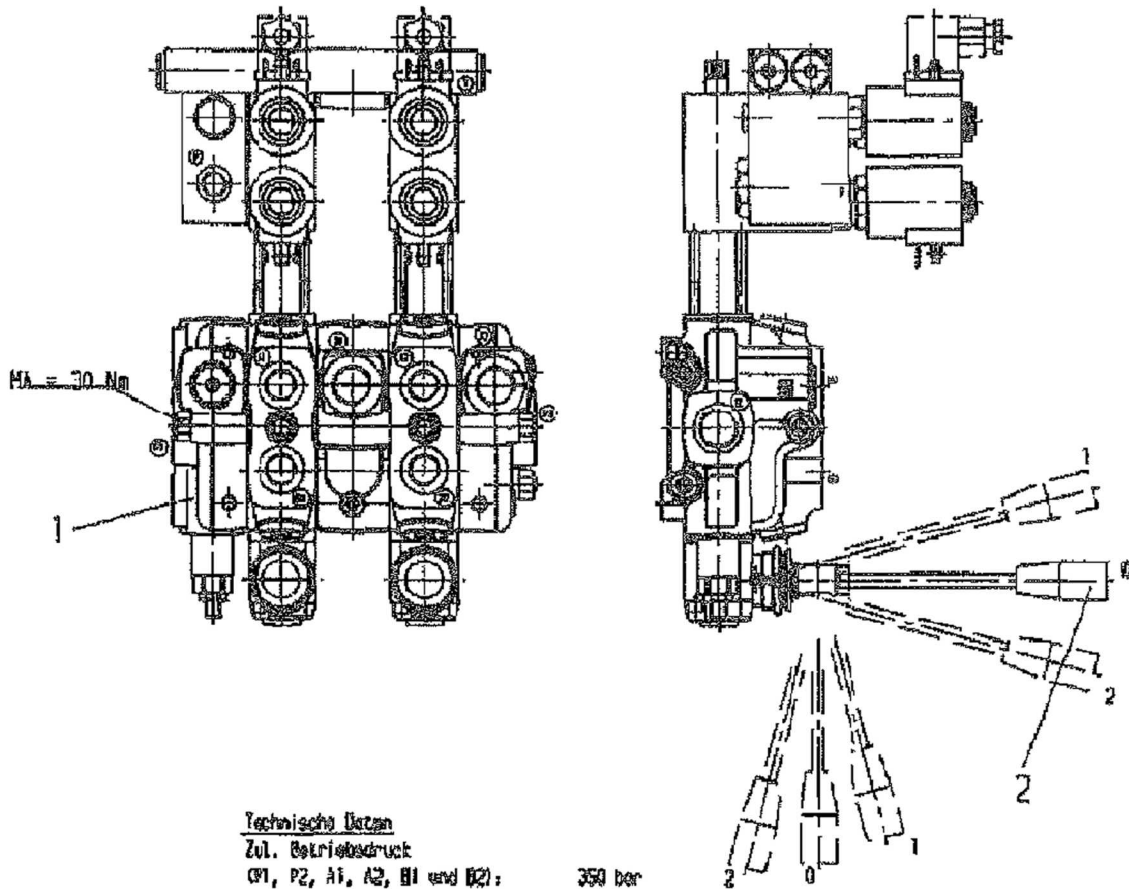
PANELLING BP 1800 BRO2 KIRLOSKAR HA 694

Item	Qty	Unit	ID No	Description
23	8	NO	10001000	HEXAGON SOCKET HEAD CAP SCREW DIN 912 M 8x 20 -8.8 - A2C
24	6	NO	10001258	CAP NUT DIN 1587 M8 - 6-A2C
25	4	NO	10001267	CAP NUT DIN 1587 M10 -6-A2C
26	16	NO	10001015	HEXAGON SOCKET HEAD CAP SCREW DIN 912 M 8x 35 -8.8 - A2C
27	18	NO	10001249	CAP NUT DIN 1587 M6 - 6-A2C
28	2	NO	10001766	HEXAGON HEAD SCREW DIN 933 M 6x 25 -8.8 - A2C
29	6	NO	10001764	HEXAGON HEAD SCREW DIN 933 M 6x 20 -8.8 - A2C
30	10	NO	10001371	DISC DIN 9021 6,4 - 140 HV -A2C
31	20	NO	10001812	HEXAGON HEAD SCREW DIN 912 M 8x 30 -8.8 - A2C
32	8	NO	10013150	SHEET METAL SCREW DIN 7971 ST 5.5 x 19 -C
33	16	NO	10001010	HEXAGON SOCKET HEAD CAP SCREW DIN 912 M 8x 30 -8.8 - A2C
34	60	NO	10001248	NUT HEX .DIN 934 M 8 -8- A2C
35	8	NO	10001515	HEXAGON HEAD SCREW DIN 933 M 8x 20 -8.8 - A2C

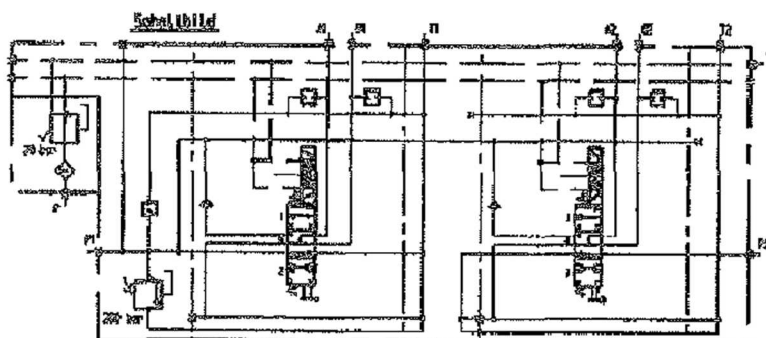
Material 10182209

OPERATING AND CONTROL DEVICE BP 1500D - DRIVE

Item	Qty	Unit	ID No	Description
1	1	No.	10178916	CONTROL BLOCK NG 08 DOUBLE, CPL SD 6/2 AC(JG3-200)-12 VDC, EH
2	1	No.	10165920	PRESSURE REDUCING VALVE DML DML - PRDB - G 1/2
3	1	No.	10004685	SHUTT OFF VALVE 9 MV 400 S
4	1	No.	10012125	SCREW JOINT SET MVK 400 FOR 9 MV 400S
5	1	No.	10004662	PRESSURE GAUGE 63 0-400 BAR
6	1	No.	10004663	PRESSURE GAUGE 0 - 250 BAR
7	4	Nos.	10001515	HEXAGON HEAD SCREW DIN 933 M8 X 20 - 8.8 A2C
8	4	Nos.	10129842	SCREW RETAINER SKM 8 DT 320
9	2	Nos.	10001242	HEXAGON HEAD BOLT DIN 931 M6 X 45 - 8.8 - A2C
10	6	Nos.	10001244	HEXAGON NUT DIN 934 M6 - 8 - A2C
11	2	Nos.	10134153	SCREW RETAINER SKM 6 DT 320
12	1	No.	10002380	TELEFLEX SYSTEMS 3700MM
13	4	Nos.	10001779	HEXAGON HEAD SCREW DIN 933 M6 X 40 - 8.8 - A2C

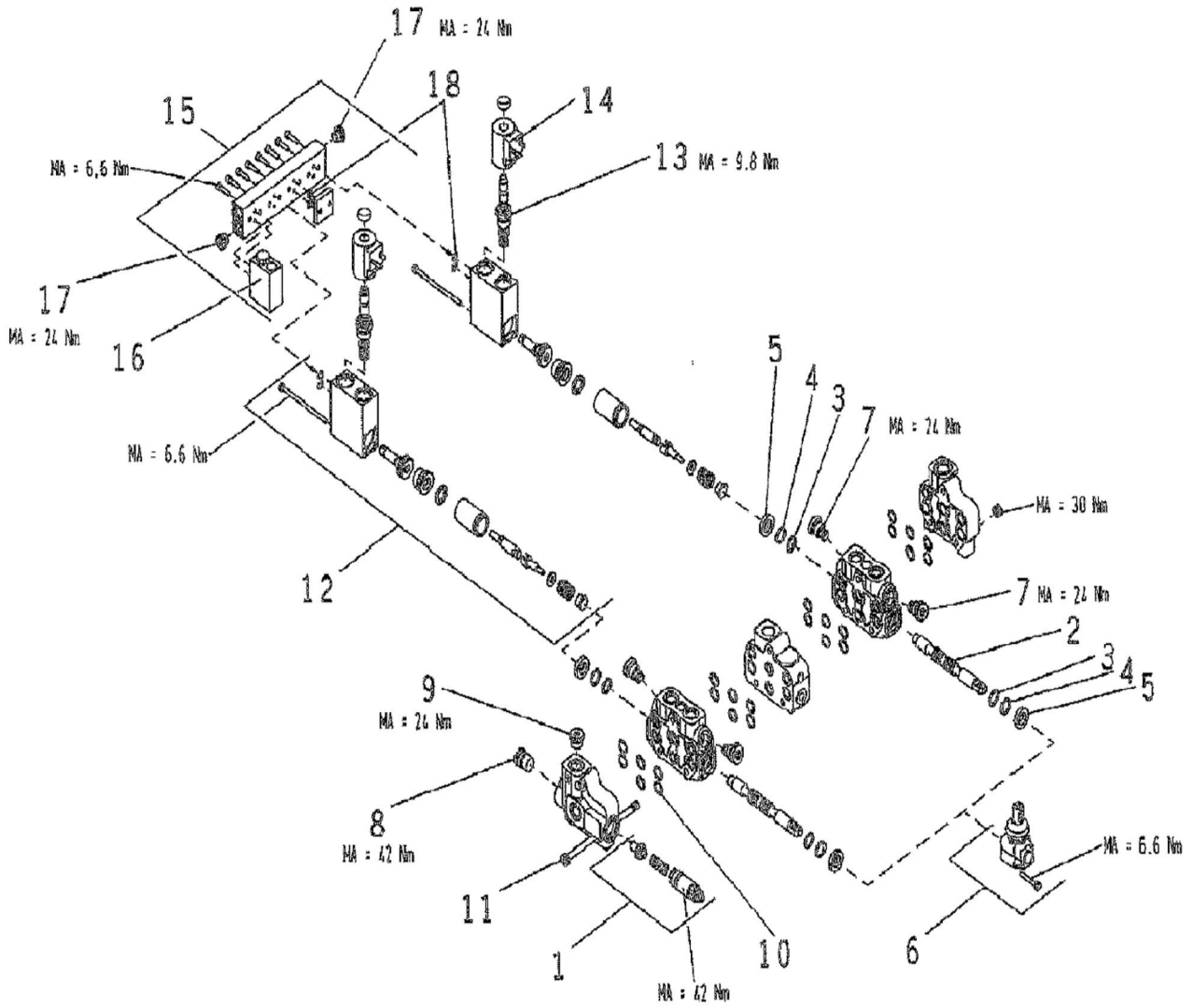
Technische Daten

Zul. Betriebsdruck (P1, P2, A1, A2, B1 und B2):	350 bar
Steuerdruck (P):	min. 10 bar, max. 350 bar
Max. Tankdruck (T):	25 bar
Max. Tankdruck (T):	5 bar
Zul. Volumenstrom:	P1 = 45 l/min, P2 = 15 l/min
Leckage bei 100 bar und 33 cm ³ /s	1 cm ³ /min
Druckflüssigkeit:	Mineralöl HLP nach DIN 51524 und DIN 51525
Viskositätsbereich (kinematisch):	12 - 400 cm ² /s
Umgebungstemperaturbereich:	-40 bis +60 °C
Druckflüssigkeitstemperaturbereich:	-20 bis +60 °C
Zul. Filtrierung:	25/10 (ISO/D15 4/05)
Gewindeanschlüsse:	P1, P2, T1 und T2 = G 1/2 A1, A2, B1 und B2 = G 3/8 R und Y = G 1/4
Nennspannung:	12 V DC ±10%
Elektr. Leistungsaufnahme:	21 Watt
Magnetanschluss:	Stecker nach ISO 4403 (DIN 43650) (Gegenstecker geführt nicht zum Lieferumfang)



Material **10178916****CONTROL BLOCK NG 08 DOUBLE, CPL SD 6/2-AC(JG3-200)-12VDC, EH**

Item	Qty	Unit	ID No	Description
1	1	No.	10178994	CONTROL BLOCK NG 08 DOUBLE, SD 6/2-AC (JG3-200)-12VDC, EH
2	2	Nos.	10159895	LEVER M8 X 150



Material 10178994**CONTROL BLOCK NG 08 DOUBLE, SD 6/2-AC(JG3-200)-12VDC, EH**

Item	Qty	Unit	ID No	Description
1	1	No.	10180936	VALVE CARTRIDGE DBV (JG3) PRESSURE RELIEF VALVE
2	2	Nos.	10185453	PISTON NG 08
3	4	Nos.	10179553	O - RING 15.88 X 2.62 mat: NBR 70
4	4	Nos.	10180928	SUPPORT RING (CLOSED) 16.26 X 2.18 mat:NBR 90
5	4	Nos.	10185468	RING D 28 X 16 / 6
6	2	Nos.	10182300	SUPPORT SD 5 , CPL.
7	4	Nos.	10185457	BLANK CARTRIDGE
8	1	No.	10182256	BLANK CARTRIDGE
9	1	No.	10068021	SCREW PLUG VS-R 3/8" WD
10	24	Nos.	10072341	O - RING 14 X 1.78 mat: NBR 70
11	3	Nos.	10185466	DRAW ANCHOR
12	2	Nos.	10185458	PILOT CONTROL UNIT
13	4	Nos.	10180934	VALVE CARTRIDGE 3/2 WAY
14	4	Nos.	10180933	MAGNET COIL 12V DC
15	1	No.	10185465	BLOCK
16	1	No.	10180930	PRESSURE REDUCING VALVE 2SIO 20 BAR
17	2	Nos.	10006658	SCREW PLUG VS R 1/4 WD
18	6	Nos.	10006950	O - RING 8.74 X 1.78 mat: NBR 70

SCHWING STETTER INDIA

Spare Part List

Material **10180936**

VALVE CARTRIDGE DBV (JG3) PRESSURE RELIEF VALVE

Item	Qty	Unit	ID No	Description
1	1	No.	10067860	O - RING 17.86 X 2.62 mat:NBR 90

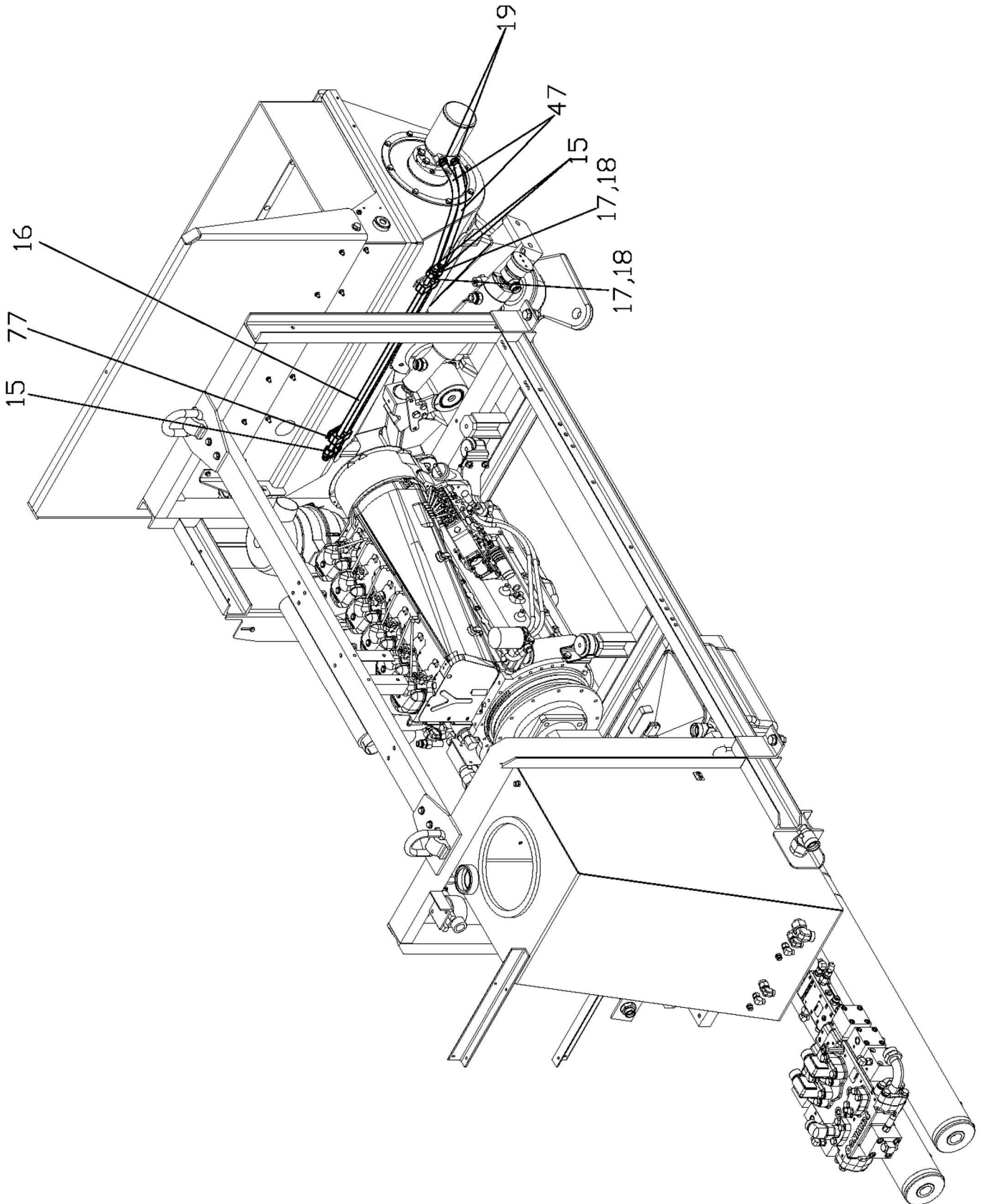
SCHWING STETTER INDIA

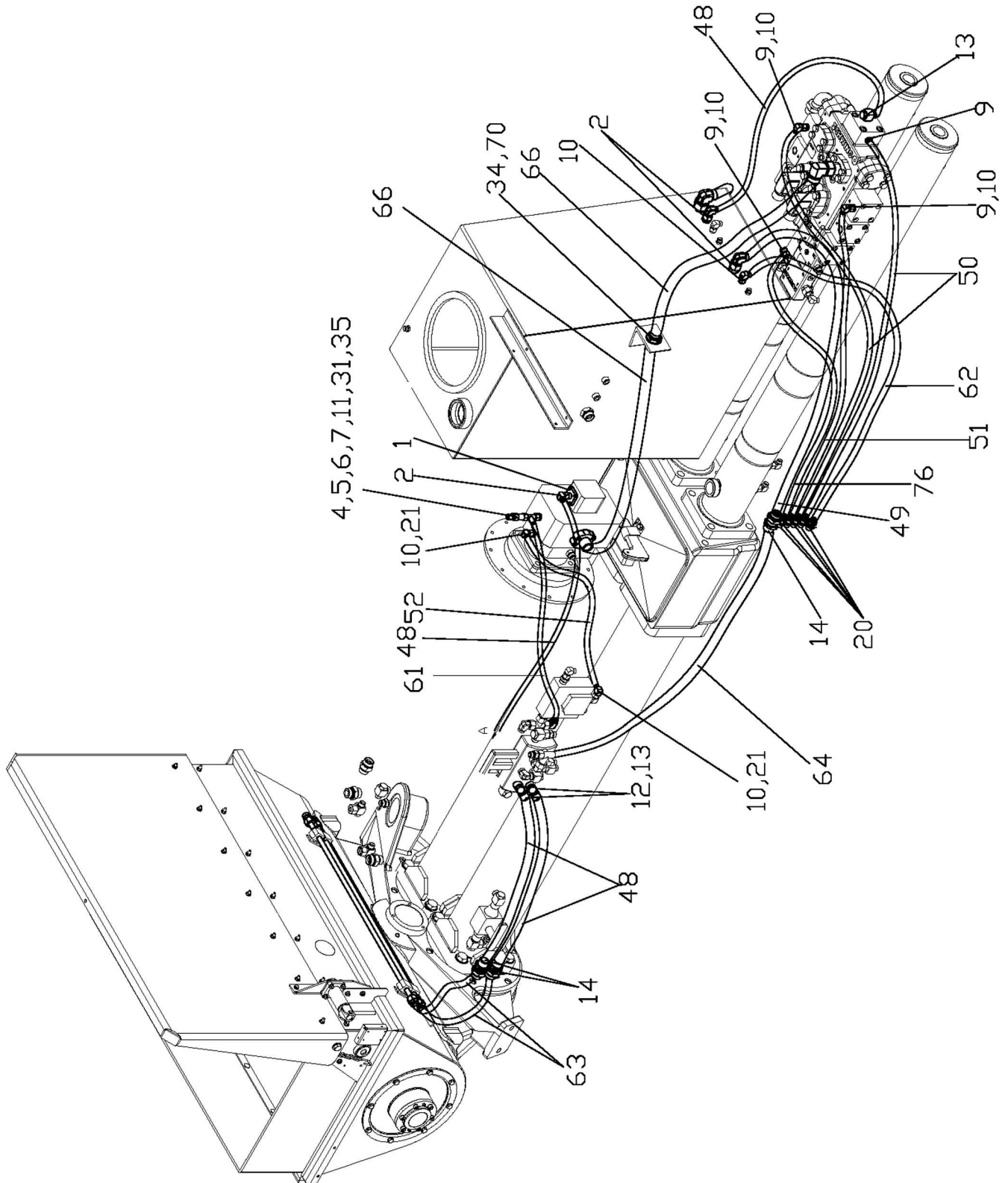
Spare Part List

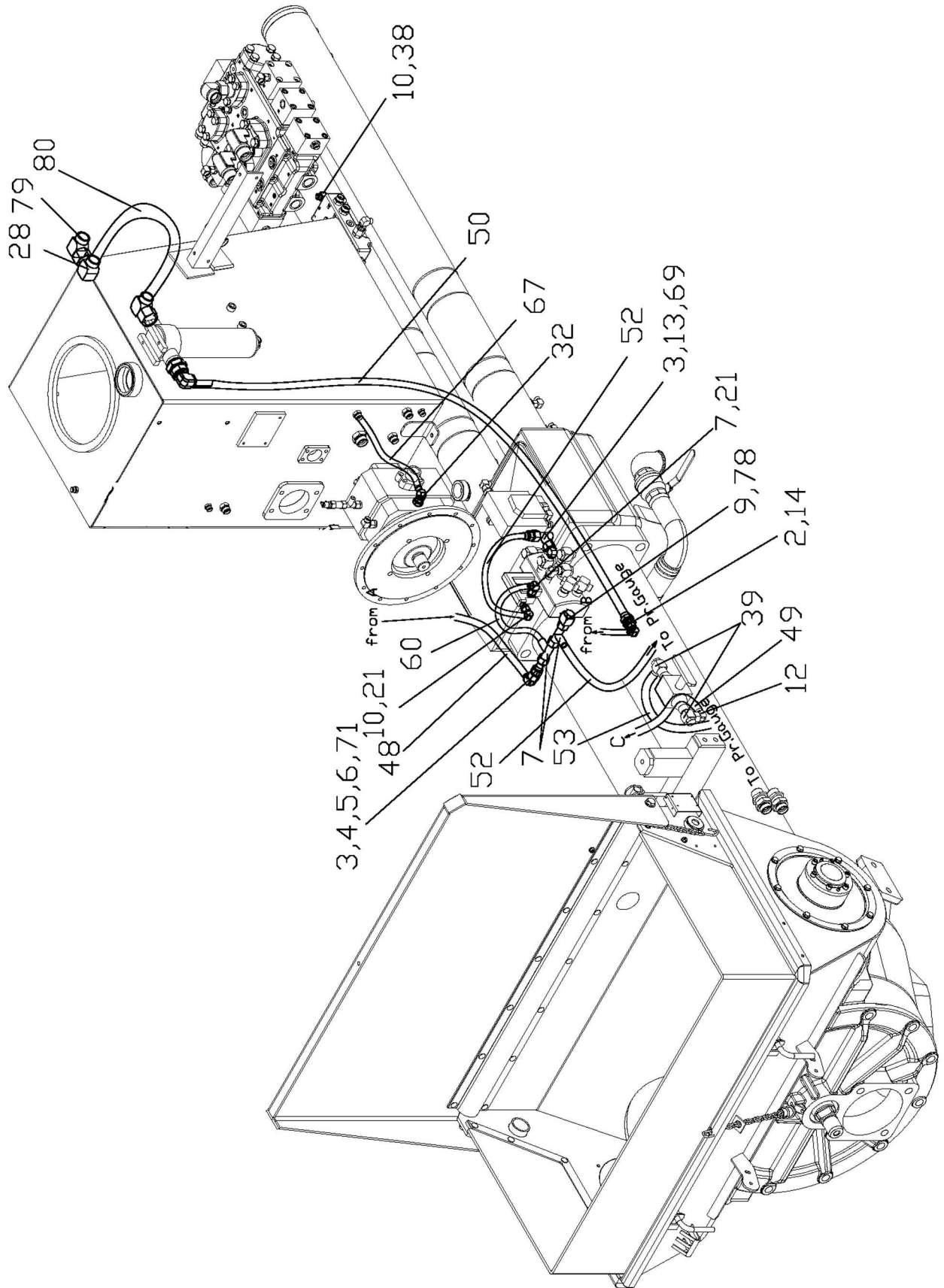
Material **10182256**

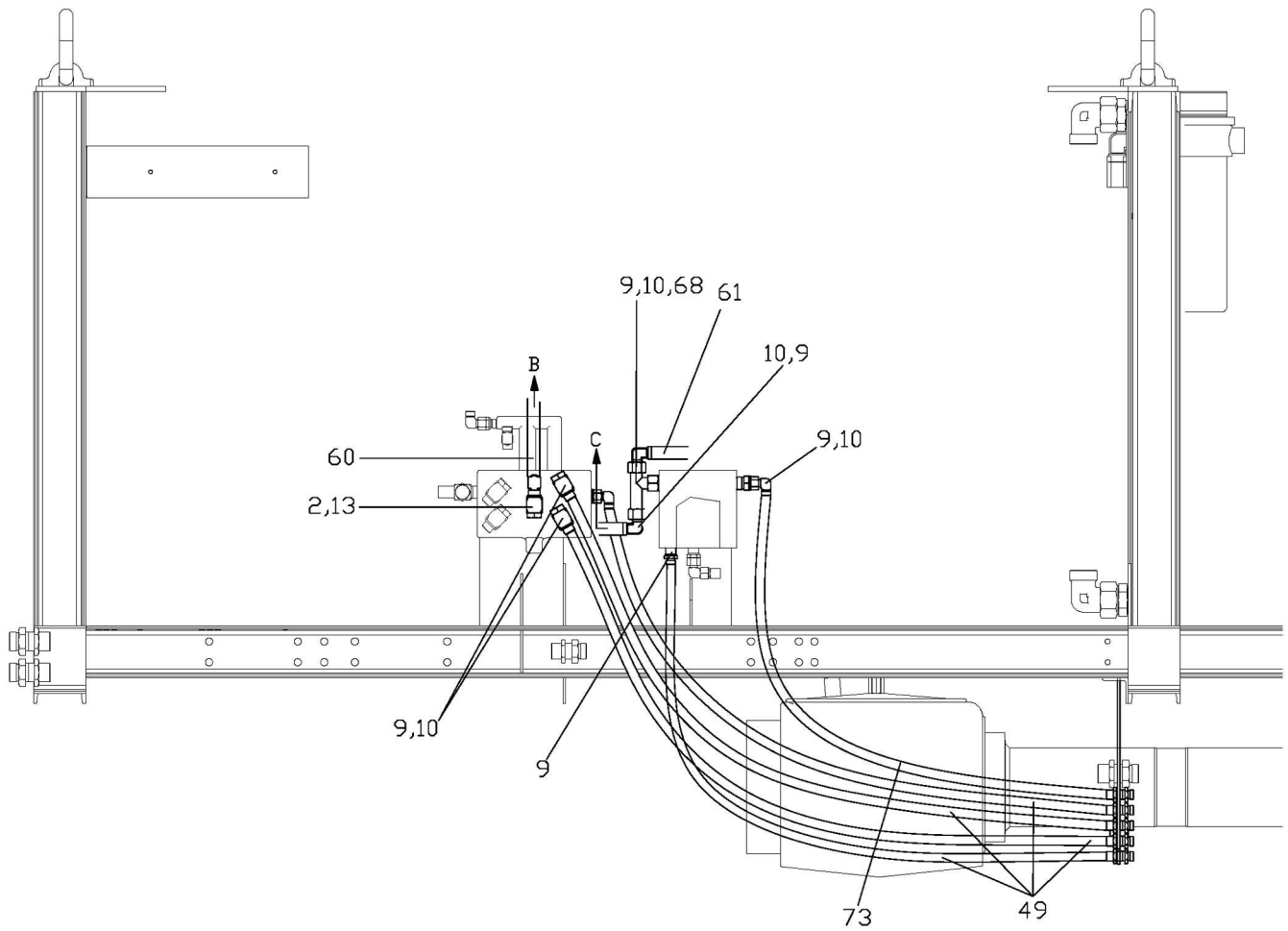
BLANK CARTRIDGE

Item	Qty	Unit	ID No	Description
1	1	No.	10067860	O - RING 17.86 X 2.62 mat:NBR 90









Material 80001288

HYDRAULIC SYSTEM BP 1800 BRO2 PRIME MOVER AND OPERATING

Item	Qty	Unit	ID No	Description
1	1	NO	10008004	FITTING GFS 16S - 35
2	4	NO	10019122	FITTING - HYDRAULIC EWSD 16S
3	3	NO	10019729	FITTING - HYDRAULIC REDSD 16S/12L A3L
4	2	NO	80001267	P.S.TUBE Ø 12 X 50
5	4	NO	10001730	PROFILE RING P-R 12 L/S
6	4	NO	10001748	CAP NUT M 12 L
7	3	NO	10019121	FITTING ELSD 12L
9	10	NO	10009282	FITTING GES 12LR 3/8"
10	17	NO	10018570	FITTING - HYDRAULIC EWSD 12L
11	3	NO	10008142	FITTING MAS 12LR 1/4"
12	2	NO	10000331	SCREW JOINT RED 3/8 WD/ R 1/2
13	6	NO	10008025	FITTING RSWS 16SR 1/2"
14	4	NO	10008112	FITTING GSS 16S
15	4	NO	10001443	FITTING GS 16S
16	2	NO	80001268	P.S.TUBE Ø 16 X 900
17	4	NO	10001732	PROFILE RING P-R 16 S
18	4	NO	10001743	CAP NUT M 16 S
19	2	NO	80000954	FITTING GES M 24 7/8" UNF
20	5	NO	10008109	FITTING GSS 12L
21	3	NO	10008100	FITTING GES 12LR 1/4"
28	2	NO	10018417	FITTING EWSD 25 S

Material 80001288

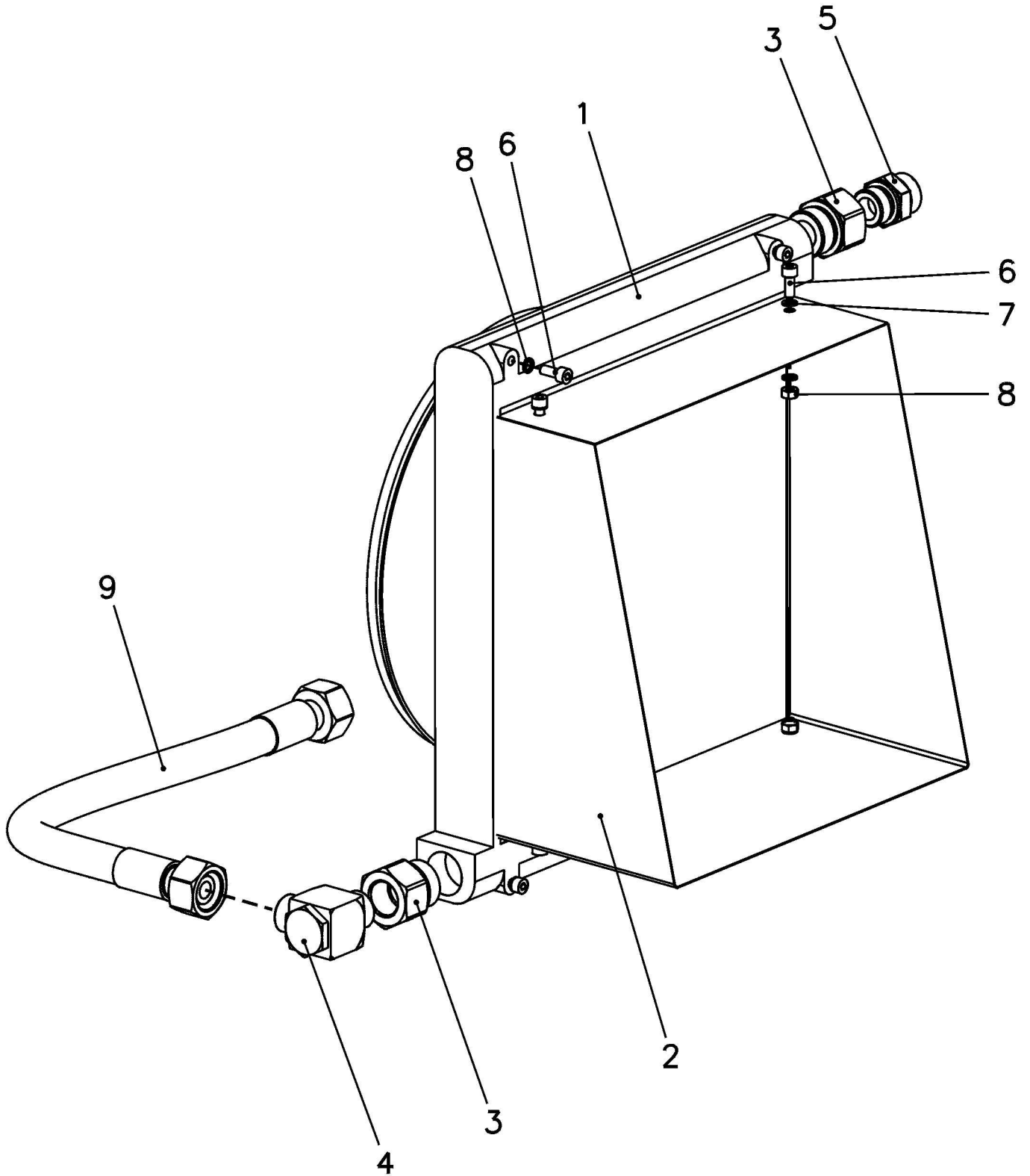
HYDRAULIC SYSTEM BP 1800 BRO2 PRIME MOVER AND OPERATING

Item	Qty	Unit	ID No	Description
32	1	NO	80000992	GES M26 X 1.5 / M30 X 2 (20S)
34	1	NO	10008125	FITTING GSS 30S
35	1	NO	80000834	FITTING GES 12L/M14
37	1	NO	10020459	MINIMESS SCREW-TYPE COUPLING SKK 12-G 1/4-PC
38	1	NO	10030252	FITTING GES 12 LR 1/2"
39	2	NO	10008023	FITTING RSWS 12LR 1/4"
47	2	NO	10049900	HYDRAULIC HOSE 415 BAR DN 12/4 SP X 400
48	4	NO	10024672	HYDRAULIC HOSE 415 BAR DN 12/4 SP X 1100
49	5	NO	10050177	HYDRAULIC HOSE 350 BAR DN 8/2 ST X 1300
50	2	NO	10058262	HIGH PRESSURE HOSE DN 8/2 X 1800 RSS
51	1	NO	10018482	HYDRAULIC HOSE 350 BAR DN 8/2 ST X 1600
52	2	NO	10050170	HYDRAULIC HOSE 350 BAR DN 8/2 ST X 650
53	1	NO	10050167	HYDRAULIC HOSE 350 BAR DN 8/2 ST X 400
60	3	NO	10050169	HIGH PRESSURE HOSE DN 8/2 X 550
61	1	NO	10050171	HYDRAULIC HOSE 350 BAR DN 8/2 ST X 750
62	2	NO	10025658	HYDRAULIC HOSE 350 BAR DN 8/2 ST X 1100
63	3	NO	10049904	HYDRAULIC HOSE 415 BAR DN 12/4 SP X 700
64	2	NO	10049907	HYDRAULIC HOSE 415 BAR DN 12/4 SP X 1300
65	1	NO	10049910	HYDRAULIC HOSE 415 BAR DN 12/4 SP X 1800
66	2	NO	10181824	HYDRAULIC HOSE 380 BAR DN 25/4SH X 1100
67	1	NO	10215806	H.P. HOSE 20/4SP X 520 (With one Side fitting 20 S & other side fitting 22 L with 90° Elbow)

Material 80001288

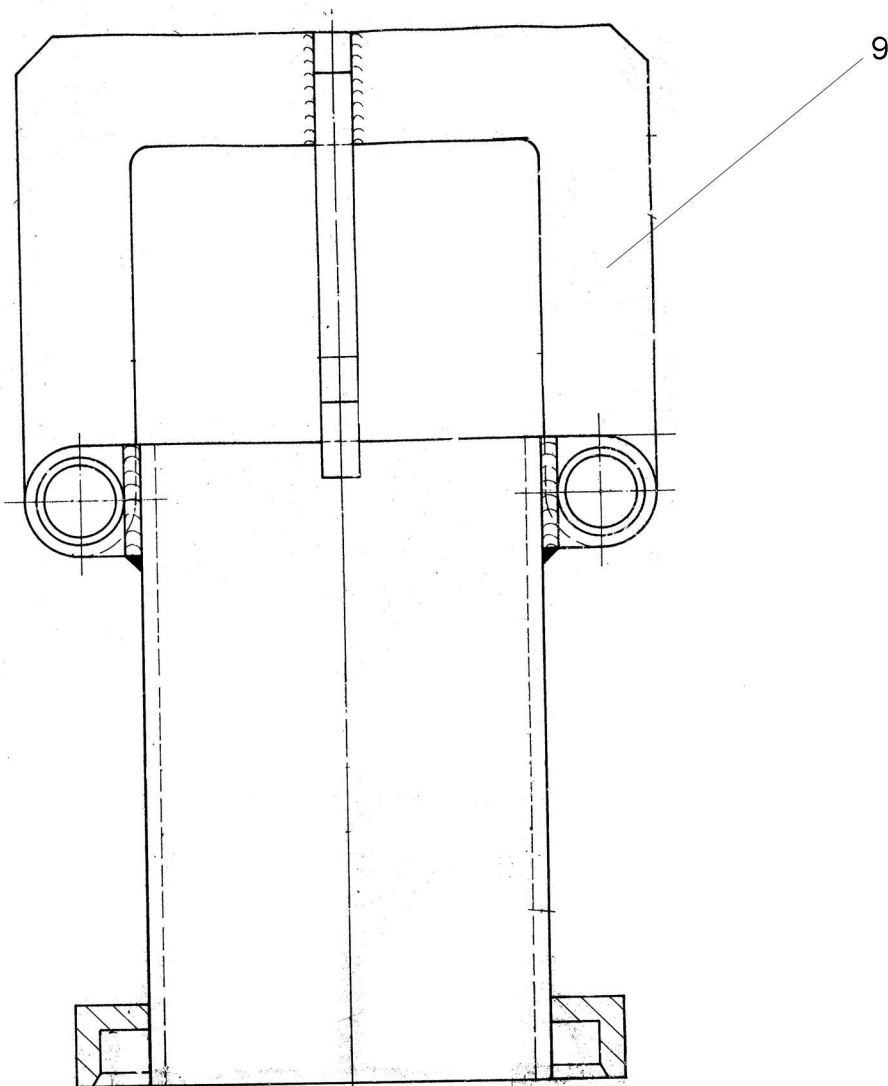
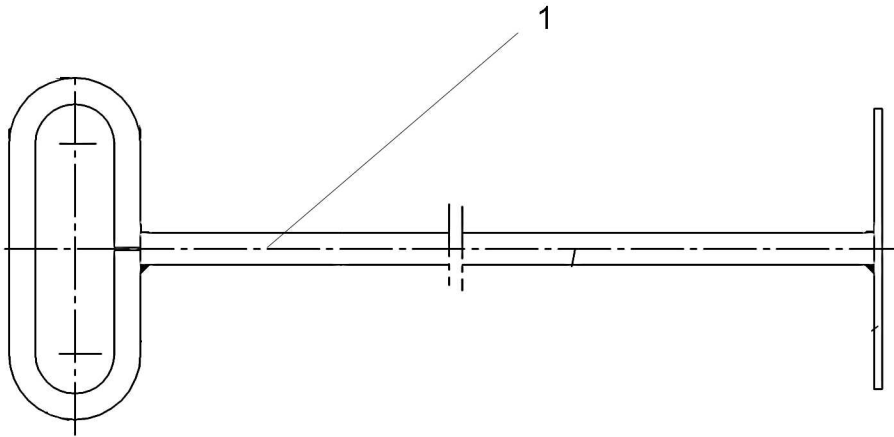
HYDRAULIC SYSTEM BP 1800 BRO2 PRIME MOVER AND OPERATING

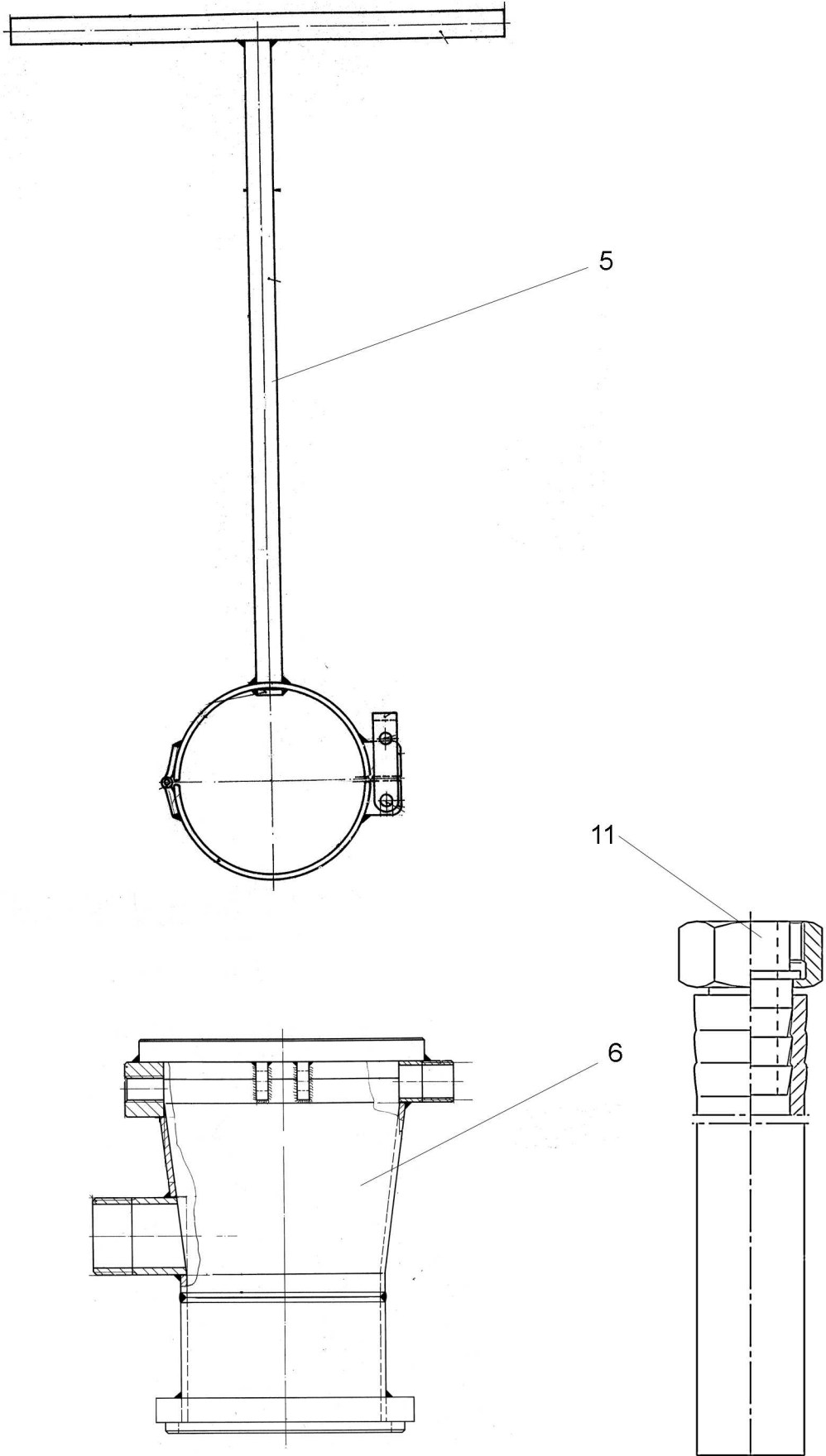
Item	Qty	Unit	ID No	Description
69	1	NO	10008040	FITTING ETSD 16 S
70	2	NO	10065682	FITTING EWSD 30 S
71	1	NO	10008087	FITTING WS 16 S
73	1	NO	10000112	HIGH PRESSURE HOSE DN 8/2 X 1000
77	4	NO	80000689	HYDER CLAMP 16 S
78	1	NO	10008022	FITTING RSWS 12 LR 3/8"
79	1	NO	10008028	FITTING BODY RSWS 25 SR
80	1	NO	10018481	HYDRAULIC HOSE 350 BAR DN 20/4SP X 700
81	1	NO	10019730	FITTING ETSD 12 L



Material **10195178****OIL COOLER CPL.12V**

Item	Qty	Unit	ID No	Description
1	1	No.	10194965	OIL COOLER ECO 16X 12V
2	1	No.	10194819	AIR SUPPLY mat: DC01
3	2	Nos.	10001492	SCREW JOINT RED R 1 1/4 WD / R 1
4	1	No.	10008028	FITTING BODY RSWS 25 SR
5	1	No.	10008115	FITTING GES 25 SR
6	8	Nos.	10001000	HEXAGON SOCKET HEAD CAP SCREW DIN 912 M8 X 20 8.8 A2C
7	4	Nos.	10001248	NUT HEX DIN 934 M8 - 8 - A2C
8	12	Nos.	10138329	WASHER LOCK, HELICAL SPRING SKZ 8 DT 320 mat: FST 420-510 HV 10
9	1	No.	10018481	HYDRAULIC HOSE 350 BAR DN 20/4SP X 700

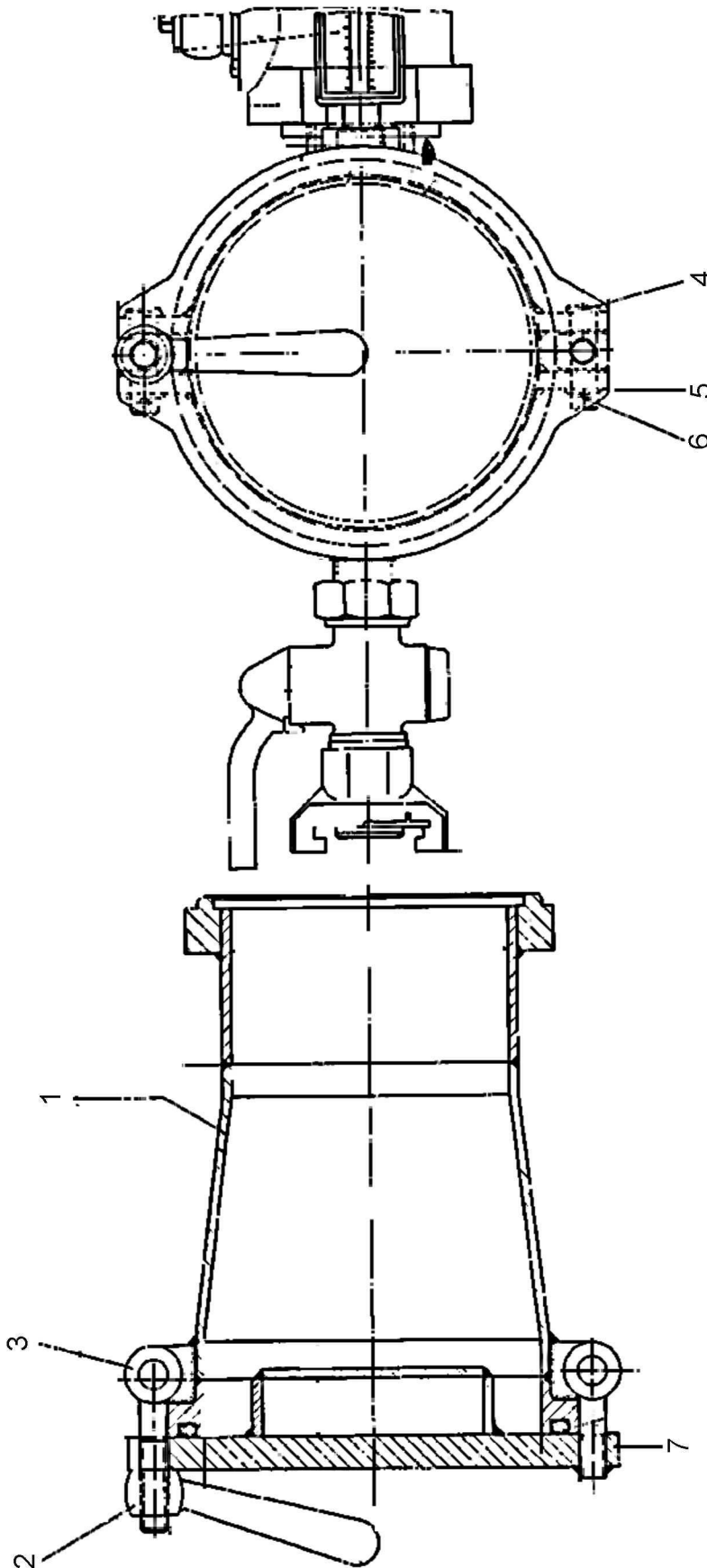




Material 80001353

STANDARD ACCESSORIES

Item	Qty	Unit	ID No	Description
1	1	NO	10011339	PIPELINE CLEANOUT TOOL
2	4	NO	80000883	LOCK PIN WITH HAND GRIP
3	4	NO	10003995	SPRING PLUG - BIG
4	1	NO	10097873	TOOL BOX WITH TOOL ACCESSORIES
5	1	NO	10008984	HANDLE HOLDING BAR DN125
6	1	NO	80002550	PIPE CLEANING HEAD DN125
7	1	NO	80000608	C.I.BALL VALVE 3/4 BSP"
8	1	NO	80000607	C.I.BALL VALVE 1.1/2 BSP"
9	1	NO	10007499	TRAP BASKET DN125
10	1	NO	80000853	PALM COUPLING 3/4" BSP FEMALE
11	1	NO	10099485	CONNECTING PIECES
12	1	NO	10000490	O RING 160 X 7
13	1	NO	80000634	AIR PRESSURE GAUGE 2.1/2 DIAL 1/4" BSP
14	1	NO	10006642	ENCLOSURE -LOCK KEY 7MM SQ
15	1	NO	80150661	KEY POUCH (LEATHER)
16	1	NO	80100124	L.P. HOSE DN20 X 10M
17	4	NO	60103829	HOSE CLIP 27-31MM

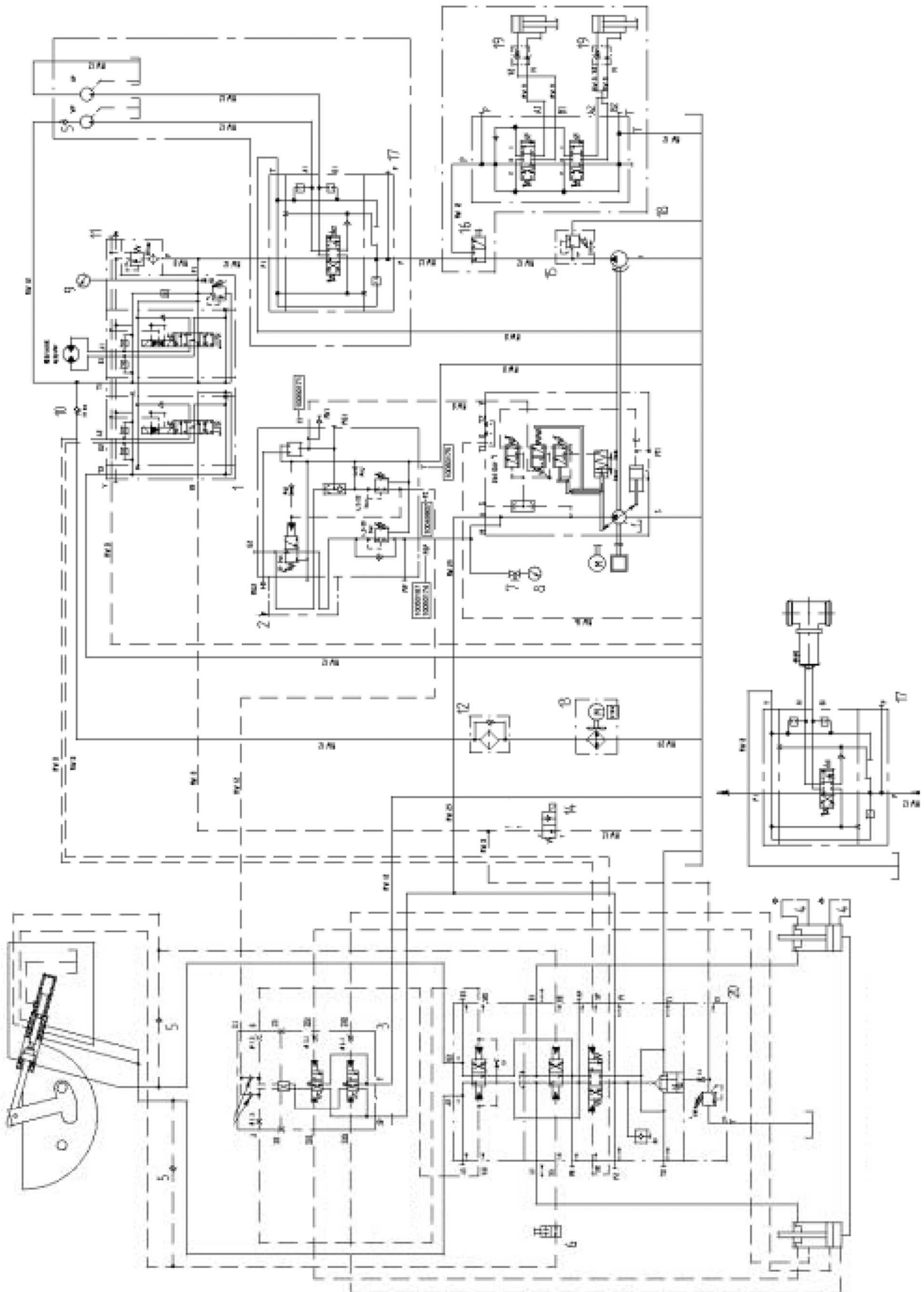


Material **80002543****PIPE CLEANING HEAD DN 125**

Item	Qty	Unit	ID No	Description
1	1	NO	10050552	CLEANING HEAD DN 125 MALE JOINT
2	1	NO	10009351	BALL HANDLE DIN 99 N100 (E16 X M12)
3	1	NO	10009206	EYE BOLT DIN 444 M12X70
4	2	NO	10006531	BOLT DIN 1444 B12H11 X 45 X 40 MATL. St 50
5	2	NO	10001985	WASHER FLAT DIN 1441 13-St-A2C
6	2	NO	10001377	SPLIT PIN 3.2 X 20 ISO 1234 St A2C
7	1	NO	10048826	COVER

Part No: 10178963 Pert. No : 10178962

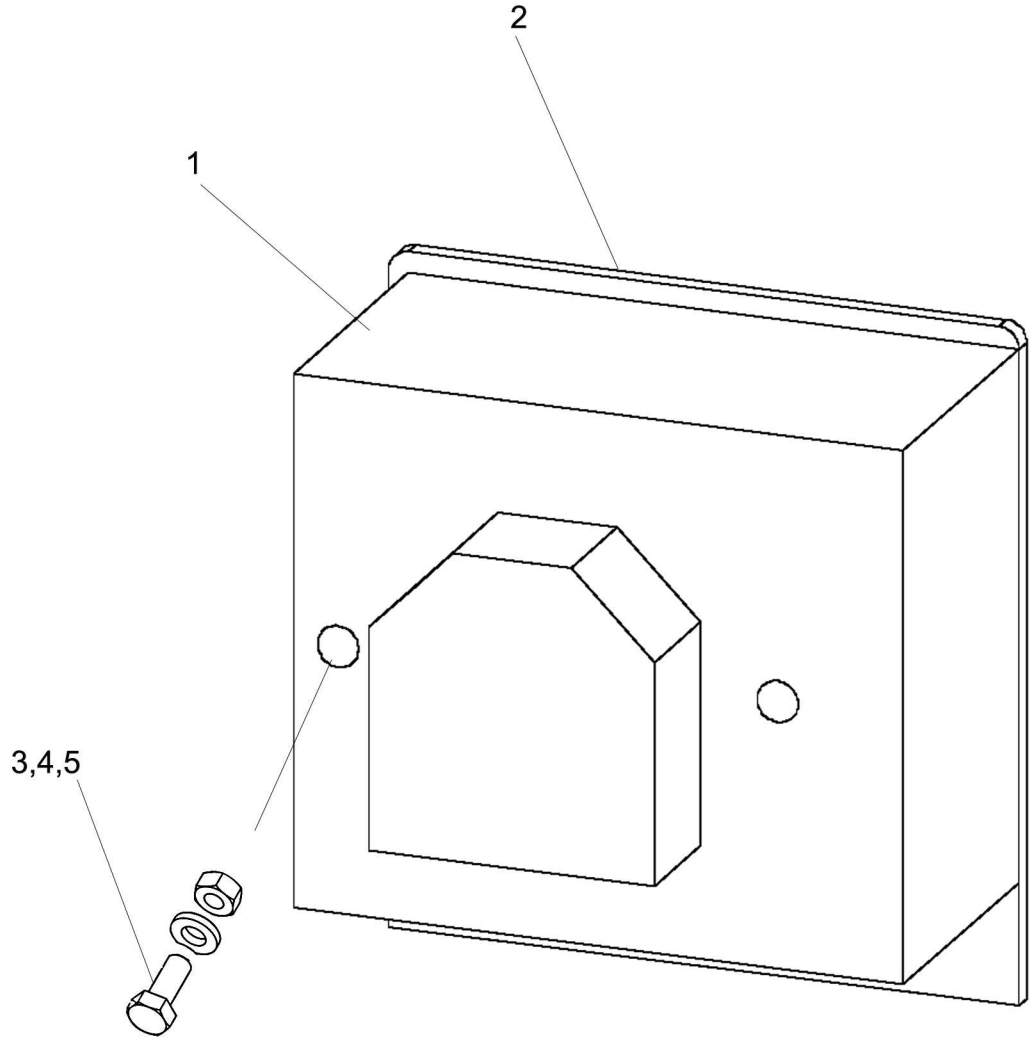
Sheet 1 of 1



Material 10178963

HYDRAULIC CIRCUIT DIAGRAM BP 1500 HDR BR02 D-DRIVE

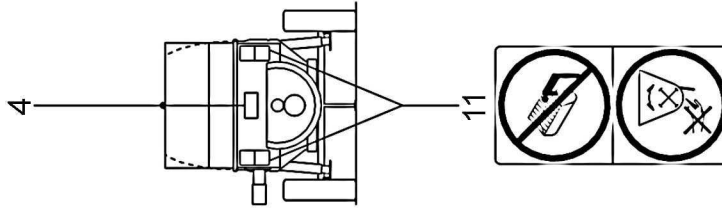
Item	Qty	Unit	ID No	Description
1	1	No.	10178916	CONTROL BLOCK NG 08 DOUBLE, CPL SD 6/2 AC (JG3-200) - 12VDC, EH
2	1	No.	10172265	CONTROL BLOCK VBL-FNUH
3	1	No.	10180280	CONTROL BLOCK VBL 4/2-2
4	1	No.	10144775	CHECK VALVE RVL - G 1/2 RVL - G 1/2 CXFA XCN 20
5	1	No.	10007924	CHECK VALVE S 10 A 2.0 R 1/2"
6	1	No.	10004680	BALL COCK KHS - 16
7	1	No.	10004685	SHUT OFF VALVE 9 MV 400 S
8	1	No.	10004662	PRESSURE GAUGE 63 0-400 BAR
9	1	No.	10004663	PRESSURE GAUGE 0-250 BAR
10	1	No.	10179287	CHECK VALVE VUC G 3/4, 10 BAR
11	1	No.	10020459	MINIMESS SCREW TYPE COUPLING SKK 12 - G 1/4 PC
14	1	No.	10140122	DIRECTIONAL SEAT VALVE 2/2 NG 10 SV 2/2L G1/2 12V G
15	1	No.	10140438	PRESSURE RELIEF VALVE DVA DVA - 10 - S
16	1	No.	10165887	BALL VALVE THREE WAY G 1/2 I DN 12
17	1	No.	10178992	CONTROL BLOCK NG 10 SINGLE, CPL SD 8/1 AC (SV) 6/3 WAY
18	1	No.	10164931	CONTROL BLOCK NG08 DOUBLE, CPL SD 5/2 P (SV) AET 6/3 WAY
19	1	No.	10165227	CHECK VALVE VSO - SE - DLN, G 1/2
20	1	No.	10177381	CONTROL BLOCK S1-2-S3 CPL. WITH FLANGES, 265 L/MIN



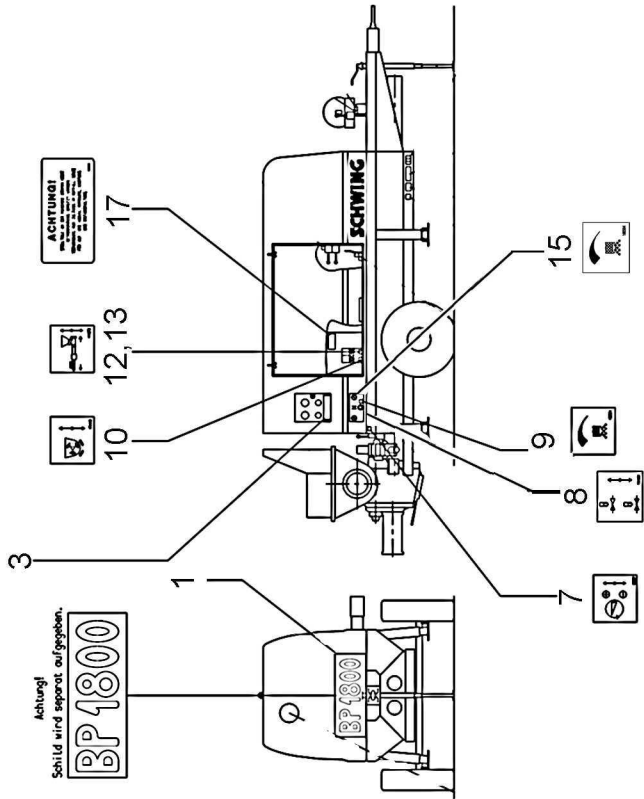
Material 80002688**FAST SWITCHING SYSTEM**

Item	Qty	Unit	ID No	Description
1	1	NO	10172265	CONTROL BLOCK VBL-FNUH
2	1	NO	80002273	CONTROL BLOCK MOUNTING PLATE
3	2	NO	10001162	HEXAGON SOCKET HEAD CAP SCREW DIN 912 M 10 X 80 - 8.8 - A2C
4	2	NO	10011165	SPRING WASHER DIN 127 B10 FST
5	2	NO	80150017	NYLOCK NUT M10

ACHTUNG !
 NICHT IN DEN SCHNEIDER GREIFEN,
 QUETSCH-UND SCHNEIFERHR !
 VOR DEM ÖFFNEN DES SCHNEIDER-
 GERÄTES ANTRIEBSMOTOR ABSTELLEN !

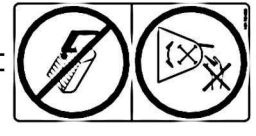
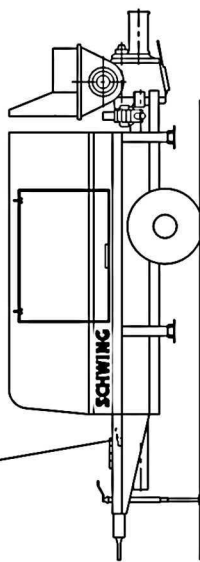


Wartungshinweise:
 1. Bei Wartungsarbeiten die Maschine vom Netz trennen.
 2. Die Maschine vor dem Öffnen des Schneidgerätes abstellen.
 3. Die Schneidgerätschneidmesser vor dem Öffnen des Schneidgerätes abstellen.
 4. Die Schneidgerätschneidmesser vor dem Öffnen des Schneidgerätes abstellen.
 5. Die Schneidgerätschneidmesser vor dem Öffnen des Schneidgerätes abstellen.
 6. Die Schneidgerätschneidmesser vor dem Öffnen des Schneidgerätes abstellen.
 7. Die Schneidgerätschneidmesser vor dem Öffnen des Schneidgerätes abstellen.
 8. Die Schneidgerätschneidmesser vor dem Öffnen des Schneidgerätes abstellen.
 9. Die Schneidgerätschneidmesser vor dem Öffnen des Schneidgerätes abstellen.
 10. Die Schneidgerätschneidmesser vor dem Öffnen des Schneidgerätes abstellen.
 11. Die Schneidgerätschneidmesser vor dem Öffnen des Schneidgerätes abstellen.
 12. Die Schneidgerätschneidmesser vor dem Öffnen des Schneidgerätes abstellen.
 13. Die Schneidgerätschneidmesser vor dem Öffnen des Schneidgerätes abstellen.
 14. Die Schneidgerätschneidmesser vor dem Öffnen des Schneidgerätes abstellen.
 15. Die Schneidgerätschneidmesser vor dem Öffnen des Schneidgerätes abstellen.
 16. Die Schneidgerätschneidmesser vor dem Öffnen des Schneidgerätes abstellen.
 17. Die Schneidgerätschneidmesser vor dem Öffnen des Schneidgerätes abstellen.



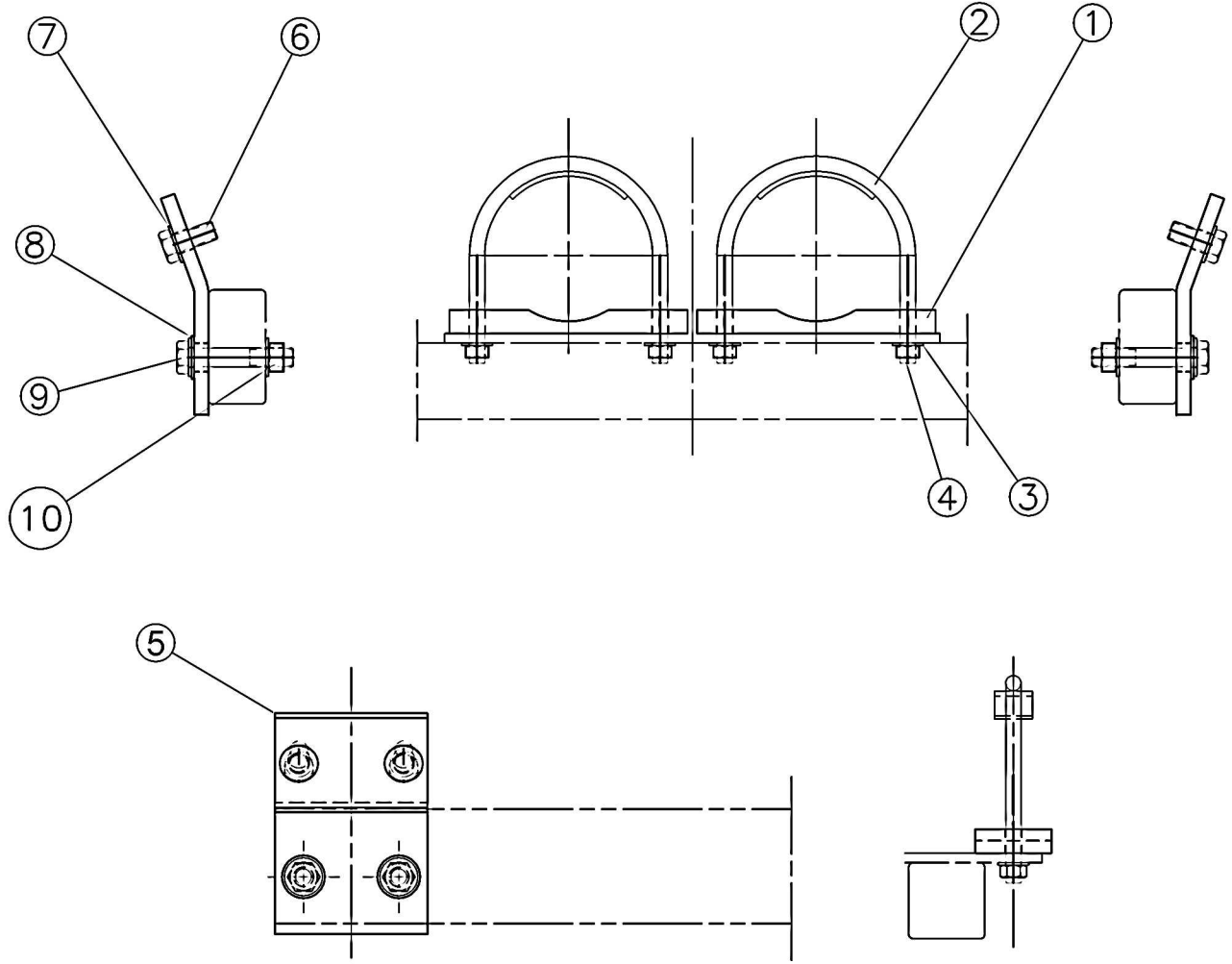
Achtung!
 Schild wird separat aufgegeben.
BP 1800

14



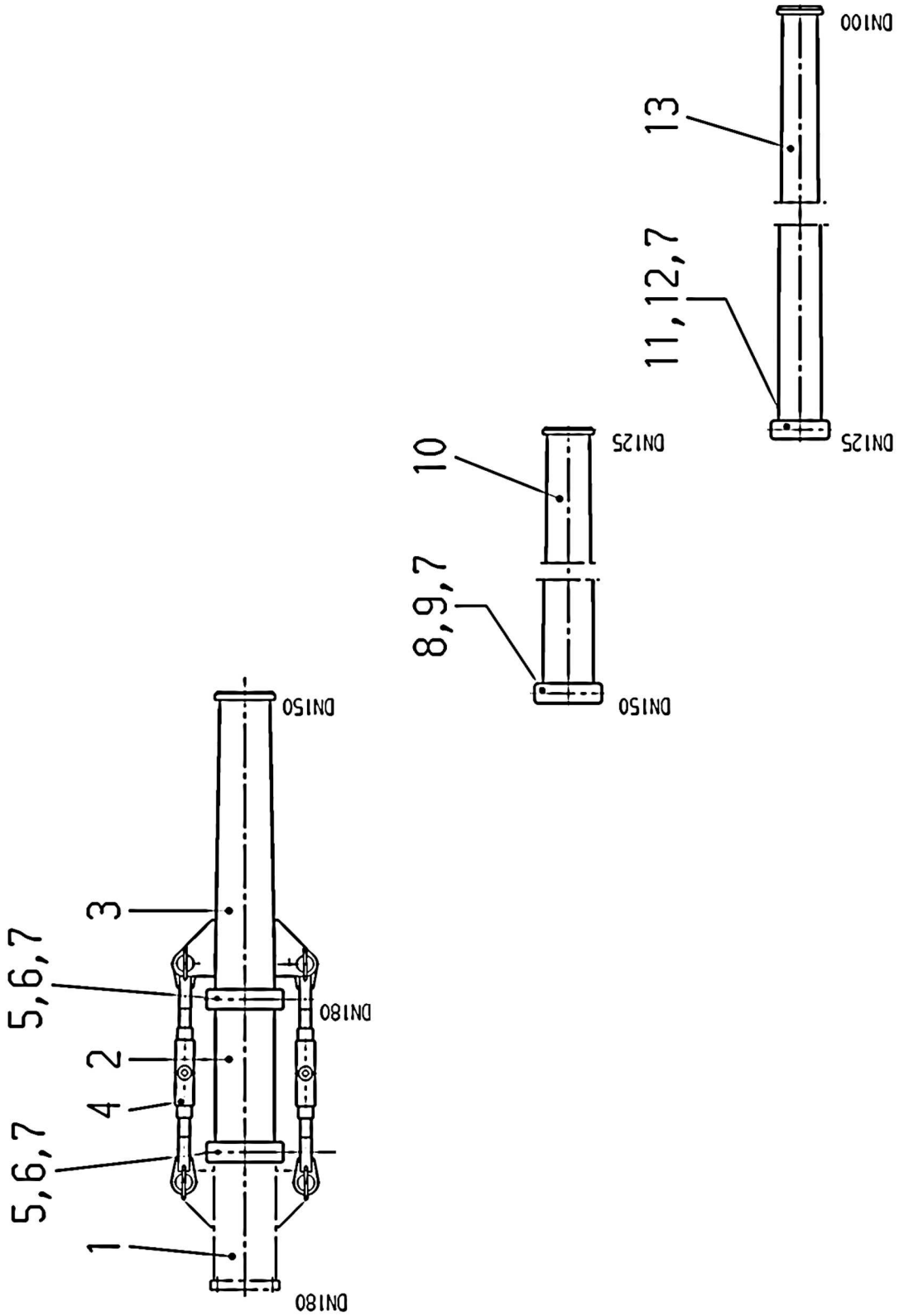
Material 80003461**LABELLING STANDARD BP 1800**

Item	Qty	Unit	ID No	Description
1	1	NO	80002764	STICKER BP 1800
3	1	NO	10045840	PLATE
4	1	NO	10077860	DANGER SIGN
7	1	NO	10086507	FUNCTION PLATE
8	1	NO	10134091	FUNCTION PLATE
9	1	NO	10144566	FUNCTION LABLE
10	2	NO	10174413	FUNCTION SIGN
11	2	NO	10172456	PROHIBITING SIGN
12	1	NO	10144573	FUNCTION LABLE
13	1	NO	10115873	FUNCTION LABLE
14	1	NO	10163380	FUNCTION INDICATOR PLATE -de -en- PRESSURE CONTROLLING
15	1	NO	10166594	FUNCTION INDICATOR PLATE -BZ- OUTPUT ADJUSTMENT
17	1	NO	10149708	DANGER SIGN



Material **10181689****SUSPENSION FOR CONCRETE PUMP KIT**

Item	Qty	Unit	ID No	Description
1	2	Nos.	10017760	TUBE SUPPORT 159
2	2	Nos.	10012248	ROUND STEEL STURRUP
3	4	Nos.	10133552	SCREW RETAINER SKM 16 DT 320
4	4	Nos.	10001260	HEXAGON NUT DIN 934 M16 - 8 - A2C
5	2	Nos.	10160018	SUPPORT PLATE
6	4	Nos.	10001404	HEXAGON HEAD SCREW DIN 933 M20 X 45 8.8 - A3C
7	12	Nos.	10145474	SCREW RETAINER SKM 20 DT 320
8	4	Nos.	10001464	DISC DIN 7349 21 - St - A3C
9	4	Nos.	10001856	HEXAGON HEAD BOLT DIN 931 M20 X 110 8.8 A3C
10	4	Nos.	10001265	HEXAGON NUT DIN 934 M20 - 8 - A3C



Material **10162327****CONCRETE PUMP OUTLET PRESSURE RATING : PN 110 CONNEC. DN 180-125**

Item	Qty	Unit	ID No	Description
2	1	No.	10082592	DELIVERY TUBE DN 180 500 MM MALE FEMALE JOINT DW
3	1	No.	10162291	TAPERED TUBE DN 180-150 1000 LONG R-V DW WITH SHACKLES
4	1	No.	10004473	CLAMPING DEVICE 730MM
5	2	Nos.	10043560	CLAMP, CUP TYPE, TENSION DN 180 WEDGE CLOSING DEVICE
6	2	Nos.	10006403	SEALING DN 180 BF 191/213 X 15
7	3	Nos.	10008369	SAFETY DEVICE FOR CLAMP
8	1	No.	10043559	CLAMP, CUP TYPE, TENSION DN 150 WEDGE CLOSING DEVICE
9	1	No.	10004761	SEALING DN 150 BF 4005 159/183 X 12
10	1	No.	10032750	TAPERED TUBE DN 150/125 1600MM FEMALE-MALE JOINT

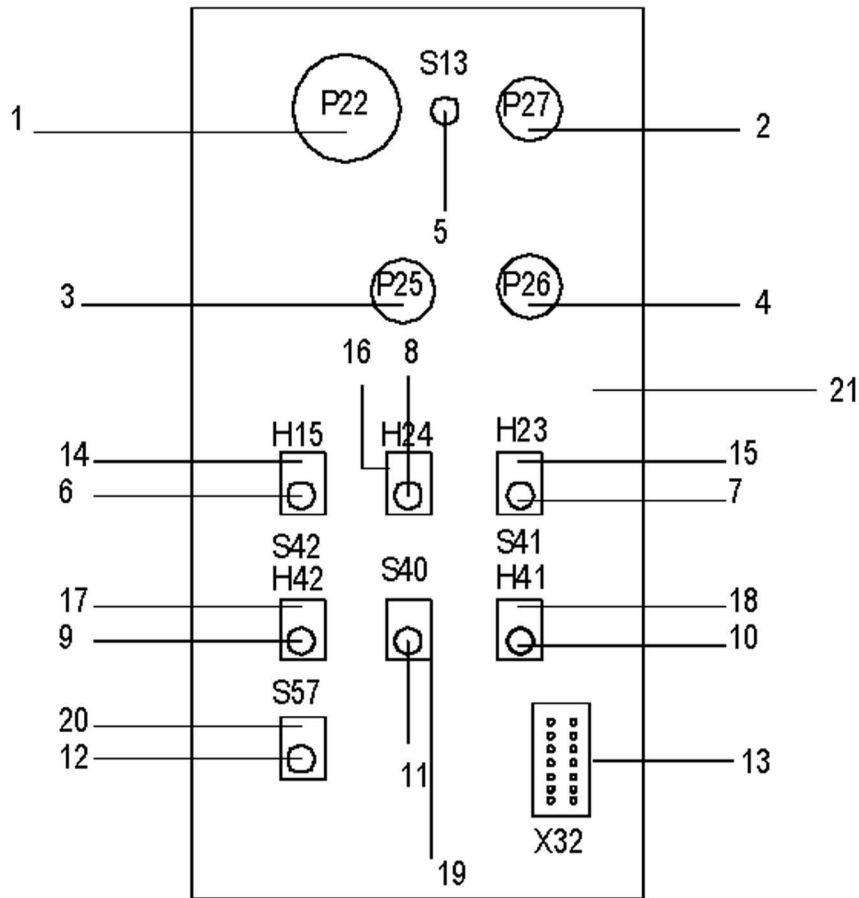
SCHWING STETTER INDIA

Spare Part List

Material 80003365

NAME PLATE CPL.

Item	Qty	Unit	ID No	Description
1	1	NO	80150666	NAME PLATE
2	4	NO	80150660	ALUMINIUM RIVETS 1/8 x 1/2"



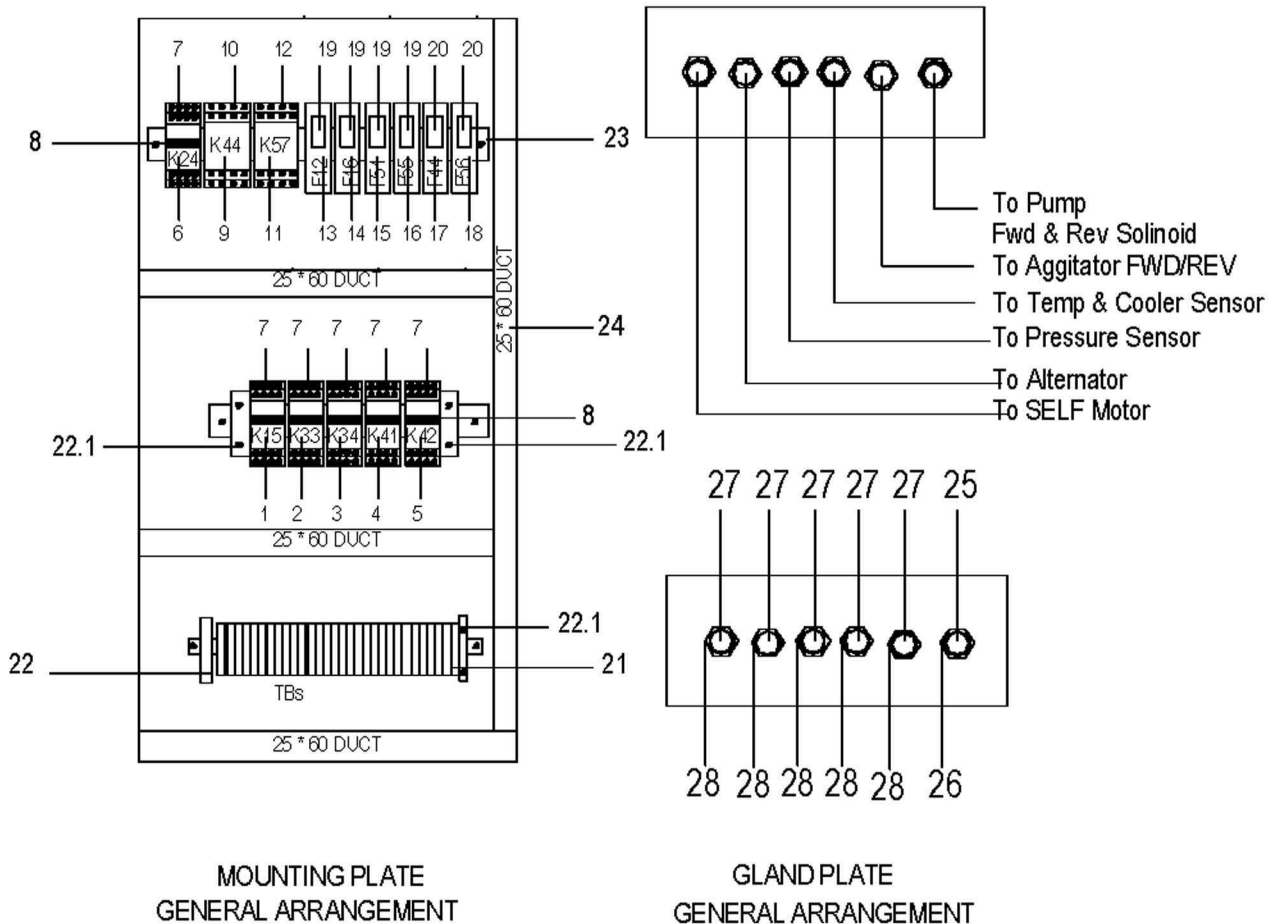
**FRONT DOOR
GENERAL ARRANGEMENT**

**SPARE PARTS LIST FOR
BP 1800D PANEL DOOR**

POS	TAG	PART NUMBER	DESCRIPTION	SPECIFICATION
1	P22	1015 1323	Revolution counter 3000 U/MIN	12V DC
2	P25	8000 0559	Fuel Gauge	12V DC
3	P27	1015 1308	Hour Meter	12V DC
4	P26	1015 1328	Oil Temperature Gauge	12V DC
5	S13	1011 6946	Heater Starter Switch	50A 12V DC
6	H15	8040 0138	Pilot Lamp	Dia 22.5 Red BA 9S 12V 2NC
7	H23	8040 0138	Pilot Lamp	Dia 22.5 Red BA 9S 12V 2NC
8	H24	8040 0138	Pilot Lamp	Dia 22.5 Red BA 9S 12V 2NC
9	S42	1018 4527	Pushbutton with Lamp	Dia 22.5 White BA 9S 12V 2NO
10	S41	1018 4527	Pushbutton with Lamp	Dia 22.5 White BA 9S 12V 2NO
11	S40	1018 4525	Pushbutton with Lamp	Dia 22.5 Red BA 9S 12V 2NC
12	S57	8000 0054	Selector Switch	Dia 22.5 Black BA 9S 12V 2NC
14		8040 0151	Indication plate "Charging Lamp"	30x45 Aluminium
15		8041 0151	Indication plate "Oil pressure"	30x45 Aluminium
16		8042 0151	Indication plate "Cooling Water"	30x45 Aluminium
17		8043 0151	Indication plate "Aggitator Forward"	30x45 Aluminium
18		8044 0151	Indication plate "Aggitator Reverse"	30x45 Aluminium
19		8045 0151	Indication plate "Aggitator Off"	30x45 Aluminium
20		8046 0151	Indication plate "M/C Name Plate"	30x45 Aluminium
21		8040 0134	Electrical cabinet	400x300x200MM
22		8040 0335	Cover for HA4 Socket	

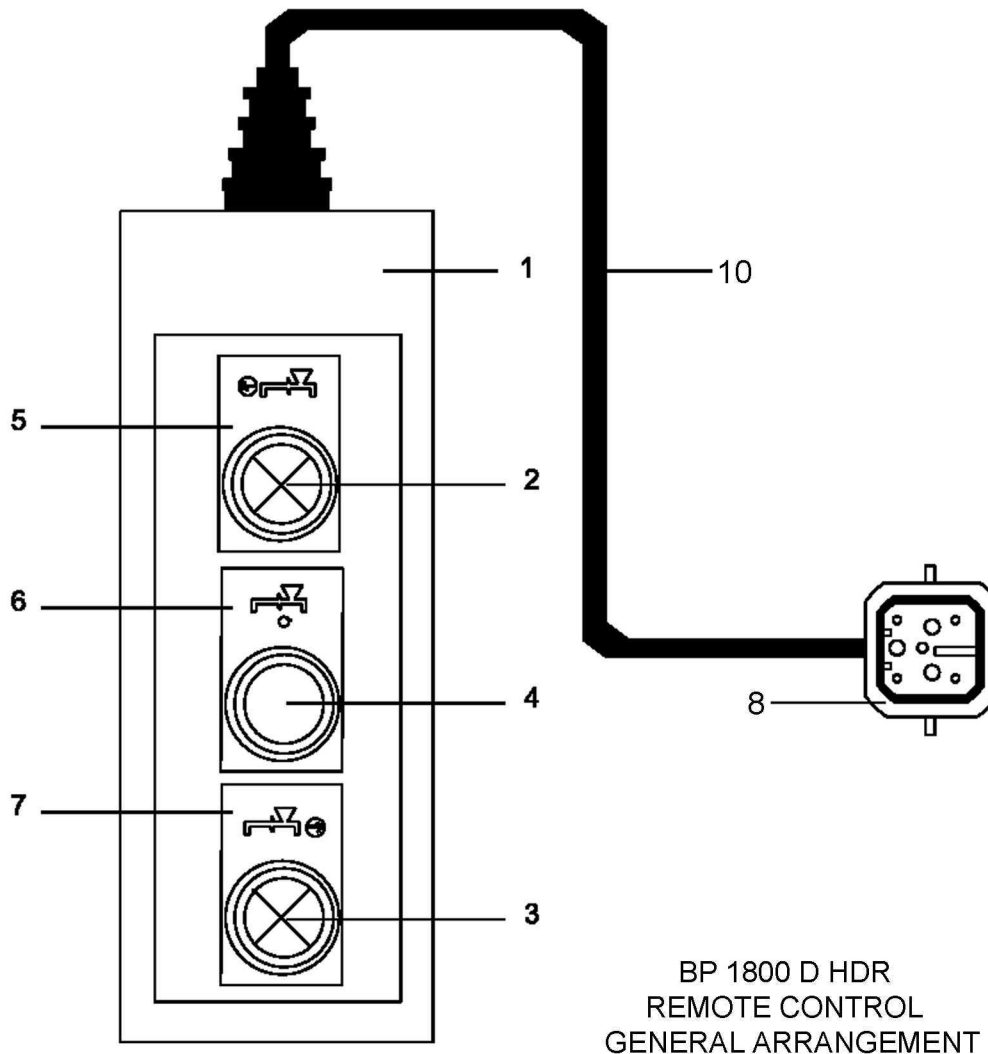
Part No: 80400180

Sheet 2 of 3



**SPARE PART LIST FOR
BP1800D MOUNTING PLATE**

POS	TAG	PART NUMBER	DESCRIPTION	SPECIFICATION
1	K15	1015 1917	Relay-Omron Make	12VDC 4 NC/NO 5A 250V AC
2	K33	1015 1917	Relay-Omron Make	12VDC 4 NC/NO 5A 250V AC
3	K34	1015 1917	Relay-Omron Make	12VDC 4 NC/NO 5A 250V AC
4	K41	1015 1917	Relay-Omron Make	12VDC 4 NC/NO 5A 250V AC
5	K42	1015 1917	Relay-Omron Make	12VDC 4 NC/NO 5A 250V AC
7		1011 9593	Relay socket	14 pole
8		1011 9594	Clip for Relay	
9	K44	8040 0039	Automotive Relay, 70A	12V DC , 70A
11	K24	8000 0038	Automotive Relay, 30A	12V DC , 30A
13	F12	1014 7898	Fuse Terminal Block with LED	6 Sq.mm
14	F16	1014 7898	Fuse Terminal Block with LED	6 Sq.mm
15	F51	1014 7898	Fuse Terminal Block with LED	6 Sq.mm
16	F55	1014 7898	Fuse Terminal Block with LED	6 Sq.mm
17	F44	1014 7898	Fuse Terminal Block with LED	6 Sq.mm
18	F56	1014 7898	Fuse Terminal Block with LED	6 Sq.mm
19		8015 0698	Auto Fuse	10A
20		8015 0699	Auto Fuse	25A
21		1012 8649	Single terminal Block	2.5 Sq.mm
22		1013 6724	Single terminal Block	10 Sq.mm
		1012 8648	End clamp	2.5 Sq.mm
23		8000 0081	Cross Rail	TS 35 /7.5
24		8000 0122	PVC Channel	Slitted -1000*30*60
25		1011 5519	Cable Gland with Pull Relife	PG9
		1012 8647	End Plate for TB	2.5 Sq.mm
		1013 6725	End Plate for TB	10 Sq.mm



BP 1800 D HDR
REMOTE CONTROL
GENERAL ARRANGEMENT

SPARE PART LIST FOR
BP 1800 D HDR REMOTE PENDENT

POS	TAG	PART NUMBER	DESCRIPTION	SPECIFICATION
1		8040 0249	Pendent Control Station	XAC 3030
2	2S2,2H1	1018 4527	Pushbutton with Lamp	Dia22.5 White BA 9S 12V 1NO
3	2S3,2H2	1018 4527	Pushbutton with Lamp	Dia22.5 White BA 9S 12V 1NO
4	2S1	1018 4525	Pushbutton with Lamp	Dia22.5 Red 12V
5		8040 0276	Indication plate "Pump Forward"	30x45 Aluminium
6		8040 0276	indication plate "Pump Off"	30x45 Aluminium
7		8040 0276	Indication plate "Pump Reverse"	30x45 Aluminium
8		8040 0255	8 Pole connector Assembly	
9		6057 4267	Cable gland	PG11
10		1012 4798	Multicore cable	12x1 Sq mm

Material 80000849

CONCRETE PUMP PIPELINE ACCESSORIES

Item	Qty	Unit	ID No	Description
1	1	NO	10004289	STRAIGHT PIPE DN125 - 3M Lg
2	1	NO	10004523	STRAIGHT PIPE DN125 - 2M Lg
3	1	NO	10004520	STRAIGHT PIPE DN125 - 1M Lg
4	1	NO	10004588	90° PIPE BEND DN125
5	1	NO	10004584	60° PIPE BEND DN125
6	1	NO	10004581	45° PIPE BEND DN125
7	1	NO	10008573	30° PIPE BEND - DN 125
8	1	NO	10004574	15° PIPE BEND - DN 125
9	1	NO	10004560	TYPE BEND "S" DN 125
10	1	NO	10002838	PIPE CLEANING BALL DN125 (HARD)
11	1	NO	10002832	PIPE CLEANING BALL DN125 (SOFT)
12	1	NO	10131017	END HOSE DN125 - 6M Lg (OPTIONAL)
13	1	NO	10131016	END HOSE DN125 - 4 M Lg
14	1	NO	10006251	SEALING RING DN125
15	1	NO	80000655	CIRCULAR DISTRIBUTOR DN125 (OPTIONAL)
16	1	NO	10014447	STRAIGHT PIPE DN125 - 0.5 MTR LG(m/f) (OPTIONAL)

Material 80003170

AIR COMPRESSOR ASSEMBLY FOR BP 1800 / 2800 HDR (OPTIONAL)

Item	Qty	Unit	ID No	Description
1	1	NO	80003267	SINGLE STAGE RECIPROCATING AIR COMPRESSOR Max. Working Pr. 10 bar (make: Anest iwata)
2	1	NO	10002997	HYDRAULIC MOTOR 4 M 030 - EM 4-25 V OMS - 80
3	1	NO	80002682	CLUTCH (LOVE JOY COUPLING) L110
4	6	NO	10004897	SPRING WASHER B8 FST DIN 127
5	18	NO	10011164	SPRING WASHER B12 FST DIN 127
6	14	NO	10001526	HEXAGON HEAD SCREW DIN 933 - M 12 X 40 - 8.8 - A2C
8	14	NO	10001254	HEXAGON NUT DIN 934 - M12 - 8 - A2C
10	1	NO	80000555	SPACER FOR COMPRESSOR (BIG)
11	1	NO	80000556	SPACER FOR COMPRESSOR (SMALL)
12	1	NO	80000557	COUPLING HOUSING
13	6	NO	10001819	HEXAGON HEADSCREW DIN 933 - M 8 X 35 - 8.8 - A2C
15	1	NO	80000573	PALM COUPLING 3/4"(MALE)
35	1	NO	80001324	BRACKET FOR COMPRESSOR
36	28	NO	10012776	DISC DIN 125 B 13 - St -A2C
37	3	NO	10020466	HEXAGON HEAD SCREW DIN 961 - M 12 X 45- 10.9- GT500
38	1	NO	10001523	HEXAGON HEAD SCREW DIN 933 - M 12 X 35- 10.9 -GT500
39	7	NO	10019122	FITTTING- HYDRAULIC EWSD 16 S
40	3	NO	10018570	FITTTING- HYDRAULIC EWSD 12 L
41	4	NO	10008108	FITTTING- HYDRAULIC GES 16 SR 1/2"
42	2	NO	80000589	FITTTING- HYDRAULIC GES 16 SR 3/4"
43	1	NO	10008100	FITTTING- HYDRAULIC GES 12 LR 1/4"
44	1	NO	10164227	FITTTING- SNV 16 S

Material 80003170

AIR COMPRESSOR ASSEMBLY FOR BP 1800 / 2800 HDR (OPTIONAL)

Item	Qty	Unit	ID No	Description
45	1	NO	10020459	MINIMESS COUPLING
46	1	NO	10008087	FITTTING- HYDRAULIC WS 16 S
47	1	NO	10018848	FITTTING- HYDRAULIC ELSD 16 S
48	1	NO	10019121	FITTTING- HYDRAULIC ELSD 12 L
49	1	NO	10140348	PRESSURE RELIEF VALVE DVA - 10 -S
50	2	NO	10008112	FITTTING- HYDRAULIC GSS 16 S
51	2	NO	10008025	FITTTING- HYDRAULIC RSWS 16 SR 1/2"
52	1	NO	10018484	HYDRAULIC HOSE 350 BAR DN 8/2 ST X 700 Lg
53	2	NO	10049900	HYDRAULIC HOSE 415 BAR DN 12/4 SP X 400 Lg
54	1	NO	10049904	HYDRAULIC HOSE 415 BAR DN 12/4 SP X 700 Lg
56	3	NO	10018480	HYDRAULIC HOSE 415 BAR DN 12/4 SP X 900 Lg
57	2	NO	10049907	HYDRAULIC HOSE 415 BAR DN 12/4 SP X 1300 Lg
58	1	NO	10049908	HYDRAULIC HOSE 415 BAR DN 12/4 SP X 1450 Lg
59	1	NO	10178992	CONTROL BLOCK NG 10 SINGLE, CPL SD 8/1 - AC (SV) 6/3 WAY