

## Strip UVC Light

### Plusrite Sterilizing UV-C Strip Lights

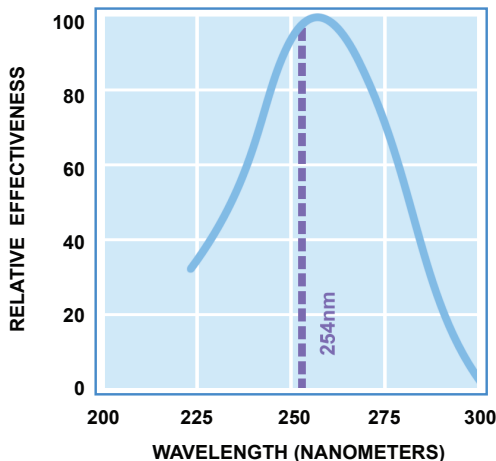
UV light has been used for sterilization and disinfection since the mid-20th century. However, recent advancements in ultraviolet technology have improved the lifespan of the products and broadened their applications. Plusrite Germicidal UV-C fixtures has been carefully designed to provide direct ultraviolet exposure for air and/or surface disinfection. Our UV-C fixtures use short-wave (254nm) ultraviolet lamps to deactivate a wide range of microorganisms.



#### Features:

- Effectively kills/inactivates airborne bacteria and viruses in a room
- Safely sanitizes a room in as little as 30 minutes
- Designed to be used in unoccupied rooms. Timer can be added for after-hour usage
- Reverse occupy sensor shuts off the UV lamp when motion is detected
- Easy Twist and Lock lamp holders
- Applications: Restaurants, Schools, Hospitality, Offices, and more

**Germicidal Effectiveness As Related to Wavelength**



**Coverage Area Capability for UV Light**

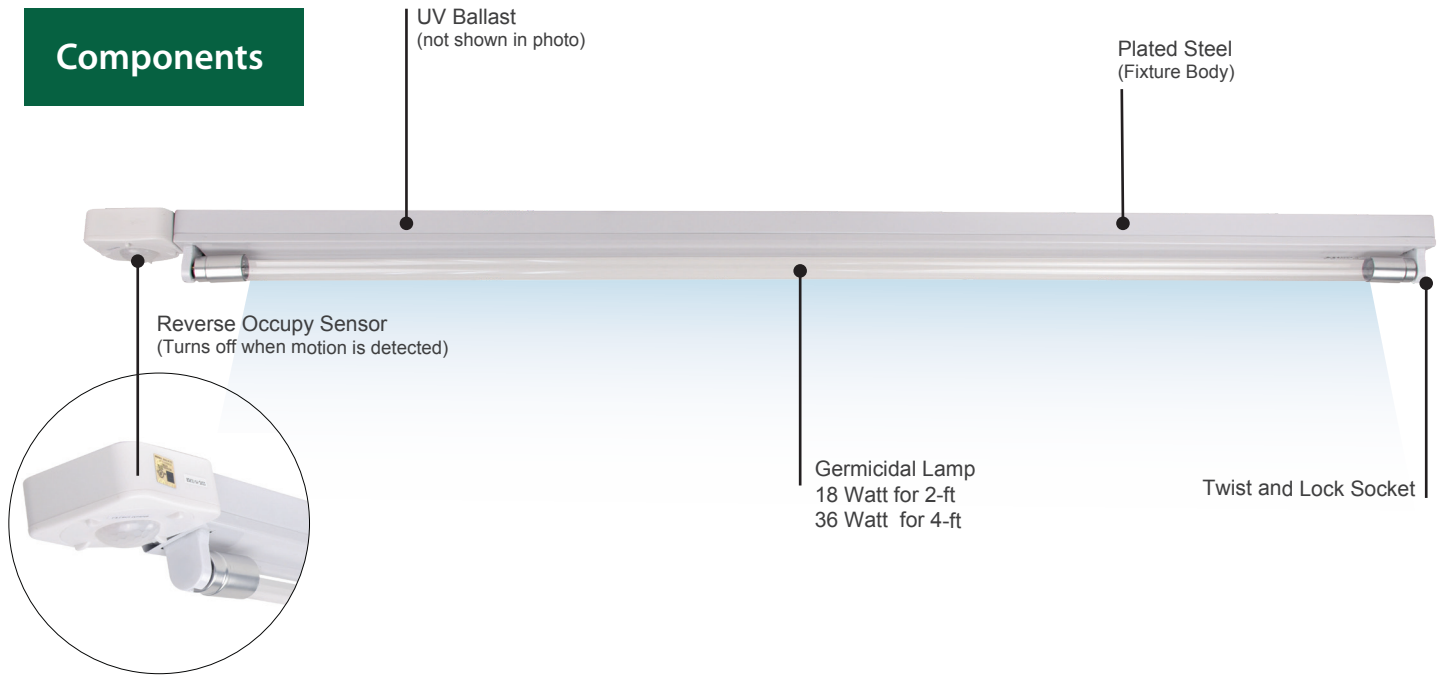
Time (Minutes)	18W Room Area (sq ft)	36W Room Area (sq ft)
10	32 - 54	54 - 108
20	54 - 86	108 - 161
30	86 - 107	161 - 215
45	107-161	215 - 323
60	161-215	323 - 431

Product Description		Dimensions			Weight	Lamp (Rated Life Hrs)	Warranty for Mobile Unit	Voltage
Item #	Order Code	Length	Width	Height				
9508	UVC-SL18-SEN	27.8" (707mm)	3.22" (82mm)	2.63" (67mm)	1.54-lbs	9,000	1-year	120V
9509	UVC-SL18/MV-SEN	27.8" (707mm)	3.22" (82mm)	2.63" (67mm)	1.54-lbs	9,000	1-year	120-277V*
9510	UVC-SL36-SEN	51.8"(1315mm)	3.22" (82mm)	2.63" (67mm)	2.87-lbs	9,000	1-year	120V
9511	UVC-SL36/MV-SEN	51.8"(1315mm)	3.22" (82mm)	2.63" (67mm)	2.87-lbs	9,000	1-year	120-277V*

\*Multiple Voltage for special order only

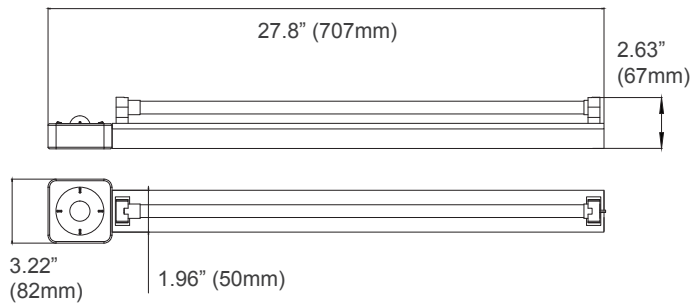
Rated Life — Rated life is based on a group of lamps operating under lab conditions and is for reference purposes only. Actual life depends on the operating conditions of the lamp. Safety Precautions: UVC may be harmful to your eyes and skin, please follow safety guidelines by wearing protective eyewear and gloves prior to handling or near UV products. Germicidal fixtures should be utilized when space is unoccupied or when user and occupants take appropriate protective measures. Lamps contain mercury – Disposal in accordance with your local disposal laws. Visit [www.lamprecycle.org](http://www.lamprecycle.org).

## Components

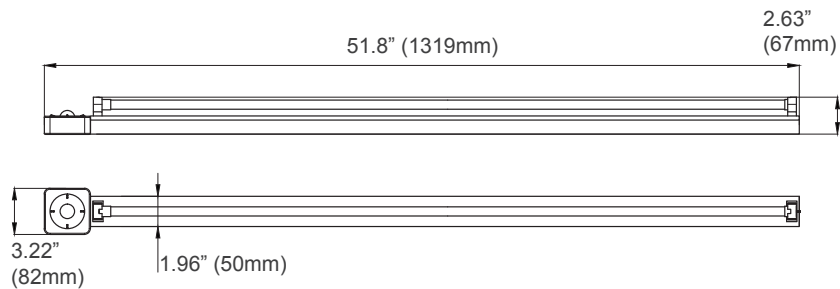


## Dimensions

2-ft



4-ft



Power Wattage	18W/36W	Operating Temperature	32~ +104°F	Lamp Life	9,000 hrs
IP level	IP20	Storage Temperature	-40°F~176°F	UV radiation intensity (2ft)	70μw/cm <sup>2</sup>
Power Factor	0.6	Pressure (kPa)	70 to 106	(4ft)	150μw/cm <sup>2</sup>
Input Voltage	120V / 120-277V	Operating Current (A)	0.28	Dimensions (LxWxH) 2-ft	27.8"x 3.22"x 2.63"
Peak Wavelength	253.7nm	Frequency (Hz)	50/60	Dimensions (LxWxH) 4-ft	51.8"x 3.22"x 2.63"
Beam Angle	120°	Warranty UV Strip Fixture	1-year	Weight	1.54lbs / 2.87lbs

*\*Multiple Voltage for special order only*

### WARNING

Avoid applying heavy pressure to the fixture. UVC may harm your eyes and skin. Do not stay in the environment during usage. Safety glasses and gloves are required when handling UVC products. It is strictly forbidden to operate with electricity "on" during installation. The installation must be carried out by a professional or under the guidance of trained professionals. The lamps require to be unwrapped. Keep away from flammable materials. Please power off machine during replacement of lamps.