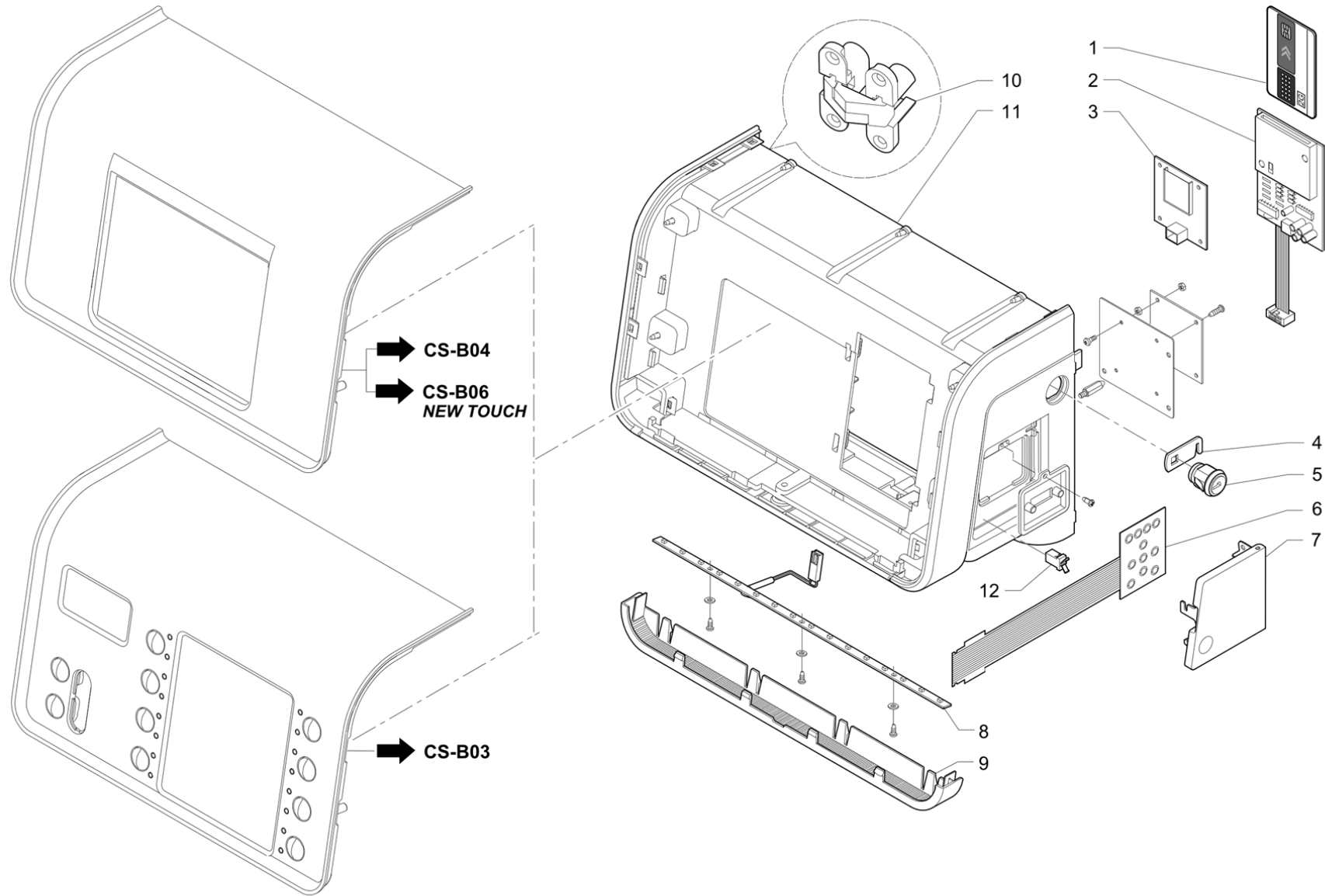
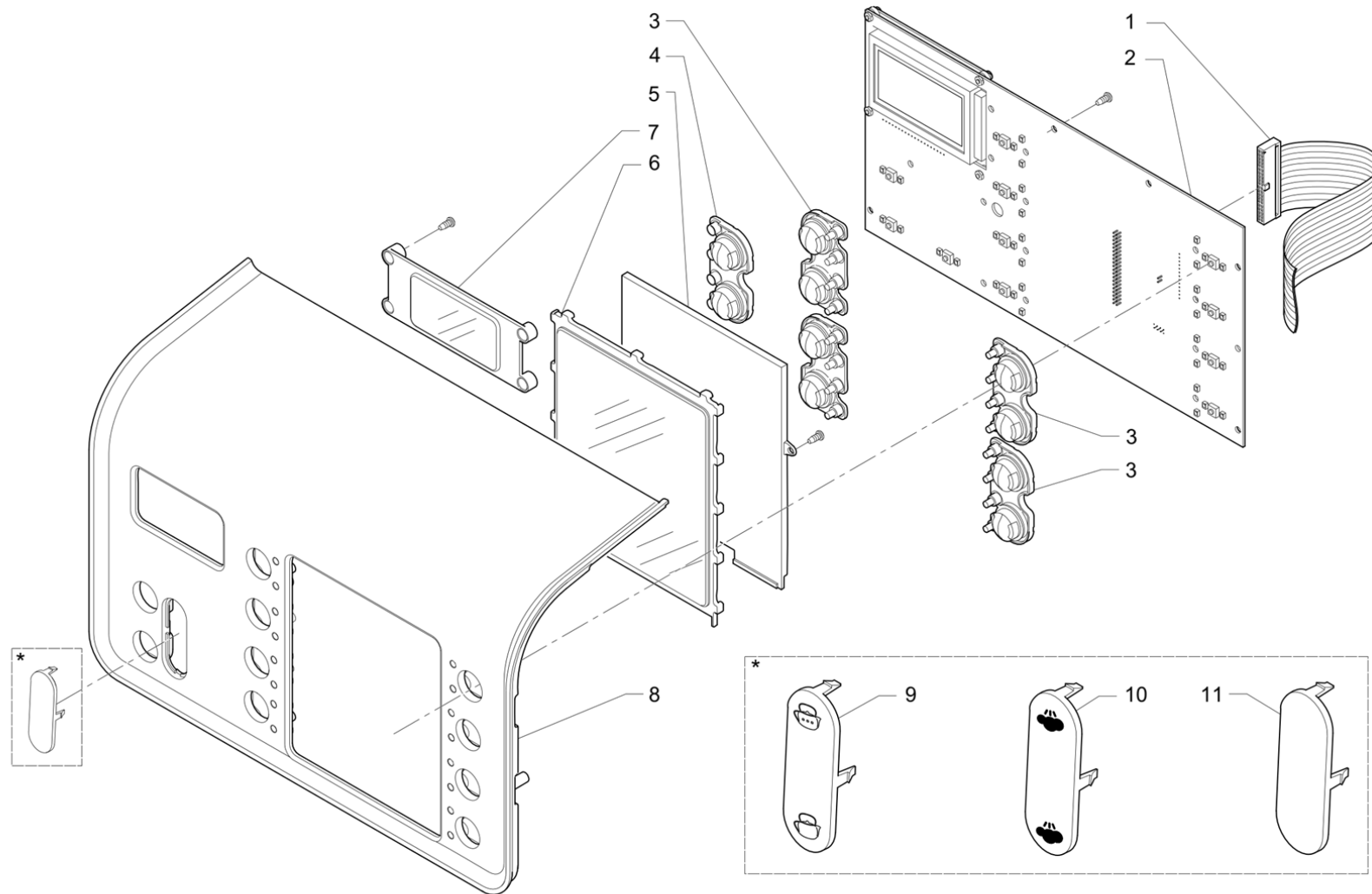


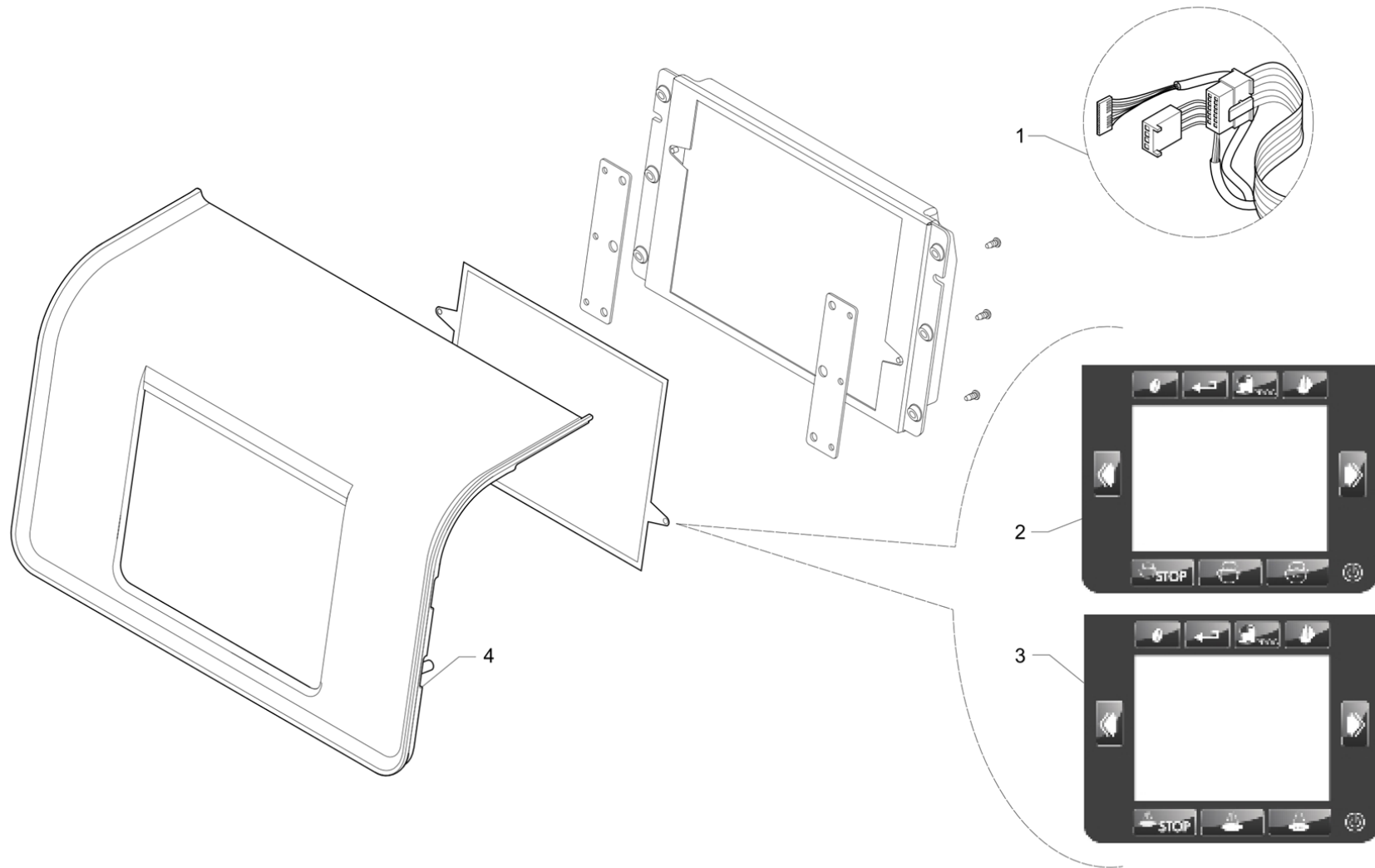
Pos	Part Number	Description	Validity	Notes
1	940468000	FAEMA LABEL		
1	943033000	LABEL BARCODE		
2	943706000	REAR PANEL (BARCODE)		
2	943720000	BLACK BARCODE CAGE		
3	3341133478	SAFETY SWITCH		
4	934289000	MICROSWITCH PANEL KEY		
5	943703000	Q10 LEFT FRONT PANEL		
5	943712000	SLUICE SPOUT WHITE		
6	532802210	UL FOOT		
7	940230000	FOOT		



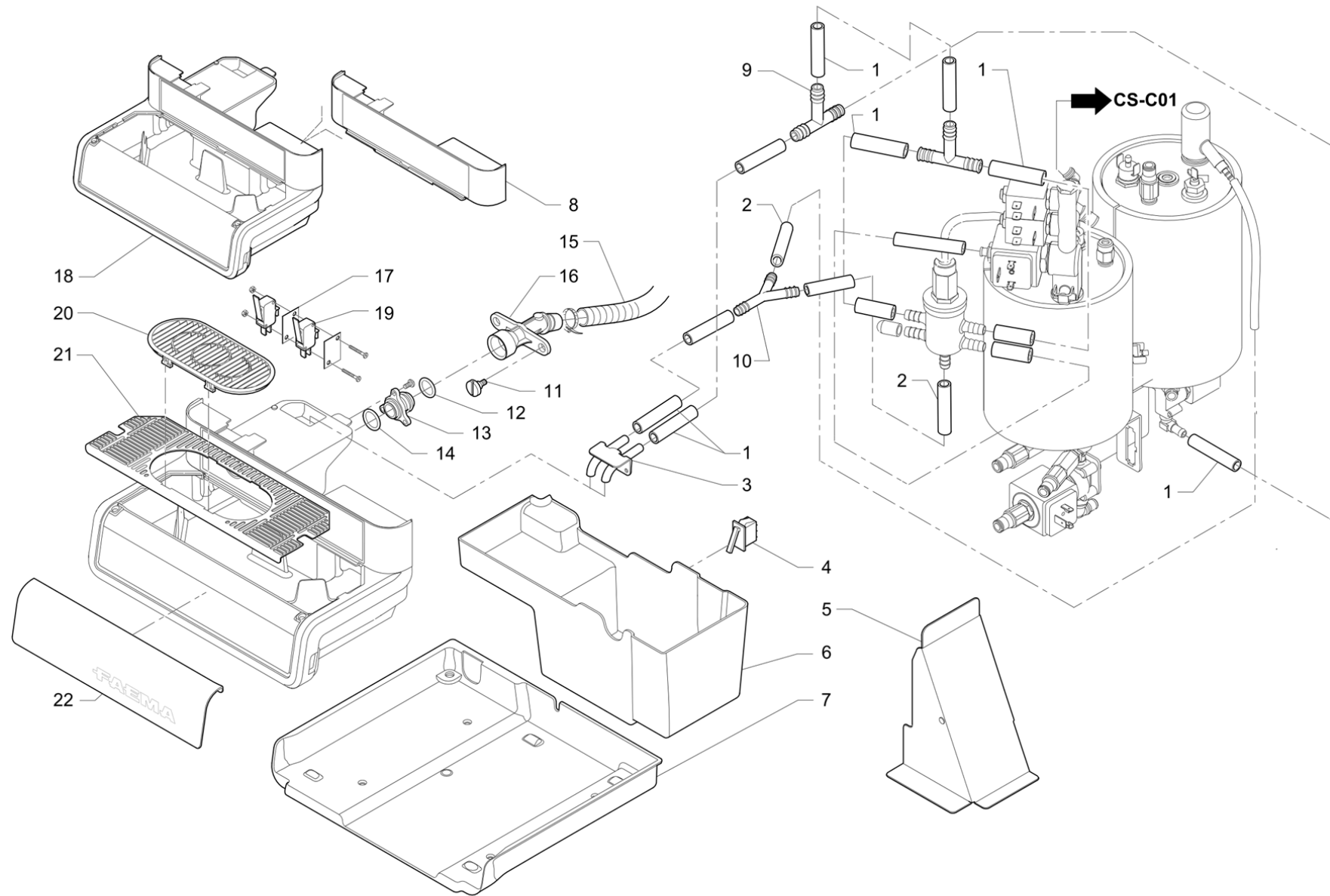
Pos	Part Number	Description	Validity	Notes
1	936990010	SMART CARD TECHNICAL DATA IN/OUT 2G		
2	537058700	CARD CIP READER M2		
	⇌ 431491000	CHIP CARD SENSOR		
3	535572008	SD-CARD INTERFACE BOARD		
4	940020000	BOLT		
5	534194500	LOCK WITH KEY		
6	535580018	BUTTONS PROGRAMMING STRIP		
7	940387000	PROGRAM WHITE CAGE		
7	940006000	PROGRAMMING BLACK CAGE		
8	535583008	LED BOARD Q10		
8	535597008	LED BOARD BARCODE		
9	940011000	PROTECTION GLASS		
10	940017000	HINGE		
11	940860010	BLACK TOUCH PAD PANEL WITH CHROME FRAME		
11	940861010	WITHE TOUCH PAD PANEL WITH CHROME FRAME		
12	532745800	BLOCK DOOR		



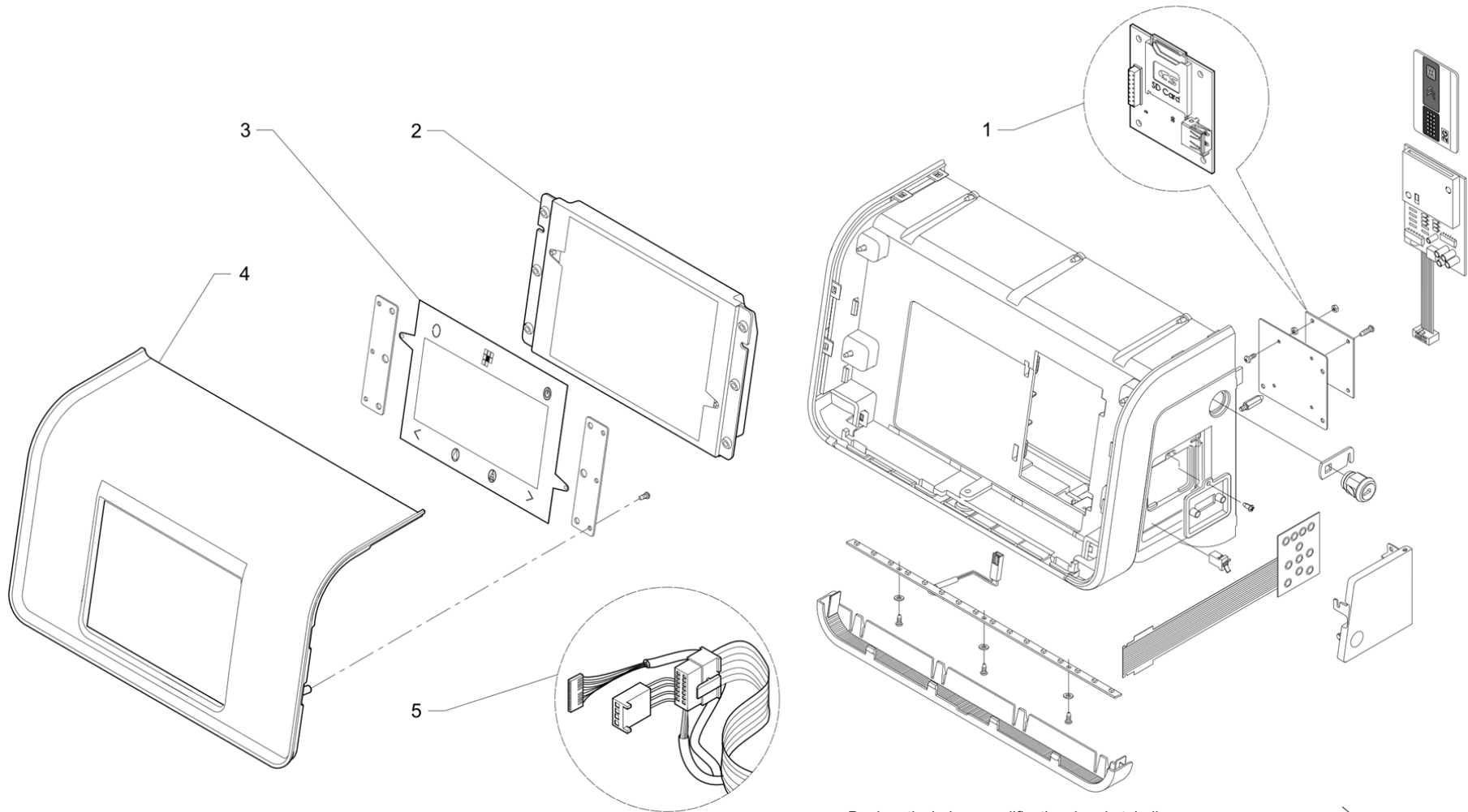
Pos	Part Number	Description	Validity	Notes
1	535736008	Q10 KEYBOARD		
2	537047900	Q10 SELECTION - DISPLAY CARD		
2	537048000	BARCODE SELECTION - DISPLAY CARD		
3	940790000	SELECTIONS PUSH BUTTON		
4	940791000	SERVICES PUSH BUTTON		
5	940005000	CONTRAST		
6	940007000	SEL.PUSH BUTTON TRASPARENT PROTECTION		
7	940009000	DISPLAY PROTECTION		
8	940010000	SELECTIONS CONTROL PANEL (BLACK)		
8	940385000	SELECTIONS CONTROL PANEL (WHITE)		
9	940302000	HOT WATER PUSH BOTTON PROTECTION Q10		
9	940306000	HOT WATER PUSH BOTTON PROTECTION BARCODE		
10	940301000	STEAM PUSH BOTTON PROTECTION Q10		
10	940305000	WITHE STEAM PLUG PANEL		
11	940300000	NEUTRAL BLACK COVER		
11	940388000	NEUTRAL WITHE PANEL		



Pos	Part Number	Description	Validity	Notes
1	535745008	TOUCHSCREEN COMMAND PANEL WIRING		
2	940370000	DISPLAY PROTECTION TOUCH-SCREEN		
3	940372000	LABEL TOUCH S		
4	940013000	Q10 TOUCH-SCREEN FRONT CONTROL PANEL		
4	940386000	BARCODE TOUCH-SCREEN FRONT CONTROL PANEL		



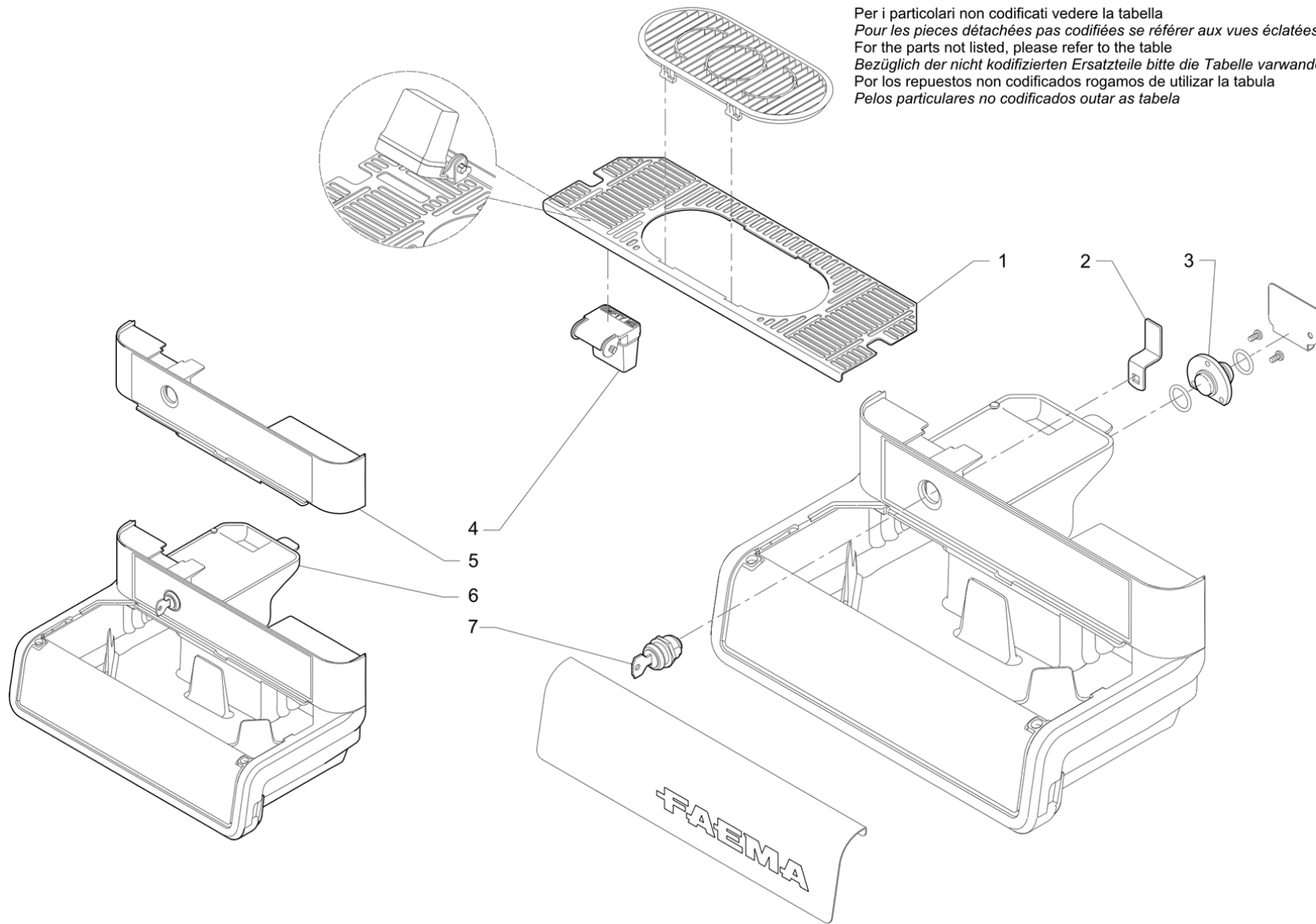
Pos	Part Number	Description	Validity	Notes
1	220000014	SILICON TUBE		
2	220000029	SILICONE PIPE D 7X11		
3	940525000	DRAIN UNION		
4	532022708	MICROSWITCH		
5	940202010	CONVOYER COFFEE-GROUNDS		
6	940204020	COFFEE BOTTOM CONTAINER		
7	940201000	BASE LOWER PLATE		
8	943545000	TRAY UPPER BAND ASSEMBLY BLACK		
8	943546000	TRAY UPPER BAND ASSEMBLY WHITE		
9	532302100	T - FITTING		
10	532302720	Y-UNION		
11	916256000	SCREW M5		
12	401347000	O-RING VITON 15,54X2,62		
13	432132000	DRAIN CONNECTION		
14	402257000	O-RING GASKET 17,13X2,62		
15	940485000	SPIRALLED TUBE 16X22X1500		
16	940028000	DRAIN UNION		
17	940253000	MICROSWITCH INSULATING		
18	943702000	Q10 DRAIN TRAY		
18	943711000	BARCODE DIP TRAY		
19	532022608	MICROSWITCH		
20	940270000	SUPPORT CUPS GRATE		
21	940188010	BASIN GRILL		
22	940273010	FRONT METAL SHEET FAEMA LOGO		



Per i particolari non codificati vedere la tabella
 Pour les pièces détachées pas codifiées se référer aux vues éclatées
 For the parts not listed, please refer to the table
 Bezüglich der nicht kodifizierten Ersatzteile bitte die Tabelle verwenden
 Por los repuestos no codificados rogamos de utilizar la tabula
 Pelos particulares no codificados outar as tabela

➔ **CS-B02**

Pos	Part Number	Description	Validity	Notes
1	538063000	TOUCH SCREEN BOARD		
2	943728010	7" TOUCHSCREEN DISPLAY ASSEMBLY		
3	943160000	LABEL TOUCH DISPLAY		
4	940013000	Q10 TOUCH-SCREEN FRONT CONTROL PANEL		
4	940386000	BARCODE TOUCH-SCREEN FRONT CONTROL PANEL		
5	535745008	TOUCHSCREEN COMMAND PANEL WIRING		

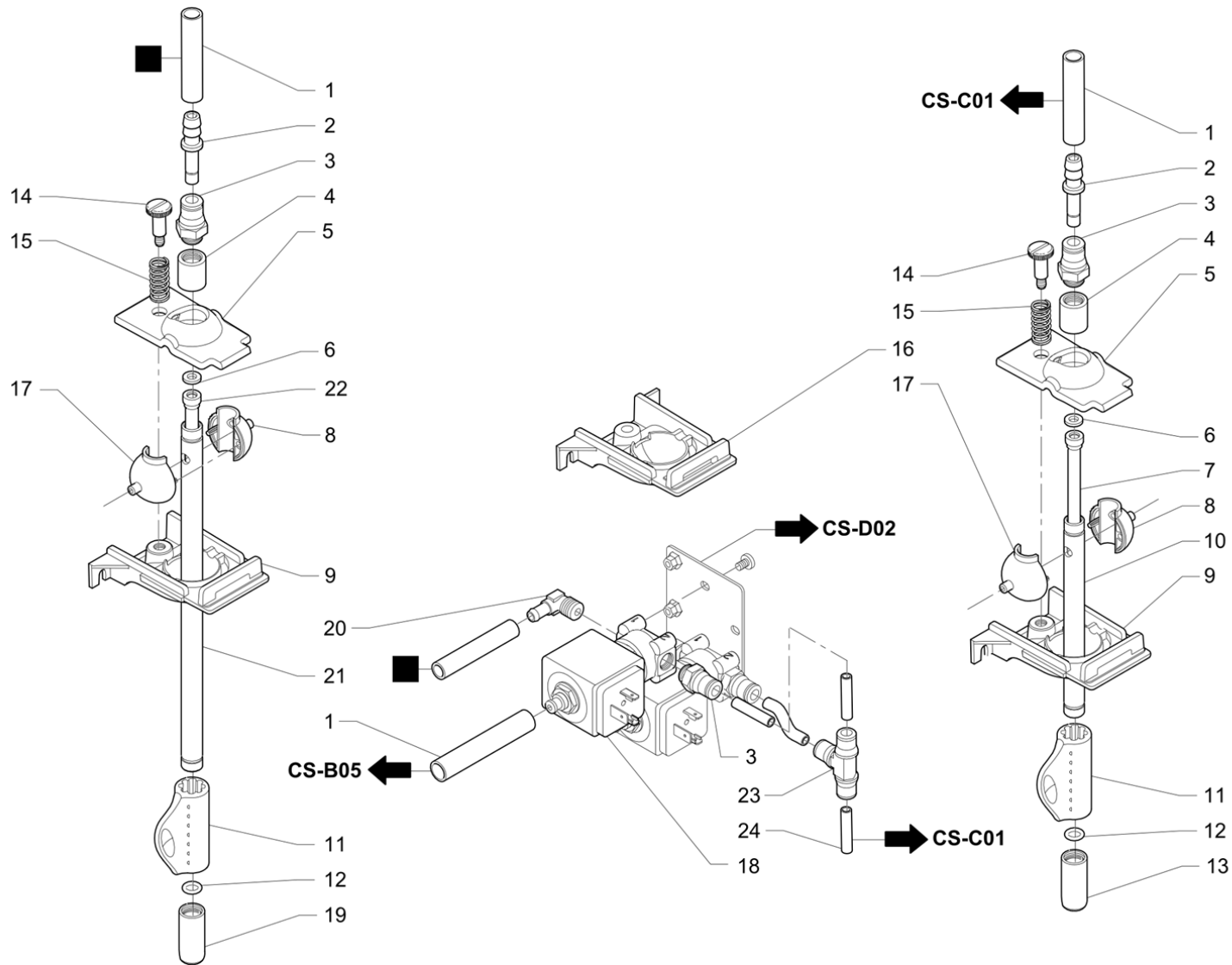


Per i particolari non codificati vedere la tabella
 Pour les pièces détachées pas codifiées se référer aux vues éclatées
 For the parts not listed, please refer to the table
 Bezüglich der nicht kodifizierten Ersatzteile bitte die Tabelle verwenden
 Por los repuestos no codificados rogamos de utilizar la tabula
 Pelos particulares no codificados outar as tabela

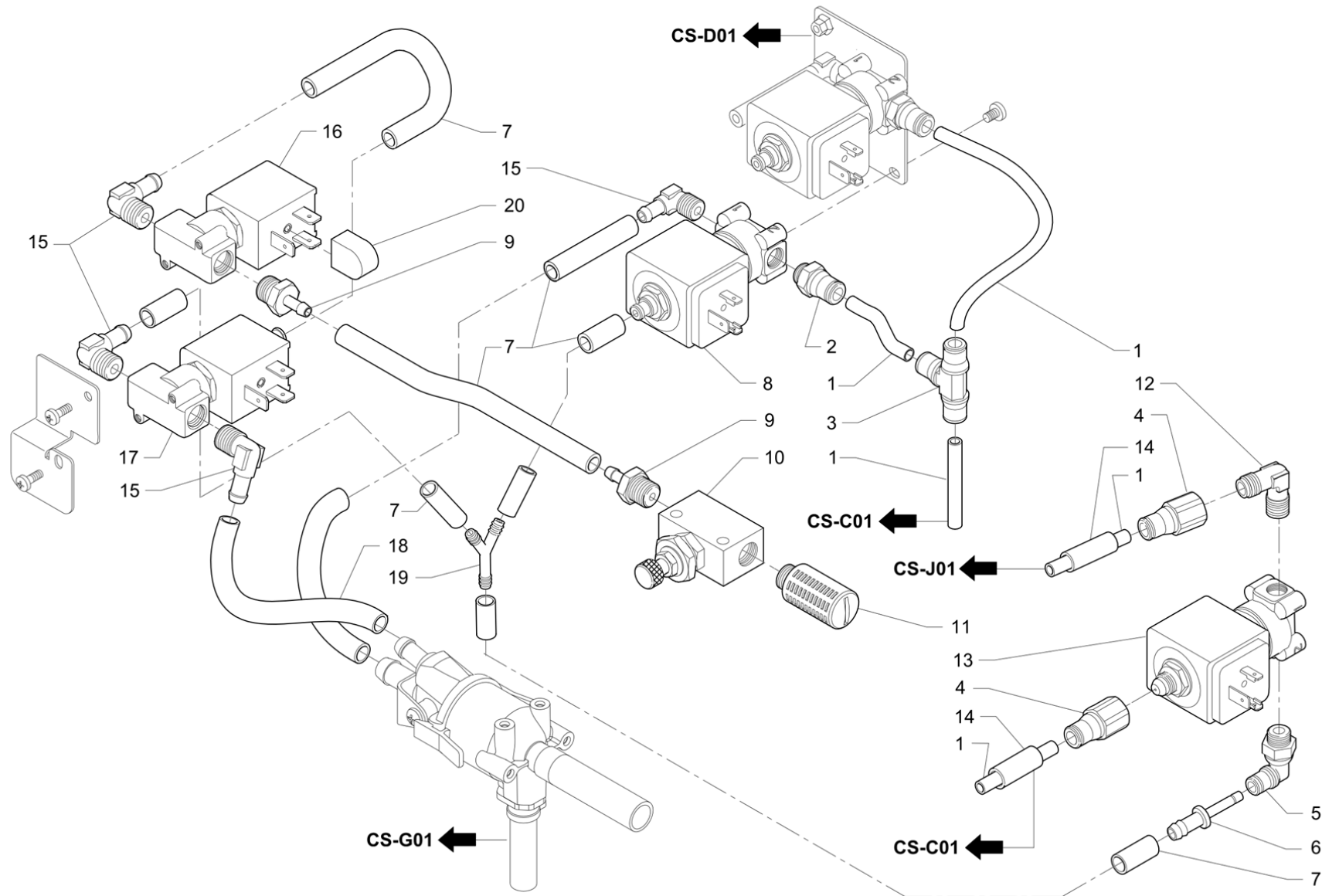
➔ CS-B05

Pos	Part Number	Description	Validity	Notes
1	943505020	BASIN GRID		
2	943060000	LOCK		
3	943017000	DIP TRAY LOCK		
4	943506000	FLOAT		
5	943547000	SPARE UPPER BAND BLACK ASSEMBLY W/LOCK		
5	943548000	SPARE UPPER BAND WHITE ASSEMBLY W/LOCK		
6	943724000	BLACK TRAY		
6	943725000	WHITE TRAY		
7	534194700	STANDARD LOCK		

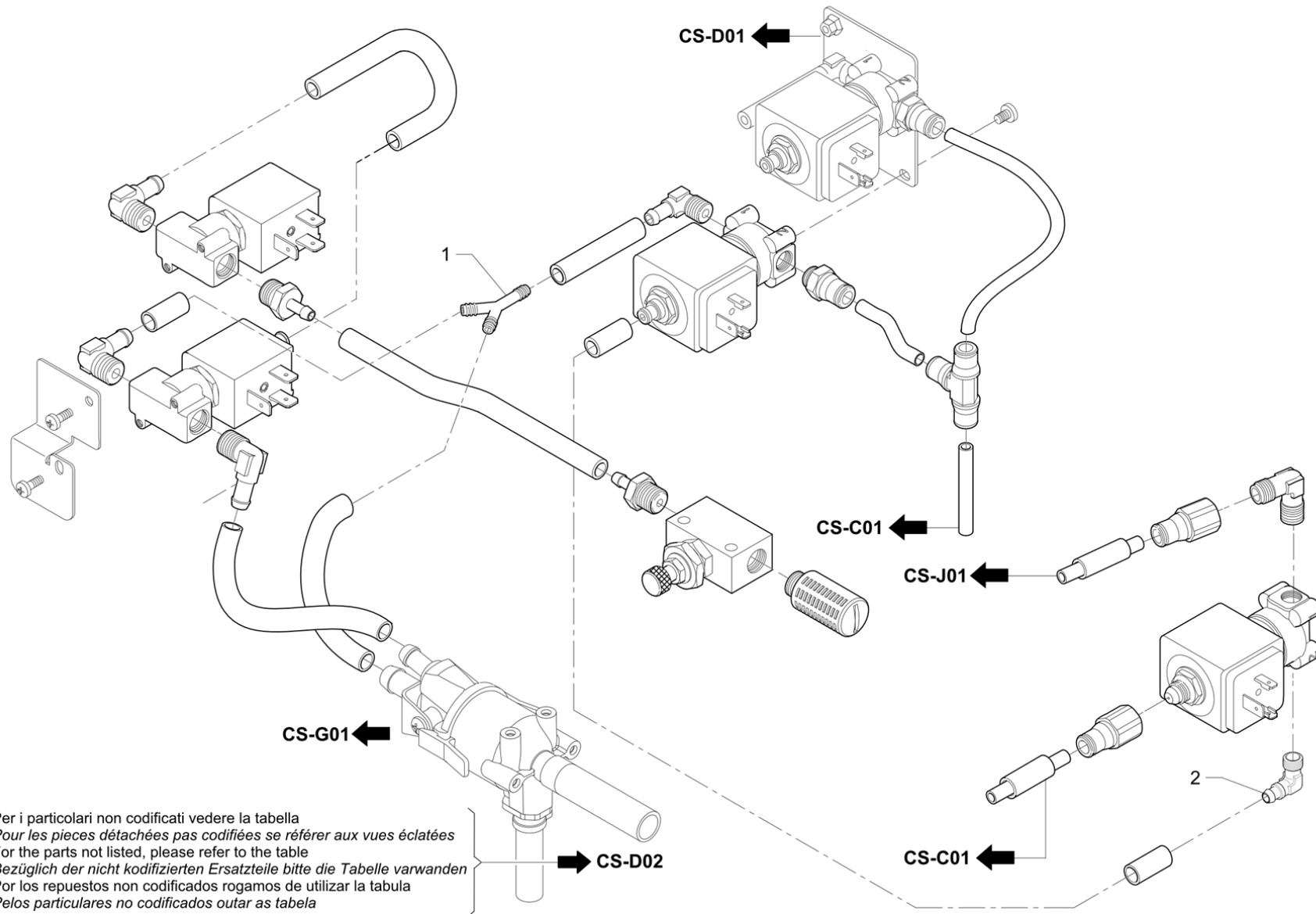
Pos	Part Number	Description	Validity	Notes
1	966492000	SAFETY VALVE PROTECTION		
2	532600700	HOSE ADAPTOR		
3	532746200	CABLE TIE-RAPS WITH SCREW		
4	532392700	SAFETY VALVE 2,3 1/4G		
5	402302000	GASKET 17X13,2X1X5		
6	531195700	TERMOSTAT 140°C		
7	943745000	2 BAR SAFETY VALVE TUBE ASSEMBLY		
8	943202000	EXPANSION VALVE TANK		
9	220000029	SILICONE PIPE D 7X11		
10	590133000	COUNTER NUT 1/8		
11	533897800	SOLENOID VALVE 24V DC		
12	591410008	FITTING		
13	940764000	BOILER ASS. 1900W-230V + SPARE SAFETY VA		
13	940849000	BOILER ASS. 1400W-120V + SPARE SAFETY VA	N:UL	
14	220000022	RISLAN PIPE 4X6		
15	531194900	STEAM BOILER PROBE		
16	531195100	TERMOSTAT 145°C		
17	959714000	COMPLETE LEVEL PROBE		
18	401236000	COPPER GASKET		
19	532651000	FAST UNION D.6		
20	940824010	BOILER 1900W 230 V		
20	940825000	BOILER 1400 W 120 V	N:UL	
21	940077000	SCREW -1/8		
22	542114080	NUT M16X1.5 LOW UNI 5589 ST. STEEL		
23	940064008	REFILLING STEAM BOILER INJECTOR TUBE		
24	940072008	REFILLING COFFEE BOILER INJECTOR TUBE		
25	220000014	SILICON TUBE		
26	531194810	COFFEE BOILER PROBE		
27	940749000	SOLENOID VALVES BLOCK		
28	220000021	TEFLON TUBE D 2,5X4		
29	401235020	GASKET 11X6,5X1,5		
30	532392300	CHECK VALVE		
31	940293010	HOT WATER COUPLER ON BLOCK (ø0.8)		
32	532650600	UNION FOR PIPE 4MM		
33	940750010F	CONN TUBE ASSEMBLY SAFETY VALVE 12 BAR		
34	402270000	BRASS GASKET S05-5-1/8		
35	532392200	EXPANSION VALVE		
36	402228000	O-RING 18,72X2,62		
37	916537010	EXPANSION TANK ASS.		
38	402209000	O-RING GASKET 10,82X1,78 NF		
39	532651800	FAST UNION D.6		



Pos	Part Number	Description	Validity	Notes
1	220000014	SILICON TUBE		
2	940224000	HOSE ADAPTOR FOR QUICK CONNECTION		
3	532650900	UNION FOR TUBE 6 MM		
4	940223000	BUSH		
5	940044000	UPPER SUPPORT PLATE		
6	401196010	GASKET 8,5X4,5X1,5		
7	940550000	RISLAN PIPE 4X6 FOR WATER SPOUT		
8	940076000	RIGHT ARTICULATION		
9	940516000	LOWER SUPPORT PLATE		
9	940539000	LOWER SUPPORT PLATE		
10	940311000	HOT WATER SPOUT		
11	927132010	MANIFOLD		
12	530501200	OR 2025		
13	940221000	HOT WATER OUTPUT		
14	940046000	ADJUSTING SCREW		
15	940261000	SPRING		
16	940206000	UNDER SUPPORT		
16	940393000	WHITE UNDER SUPPORT		
17	940042000	LEFT ARTICULATION		
18	533897700	SOLENOID VALVE 3G 24V DC		
19	940041000	STEAM NOZZLE § 1,2		
20	591410008	FITTING		
21	940040000	STEAM TUBE		
22	940521000	RISLAN PIPE 4X6 FOR STEAM WAND		
23	532652700	FAST UNION "T" FOR PIPE D.6		
24	220000022	RISLAN PIPE 4X6		



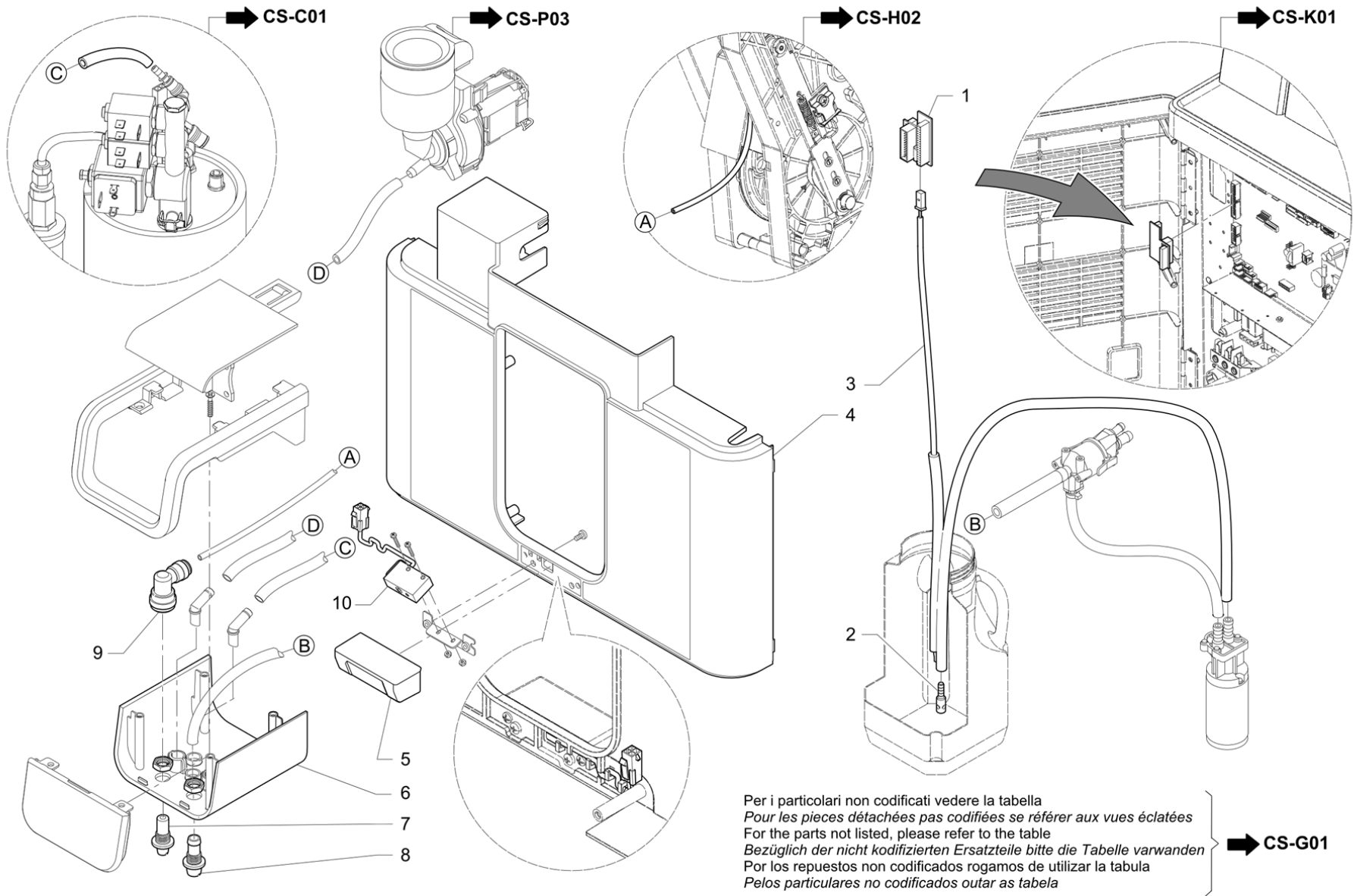
Pos	Part Number	Description	Validity	Notes
1	220000022	RISLAN PIPE 4X6		
2	532650900	UNION FOR TUBE 6 MM		
3	532652700	FAST UNION "T" FOR PIPE D.6		
4	532651000	FAST UNION D.6		
5	532650600	UNION FOR PIPE 4MM		
6	940293010	HOT WATER COUPLER ON BLOCK (ø0.8)		
7	220000014	SILICON TUBE		
8	533897700	SOLENOID VALVE 3G 24V DC		
9	532503800	1/8 GAS UNION		
10	533590700	AIR VALVE		
11	534600100	FILTER AIR CAPP.		
12	555000070R	FITTING		
13	533897600	SOLENOID VALVE 3G 24V DC		
14	220000029	SILICONE PIPE D 7X11		
15	591410008	FITTING		
16	533897900	SOLENOID VALVE 24V DC		
17	533898700	SOLENOID VALVE 3G 24V DC		
18	484391000	4,8X7,9X1000 SILICON PIPE		
19	532304100	Y UNION		
20	940344000	HOOD FOR WIRING NSF	N:NSF	



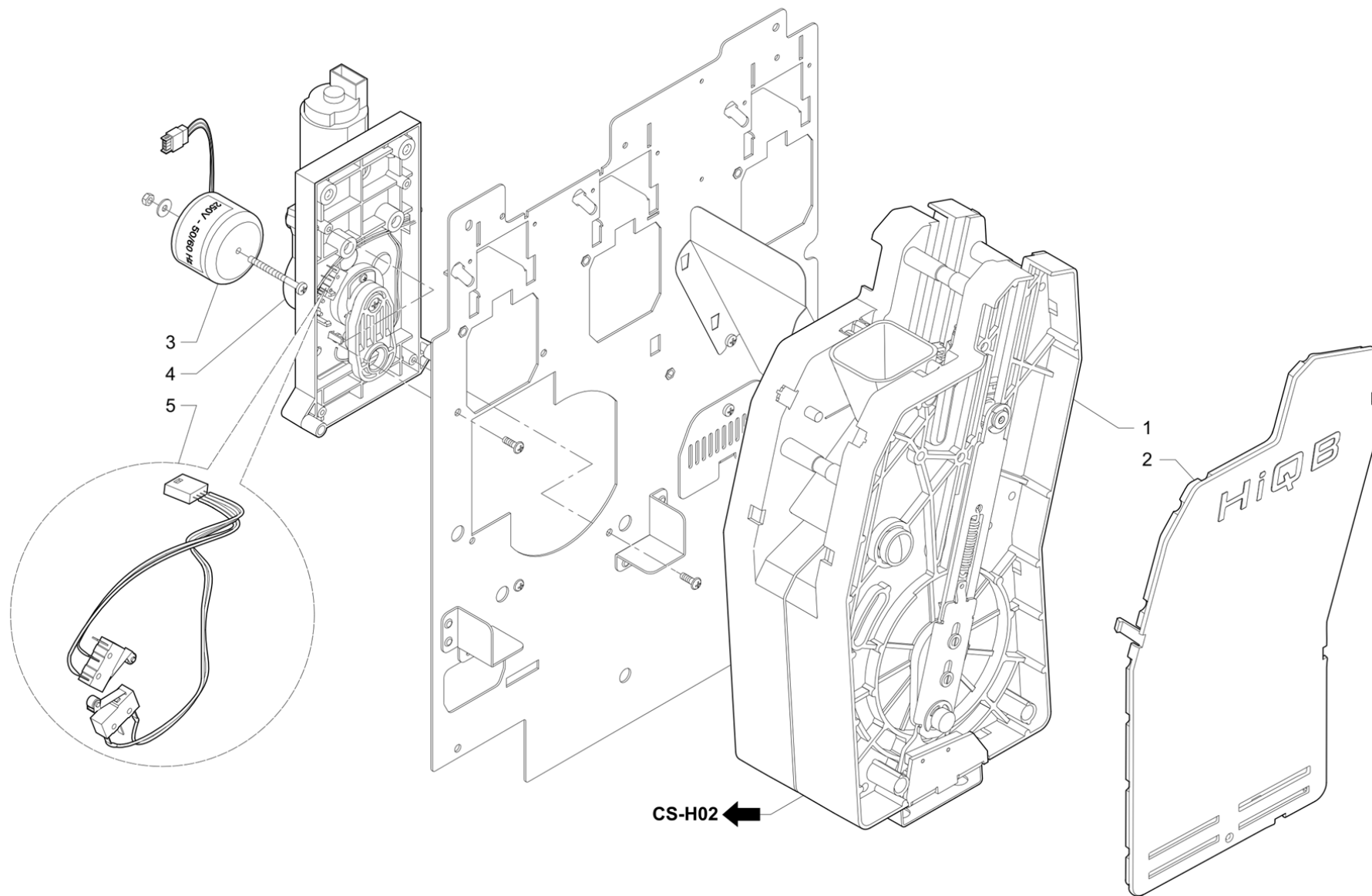
Per i particolari non codificati vedere la tabella
 Pour les pièces détachées pas codifiées se référer aux vues éclatées
 For the parts not listed, please refer to the table
 Bezüglich der nicht kodifizierten Ersatzteile bitte die Tabelle verwenden
 Por los repuestos no codificados rogamos de utilizar la tabula
 Pelos particulares no codificados outar as tabela

Pos	Part Number	Description	Validity	Notes
1	532304100	Y UNION		
2	591410008	FITTING		

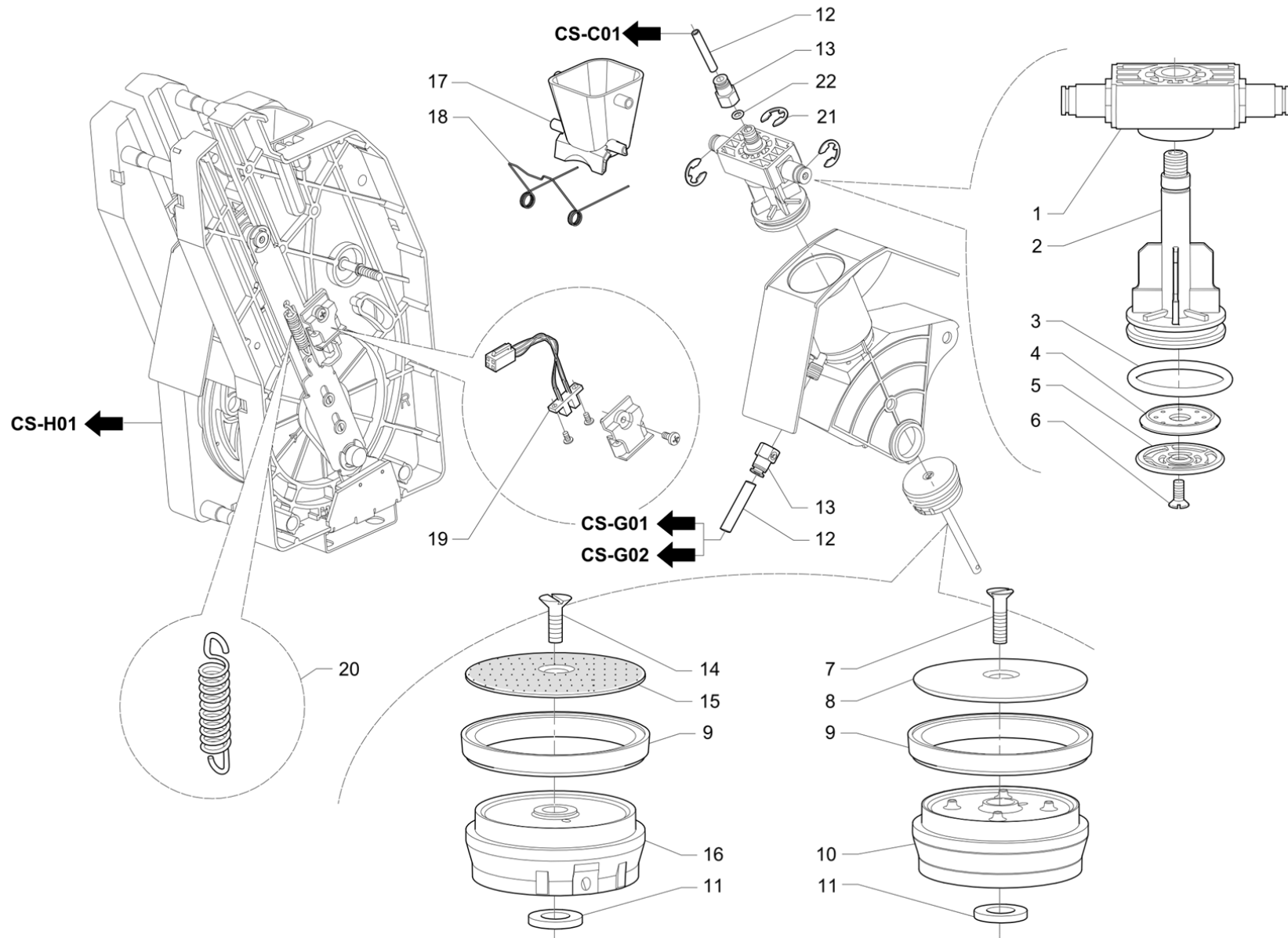
Pos	Part Number	Description	Validity	Notes
1	940729000	COMPLETE MILK FROTHER		
2	220000014	SILICON TUBE		
3	533198900	GEAR PUMP		
4	484391000	4,8X7,9X1000 SILICON PIPE		
5	220000016	SILICONE PIPE D 6X10		
6	940731000	MILK DELIVERY SPOUT		
7	542910040	NUT M10		
8	484381000	UNION		
9	402250000	GASKET 3,68 X 1,78 INTERMEDIATE TS		
10	433083010	MILK FROTHER CLEANING ROD		
11	401398010	O-RING 15,6X1,78		
12	931184000	CP CAPPUCCINO DELIVERY SPOUT CAP		
13	940162010	BLACK YPPER SPOUT COVER		
13	940380010	UPPER WHITE SPOUT		
14	220000021	TEFLON TUBE D 2,5X4		
15	940719000	COFFEE DELIVERY SPOUT		
16	940168000	ONE WAY SPOUT		
17	431421020	MILK COUPLER FOR EXTERNAL FRIDGE		
18	430020020	MAGNET DRIP TRY		
19	432544010	DELIVERY SPOUT SUPPORT		
20	532123500	CABLE CLAMP		
21	940364010	BARCODE SPOUT COVER		
21	943039010	FRONT BLACK COVER SPOUT		
22	940163020	SPOUT LOWER SHELL - BLACK		
22	940381020	LOWER WHITE SPOUT		
23	940161007	SPOUT HANDLE		
24	940170000	PLATE FOR MILKFROTHER		



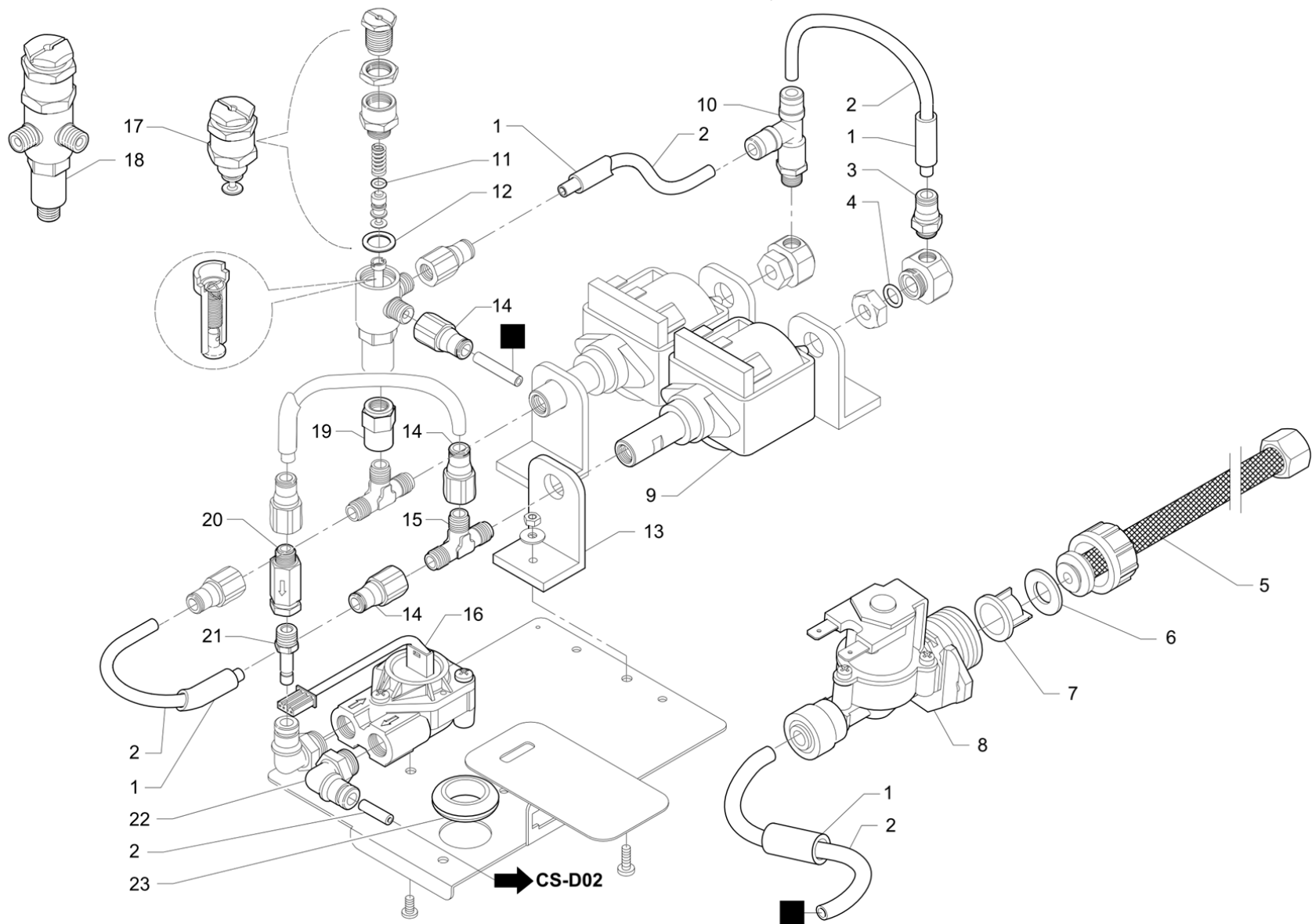
Pos	Part Number	Description	Validity	Notes
1	538042000	MILK LEVEL BOARD		
2	433124000	MILK TUBE STAINLESS		
3	943510000	ASSY PIPE WITH MILK PROBE		
4	943722000	SLUICE SPOUT BLACK		
4	943723000	SLUICE SPOUT WHITE		
5	940173000	PROTECTION FOR SENSOR		
6	943035020	SPOUT LOWER SHELL - BLACK		
6	943038020	SPOUT LOWER SHELL - WHITE		
7	943036000	PIPE FOR SINGLE COFFEE		
8	943037000	PIPE FOR SINGLE MILK		
9	532654800	KNEE		
10	943503000	SENSOR FOR GLASS		



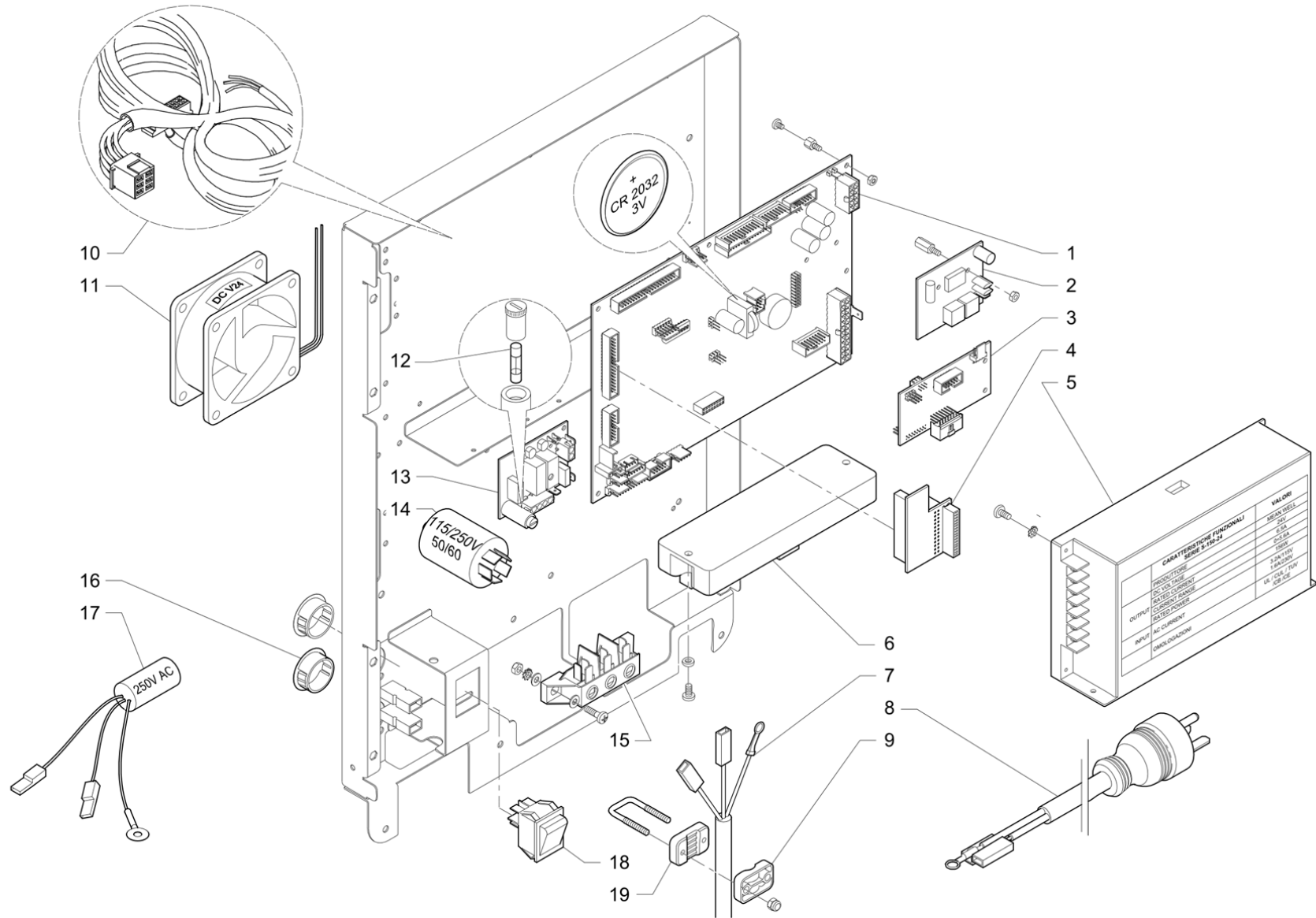
Pos	Part Number	Description	Validity	Notes
1	935717010	GROUP HIQB D48 RIGHT	G:D48	
1	935718010	RIGHT GROUP HIQB D48 WITH MICRO-FILTER	G:D48 MF	
1	935719010	GROUP HIQB D42 RIGHT	G:D42	
1	935720010	RIGHT GROUP HIQB D42 WITH MICRO-FILTER	G:D42 MF	
2	935043020	GROUP COVER		
3	535618000	INDUCTANCE L=2X27MH 2,8A		
4	941953010	RIGHT GEAR MOTOR ASSEMBLY CV SP. PARTS		
5	537049400	COFFEE GROUP WIRE WITH MICRO		



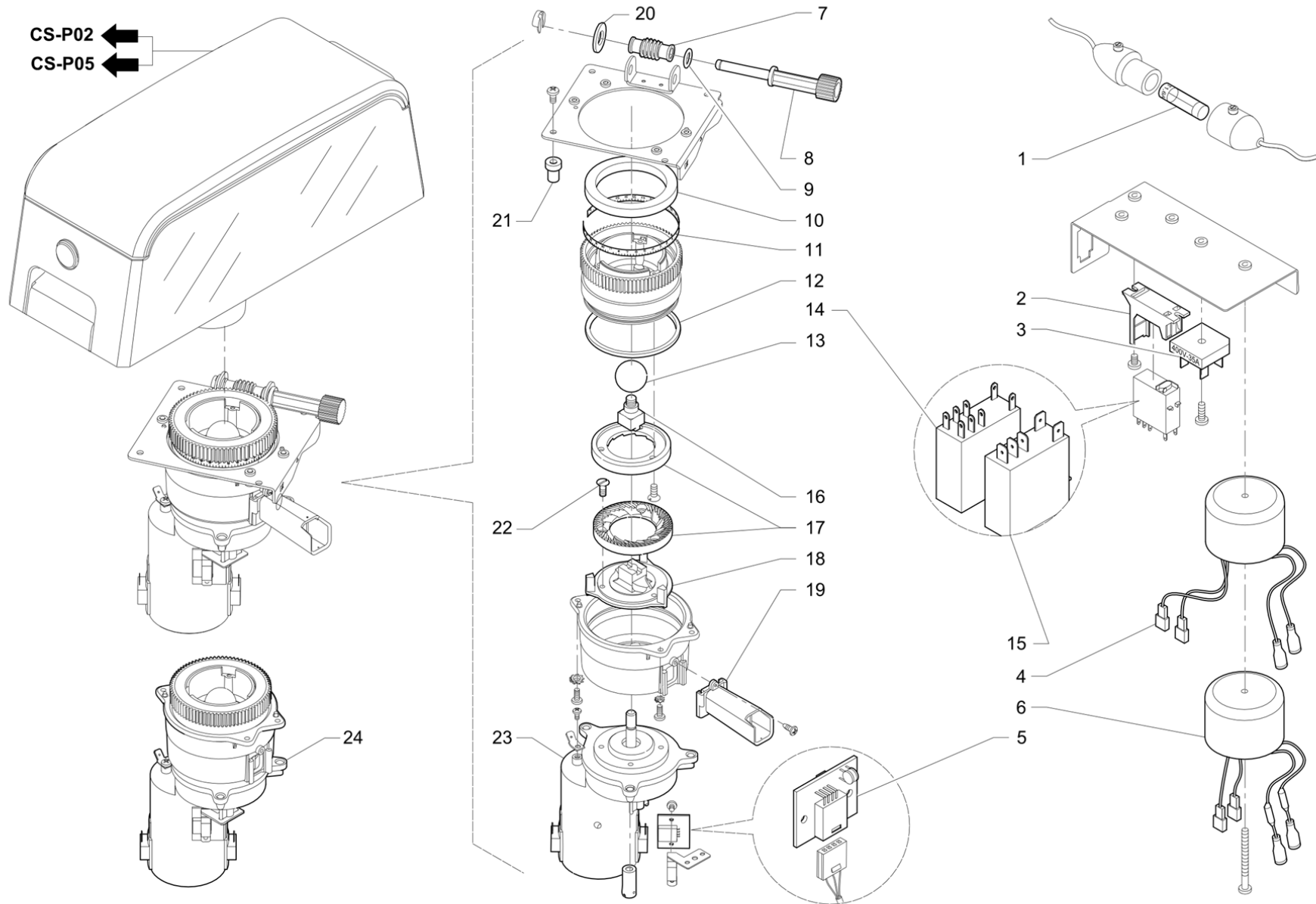
Pos	Part Number	Description	Validity	Notes
1	935516010	UPPER PISTON DOOR ASS. CV NSF		
2	935070000	UPPER PISTON DIAMETER 42 CV NSF	G:D42	
2	935069000	UPPER PISTON §48 NSF	G:D48	
3	402265010	OR 40.87 X 3.53	G:D48	
3	402273010	OR 34.52 X3 .53	G:D42	
4	935062000	SHOWER DISK Ø 48	G:D48	
4	935074000	SHOWER DISK Ø 42	G:D42	
5	461518000	SHOWER	G:D48	
5	935513000	SHOWER §42	G:D42	
6	503604100	S.S. M4X10 T.SV. SCREW		
7	503603120	S.S. M3X12 T.SV. SCREW		
8	631317	FILTER §48	G:D48	
8	935044010	D42 CHAMBER FILTER	G:D42	
9	537049700	TEFLON GASKET	G:D48	
9	935047000	GASKET PISTON §42	G:D42	
10	537049500	DOUBLE DOSE PISTON 48	G:D48	
10	935026020	LOWER PISTON §42	G:D42	
11	204017	WASHER S/S		
12	220000021	TEFLON TUBE D 2,5X4		
13	935708000	FAST UNION		
14	935055000	SCREW		
15	932768000	FILTER § 44 M2	G:D42 MF	
15	933735000	FILTER § 50 M2	G:D48 MF	
16	935052010	LOWER PISTON §48 MICRO-FILTER	G:D48 MF	
16	935053000	LOWER PISTON §42 MICRO-FILTER	G:D42 MF	
17	935060000	DIAM 48 HOPPER NSF		
18	211155	SPRING		
19	431936010	PHOTOELECTRIC CELL WITH WIRING		
20	935001000	CV ROD SPRING -		
21	568810000	RING BENZING DIA 10		
22	530501200	OR 2025		



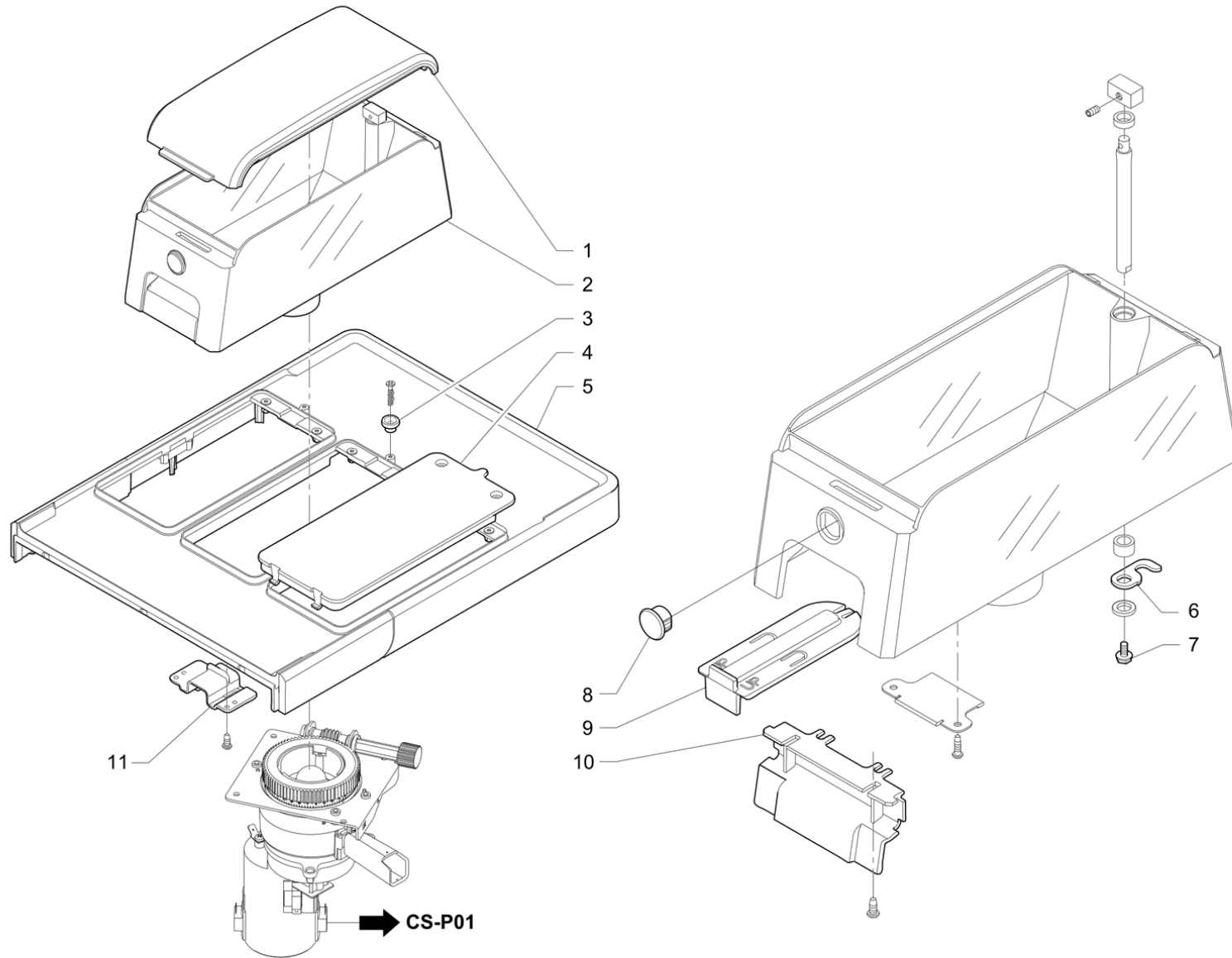
Pos	Part Number	Description	Validity	Notes
1	220000029	SILICONE PIPE D 7X11		
2	220000022	RISLAN PIPE 4X6		
3	532650900	UNION FOR TUBE 6 MM		
4	533199300	OR R6		
5	532305100	PIPE 3/8X3/4 MM 2000		
5	532305200	PIPE L 2000 3/8 3/4 NSF	N:NSF	
6	402276000	GASKET		
7	940332000	INLET FILTER		
8	533897400	SOLENOID VALVE 24V DC 3/4G		
9	533194820	VIBRATION PUMP 120/50-60	N:UL	
9	533197400	VIBRATING PUMP 230V 50-60 HZ		
9	533199600	220V 50/60 HZ VIBRATING PUMP	N:UL	
10	532652900	UNION		
11	402291000	OR 5.7 x 1.9 NBR 70 NSF		
12	4701029003	GASKET		
13	532803900	VIBRATING PUMP SUPPORT		
14	532651000	FAST UNION D.6		
15	555000050R	FITTING		
16	534393100	FLOWMETER WITH ADAPTOR		
17	537036820	BY-P CONFIGURATION		
	⇌ 537036810	BY-PASS WITH VALVE		
18	462715020	BALANCED BY-PASS FORMATION		
19	555000035R	FITTING		
20	532392300	CHECK VALVE		
21	532654700	FAST UNION		
22	532654100	FITTING 6G 1/4		
23	532126000	CABLE GLAND		



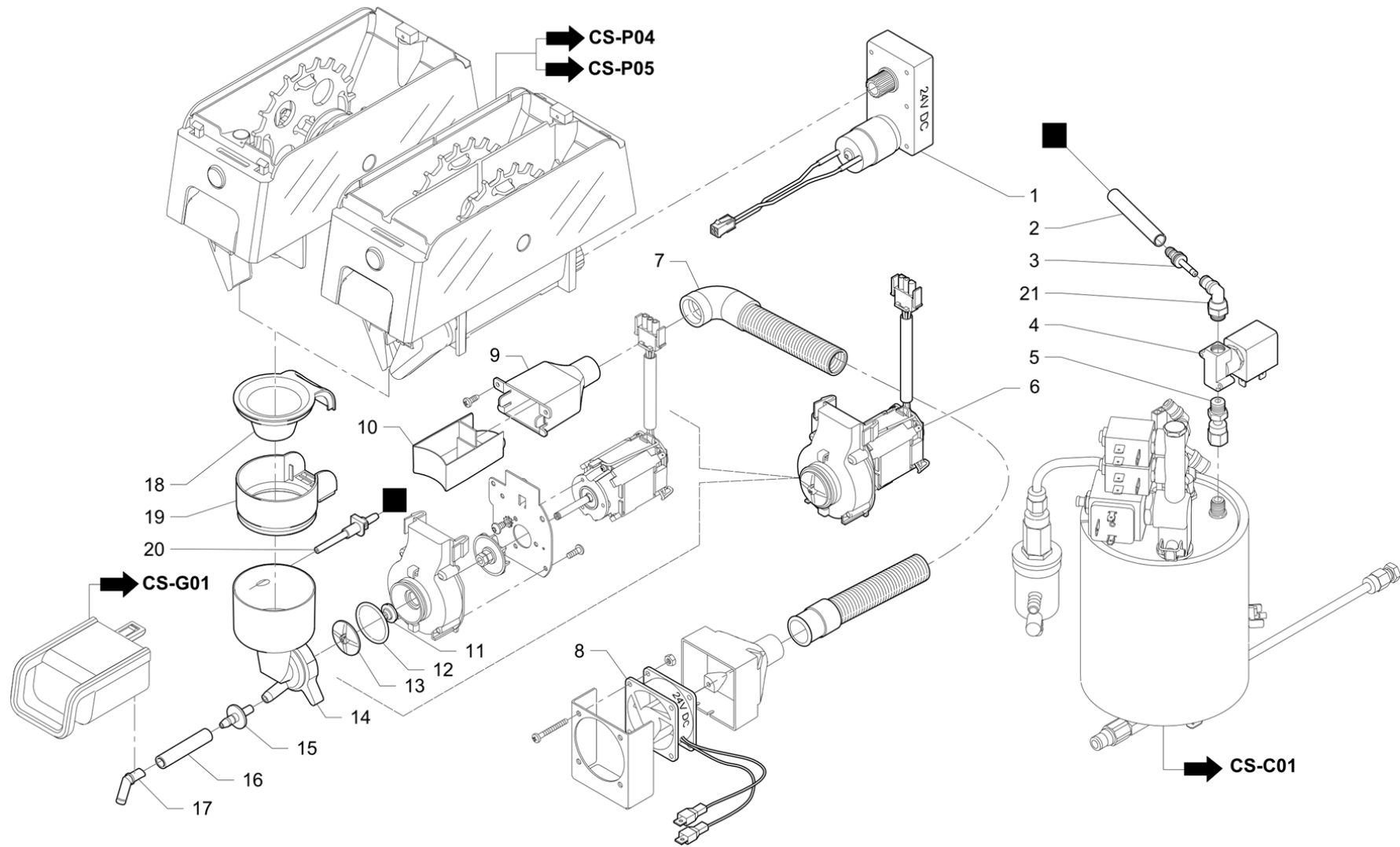
Pos	Part Number	Description	Validity	Notes
1	940793000	24V DC CPU BOARD (button)		
1	940794010	Q10 CPU BOARD/BARCODE		
1	940994010	Q10 CPU BOARD/BARCODE (touch)		
1	940794010	Q10 CPU BOARD/BARCODE		
	⇒ 943756000	CPU Q10 CARD/BARCODE (china vers.)		
2	932879008	24V DC EXPANSION BOARD		
3	537044200	INTERFACE BOARD CPU-SERIALE		
4	538042000	MILK LEVEL BOARD		
5	530990600	TRANSFORMER SWITCHING S-150-25.5		
6	537059100	RESINATE TRIAC BOARD		
	⇒ 431748008	RESIN-BONDED TRIAC BOARD		
7	535759000	SUPPLY WIRE		
7	535807000	MAIN CABLE 200V	M:JP	
7	535823000	MAIN CABLE 100V	M:JP	
7	535767000	WIRE FEEDING	N:UL	
7	535986000	POWER SUPPLY CABLE	N:KTL	
8	535789000	MAIN CABLE 3X12	N:UL	
9	532160400	MOBILE CABLE PRESS		
10	535722028	WIRING		
10	535787000	Q10 CABLING 120V UL	N:UL	
11	940410000	FAN 24V DC		
12	538013008	FUSE T 400 Ma		
13	535530008	CK RELAY BOARD		
14	531404200	PHASE FILTER 115/250V 50/60 Hz		
15	532128200	TERMINAL BOARD		
16	532731800	SCREW PLUG DIAMETER 25,4		
17	535877000	SINGLE-PHASE C FILTER WITH FAST-ON		
18	532022300	SWITCH		
19	532160300	FIXED CABLE PRESS		



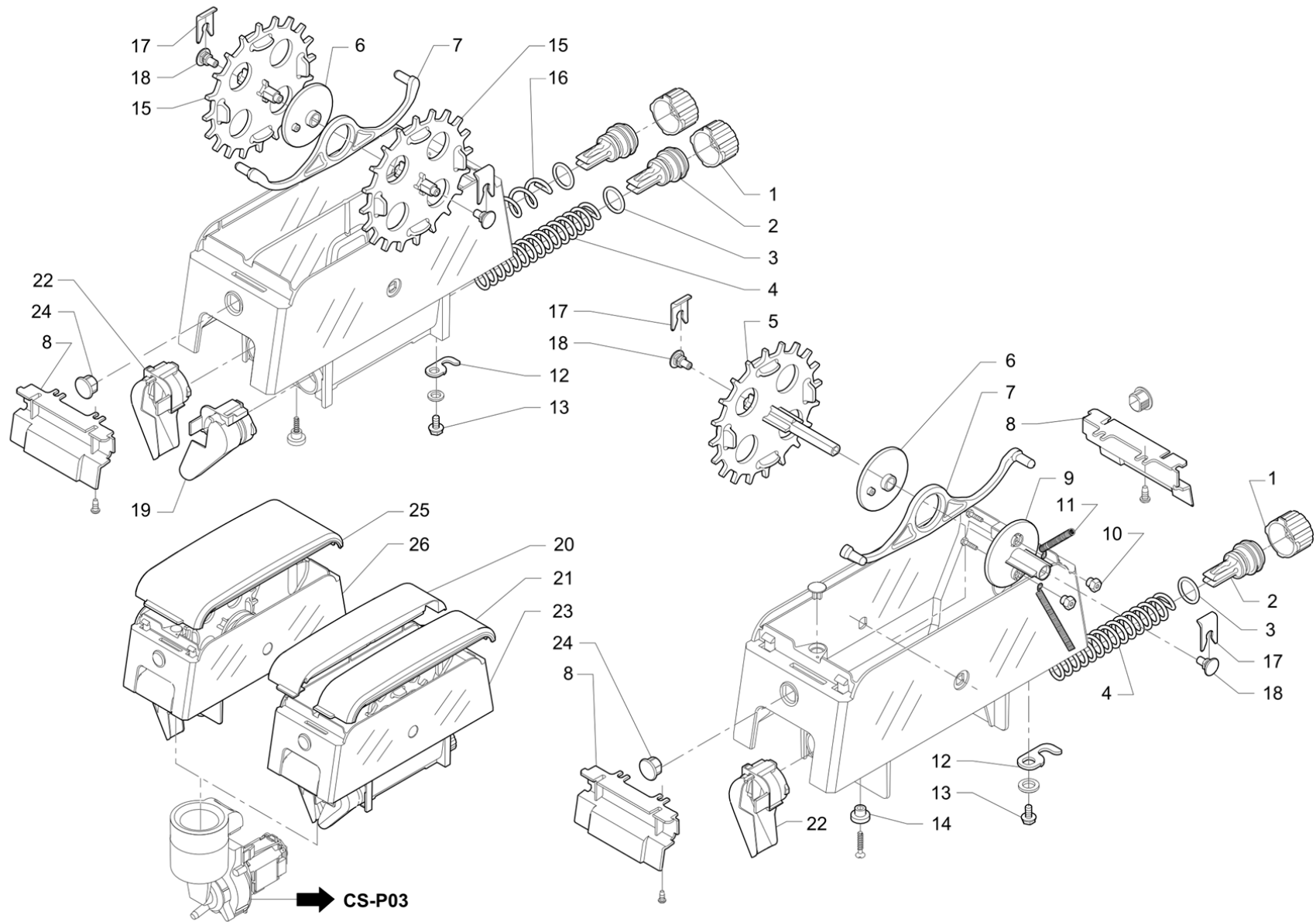
Pos	Part Number	Description	Validity	Notes
1	530104400	FUSE 1 A		
2	531507700	RELAY SOCKET		
3	530901300	DIOD BRIDGE FOR COMPRESSOR		
4	538005000	INDUCTANCE 2X27 MH 2,8A		
5	484336018	ENCODER BOARD		
6	535858000	INDUTTANZA SHAFNER		
7	940087000	SCREW		
8	940088000	GRINDING ADJUSTMENT SCREW SHAFT		
9	402195000	O-RING 9,25X1,78 NF		
10	432327000	GASKET		
11	431137010	GRINDING REGULATION LABEL		
12	936105000	LIP SEAL		
13	916294020	M2 GRINDER BALL		
14	531507600	RELAY 24VAC 8A		
15	531508300	RELAY 16 A		
16	431050020	SQUARE NUT FOR MILESTONES		
17	537041300	GRINDSTONE DIA.63,5 MM		
18	432360028	GRINDSTONE HOLDER RUVECO		
19	940540000	DUCT COFFEE		
20	532715400	WASHER D. 8,4X17X1,6		
21	532803100	RUVEBLOC RUBBER M4X12,6		
22	503604100	S.S. M4X10 T.SV. SCREW		
23	536100200	GRINDER MOTOR 120 V DC	N:UL	
23	537041010	MOTOR 230V DC		
24	940835000	COMPLETE GRINDER		
24	940872000	STAINLESS STEEL GRINDER ASS. 120V	N:UL	



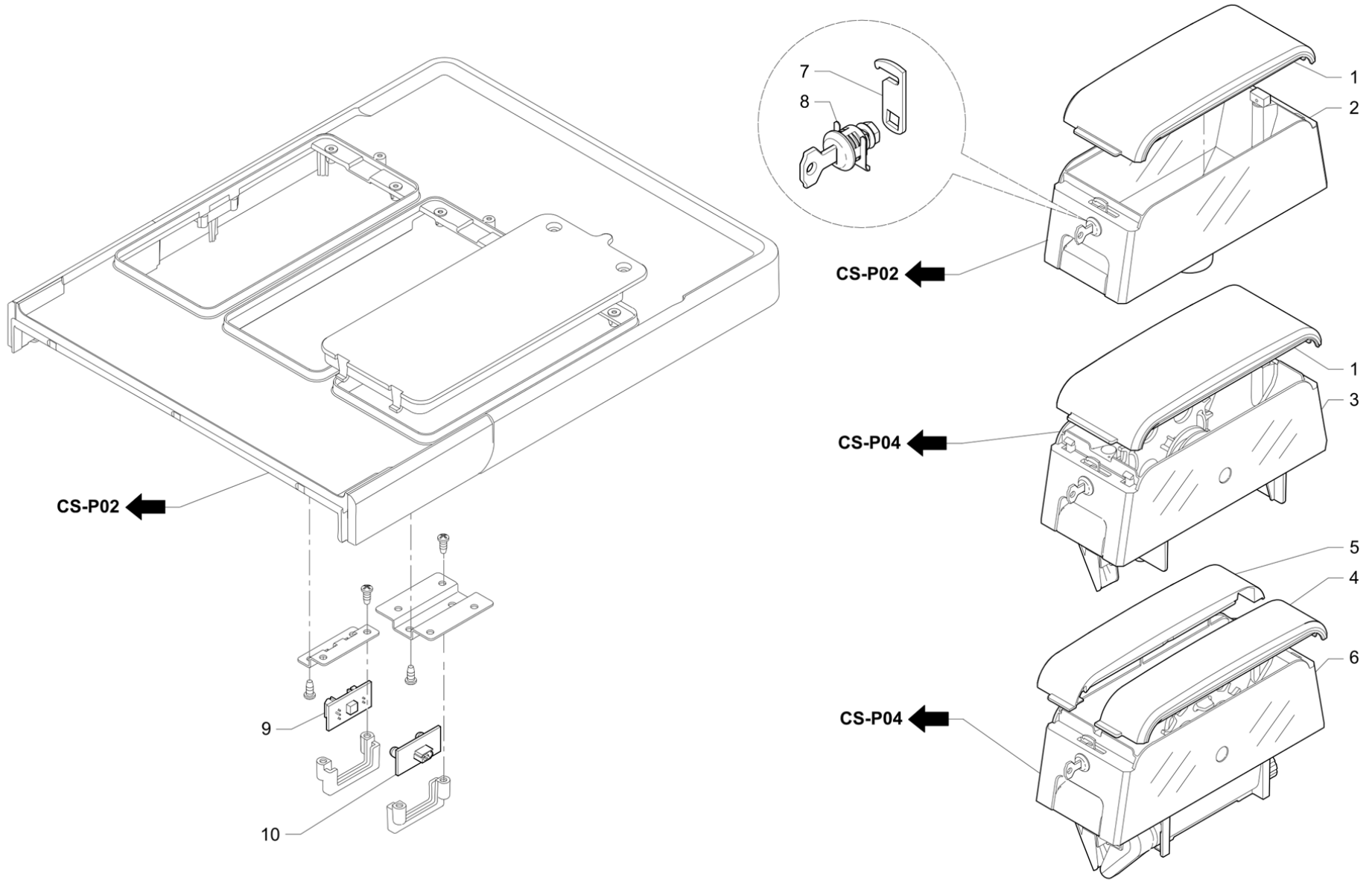
Pos	Part Number	Description	Validity	Notes
1	940102000	COVER HOPPER Q10		
1	940391000	COVER HOPPER BARCODE		
2	943713000	COFFEE HOPPER W/O LOCK		
3	940128016	STOPPER		
4	940137000	SLIDING SHUTTER Q10		
4	940390000	SLIDING SHUTTER BARCODE		
5	940864010	TOP PANEL Q10		
5	940865010	TOP PANEL BARCODE		
6	940138000	PIN		
7	592794001	HEXAGONAL-HEAD SCREW		
8	940134000	CLOSING COVER		
9	940103000	SHUTTER		
10	940127000	HOPPER HANDLE		
11	940104000	SLIDE FOR SHUTTER		



Pos	Part Number	Description	Validity	Notes
1	530891800	RATIOMOTOR Q10 - BARCODE		
2	220000014	SILICON TUBE		
3	940294010	MIXER WATER COUPLER		
4	533897800	SOLENOID VALVE 24V DC		
5	431793000	STRAIGHT UNION		
6	941954000	SP.PART MIXER MOTOR ASS. (120V)	N:UL	
6	943717000	ASSY MIXER		
7	940255000	VACUUM TUBE		
8	940410000	FAN 24V DC		
9	934009010	FIXED INTAKE DRAWER		
10	940296000	TRAY SUCTION (Q10)		
11	402236000	GASKET		
12	402237000	O-RING		
13	934231000	MIXER IMPELLER		
14	943718000	ASSY MIXER AND GEAR		
15	931157000	CHOCOLATE NOZZLE		
16	220000016	SILICONE PIPE D 6X10		
17	940168000	ONE WAY SPOUT		
18	940335000	MIXER SLIDE		
19	934235010	UPPER MIXER BODY		
20	940308000	MIXER REDUCTION (Q10)		
21	532650600	UNION FOR PIPE 4MM		



Pos	Part Number	Description	Validity	Notes
1	940111000	RING RETAINING (Q10) (BC)		
2	940108000	SPRING SUPPORT FOR INSTANT COFFEE		
3	402215000	GASKET		
4	940109000	SPRING FOR INSTANT COFFEE (=9mm)		
5	940119000	GEAR FOR SOLUBLE (SINGLE)		
6	940412000	DISK CAM (Q10) (BC)		
7	940411000	CAM (Q10) (BC)		
8	940127000	HOPPER HANDLE		
9	940413000	COUNTER PLATE FOR CAM (Q10) (BC)		
10	940414000	NUT M3		
11	940462000	AGITATOR SPRING		
12	940138000	PIN		
13	592794001	HEXAGONAL-HEAD SCREW		
14	940128016	STOPPER		
15	940120000	GEAR FOR SOLUBLE (DOUBLE)		
16	940110000	SPRING FOR INSTANT COFFEE (=18mm)		
17	940126000	FIXING CLIP		
18	940125000	PIN FIXING GEAR		
19	943715000	RIGHT SLIDE WITH LOCK		
20	940417000	BLACK SX HOPPER COVER		
20	940419000	SX HOPPER COVER		
21	940416000	BLACK DX HOPPER COVER		
21	940418000	DX HOPPER COVER		
22	943716000	LEFT SLIDE WITH LOCK		
23	943707000	DOUBLE HOPPER Q10/B		
24	940134000	CLOSING COVER		
25	940102000	COVER HOPPER Q10		
25	940391000	COVER HOPPER BARCODE		
26	943708000	HOPPER Q10/B		



Pos	Part Number	Description	Validity	Notes
1	943003000	BLACK HOPPER COVER		
1	943004000	HOPPER COVER		
2	943714000	COFFEE HOPPER WITH LOCK		
3	943710000	COFFEE HOPPER WITH LOCK Q10		
4	940416000	BLACK DX HOPPER COVER		
4	940418000	DX HOPPER COVER		
5	943001000	HOPPER COVER		
5	943002000	HOPPER COVER		
6	943709000	DOUBLE HOPPER Q10/B		
7	943005000	HOPPER LOCK		
8	534194300	STANDARD LOCK		
9	535535008	HOPPER RECEIVING BOARD		
10	535536018	PHOTOCELL TX		