

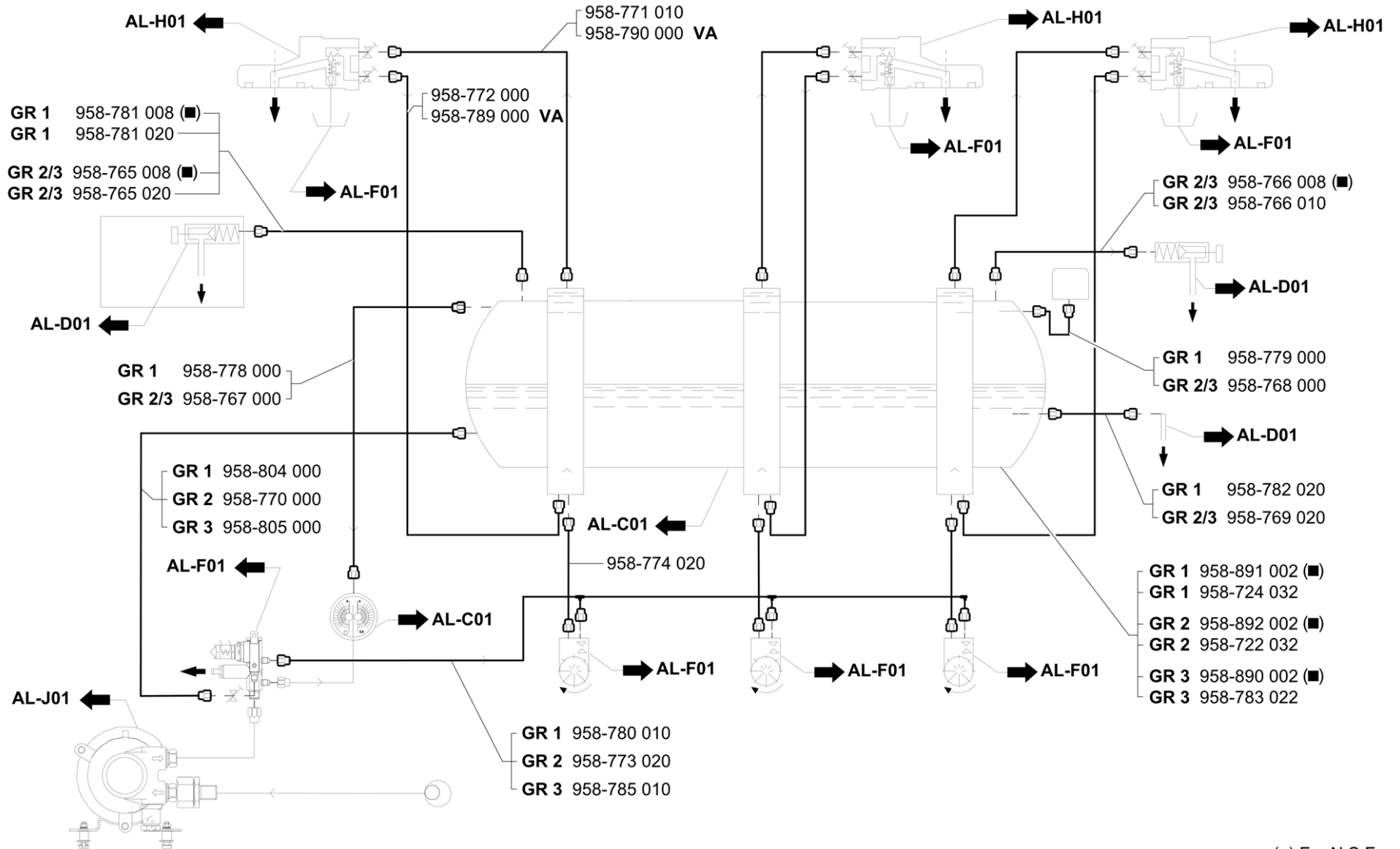
MAQUINA DE CAFE
MÁQUINA DE CAFÉ

COFFEE MACHINE
KAFFEEMASCHINE

MACCHINA PER CAFFÈ
MACHINE A CAFE

DIECI A

CASADIO



(■) For N.S.F.

TUBOS
TUBOS

PIPING
ROHRE

TUBAZIONI
TUBES

ED.
AUSGABE 10 - 12

TAB. AL-A01

Pos	Part Number	Description	Validity	Notes
-	958722032	COMPLETE 2 GR BODY		
-	958724032	PRE-ASSEMBLED AND TESTED BOILER 1 GR CE		
-	958765008	LEFT STEAM TUBE NSF		
-	958765020	LEFT STEAM PIPE		
-	958766008	RIGHT STEAM TUBE NSF		
-	958766010	RIGHT STEAM PIPE		
-	958767000	GAUGE PIPE		
-	958768010	PRESSURE SWITCH TUBE		
	⇌ 958768000	PRESSOSTAT PIPE		
-	958769020	WATER PIPE		
-	958770010	BOILER FILLING TUBE 2 GROUPS		
	⇌ 958770000	BOILER INLET PIPE 2GR		
-	958771010	UPPER GROUP PIPE		
-	958772000	LOWER GROUP PIPE		
-	958773030	FAN RAMP 2 GROUPS		
	⇌ 958773020	2-GR TUBE VOLUMETRIC COUNT.		
-	958774030	BOILER FAN TUBE		
	⇌ 958774020	FLOWMETER-BOLER PIPE		
-	958778010	PRESSURE GAUGE TUBE 1 GROUP		
	⇌ 958778000	1 GROUP GAUGE PIPE		
-	958779010	PRESSURE SWITCH TUBE 1 GROUP		
	⇌ 958779000	1 GROUP GAUGE PIPE		
-	958780010	FLOWMETER PIPE		
-	958781008	STEAM TUBE 1GR NSF		
-	958781020	LEFT PIPE		
-	958782020	INLET WATER PIPE		
-	958783022	COMPLETE 3 GR BOILER		
-	958785020	FAN RAMP 3 GROUPS		
	⇌ 958785010	3-GR TUBE VOLUMETRIC COUNT.		
-	958789000	LOWER GROUP PIPE FOR HIGH VERSION		
-	958790000	UPPER GROUP PIPE FOR HIGH VERSION		
-	958804010	BOILER FILLING TUBE 1 GROUP		
	⇌ 958804000	INLET BOILER 1 GR PIPE		
-	958805010	BOILER FILLING TUBE 3 GROUPS		
	⇌ 958805000	INLET BOILER 3 GR PIPE		
-	958890002	COMPLETE TESTED BOILER 3GR NSF		
-	958891002	COMPLETE TESTED BOILER 1GR NSF		
-	958892002	COMPLETE TESTED BOILER 2GR NSF		

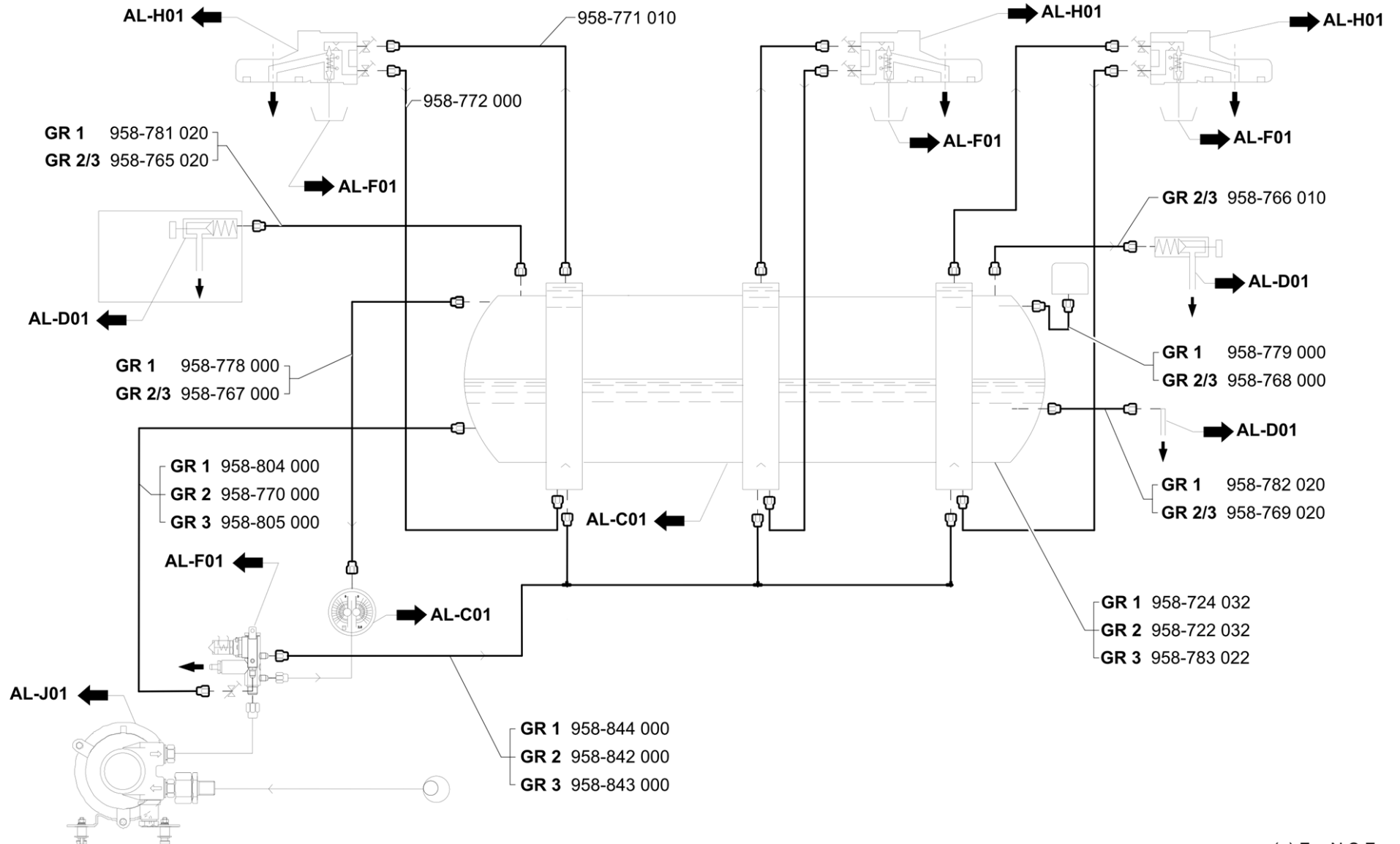
MAQUINA DE CAFE
MÁQUINA DE CAFÉ

COFFEE MACHINE
KAFFEEMASCHINE

MACCHINA PER CAFFÈ
MACHINE A CAFE

DIECI S

CASADIO



(■) For N.S.F.

TUBOS
TUBOS

PIPING
ROHRE

TUBAZIONI
TUBES

ED. AUSGABE 10 - 12

TAB. AL-A02

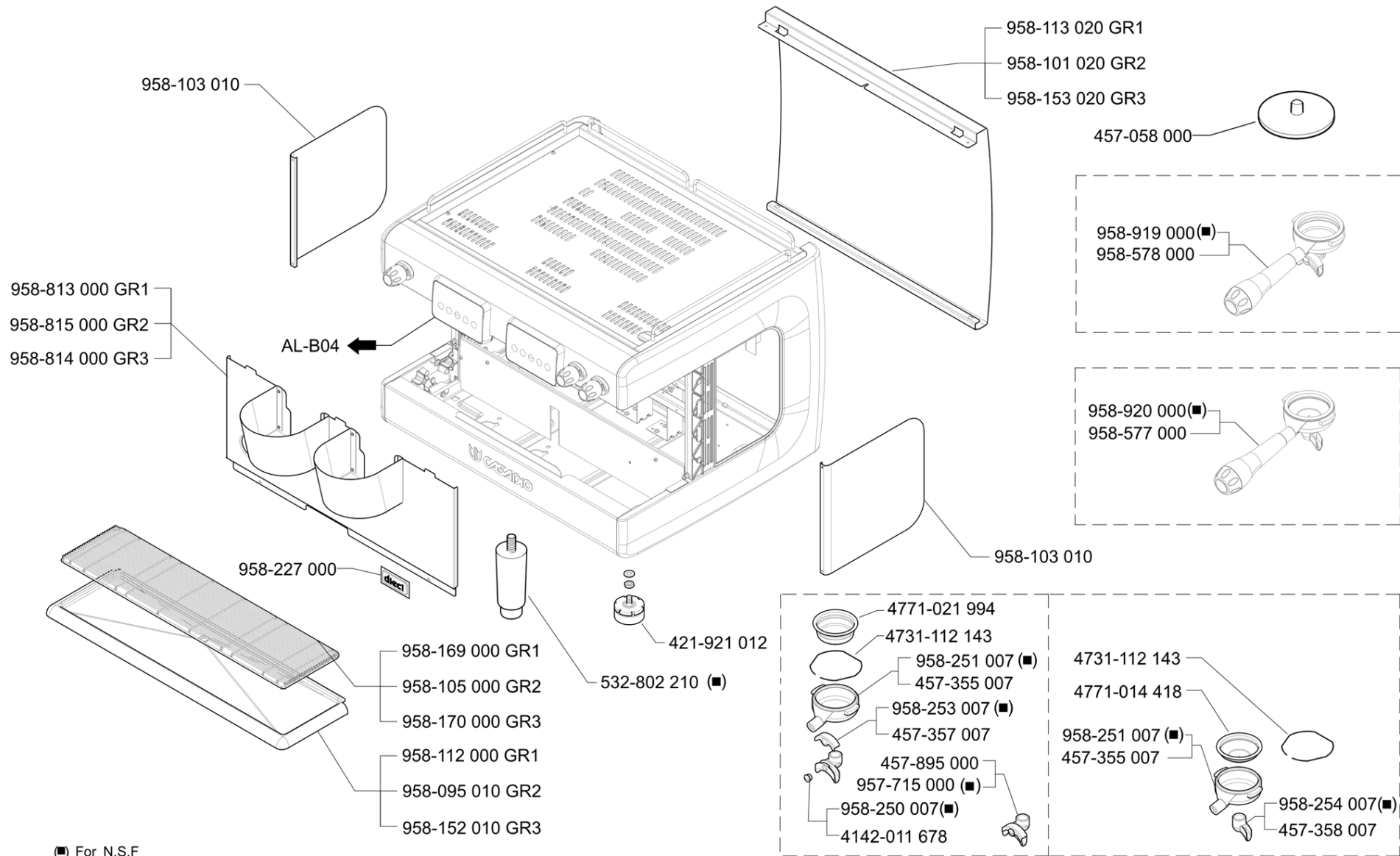
Pos	Part Number	Description	Validity	Notes
-	958722032	COMPLETE 2 GR BODY		
-	958724032	PRE-ASSEMBLED AND TESTED BOILER 1 GR CE		
-	958765020	LEFT STEAM PIPE		
-	958766010	RIGHT STEAM PIPE		
-	958767000	GAUGE PIPE		
-	958768010	PRESSURE SWITCH TUBE		
	⇒ 958768000	PRESSOSTAT PIPE		
-	958769020	WATER PIPE		
-	958770010	BOILER FILLING TUBE 2 GROUPS		
	⇒ 958770000	BOILER INLET PIPE 2GR		
-	958771010	UPPER GROUP PIPE		
-	958772000	LOWER GROUP PIPE		
-	958778010	PRESSURE GAUGE TUBE 1 GROUP		
	⇒ 958778000	1 GROUP GAUGE PIPE		
-	958779010	PRESSURE SWITCH TUBE 1 GROUP		
	⇒ 958779000	1 GROUP GAUGE PIPE		
-	958781020	LEFT PIPE		
-	958782020	INLET WATER PIPE		
-	958783022	COMPLETE 3 GR BOILER		
-	958804010	BOILER FILLING TUBE 1 GROUP		
	⇒ 958804000	INLET BOILER 1 GR PIPE		
-	958805010	BOILER FILLING TUBE 3 GROUPS		
	⇒ 958805000	INLET BOILER 3 GR PIPE		
-	958842010	EXCHANGER TUBE S2		
	⇒ 958842000	EXCHANGER TUBE S2		
-	958843010	EXCHANGER TUBE S3		
	⇒ 958843000	EXCHANGER TUBE S3		
-	958844010	EXCHANGER TUBE S1		
	⇒ 958844000	EXCHANGER S1 PIPE		

MAQUINA DE CAFE
MÁQUINA DE CAFÉ

COFFEE MACHINE
KAFFEE MASCHINE

MACCHINA PER CAFFÈ
MACHINE A CAFE

DIECI A/S



(■) For N.S.F

CARROCERIA
ESTRUTURA

COACHWORK
KAROSSERIE

CARROZZERIA
CARROSSERIE

ED.
AUSGABE 01 - 10

TAB. AL-B01

Pos	Part Number	Description	Validity	Notes
-	4142011678	SPOUT HOLE CLOSING PLUG		
-	421921012	FOOT		
-	457058000	DISK CLEANING GROUP		
-	457355017	FILTERHOLDER BODY		
	⇄ 457355007	FILTER-HOLDER BODY		
-	457357007	SPOUT COVER		
-	457358017	1 WAY SPOUT		
	⇄ 457358007	SPOUT 1 CUP FOREIGN		
-	457895020	SPOUT DOUBLE SHORT		
	⇄ 457895000	SPOUT DOUBLE SHORT		
-	457874000	SPRING FOR LOCKING THE COFFEE FILTER		
	⇄ 4731112143	SPRING FOR FILTERHOLDER		
-	457367000	1-CUP FILTER LOW		
	⇄ 4771014418	1-CUP FILTER LOW		
-	457369000	2-CUP FILTER		
	⇄ 4771021994	2-CUP FILTER		
-	532802210	UL FOOT		
-	457895020	SPOUT DOUBLE SHORT		
	⇄ 957715000	SPOUT DOUBLE SHORT NSF		
-	958095010	CUP TRAY GR2		
-	958101020	BACK PANEL WITH PLATE 2GR		
-	958103010	SIDE CENTRAL PANEL		
-	958105000	GRATED CUP TRAY 2GR		
-	958112000	CUP TRAY GR1		
-	958113020	BACK PANEL WITH PLATE 1GR		
-	958152010	CUP TRAY GR3		
-	958153020	BACK PANEL WITH PLATE 3GR		
-	958169000	GRATED CUP TRAY 1GR		
-	958170000	GRATED CUP TRAY 3GR		
-	958227000	"DIECI" STICKER		
-	958250007	SPOUT HOLE CLOSING PLUG NF		
-	457395017F	FILTER-HOLDER BODY NSF		
	⇄ 958251007	FILTER-HOLDER BODY NF		
-	958253007	SPOUT COVER NF		
-	958254017	1 WAY SPOUT		
	⇄ 958254007	SPOUT ONE WAY NF		
-	958577080F	1-WAY FILTER-HOLDER		
	⇄ 958577000	FILTERHOLDER 1 CUP		
-	958578080F	2-WAY FILTER-HOLDER		
	⇄ 958578000	FILTERHOLDER 2 CUPS		
-	958813000	FRONT PANEL 1 GR VB RIC		
-	958814000	FRONT PANEL 3 GR VB RIC.		
-	958815000	FRONT PANEL 2 GR VB RIC.		
-	957782020F	2-WAY NSF FILTER-HOLDER		
	⇄ 958919000	FILTERHOLDER 2 CUPS NF		

Pos	Part Number	Description	Validity	Notes
-	957783020F	372 (E) NSF 1-WAY FILTER-HOLDER LOW COST		
	⇒ 958920000	FILTERHOLDER 1 CUP DIPL. NF		

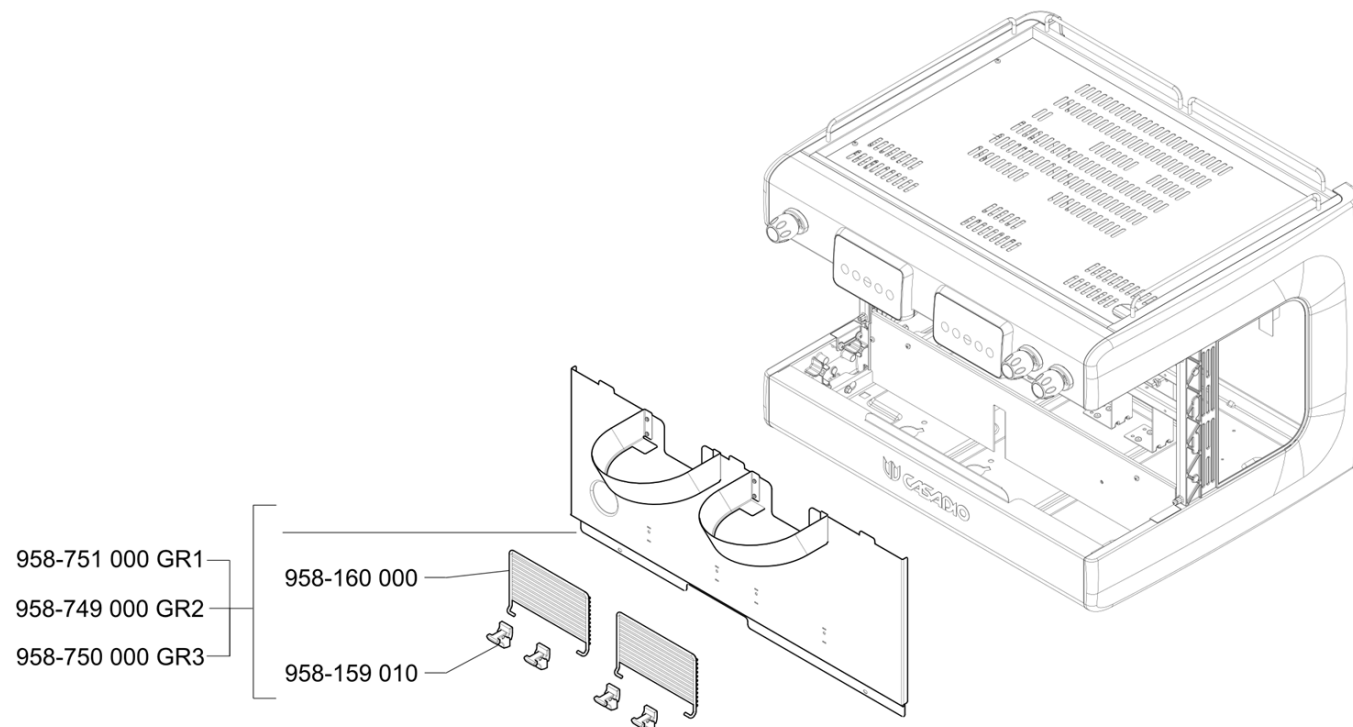
MAQUINA DE CAFE
MÁQUINA DE CAFÉ

COFFEE MACHINE
KAFFEE MASCHINE

MACCHINA PER CAFFÈ
MACHINE A CAFE

DIECI A/S VA

CASADIO



Per i particolari non codificati vedere la tabella
 Pour les pieces detachées pas codifiées se référer aux vues éclatées
 For the parts not listed, please refer to the table
 Bezüglich der nicht kodifizierten Ersatzteile bitte die Tabelle verwenden
 Por los repuestos no codificados rogamos de utilizar la tabula
 Pelos particulares no codificados outar as tabela

→ **AL-B01**

CARROCERIA - VERSION VASOS ALTOS
ESTRUTURA - VERSÃO ALTA

COACHWORK - TALL CUP VERSION
KAROSSERIE - FÜR HOHE-GLÄSER

CARROZZERIA - VERSIONE ALTA
CARROSSERIE - VERSION HAUTE

ED. 01 - 10
AUSGABE

TAB. AL-B02

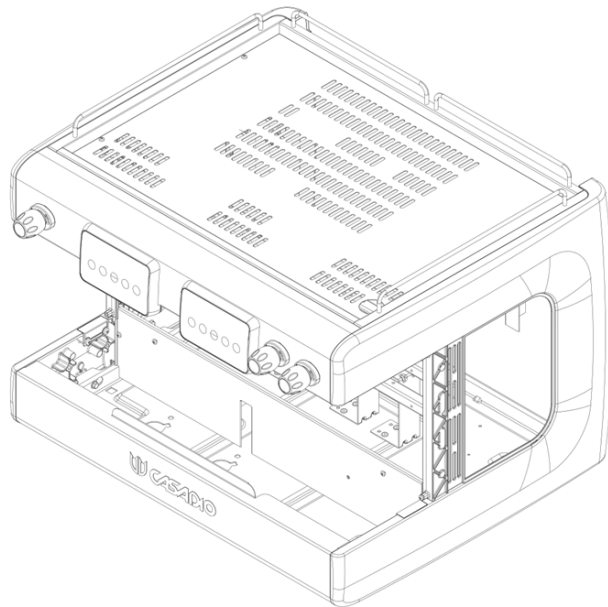
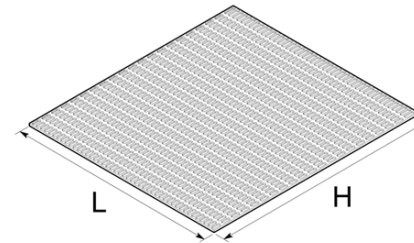
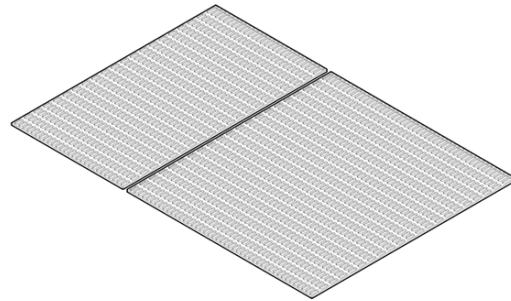
Pos	Part Number	Description	Validity	Notes
-	958159010	GRATED CUP TRAY GUIDE VA		
-	958160000	CUP HOLDER GRID HV		
-	958749000	FRONT PANEL 2GRVA REC		
-	958750000	FRONT PANEL 2GRVA REC		
-	958751000	FRONT PANEL 1 GR VA RIC		

MAQUINA DE CAFE
MÁQUINA DE CAFÉ

COFFEE MACHINE
KAFFEEEMASCHINE

MACCHINA PER CAFFÉ
MACHINE A CAFE

DIECI A/S



	L	H	GR1	GR2	GR3
958-205 000	62 mm	425 mm			1
958-203 000	232 mm	425 mm		1	
958-204 000	342 mm	425 mm	1		
915-194 000	385 mm	425 mm		1	2

CALIENTATAZAS
ESCALDA CHÁVENAS

CUPS-WARMER
TÄSSENWARMER

SCALDATAZZE
CHAUFFE-TASSES

ED.
AUSGABE 01 - 10

TAB. AL-B03

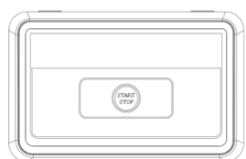
Pos	Part Number	Description	Validity	Notes
-	915194000	PLASTIC GRATE 385X425		
-	958203000	PLASTIC GRATE 232X425		
-	958204000	PLASTIC GRATE 342X425		
-	958205000	PLASTIC GRATE 62X425		

MAQUINA DE CAFE
MÁQUINA DE CAFÉ

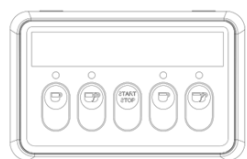
COFFEE MACHINE
KAFFEEMASCHINE

MACCHINA PER CAFFÉ
MACHINE A CAFE

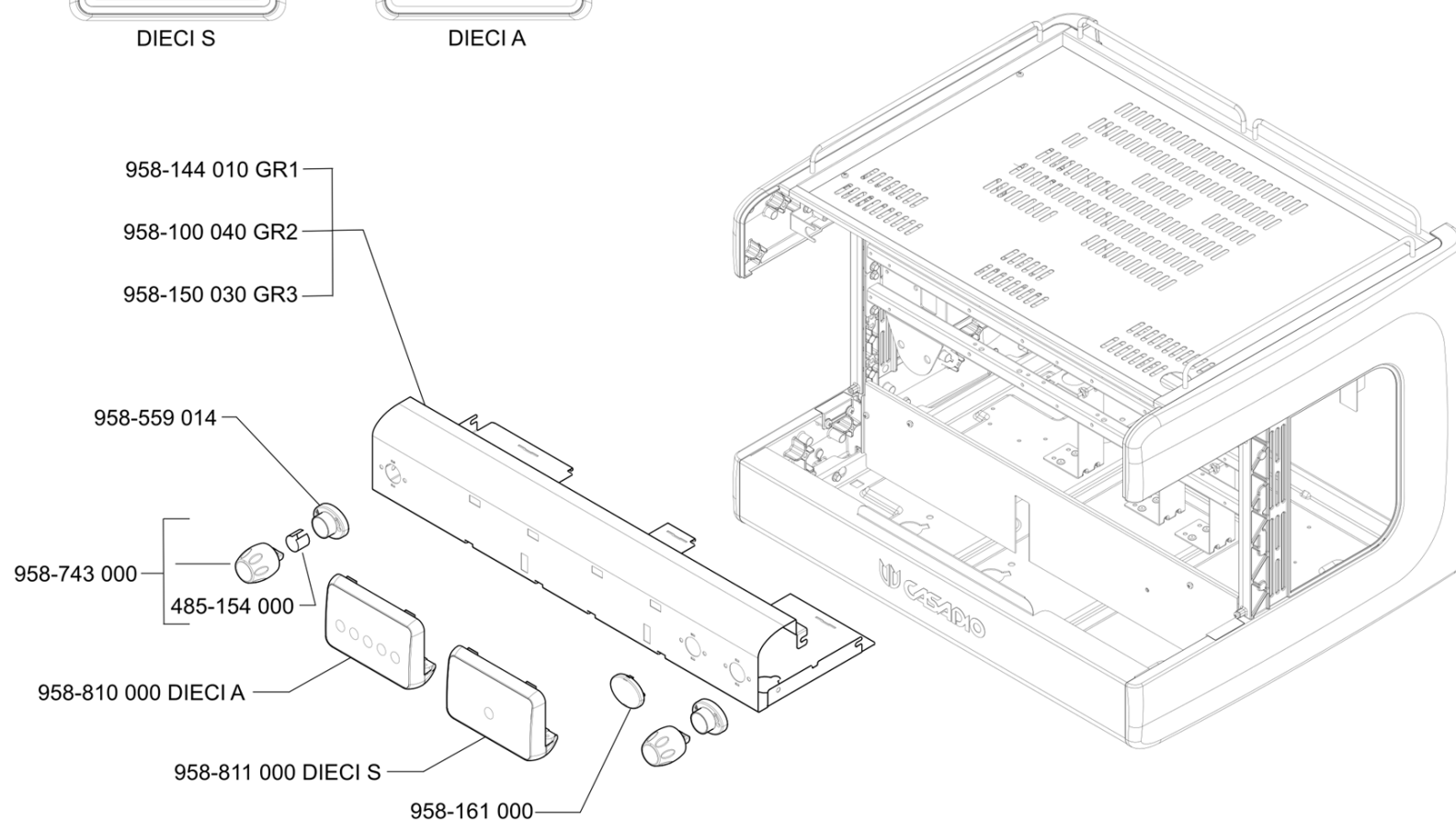
DIECI A/S



DIECI S



DIECI A



PLACA DA PULSADORES
PAINEL DE BOTÕES

PUSH BUTTON STRIP
TASTATUR

PULSANTIERA
PLATINE A BOUTOS

ED. 01 - 10
AUSGABE

TAB. AL-B04

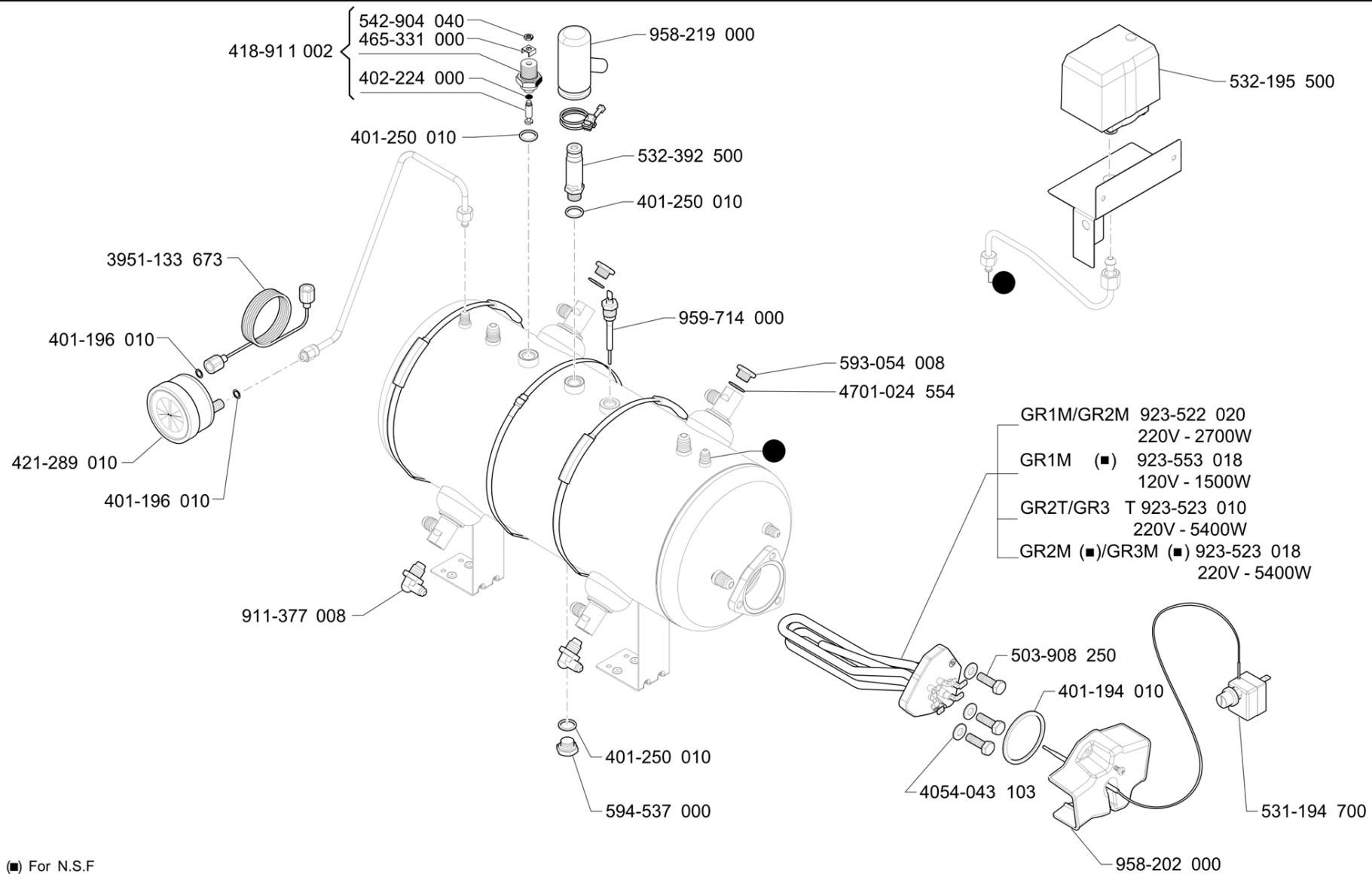
Pos	Part Number	Description	Validity	Notes
-	485154000	CLIP		
-	958100040	FRONT PANEL GR2		
-	958144010	FRONT PANEL GR1		
-	958150030	FRONT PANEL GR3		
-	958161000	CAP		
-	958559014	TRIGGER TRIM		
-	958743000	STEAM-WATER TAP KNOB		
-	958810000	DIECI A KEY PAD PANEL		
-	958811000	DIECI S KEY PAD PANEL		

MAQUINA DE CAFE
MÁQUINA DE CAFÈ

KAFFEEMASCHINE
COFFEE MACHINE

MACCHINA PER CAFFÈ
MACHINE A CAFÈ

DIECI A/S



(■) For N.S.F

CALDERA
CALDEIRA

BOILER
KESSEL

CALDAIA
CHAUDIÈRE

ED.
AUSGABE 01-10

TAB. AL-C01

Pos	Part Number	Description	Validity	Notes
-	3951133673	TUBE FOR GAUGE		
-	401194010	GASKET BOILER FLANGE		
-	401196010	GASKET 8,5X4,5X1,5		
-	401250010	GASKET § 17,9X14,2X1,5		
-	402224000	O-RING 5,28X1,78		
-	4054043103	WASHER		
-	418941010	ANTI-UNDERTOW VALVE ASS.		
	⇒ 418911002	VACUM VALVE		
-	421289010	DOUBLE GAUGE		
-	465331000	U PLATE		
-	4701024554	COPPER GASKET ø 18X13,5X1,5		
-	503908250	SCREW		
-	531194720	SFTY. THERMOSTAT		
	⇒ 531194700	SAFETY THERMOSTAT		
-	532195500	PRESSOSTAT		
-	532392500	SAFETY VALVE 1,9 1/4G		
-	542904040	NUT M4 S.S.		
-	593054008	NIPPLES BLIND		
-	594537010	BLIND NIPPLE 1/4 GAS ST. STEEL		
	⇒ 594537000	NIPPLES BLIND		
-	911377008	1/4-1/8 UNION		
-	923522020	HEATING ELEMENT 2700 W 220V		
-	923523010	HEATING ELEMENT 220V/5400W - 240V/6430W		
-	923523018	HEATING ELEM 220V/5400W - 240V/6430W NF		
-	923553018	HEATING ELEMENT 120V/1500W NF		
-	958202000	PROTECTION HEATING ELEMENT		
-	966492000	SAFETY VALVE PROTECTION		
	⇒ 958219000	SAFETY VALVE PROTECTION		
-	959714000	COMPLETE LEVEL PROBE		

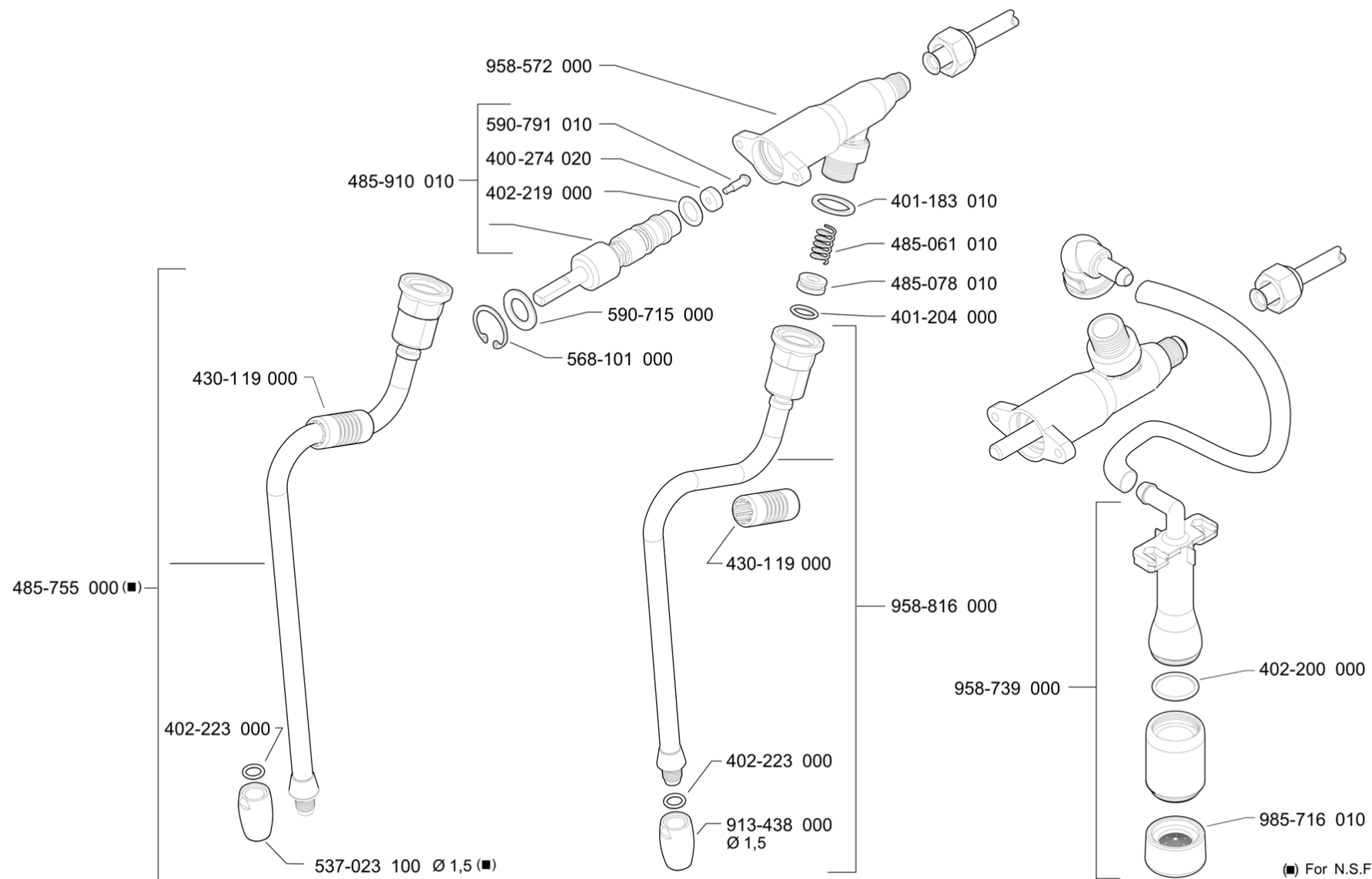
MAQUINA DE CAFE
MÁQUINA DE CAFÈ

COFFEE MACHINE
KAFFEEMASCHINE

MACCHINA PER CAFFÈ
MACHINE A CAFE

DIECI A/S

CASADIO



■ For N.S.F

GRIFOS
TORNEIRA

COCKS
HAEHNE

RUBINETTI
ROBINETS

ED.
AUSGABE 01 - 10

TAB. AL-D01

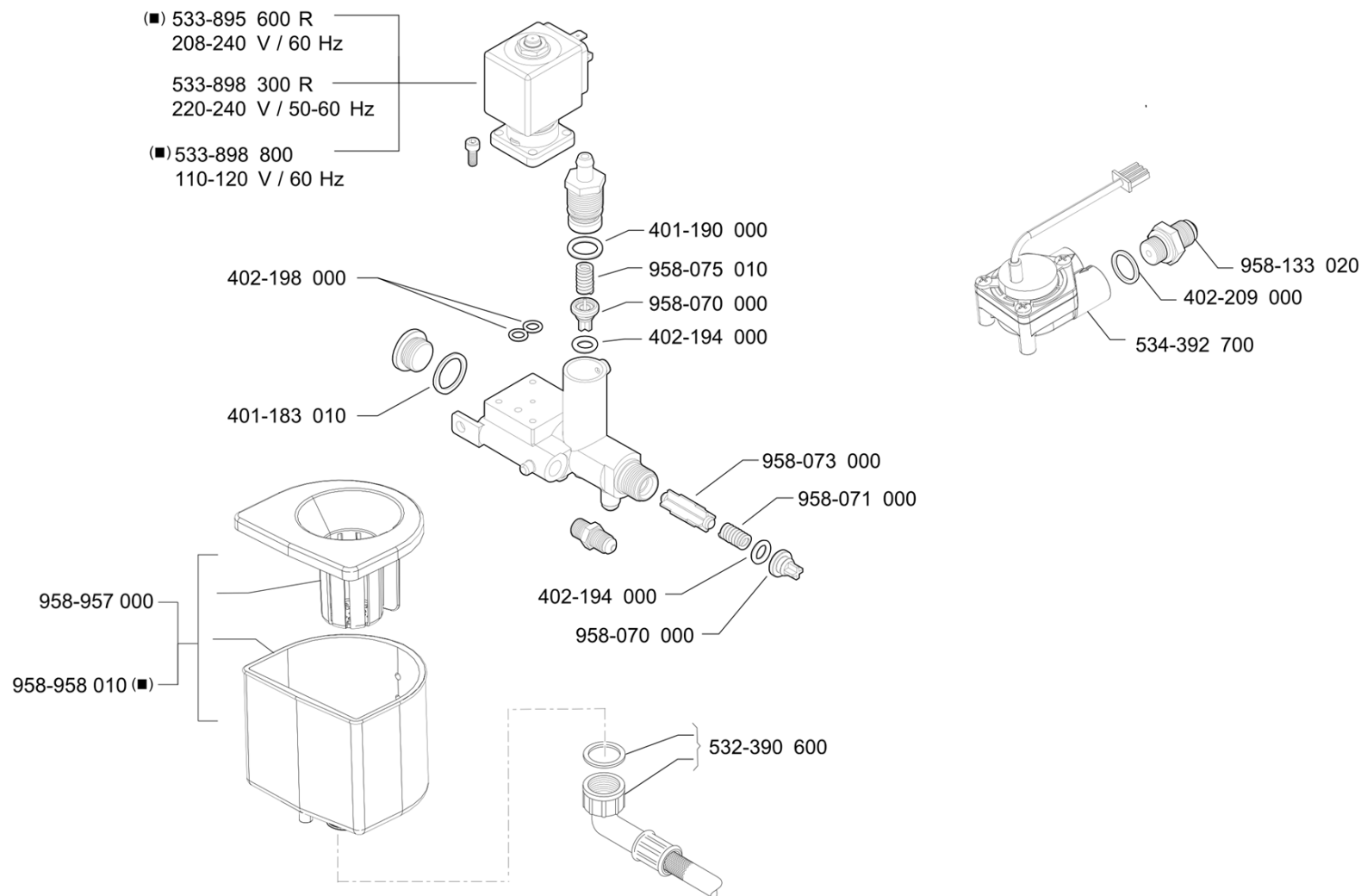
Pos	Part Number	Description	Validity	Notes
-	400274020	GASKET TAP		
-	401183010	GASKET 22X17X1,5 INLET VALVE		
-	401204000	GASKET		
-	402200000	ORING GASKET 17,11X1,78		
-	402219000	O-RING 10,78X2,62 NF		
-	402223000	O-RING 7,65X1,78 TS PROBE		
-	430119010	SLEEVE		
	⇌ 430119000	MANIFOLD		
-	485061010	STAIN LESS STEEL SPRING		
-	485078010	GASKET		
-	485755020	LONG STEAM TUBE ASS. (TV) W/BULB M29		
	⇌ 485755000	STAINLESS STEEL VA STEAM WAND		
-	485910020F	TAP ROD ASSEMBLY AUTO		
	⇌ 485910010	STEM COMPL.		
-	537023100	STEAM NOZZLE		
-	568101000	RING SEEGER		
-	590715000	WASHER 22,15 X 1,2		
-	590791010	SCREW		
-	913438000	STEAM NOZZLE		
-	958572020F	TAP BODY		
	⇌ 958572000	STEAM TAP BODY		
-	958739020	DELIVERY WATER BODY		
	⇌ 958739000	WATER WAND		
-	958816020	STEAM TUBE ASSEMBLY WITH BULB		
	⇌ 958816000	STAINLESS STEEL STEAM WAND		
-	985716020F	M22X1 JET BREAKER		
	⇌ 985716010	JET BREAKER M22X1		

MAQUINA DE CAFE
MÁQUINA DE CAFÉ

COFFEE MACHINE
KAFFEEEMASCHINE

MACCHINA PER CAFFÈ
MACHINE A CAFE

DIECI A/S



(■) For N.S.F

COMPONENTES HIDRÁULICOS
COMPONENTES HYDRÁULICOS

HYDRAULIC COMPONENTS
HYDRAULISCHE BESTANDTEILE

COMPONENTI IDRAULICI
ELEMENTS HYDRAULIQUES

ED.
AUSGABE 01 - 10

TAB. AL-F01

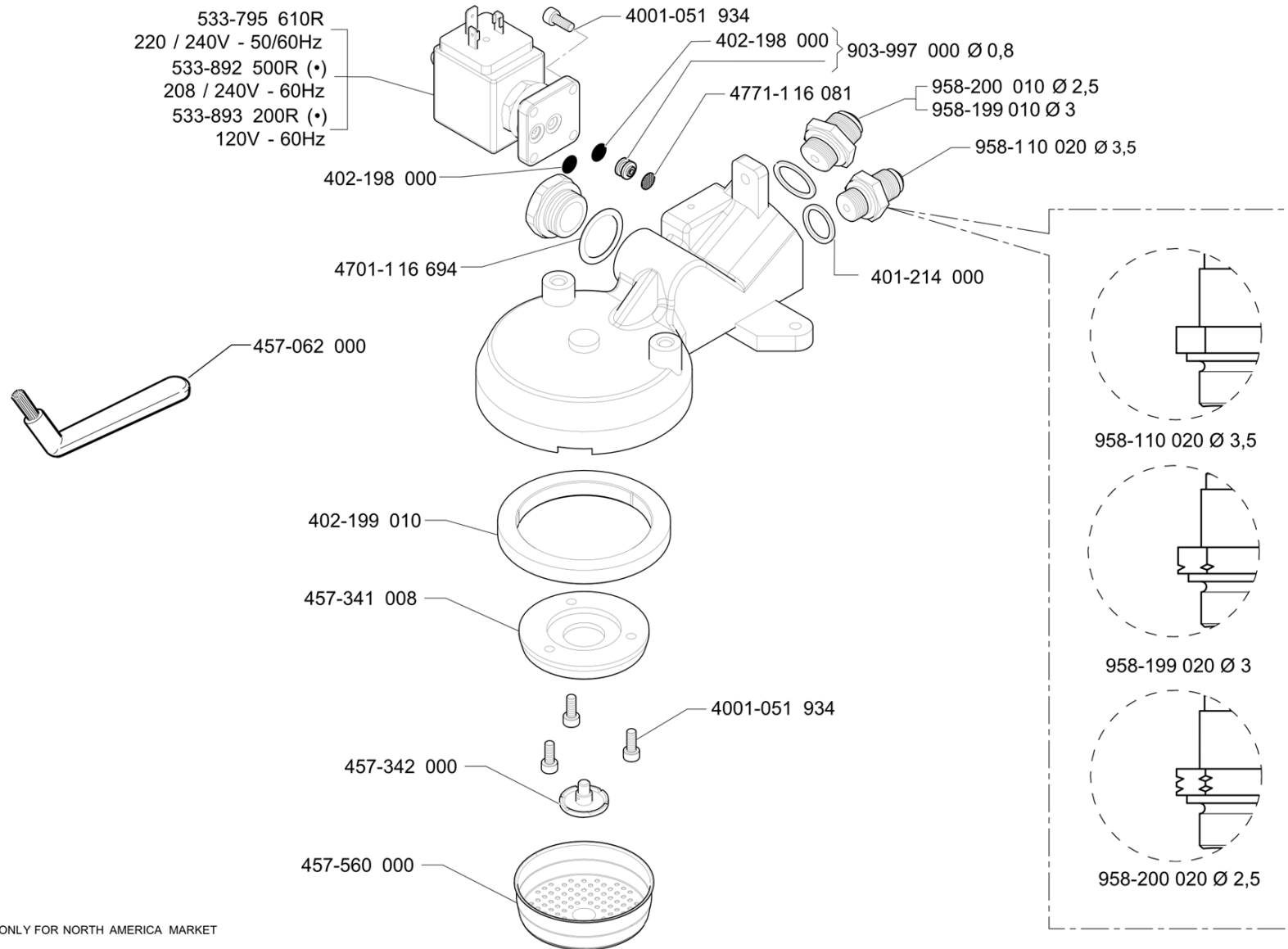
Pos	Part Number	Description	Validity	Notes
-	401183010	GASKET 22X17X1,5 INLET VALVE		
-	401190000	O-RING 12,37X2,62 EPDM INLET		
-	402194000	O-RING 7.5X2.62 NF		
-	402198000	GASKET SOLENOID VALVE		
-	402209000	O-RING GASKET 10,82X1,78 NF		
-	532390600	DRAIN PIPE		
-	533895600R	SOLENOID VALVE 2R 220-240/60 NF		
-	533898300R	SOLENOID VALVE 2 WAY 220/240 V 50HZ		
-	533898800	SOLENOID VALVE 110-120 60 HZ RUVECO		
-	534393100	FLOWMETER WITH ADAPTOR		
	⇒ 534392700	WIRED FLOWMETER		
-	537053200	SPARE MINI-VALVE KIT		
	⇒ 958070000	VALVE		
-	958071000	SPRING FOR VALVE		
-	958073000	SPACER		
-	958075010	SPRING FOR VALVE		
-	958133020	NIPPLE 1/4 X 1/8		
-	959775020	DRAIN BASIN ASS. WITH 5 INPUTS		
	⇒ 958957000	DRAIN BOX		
-	959775020	DRAIN BASIN ASS. WITH 5 INPUTS		
	⇒ 958958010	DRAIN BOX UL		

MAQUINA DE CAFE
MÁQUINA DE CAFÉ

COFFEE MACHINE
KAFFEEEMASCHINE

MACCHINA PER CAFFÈ
MACHINE A CAFE

DIECI A/S



(*) ONLY FOR NORTH AMERICA MARKET

GRUPO DISTRIBUCION
GRUPO EROGAÇÃO

DELIVERY GROUP
BRÜHSATZ

GRUPPO EROGATORE
GROUPE DEBIT

ED.
AUSGABE 01-10

TAB. AL-H01

Pos	Part Number	Description	Validity	Notes
-	4001051934	SCREW M 4 X 10		
-	401214000	GASKET		
-	402198000	GASKET SOLENOID VALVE		
-	402199010	GROUP GASKET		
-	457062000	BRUSH		
-	457341008	DISC FOR GROUP		
-	457342000	WATER DISTRIBUTER GROUP IN BRASS		
-	457560000	SHOWER GROUP		
-	4701116694	GASKET		
-	4771116081	FILTER SCREEN VALVE BLOCK		
-	533894600R	SOLENOID VALVE		
	≡ 533795610R	SOLENOID VALVE		
-	533892500R	SOLENOID VALVE		
-	533893200R	SOLENOID VALVE 120/60 NF		
-	903997000	§ 0,8 JET ASSEMBLY		
-	958110020	NIPPLE 1/4X1/4 Ø3,5		
-	958199020	NIPPLE 1/4 1/14 0,3MM		
-	958200020	NIPPLE 1/4 GAS		

MAQUINA DE CAFE
MÁQUINA DE CAFÉ

COFFEE MACHINE
KAFFEEEMASCHINE

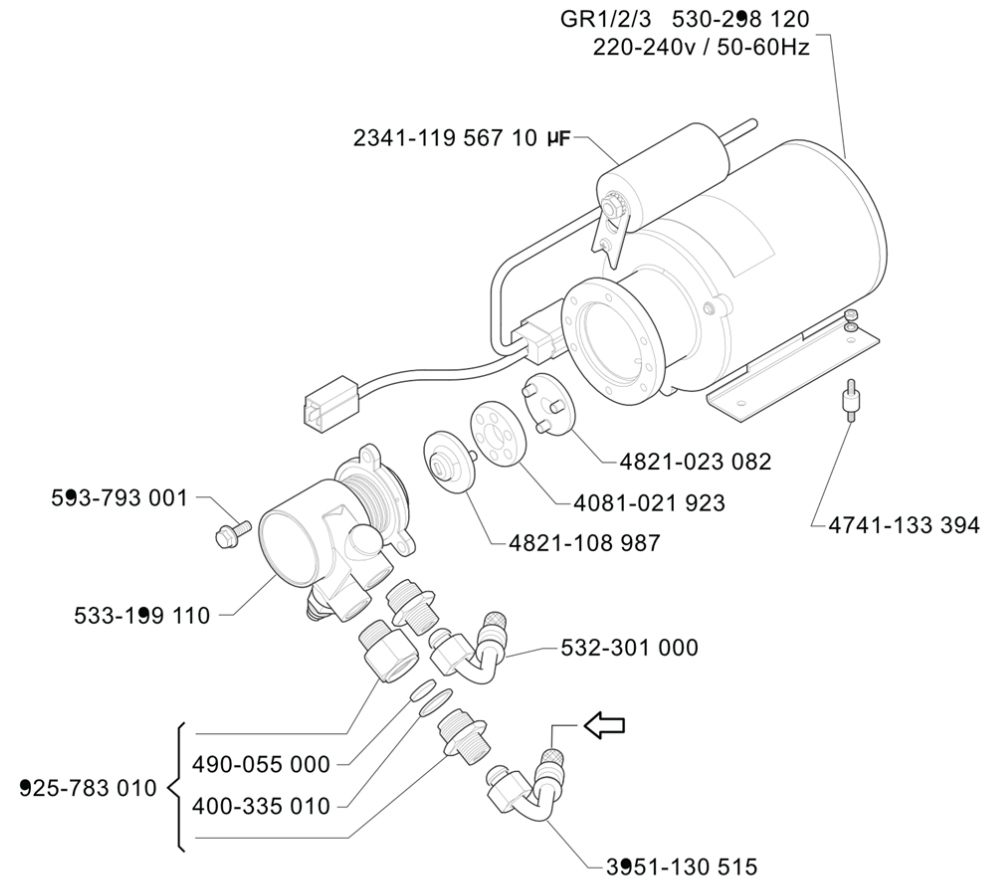
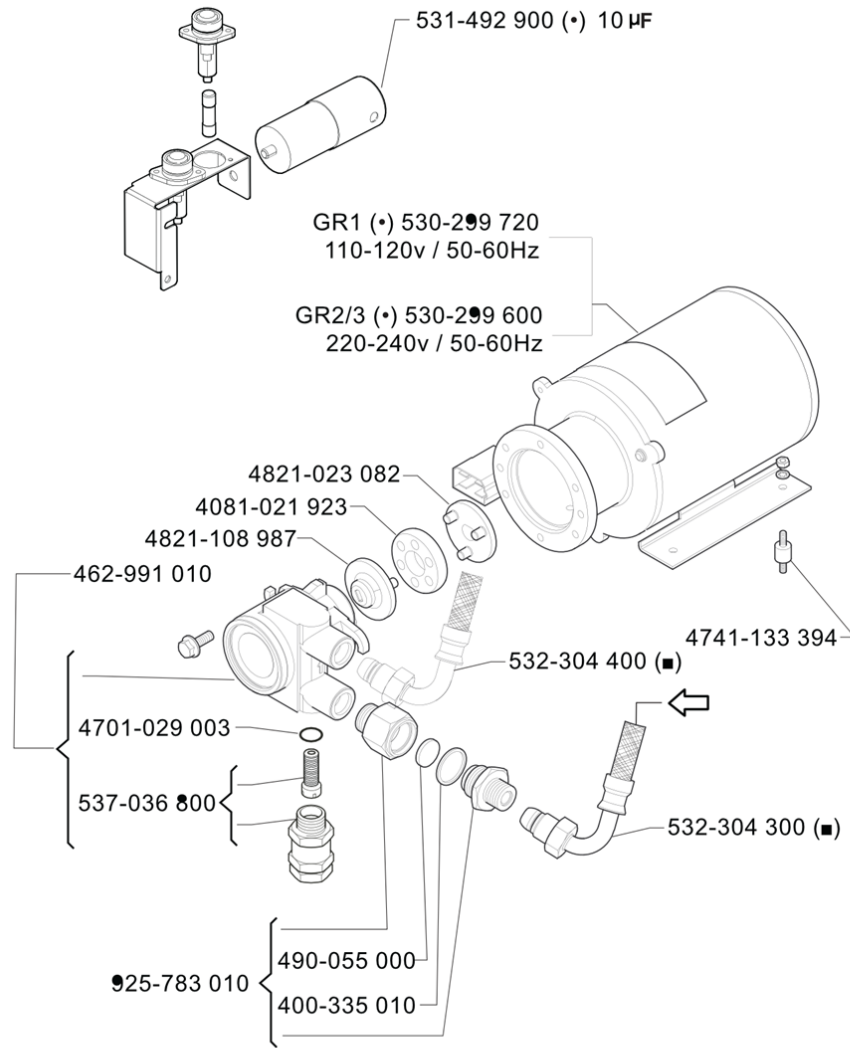
MACCHINA PER CAFFÈ
MACHINE A CAFE

DIECI A/S



(*) ONLY FOR NORTH AMERICA MARKET

(■) For N.S.F



BOMBA VOLUMETRICA
BOMBA VOLUMETRICA

VOLUMETRIC PUMP
VOLUMETRISCHE PUMPE

POMPA VOLUMETRICA
POMPE VOLUMETRIQUE

ED. AUSGABE 01-10

TAB. AL-J01

Pos	Part Number	Description	Validity	Notes
-	531492400	CAPACITOR 10MF		
	⇒ 2341119567	CONDENSER 10MF		
-	3951130515	PIPE 3/8X 3/8 120øMM 2200		
-	400335010	GASKET 21X24,5X1,5		
-	4081021923	RING		
-	533180010	180 L/h VOLUMETRIC PUMP INOX W/FILTER		
	⇒ 462991010	VOLUMETRIC PUMP 120LT/H		
-	4701029003	GASKET		
-	4741133394	RUBBER ANTIVIBRATION		
-	4821023082	MOTOR JOINT		
-	4821108987	PUMP JOINT		
-	490055000	FILTER		
-	530298120	PUMP 220/50 HORIZ. MOTOR		
-	530299600	PUMP 220/50 HORIZ. MOTOR UL		
-	530299720	POMP MOTOR UL		
-	531492900	CAPACITOR 10mF		
-	532301000	3/8 FLEXIBLE PIPE		
-	532304300	PIPE 3/8 NF		
-	532304400	VALVE BLOCK-PUMP TUBE NF		
-	533180010	180 L/h VOLUMETRIC PUMP INOX W/FILTER		
	⇒ 533199110	VOLUMETRIC PUMP F.TEC		
-	537036800	BY-PASS WITH VALVE		
-	593793001	SCREW M6 X 16 WITH PROFILE		
-	925783010	PUMP FILTER		

MAQUINA DE CAFE
MÁQUINA DE CAFÉ

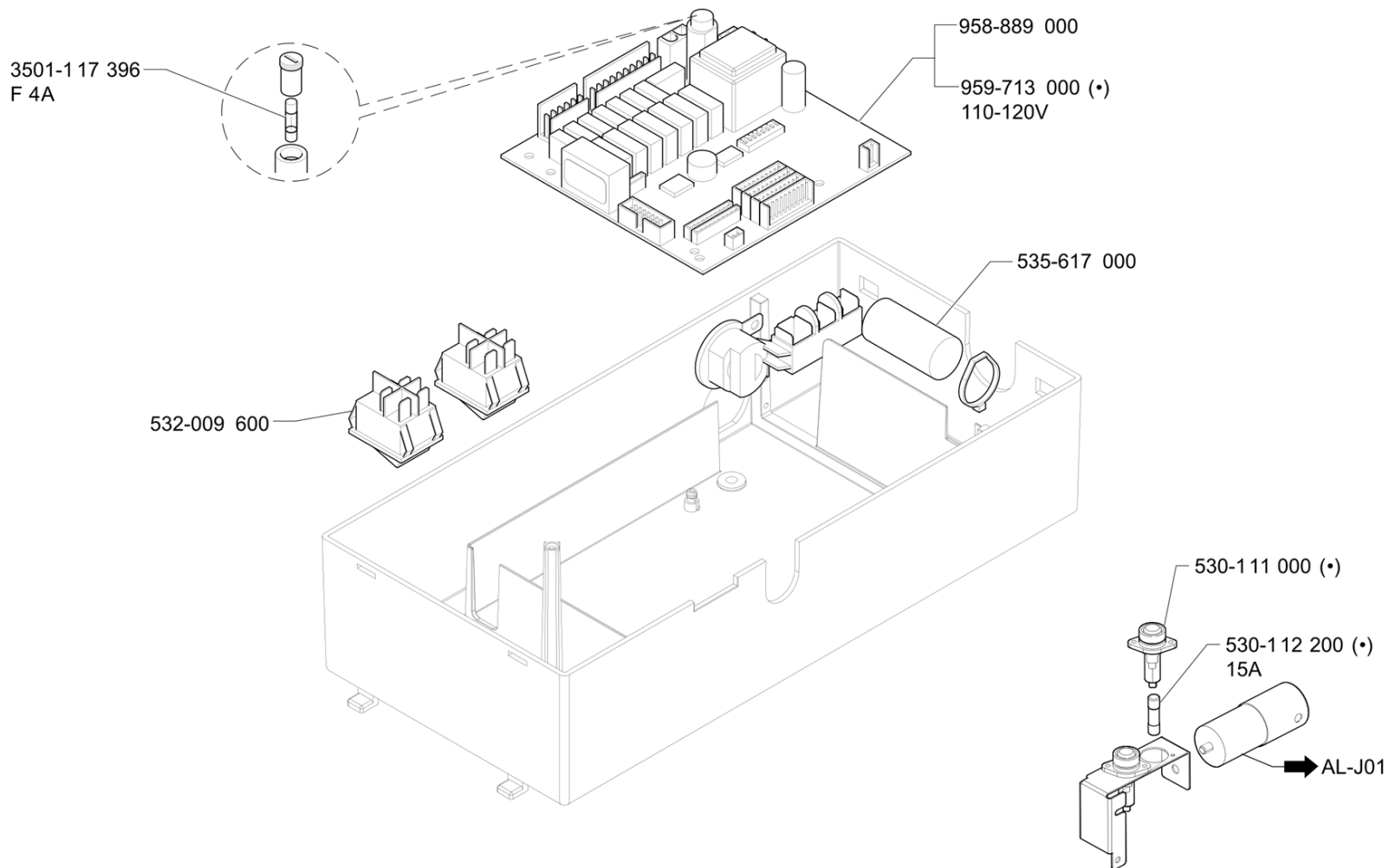
COFFEE MACHINE
KAFFEEMASCHINE

MACCHINA PER CAFFÉ
MACHINE A CAFE

DIECI A/S



(*) ONLY FOR NORTH AMERICA MARKET



CAJA ELÉCTRICA MONOFASICO
CAIXA ELÉTRICA MONOFASICO

ELECTRICAL BOX SINGLE PHASE
SCHALKASTEN EINPHASIGE

SCATOLA ELETTRICA MONOFASE
BOÎTE ÉLECTRIQUE MONOPHASE

ED. 01-10
AUSGABE

TAB. AL-K01

Pos	Part Number	Description	Validity	Notes
-	3501117396	FUSE 5X20 4A		
-	530111000	FUSE HOLDER		
-	530112200	FUSE CC15 A		
-	532009600	MAIN SWITCH		
-	535877000	SINGLE-PHASE C FILTER WITH FAST-ON		
	⇒ 535617000	SINGLE PHASE FILTER C		
-	537060600	BASE BOARD		
	⇒ 958889000	ELECTRONIC BOARD		
-	537060700	BASE BOARD		
	⇒ 959713000	CPU BASE BOARD 120 V		

MAQUINA DE CAFE
MÁQUINA DE CAFÉ

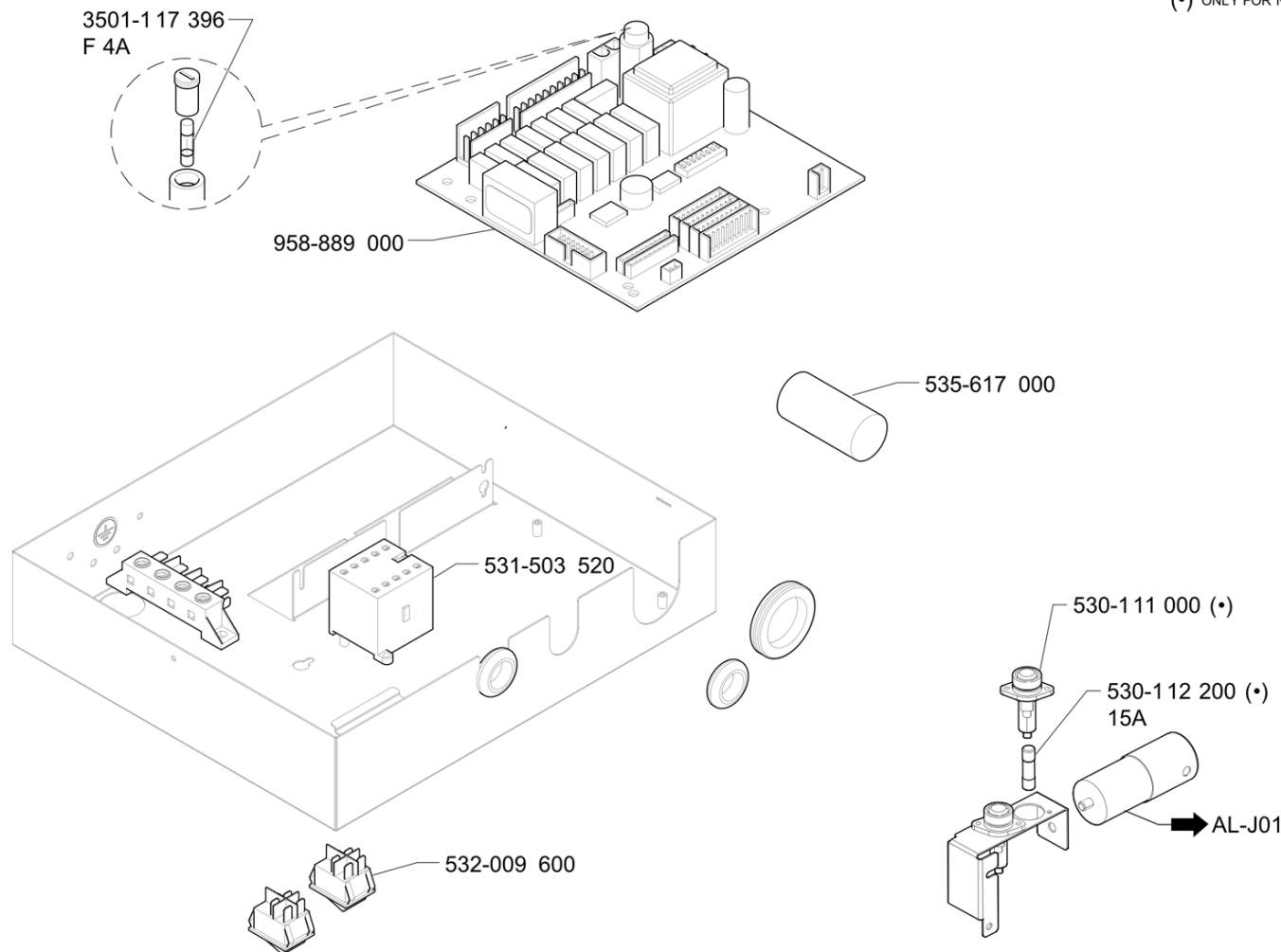
COFFEE MACHINE
KAFFEEMASCHINE

MACCHINA PER CAFFÈ
MACHINE A CAFE

DIECI A/S

CASADIO

(*) ONLY FOR NORTH AMERICA MARKET



CAJA ELÉCTRICA TRIFASICO
CAIXA ELÉTRICA TRIFASICO

ELECTRICAL BOX THREE PHASE
SCHALKASTEN DREIPHASING

SCATOLA ELETTRICA TRIFASE
BOÎTE ÉLECTRIQUE TRIPHASÉ

ED.
AUSGABE 01-10

TAB. AL-K02

Pos	Part Number	Description	Validity	Notes
-	3501117396	FUSE 5X20 4A		
-	530111000	FUSE HOLDER		
-	530112200	FUSE CC15 A		
-	531503520	CONTACTOR 4P 220/240V		
-	532009600	MAIN SWITCH		
-	535877000	SINGLE-PHASE C FILTER WITH FAST-ON		
	⇒ 535617000	SINGLE PHASE FILTER C		
-	537060600	BASE BOARD		
	⇒ 958889000	ELECTRONIC BOARD		

Pos	Part Number	Description	Validity	Notes
-	401194010	GASKET BOILER FLANGE		
-	402199010	GROUP GASKET		
-	418941010	ANTI-UNDERTOW VALVE ASS.		
-	421289010	DOUBLE GAUGE		
-	457342000	WATER DISTRIBUTER GROUP IN BRASS		
-	457368000	COFFEE FILTER 1 CUP		
-	457369000	2-CUP FILTER		
-	457560000	SHOWER GROUP		
-	457874000	SPRING FOR LOCKING THE COFFEE FILTER		
-	530298120	PUMP 220/50 HORIZ. MOTOR		
-	531194720	SFTY. THERMOSTAT		
-	531492400	CAPACITOR 10MF		
-	532195500	PRESSOSTAT		
-	532392500	SAFETY VALVE 1,9 1/4G		
-	533180010	180 L/h VOLUMETRIC PUMP INOX W/FILTER		
-	534393100	FLOWMETER WITH ADAPTOR		
-	913438000	STEAM NOZZLE		
-	923522020	HEATING ELEMENT 2700 W 220V		
-	923523010	HEATING ELEMENT 220V/5400W - 240V/6430W		
-	923523010	HEATING ELEMENT 220V/5400W - 240V/6430W		
-	958743000	STEAM-WATER TAP KNOB		
-	958810000	DIECI A KEY PAD PANEL		
-	958811000	DIECI S KEY PAD PANEL		
-	958816020	STEAM TUBE ASSEMBLY WITH BULB		
-	537060600	BASE BOARD		
-	537060700	BASE BOARD		
-	4771116081	FILTER SCREEN VALVE BLOCK		
-	533894600R	SOLENOID VALVE		
-	533898300R	SOLENOID VALVE 2 WAY 220/240 V 50HZ		
-	958577080F	1-WAY FILTER-HOLDER		
-	958578080F	2-WAY FILTER-HOLDER		
-	957782020F	2-WAY NSF FILTER-HOLDER		
-	957783020F	372 (E) NSF 1-WAY FILTER-HOLDER LOW COST		
-	985600000	STEAM WAND W/OUT BULB		