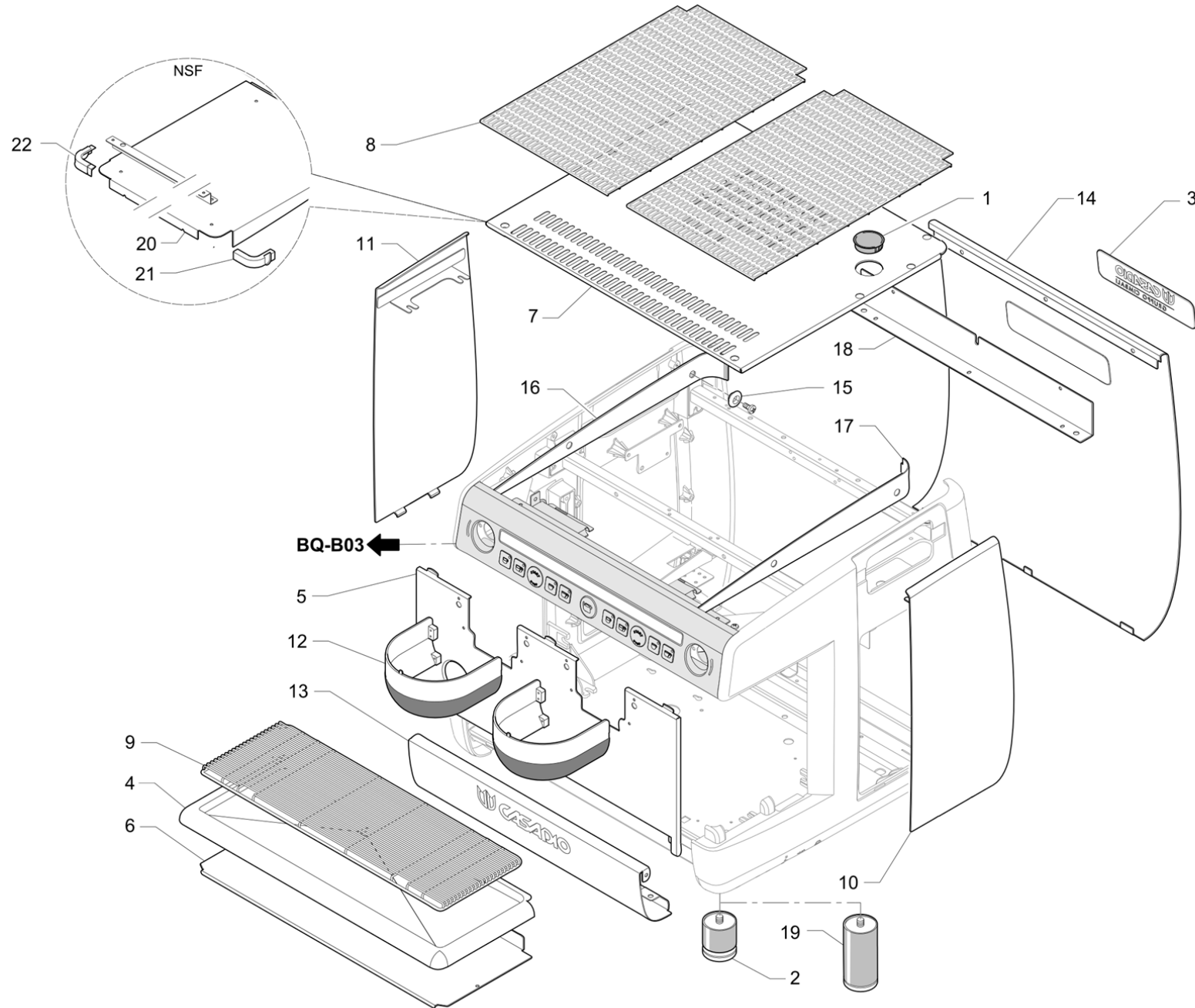
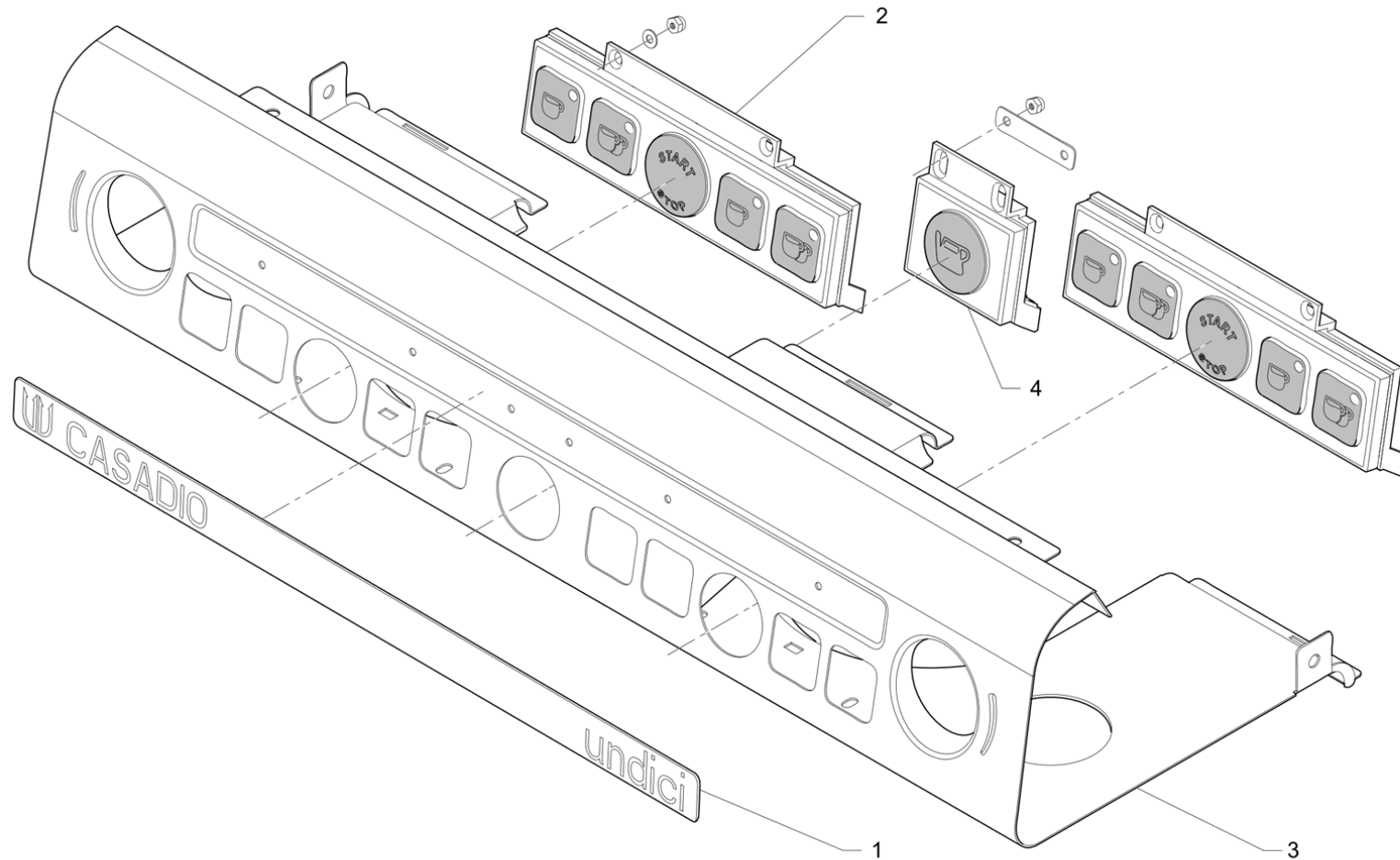


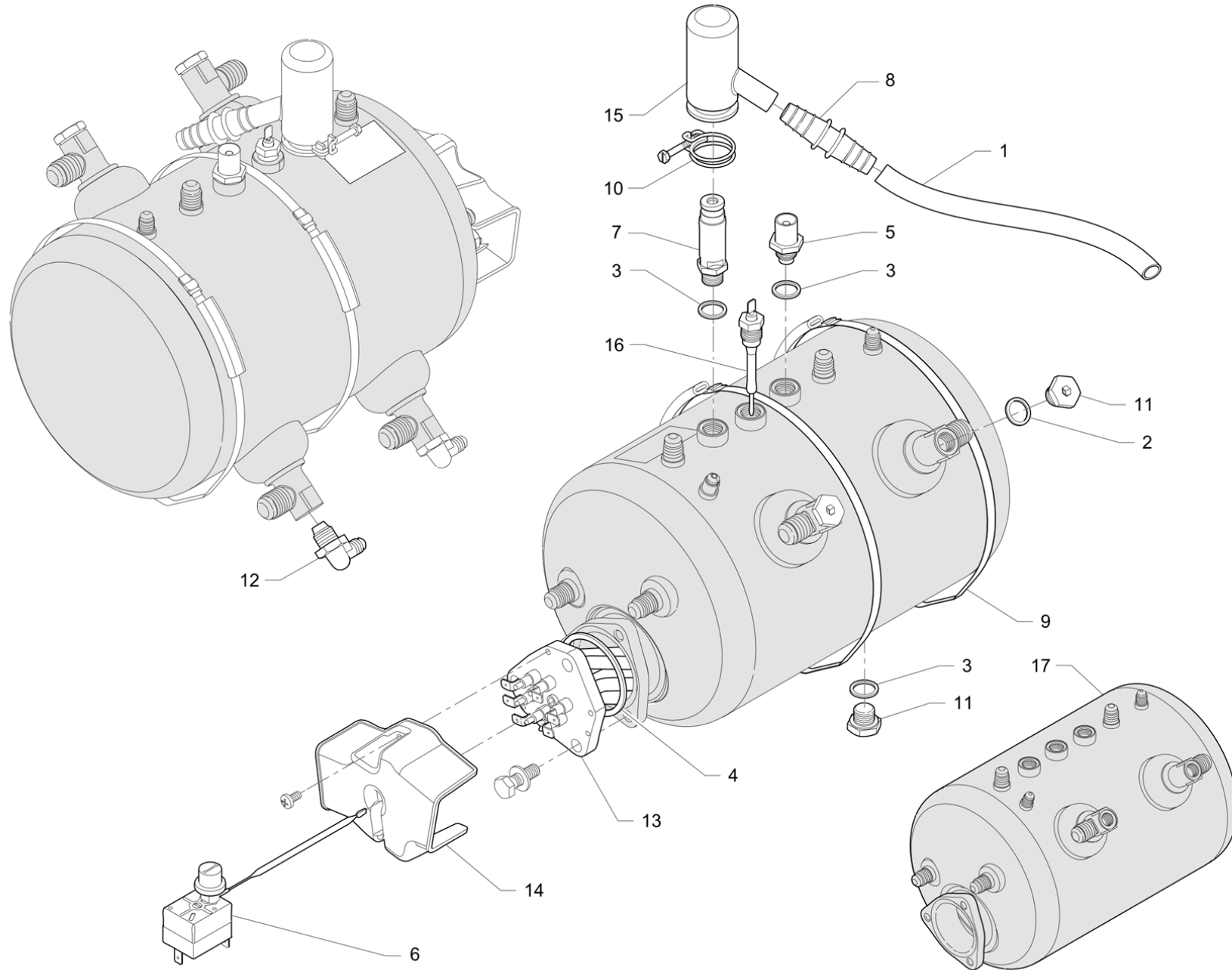
Pos	Part Number	Description	Validity	Notes
1	401196010	GASKET 8,5X4,5X1,5		
2	402302000	GASKET 17X13,2X1X5		
3	532195500	PRESSOSTAT		
4	532390600	DRAIN PIPE		
5	532740610	CAP		
6	534393100	FLOWMETER WITH ADAPTOR		
7	590133000	COUNTER NUT 1/8		
8	952011000	NIPPLE 1/4 X 1/8"		
9	958133020	NIPPLE 1/4 X 1/8		
10	959775020	DRAIN BASIN ASS. WITH 5 INPUTS		
	⇒ 959775010	DRAINAGE BASIN ASS. WITH 5 INPUTS		
11	978017010	DOUBLE SCALE PRESSURE GAUGE		
	⇒ 978017000	DOUBLE SCALE PRESSURE GAUGE		
12	3951133673	TUBE FOR GAUGE		
13	978536000F	RH STEAM TUBE 2 GR COMPATTA		
13	978536008F	RH STEAM TUBE NSF - 2 GROUPS	N:NSF	
14	978537000F	UPPER COFFEE GROUP TUBE 2 GR COMP LH LV		
15	978539000F	UPPER COFFEE GROUP TUBE 2 GR COMP RH LV		
16	978540000F	LOWER COFFEE GROUP TUBE 2 GR COMP LH LV		
17	978541000F	LOWER COFFEE GROUP TUBE 2 GR COMP RH LV		
18	978542000F	PRESSURE SWITCH TUBE 2 GR COMPATTA		
19	978543000F	BOILER FAN TUBE RH 2 GR COMPATTA		
20	978544000F	BOILER FAN TUBE LH 2 GR COMPATTA		
21	978545000F	FAN RAMP 2 GR COMPATTA		
22	978546000F	WATER INTAKE TUBE 2 GR COMPATTA		
23	978547000F	BOILER FILLING TUBE 2 GR COMPATTA		
24	978739000F	LH STEAM TUBE		
24	978739008F	LH STEAM TUBE NSF	N:NSF	
25	978747000F	PRESSURE GAUGE TUBE		



Pos	Part Number	Description	Validity	Notes
1	532724400	SCREW PLUG ø38		
2	532805000	ADJUSTABLE FOOT		
3	978064010	CUSTOMISATION LABEL		
	⇌ 978064000	REAR CUSTOMISATION LABEL		
4	978088000	BASIN 2 GR COMPATTA		
5	978090000	SLUICE VALVE 2 GR COMPATTA LV		
6	978177000	2GR COMPACT GUARD NSF	N:NSF	
7	978103000	CUP-WARMER PLATE 2 GR COMPATTA		
8	978104000	CUP-WARMER PLATE GRILLE 2 GR COMPATTA		
9	978110000	BASIN GRILLE 2 GR COMPATTA		
10	978508000	RH SIDE PANEL ASSEMBLY		
11	978509000	LH SIDE PANEL ASSEMBLY		
12	978510010	COFFEE GROUP GUARD ASSEMBLY		
13	978530010	BASE LOWER PANEL ASS. 2GR		
	⇌ 978530000	LOWER BASE PANEL ASSEMBLY 2 GR COMPATTA		
14	978531000	REAR PANEL ASSEMBLY 2 GR COMPATTA		
15	930081000	PREXIGLASS RING		
16	978034000	LH SIDE CUP-WARMER		
17	978035000	RH SIDE CUP-WARMER		
18	978087000	PANEL BUFFER 2 GR COMPATTA		
19	532805500	NYLON/STAINLESS STEEL ADJ. FOOT H105/137	N:NSF	
20	978168010	2 GR CUP-WARMER PLATE COMPACT UL/NSF	N:NSF	
21	978183000	RH CUP-WARMER CORNER	N:NSF	
22	978174000	LH CUP-WARMER CORNER	N:NSF	



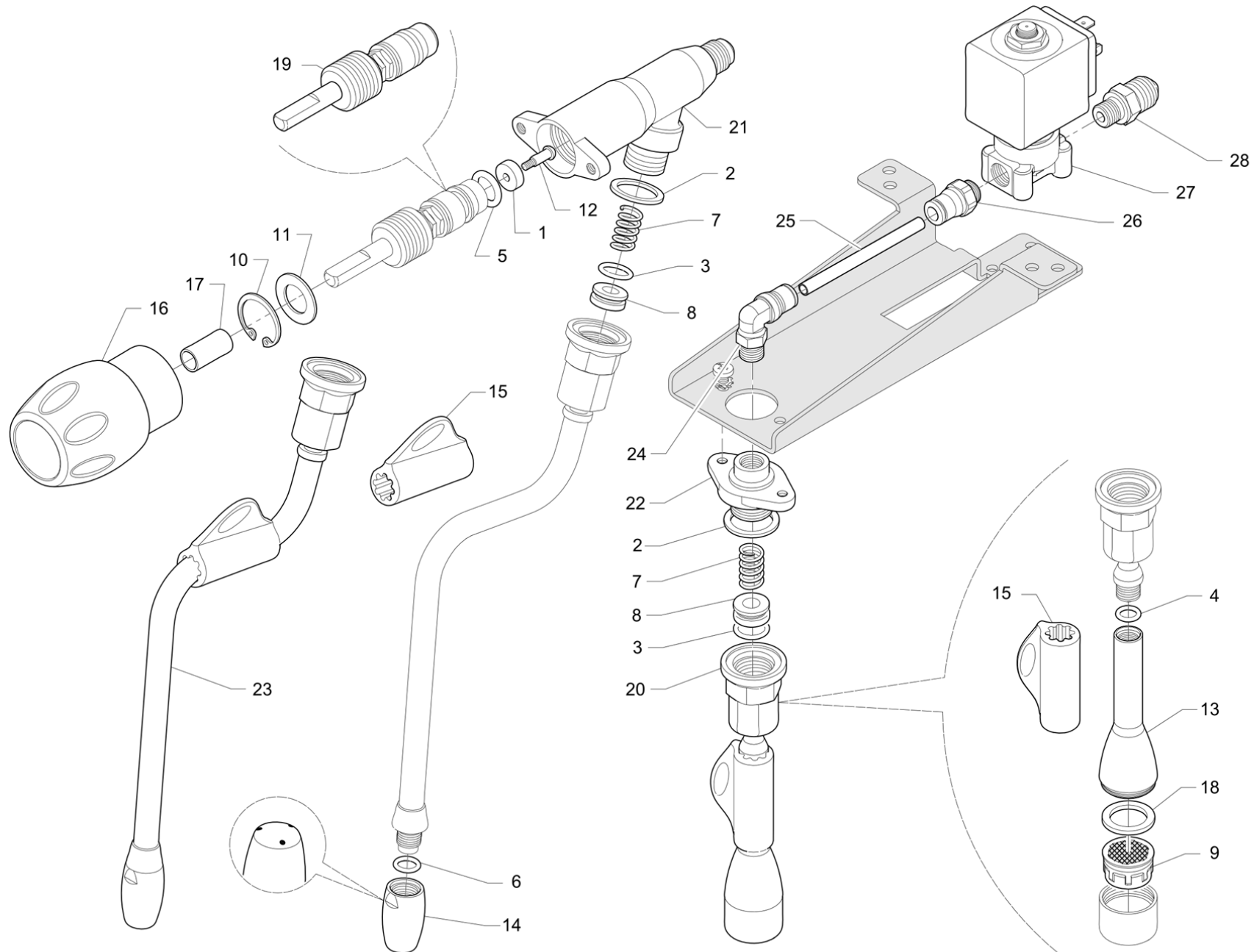
Pos	Part Number	Description	Validity	Notes
1	978063000	FRONT CUSTOMISATION LABEL		
2	978513010	COFFEE SELECTION GROUP		
3	978532000	COMMAND PANEL ASSEMBLY 2 GR COMPATTA		
4	978534000	WATER SELECTION GROUP		



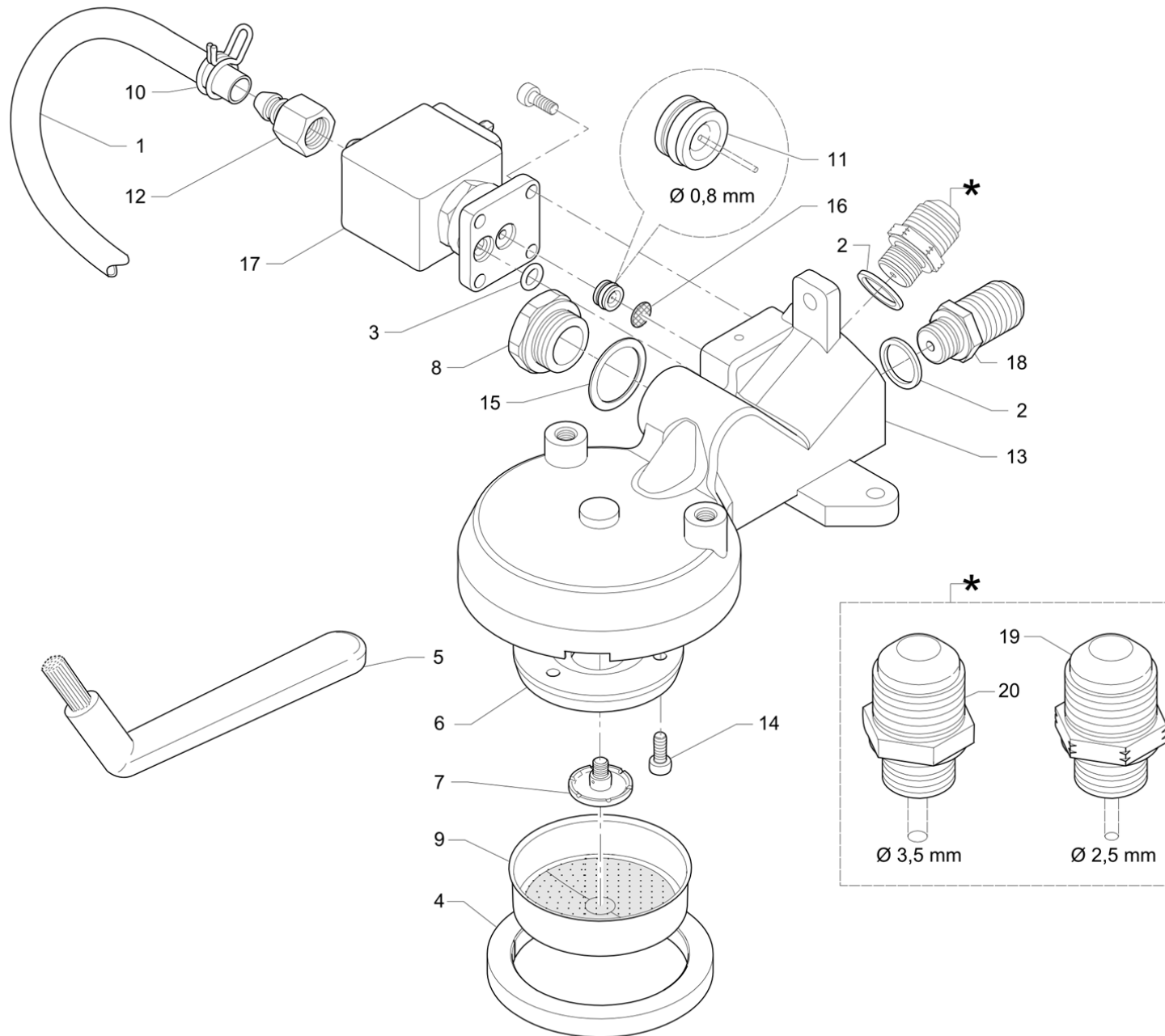


Pos	Part Number	Description	Validity	Notes
1	220000017	SILICONE PIPE D 10X15		
2	401214000	GASKET		
3	401250010	GASKET § 17,9X14,2X1,5		
4	401194010	GASKET BOILER FLANGE		
5	418941010	ANTI-UNDERTOW VALVE ASS.		
6	531194720	SFTY. THERMOSTAT		
7	532392500	SAFETY VALVE 1,9 1/4G		
7	532392700	SAFETY VALVE 2,3 1/4G	M:US	
8	532601000	HOSE ADAPTOR		
9	532715310	STAINLESS STEEL CLAMP 730x7.96x0.28MM		
10	532746200	CABLE TIE-RAPS WITH SCREW		
11	594537010	BLIND NIPPLE 1/4 GAS ST. STEEL		
12	911377008	1/4-1/8 UNION		
13	978563000F	HEATING HELEMENT 220V 2700W L=202		
13	923553018	HEATING ELEMENT 120V/1500W NF	N:NSF	
13	923522028	RESISTOR 220V 2700W L=202 NSF WITH RUVEC	N:NSF	
14	958202000	PROTECTION HEATING ELEMENT		
15	966492000	SAFETY VALVE PROTECTION		
	⇔ 958219000	SAFETY VALVE PROTECTION		
16	959714000	COMPLETE LEVEL PROBE		
17	978533010F	BOILER ASSEMBLY 2 GR COMPACT		
	⇔ 978533000F	BOILER ASSEMBLY 2 GR COMPATTA		
17	978533018F	BOILER ASSEMBLY 2 GROUPS COMPACT RUV	N:NSF	
	⇔ 978533008F	BOILER WITH RUVECO, COMPACT - 2 GROUPS	N:NSF	

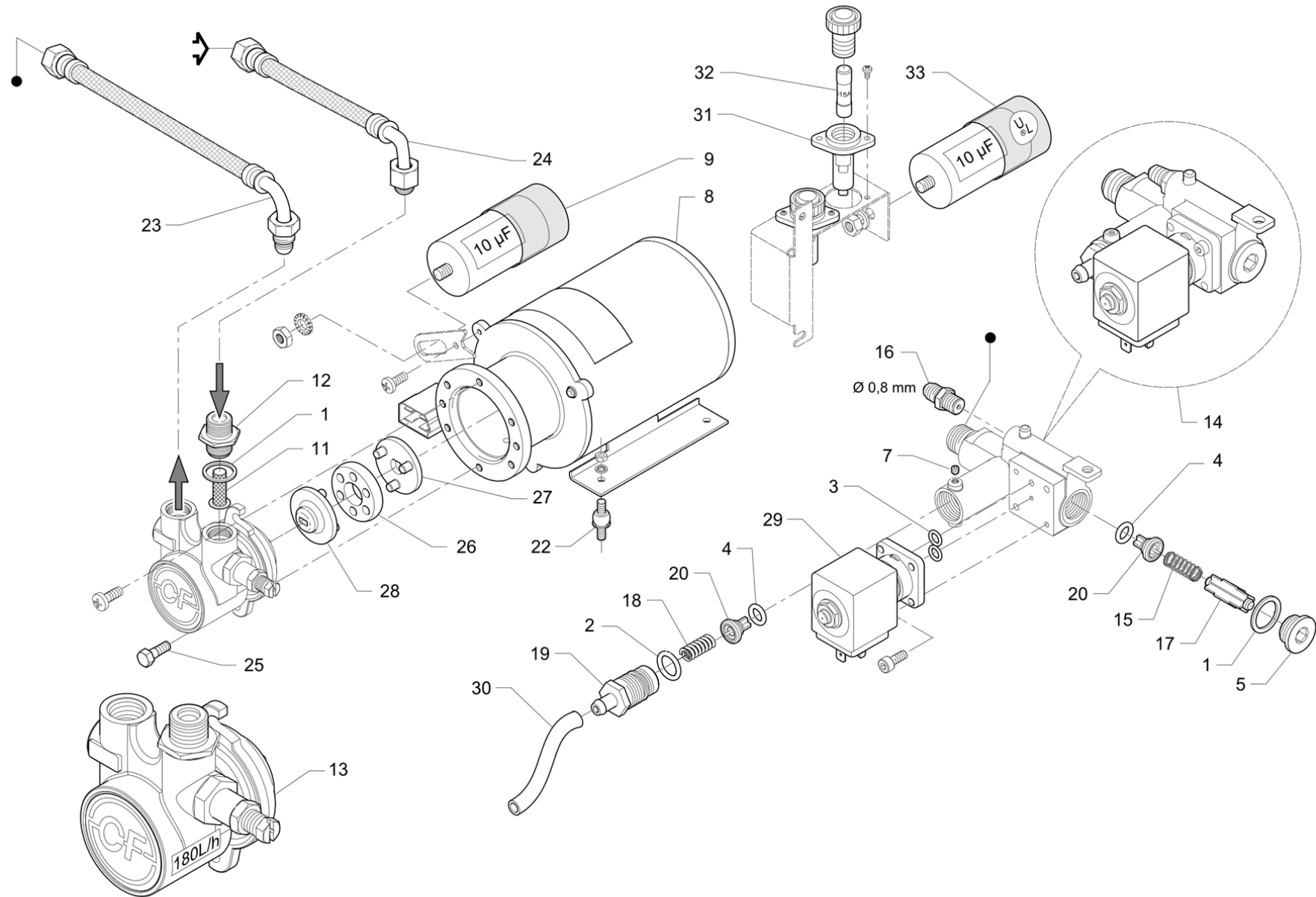




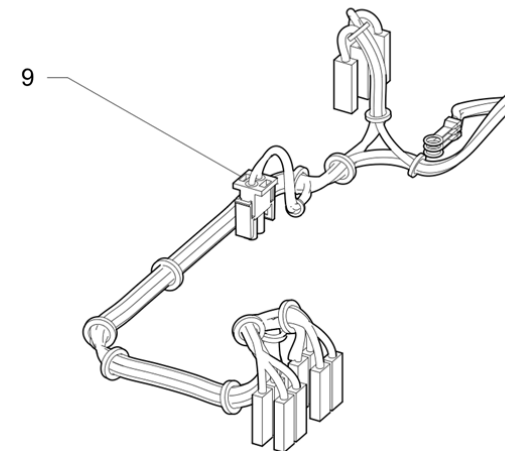
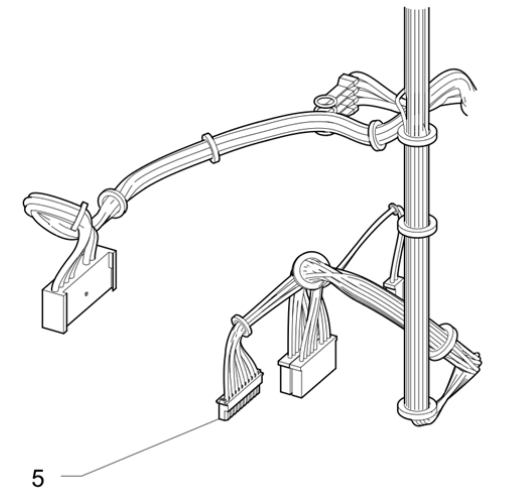
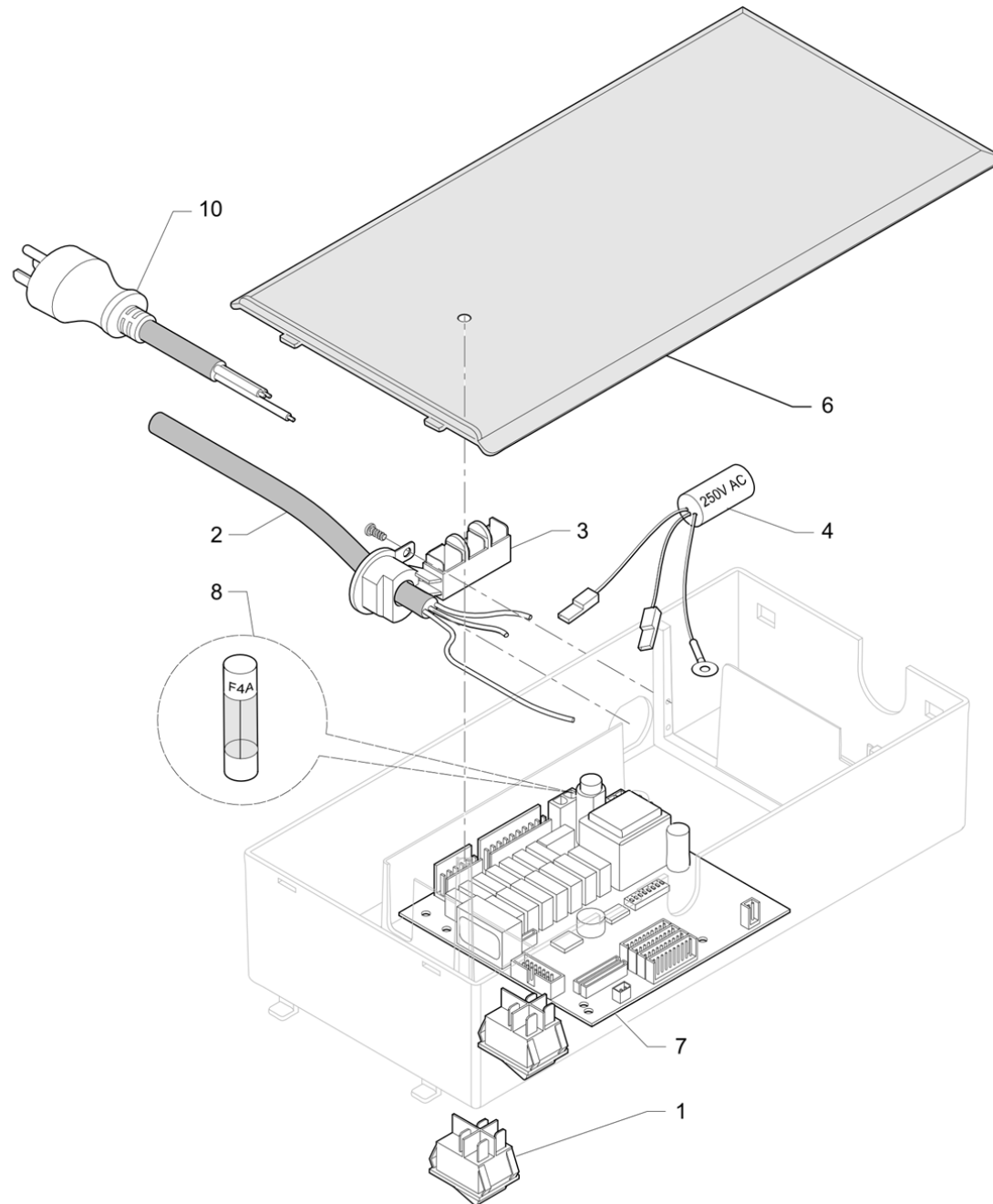
Pos	Part Number	Description	Validity	Notes
1	400274020	GASKET TAP		
2	401183010	GASKET 22X17X1,5 INLET VALVE		
3	401204000	GASKET		
3	402209000	O-RING GASKET 10,82X1,78 NF	N:NSF	
4	402210000	O-RING GASKET 6,75 X 1,78 NF		
5	402219000	O-RING 10,78X2,62 NF		
6	402223000	O-RING 7,65X1,78 TS PROBE		
7	485061010	STAIN LESS STEEL SPRING		
8	485078010	GASKET		
9	532305000	FILTER		
10	568101000	RING SEEGER		
11	590715000	WASHER 22,15 X 1,2		
12	590791010	SCREW		
13	913255000	LONG WATER WAND		
14	913438000	STEAM NOZZLE		
15	927132010	MANIFOLD		
16	973700000	WATER-STEAM KNOB ASSEMBLY		
17	978099000	H15 STEAM KNOB SPACER		
18	402320000F	21X15X2 NSF SEAL		
19	485910020F	TAP ROD ASSEMBLY AUTO		
20	920739040F	JET BREAKER		
21	958572020F	TAP BODY		
21	457573010F	NSF STEAM TAP BODY ASSEMBLY	N:NSF	
22	484016048	CONNECTOR FOR DISPENSER		
23	978732000F	STEAM TUBE ASSEMBLY WITH BULBS 3 HOLES 1		
24	532651800	FAST UNION D.6		
25	220000022	RISLAN PIPE 4X6		
26	532650900	UNION FOR TUBE 6 MM		
27	533904800F	VITON 1/8" 220/240 V 50/60 Hz EV 2 VIE N		
	⇌ 533895200R	SOLENOID VALVE 220/240 V 50 HZ VITON 1/8		
27	533896300R	SOLENOID VALVE 100-120/60NF	N:UL	
27	533904900F	VITON 1/8" 208/240 V 60 Hz EV 2 VIE NC	N:UL	
	⇌ 533896200R	SOLENOID VALVE 208-240/60 NF	N:UL	
28	952126000	NIPPLE 1/8 1/4		



Pos	Part Number	Description	Validity	Notes
1	220000016	SILICONE PIPE D 6X10		
2	401214000	GASKET		
3	402198000	GASKET SOLENOID VALVE		
4	402199010	GROUP GASKET		
5	457062000	BRUSH		
6	457341008	DISC FOR GROUP		
6	457388008F	NSF DISPENSER GROUP DISC	N:UL	
7	457342000	WATER DISTRIBUTER GROUP IN BRASS		
8	457343000	PLUG		
9	457560000	SHOWER GROUP		
10	532704200	DOUBLE CABLE TIE-RAPS		
11	903997000	§ 0,8 JET ASSEMBLY		
12	937055010	1/8 RUBBER HOLDER CONNECTOR		
	⇒ 937055000	1/8 RUBBER HOLDER CONNECTOR		
13	457424008F	COFFEE GROUPWITH RUVECO DISPENSER DISC		
	⇒ 958078028	RUVECO COFFEE GROUP		
13	457425008F	COFFEE GROUP WITH NSF 372 DISP. DISC	N:UL	
	⇒ 457405008F	NSF COFFEE GROUP	N:UL	
14	4001051934	SCREW M 4 X 10		
15	4701116694	GASKET		
16	4771116081	FILTER SCREEN VALVE BLOCK		
17	533894600R	SOLENOID VALVE		
17	533893200R	SOLENOID VALVE 120/60 NF	N:UL	
17	533892500R	SOLENOID VALVE	N:UL	
18	978013000F	1/4 GAS NIPPLE X 3/8 GAS HOLE Ø 3.5		
19	978014000F	1/4 GAS NIPPLE X 3/8 GAS HOLE Ø 2.5 SHOR		
20	978015010F	NIPPLE 1/4 x3/8		
	⇒ 978015000F	1/4 GAS NIPPLE X 3/8 GAS HOLE Ø 3.5 SHOR		

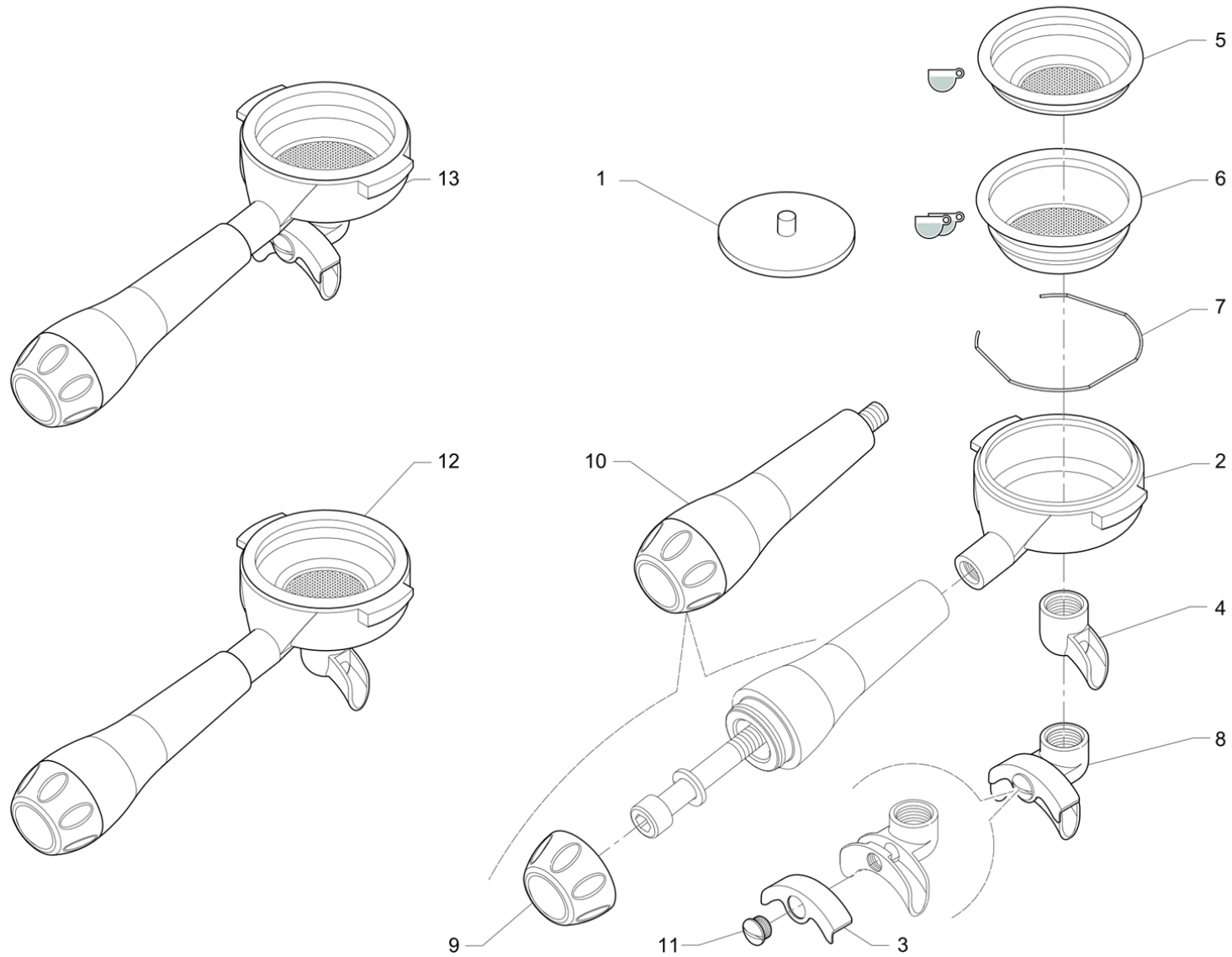


Pos	Part Number	Description	Validity	Notes
1	401183010	GASKET 22X17X1,5 INLET VALVE		
2	401190000	O-RING 12,37X2,62 EPDM INLET		
3	402198000	GASKET SOLENOID VALVE		
4	402314000	OR 7.59x2.62 EPDM 75.5 INLET		
5	457347010	3/8 GAS EXAGONAL INOX CAP		
7	512904050	S.S. M4X5 SCREW		
8	530298120	PUMP 220/50 HORIZ. MOTOR		
8	530299720	POMP MOTOR UL	N:UL	
8	530299600	PUMP 220/50 HORIZ. MOTOR UL	N:UL	
9	531492400	CAPACITOR 10MF		
9	531494700	CONDENSER 10 uF	N:KTL	
11	533100400	INSIDE FILTER		
12	533100600	JOINT 3/8X3/8		
13	533180010	180 L/h VOLUMETRIC PUMP INOX W/FILTER		
14	945741030	VALVE GROUP 220-240V 50-60Hz		
14	978951000	VALVE GROUP NSF 120V 60 Hz	N:UL	
14	978952000	VALVE GROUP NSF 208V 60 Hz	N:UL	
15	958071000	SPRING FOR VALVE		
16	958072020	NIPPLE 1/8 X 1/8 NOZZLE 0.8		
	≅ 958072010	NIPPLE 1/8X1/8		
17	958073000	SPACER		
18	958075010	SPRING FOR VALVE		
19	958076000	ADJUST. SCREW		
20	958231000	MINI-VALVE		
22	4741133394	RUBBER ANTIVIBRATION		
23	3951117886	COMPREHENSIVE PIPE		
23	532304400	VALVE BLOCK-PUMP TUBE NF	N:NSF	
24	3951130515	PIPE 3/8X 3/8 120øMM 2200		
24	532304300	PIPE 3/8 NF	N:NSF	
25	4004136622	SCREW M6		
26	4081021923	RING		
27	4821023082	MOTOR JOINT		
28	4821108987	PUMP JOINT		
29	533898300R	SOLENOID VALVE 2 WAY 220/240 V 50HZ		
29	533898800	SOLENOID VALVE 110-120 60 HZ RUVECO	N:UL	
29	533895600R	SOLENOID VALVE 2R 220-240/60 NF	N:UL	
30	220000016	SILICONE PIPE D 6X10		
31	530111000	FUSE HOLDER	N:UL	
32	530112200	FUSE CC15 A	N:UL	
33	531492900	CAPACITOR 10mF	N:UL	





Pos	Part Number	Description	Validity	Notes
1	532009600	MAIN SWITCH		
2	530112100	SUPPLY WIRE		
2	530119100	SUPPLY CABLE 3x1.5 L1830mm	N:KTL	
3	532130608	CABLE FASTENER CLAMP		
4	535877000	SINGLE-PHASE C FILTER WITH FAST-ON		
5	535935000	SINGLE-PHASE LOW-VOLTAGE WIRING		
6	958057010	ELECTRIC BOX COVER		
7	537060600	BASE BOARD		
	⇒ 958889000	ELECTRONIC BOARD		
7	537060700	BASE BOARD	T:110V	
	⇒ 959713000	CPU BASE BOARD 120 V	T:110V	
8	3501117396	FUSE 5X20 4A		
9	535936000	SINGLE-PHASE HIGH-VOLTAGE WIRING		
10	530119700	POWER SUPPLY CABLE	N:UL	
	⇒ 530119200	3X14AWG SUPPLY CABLE WITH PLUG	N:UL	



Pos	Part Number	Description	Validity	Notes
1	457058000	DISK CLEANING GROUP		
2	457355017	FILTERHOLDER BODY		
2	457395017F	FILTER-HOLDER BODY NSF	N:NSF	
	⇔ 457395007F	NSF FILTER HOLDER BODY	N:NSF	
3	457357007	SPOUT COVER		
4	457358017	1 WAY SPOUT		
5	457367000	1-CUP FILTER LOW		
6	457369000	2-CUP FILTER		
7	457874000	SPRING FOR LOCKING THE COFFEE FILTER		
8	457895020	SPOUT DOUBLE SHORT		
9	957181000	FILTER-HOLDER KNOB CAP CASADIO		
10	957821000	FILTER-HOLDER GRIP QUINDICI		
11	4142011678	SPOUT HOLE CLOSING PLUG		
12	958577080F	1-WAY FILTER-HOLDER		
	⇔ 958577070F	1-WAY FILTER-HOLDER		
12	957783020F	372 (E) NSF 1-WAY FILTER-HOLDER LOW COST	N:NSF	
	⇔ 957783010F	1-WAY NSF (E) FILTER HOLDER	N:NSF	
13	958578080F	2-WAY FILTER-HOLDER		
	⇔ 958578070F	2-WAY FILTER-HOLDER		
13	957782020F	2-WAY NSF FILTER-HOLDER	N:NSF	
	⇔ 957782010F	2-WAY NSF (E) FILTER HOLDER	N:NSF	

Pos	Part Number	Description	Validity	Notes
-	978513010	COFFEE SELECTION GROUP		
-	978534000	WATER SELECTION GROUP		
-	978563000F	HEATING HELEMENT 220V 2700W L=202		
-	958577080F	1-WAY FILTER-HOLDER		
-	958578080F	2-WAY FILTER-HOLDER		