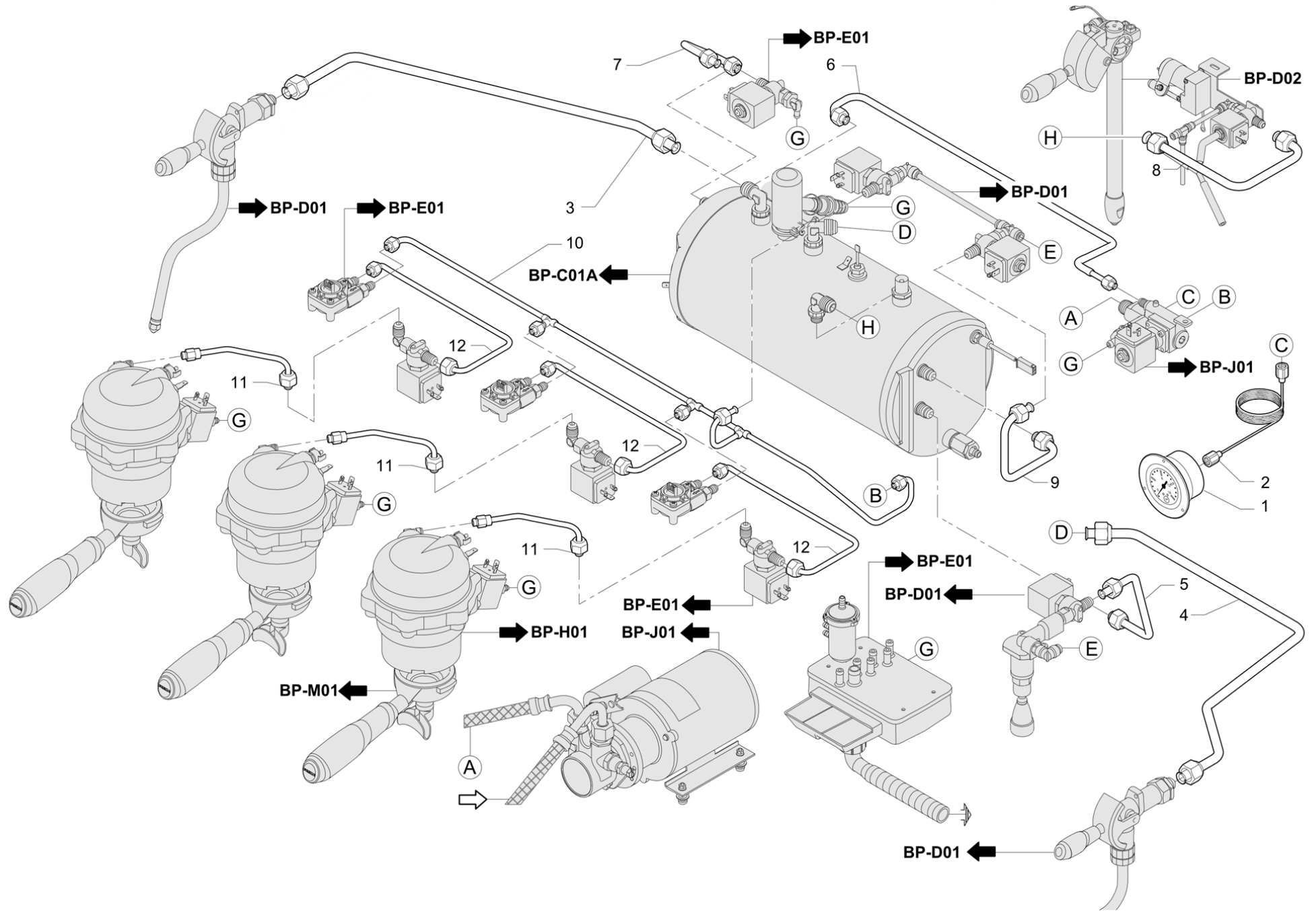
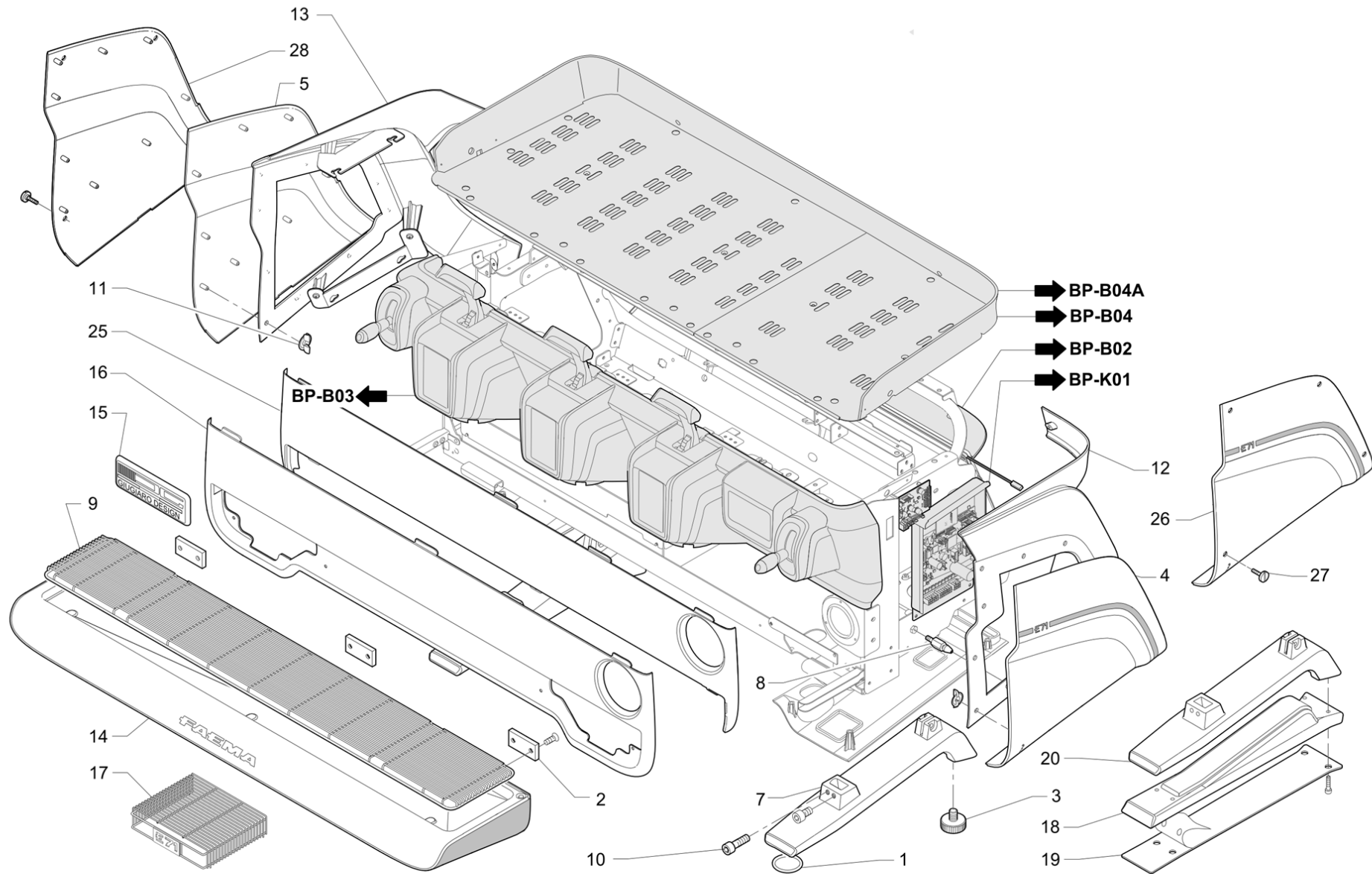


Pos	Part Number	Description	Validity	Notes
1	531194500	PUMP MANOMETER		
2	3951133673	TUBE FOR GAUGE		
3	983526010F	LH STEAM TUBE - 2 GROUPS		
3	983534010F	LH STEAM TUBE - 3 GROUPS		
3	983526018F	2 GR LH STEAM TUBE ASSEMBLY NSF	N:NSF	
3	983534008F	3 GR LH STEAM TUBE ASSEMBLY NSF	N:NSF	
4	983527010F	RH STEAM TUBE ASS. 2GR		
4	983527008F	2 GR RH STEAM TUBE ASSEMBLY NSF	N:NSF	
5	983528020F	HOT WATER TUBE ASSEMBLY		
6	983529010F	FILLER TUBE ASS. (REPLACES 483529000F)		
	⇌ 983529000F	DISCHARGE TUBE		
7	983530020F	ANTI-WHIRLPOOL VALVE TUBE ASS.		
7	983530018F	ANTI-WHIRLPOOL SOLENOID VALVE TUBE ASSEM	N:NSF	
8	983531020F	BOILER/SOLENOID VALVE TUBE - 2 GROUPS		
8	983531020F	BOILER/SOLENOID VALVE TUBE - 2 GROUPS		
	⇌ 983539020F	3 GR SOLENOID VALVE TUBE ASS.		
8	983531028F	2 GR ELEC.VALVE TUBE ASS. RH FR. PANEL N	N:NSF	
8	983531028F	2 GR ELEC.VALVE TUBE ASS. RH FR. PANEL N	N:NSF	
	⇌ 983539028F	3 GR ELEC.VALVE TUBE ASS. RH FR. PANEL N	N:NSF	
9	983532010F	SOLENOID VALVE STEAM TUBE, WATER		
9	983532008F	WATER SOLENOID VALVE STEAM TUBE ASS. NSF	N:NSF	
10	983533020F	FAN CONNECTION TUBE E71 - 2 GROUPS		
10	983713020F	FAN CONNECTION TUBE E71 - 3 GROUPS		
11	983711013F	BOILER/SOLENOID VALVE TUBE ASSEMBLY - GT		
	⇌ 983711003F	BOLIER TUBE ASSEMBLY		
11	983547010F	BOILER TUBE ASSEMBLY NSF	N:NSF	
	⇌ 983547000F	BOLIER TUBE ASSEMBLY	N:NSF	
12	983712010F	FAN/SOLENOID VALVE TUBE E71		
13	983555010F	LH STEAM TUBE - 2 GROUPS		
	⇌ 983555000F	LH STEAM TUBE ASS. 2GR		
13	983555018F	LH STEAM TUBE 2GR RUV	N:NSF	
	⇌ 983555008F	LH STEAM TUBE ASS. 2GR RUV	N:NSF	
13	983554010F	LH STEAM TUBE - 3 GROUPS		
	⇌ 983554000F	LH STEAM TUBE ASS. 3GR		
13	983554018F	LH STEAM TUBE 3GR RUV	N:NSF	
	⇌ 983554008F	LH STEAM TUBE ASS. 3GR RUV.	N:NSF	
14	983553010F	RH STEAM TUBE E71 2GR		
	⇌ 983553000F	RH STEAM TUBE ASSEMBLY E71 2GR		
14	983553018F	RH ST. TUBE E71 2GR RUV	N:NSF	
	⇌ 983553008F	RH STEAM TUBE ASSEMBLY E71 2GR RUV.	N:NSF	

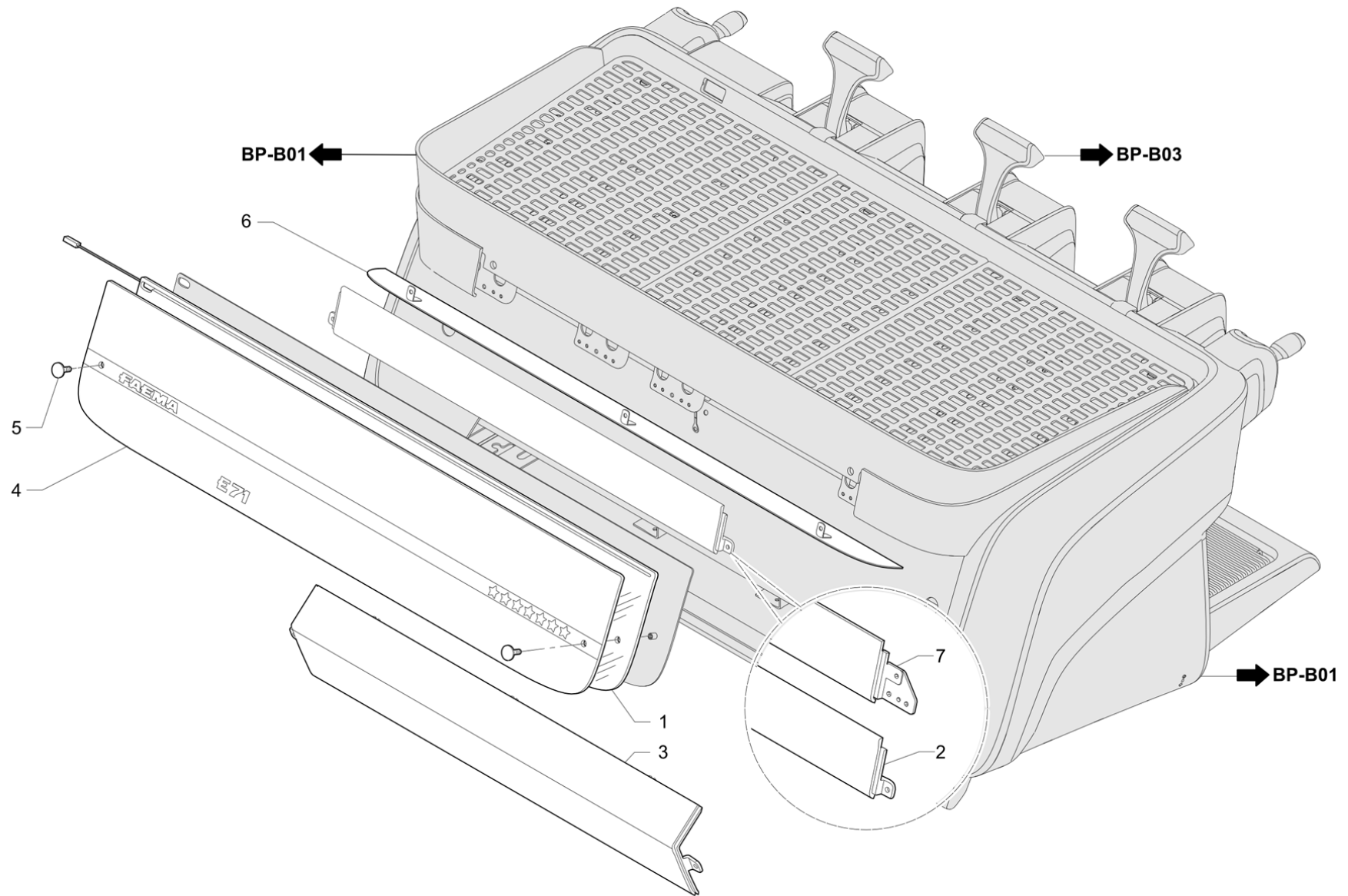


Pos	Part Number	Description	Validity	Notes
1	531194500	PUMP MANOMETER		
2	3951133673	TUBE FOR GAUGE		
3	983308000F	2 GROUPS LH STEAM TUBE ASS.		
3	983306000F	3 GROUPS LH STEAM TUBE ASS.		
3	983308008F	2 GR LH STEAM TUBE ASSEMBLY NSF	N:NSF	
3	983306008F	3 GR LH STEAM TUBE ASSEMBLY NSF	N:NSF	
4	983307010F	RH STEAM TUBE ASS.		
4	983307018F	RH STEAM TUBE ASS. NSF	N:NSF	
5	983528020F	HOT WATER TUBE ASSEMBLY		
6	983529010F	FILLER TUBE ASS. (REPLACES 483529000F)		
7	983530020F	ANTI-WHIRLPOOL VALVE TUBE ASS.		
7	983530018F	ANTI-WHIRLPOOL SOLENOID VALVE TUBE ASSEM	N:NSF	
8	983558030F	EV AS PIPE ASSY		
8	983558038F	EV AS PIPE ASSY RUVECO	N:NSF	
9	983559010F	WATER SOLENOID VALVE STEAM TUBE ASSY		
9	983559018F	WATER SOLENOID VALVE STEAM TUBE ASSY RUV	N:NSF	
10	983533020F	FAN CONNECTION TUBE E71 - 2 GROUPS		
10	983713020F	FAN CONNECTION TUBE E71 - 3 GROUPS		
11	983711013F	BOILER/SOLENOID VALVE TUBE ASSEMBLY - GT		
11	983547010F	BOILER TUBE ASSEMBLY NSF	N:NSF	
12	983712010F	FAN/SOLENOID VALVE TUBE E71		

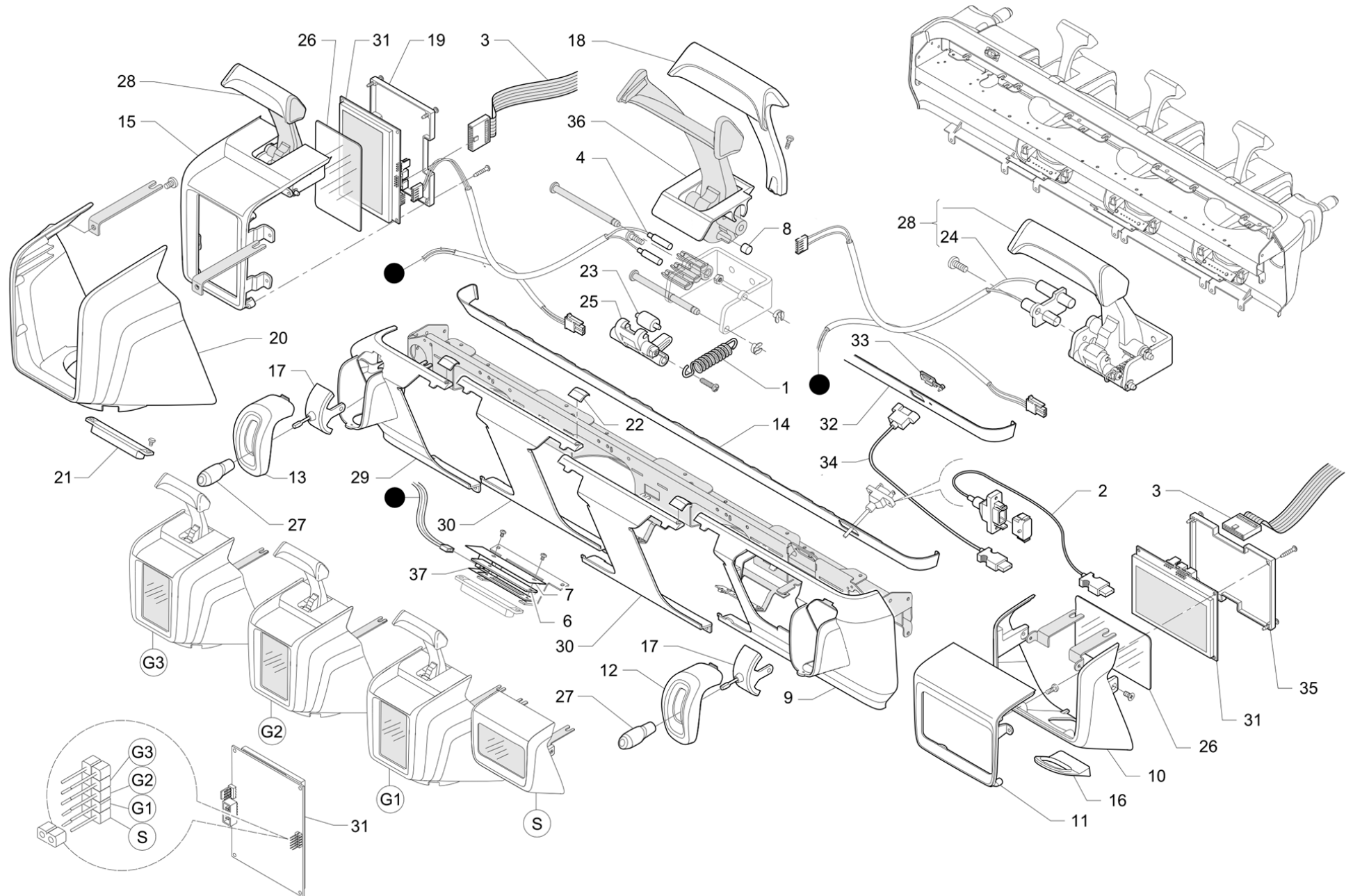


Pos	Part Number	Description	Validity	Notes
1	402239000	OR GASKET 32.93 x 3.53		
2	430020020	MAGNET DRIP TRY		
3	940230000	FOOT		
4	983022024	RH REMOVABLE SIDE PANEL, BLACK	C:N	
	⇌ 983022014	RH REMOVABLE SIDE PANEL, BLACK	C:N	
4	983251014	RH REMOVABLE SIDE PANEL, BLACK UL	C:N,N:UL	
	⇌ 983251004	RH REMOVABLE SIDE PANEL, BLACK UL	C:N,N:UL	
4	983211014	RH REMOVABLE SIDE PANEL, WHITE	C:W	
	⇌ 983211004	RH REMOVABLE SIDE PANEL, WHITE	C:W	
4	983253014	RH REMOVABLE SIDE PANEL, WHITE UL	C:W,N:UL	
	⇌ 983253004	RH REMOVABLE SIDE PANEL, WHITE UL	C:W,N:UL	
5	983023024	LH REMOVABLE SIDE PANEL, BLACK	C:N	
5	983252004	LH REMOVABLE SIDE PANEL, BLACK UL	C:N,N:UL	
5	983212004	LH REMOVABLE SIDE PANEL, WHITE	C:W	
5	983254004	LH REMOVABLE SIDE PANEL, WHITE UL	C:W,N:UL	
7	983036014	FOOT E70		
7	983347004	E71E FOOT	C:N	
8	983132000	SIDE PANEL FIXING PIN E71		
9	983137010	3-GR BASIN GRILLE		
9	983136010	2-GROUP BASIN GRILLE		
10	983185000	SCREW FOR FOOT ADJUSTMENT		
10	983350004	E71E DISPLAY COMMAND PANEL	C:N	
11	4164133065	CLIP FOR PANEL		
12	995950000	RH PANEL - ALUMINIUM UPGRADE		
	⇌ 983889000	RH SIDE PANEL ASSEMBLY E71 SP.PART		
12	995952000	RH PANEL BLACK UPGRADE	C:N	
	⇌ 995828000	E71E RH SIDE ASSEMBLY, BLACK SP	C:N	
13	995951000	LH PANEL - ALUMINIUM UPGRADE		
	⇌ 983888000	LH SIDE PANEL ASSEMBLY E71 SP.PART		
13	995953000	LH PANEL BLACK UPGRADE	C:N	
	⇌ 995829000	E71E BLACK LH SIDE ASSEMBLY, BLACK SP	C:N	
14	983842000	BASIN E71 - 3 GROUPS		
14	983843000	BASIN E71 - 2 GROUPS		
14	983922000	HV 3 GR E71 TC BASIN ASSEMBLY	H:TC	
14	983921000	HV 2 GR E71 TC BASIN ASSEMBLY	H:TC	
15	983226000	GIUGIARO DESIGN LABEL		
16	983035020	PANNEL 3 GR		
	⇌ 983035010	3-GR SLUICE VALVE		
16	983034020	PANNEL 2 GR		
	⇌ 983034010	2 GR SLUICE VALVE		
17	983301000	ADDITIONAL BASIN GRILLE E71	H:TC	
18	983245000	FOOT SUPPORT NSF	N:NSF	
19	983250000	FEET RUBBER NSF	N:NSF	
20	983268004	FOOT NSF	N:NSF	
25	983239010	PANNEL 2 GR TALL VERSION	H:TC	

Pos	Part Number	Description	Validity	Notes
	⇒ 983239000	HV 2 GR SLUICE-VALVE	H:TC	
25	983156010	PANNEL 3 GR TALL VERSION	H:TC	
	⇒ 983156000	HV 3-GR SLUICE-VALVE	H:TC	
26	983447004	RH PANEL BLACK UPGRADE	C:N	
26	983480004	RH PANEL BLACK UL UPGRADE	C:N,N:UL	
26	983481004	RH PANEL - WHITE UPGRADE	C:W	
26	983453004	RH PANEL - WHITE UL UPGRADE	C:W,N:UL	
27	983490000	SIDE FIXING SCREW UPGRADE		
28	983445004	LH PANEL BLACK	C:N	
28	983459004	LH PANEL BLACK UL UPGRADE	C:N,N:UL	
28	983460004	LEFT PANEL - WHITE UPGRADE	C:W	
28	983461004	LEFT PANEL - WHITE UL UPGRADE	C:W,N:UL	

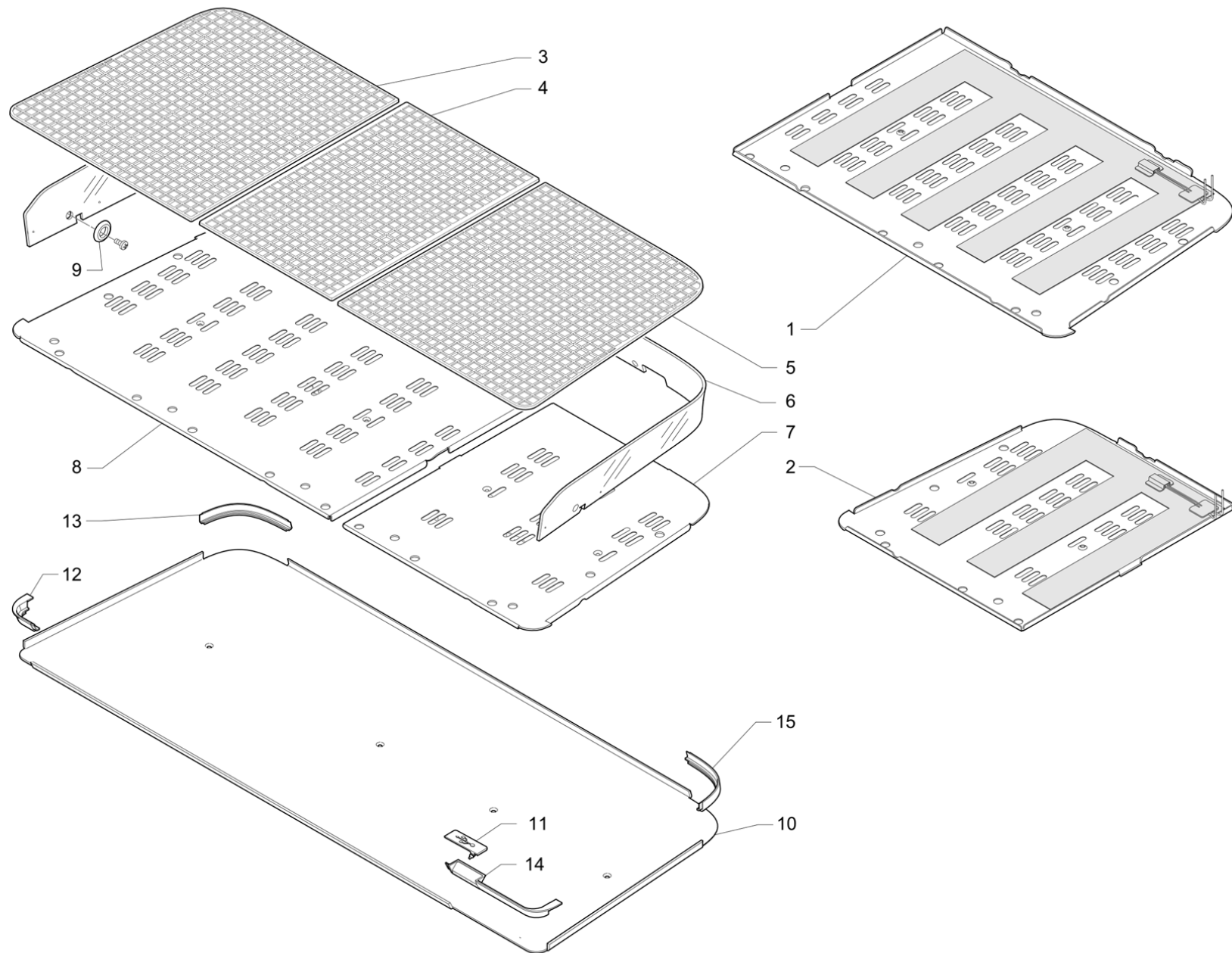


Pos	Part Number	Description	Validity	Notes
1	983019000	REAR LED GLASS - 3 GROUPS		
1	983143000	REAR LED GLASS - 2 GROUPS		
2	983025024	UPPER REAR CLOSURE - 3 GROUPS		
2	983024024	UPPER REAR CLOSURE - 2 GROUPS		
2	983342004	E71E 3GR UPPER REAR CLOSING	C:N	
2	983343004	E71E 2GR UPPER REAR CLOSURE	C:N	
3	983475004	LOW. REAR PAN. 3GR ALUMINIUM		
	⇔ 983027014	LOWER REAR CLOSURE - 3 GROUPS		
3	983471004	LOW. REAR PAN. 2GR ALUMINIUM		
	⇔ 983026014	LOWER REAR CLOSURE - 2 GROUPS		
3	983437004	LOW. REAR PAN. 2GR BLACK	C:N	
	⇔ 983345004	E71E 2GR LOWER REAR CLOSURE	C:N	
3	983438004	LOW. REAR PAN. 3GR BLACK	C:N	
	⇔ 983344004	E71E 3GR LOWER REAR CLOSURE	C:N	
4	983192010	PERSONALISED PANEL - 3 GROUPS, BLACK		
4	983195010	PERSONALISED PANEL 2 GROUPS, BLACK		
4	983194010	PERSONALISED PANEL 2 GROUPS, WHITE		
4	983191010	PERSONALISED PANEL - 3 GROUPS, WHITE		
5	983196000	REAR PANEL FIXING SCREW E71		
6	983516020	LIGHTS PANEL - 3 GROUPS		
6	983517020	LIGHTS PANEL - 2 GROUPS		
7	983473004	UPP. REAR CLOSURE 2GR ALUMINIUM UPGRADE		
7	983477004	UPP. REAR CLOSURE 3GR ALUMINIUM UPGRADE		
7	983440004	UPP. REAR CLOSURE 2GR BLACK UPGRADE	C:N	
7	983439004	UPP. REAR CLOSURE 3GR BLACK UPGRADE	C:N	

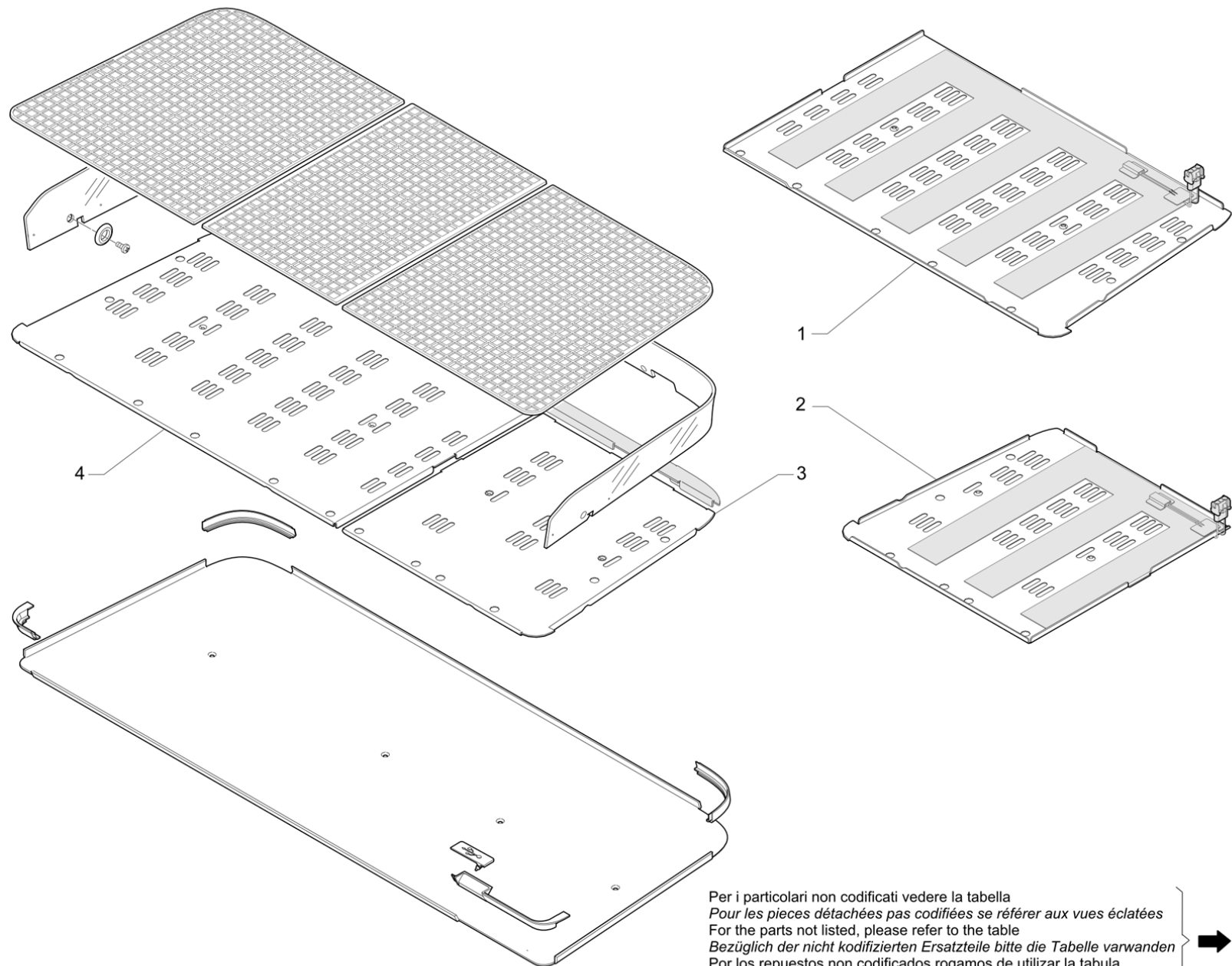


Pos	Part Number	Description	Validity	Notes
1	532742010	BASE-COVER SPRING		
2	535850000	USB EXTENSION + CAP		
3	535944020	DISPLAY CABLING 3gr		
3	535965010	DISPLAY CABLING 2GR		
4	535964010	LEVER SENSOR WIRING		
6	538048000	LED CARD FOR GROUP		
7	983486000	LIGHTS BOARD PROTECTION E71		
8	947076000	MAGNET FOR TURBOSTEAM COMMAND		
9	983012044	RIGHT-HAND COMMAND PANEL		
	⇒ 983012034	RIGHT-HAND COMMAND PANEL		
9	983361004	RH COMMAND PANEL BLACK	C:N	
10	983015004	DISPLAY COMMAND PANEL		
10	983350004	E71E DISPLAY COMMAND PANEL	C:N	
11	983016010	DISPLAY FRAME		
11	983260010	DISPLAY FRAME UL	N:UL	
12	983017020	RH TAP CLOSURE		
12	983261000	RH TAP CLOSURE UL	N:UL	
13	983018020	LH TAP CLOSURE		
13	983262000	LH TAP CLOSURE UL	N:UL	
14	983020010	REAR COMMAND PANEL CLOSURE - 2 GROUPS		
14	983021010	REAR COMMAND PANEL CLOSURE - 3 GROUPS		
15	983031010	GROUP TOUCH FRAME		
	⇒ 983031000	GROUP TOUCH FRAME		
15	983263010	GROUP TOUCH FRAME UL	N:UL	
16	983061020	WATER WAND CAP		
17	983066030	COMPLETE STEAM TAP CAM		
18	983099000	GROUP LEVER COVER E71		
19	983139010	DISPLAY CLOSURE		
19	983258010	UL DISPLAY CLOSURE CAP	N:UL	
	⇒ 983258000	DISPLAY CLOSURE UL	N:UL	
20	983157004	UPPER BOILER CASING		
21	983159000	GROUP LIGHT GLASS E71		
22	983161004	COMMAND PANEL COVER		
23	983166030	SELECTOR		
24	983557010	LEVER E71 SENSOR ASSEMBLY		
	⇒ 983557000	LEVER E71 SENSOR ASSEMBLY		
25	983170010	SELECTION WHEEL LEVER		
26	983296000	DISPLAY GLASS E71 WITH SPONGE		
	⇒ 983178000	TOUCH SCREEN PROTECTION		
27	983537000	STEAM LEVER ASSEMBLY E71		
28	983727010	GROUP SELECTOR LEVER		
	⇒ 983727000	GROUP LEVER E71		
29	983738030	LH CASING ASSEMBLY		
	⇒ 983738020	LH CASING ASSEMBLY		
29	995700000	BLACK LH CASING ASSY	C:N	

Pos	Part Number	Description	Validity	Notes
30	983739010	CENTRAL CASING		
30	995701000	BLACK CENTRAL CASING ASSY	C:N	
31	983845010	TOUCHSCREEN DISPLAY		
	⇌ 983845000	TOUCHSCREEN DISPLAY		
32	983020020	REAR COMMAND PANEL CLOSURE - 2 GROUPS		
32	983021020	REAR COMMAND PANEL CLOSURE - 3 GROUPS		
33	747001000	USB CAP		
	⇌ 983236000	USB CAP		
34	530152300	USB EXTENSION		
35	983231010	DISPLAY CLOSURE CAP		
	⇌ 983231000	DISPLAY CLOSURE		
35	983259010	UL DISPLAY CLOSURE CAP	N:UL	
	⇌ 983259000	DISPLAY CLOSURE UL	N:UL	
36	983240000	INFUSION LEVER PROTECTION	N:UL	
37	983298000	GROUP LIGHT PROTECTION GLASS E71		



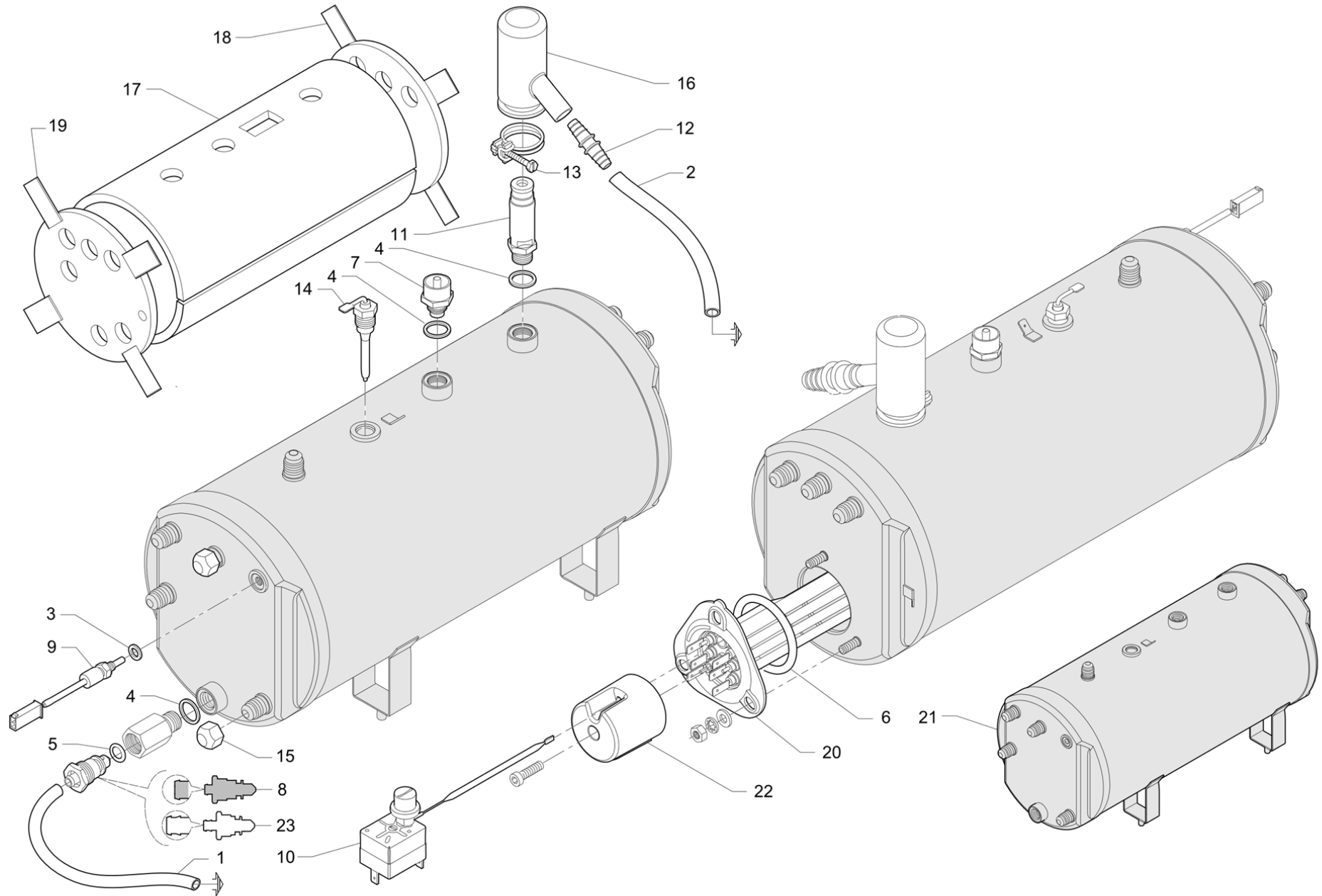
Pos	Part Number	Description	Validity	Notes
1	983839000	LH CUP-WARMER PLATE E71 - 3 GROUPS, WITH		
1	983844000	LH CUP-WARMER PLATE E71 - 2 GROUPS, WITH		
2	983840000	RH CUP-WARMER PLATE E71, WITH RESISTOR		
3	983294010	LH GRILLE E71 2/3GR		
	⇌ 983294000	LH GRILLE E71 2/3GR		
4	983293010	CENTRAL GRILLE E71 3GR		
	⇌ 983293000	CENTRAL GRILLE E71 3GR		
5	983295010	RH GRILLE E71 2/3 GR		
	⇌ 983295000	RH GRILLE E71 2/3 GR		
6	983450000	GLASS - 3 GROUPS		
	⇌ 983048000	GLASS - 3 GROUPS		
6	983449000	GLASS - 2 GROUPS		
	⇌ 983047000	GLASS - 2 GROUPS		
7	983053020	RH CUP-WARMER PLATE E71		
8	983055020	LH CUP-WARMER PLATE E71 - 3 GROUPS		
8	983054020	LH CUP-WARMER PLATE E71 - 2 GROUPS		
9	930081000	PREXIGLASS RING		
10	983242000	2 GR E71 CUP-WARMERS CLOSURE	N:UL	
10	983241000	3 GR E71 CUP-WARMERS CLOSURE	N:UL	
11	983273000	USB CAP UL	N:UL	
12	983246000	LH CUP-WARMERS FRONT CLOSURE UL	N:UL	
13	983247000	LH CUP-WARMERS REAR CLOSURE UL	N:UL	
14	983248000	RH CUP-WARMERS FRONT CLOSURE UL	N:UL	
15	983249000	RH CUP-WARMERS REAR CLOSURE UL	N:UL	



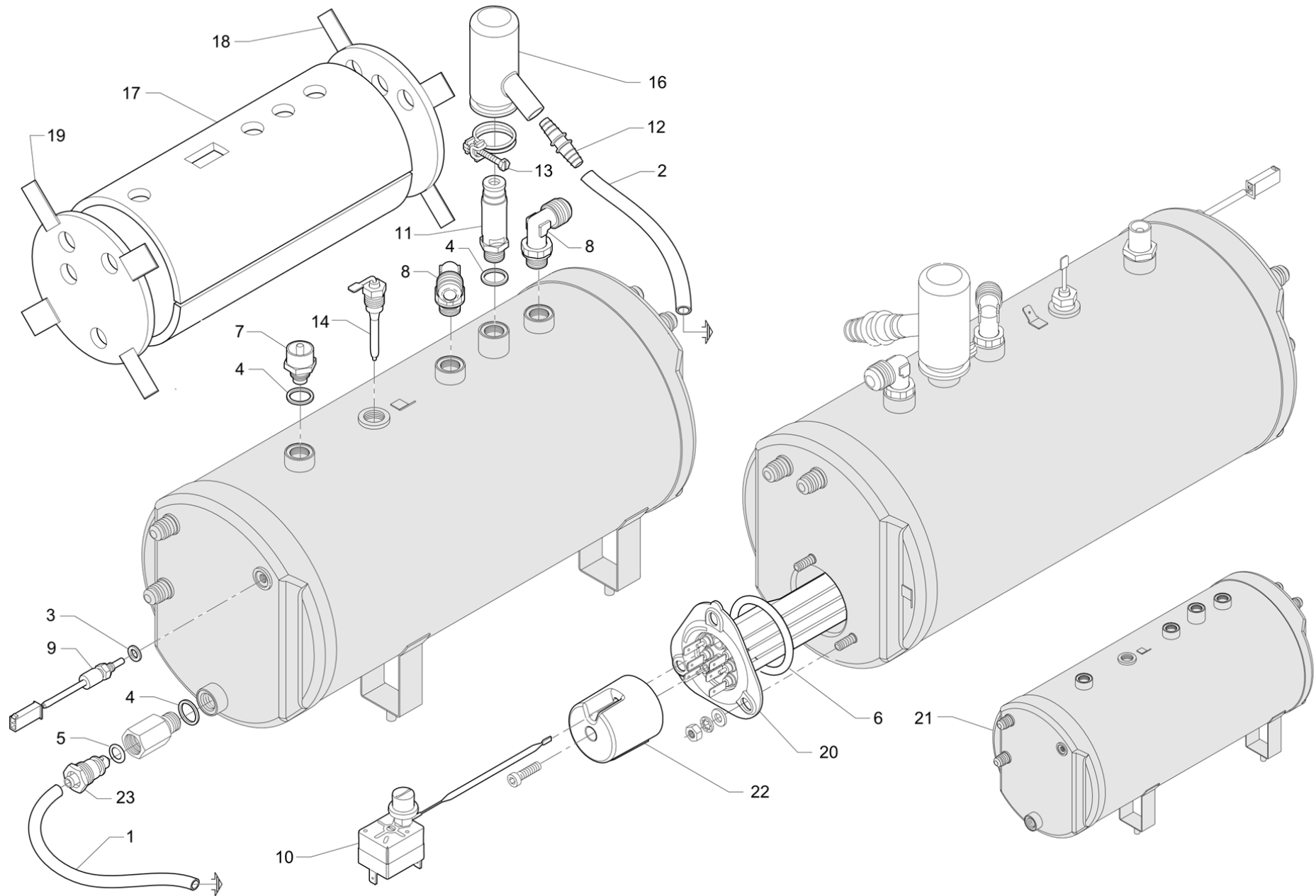
Per i particolari non codificati vedere la tabella
 Pour les pièces détachées pas codifiées se référer aux vues éclatées
 For the parts not listed, please refer to the table
 Bezüglich der nicht kodifizierten Ersatzteile bitte die Tabelle verwenden
 Por los repuestos no codificados rogamos de utilizar la tabula
 Pelos particulares no codificados outar as tabela

➔ BP-B04

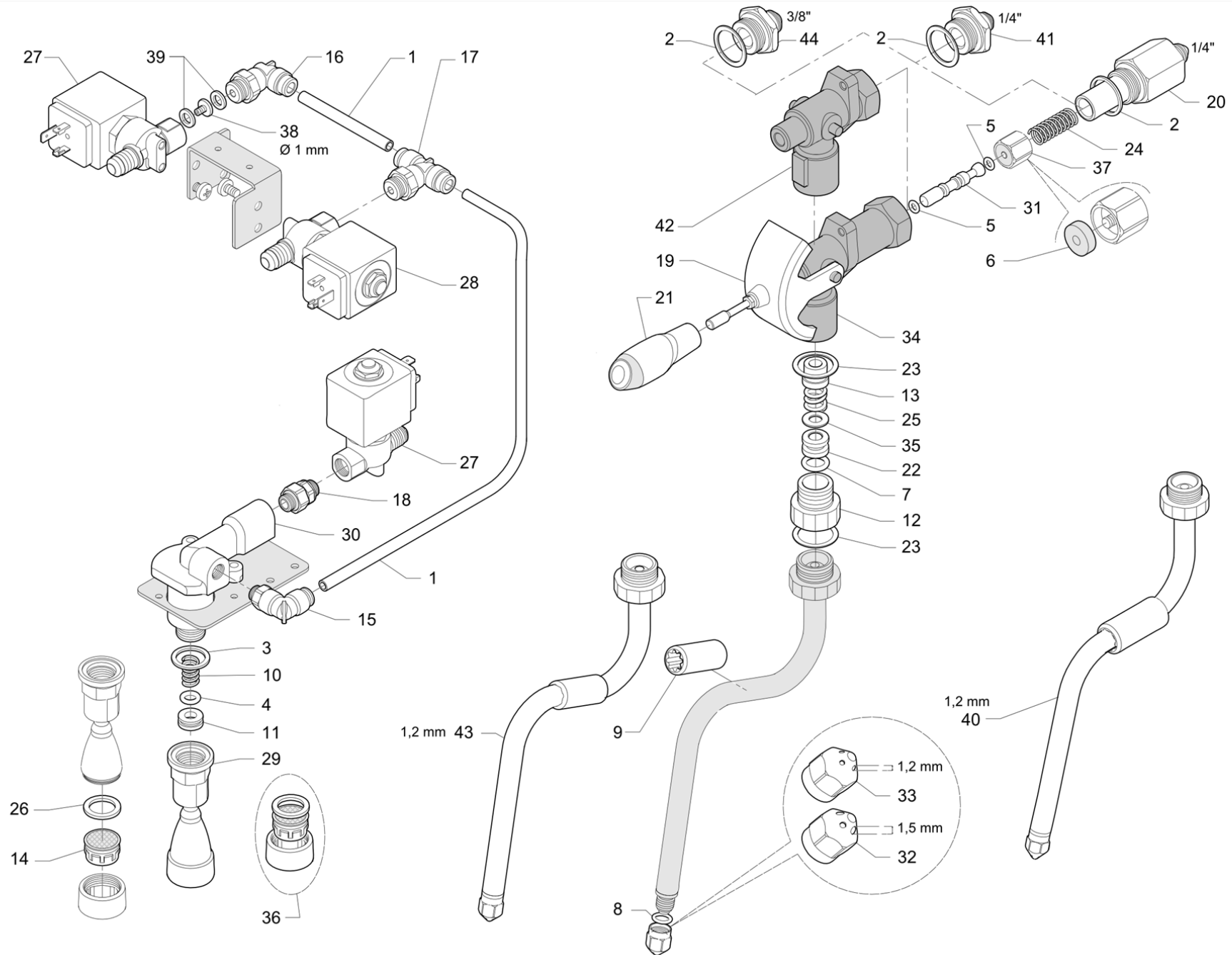
Pos	Part Number	Description	Validity	Notes
1	995954000	LH WARMER PLATE 3GR W/RES UPGRADE		
1	995955000	LH WARMER PLATE 2GR W/RES UPGRADE		
2	995956000	RH WARMER PLATE W/RES UPGRADE		
3	983491010	RH CUP-WARMER PLATE 2GR		
4	983492010	LH CUP-WARMER PLATE 2GR		
4	983493010	LH CUP-WARMER PLATE		



Pos	Part Number	Description	Validity	Notes
1	220000016	SILICONE PIPE D 6X10		
2	220000017	SILICONE PIPE D 10X15		
3	401235020	GASKET 11X6,5X1,5		
4	401250010	GASKET § 17,9X14,2X1,5		
5	402220000	O-RING 9,13X2,62		
6	402277000	OR 46.99 X 5.33 VITON (550600710)		
7	418941010	ANTI-UNDERTOW VALVE ASS.		
8	419088000	DISC. DRAIN TAP		
9	531194810	COFFEE BOILER PROBE		
10	531194720	SFTY. THERMOSTAT		
11	532392500	SAFETY VALVE 1,9 1/4G		
12	532601000	HOSE ADAPTOR		
13	532746200	CABLE TIE-RAPS WITH SCREW		
14	959714000	COMPLETE LEVEL PROBE		
15	593059020	PLUG NUT 1/4"		
16	966492000	SAFETY VALVE PROTECTION		
17	983186010	BOILER INSULATION E71		
	⇒ 983186000	BOILER INSULATION E71		
18	983187010	RH BOILER INSULATION		
19	983188010	LH BOILER INSULATION		
20	983570000F	230 V 3600 W ELECTRIC RESISTOR		
	⇒ 983544010F	240 V 3600 W ELECTRIC RESISTANCE		
20	983570000F	230 V 3600 W ELECTRIC RESISTOR	M:JP	
21	983541000F	7-LITRE BOILER E71		
22	956160010	BOILER RESISTOR GUARD		
23	419077010	DRAIN TAP DISC		

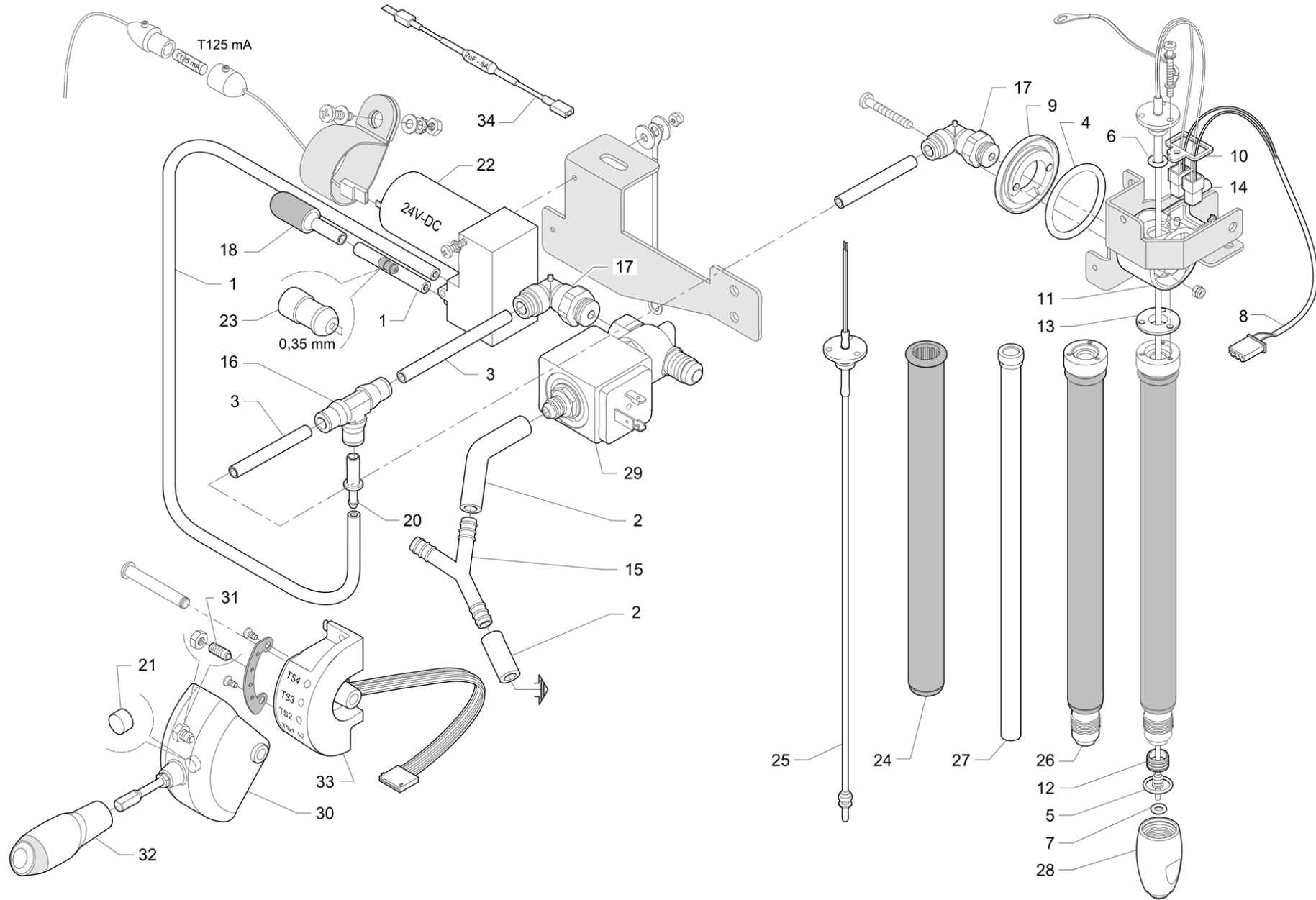


Pos	Part Number	Description	Validity	Notes
1	220000016	SILICONE PIPE D 6X10		
2	220000017	SILICONE PIPE D 10X15		
3	401235020	GASKET 11X6,5X1,5		
4	401250010	GASKET § 17,9X14,2X1,5		
5	402220000	O-RING 9,13X2,62		
6	402277000	OR 46.99 X 5.33 VITON (550600710)		
7	418941010	ANTI-UNDERTOW VALVE ASS.		
8	532404010F	ELBOW CONNECTOR 1/4		
9	531194810	COFFEE BOILER PROBE		
10	531194720	SFTY. THERMOSTAT		
11	532392500	SAFETY VALVE 1,9 1/4G		
12	532601000	HOSE ADAPTOR		
13	532746200	CABLE TIE-RAPS WITH SCREW		
14	959714000	COMPLETE LEVEL PROBE		
16	966492000	SAFETY VALVE PROTECTION		
17	983186020	BOILER INSULATION E71		
18	983187020	RH BOILER INSULATION E71		
19	983188020	LH BOILER INSULATION E71		
20	983570000F	230 V 3600 W ELECTRIC RESISTOR	M:JP	
20	983570000F	230 V 3600 W ELECTRIC RESISTOR		
	⇌ 983544010F	240 V 3600 W ELECTRIC RESISTANCE		
21	983572000F	E71 TESTED NEW 7 LITERS BOILER ASSEMBLY		
22	956160010	BOILER RESISTOR GUARD		
23	419077010	DRAIN TAP DISC		

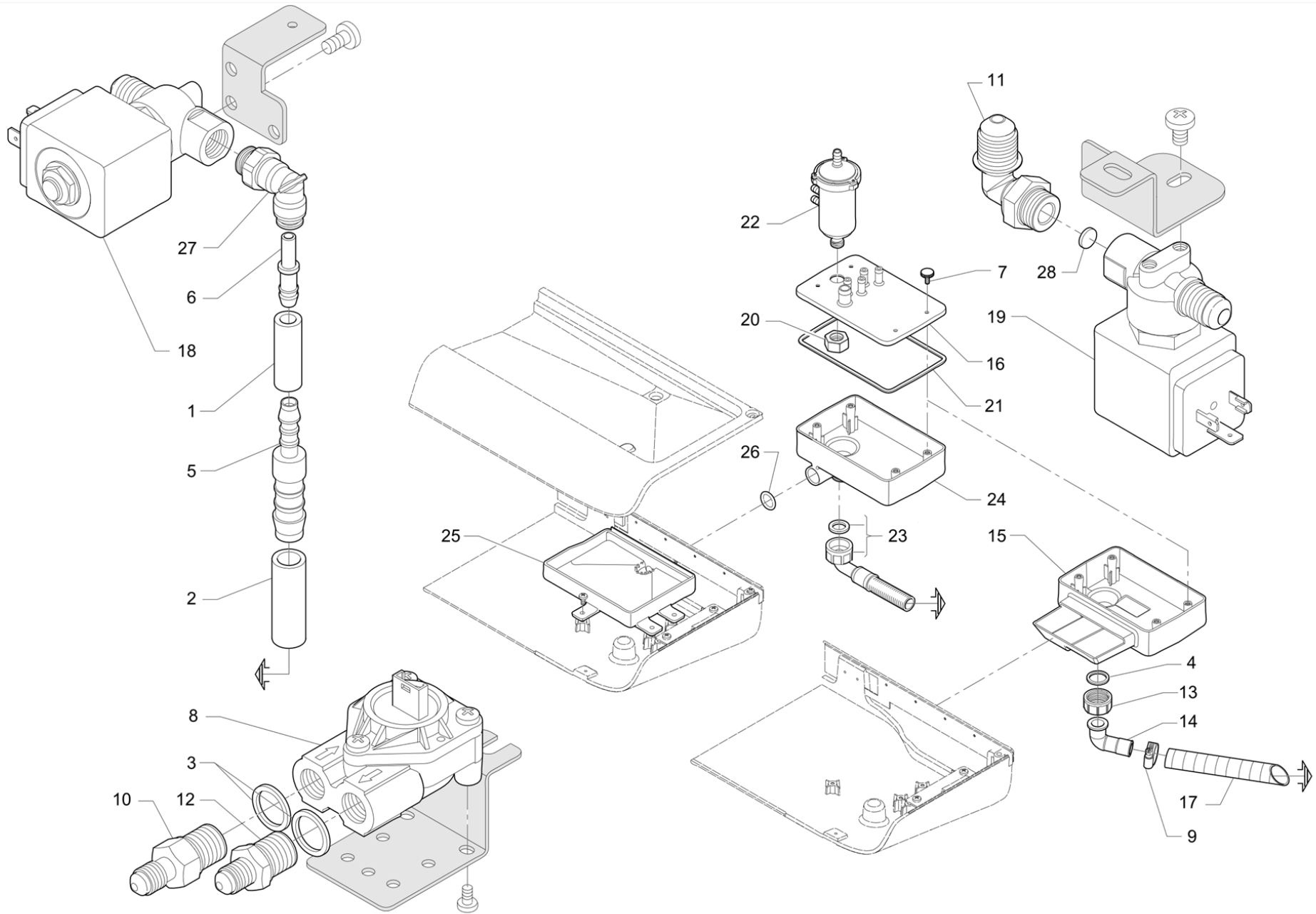


Pos	Part Number	Description	Validity	Notes
1	220000022	RISLAN PIPE 4X6		
2	400335010	GASKET 21X24,5X1,5		
3	401183010	GASKET 22X17X1,5 INLET VALVE		
4	401204000	GASKET		
5	402196000	O-RING 4,20X1,90		
6	402205000	GASKET NF		
7	402206000	GASKET		
8	402223000	O-RING 7,65X1,78 TS PROBE		
9	430119010	SLEEVE		
10	485061010	STAIN LESS STEEL SPRING		
11	485078010	GASKET		
12	485200038	COVER FOR STEAM TUBE CONFIGURATION		
	⇌ 485200028	FITTING		
13	983310008F	STEAM TAP SPACER		
14	532305000	FILTER		
15	532656000	G1/8 M RUBB.CONN.		
16	532656100	G1/4 M RUBB.CONN.		
17	532657200	CONNECTOR 1/4		
18	532660500F	CONNECTOR 1/4		
19	983066030	COMPLETE STEAM TAP CAM		
20	983172018	CONNECTOR FOR TAP E71 WITH RUVECO		
21	983537000	STEAM LEVER ASSEMBLY E71		
22	4161132346	BUSH IN TEFLON		
23	4701116694	GASKET		
24	4731030495	SPRING		
25	4731132350	SPRING STEAM WAND		
26	402320000F	21X15X2 NSF SEAL		
27	533903000F	SOLENOID VALVE 1/4 M/F FKM		
27	533903400F	SOLENOID VALVE 2/2	N:UL	
28	533903100F	SOLENOID VALVE 2/2 5mm 1/4 M/F		
28	533903500F	SOLENOID VALVE 2/2	N:UL	
29	936960020F	WATER WAND ASSEMBLY W/PLASTIC CAP		
30	983150018F	WATER MIXER BODY E71		
31	983203010F	LEG FOR TAP VALVE, STAINLESS STEEL		
32	983214000F	STEAM BULB E71 - diam.1.5		
32	983287000F	E71 STEAM BULB - 1.5 NSF	N:NSF	
33	983219000F	STEAM BULB E71 - diam.1.2		
33	983309000F	STEAM BULB E71 DIAM 1.2 NSF	N:NSF	
34	983518020F	TAP BODY ASSEMBLY		
34	983546010F	WATER TAP BODY ASSEMBLY NSF	N:NSF	
35	485336000F	FLAT WASHER		
36	985716020F	M22X1 JET BREAKER		
37	903995010	WATER AND STEAM VALVE		
38	915274000	NOZZLE OF 1MM NF		
39	401235020	GASKET 11X6,5X1,5		

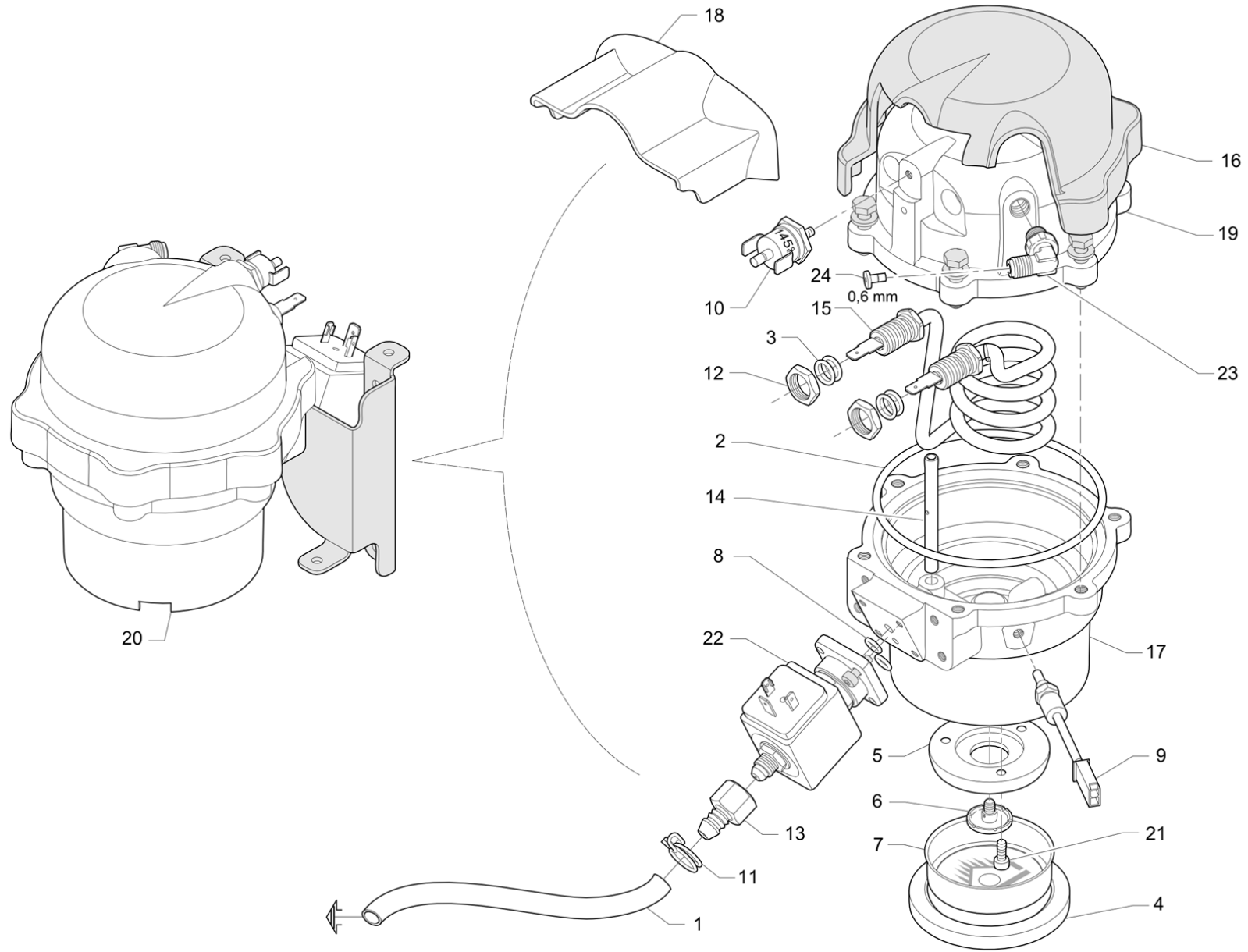
Pos	Part Number	Description	Validity	Notes
40	983871010F	TOUCH STEAM WAND E71 HV	H:TC	
40	983940000F	TOUCH STEAM WAND E71 HV NSF	H:TC,N:NSF	
41	485219008	UNION		
42	983552000F	TAP ASSEMBLY E71		
42	983556000F	TAP ASSEMBLY E71 NSF	N:NSF	
43	983750010F	TOUCH STEAM WAND E71		
43	983760020F	TOUCH STEAM WAND E71 NSF	N:NSF	
44	983304008F	CONNECTOR FOR RUVECATO TAP		



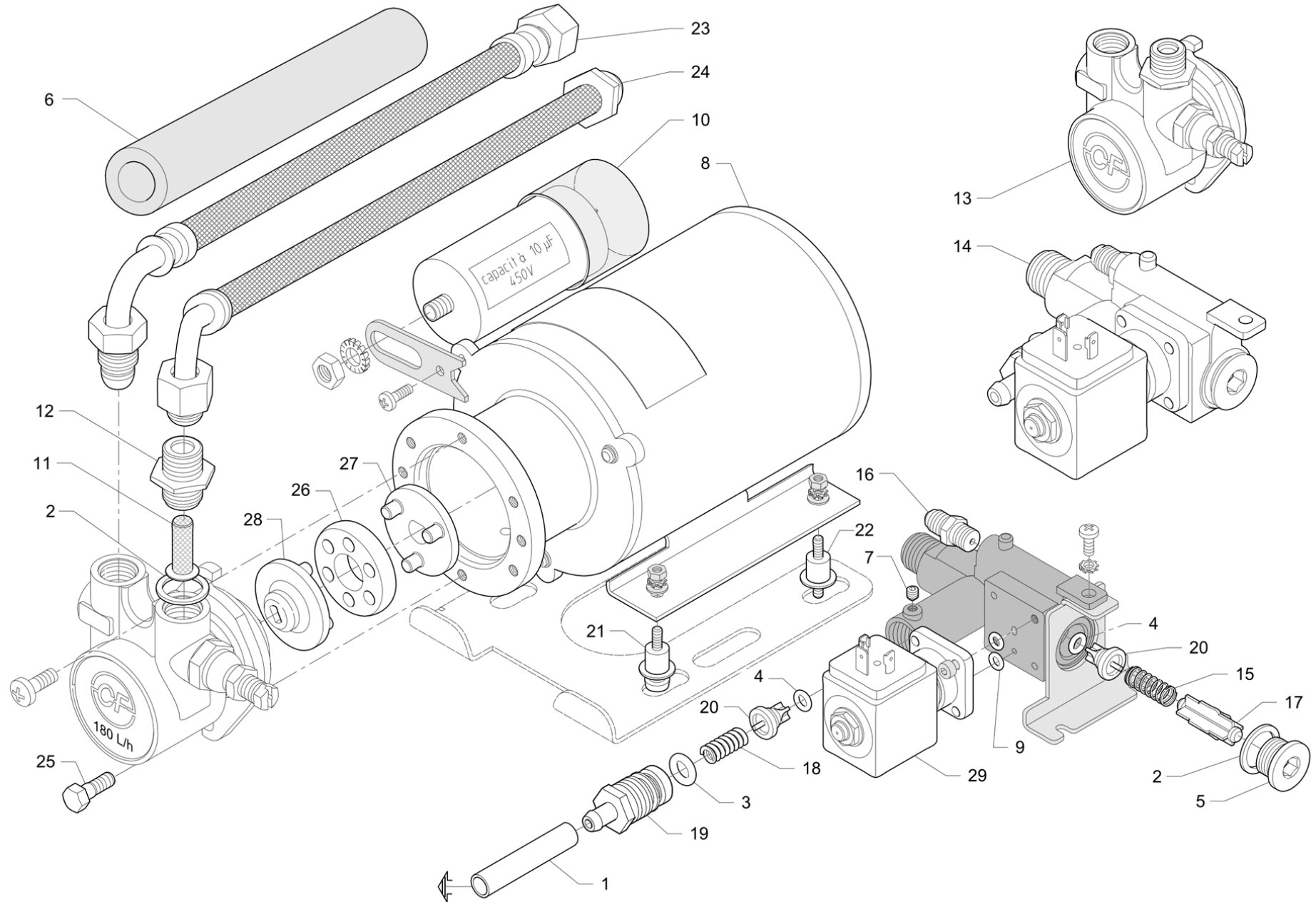
Pos	Part Number	Description	Validity	Notes
1	220000013	SILICONE PIPE D 3X6		
2	220000016	SILICONE PIPE D 6X10		
3	220000022	RISLAN PIPE 4X6		
4	402186010	OR 34.52X3.53 PLATIN. GASKET		
5	402218000	GASKET 14X1.78 NF		
6	402223000	O-RING 7,65X1,78 TS PROBE		
7	402250000	GASKET 3,68 X 1,78 INTERMEDIATE TS		
8	431570010	SHIELDED CABLE		
9	485289000	ROLLER		
10	485291000	CLAMP		
11	485296030	UPGRADE JOINT		
12	495331000	LOWER SEAL FLANGE		
13	495334010	TUBE UPPER SEAL FLANGE 10		
14	532149500	TERMINAL		
15	532302720	Y-UNION		
16	532652700	FAST UNION "T" FOR PIPE D.6		
17	532660200F	ELBOW JOINT 1/4 M D.6 F ADJUST.		
18	534600300	SILENCER		
20	934316000	§6 FAST UNION FOR PIPE 3X6		
21	947076000	MAGNET FOR TURBOSTEAM COMMAND		
22	949732000	COMPRESSOR W/NOZZLE AND FILTER		
23	956136010	COMPRESSOR NOZZLE DIAM. 0.35		
24	985327000	EXTERNAL STEAM WAND PROTECTION		
24	495333000	EXTERNAL PROTECTION	H:TC	
25	985514000	THERMOCOUPLE TSCT E71		
25	985511000	LONG THERMOCOUPLE ASSY TSCT	H:TC	
26	985515000	TUBES TSCT E71		
26	985508020F	TS TUBE ASSEMBLY	H:TC	
	⇌ 985508000	LONG TUBE ASSY TSCT	H:TC	
27	985517000	CO-AXIAL TUBE		
27	985507020F	TSCT COAXIAL TUBE ASSEMBLY	H:TC	
	⇌ 985507000	COAXIAL TUBE ASS.	H:TC	
28	985757000	BULB TERMINAL ASSY TSCT SP.PARTS		
29	533903200F	SOLENOID VALVE 3/2 3mm 1/4 M/F		
29	533903600F	SOLENOID VALVE 3/2	N:UL	
30	983542000	LEVER COMPLETE WITH MAGNET		
31	965022000	BALL PRESSURE		
32	983537000	STEAM LEVER ASSEMBLY E71		
33	983571010	SENSORS ASSEMBLY TS E71		
34	535918000	AXIAL INDUCTANCE 7uF ? 6A		



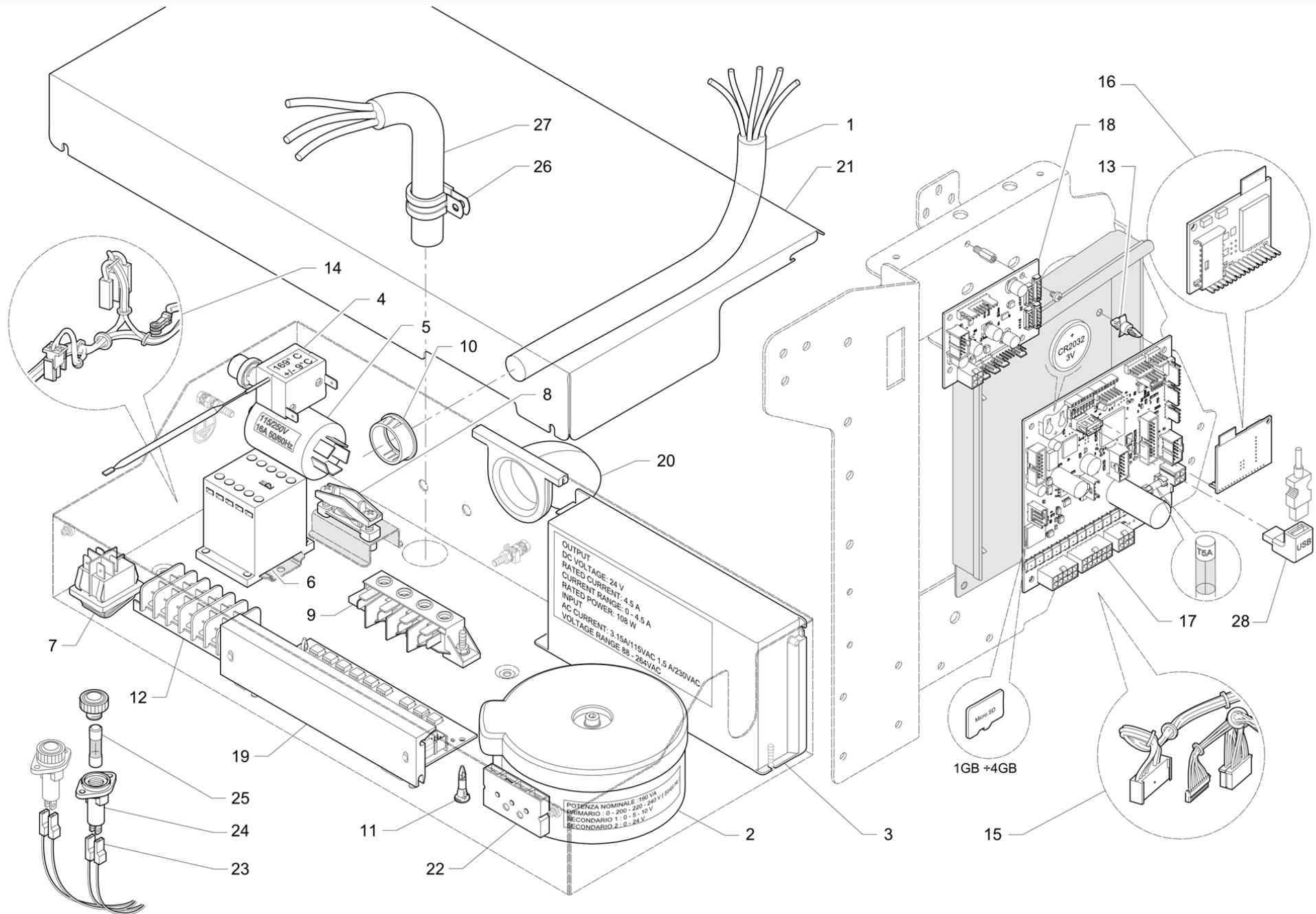
Pos	Part Number	Description	Validity	Notes
1	220000016	SILICONE PIPE D 6X10		
2	220000017	SILICONE PIPE D 10X15		
3	402302000	GASKET 17X13,2X1X5		
4	402323000	NBR GASKET Ø 24 x Ø 15 x 2		
5	532600700	HOSE ADAPTOR		
6	934168010	HOSE ADAPTOR FOR QUICK CONNECTION		
7	532755800	PLAST. SCREW M4x10		
8	534393100	FLOWMETER WITH ADAPTOR		
9	613500396	CLIP 14-24		
10	952011000	NIPPLE 1/4 X 1/8"		
11	532660820F	ELBOW CONNECTOR 1/4		
12	958133020	NIPPLE 1/4 X 1/8		
13	958347000	RING NUT FOR DRAINAGE		
14	958349000	ELBOW FOR DRAINAGE		
15	983051010	DRAINAGE COLLECTION BASIN		
16	983052010	DRAINAGE COLLECTION BASIN CAP		
17	4951132933	REINF.DRAIN PIPE (D.24X18)		
18	533903000F	SOLENOID VALVE 1/4 M/F FKM		
18	533903400F	SOLENOID VALVE 2/2	N:UL	
19	533904200F	EV 2/2	N:UL	
	⇌ 533903300F	SOLENOID VALVE 2/2 PRESSURE CONTROL	N:UL	
19	533904200F	EV 2/2		
20	532756200	EXAGONAL NUT M16		
21	983238000	CHARGE BASIN SEAL		
22	983849000	DISCHARGE CONTAINER		
23	532390600	DRAIN PIPE	H:TC	
24	983229000	DRAINAGE COLLECTION BASIN	H:TC	
25	983230010	DISCHARGE BASIN	H:TC	
26	402218000	GASKET 14X1.78 NF	H:TC	
27	532656100	G1/4 M RUBB.CONN.		
28	481361000	FILTER WITH HOLDER 9X1.5 INOX		



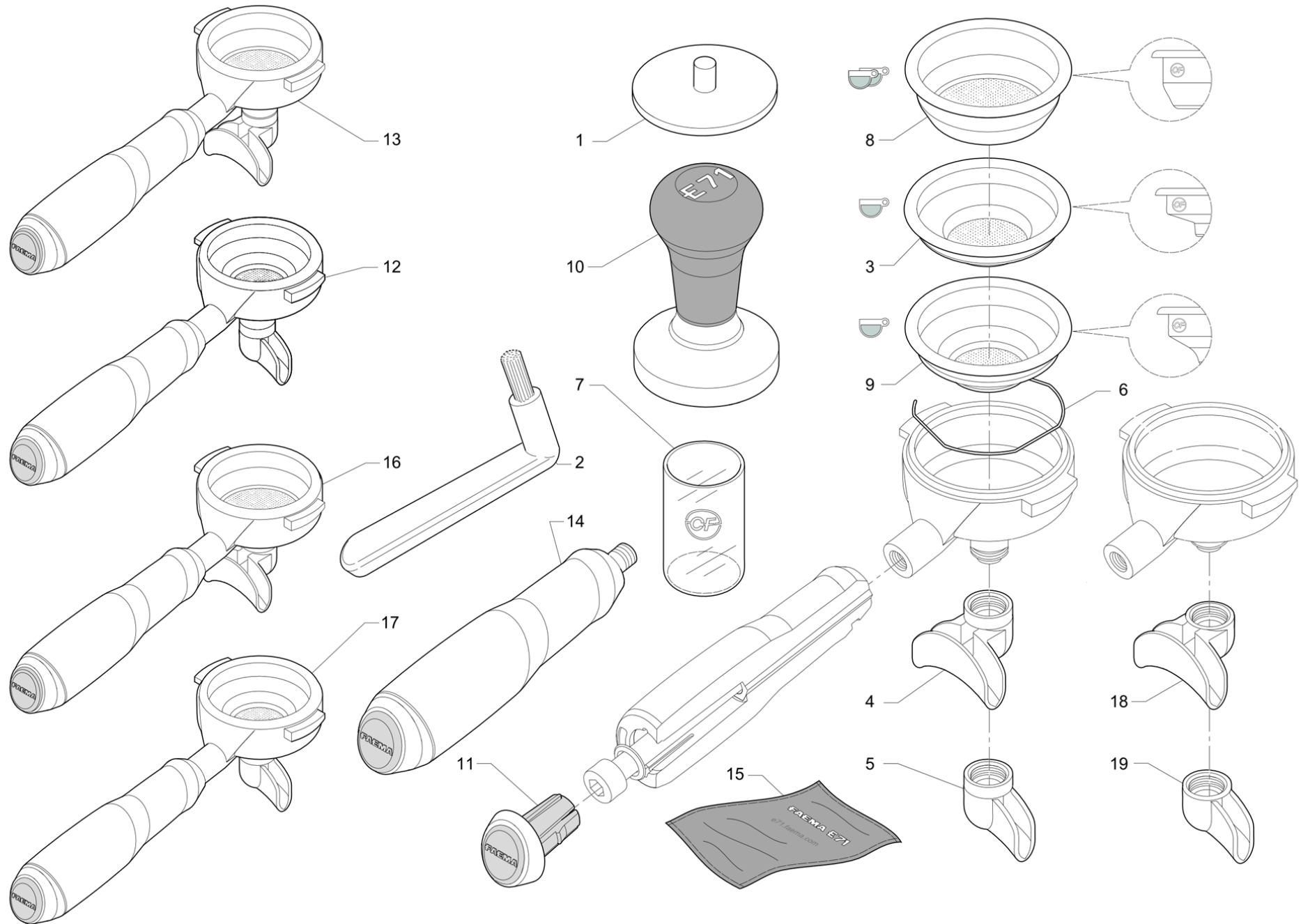
Pos	Part Number	Description	Validity	Notes
1	220000016	SILICONE PIPE D 6X10		
2	401224000	BOILER GASKET		
2	402325000F	OR 101.19x3.53 NSF	N:NSF	
3	402195000	O-RING 9,25X1,78 NF		
4	402199010	GROUP GASKET		
5	457341008	DISC FOR GROUP		
6	457342000	WATER DISTRIBUTER GROUP IN BRASS		
7	457416010F	TAP AERATOR E71		
7	457419000F	REINFORCED TAP AERATOR E71		
8	530501200	OR 2025		
9	531194810	COFFEE BOILER PROBE		
10	531195100	TERMOSTAT 145°C		
10	531197300	CERAMIC THERMOSTAT 145°C	N:KTL	
11	532742200	DOUBLE CABLE TIE-RAPS		
12	590128010	COUNTER NUT 1/4		
13	937055010	1/8 RUBBER HOLDER CONNECTOR		
	⇌ 937055000	1/8 RUBBER HOLDER CONNECTOR		
14	955003010	PIPE		
15	537056500	RESISTOR 1300W 220		
	⇌ 962500000	1300 W 220V RESISTANCE		
15	962500008	1300 W 220V RESISTANCE W/RUVECO	N:NSF	
16	983232000	BOILER INSULATOR		
17	979004008F	LOWER SEMI-BODY WITH DISPENSER DISC RUVE		
	⇌ 979001028	LOWER SEMI-BODY WITH RUVECO		
17	979005008F	LOWER SEMI-BODY WITH DISPENSER DISC NSF	N:NSF	
	⇌ 983264008F	LOWER SEMI-BODY NSF	N:NSF	
18	983218000	BOILER FASTON COVER E71		
19	537056700	UPPER BOILER SEMI-BODY 600CC WITH RUVECO		
	⇌ 962003028F	UPPER BOILER SEMI-BODY 600CC WITH RUVECO		
19	537056800	600CC BOILER UPPER SEMI-BODY NSF	N:NSF	
	⇌ 983274008F	600CC BOILER UPPER SEMI-BODY NSF	N:NSF	
20	983848020	BOILER E71		
	⇌ 983848010	E70 600cc BOILER ASSEMBLY SP.PART		
20	983890000	E71 600cc BOILER ASSEMBLY NSF SP.PART	N:NSF	
20	983939010	BOILER E71 JPN	M:JP	
	⇌ 983939000	BOILER ASSEMBLY E71 600cc JPN	M:JP	
21	4001051934	SCREW M 4 X 10		
22	533902900F	SOL.VALVE 3-WAY SMALL BASE 14.5 bar 24V		
22	533892300R	SOLENOID VALVE	N:UL	
23	532660720F	ADJUSTABLE 1/8 ELBOW CONNECTOR		
	⇌ 532660700F	ADJUSTABLE 1/8 ELBOW CONNECTOR		
24	920041000	NOZZLE § 0,6MM NF		



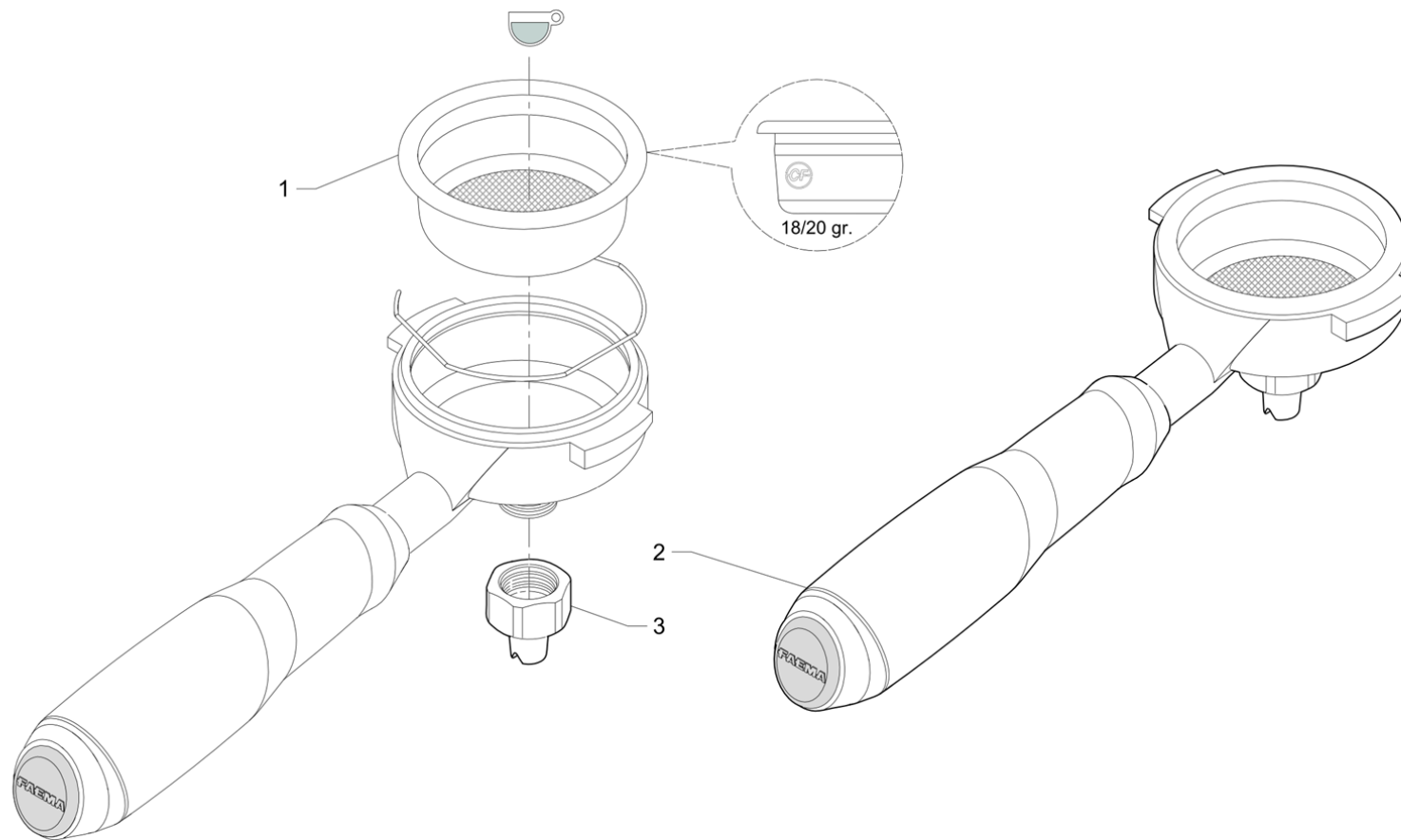
Pos	Part Number	Description	Validity	Notes
1	220000016	SILICONE PIPE D 6X10		
2	401183010	GASKET 22X17X1,5 INLET VALVE		
3	401190000	O-RING 12,37X2,62 EPDM INLET		
4	402314000	OR 7.59x2.62 EPDM 75.5 INLET		
5	457347010	3/8 GAS EXAGONAL INOX CAP		
6	462327000	INSULATING MEMBRANE		
7	512904050	S.S. M4X5 SCREW		
8	530298120	PUMP 220/50 HORIZ. MOTOR		
8	530299600	PUMP 220/50 HORIZ. MOTOR UL	N:UL	
9	530501200	OR 2025		
10	531494700	CONDENSER 10 uF		
10	531492900	CAPACITOR 10mF	N:UL	
11	533100400	INSIDE FILTER		
12	533100600	JOINT 3/8X3/8		
13	533180010	180 L/h VOLUMETRIC PUMP INOX W/FILTER		
14	952706030	VALVE GROUP 24V 50 60Hz		
14	983867000	24V VALVES GROUP NSF	N:NSF	
15	958071000	SPRING FOR VALVE		
16	958072020	NIPPLE 1/8 X 1/8 NOZZLE 0.8		
	≅ 958072010	NIPPLE 1/8X1/8		
17	958073000	SPACER		
18	958075010	SPRING FOR VALVE		
19	958076000	ADJUST. SCREW		
20	958231000	MINI-VALVE		
21	3251133417	RUBBER ANTIVIBRATION		
22	3251133418	RUBBER ANTIVIBRATION		
23	3951117886	COMPREHENSIVE PIPE		
23	532304400	VALVE BLOCK-PUMP TUBE NF	N:NSF	
24	3951130515	PIPE 3/8X 3/8 120øMM 2200		
24	532304300	PIPE 3/8 NF	N:NSF	
25	4004136622	SCREW M6		
26	4081021923	RING		
27	4821023082	MOTOR JOINT		
28	4821108987	PUMP JOINT		
29	533893300R	SOLENOID VALVE 2G 24V/50-60HZ		
29	533895700R	SOLENOID VALVE 2G 24V/60HZ NF	N:UL	



Pos	Part Number	Description	Validity	Notes
1	421214000	WIRE		
1	946296000	SUPPLY CABLE 5x1.5mm2	N:KTL	
1	910414010	MAIN CABLE 4X3,5	M:JP	
2	530901910	TRASFORMER		
3	949525000	SWITCHING POWER S.		
	⇒ 530990800	TRANSFORMER 24V DC		
4	531194720	SFTY. THERMOSTAT		
5	531404200	PHASE FILTER 115/250V 50/60 Hz		
6	531503520	CONTACTOR 4P 220/240V		
6	531508600	MINI-COUNTER 20A 200V 50/60Hz	M:JP	
7	532024500	SWITCH		
7	532091300	GREEN BIPOLAR SWITCH	N:KTL	
8	532123300	CORD FIXING LOCK		
9	532161500	TERMINAL BOARD		
10	532170500	MEMBRANE CABLE LAY		
11	532174600	SPACER		
12	532175700	TERMINAL BOARD		
13	532729700	BOARD SUPPORT		
14	535942020	E71 CABLING		
15	535967010	2GR E71 CABLING		
15	535941020	3 GR E71 CABLING		
16	538015010	BLUETOOTH MODULE		
	⇒ 538015000	BLUETOOTH		
17	537059400	NEWTON CPU BOARD		
	⇒ 947758020	CPU BOARD NEWTON		
18	947987010	LIGHT AND TURBOSTEAM SUPPORT CARD		
	⇒ 947987000	LIGHT AND TURBOSTEAM CARD		
19	947988000	M100 POWER CARD		
20	947132000	CABLE GLAND		
21	983115021	ELECTRIC BOX COVER UL		
	⇒ 983115011	ELECTRIC BOX COVER UL		
22	532125000ZZ	6.3X0.8 CABLE FAST. CLAMP		
23	535982000	FUSES ADAPTOR	N:UL	
24	530111000	FUSE HOLDER	N:UL	
25	530112200	FUSE CC15 A	N:UL	
26	532170400	FIXCABLE	N:UL	
27	530114300	WIRING	N:UL	
28	530152400	USB ELBOW ADAPTER		



Pos	Part Number	Description	Validity	Notes
1	457058000	DISK CLEANING GROUP		
2	457062000	BRUSH		
3	457362000	1-CUP FILTER LOW		
4	457568000F	2-WAY SPOUT ASS. (E)		
	⇔ 457568007	2-WAY SPOUT ASS. (E)		
5	457569000F	1-WAY SPOUT ASS. (E)		
	⇔ 457569007	1-WAY SPOUT ASS. (E)		
6	457874000	SPRING FOR LOCKING THE COFFEE FILTER		
7	965074010	MEASURE		
	⇔ 965074000	COFFEE MEASURE		
8	983182000	BARISTA FILTER FOR 2 COFFEES		
8	457369000	2-CUP FILTER		
9	983183000	BARISTA FILTER FOR 1 COFFEE H=22.5		
10	983207000	TAMPER E71		
11	983536000	ASSIEME TAPPO MANOPOLA PORTAFILTRO E71		
12	983748010	E71 1-WAY FILTER-HOLDER ASS.		
	⇔ 983748000	E71 1-WAY FILTER-HOLDER ASS.		
12	983874010F	E71 1-WAY NSF FILTER-HOLDER ASSY	N:NSF	
	⇔ 983874000F	E71 1-WAY FILTER-HOLDER ASS.	N:NSF	
13	983749010	E71 2-WAY FILTER-HOLDER ASS.		
	⇔ 983749000	E71 2-WAY FILTER-HOLDER ASS.		
13	983875010F	E71 2-WAY NSF 372 FILTER-HOLDER ASSY	N:NSF	
	⇔ 983875000F	E71 2-WAY FILTER-HOLDER ASS. NSF	N:NSF	
14	983841000	FILTER-HOLDER GRIP E71		
15	983209000	CLOTH E71		
16	983887010F	HV E71 2-WAY FILTER-HOLDER ASS.	H:TC	
	⇔ 983887000F	HV E71 2-WAY FILTER-HOLDER ASS.	H:TC	
16	983954010F	FILTER HOUSING ASS.E71 2-WAY HV NSF	H:TC,N:NSF	
	⇔ 983954000F	FILTER HOUSING ASS.E71 2-WAY HV NSF	H:TC,N:NSF	
17	983886000F	HV E71 1-WAY FILTER-HOLDER ASS.	H:TC	
17	983955010F	FILTER HOUSING ASS. E71 1-WAY HV NSF	H:TC,N:NSF	
	⇔ 983955000F	FILTER HOUSING ASS. E71 1-WAY HV NSF	H:TC,N:NSF	
18	457380027	2-WAY SPOUT BODY (F)	H:TC	
19	457379017	1-WAY SPOUT	H:TC	



Pos	Part Number	Description	Validity	Notes
1	983292000F	2-COFFEE COMPETITION FILTER 18/20gr		
2	983917000F	E71 1-WAY SPECIAL FILTER-HOLDER ASS.		
3	457417017F	1-WAY SPOUT WITH NOTCH		
	⇌ 457417007F	1-WAY SPOUT WITH NOTCH		

