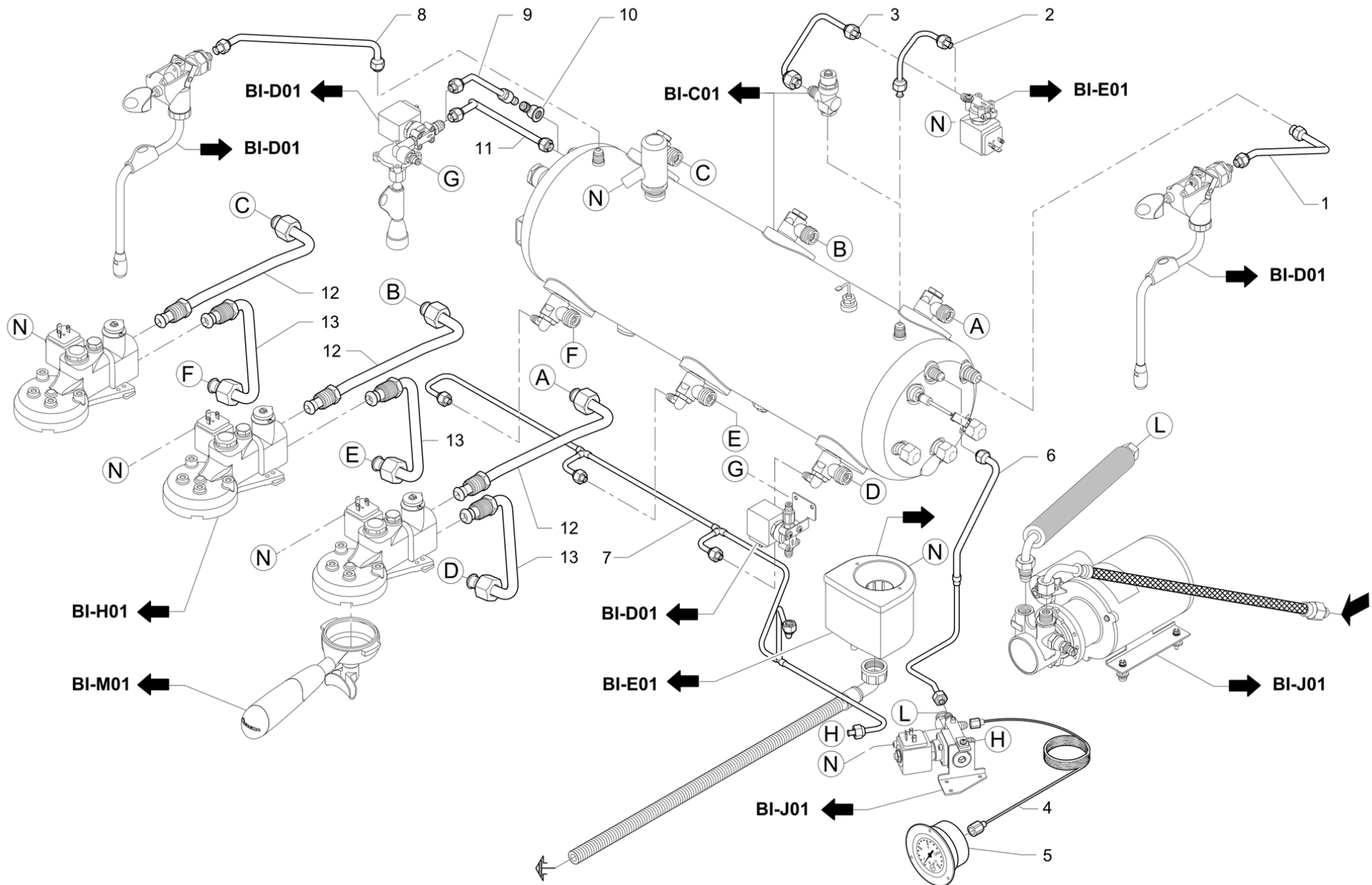
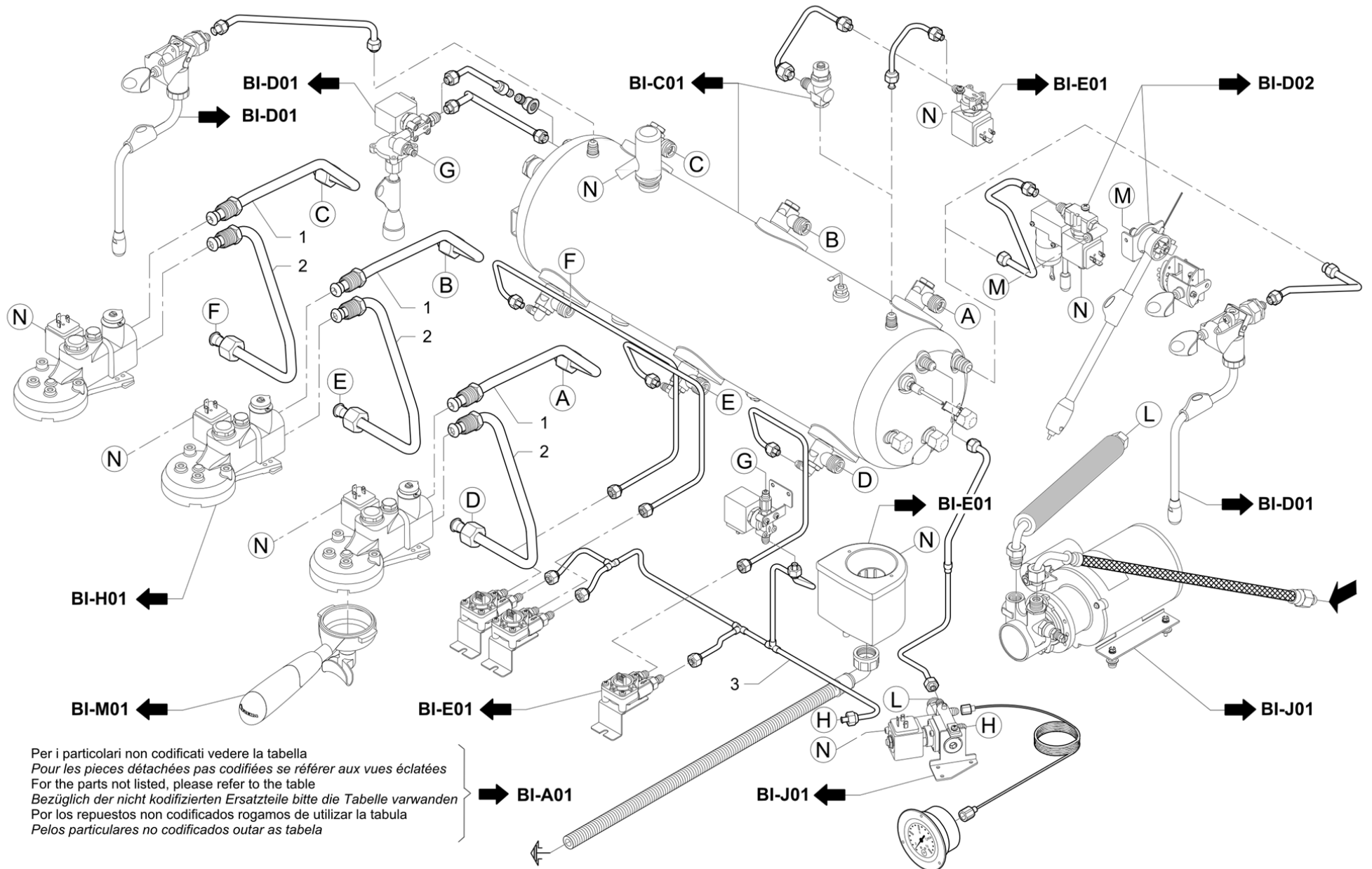


Pos	Part Number	Description	Validity	Notes
1	974511000	EMBLEMA R RIGHT STEAM TUBE ASSEMBLY		
1	974511008	RIGHT STEAM TUBE ASS. EMBLEMA R UL/NSF	N:NSF	
1	974518000	EMBLEMA R 2-GR RIGHT STEAM TUBE ASSEMBLY		
1	974518008	RIGHT STEAM TUBE ASS. EMBLEMA R 2GR UL/N	N:NSF	
1	974526000	RIGHT STEAM TUBE ASS. EMBLEMA R 4GR		
1	974526008	RIGHT STEAM TUBE ASS. EMBLEMA R 4GR UL/N	N:NSF	
2	974508000	AUTOSTEAM SV TUBE ASSEMBLY -		
2	974508008	AUTOSTEAM SOLENOID VALVE TUBE ASS. UL/NS	N:NSF	
2	974517000	EMBLEMA R 2-GR AUTOSTEAM SV TUBE ASSEMBL		
2	974517008	AUTOSTEAM SOLENOID VALVE TUBE ASS. EMBLE	N:NSF	
2	974525000	AUTOSTEAM SOLENOID VALVE TUBE ASSEMBLY 4		
2	974525008	AUTOSTEAM SOLENOID VALVE TUBE ASS. 4GR U	N:NSF	
3	974509010	EMBLEMA R BOILER FILLING TUBE		
3	974515010	EMBLEMA R BOILER FILLING TUBE		
3	974523000	BOILER FILLING TUBE EMBLEMA R 4GR		
4	902789000	VALVE BLOCK-PUMP GAUGE TUBE		
5	531194500	PUMP MANOMETER		
6	974507010	ANTI-WHIRLPOOL SOLENOID VALVE TUBE ASSEM		
6	974507018	ANTI-WHIRLPOOL SOLENOID VALVE TUBE ASS.	N:NSF	
6	974516010	ANTI-WHIRLPOOL SOLENOID VALVE TUBE ASSEM		
6	974516018	ANTI-WHIRLPOOL SOLENOID VALVE TUBE ASS.	N:NSF	
6	974524000	ANTI-WHIRLPOOL SOLENOID VALVE TUBE ASSEM		
6	974524008	ANTI-WHIRLPOOL SOLENOID VALVE TUBE ASS.	N:NSF	
7	974505020	GROUP 2 BOILER FAN TUBE ASSEMBLY		
7	974512020	GROUP 2 BOILER FAN TUBE ASSEMBLY 2GR		
7	974521000	GROUP 2 BOILER FAN TUBE ASSEMBLY EMB		
8	974504020	GROUP 1 BOILER FAN TUBE ASSEMBLY		
8	974514020	GROUP 1 BOILER FAN TUBE ASSEMBLY		
8	974522000	GROUP 4 BOILER FAN TUBE ASSEMBLY EMB		
9	974513000	EMBLEMA R 2-GR WATER TUBE ASSEMBLY -		
9	974513008	WATER TUBE ASS. EMBLEMA R 2GR UL/NSF	N:NSF	
10	532508400R	ELBOW UNION 1/4X1/4F		
11	974519000	EMBLEMA R WATER TUBE ASSEMBLY		
11	974519008	WATER TUBE ASS. EMBLEMA R UL/NSF	N:NSF	
12	974506020	GROUP 3 BOILER FAN TUBE ASSEMBLY		
12	974520000	GROUP 1 BOILER FAN TUBE ASSEMBLY		
13	974831000	FAN RAMP-WATER 3GR EMBLEMA		
13	974835000	FAN RAMP-WATER 2GR EMBLEMA R		

Pos	Part Number	Description	Validity	Notes
13	974836000	FAN RAMP-WATER 4GR EMBLEMA R		
14	927598020	2 GR LEFT MANUAL STEAM TUBE ASS.		
14	927598028	2 GR LH MAN STEAM TUBE ASS. RUVECO	N:NSF	
14	927606000	BOILER-LEFT STEAM WAND TUBE GR4		
15	927587010	DELIVERY PIPE		
	⇒ 927587003F	GROUP DELIVERY TUBE		
15	927587008	GROUP LINE TV NF	N:NSF	
16	927588000F	RETURN PIPE		
	⇒ 927588003F	GROUP RETURN TUBE		
16	927588008	RETURN GROUP LINE TV NF	N:NSF	
17	974532000	ANTI-WHIRLPOOL VALV./SOL.VALVE TUBE ASS.		
17	974532008	NSF ANTI-WHIR. VALV./SOL.VAL. TUBE ASS.	N:NSF	

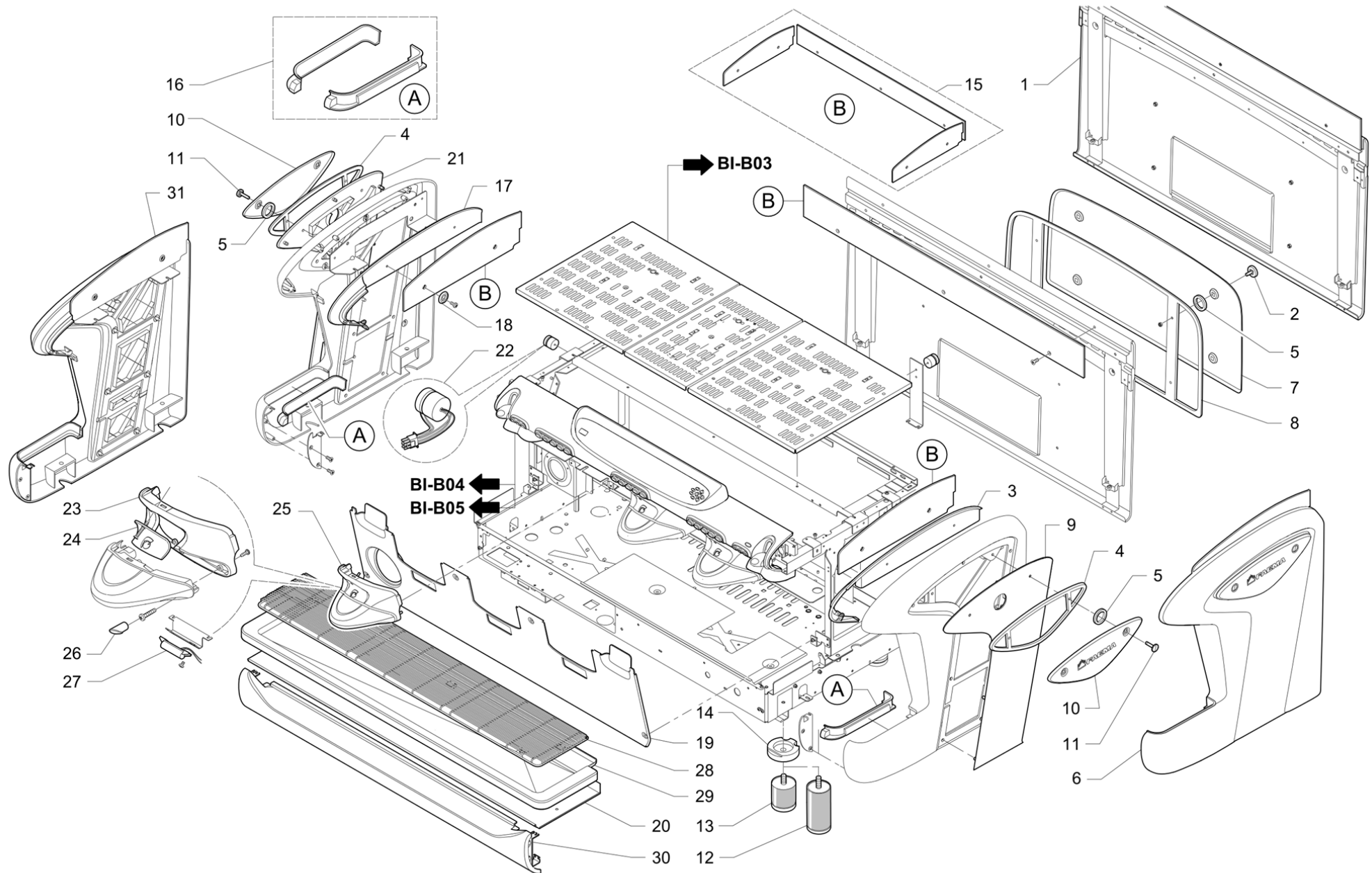


Pos	Part Number	Description	Validity	Notes
1	974511000	EMBLEMA R RIGHT STEAM TUBE ASSEMBLY		
1	974518000	EMBLEMA R 2-GR RIGHT STEAM TUBE ASSEMBLY		
1	974526000	RIGHT STEAM TUBE ASS. EMBLEMA R 4GR		
2	974507010	ANTI-WHIRLPOOL SOLENOID VALVE TUBE ASSEM		
2	974516010	ANTI-WHIRLPOOL SOLENOID VALVE TUBE ASSEM		
2	974524000	ANTI-WHIRLPOOL SOLENOID VALVE TUBE ASSEM		
3	974532000	ANTI-WHIRLPOOL VALV./SOL.VALVE TUBE ASS.		
4	902789000	VALVE BLOCK-PUMP GAUGE TUBE		
5	531194500	PUMP MANOMETER		
6	974509010	EMBLEMA R BOILER FILLING TUBE		
6	974515010	EMBLEMA R BOILER FILLING TUBE		
6	974523000	BOILER FILLING TUBE EMBLEMA R 4GR		
7	974527000	BOILER FILLING TUBE ASS. EMBLEMA R 2GR		
7	974528000	BOILER FILLING TUBE ASS. EMBLEMA R 3GR		
7	974529000	BOILER FILLING TUBE ASS. EMBLEMA R 4GR		
8	927598020	2 GR LEFT MANUAL STEAM TUBE ASS.		
8	927606000	BOILER-LEFT STEAM WAND TUBE GR4		
9	974519000	EMBLEMA R WATER TUBE ASSEMBLY		
10	532508400R	ELBOW UNION 1/4X1/4F		
11	974513000	EMBLEMA R 2-GR WATER TUBE ASSEMBLY -		
12	927587010	DELIVERY PIPE		
	⇒ 927587003F	GROUP DELIVERY TUBE		
13	927588000F	RETURN PIPE		
	⇒ 927588003F	GROUP RETURN TUBE		



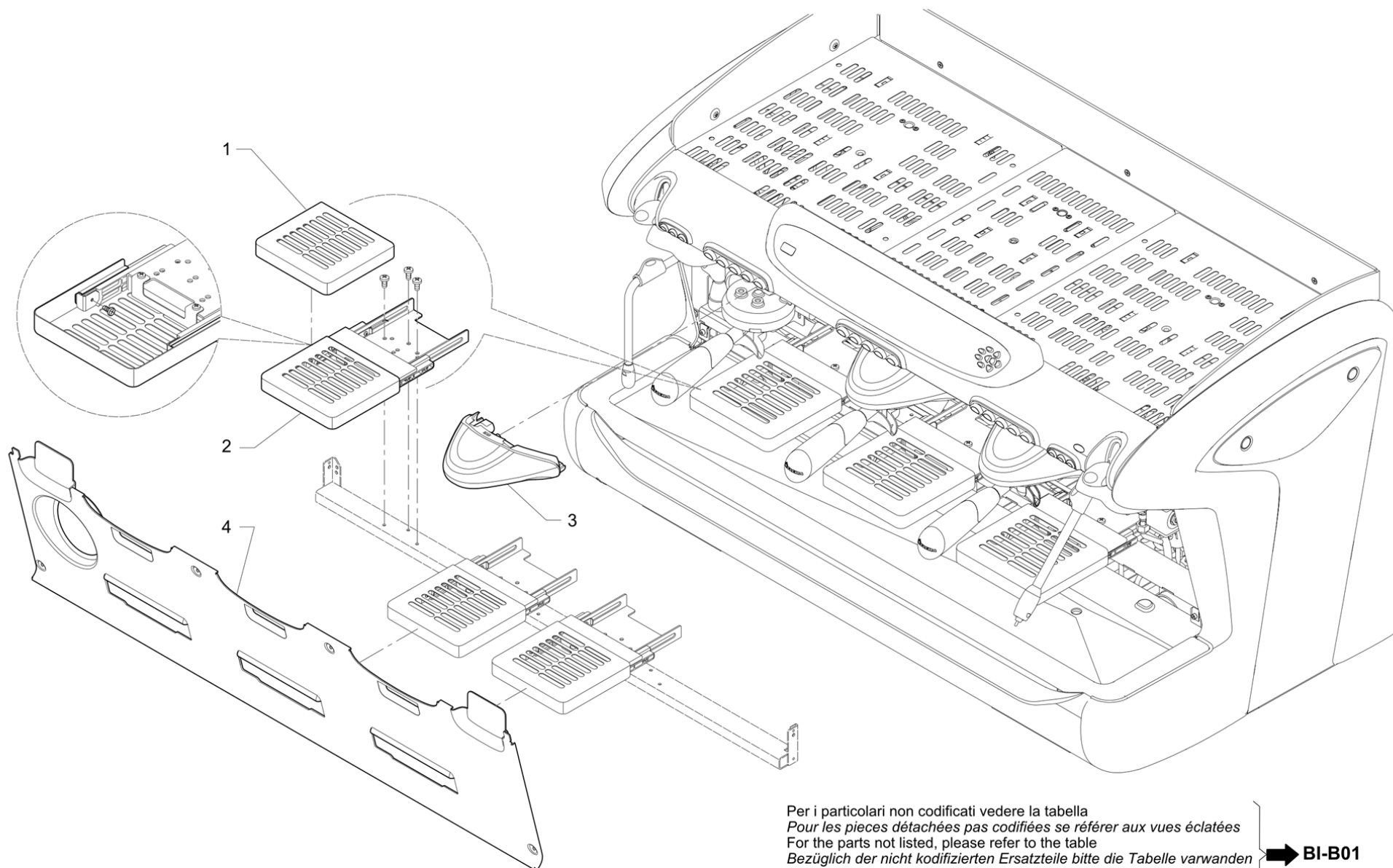
Per i particolari non codificati vedere la tabella
 Pour les pièces détachées pas codifiées se référer aux vues éclatées
 For the parts not listed, please refer to the table
 Bezüglich der nicht kodifizierten Ersatzteile bitte die Tabelle verwenden
 Por los repuestos no codificados rogamos de utilizar la tabula
 Pelos particulares no codificados outar as tabela

Pos	Part Number	Description	Validity	Notes
1	927624003F	DELIVERY TUBE HV		
1	927624008	GROUP LINE TV VA NF	N:NSF	
2	974531000F	RETURN PIPE VA		
	⇌ 974531003F	LOWER THERMOSYPHON SYSTEM TUBE		
2	974531008	LOWER RADIATOR TUBE EMBLEMA R	N:NSF	
3	974832000	FAN RAMP-WATER 3GR HV		
3	974834000	FAN RAMP-WATER 2GR HV		



Pos	Part Number	Description	Validity	Notes
1	974714000	2-GR R REAR COVER ASSEMBLY		
1	974715000	3-GR R REAR COVER ASSEMBLY		
1	974716000	REAR COVER ASS. 4GR R		
2	927077010	BACK PANEL PIN		
3	927064007	RIGHT INTERNAL PANEL EMBLEMA		
3	974005004	RIGHT SIDE - ANTHRACITE		
3	974007004	RIGHT SIDE - WHITE		
4	974011000	SIDE LIGHT		
5	927042010	SPACER		
6	949990000	RIGHT PACKAGING SIDE PANEL ASSEMBLY - AN		
6	949988000	RIGHT PACKAGING SIDE PANEL ASSEMBLY - WH		
6	949986000	EMBLEMA RIGHT SIDE ASSEMBLY - ALUMINIUM		
7	927076000	REAR PANEL EMBLEMA		
8	974012000	REAR LIGHT		
9	927222010	RIGHT PANEL CLOSURE EMBLEMA		
10	927061000	SIDE PANEL EMBLEMA		
11	927063010	PIN		
12	532805600	NYLON/STAINLESS STEEL ADJ. FOOT H105/137	N:NSF	
13	532805200	ADJ. FOOT NYLON/INOX H=57-68 M10x19.5		
14	974046000	FOOT SPACER WITH DRAINAGE		
15	537047100	GLASS PANEL KIT 2GRP EMBLEMA		
15	537047200	GLASS PANEL KIT 3GRP EMBLEMA		
15	537047300	GLASS PANEL KIT 4GRP EMBLEMA		
16	537049200	EMBLEMA CUP TRAY GASKETS		
17	927065007	LEFT INTERNAL PANEL EMBLEMA		
17	974006004	LEFT SIDE - ANTHRACITE		
17	974008004	LEFT SIDE - WHITE		
18	930081000	PREXIGLASS RING		
19	974024000	EMBLEMA R 2-GR SLUICE VALVE		
19	974025000	EMBLEMA R 3-GR SLUICE VALVE		
19	974026000	SLUICE-VALVE EMBLEMA R 4GR		
20	937019014	UL HORIZONTAL 3-GROUP COVER	N:UL	
20	937027014	UL HORIZONTAL 2-GROUP COVER	N:UL	
20	937028014	HORIZONTAL COVER 4GR.UL	N:UL	
21	927223010	LEFT PANEL CLOSURE EMBLEMA		
22	974041000	EMBLEMA RESTYLING LIGHT		
23	927221000	GROUP PROTECTION EMBLEMA		
24	927068007	GROUP PROTECTION CLOSURE		
25	927937010	ASSEMB.GROUP PROTECTION EMBLEMA		
26	927124000	PLUG	N:NSF	
27	537058900	GROUP LIGHTS KIT		
	⇒ 974040000	GROUP LIGHT		
28	952127000	2-GROUP BASIN GRILLE		

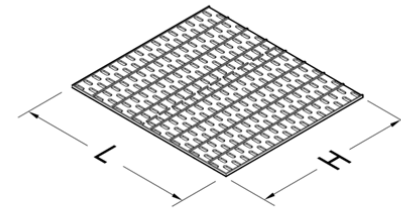
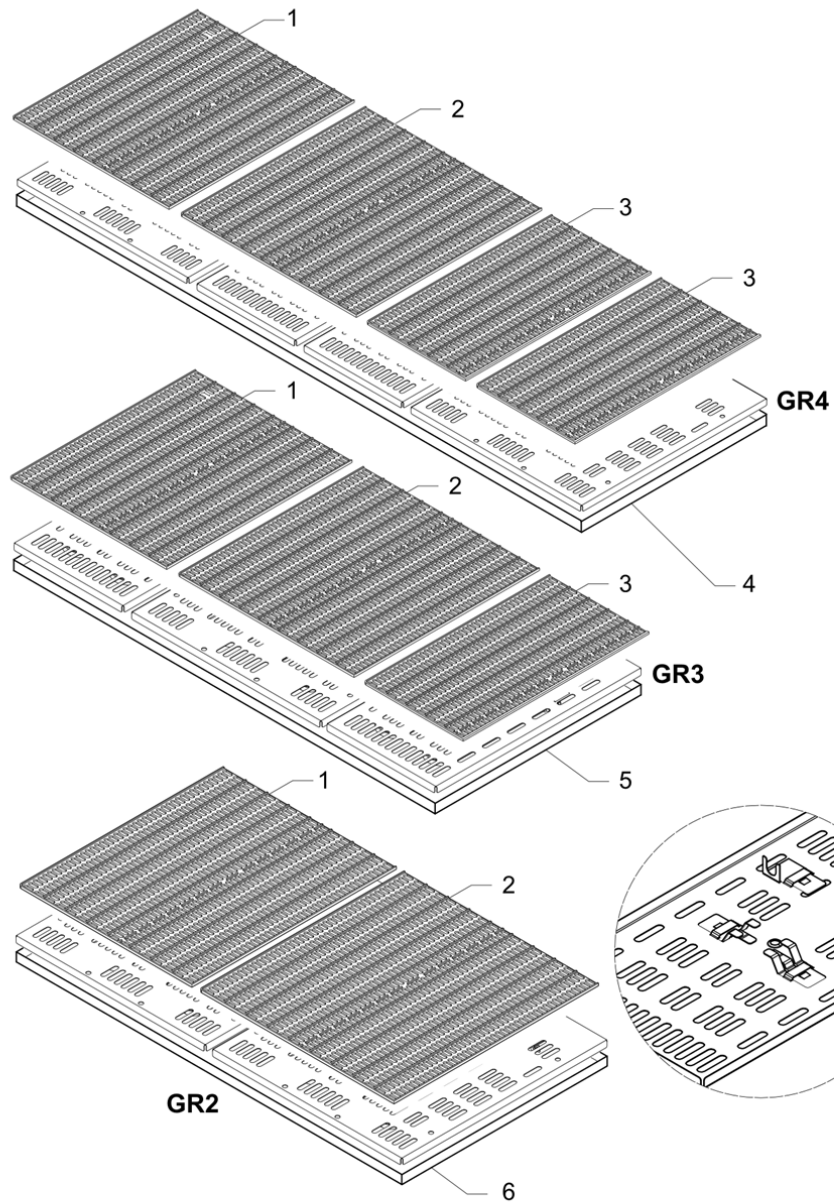
Pos	Part Number	Description	Validity	Notes
28	952131000	3-GR BASIN GRILLE		
28	952133000	4 GR BASIN GRILL		
29	952128000	2-GROUP BASIN		
29	952134000	3-GR BASIN		
29	952135000	4 GR BASIN		
30	974711000	EMBLEMA R 2-GR BASE COVER ASSEMBLY WITH		
30	974712000	EMBLEMA R 3-GR BASE COVER ASSEMBLY WITH		
30	974713000	BASE-COVER ASS. EMBLEMA R 4GR WITH BRACK		
31	949991000	LEFT PACKAGING SIDE PANEL ASSEMBLY - ANT		
31	949989000	LEFT PACKAGING SIDE PANEL ASSEMBLY - WHI		
31	949987000	EMBLEMA LEFT SIDE ASSEMBLY - ALUMINIUM		



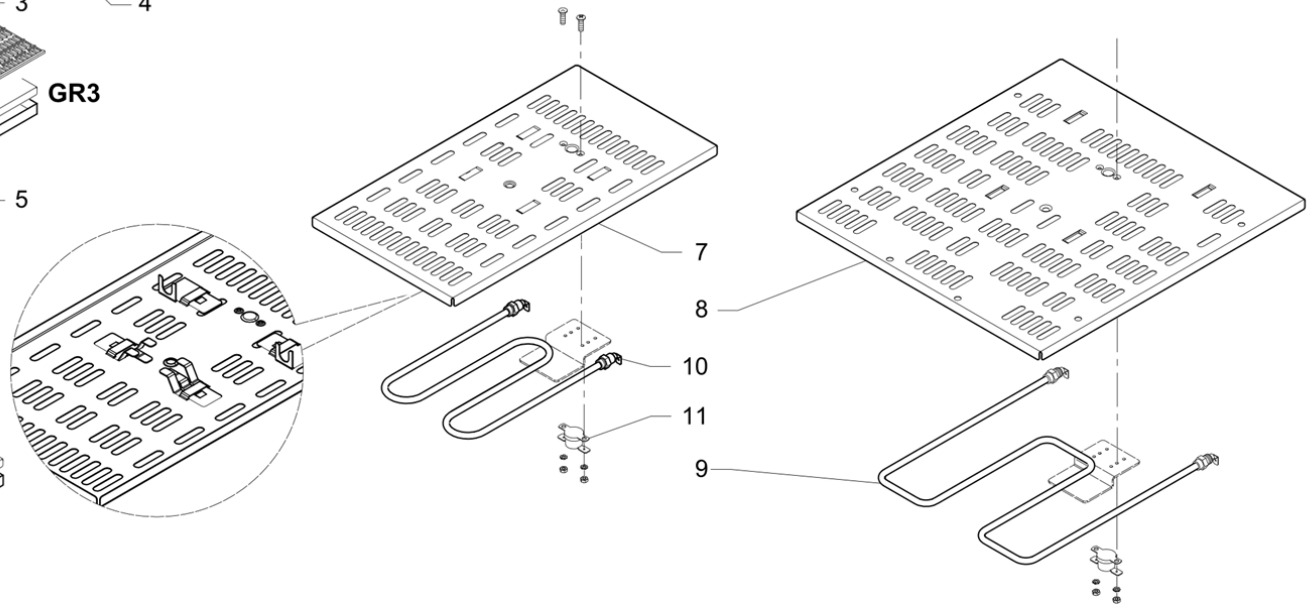
Per i particolari non codificati vedere la tabella
 Pour les pièces détachées pas codifiées se référer aux vues éclatées
 For the parts not listed, please refer to the table
 Bezüglich der nicht kodifizierten Ersatzteile bitte die Tabelle verwenden
 Por los repuestos no codificados rogamos de utilizar la tabula
 Pelos particulares no codificados outar as tabela

➔ **BI-B01**

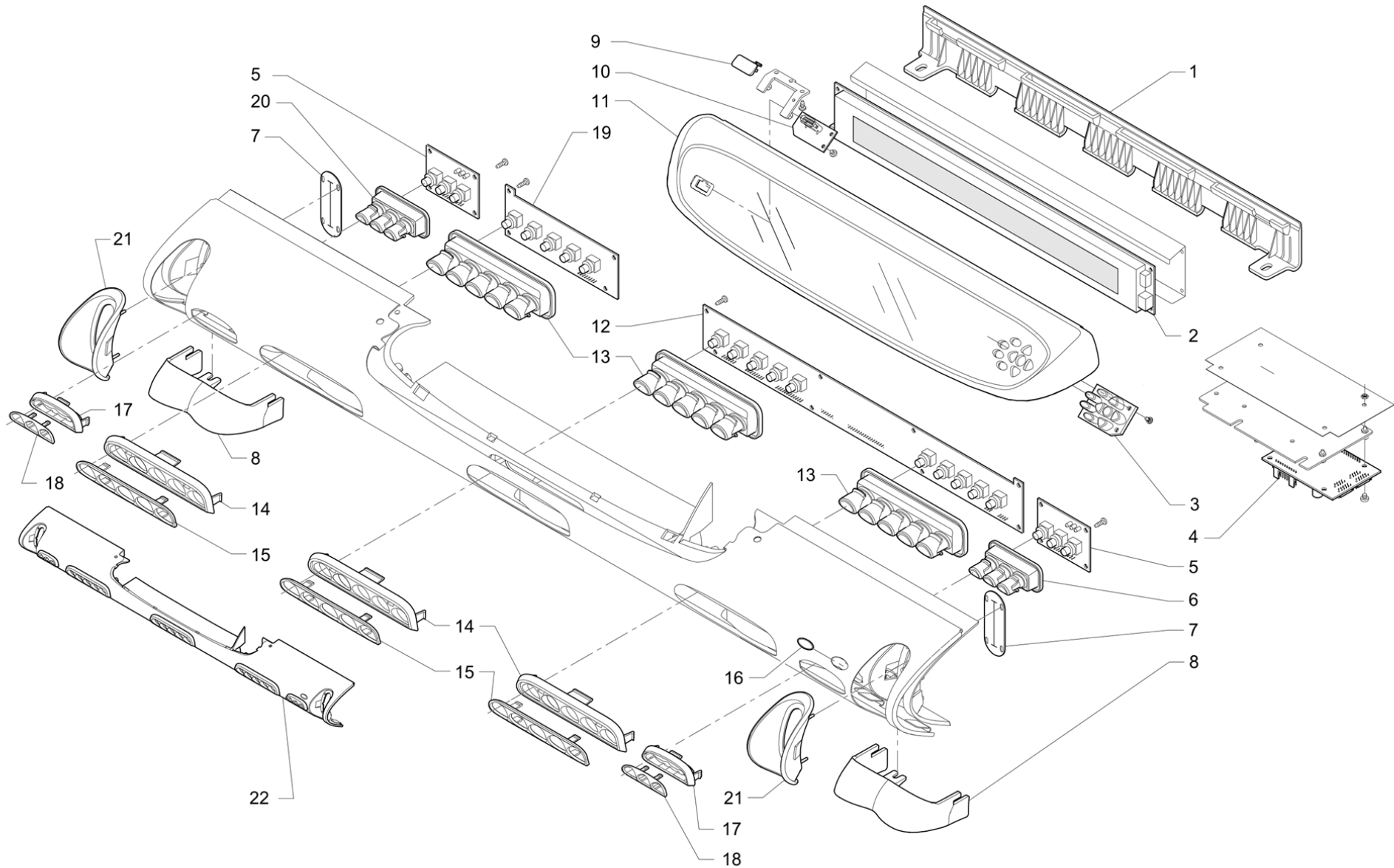
Pos	Part Number	Description	Validity	Notes
1	947537009	GRILLE ASSEMBLY WITH GUIDES		
2	947844010	COMPLETE GRILLE ASSEMBLY		
	⇌ 947844000	COMPLETE GRILLE ASSEMBLY		
3	927945000	ASSEMB.GROUP PROTECTION EMBLEMA VA		
4	974048000	SLUICE-VALVE EMBLEMA R 2GR HV		
4	974049000	SLUICE-VALVE EMBLEMA R 3GR HV		



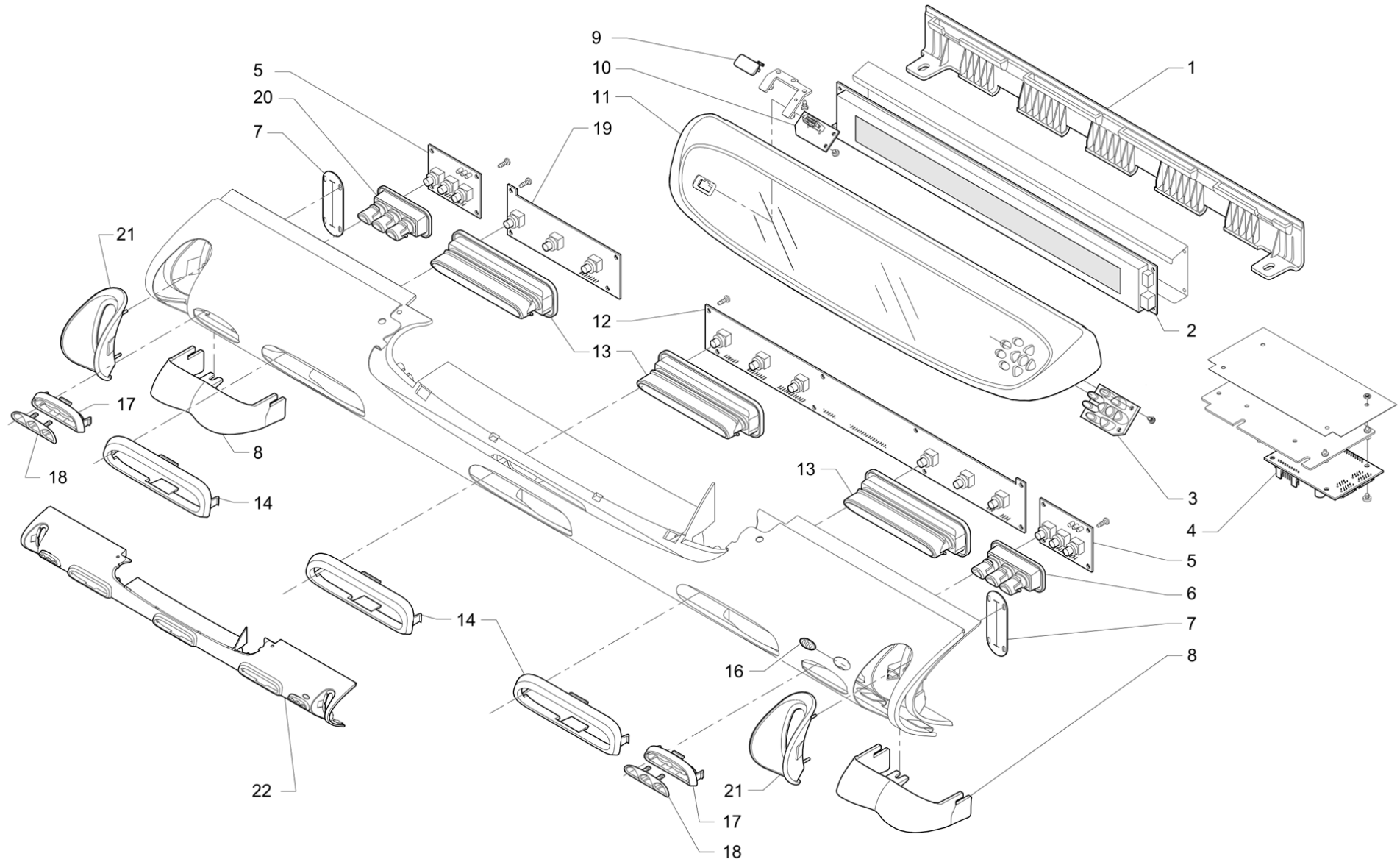
	L	H	GR2	GR3	GR4
2	349 mm	367 mm	1	1	1
1	329 mm	367 mm	1	1	1
3	199 mm	367 mm	-	1	2



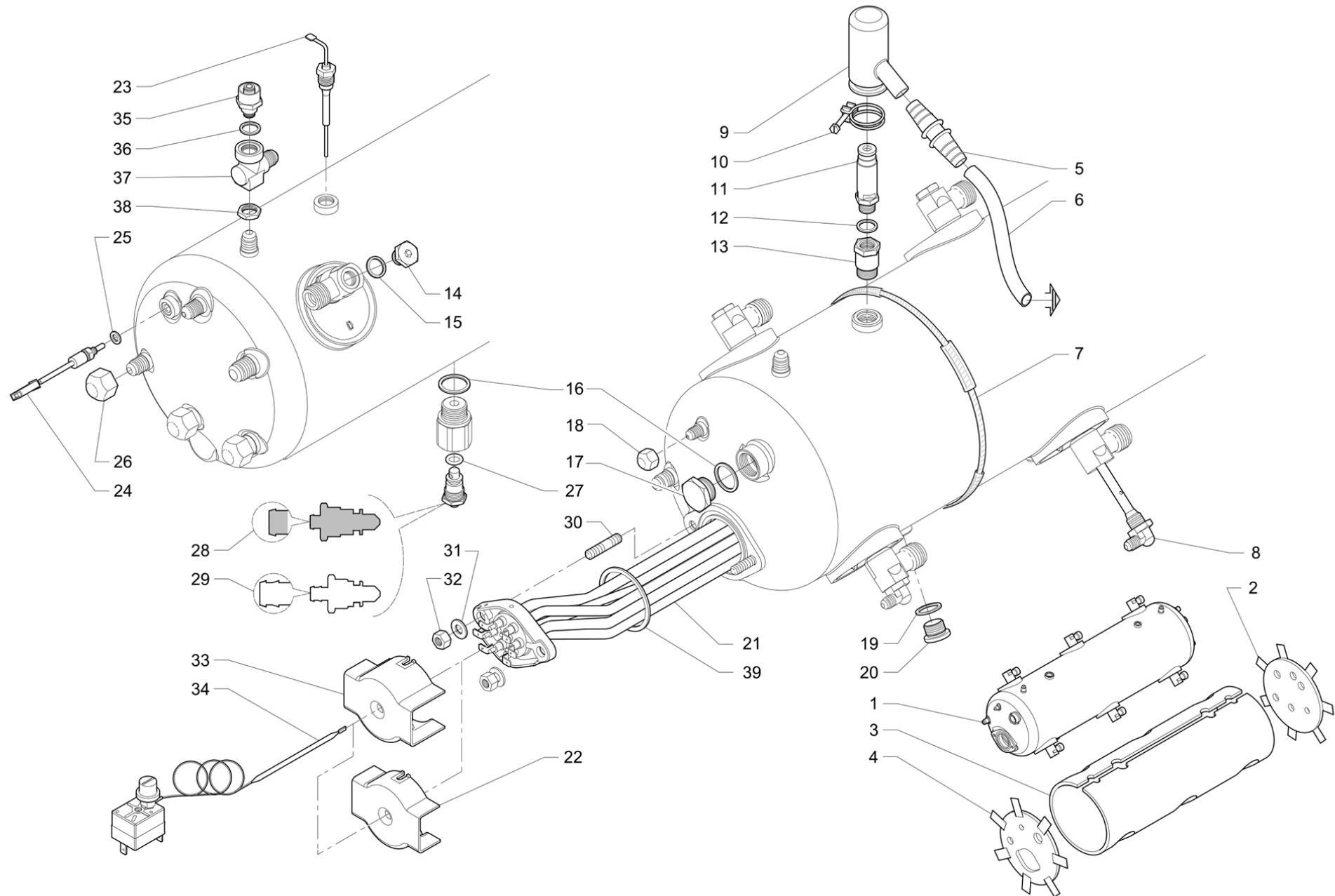
Pos	Part Number	Description	Validity	Notes
1	913257010	SUPPORT CUPS GRATE 367 X 329MM		
2	913109010	SUPPORT CUPS GRATE 367 X 349MM		
3	913194010	SUPPORT CUPS GRATE 367 X 199MM		
4	913360000	CUP WARM PANEL FOR NSF GR4	N:NSF	
5	913359000	CUP WARM PANEL FOR NSF GR3	N:NSF	
6	913358000	CUP WARM PANEL FOR NSF GR2	N:NSF	
7	913517060	CUP WARMER PLATE L=199MM		
8	913516080	CUP WARMER PLATE L=344MM		
9	913148000	CUP-WARMER HEATING ELEMENT 130/155W		
10	499094000	HEATING ELEMENT W100/120 CUP WARMER		
11	3301132921	THERMOSTAT 100 °C		



Pos	Part Number	Description	Validity	Notes
1	927099017	CLOSURE DISPLAY CAGE		
2	927136020	GRAPHIC DISPLAY		
3	927500018	PROGRAMMING BOARD		
4	538097010	EMBLEMA LIGHTS CARD		
5	538061000	EMBLEMA R BUTTON PAD CARD FOR SERVICES		
6	927576000	RIGHT PUSH-BUTTON MEMBRANE EMBLEMA A		
7	927229010	BACK PANEL		
8	927100030	SERVICES CARTER		
9	974045000	EMBLEMA USB COVER		
10	538094010	USB CARD		
11	974503010	DISPLAY COVER ASS - CHROME-PLATED GLASS		
12	538060010	EMBLEMA R BUTTON PAD CARD FOR GROUPS 1/2		
13	927575000	CENTRAL PUSH-BUTTON MEMBRANE EMBLEMA A		
14	927089027	PUSH BUTTON SEAT A		
15	927088000	TRIM FOR PUSH BUTTON SEAT A		
16	927161010	CUP-WARMER PLATE		
17	927090027	STEAM/HOT WATER PUSH BUTTON SEAT A		
18	927091000	TRIM FOR STEAM/HOT WATER PUSH BUTTON A		
19	538062020	BUTTON PAD CARD FOR ADDITIONAL GROUPS -		
20	927577000	LEFT PUSH-BUTTON MEMBRANE EMBLEMA A		
21	927097010	STEAM LEVER FRAME		
22	927841000	UPPER FRONT PANEL EMBLEMA A/2		
22	927842000	UPPER FRONT PANEL EMBLEMA A/3		
22	927843000	UPPER FRONT PANEL EMBLEMA A/4		
22	974764000	SELECTION PANEL ASS. 2GR WHITE		
22	974765000	SELECTION PANEL ASS. 3GR WHITE		
22	974766000	SELECTION PANEL ASS. 4GR WHITE SPARE PAR		
22	974767000	SELECTION PANEL ASS. 2GR ANTHRACITE		
22	974768000	SELECTION PANEL ASS. 3GR ANTHRACITE		
22	974769000	SELECTION PANEL ASS. 4GR ANTHRACITE SPAR		

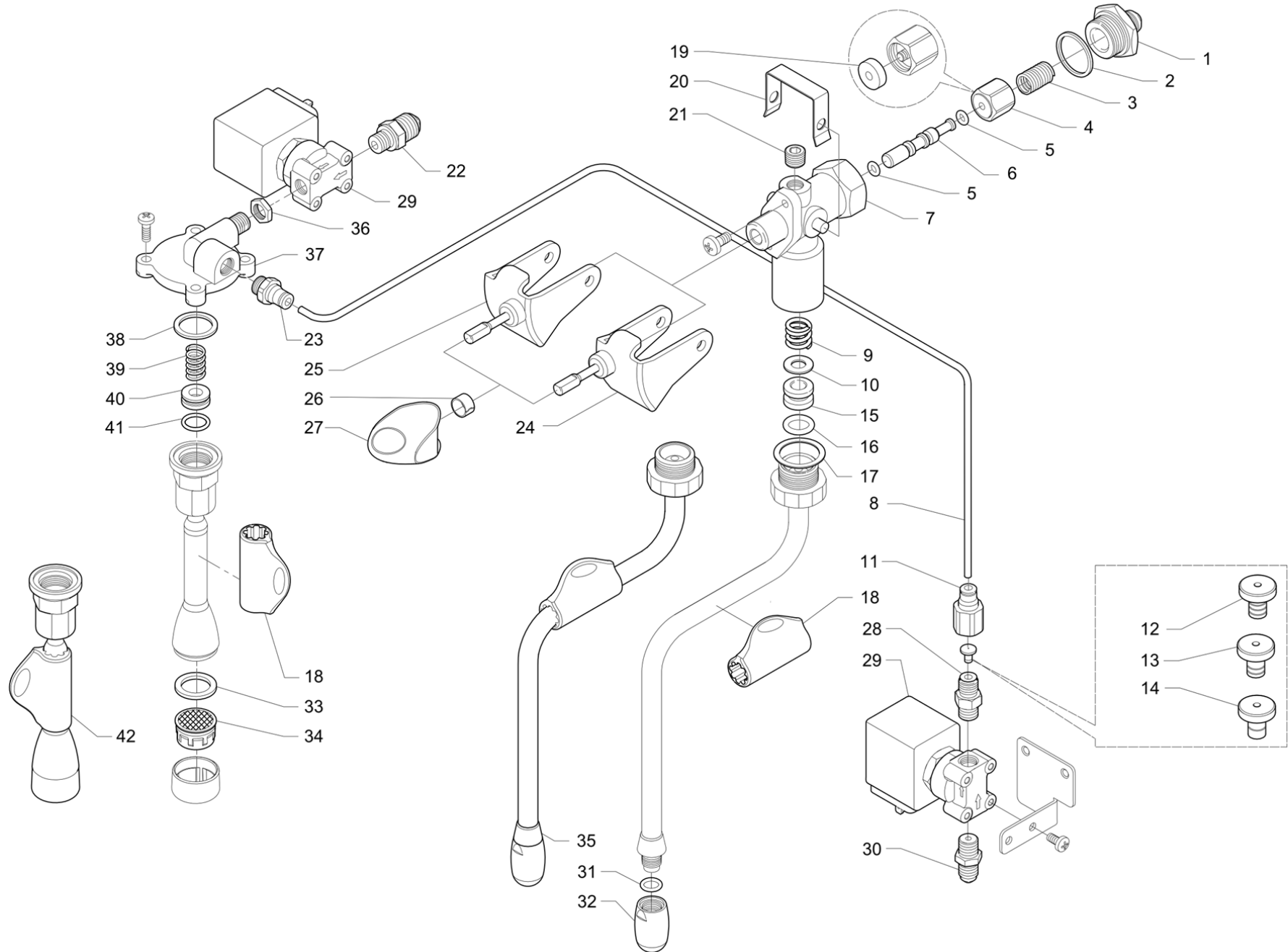


Pos	Part Number	Description	Validity	Notes
1	927099017	CLOSURE DISPLAY CAGE		
2	927136020	GRAPHIC DISPLAY		
3	927500018	PROGRAMMING BOARD		
4	538097010	EMBLEMA LIGHTS CARD		
5	538061000	EMBLEMA R BUTTON PAD CARD FOR SERVICES		
6	927576000	RIGHT PUSH-BUTTON MEMBRANE EMBLEMA A		
7	927229010	BACK PANEL		
8	927100030	SERVICES CARTER		
9	974045000	EMBLEMA USB COVER		
10	538094010	USB CARD		
11	974503010	DISPLAY COVER ASS - CHROME-PLATED GLASS		
12	538102000	EMBLEMA R BUTTON PAD CARD GRP 1/2		
13	927568000	CENTRAL PUSH-BUTTON MEMBRANE EMBLEMA S		
14	927141027	PUSH BUTTON SEAT S		
16	927161010	CUP-WARMER PLATE		
17	927090027	STEAM/HOT WATER PUSH BUTTON SEAT A		
18	927091000	TRIM FOR STEAM/HOT WATER PUSH BUTTON A		
19	538103010	GROUPS CONTROL PANEL CARD		
20	927577000	LEFT PUSH-BUTTON MEMBRANE EMBLEMA A		
21	927097010	STEAM LEVER FRAME		
22	974837000	SELECTION PANEL ASS. 2GR S ANTHRACITE R		
22	974838000	SELECTION PANEL ASS. 2GR S WHITE SPARE P		
22	974839000	SELECTION PANEL ASS. 3GR S ANTHRACITE R		
22	974840000	SELECTION PANEL ASS. 3GR S WHITE SPARE P		
22	974841000	SELECTION PANEL ASS. 4GR S ANTHRACITE R		
22	974842000	SELECTION PANEL ASS. 4GR S WHITE SPARE P		
22	974858000	SELECTION PANEL ASS. 2GR S STAINLESS STE		
22	974859000	SELECTION PANEL ASS. 3GR S STAINLESS STE		
22	974860000	SELECTION PANEL ASS. 4GR S STAINLESS STE		

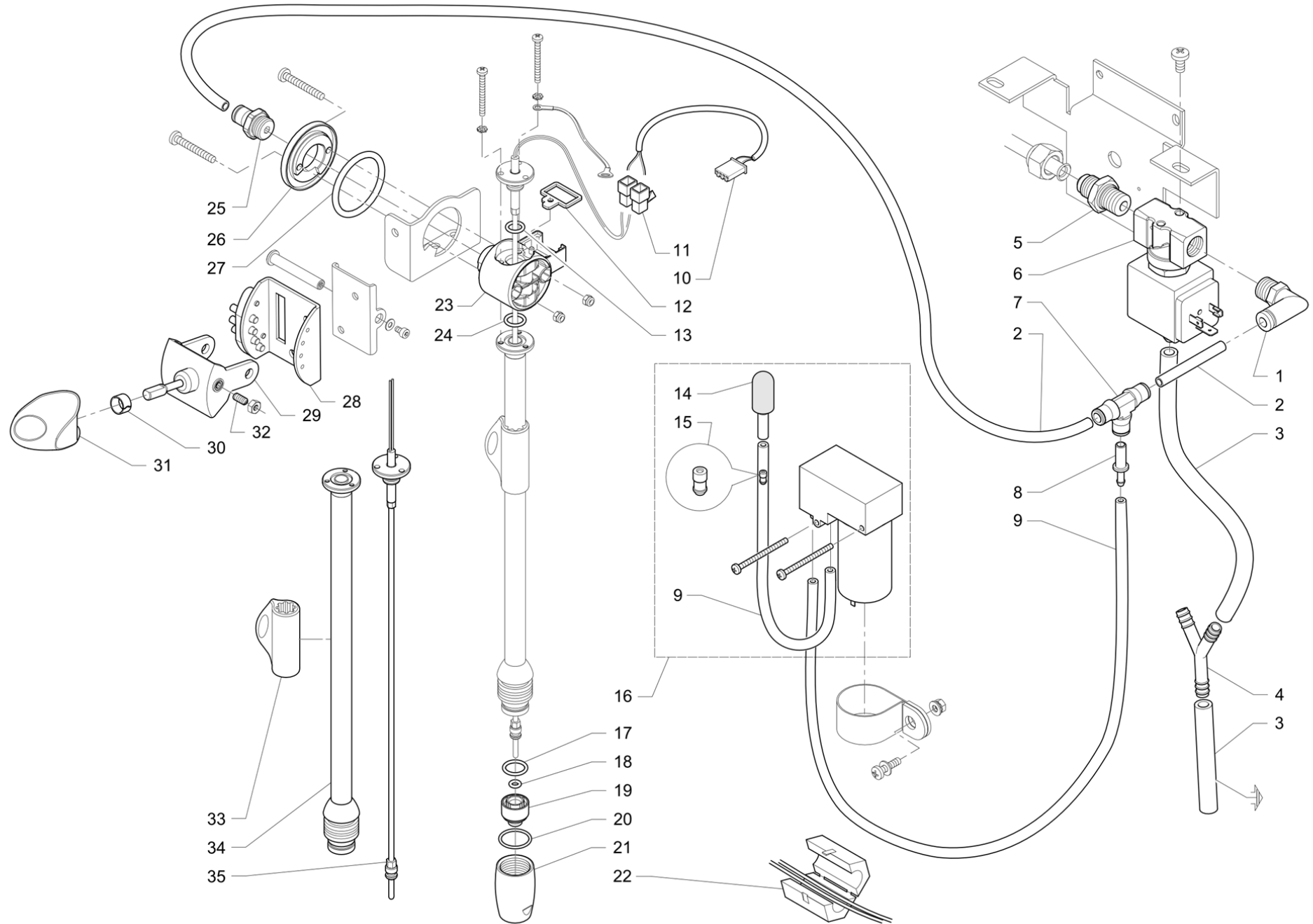


Pos	Part Number	Description	Validity	Notes
1	970554010	2GR BOILER ASS.		
1	970555010	3GR BOILER ASSEMBLY TEOREMA Th 1.2 mm CO		
1	970556010	4GR BOILER ASS.		
1	970576000	BOILER ASS. 2GR TEOREMA WITH RUVECO	N:NSF	
	⇒ 970558008	BOILER ASS. 2GR TEOREMA Th 1.2mm WITH RU	N:NSF	
1	970577000	BOILER ASS. 3GR TEOREMA WITH RUVECO	N:NSF	
	⇒ 970563008	BOILER ASS. 3GR TEOREMA Th 1.2mm WITH RU	N:NSF	
1	970578000	BOIL.ASS.4GR EMBLEM WITH RUV.	N:NSF	
	⇒ 970566008	BOILER ASS. 4GR EMBLEMA R Th. 1.2mm WITH	N:NSF	
2	970064000	FAEMA LEFT BOTTOM INSULATION		
3	970065000	FAEMA 2-GR BOILER PLATING INSULATION		
3	970066000	FAEMA 3-GR BOILER PLATING INSULATION		
3	970067000	INSULATED BOILER PLATING 4GR FAEMA		
4	970063000	FAEMA RIGHT BOTTOM INSULATION		
5	532601000	HOSE ADAPTOR		
6	220000017	SILICONE PIPE D 10X15		
7	532715310	STAINLESS STEEL CLAMP 730x7.96x0.28MM		
8	911596000	INJECTOR		
9	966492000	SAFETY VALVE PROTECTION		
10	532746200	CABLE TIE-RAPS WITH SCREW		
11	532392500	SAFETY VALVE 1,9 1/4G		
12	402302000	GASKET 17X13,2X1X5		
13	537051500	SECURITY VALVE JOINY WITH GAKET		
14	594537010	BLIND NIPPLE 1/4 GAS ST. STEEL		
15	401214000	GASKET		
16	401216000	COPPER GASKET		
17	594538000	1/2 GAS STAINLESS STEEL CAP		
18	593060020	PLUG NUT 1/8"		
19	401183010	GASKET 22X17X1,5 INLET VALVE		
20	457347010	3/8 GAS EXAGONAL INOX CAP		
21	911544020	220-240V 3750-4500W RESISTANCE		
21	911544028	220-240V 3570-4500W RESISTANCE W/ RUVECO	N:NSF	
21	927597020	220V 5400W RESISTANCE L626mm		
21	927597028	220V 5400W RESISTANCE W/RUVECO	N:NSF	
22	927231000	PROTECTION HEATING ELEMENT GR4 NF		
23	915789000	COMPLETE LEVEL PROBE 108MM		
24	531194810	COFFEE BOILER PROBE		
25	401235020	GASKET 11X6,5X1,5		
26	902396020	PLUG NUT 3/8"		
27	402220000	O-RING 9,13X2,62		
28	419088000	DISC. DRAIN TAP		
29	419077010	DRAIN TAP DISC		

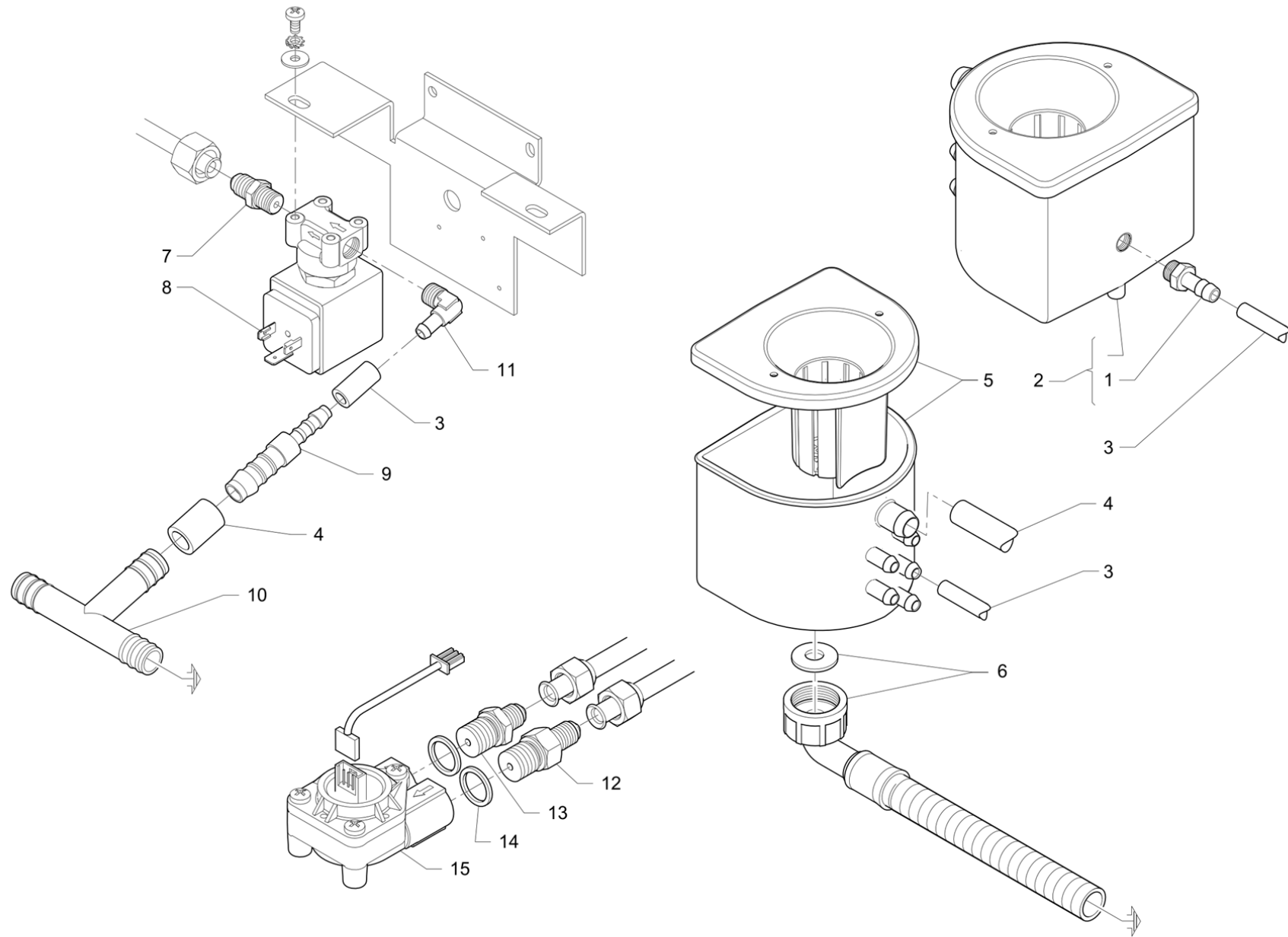
Pos	Part Number	Description	Validity	Notes
30	503308250	S.S. M8X25 BOLD		
31	4054043103	WASHER		
32	4031131467	M8 RESISTANCE FASTENING NUT		
33	4831135020	PROTECTION HEATING ELEMENT		
34	531194720	SFTY. THERMOSTAT		
35	418941010	ANTI-UNDERTOW VALVE ASS.		
36	401250010	GASKET § 17,9X14,2X1,5		
37	937010008	CONNECTOR 1/4" - 1/4"- 1/4" ENVELOPE RUV		
38	590128010	COUNTER NUT 1/4		
39	401194010	GASKET BOILER FLANGE		



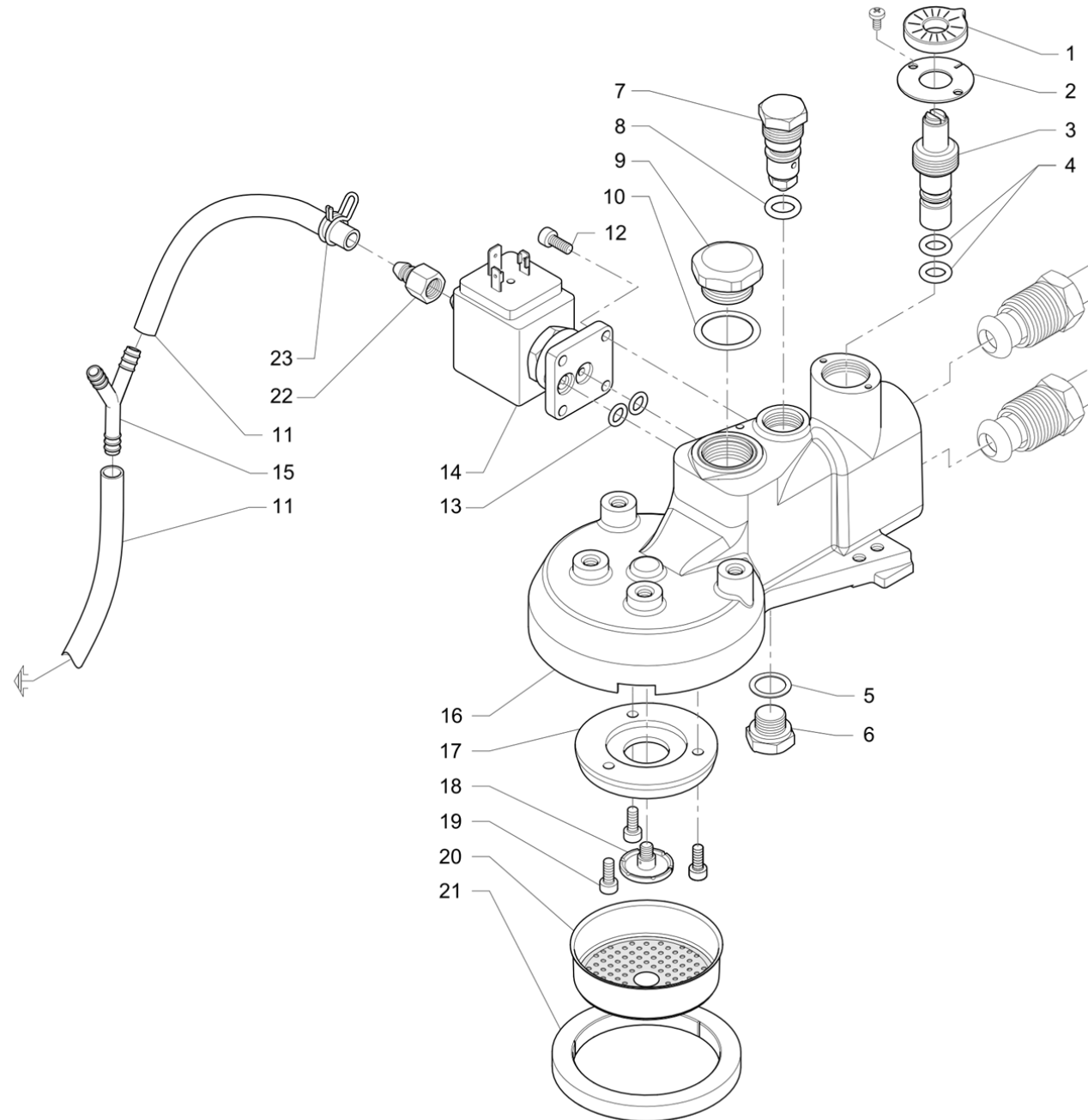
Pos	Part Number	Description	Validity	Notes
1	485219008	UNION		
2	400335010	GASKET 21X24,5X1,5		
3	4731030495	SPRING		
4	903995010	WATER AND STEAM VALVE		
5	402196000	O-RING 4,20X1,90		
6	930067000	TAP VALVE BASE NF		
7	912829010	BODY FAUCET		
8	220000021	TEFLON TUBE D 2,5X4		
9	4731132350	SPRING STEAM WAND		
10	4051047130	WASHER FLAT		
11	532652400	RAPID UNION FOR TUBE 4-1/8F		
12	931211000	NOZZLE OF 1MM INOX		
13	920042000	NOZZLE § 0,8MM INOX		
14	920041000	NOZZLE § 0,6MM NF		
15	4161132346	BUSH IN TEFLON		
16	402206000	GASKET		
17	4701116694	GASKET		
18	927132010	MANIFOLD		
19	402205000	GASKET NF		
20	4731133611	CLAMP		
21	532501300R	SCREW SO-40371-1/8		
22	952126000	NIPPLE 1/8 1/4		
23	532650100	UNION FOR PIPE 4-1/8		
24	911563010	RIGHT TAP LEVER		
25	911564010	TAP LEVER LEFT		
26	4081132841	COMPRESSION RING		
27	927102000	STEAM KNOB		
28	532501800R	FITTING 1/8 X 1/8		
29	533895100R	SOLENOID VALVE 24 V 50/60 VITON 1/8		
29	533896100R	SOLENOID VALVE 2G 24/60NF	N:UL	
30	958086008	NIPPLE 1/8 X 1/8		
31	402223000	O-RING 7,65X1,78 TS PROBE		
32	4151135190	1,5 MM STEAM NOZZLE		
33	402320000F	21X15X2 NSF SEAL		
34	532305000	FILTER		
35	927720040	STEAM WAND		
36	590133000	COUNTER NUT 1/8		
37	407014008	WATER ECONOMIZER SUPPORT		
37	457389008F	NSF WATER MIXER BODY	N:NSF	
38	401183010	GASKET 22X17X1,5 INLET VALVE		
39	485061010	STAIN LESS STEEL SPRING		
40	485078010	GASKET		
41	402209000	O-RING GASKET 10,82X1,78 NF		
42	920739040F	JET BREAKER		



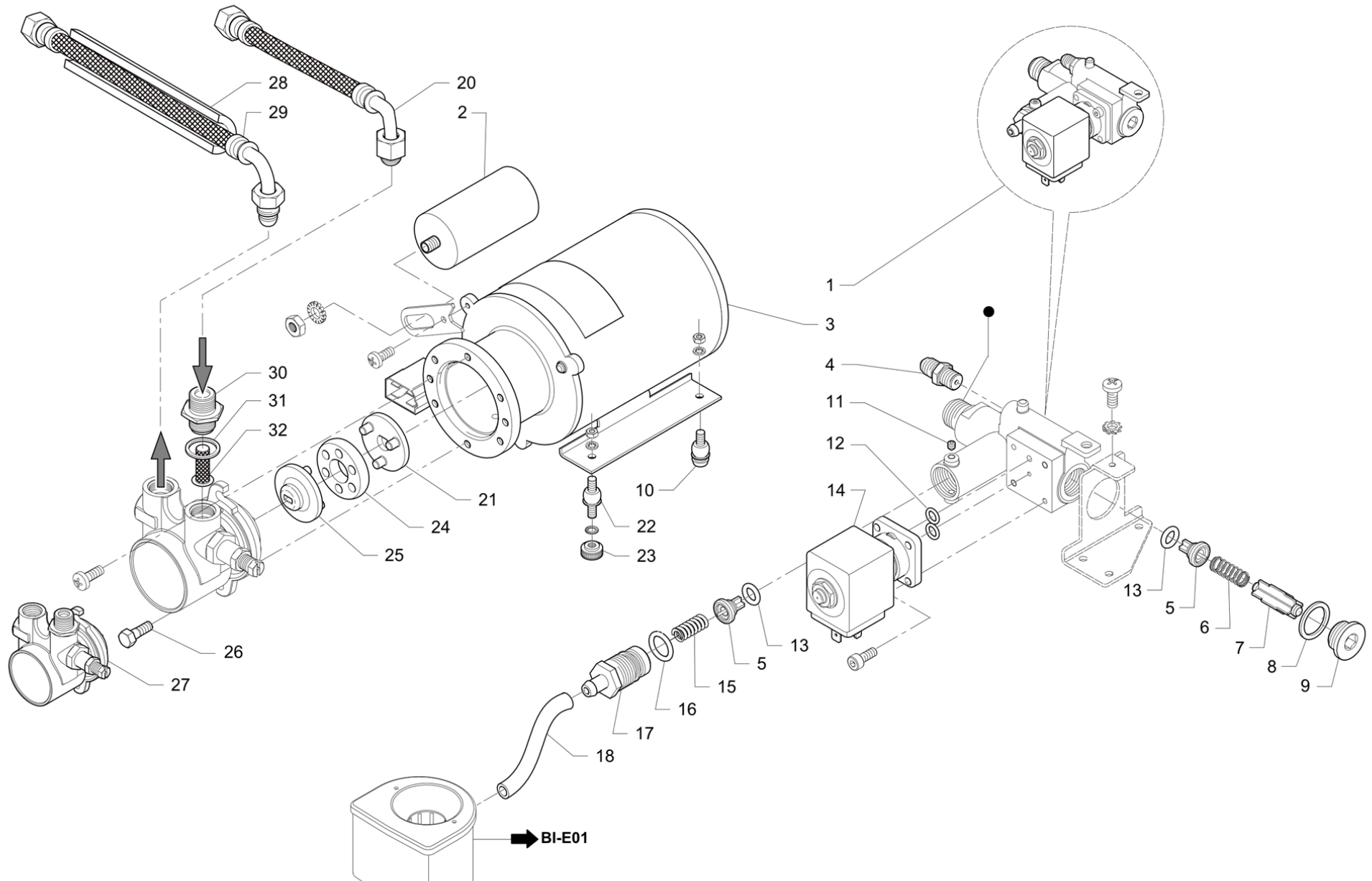
Pos	Part Number	Description	Validity	Notes
1	532651100	UNION 90 6MM PIPE		
2	220000022	RISLAN PIPE 4X6		
3	220000016	SILICONE PIPE D 6X10		
4	532302720	Y-UNION		
5	937021000	JOINT 1/4 CON- 1/4 STAINLESS STEEL ENVEL		
6	533895400R	SOLENOID VALVE 3G ø3 24/50-60		
6	533902300	SOL.VALV. 3-2 NC VITON PARKER 1/4" G UL N:UL		
7	532652700	FAST UNION "T" FOR PIPE D.6		
8	934316000	§6 FAST UNION FOR PIPE 3X6		
9	220000013	SILICONE PIPE D 3X6		
10	431570010	SHIELDED CABLE		
11	532149500	TERMINAL		
12	485291000	CLAMP		
13	402223000	O-RING 7,65X1,78 TS PROBE		
14	534600300	SILENCER		
15	956136010	COMPRESSOR NOZZLE DIAM. 0.35		
16	949732000	COMPRESSOR W/NOZZLE AND FILTER		
17	402287000	OR 11.1X1,78 VITON P018 PROBE TS		
18	402250000	GASKET 3,68 X 1,78 INTERMEDIATE TS		
19	485290030	TS DIFFUSOR 1MM		
20	402289000	OR 16 X 1.5 TS BULB		
21	485288010	TS STEEL BULB		
22	535827000	ANTIDISTURBANCE FILTER		
23	485296030	UPGRADE JOINT		
24	402195000	O-RING 9,25X1,78 NF		
25	532653000	FAST UNION		
26	485289000	ROLLER		
27	402186010	OR 34.52X3.53 PLATIN. GASKET		
28	970746000	TEOREMA AS SENSOR ASSEMBLY		
29	970780000	LEVER CAM WITH MAGNET		
30	4081132841	COMPRESSION RING		
31	927102000	STEAM KNOB		
32	965424000	GRUB SCREW FOR STEAM TAP		
33	927132010	MANIFOLD		
34	485628020	UPGRADE LONG TS PIPE		
35	485626010F	LONG THERMOCOUPLE ASSEMBLY		



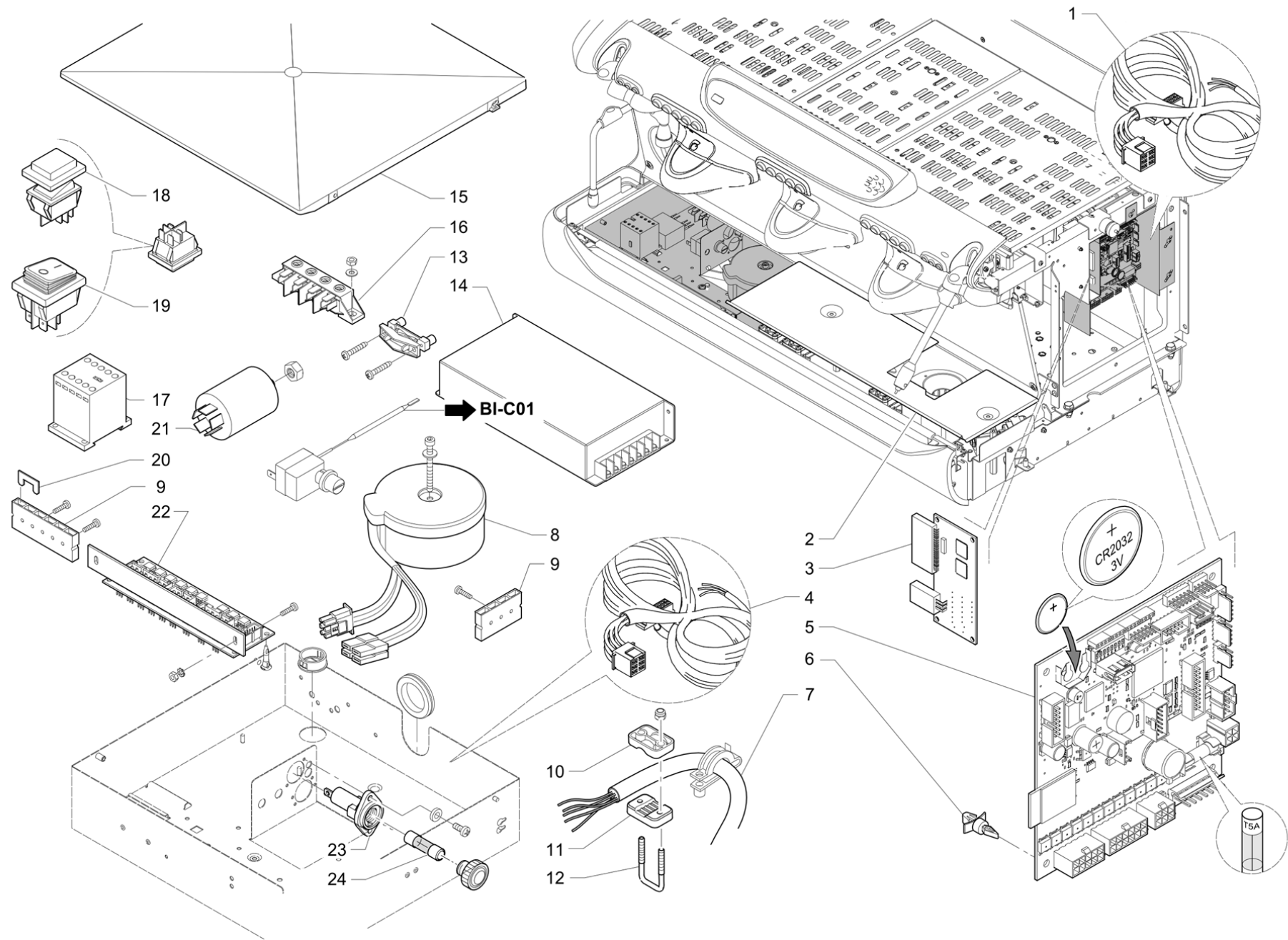
Pos	Part Number	Description	Validity	Notes
1	5323011009	CONNECTOR		
2	959791000	DRAINAGE BASIN ASS. WITH 6 INPUTS		
3	220000016	SILICONE PIPE D 6X10		
4	220000017	SILICONE PIPE D 10X15		
5	959775020	DRAIN BASIN ASS. WITH 5 INPUTS		
	⇒ 959775010	DRAINAGE BASIN ASS. WITH 5 INPUTS		
6	532390600	DRAIN PIPE		
7	958086008	NIPPLE 1/8 X 1/8		
8	533895100R	SOLENOID VALVE 24 V 50/60 VITON 1/8		
8	533896100R	SOLENOID VALVE 2G 24/60NF	N:UL	
9	532600700	HOSE ADAPTOR		
10	4831132541	UNION TEE		
11	591410008	FITTING		
12	952011000	NIPPLE 1/4 X 1/8"		
13	958133020	NIPPLE 1/4 X 1/8		
14	402302000	GASKET 17X13,2X1X5		
15	534393100	FLOWMETER WITH ADAPTOR		



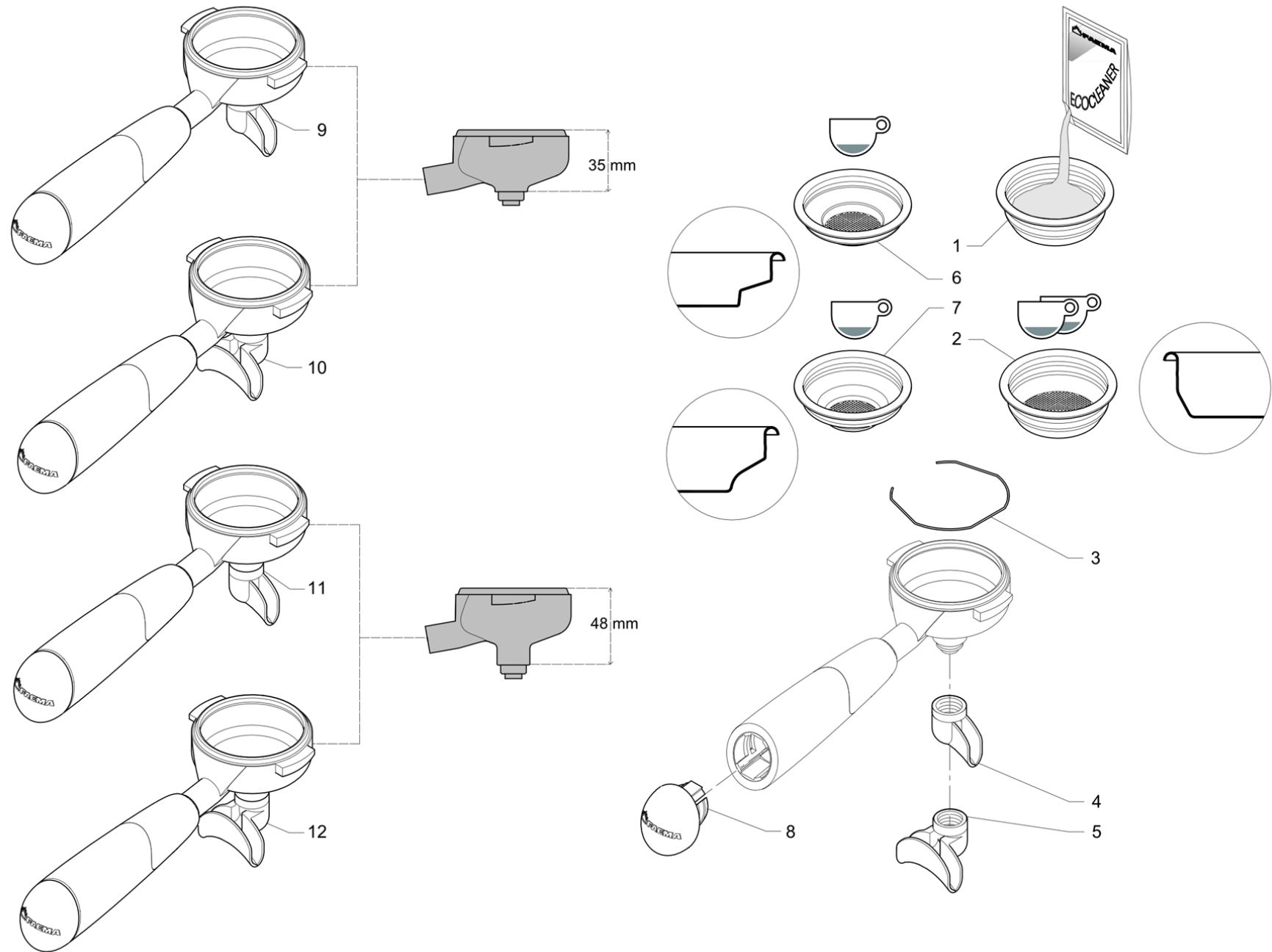
Pos	Part Number	Description	Validity	Notes
1	4991136527	TERMIC REGULATION PIN		
2	4811136587	STOP DISCH		
3	4811135787	SCREW		
4	402194000	O-RING 7.5X2.62 NF		
5	4701116692	GASKET		
6	457344000	PLUG		
7	922785000	GROUP NOZZLE 0,7 MM NF		
8	402197000	O-RING 8,9 X 2,7		
9	457343000	PLUG		
10	4701116694	GASKET		
11	220000016	SILICONE PIPE D 6X10		
12	511804120	S.S. M4X12 VTCE SCREW		
13	402198000	GASKET SOLENOID VALVE		
14	533902900F	SOL.VALVE 3-WAY SMALL BASE 14.5 bar 24V		
	⇒ 533894500R	SOLENOID VALVE		
14	533892300R	SOLENOID VALVE	N:NSF	
15	532302720	Y-UNION		
16	457430008F	FAEMA DISPENSER GROUP W/ADJ W/RUV DISP D		
	⇒ 457339038	BODY ADJUSTER WITH ADJUSTMENT GROUP		
16	457431008F	FAEMA DISPENSER GROUP W/ADJ W/NSF DISP D	N:NSF	
	⇒ 457387008F	NSF GROUP WIHT REGULATION	N:NSF	
17	457341008	DISC FOR GROUP		
17	457388008F	NSF DISPENSER GROUP DISC	N:NSF	
18	457342000	WATER DISTRIBUTER GROUP IN BRASS		
19	4001051934	SCREW M 4 X 10		
20	457560000	SHOWER GROUP		
21	402199010	GROUP GASKET		
22	937055010	1/8 RUBBER HOLDER CONNECTOR		
	⇒ 937055000	1/8 RUBBER HOLDER CONNECTOR		
23	532704200	DOUBLE CABLE TIE-RAPS		



Pos	Part Number	Description	Validity	Notes
1	952706030	VALVE GROUP 24V 50 60Hz		
1	957790000	NSF VALVE GROUP 24V 60Hz	N:NSF	
2	531492400	CAPACITOR 10MF		
2	531492900	CAPACITOR 10mF	N:UL	
3	530298120	PUMP 220/50 HORIZ. MOTOR		
3	530299600	PUMP 220/50 HORIZ. MOTOR UL	N:UL	
4	958072020	NIPPLE 1/8 X 1/8 NOZZLE 0.8		
	⇌ 958072010	NIPPLE 1/8X1/8		
5	958231000	MINI-VALVE		
6	958071000	SPRING FOR VALVE		
7	958073000	SPACER		
8	401183010	GASKET 22X17X1,5 INLET VALVE		
9	457347010	3/8 GAS EXAGONAL INOX CAP		
10	3251133417	RUBBER ANTIVIBRATION		
11	512904050	S.S. M4X5 SCREW		
12	402198000	GASKET SOLENOID VALVE		
13	402314000	OR 7.59x2.62 EPDM 75.5 INLET		
14	533893300R	SOLENOID VALVE 2G 24V/50-60HZ		
14	533895700R	SOLENOID VALVE 2G 24V/60HZ NF	N:UL	
15	958075010	SPRING FOR VALVE		
16	401190000	O-RING 12,37X2,62 EPDM INLET		
17	958076000	ADJUST. SCREW		
18	220000016	SILICONE PIPE D 6X10		
20	532304300	PIPE 3/8 NF	N:NSF	
20	3951130515	PIPE 3/8X 3/8 120øMM 2200		
21	4821023082	MOTOR JOINT		
22	3251133418	RUBBER ANTIVIBRATION		
23	532741400	KNOB M4		
24	4081021923	RING		
25	4821108987	PUMP JOINT		
26	4004136622	SCREW M6		
27	533180010	180 L/h VOLUMETRIC PUMP INOX W/FILTER		
28	462327000	INSULATING MEMBRANE		
29	532304400	VALVE BLOCK-PUMP TUBE NF	N:NSF	
29	3951117886	COMPREHENSIVE PIPE		
30	533100600	JOINT 3/8X3/8		
31	401183010	GASKET 22X17X1,5 INLET VALVE		
32	533100400	INSIDE FILTER		



Pos	Part Number	Description	Validity	Notes
1	535785068	BT GEN. CABLING ASS.		
1	535821010	3 GR ADD. WIRING M34-M39 RESTYLING		
1	535822010	4 GR ADD. WIRING M34-M39 RESTYLING		
2	920404034	HORIZONTAL 3-GROUP COVER		
2	920405014	4-GR HORIZONTAL COVER		
	⇒ 920405024	4 GR HORIZONTAL COVER		
2	920406024	HORIZONTAL 2-GROUP COVER		
3	537043500	DISPLAY ADAPTOR BOARD		
4	535776040	POWER WIRING 2-3 GROUPS M.34		
	⇒ 535776030	POWER CABLING 2		
5	537059400	NEWTON CPU BOARD		
	⇒ 947758020	CPU BOARD NEWTON		
6	532729700	BOARD SUPPORT		
7	421214000	WIRE		
7	423060000	WIRING		
7	530112900	WIRE	N:UL	
7	530114300	WIRING	N:UL	
8	530901910	TRASFORMER		
9	532125000ZZ	6.3X0.8 CABLE FAST. CLAMP		
10	532160400	MOBILE CABLE PRESS		
11	532160300	FIXED CABLE PRESS		
12	532160200	FORK		
13	532123300	CORD FIXING LOCK		
14	949525000	SWITCHING POWER S.		
	⇒ 530990800	TRANSFORMER 24V DC		
15	952009010	COVER FOR ELEC.BOX		
16	532161500	TERMINAL BOARD		
17	531503520	CONTACTOR 4P 220/240V		
18	532091300	GREEN BIPOLAR SWITCH	N:KTL	
19	532024500	SWITCH		
20	532163000	JUMPER		
21	531404200	PHASE FILTER 115/250V 50/60 Hz		
22	537060500	POWER SLAVE NEWTON BOARD		
	⇒ 947759000	POWER SLAVE BOARD		
23	530111000	FUSE HOLDER	N:UL	
24	530112200	FUSE CC15 A	N:UL	



Pos	Part Number	Description	Validity	Notes
1	800021902	SHOWER WASCHER BLIND FILTER		
2	457369000	2-CUP FILTER		
3	457874000	SPRING FOR LOCKING THE COFFEE FILTER		
4	457569000F	1-WAY SPOUT ASS. (E)		
	⇔ 457569007	1-WAY SPOUT ASS. (E)		
5	457568000F	2-WAY SPOUT ASS. (E)		
	⇔ 457568007	2-WAY SPOUT ASS. (E)		
6	457362000	1-CUP FILTER LOW		
7	457368000	COFFEE FILTER 1 CUP		
8	927111007	KNOB CLOSURE CROME EMBLEMA		
9	457899050	EMBLEMA 1-WAY FILTER-HOLDER ASSEMBLY (E)		
	⇔ 457899040	EMBLEMA 1-WAY FILTER-HOLDER ASSEMBLY (E)		
9	957763000F	1-WAY (E) NSF EMBLEMA FILTER-HOLDER ASSE	N:NSF	
10	457898050	EMBLEMA 2-WAY FILTER-HOLDER ASSEMBLY (E)		
	⇔ 457898040	EMBLEMA 2-WAY FILTER-HOLDER ASSEMBLY (E)		
10	957764000F	2-WAY (E) NSF EMBLEMA FILTER HOLDER ASSE	N:NSF	
11	457897050	EMBLEMA 1-WAY FILTER-HOLDER ASSEMBLY (I)		
	⇔ 457897040	EMBLEMA 1-WAY FILTER-HOLDER ASSEMBLY (I)		
11	957765000F	1-WAY (I) NSF FILTER-HOLDER ASSEMBLY	N:NSF	
12	457896050	EMBLEMA 2-WAY FILTER-HOLDER ASSEMBLY (I)		
	⇔ 457896040	EMBLEMA 2-WAY FILTER-HOLDER ASSEMBLY (I)		
12	957766010F	EMBLEMA 2-WAY (I) NSF FILTER-HOLDER ASSY	N:NSF	
	⇔ 957766000F	2-WAY (I) NSF FILTER HOLDER	N:NSF	

