

1000-590 894

Pos	Part Number	Description	Validity	Notes
-	537032900	MILK FROTHER		
	⇒ 1000590894	REPLACED BY 537032900		
-	2211131687	FLOW REGULATOR FORMATION		
-	2851135194	RING		
-	2951135122	EXTENSION CAPPUCCINO RUBBER PLATED		
-	402241000	O-RING 34,65 X 1,78		
	⇒ 4701030136	O-RING		
-	401371000	GASKET 6,75 X 1,78		
	⇒ 4701030138	REPLACED BY 401371000		
-	4701030139	O-RING 2,90X1,78		
-	4701030140	O-RING 3,68X1,78		
-	4701116687	O-RING		
-	4701119824	O-RING		
-	4811119797	PIN		
-	4831119836	NOZZLE 2,5 MM CAPPUCCINO		
-	4831131662	AIR REGULATION SCREW		
-	4831131670	CAPPUCCINO MAKER STEAM NOZZLE		
-	4831134937	COPERCHIO PER CAPPUCCINATORE		
-	484391000	4,8X7,9X1000 SILICON PIPE		
-	433072007	RING NUT		
	⇒ 4851135140	REPLACED BY 433072007		
-	4742119799	FROTHER HANDLE		
	⇒ 4851135141	FROTHER HANDLE		

Pos	Part Number	Description	Validity	Notes
-	400335010	GASKET 21X24,5X1,5		
	⇌ 400335000	GASKET		
-	402218000	GASKET 14X1.78 NF		
	⇌ 401305000	GASKET 14X1.78		
-	402199010	GROUP GASKET		
	⇌ 402199000	GROUP GASKET NF		
-	402223000	O-RING 7,65X1,78 TS PROBE		
	⇌ 402230000	GASKET		
-	993761000F	EXPANSION VALVE ASSEMBLY NSF		
	⇌ 415929020	EXPANSION VALVE NF		
-	415932010	EXPANSION VALVE		
	⇌ 415932000	EXPANSION VALVE		
-	418012028	SHORT VALVE		
	⇌ 418012020	SHORT VALVE		
-	418012028	SHORT VALVE		
	⇌ 418012026	CHECK VALVE		
-	418941010	ANTI-UNDERTOW VALVE ASS.		
	⇌ 418911002	VACUM VALVE		
-	418941010	ANTI-UNDERTOW VALVE ASS.		
	⇌ 418911010	VACUM VALVE		
-	418935030	CHECK VALVE		
	⇌ 418935000	CHECK VALVE		
-	418935030	CHECK VALVE		
	⇌ 418935010	CHECK VALVE		
-	993760000F	CHECK VALVE ASSEMBLY 3/8" - 1/8"		
	⇌ 418938000	CHECK VALVE NF		
-	418941010	ANTI-UNDERTOW VALVE ASS.		
	⇌ 418941000	ANTI-UNDERTOW VALVE ASS.		
-	419947000	BOILER DRAIN ASS. - STRAIGHT 1/8		
	⇌ 419076001	TAP BODY		
-	419947000	BOILER DRAIN ASS. - STRAIGHT 1/8		
	⇌ 419076006	DISCHARGE TAP GROUP NF		
-	430119010	SLEEVE		
	⇌ 430119000	MANIFOLD		
-	931211000	NOZZLE OF 1MM INOX		
	⇌ 431293000	NOZZLE OF 1MM		
-	433096000	MILK FROTHER COVER		
-	433099000	PIVOT		
-	438926030	SAFETY VALVE 2,0		
-	457062000	BRUSH		
-	457430008F	FAEMA DISPENSER GROUP W/ADJ W/RUV DISP D		
	⇌ 457339008	DISPENSER GROUP BODY		
-	457430008F	FAEMA DISPENSER GROUP W/ADJ W/RUV DISP D		

Pos	Part Number	Description	Validity	Notes
	⇌ 457339028	DISPENSER GROUP BODY		
-	457347010	3/8 GAS EXAGONAL INOX CAP		
	⇌ 457347000	PLUG 3/8		
-	457355017	FILTERHOLDER BODY		
	⇌ 457355007	FILTER-HOLDER BODY		
-	457358017	1 WAY SPOUT		
	⇌ 457358007	SPOUT 1 CUP FOREIGN		
-	457360017	SPOUT 1 CUP ITALY SHORT		
	⇌ 457360007	SPOUT 1 CUP ITALY SHORT		
-	457365017	2 WAY NSF SPOUT BODY		
	⇌ 457365007	SPOUT DOUBLE SHORT NF		
-	457886070	2-WAY (E) FILTER-HOLDER ASSY		
	⇌ 457886000	FILTERHOLDER 2 CUPS FOREIGN DIPL.		
-	457886070	2-WAY (E) FILTER-HOLDER ASSY		
	⇌ 457886010	FILTERHOLDER 2 CUPS FOREIGN DIPL.		
-	457887070	1-WAY (E) FILTER-HOLDER ASSY		
	⇌ 457887000	FILTERHOLDER 1 CUP DIPL. FOREIGN		
-	457887070	1-WAY (E) FILTER-HOLDER ASSY		
	⇌ 457887010	FILTERHOLDER 1 CUP DIPL. FOREIGN		
-	457888070	2-WAY (I) FILTER-HOLDER ASSY		
	⇌ 457888000	FILTERHOLDER 2 CUPS ITALY DIPL.		
-	457888070	2-WAY (I) FILTER-HOLDER ASSY		
	⇌ 457888010	FILTERHOLDER 2 CUPS ITALY DIPL.		
-	457889070	1-WAY (I) FILTER-HOLDER ASSY		
	⇌ 457889000	FILTERHOLDER DIPL. ITALY		
-	457889070	1-WAY (I) FILTER-HOLDER ASSY		
	⇌ 457889010	FILTERHOLDER DIPL. ITALY		
-	457894020	COMPLETE 2 WAY SPOUT		
	⇌ 457894000	DOUBLE SPOUT (I)		
-	457894020	COMPLETE 2 WAY SPOUT		
	⇌ 457894010	DOUBLE SPOUT (I)		
-	457895020	SPOUT DOUBLE SHORT		
	⇌ 457895000	SPOUT DOUBLE SHORT		
-	457895020	SPOUT DOUBLE SHORT		
	⇌ 457895010	SPOUT DOUBLE SHORT		
-	533180010	180 L/h VOLUMETRIC PUMP INOX W/FILTER		
	⇌ 462713000	VOLUMETRIC PUMP 120LT/H NF		
-	462987002	PUMP MOTOR 220-240V/50-60HZ		
	⇌ 462987000	PUMP MOTOR 220-240V/50-60HZ		
-	533180010	180 L/h VOLUMETRIC PUMP INOX W/FILTER		
	⇌ 462991000	VOLUMETRIC PUMP 120LT/H		
-	533180010	180 L/h VOLUMETRIC PUMP INOX W/FILTER		
	⇌ 462991010	VOLUMETRIC PUMP 120LT/H		
-	484016048	CONNECTOR FOR DISPENSER		
	⇌ 484016020	UNION		

Pos	Part Number	Description	Validity	Notes
-	484016048	CONNECTOR FOR DISPENSER		
	⇄ 484016026	UNION NF		
-	484016048	CONNECTOR FOR DISPENSER		
	⇄ 484016028	UNION		
-	485200038	COVER FOR STEAM TUBE CONFIGURATION		
	⇄ 485200010	S/S UNION		
-	485200038	COVER FOR STEAM TUBE CONFIGURATION		
	⇄ 485200026	FITTING		
-	485201008	BRASS SPACER §14.9X13		
	⇄ 485201006	BRASS SPACER ø14.9X13 NF		
-	485219008	UNION		
	⇄ 485219000	UNION		
-	485226050	THERMOCOUPLE STEAM BULB		
	⇄ 485226040	THERMOCOUPLE STEAM BULB		
-	485244040	THERMOCOUPLE STEAM TIP (HOLES §1)		
	⇄ 485244029	THERMOCOUPLE STEAM TIP (HOLES §1)		
-	485244040	THERMOCOUPLE STEAM TIP (HOLES §1)		
	⇄ 485244030	THERMOCOUPLE STEAM TIP (HOLES §1)		
-	485610020	SHORT STEAM WAND WITH THERMOCOUPLE		
	⇄ 485610000	SHORT STEAM WAND WITH THERMOCOUPLE		
-	485610020	SHORT STEAM WAND WITH THERMOCOUPLE		
	⇄ 485610010	SHORT STEAM WAND WITH THERMOCOUPLE		
-	485611020	STEAM WAND WITH THERMOCOUPLE V.A.		
	⇄ 485611000	STEAM WAND WITH THERMOCOUPLE V.A.		
-	485611020	STEAM WAND WITH THERMOCOUPLE V.A.		
	⇄ 485611010	STEAM WAND WITH THERMOCOUPLE V.A.		
-	485756020	ST. STEEL STEAM WAND MM2		
	⇄ 485756000	STEAM WAND STAIN LESS STEEL		
-	485756020	ST. STEEL STEAM WAND MM2		
	⇄ 485756010	ST. STEEL STEAM WAND ASS. W/FAEMA BULB		
-	485757020	ST. STEEL STEAM TUBE ASS. BULB 1.5		
	⇄ 485757000	INOX STEAM WAND WITH 1,5 NOZZLE		
-	485757020	ST. STEEL STEAM TUBE ASS. BULB 1.5		
	⇄ 485757010	ST. STEEL STEAM TUBE ASS. BULB		
-	485756020	ST. STEEL STEAM WAND MM2		
	⇄ 485997000	STEAM WAND NF		
-	490050000	FEED IN POWER CABLE USA J PLUG		
-	937108000F	JET NOZZLE Ø 0.8		
	⇄ 491173006	JET 0,8MM.		
-	492298018	ELBOW FITTING VALVE 3/8F -3/8M RUVECO		
	⇄ 492298008	SAFETY VALVE UNION 3/8F -3/8M RUV		
-	503705300	CROSS-SLOTTED SCREW		
-	530118700	DELAYED FUSE Ø5X20 125mA (ST520112)		
	⇄ 530115700	FUSE 5X20 0,315A		
-	938897000	24 "TURBOSTEAM" COMPRESSOR		

Pos	Part Number	Description	Validity	Notes
	⇌ 530298008	24 "TURBOSTEAM" COMPRESSOR		
-	531190310	PRESSOSTAT		
	⇌ 531194200	PRESSURE-STAT UL		
-	531194720	SFTY. THERMOSTAT		
	⇌ 531194700	SAFETY THERMOSTAT		
-	531194720	SFTY. THERMOSTAT		
	⇌ 531194710	SAFETY THERMOSTAT		
-	532172300	FEED IN POWER CABLE 3X12 AWG 250V 20A		
-	532391500	1/8X1/8 FLEXIBLE PIPE MM 370 NF		
-	532501300R	SCREW SO-40371-1/8		
	⇌ 532501300	SCREW SO-40371-1/8		
-	532501300R	SCREW SO-40371-1/8		
	⇌ 532501306	SCREW PLUG NF		
-	532501500R	STRAIGHT PIPE		
	⇌ 532501500	STRAIGHT PIPE		
-	532501500R	STRAIGHT PIPE		
	⇌ 532501506	CONNECTION		
-	532501600R	FITTING 1/8 F		
	⇌ 532501600	FITTING 1/8 F		
-	532501600R	FITTING 1/8 F		
	⇌ 532501606	ELBOW UNION		
-	532503500R	1/4-1/4 UNION		
	⇌ 532503500	1/4-1/4 UNION		
-	592029000R	PIPE UNION BLIND		
	⇌ 532506106	BLANK OLIVE 1/8 NF		
-	555000050R	FITTING		
	⇌ 532506206	CONNECTION		
-	555000050R	FITTING		
	⇌ 532506216	CONNECTION		
-	555000035R	FITTING		
	⇌ 532506506	CONNECTION		
-	555000110R	PIPE UNION		
	⇌ 532507306	OLIVE D6		
-	555000074R	FITTING		
	⇌ 532507706	MALE ELBOW 1/8 X 1/4 NF		
-	532508400R	ELBOW UNION 1/4X1/4F		
	⇌ 532508400	ELBOW UNION 1/4X1/4F		
-	532509308	T - FITTING		
	⇌ 532509300	T - FITTING		
-	532509308	T - FITTING		
	⇌ 532509306	T - FITTING NF		
-	532509308	T - FITTING		
-	925783010	PUMP FILTER		
	⇌ 532653600	PUMP FILTER NF		
-	532715310	STAINLESS STEEL CLAMP 730x7.96x0.28MM		

Pos	Part Number	Description	Validity	Notes
	⇌ 532715300	HOSE CLAMP		
-	532732100	CLAMP		
-	532745400	CLAMP		
-	532802210	UL FOOT		
	⇌ 532802200	UL FOOT		
-	533100500	OR 18X22		
-	533180010	180 L/h VOLUMETRIC PUMP INOX W/FILTER		
	⇌ 533180000	VOLUMETRIC PUPMP INOX 180 L/H		
-	533180010	180 L/h VOLUMETRIC PUMP INOX W/FILTER		
	⇌ 533408000	VOLUMETRIC PUMP 180LT/H inox		
-	985716020F	M22X1 JET BREAKER		
	⇌ 533590600	JET BREAKER M22X1 NF		
-	533894600R	SOLENOID VALVE		
	⇌ 533795610	SOLENOID VALVE		
-	533795910R	SOLENOID VALVE		
	⇌ 533795910	SOLENOID VALVE		
-	533904800F	VITON 1/8" 220/240 V 50/60 Hz EV 2 VIE N		
	⇌ 533798310	SOLENOID VALVE U.L.		
-	533799000R	SOLENOID 2G 200-208/50-60 LU		
	⇌ 533799000	SOLENOID 2G 200-208/50-60 LU		
-	533892500R	SOLENOID VALVE		
	⇌ 533892500	SOLENOID VALVE		
-	533893200R	SOLENOID VALVE 120/60 NF		
	⇌ 533893200	SOLENOID VALVE 120/60 NF		
-	533894918	SOLENOID VALVE 3V RUB. 1/4 200 50/60		
	⇌ 533894900	SOLENOID VALVE 3V RUB. 1/4 200 50/60		
-	533895800R	SOLENOID VALVE 3G DIAM.3 1/4 220-240/50		
	⇌ 533895800	SOLENOID VALVE 3G DIAM.3 1/4 220-240/50		
-	533896000	SOLENOID VALVE 3G D.3 1/4 208-240/60UL		
-	533904900F	VITON 1/8" 208/240 V 60 Hz EV 2 VIE NC		
	⇌ 533896200	SOLENOID VALVE 208-240/60 NF		
-	533896300R	SOLENOID VALVE 100-120/60NF		
	⇌ 533896300	SOLENOID VALVE 120/60 NF		
-	533902400	SOL.VALV. 3-2 NC VITON PARKER 1/4" G UL		
	⇌ 533897000	SOLENOID VALVE 3G DIAM.3 1/4 110-120V UL		
-	534393100	FLOWMETER WITH ADAPTOR		
	⇌ 534391800	WIRED FLOWMETER		
-	534393100	FLOWMETER WITH ADAPTOR		
	⇌ 534392300	WIRED FLOWMETER		
-	535688008	WIRING		
-	536100110	PISTON COMPRESSOR		
-	537036800	BY-PASS WITH VALVE		
-	485226050	THERMOCOUPLE STEAM BULB		
	⇌ 537037000	THERMOCOUPLE STEAM BULB		

Pos	Part Number	Description	Validity	Notes
-	537055300	ANTI-WHIRLPOOL VALVE KIT		
	⇌ 537040300	VACUUM VALVE		
-	537047500	SAFETY VALVE KIT CFB		
-	537047600	SAFETY VALVE KIT FA		
-	533180010	180 L/h VOLUMETRIC PUMP INOX W/FILTER		
	⇌ 537048400	VOLUMETRIC PUMP 120 LT/H		
-	537055300	ANTI-WHIRLPOOL VALVE KIT		
-	555000035R	FITTING		
	⇌ 555000035	FITTING		
-	555000050R	FITTING		
	⇌ 555000050	FITTING		
-	555000074R	FITTING		
	⇌ 555000074	FITTING		
-	594537010	BLIND NIPPLE 1/4 GAS ST. STEEL		
	⇌ 590086000	NIPPLES BLIND		
-	594537010	BLIND NIPPLE 1/4 GAS ST. STEEL		
	⇌ 590086006	BLIND NIPPLE		
-	590533008	NIPPLES DOUBLE 3/8X1/8		
	⇌ 590533000	NIPPLES DOUBLE 3/8X1/8		
-	590533008	NIPPLES DOUBLE 3/8X1/8		
	⇌ 590533006	CONNECTION		
-	457364000	PLUG 3/8		
	⇌ 590535010	PLUG 3/8		
-	457364000	PLUG 3/8		
	⇌ 590535016	PLUG 3/8 NF		
-	419084000	NIPPLES DOUBLE 1/8 - 1/2		
	⇌ 590563006	CONNECTION		
-	590600018	NIPPLES FLOWMETER		
	⇌ 590600010	NIPPLES FLOWMETER		
-	591410008	FITTING		
	⇌ 591410000	FITTING		
-	591487008	UNION 1/4 RUV		
	⇌ 591487000	UNION 1/4 M		
-	592029000R	PIPE UNION BLIND		
	⇌ 592029000	PIPE UNION BLIND		
-	592029000R	PIPE UNION BLIND		
	⇌ 592029006	UNION		
-	592036018	SPECIAL UNION RUV		
	⇌ 592036000	PIPE UNION		
-	592036018	SPECIAL UNION RUV		
	⇌ 592036006	SPECIAL UNION NF		
-	457344000	PLUG		
	⇌ 593055006	SCREW PLUG		
-	457343000	PLUG		
	⇌ 593056006	SCREW PLUG		

Pos	Part Number	Description	Validity	Notes
-	593060020	PLUG NUT 1/8"		
	⇌ 593060010	PLUG NUT 1/8"		
-	594537010	BLIND NIPPLE 1/4 GAS ST. STEEL		
	⇌ 594537000	NIPPLES BLIND		
-	902138016	FILTER-HOLDER BODY NF		
-	902176000	POWER CABLE		
-	457342000	WATER DISTRIBUTER GROUP IN BRASS		
	⇌ 902405006	WATER DISTRIBUTER GROUP IN BRASS NF		
-	915241010	SAFETY VALVE DRAIN		
	⇌ 903032000	SAFETY VALVE DRAIN		
-	903723020	SAFETY VALVE		
-	903995010	WATER AND STEAM VALVE		
	⇌ 903995000	WATER AND STEAM VALVE		
-	908014008	UNION		
	⇌ 908014000	UNION		
-	537051500	SECURITY VALVE JOINY WITH GAKET		
	⇌ 910396000	SAFETY VALVE UNION		
-	910414010	MAIN CABLE 4X3,5		
-	911310000	SPRING		
	⇌ 911245000	SPRING		
-	911273010	BACK PANEL		
	⇌ 911309000	BACK PANEL		
-	911334006	SPOUT ONE WAY NF		
-	911544020	220-240V 3750-4500W RESISTANCE		
	⇌ 911544000	HEATING ELEMENT 3E 220-240V 3750 4500W		
-	911544020	220-240V 3750-4500W RESISTANCE		
	⇌ 911544010	HEATING ELEMENT 3E 220-240V 3750 4500W		
-	911545020	220-240V 4500-5360W RESISTANCE		
	⇌ 911545000	RESIST.3E.220-240V 4500-5360W		
-	911545028	220-240V 4500-5360W RESISTANCE W/ RUVECO		
	⇌ 911545006	HEATING ELEMENT 3E 220-240V 4500-5360W		
-	911545020	220-240V 4500-5360W RESISTANCE		
	⇌ 911545010	HEATING ELEMENT 3E 220-240V 4500-5360W		
-	911545028	220-240V 4500-5360W RESISTANCE W/ RUVECO		
	⇌ 911545018	HEATING ELEMENT 3E 220-240V 4500-5360W		
-	911546028	220-240V 5700-6800W RESISTANCE W/ RUVECO		
	⇌ 911546006	HEATING ELEMENT 3EL.220-240V 5700-6800W		
-	911546028	220-240V 5700-6800W RESISTANCE W/ RUVECO		
	⇌ 911546018	HEATING ELEMENT 3EL.220-240V 5700-6800W		

Pos	Part Number	Description	Validity	Notes
-	911563010	RIGHT TAP LEVER		
	⇌ 911563000	RIGHT TAP LEVER		
-	911564010	TAP LEVER LEFT		
	⇌ 911564000	TAP LEVER LEFT		
-	911990000	2GR BOILER ASS.		
	⇌ 911573000	BOILER GR2		
-	911982000	2GR BOILER ASS. W/RUVECO		
	⇌ 911573006	BOILER GR2 NF		
-	911991000	3GR BOILER ASS.		
	⇌ 911574000	BOILER GR3		
-	911983000	3GR BOILER ASS. W/RUVECO		
	⇌ 911574006	BOILER GR3 NF		
-	911990000	2GR BOILER ASS.		
	⇌ 911619000	2 GR BOILER ASSY Th. 1.2 mm		
-	911982000	2GR BOILER ASS. W/RUVECO		
	⇌ 911620008	2GR BOILER ASS. W/RUVECO		
-	911991000	3GR BOILER ASS.		
	⇌ 911621000	3 GR BOILER ASSY Th. 1.2 mm		
-	911983000	3GR BOILER ASS. W/RUVECO		
	⇌ 911622008	3 GR BOILER ASSY Th. 1.2 mm W/RUVECO		
-	911624008	ENOVA 1GR BOILER ASS. W/RUVEC		
	⇌ 911624002	ASS. CALDAIA ENOVA 1GR Sp 1.2 mm COLL.		
-	911982000	2GR BOILER ASS. W/RUVECO		
	⇌ 911681008	2-GR JPN BOILER ASS. W/RUVECO		
-	930020010	STEAM TAP HANDLE SMART R		
	⇌ 911736000	KNOB		
-	3529133899	KNOB GENERAL SWITCH BLACK		
	⇌ 911737000	KNOB MAIN SWITCH		
-	912829010	BODY FAUCET		
	⇌ 912829000	BODY FAUCET		
-	913124010	SAFETY VALVE PROTECTION		
	⇌ 913124000	SAFETY VALVE PROTECTION		
-	913159008	NIPPLE 1/4 X 1/4		
	⇌ 913159000	NIPPLE 1/4 X 1/4		
-	913160008	NIPPLE 3/8 X 3/8		
	⇌ 913160000	NIPPLE 3/8 X 3/8		
-	915102010	CAP		
	⇌ 915102000	CAP		
-	915124010	3GR PROTECTIVE PLATE		
	⇌ 915124004	COVER PLATE GR3		
-	915133020	FRONT PANEL 3GR HIGH GLASSES		
	⇌ 915133000	FRONT PANEL 3GR HIGH GLASSES		
-	915134010	FRONT PANEL 3GR		
	⇌ 915134000	FRONT PANEL 3GR		
-	915135004	PROTECTION		

Pos	Part Number	Description	Validity	Notes
-	915140010	GR3 FRONTA PROFILE		
	⇄ 915140000	GR3 FRONTA PROFILE		
-	915141010	GR3 VA FRONTAL PROFILE		
	⇄ 915141000	GR3 VA FRONTAL PROFILE		
-	915304007	ENOVA 3GR BACK LOWER PANEL CHROMINUM PLA		
	⇄ 915142000	DISPLAY WINDOW GR3 ENOVA		
-	915143000	ENOVA 3GR BACK LOWER PANEL		
-	915143010	ENOVA 3GR BACK LOWER PANEL		
-	915144010	CUPWARMER FRONTAL PROFILE 3GR		
	⇄ 915144000	CUPWARMER FRONTAL PROFILE 3GR		
-	915151040	ENOVA LH CUP-HEATER UPPER GUARD		
	⇄ 915151000	INTERNAL PANEL SX		
-	915151040	ENOVA LH CUP-HEATER UPPER GUARD		
	⇄ 915151010	INTERNAL PANEL SX		
-	915151040	ENOVA LH CUP-HEATER UPPER GUARD		
	⇄ 915151020	INTERNAL PANEL SX		
-	915151040	ENOVA LH CUP-HEATER UPPER GUARD		
	⇄ 915151030	INTERNAL PANEL SX		
-	915152040	ENOVA RH CUP-HEATER UPPER GUARD		
	⇄ 915152000	INTERNAL PANEL DX		
-	915152040	ENOVA RH CUP-HEATER UPPER GUARD		
	⇄ 915152010	INTERNAL PANEL D		
-	915152040	ENOVA RH CUP-HEATER UPPER GUARD		
	⇄ 915152020	INTERNAL PANEL D		
-	915152040	ENOVA RH CUP-HEATER UPPER GUARD		
	⇄ 915152030	INTERNAL PANEL SX		
-	915158000	DRIP TRAY SPACER DX		
-	915158010	DRIP TRAY SPACER DX		
-	915159000	DRIP TRAY SPACER SX		
-	915159010	DRIP TRAY SPACER SX		
-	915166010	CONTROL PANEL MASK		
	⇄ 915166000	CONTROL PANEL MASK		
-	915181010	FRONT PANEL 2GR		
	⇄ 915181000	FRONT PANEL 2GR		
-	915184010	GR2 FRONTA PROFILE		
	⇄ 915184000	GR2 FRONTA PROFILE		
-	915185010	GR2 VA FRONTAL PROFILE		
	⇄ 915185000	GR2 VA FRONTAL PROFILE		
-	928084007	BACK LOWER PANEL GR2		
	⇄ 915186000	DISPLAY WINDOW GR2 ENOVA		
-	915187000	ENOVA 2GR BACK LOWER PANEL		
-	915187010	ENOVA 2GR BACK LOWER PANEL		
-	915192010	COVERING PLATE (2 GROUPS)		
	⇄ 915192004	COVER PLATE GR2		

Pos	Part Number	Description	Validity	Notes
-	915193020	CUPWARMER FRONTAL PROFILE 2GR		
	⇌ 915193000	CUPWARMER FRONTAL PROFILE 2GR		
-	931211000	NOZZLE OF 1MM INOX		
	⇌ 915197000	NOZZLE OF 1MM NF		
-	915214010	STICKER ENOVA GR2		
	⇌ 915214000	STICKER ENOVA GR 2		
-	915217010	STICKER ENOVA GR3		
	⇌ 915217000	STICKER ENOVA GR 3		
-	915275000	INSULATING PLATE		
-	915276000	CENTRAL INSULATING PLATE		
-	915313010	ENOVA A KEY PAD BLACK		
	⇌ 915313000	ENOVA A KEY PAD BLACK		
-	915314010	ENOVA A KEY PAD C/CAPP. BLACK		
	⇌ 915314000	ENOVA A KEY PAD C/CAPP. BLACK		
-	915315010	ENOVA S KEY PAD BLACK		
	⇌ 915315000	ENOVA S KEY PAD BLACK		
-	915511008	FLOWMETER INLET PIPE GR3 RUV		
-	915512006	FLOWMETER INLET PIPE GR2 NF		
-	915512008	FLOWMETER INLET PIPE GR2 RUV		
-	915513008	HEATING EXCHANGERS CONNECTING TUBE G2RUV		
	⇌ 915513006	HEATING EXCHANGERS CONNECTING TUBE GR2NF		
-	915514008	HEATING EXCHANGERS CONNECT.TUBE GR3 RUV		
	⇌ 915514006	HEATING EXCHANGERS CONNECT.TUBE GR3 NF		
-	915537000	CUPWARMER GR3		
-	915538010	CUP TRAY GR3		
	⇌ 915538000	CUP TRAY GR3		
-	915539030	STEAM TAP		
-	915547000	CUPWARMER GR2		
-	915548010	CUP TRAY GR2		
	⇌ 915548000	CUP TRAY GR2		
-	915549010	MICRO BRACKET		
-	537045900	KIT CUPWARMER GR3 DX 400X425		
	⇌ 915552000	CUPWARMER GR3 DX 400X425		
-	537045900	KIT CUPWARMER GR3 DX 400X425		
	⇌ 915552010	CUPWARMER GR3 DX 400X425		
-	537046000	KIT CUPWARMER GR2/3 SX 400X425		
	⇌ 915553000	CUPWARMER GR2/3 SX 400X425		
-	537046000	KIT CUPWARMER GR2/3 SX 400X425		
	⇌ 915553010	CUPWARMER GR2/3 SX 400X425		
-	537045800	KIT CUPWARMER GR2 DX 400X225		
	⇌ 915554000	CUPWARMER GR2 DX 400X225		
-	537045800	KIT CUPWARMER GR2 DX 400X225		

Pos	Part Number	Description	Validity	Notes
	⇌ 915554010	CUPWARMER GR2 DX 400X225		
-	915739008	LEFT STEAM PIPE NF		
	⇌ 915739006	LEFT STEAM PIPE NF		
-	915740008	RIGHT STEAM PIPE NF GR2		
	⇌ 915740006	RIGHT STEAM PIPE NF		
-	915752008	RIGHT STEAM PIPE NF GR3		
	⇌ 915752006	RIGHT STEAM PIPE NF		
-	915757010	FLOW METER PIPE- HEATING EXCHANGE DX		
-	915801000	RIGHT UPPER PANEL		
-	915801010	RIGHT UPPER PANEL		
-	915801030	RIGHT UPPER PANEL		
-	915802000	LEFT UPPER PANEL		
-	915802010	LEFT UPPER PANEL		
-	915802030	LEFT UPPER PANEL		
-	915803000	SIDE PANEL RIGHT		
-	915803010	SIDE PANEL RIGHT		
-	915804000	PANEL LOW LEFT		
-	915804010	PANEL LOW LEFT		
-	915805000	SIDE PANEL RIGHT		
-	915805010	SIDE PANEL RIGHT		
-	915806000	PANEL LOW LEFT		
-	915806010	PANEL LOW LEFT		
-	915813008	ENOVA 3-GROUP AS/ML BOILER -SOLENOID VAL		
	⇌ 915813006	SERVICE BOILER-EV.TURBOSTEAM PIPE NF		
-	957707000	FILTERHOLDER 1 CUP DIPL. NF		
	⇌ 915924000	FILTERHOLDER 1 CUP DIPL.		
-	915927000	FLOW METER PIPE- HEATING EXCHANGE DX		
-	957770000F	2-WAY (E) NSF FILTER HOLDER		
	⇌ 915941000	FILTERHOLDER 2 CUPS		
-	915987003F	LH GROUP DELIVERY TUBE WITH ADJUSTER - 3		
	⇌ 915987000	DELIVERY PIPE GR3		
-	915987008	DELIVERY PIPE GR3 NF		
	⇌ 915987006	DELIVERY PIPE GR3 NF		
-	915988000	DELIVERY PIPE GR3		
-	915988008	DELIVERY PIPE GR3 NF		
	⇌ 915988006	DELIVERY PIPE GR3 NF		
-	915989003F	RH GROUP DELIVERY TUBE WITH ADJUSTER - 3		
	⇌ 915989000	DELIVERY PIPE		
-	915989008	DELIVERY PIPE NF		
	⇌ 915989006	DELIVERY PIPE NF		
-	915990003F	LH GROUP RETURN TUBE WITH ADJUSTER - 3 G		
	⇌ 915990000	LEFT BACK PIPE		
-	915990008	LEFT BACK PIPE NF		

Pos	Part Number	Description	Validity	Notes
	⇌ 915990006	LEFT BACK PIPE NF		
-	915991000	GROUP RETURN PIPE		
-	915991008	GROUP RETURN PIPE RUV		
	⇌ 915991006	GROUP RETURN PIPE NF		
-	915992003F	RH GROUP RETURN TUBE WITH ADJUSTER - 3 G		
	⇌ 915992000	RIGHT BACK PIPE		
-	915992008	RIGHT BACK PIPE RUV		
	⇌ 915992006	RIGHT BACK PIPE NF		
-	915993010	LH RETURN PIPE 2GR		
	⇌ 915993000	DELIVERY PIPE		
-	915993008	DELIVERY PIPE RUV		
	⇌ 915993006	DELIVERY PIPE NF		
-	915994010	RH DELIVERY PIPE ASSY 2GR		
	⇌ 915994000	DELIVERY PIPE		
-	915994008	DELIVERY PIPE RUV		
	⇌ 915994006	DELIVERY PIPE NF		
-	915995010	LH RETURN PIPE ASSY 2GR		
	⇌ 915995000	LOWER TUBE RIGHT TUBE C/R		
-	915995008	LOWER TUBE RIGHT TUBE C/R RUV		
	⇌ 915995006	LOWER TUBE RIGHT TUBE C/R NF		
-	915996000	LOWER TUBE RIGHT GROUP C/R		
-	915996008	LOWER TUBE RIGHT GROUP C/R RUV		
	⇌ 915996006	LOWER TUBE RIGHT GROUP C/R NF		
-	916406010	MAIN CABLE 3X1,5 L1830		
-	537060300	AUTOSTEAM BOARD SPARE PARTS KIT		
	⇌ 918840008	ELECTRONIC BOARD FOR AUTOMATIC STEAM		
-	957710010	2 WAY FILTERHOLDER ITALY NSF		
	⇌ 918905000	FILTERHOLDER 2 CUPS NSF		
-	952846010	ELECTRONIC BOARD		
	⇌ 918910008	ELECTRONIC BOARD		
-	936960020F	WATER WAND ASSEMBLY W/PLASTIC CAP		
	⇌ 922792000	WATER SPOUT STAIN LESS STEEL		
-	936960020F	WATER WAND ASSEMBLY W/PLASTIC CAP		
	⇌ 922792010	WATER SPOUT STAIN LESS STEEL		
-	923021000	DISPLAY WINDOW GR1 ENOVA		
-	923022010	ENOVA 1GR BACK LOWER PANEL		
-	923027008	NIPPLE 1/4 X 1/2		
	⇌ 923027000	NIPPLE 1/4 X 1/2		
-	923027008	NIPPLE 1/4 X 1/2		
	⇌ 923027006	NIPPLE 1/4 X 1/2 NSF		
-	923052000	ENOVA GR1 KEY PAD WATER		
-	923067008	NIPPLE 1/4X3/8		
	⇌ 923067000	NIPPLE 1/4X3/8		
-	923067008	NIPPLE 1/4X3/8		

Pos	Part Number	Description	Validity	Notes
	⇄ 923067006	NIPPLE 1/4X3/8 NSF		
-	923153011	PROTECTION ENOVA GR1		
-	923165010	ENOVA GR1 KEY PAD WATER BLACK		
	⇄ 923165000	ENOVA GR1 KEY PAD WATER BLACK		
-	923166010	ENOVA GR1 KEY PAD STEAM BLACK		
	⇄ 923166000	ENOVA GR1 KEY PAD STEAM BLACK		
-	923167010	ENOVA GR1 KEY PAD CAPPUCC./AUTOST BLACK		
	⇄ 923167000	ENOVA GR1 KEY PAD CAPPUCC./AUTOST BLACK		
-	537045700	KIT CUPWARMER GR1 400X336		
	⇄ 923502010	CUPWARMER GR1 400X336		
-	923507008	TUBE RUV		
	⇄ 923507006	TUBE NSF		
-	923509010	GROUP DRAINAGE TUBE ASS.		
	⇄ 923509000	WASTE LINE LEFT GROUP		
-	923511008	LOWER TUBE RIGHT TUBE C/R RUV		
	⇄ 923511006	LOWER TUBE RIGHT TUBE C/R NSF		
-	923512008	PRESSURE SWITCH BOILER TUBE WITH RUVECO		
-	923514018	STEAM PIPE GR1 NF		
	⇄ 923514016	STEAM PIPE GR1 NF		
-	923516010	HEATING EXCHANGERS CONNECTING TUBE GR2		
	⇄ 923516000	HEATING EXCHANGERS CONNECTING TUBE GR2		
-	923519008	DELIVERY PIPE RUV		
	⇄ 923519006	DELIVERY PIPE NF		
-	923522020	HEATING ELEMENT 2700 W 220V		
	⇄ 923522010	HEATING ELEMENT 2700 W 220V		
-	923522028	RESISTOR 220V 2700W L=202 NSF WITH RUVEC		
	⇄ 923522016	HEATING ELEMENT 2700 W 220V NSF		
-	911624008	ENOVA 1GR BOILER ASS. W/RUVEC		
	⇄ 923524006	BOILER GR.1 ENOVA		
-	911624008	ENOVA 1GR BOILER ASS. W/RUVEC		
	⇄ 923524013	BOILER GR.1 ENOVA RUVECO		
-	911624008	ENOVA 1GR BOILER ASS. W/RUVEC		
	⇄ 923524016	BOILER GR.1 ENOVA NICHEL NSF		
-	911624008	ENOVA 1GR BOILER ASS. W/RUVEC		
	⇄ 923524018	BOILER GR.1 ENOVA RUVECO		
-	923553006	HEATING ELEMENT 1500 W 120V NSF		
-	923554014	PANEL ENOVA GR1		
-	923555000	FLOWMETER OUTLET PIPE GR1 NF		
-	923557010	HEATING EXCHANGERS CONNECTING TUBE NF		
	⇄ 923557000	HEATING EXCHANGERS CONNECTING TUBE NSF		
-	911624008	ENOVA 1GR BOILER ASS. W/RUVEC		

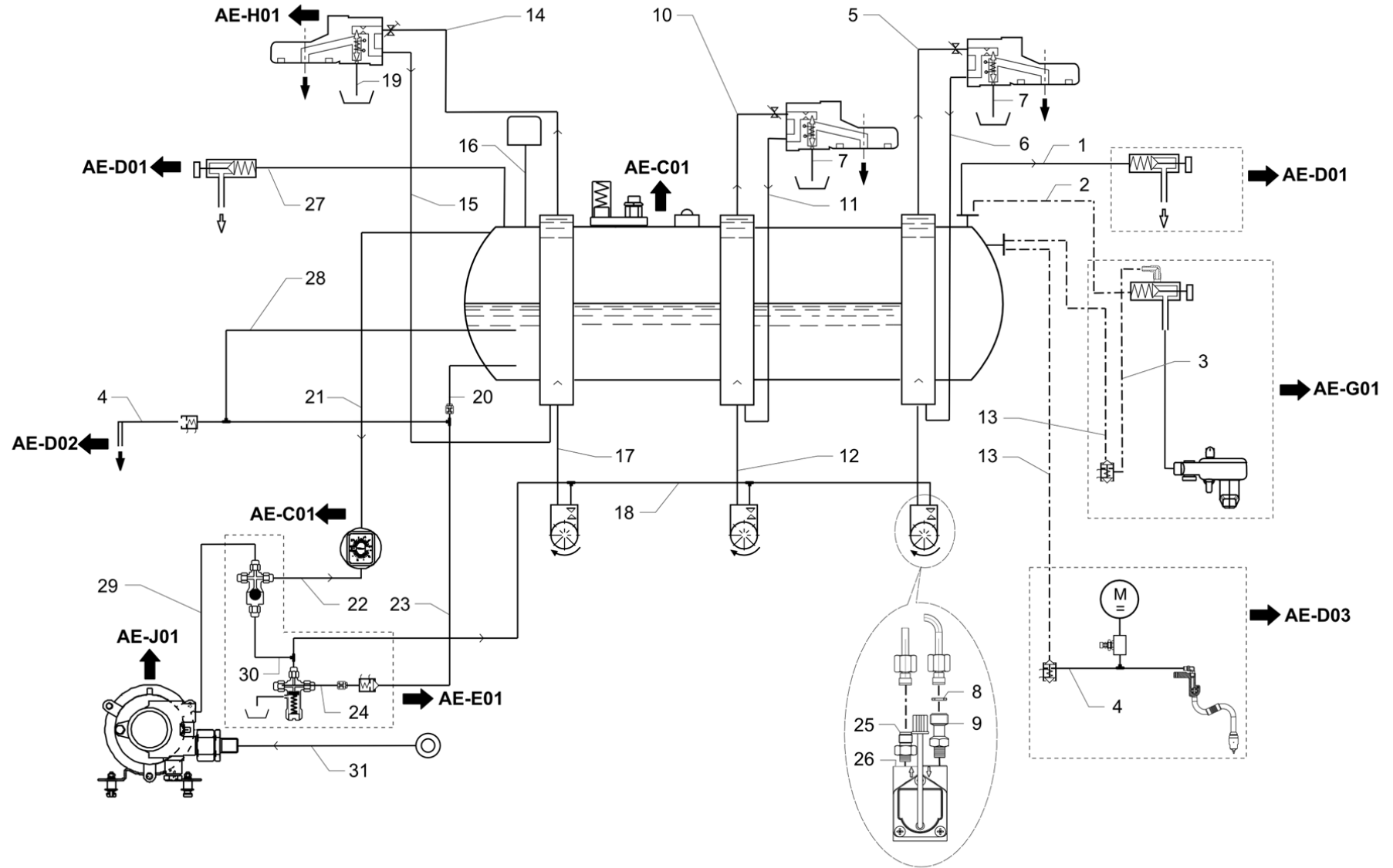
Pos	Part Number	Description	Validity	Notes
	⇌ 923564008	BOILER ASSEMBLY 1 NSF GROUP (WITH RUVECO)		
-	923713018	BASE 1 GR WIRING		
	⇌ 923713008	WIRING POWER BOX ENOVA GR1		
-	923770000	TEE UNION 1/4 NF		
-	923771000	PUSH BUTTON PANEL GR1 ENOVA		
-	923772000	BACK PANEL WITH PLATE 1GR		
-	923773000	MOTOR PUMP 100-120V 60HZ		
-	537060700	BASE BOARD		
	⇌ 923774000	ELECTRONIC BOARD 110-120V		
-	957711010	ONE WAY FILTER NSF		
	⇌ 924928000	ONE SPOUT FILTER NF		
-	925735000	PUSH BUTTON PANEL GR2 ENOVA		
-	925736000	PUSH BUTTON PANEL 3GR ENOVA		
-	925737000	PANEL ENOVA GR2		
-	925738000	PANEL ENOVA GR3		
-	925739000	FRONT PANEL		
-	925740000	FRONT PANEL		
-	925770000	ONE SPOUT FILTER NF		
-	485757020	ST. STEEL STEAM TUBE ASS. BULB 1.5		
	⇌ 925771000	STEAM WAND 1,5mm		
-	925783010	PUMP FILTER		
	⇌ 925783000	PUMP FILTER		
-	927132010	MANIFOLD		
-	930790000	PIN		
-	431793000	STRAIGHT UNION		
	⇌ 932858000	STRAIGHT UNION 1/8 NSF		
-	936960020F	WATER WAND ASSEMBLY W/PLASTIC CAP		
	⇌ 936960010	WATER SPOUT STAIN LESS STEEL		
-	938852000	24 "TURBOSTEAM" COMPRESSOR		
-	952846010	ELECTRONIC BOARD		
	⇌ 952846000	BASE BOARD		
-	957707000	FILTERHOLDER 1 CUP DIPL. NF		
-	957769010F	1-WAY (E) FILTER-HOLDER ASSY		
	⇌ 957707010	1 WAY FILTERHOLDER (FOREIGN) NSF RIGHT S		
-	957770000F	2-WAY (E) NSF FILTER HOLDER		
	⇌ 957708000	FILTERHOLDER 2 CUPS NF		
-	957770000F	2-WAY (E) NSF FILTER HOLDER		
	⇌ 957708010	TWO WAY FILTER (E) NSF		
-	957710010	2 WAY FILTERHOLDER ITALY NSF		
	⇌ 957710000	FILTERHOLDER 2 CUPS NSF		
-	957711010	ONE WAY FILTER NSF		
	⇌ 957711000	ONE SPOUT FILTER NF		
-	957711010	ONE WAY FILTER NSF		
-	957712000	ONE SPOUT FILTER NF		

Pos	Part Number	Description	Validity	Notes
-	966492000	SAFETY VALVE PROTECTION		
	⇄ 958219000	SAFETY VALVE PROTECTION		
-	485756020	ST. STEEL STEAM WAND MM2		
	⇄ 985701000	STEAM WAND 2 MM		
-	985709010	CR STEAM TUBE FORMATION		
	⇄ 985709000	STEAM WAND		
-	985716020F	M22X1 JET BREAKER		
	⇄ 985716000	JET BREAKER M22X1 NF		
-	990028006	SPOUT HOLE CLOSING PLUG NF		
-	457431008F	FAEMA DISPENSER GROUP W/ADJ W/NSF DISP D		
	⇄ 990029006	DELIVERY GROUP BODY		
-	990030006	DISC FOR GROUP NF		
-	990031006	SPOUT COVER NF		
-	990049000	SPOUT DOUBLE SHORT NF		
-	990152000	RESTRICTOR FOR DELIVERY TUBE Ø2.5 STAINL		
-	990154000	RESTRICTOR FOR DELIVERY TUBE Ø3 STAINLES		
-	990157008	THERMAL ADJ. SCREW W/RUVECO		
-	911596000	INJECTOR		
	⇄ 990507000	INJECTOR NF		
-	990993000	SHUTTER W/CONSTRICTION AND RUVECO FILTER		
-	985716020F	M22X1 JET BREAKER		
	⇄ 2151134616	JET BREAKER M22X1		
-	985717000	WATER WAND		
	⇄ 2221134619	WATER WAND		
-	457894020	COMPLETE 2 WAY SPOUT		
	⇄ 2251091807	DOUBLE SPOUT (I)		
-	457895020	SPOUT DOUBLE SHORT		
	⇄ 2251091808	SPOUT DOUBLE SHORT		
-	531492400	CAPACITOR 10MF		
	⇄ 2341119567	CONDENSER 10MF		
-	925783010	PUMP FILTER		
	⇄ 2771117583	PUMP FILTER		
-	457889070	1-WAY (I) FILTER-HOLDER ASSY		
	⇄ 2771133836	FILTERHOLDER DIPL. ITALY		
-	457888070	2-WAY (I) FILTER-HOLDER ASSY		
	⇄ 2771133837	FILTERHOLDER 2 CUPS ITALY DIPL.		
-	457887070	1-WAY (E) FILTER-HOLDER ASSY		
	⇄ 2771133838	FILTERHOLDER 1 CUP DIPL. FOREIGN		
-	457886070	2-WAY (E) FILTER-HOLDER ASSY		
	⇄ 2771133839	FILTERHOLDER 2 CUPS FOREIGN DIPL.		
-	2851135194	RING		
-	2951135122	EXTENSION CAPPUCCINO RUBBER PLATED		
-	990888000	BIPOLAR LIGHTING SWITCH		

Pos	Part Number	Description	Validity	Notes
	⇌ 3302134423	SWITCH E97		
-	4004041042	SCREW M6X12		
-	4031052283	NUT M4		
-	594537010	BLIND NIPPLE 1/4 GAS ST. STEEL		
	⇌ 4141107244	FEELER ATTACHMENT PLUG		
-	457343000	PLUG		
	⇌ 4141119227	PLUG		
-	457344000	PLUG		
	⇌ 4141119228	PLUG		
-	593060020	PLUG NUT 1/8"		
	⇌ 4141132638	PLUG NUT 1/8"		
-	990152000	RESTRICTOR FOR DELIVERY TUBE Ø2.5 STAINL		
	⇌ 4151118862	REDUCER FOR GROUP PIPE 2,5MM		
-	485327000	VAPORISER TERMINAL DIAMETER 1.5		
	⇌ 4151133429	STEAM NOZZLE		
-	990154000	RESTRICTOR FOR DELIVERY TUBE Ø3 STAINLES		
	⇌ 4151133928	REDUCER 3MM		
-	485328000	VAPORISER TERMINAL DIAMETER 2		
	⇌ 4151134031	STEAM NOZZLE		
-	532741400	KNOB M4		
	⇌ 4161133393	NUT		
-	457342000	WATER DISTRIBUTER GROUP IN BRASS		
	⇌ 4161133848	WATER DISTRIBUTER GROUP IN BRASS		
-	4701030708	O-RING 4,20X1,90		
-	402206000	GASKET		
	⇌ 4701114266	GASKET		
-	402291000	OR 5.7 x 1.9 NBR 70 NSF		
	⇌ 4701117916	GASKET		
-	402320000F	21X15X2 NSF SEAL		
	⇌ 4701134698	GASKET		
-	457874000	SPRING FOR LOCKING THE COFFEE FILTER		
	⇌ 4731112143	SPRING FOR FILTERHOLDER		
-	457367000	1-CUP FILTER LOW		
	⇌ 4771014418	1-CUP FILTER LOW		
-	457368000	COFFEE FILTER 1 CUP		
	⇌ 4771021830	COFFEE FILTER 1 CUP		
-	800021902	SHOWER WASCHER BLIND FILTER		
	⇌ 4771021902	BLINDFILTER		
-	457369000	2-CUP FILTER		
	⇌ 4771021994	2-CUP FILTER		
-	532305000	FILTER		
	⇌ 4771134699	FILTER		
-	930067000	TAP VALVE BASE NF		
	⇌ 4811134603	TAP VALVE BASE		

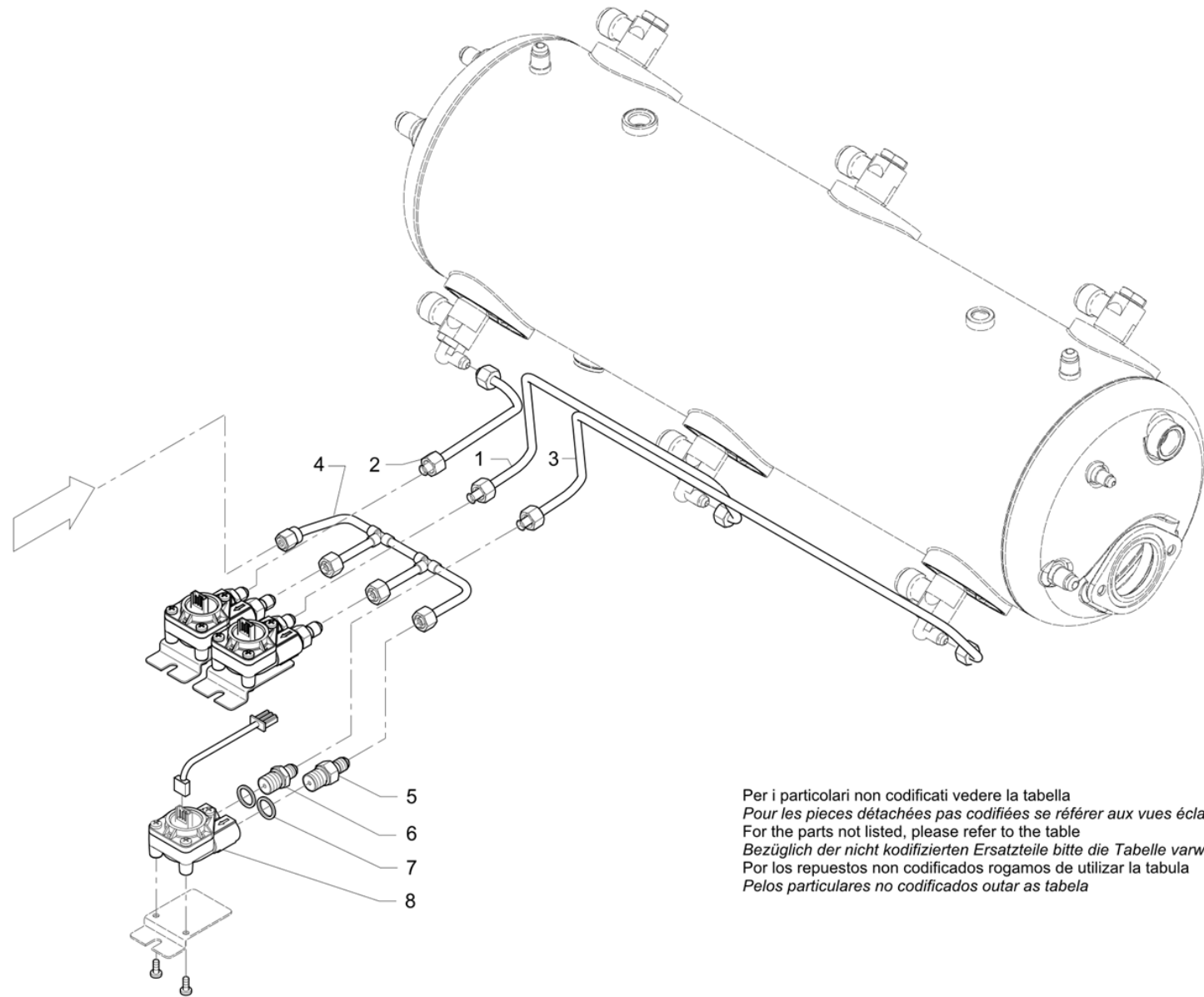
Pos	Part Number	Description	Validity	Notes
-	457341008	DISC FOR GROUP		
	⇌ 4821133847	DISC FOR GROUP		
-	457358017	1 WAY SPOUT		
	⇌ 4822130117	SPOUT 1 CUP FOREIGN		
-	457430008F	FAEMA DISPENSER GROUP W/ADJ W/RUV DISP D		
	⇌ 4822135785	DISPENSER GROUP BODY		
-	532504500R	CROWN 1600-6-1/8 ADJ. NIPPLE W/RUVECO		
-	533894600R	SOLENOID VALVE		
	⇌ 533795610R	SOLENOID VALVE		
-	533904800F	VITON 1/8" 220/240 V 50/60 Hz EV 2 VIE N		
	⇌ 533798310R	SOLENOID VALVE U.L.		
-	533902200	SOL.VALV. 3-2 NC VITON PARKER 1/4" G UL		
	⇌ 533896000R	SOLENOID VALVE 3G D.3 1/4 208-240/60UL		
-	555000110R	PIPE UNION		
-	531197600	SAFETY THERMOSTAT		
-	419077010	DRAIN TAP DISC		
-	419088000	DISC. DRAIN TAP		
-	419947000	BOILER DRAIN ASS. - STRAIGHT 1/8		
-	402328000F	RESISTOR FLANGE GASKET		
-	534393400F	VOLUMETRIC COUNTER		
-	402329000F	COPPER GASKET 16 X 10 X 1.5		
-	958366000F	NIPPLE 1/8 X 1/8		
-	958365000F	NIPPLE 1/8 X 1/8" H=10.		
-	533904800F	VITON 1/8" 220/240 V 50/60 Hz EV 2 VIE N		
-	533904900F	VITON 1/8" 208/240 V 60 Hz EV 2 VIE NC		
-	457355027	FILTER-HOLDER BODY		
-	457395017F	FILTER-HOLDER BODY NSF		
-	457430008F	FAEMA DISPENSER GROUP W/ADJ W/RUV DISP D		
-	457431008F	FAEMA DISPENSER GROUP W/ADJ W/NSF DISP D		
-	457886070	2-WAY (E) FILTER-HOLDER ASSY		
	⇌ 457886060	ASS. PORTAFILTRO 2 VIE (E)		
-	457887070	1-WAY (E) FILTER-HOLDER ASSY		
	⇌ 457887060	ASS. PORTAFILTRO 1 VIA (E)		
-	457888070	2-WAY (I) FILTER-HOLDER ASSY		
-	457889070	1-WAY (I) FILTER-HOLDER ASSY		
-	937108000F	JET NOZZLE Ø 0.8		
-	947216000F	JET NOZZLE Ø 0.5		
-	957769010F	1-WAY (E) FILTER-HOLDER ASSY		
-	957770010F	2-WAY (E) FILTER-HOLDER ASSY		
-	457886070	2-WAY (E) FILTER-HOLDER ASSY		
-	457887070	1-WAY (E) FILTER-HOLDER ASSY		
-	533905000F	SOLENOID VALVE 2-WAY NC 200V VITON 1/8"		

Pos	Part Number	Description	Validity	Notes
-	957705030	2-WAY FILTER-HOLDER FORM. JPN		
-	537033110	NEW MILK FROTHER		
-	537036820	BY-P CONFIGURATION		
-	485200038	COVER FOR STEAM TUBE CONFIGURATION		
-	537060300	AUTOSTEAM BOARD SPARE PARTS KIT		
-	537060700	BASE BOARD		
-	915987010	LH DELIVERY PIPE 3GR		
-	915988010	CENTRAL DELIVERY PIPE 3GR		
-	915989010	RH DELIVERY PIPE 3GR		
-	915990010	LH RETURN PIPE 3GR		
-	915991010	CENTRAL RETURN PIPE 3GR		
-	915992010	RH RETURN PIPE 3GR		
-	915993010	LH RETURN PIPE 2GR		
-	915994010	RH DELIVERY PIPE ASSY 2GR		
-	915995010	LH RETURN PIPE ASSY 2GR		
-	915996010	RH RETURN PIPE ASSY 2GR		
-	957706030	1-WAY FILTER-HOLDER - JAPAN		
-	985611000	STEAM WAND W/OUT BULB		



Pos	Part Number	Description	Validity	Notes
1	915740000	RIGHT STEAM PIPE GR2		
1	915740008	RIGHT STEAM PIPE NF GR2	N:NSF	
1	915752000	RIGHT STEAM PIPE GR3		
1	915752008	RIGHT STEAM PIPE NF GR3	N:NSF	
2	915970000	STEAM PIPE GR3		
2	915970006	STEAM PIPE GR3 NF	N:NSF	
2	915971000	BOILER-STEAM TAP RIGHT PIPE		
2	915971006	BOILER-STEAM TAP RIGHT PIPE NF	N:NSF	
3	220000016	SILICONE PIPE D 6X10		
4	220000022	RISLAN PIPE 4X6		
5	915989008	DELIVERY PIPE NF	N:NSF	
5	915989003F	RH GROUP DELIVERY TUBE WITH ADJUSTER - 3		
6	915992008	RIGHT BACK PIPE RUV	N:NSF	
6	915992003F	RH GROUP RETURN TUBE WITH ADJUSTER - 3 G		
7	915715000	WASTE LINE RIGHT GROUP		
8	401235020	GASKET 11X6,5X1,5		
9	590600018	NIPPLES FLOWMETER		
10	915988008	DELIVERY PIPE GR3 NF	N:NSF	
10	915994008	DELIVERY PIPE RUV	N:NSF	
10	915988003F	CENTRAL GROUP DELIVERY TUBE WITH ADJUSTE		
10	915994010	RH DELIVERY PIPE ASSY 2GR		
	⇒ 915994003F	RH GROUP DELIVERY TUBE WITH ADJUSTER - 2		
11	915991008	GROUP RETURN PIPE RUV	N:NSF	
11	915996008	LOWER TUBE RIGHT GROUP C/R RUV	N:NSF	
11	915991010	CENTRAL RETURN PIPE 3GR		
	⇒ 915991003F	CENTRAL GROUP RETURN TUBE WITH ADJUSTER		
11	915996003F	RH GROUP RETURN TUBE WITH ADJUSTER - 2 G		
12	915749010	FLOWMETER OUTLET PIPE		
12	915926000	FLOWMETER OUTLET PIPE NF	N:NSF	
13	915813000	SERVICE BOILER-EV.TURBOSTEAM PIPE GR3		
13	915813008	ENOVA 3-GROUP AS/ML BOILER -SOLENOID VAL	N:NSF	
13	915818010	BOILER PIPE		
13	915818016	BOILER PIPE NF	N:NSF	
14	915987008	DELIVERY PIPE GR3 NF	N:NSF	
14	915993008	DELIVERY PIPE RUV	N:NSF	
14	915987003F	LH GROUP DELIVERY TUBE WITH ADJUSTER - 3		
14	915993010	LH RETURN PIPE 2GR		
	⇒ 915993003F	LH GROUP DELIVERY TUBE WITH ADJUSTER - 2		
15	915990008	LEFT BACK PIPE NF	N:NSF	
15	915995008	LOWER TUBE RIGHT TUBE C/R RUV	N:NSF	

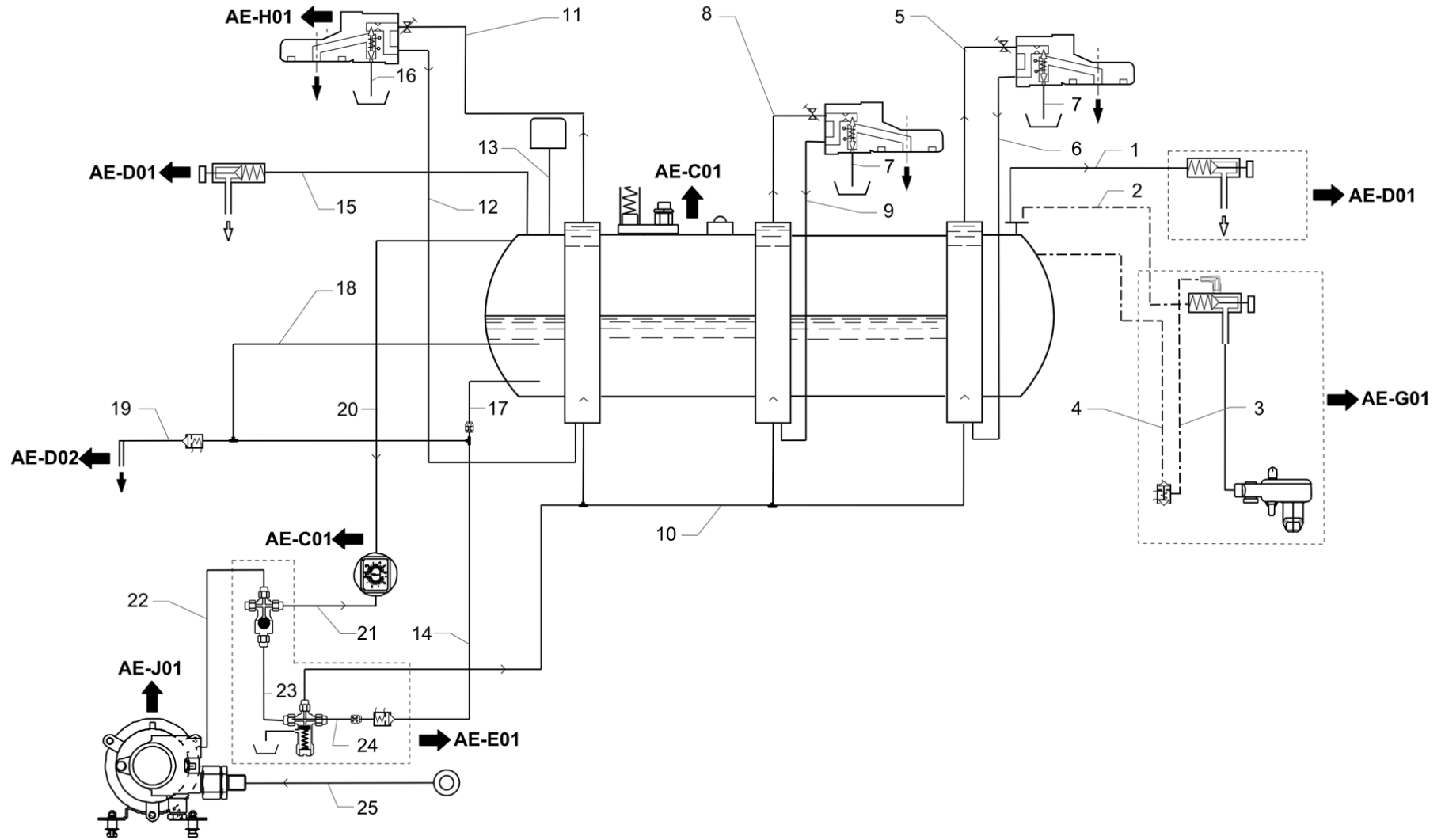
Pos	Part Number	Description	Validity	Notes
15	915990003F	LH GROUP RETURN TUBE WITH ADJUSTER - 3 G		
15	915995010	LH RETURN PIPE ASSY 2GR		
	≠ 915995003F	LH GROUP RETURN TUBE WITH ADJUSTER - 2 G		
16	915750000	BOILER-PRESSURESTAT TUBE		
16	915754000	BOILER-PRESSURESTAT PIPE GR3		
17	915748010	LEFT FLOWMETER OUTLET PIPE		
17	915925000	LEFT FLOWMETER OUTLET PIPE NF	N:NSF	
18	915511000	FLOWMETER INLET PIPE GR3		
18	915512000	FLOWMETER INLET PIPE GR2		
19	915713000	WASTE LINE LEFT GROUP		
20	915741000	FILL-IN BOILER PIPE		
20	915928000	FILL-IN BOILER PIPE NF	N:NSF	
21	915747000	BOILER PIPE-GAUGE		
22	3951133673	TUBE FOR GAUGE		
23	915727000	TUBE FILL SOLENOID VALVE/BOILER		
23	925730000	TUBE FILL SOLENOID VALVE/BOILER NF	N:NSF	
24	915731000	TUBE FILL SOLENOID VALVE/BOILER		
24	915930000	TUBE FILL SOLENOID VALVE/BOILER NF	N:NSF	
25	532501500R	STRAIGHT PIPE		
26	534393100	FLOWMETER WITH ADAPTOR		
27	915739000	LEFT STEAM PIPE		
27	915739008	LEFT STEAM PIPE NF	N:NSF	
28	915742000	BOILER OUTLET PIPE		
28	915931000	BOILER OUTLET PIPE NF	N:NSF	
29	922802000	VALVE BLOCK-PUMP TUBE NF	N:NSF	
29	2951136531	VALVE BLOCK-PUMP TUBE		
30	915730000	TUBE		
30	915929000	TUBE	N:NSF	
31	532304300	PIPE 3/8 NF	N:NSF	
31	3951130515	PIPE 3/8X 3/8 120øMM 2200		



Per i particolari non codificati vedere la tabella
 Pour les pièces détachées pas codifiées se référer aux vues éclatées
 For the parts not listed, please refer to the table
 Bezüglich der nicht kodifizierten Ersatzteile bitte die Tabelle verwenden
 Por los repuestos no codificados rogamos de utilizar la tabula
 Pelos particulares no codificados outar as tabela

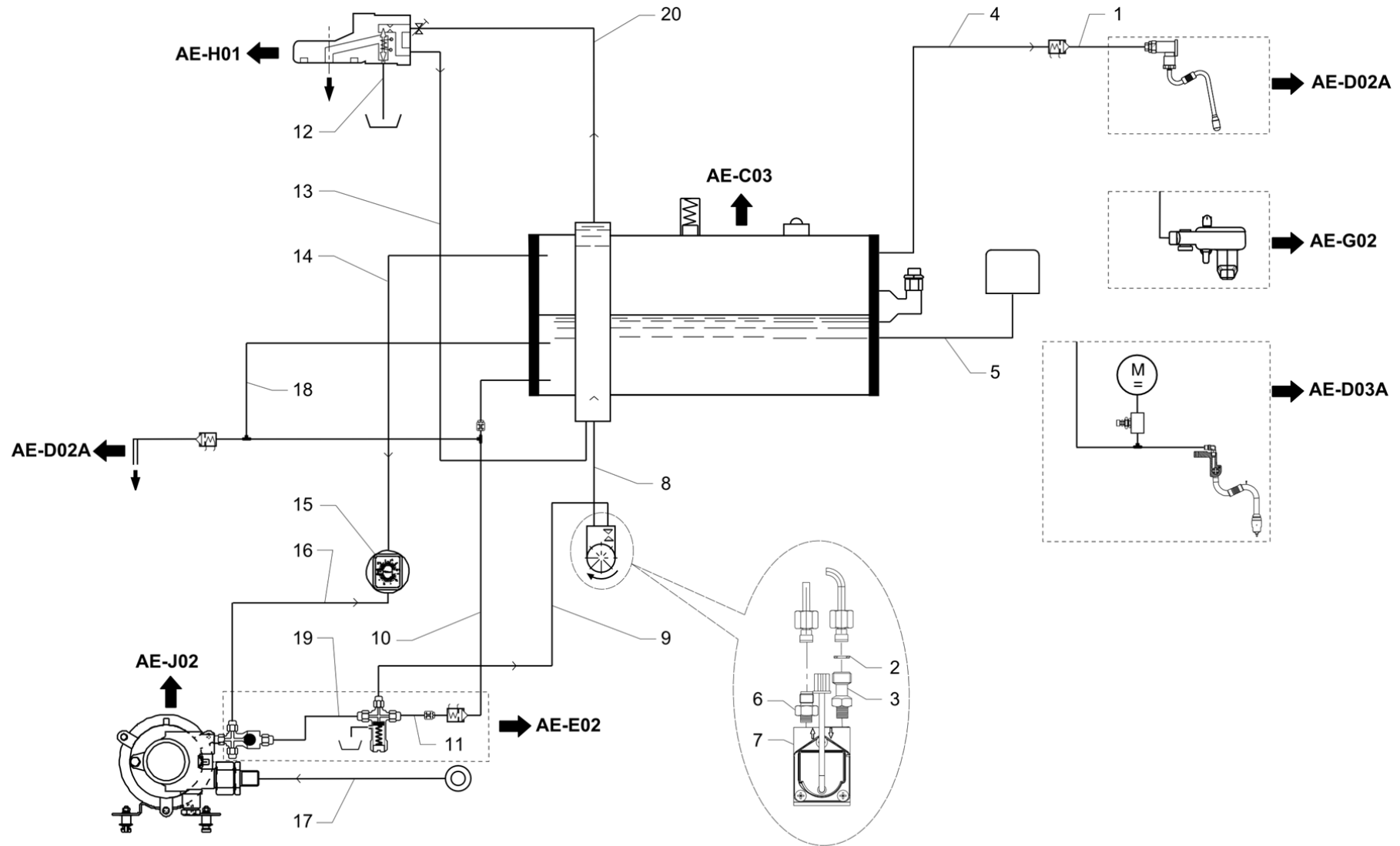
➔ AE-A01

Pos	Part Number	Description	Validity	Notes
1	925506000	MIDDLE GROUP/FLOWMETER PIPE		
2	925504000	LEFT GROUP/FLOWMETER PIPE		
3	925505000	RIGHT GROUP/FLOWMETER PIPE		
4	925501000	FLOWMETER MANIFOLD 2 GR		
4	925502000	FLOWMETER MANIFOLD 2GR NSF	N:NSF	
4	925500000	FLOWMETER MANIFOLD 3 GR		
4	925503000	FLOWMETER MANIFOLD 3 GR NSF	N:NSF	
5	952011000	NIPPLE 1/4 X 1/8"		
6	958133020	NIPPLE 1/4 X 1/8		
7	402302000	GASKET 17X13,2X1X5		
8	534393100	FLOWMETER WITH ADAPTOR		

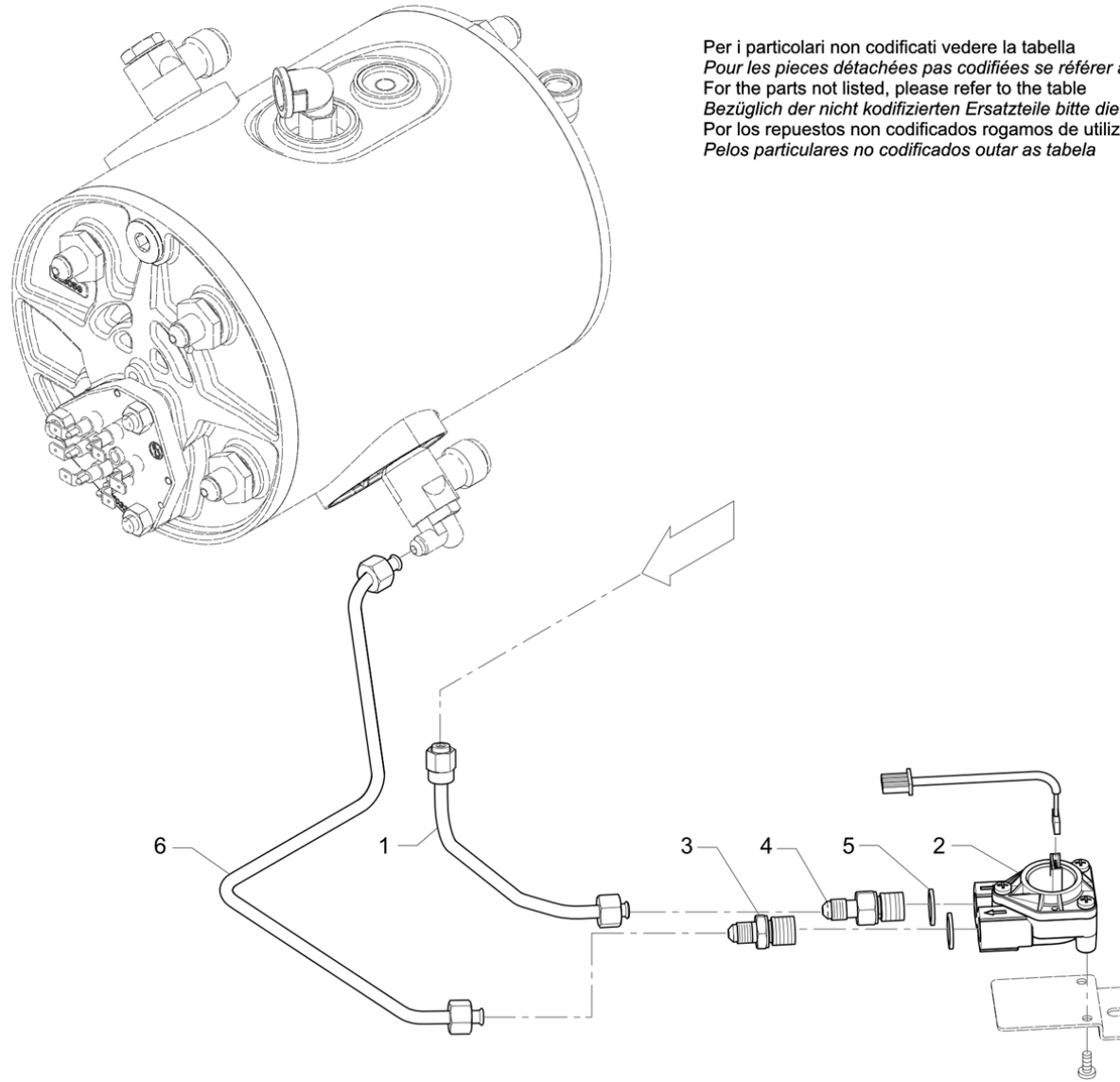


Pos	Part Number	Description	Validity	Notes
1	915740000	RIGHT STEAM PIPE GR2		
1	915740008	RIGHT STEAM PIPE NF GR2	N:NSF	
1	915752000	RIGHT STEAM PIPE GR3		
1	915752008	RIGHT STEAM PIPE NF GR3	N:NSF	
2	915970000	STEAM PIPE GR3		
2	915970006	STEAM PIPE GR3 NF	N:NSF	
2	915971000	BOILER-STEAM TAP RIGHT PIPE		
2	915971006	BOILER-STEAM TAP RIGHT PIPE NF	N:NSF	
3	220000016	SILICONE PIPE D 6X10		
4	915813000	SERVICE BOILER-EV.TURBOSTEAM PIPE GR3		
4	915813008	ENOVA 3-GROUP AS/ML BOILER -SOLENOID VAL	N:NSF	
4	915818010	BOILER PIPE		
4	915818016	BOILER PIPE NF	N:NSF	
5	915989008	DELIVERY PIPE NF	N:NSF	
5	915989003F	RH GROUP DELIVERY TUBE WITH ADJUSTER - 3		
6	915992008	RIGHT BACK PIPE RUV	N:NSF	
6	915992003F	RH GROUP RETURN TUBE WITH ADJUSTER - 3 G		
7	915715000	WASTE LINE RIGHT GROUP		
8	915988008	DELIVERY PIPE GR3 NF	N:NSF	
8	915994008	DELIVERY PIPE RUV	N:NSF	
8	915988003F	CENTRAL GROUP DELIVERY TUBE WITH ADJUSTE		
8	915994010	RH DELIVERY PIPE ASSY 2GR		
	⇒ 915994003F	RH GROUP DELIVERY TUBE WITH ADJUSTER - 2		
9	915991008	GROUP RETURN PIPE RUV	N:NSF	
9	915996008	LOWER TUBE RIGHT GROUP C/R RUV	N:NSF	
9	915991010	CENTRAL RETURN PIPE 3GR		
	⇒ 915991003F	CENTRAL GROUP RETURN TUBE WITH ADJUSTER		
9	915996003F	RH GROUP RETURN TUBE WITH ADJUSTER - 2 G		
10	915513000	HEATING EXCHANGERS CONNECTING TUBE GR2		
10	915513008	HEATING EXCHANGERS CONNECTING TUBE G2RUV	N:NSF	
10	915514000	HEATING EXCHANGERS CONNECTING TUBE GR3		
10	915514008	HEATING EXCHANGERS CONNECT.TUBE GR3 RUV	N:NSF	
11	915987008	DELIVERY PIPE GR3 NF	N:NSF	
11	915993008	DELIVERY PIPE RUV	N:NSF,T:11	
11	915987003F	LH GROUP DELIVERY TUBE WITH ADJUSTER - 3		
11	915993010	LH RETURN PIPE 2GR		
	⇒ 915993003F	LH GROUP DELIVERY TUBE WITH ADJUSTER - 2		
12	915990008	LEFT BACK PIPE NF	N:NSF	

Pos	Part Number	Description	Validity	Notes
12	915995008	LOWER TUBE RIGHT TUBE C/R RUV	N:NSF	
12	915990003F	LH GROUP RETURN TUBE WITH ADJUSTER - 3 G		
12	915995010	LH RETURN PIPE ASSY 2GR		
	⇒ 915995003F	LH GROUP RETURN TUBE WITH ADJUSTER - 2 G		
13	915750000	BOILER-PRESSURESTAT TUBE		
13	915754000	BOILER-PRESSURESTAT PIPE GR3		
14	915727000	TUBE FILL SOLENOID VALVE/BOILER		
14	925730000	TUBE FILL SOLENOID VALVE/BOILER NF	N:NSF	
15	915739000	LEFT STEAM PIPE		
15	915739008	LEFT STEAM PIPE NF	N:NSF	
16	915713000	WASTE LINE LEFT GROUP		
17	915741000	FILL-IN BOILER PIPE		
17	915928000	FILL-IN BOILER PIPE NF	N:NSF	
18	915742000	BOILER OUTLET PIPE		
18	915931000	BOILER OUTLET PIPE NF	N:NSF	
19	220000022	RISLAN PIPE 4X6		
20	915747000	BOILER PIPE-GAUGE		
21	3951133673	TUBE FOR GAUGE		
22	922802000	VALVE BLOCK-PUMP TUBE NF	N:NSF	
22	2951136531	VALVE BLOCK-PUMP TUBE		
23	915730000	TUBE		
23	915929000	TUBE	N:NSF	
24	915731000	TUBE FILL SOLENOID VALVE/BOILER		
24	915930000	TUBE FILL SOLENOID VALVE/BOILER NF	N:NSF	
25	532304300	PIPE 3/8 NF	N:NSF	
25	3951130515	PIPE 3/8X 3/8 120øMM 2200		



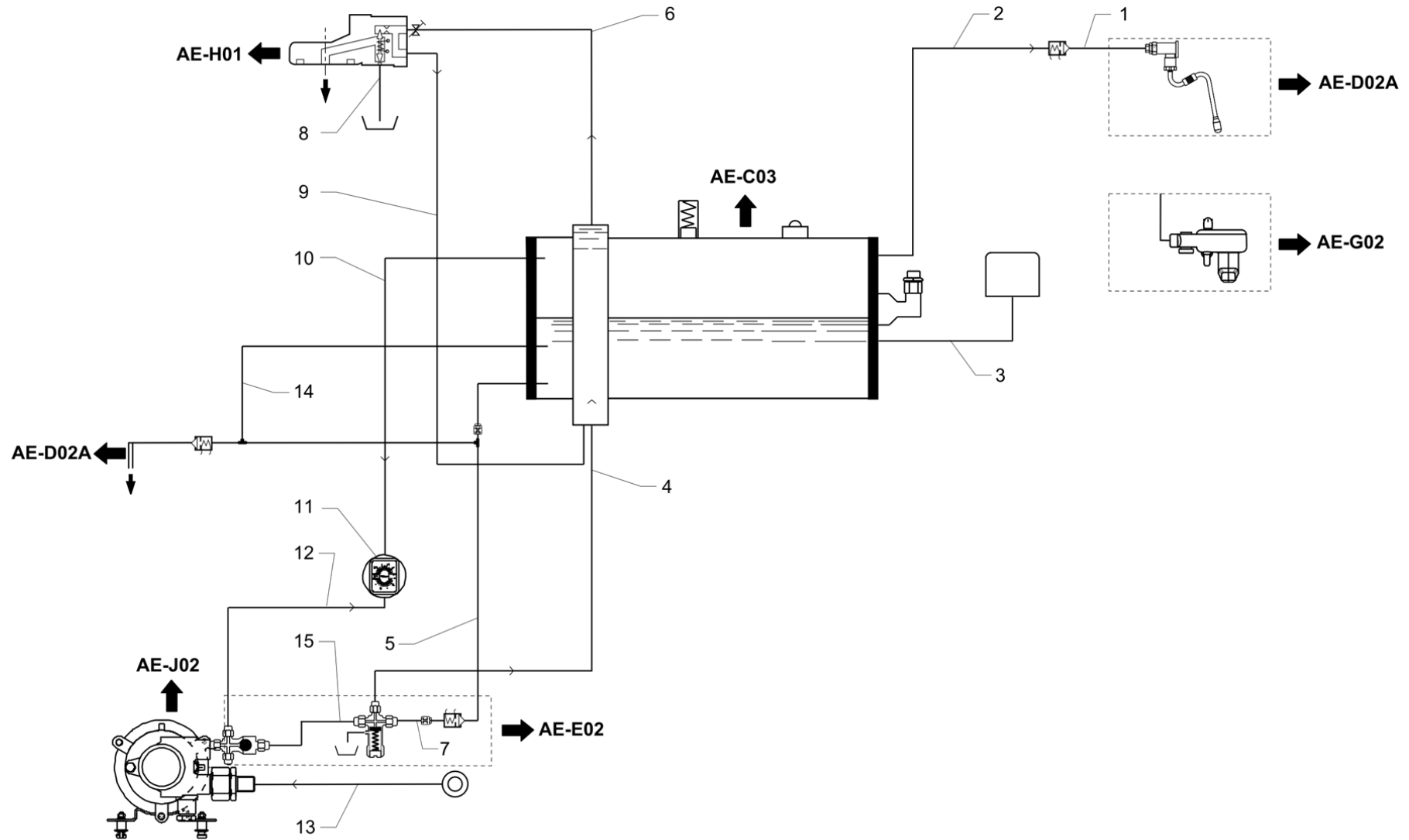
Pos	Part Number	Description	Validity	Notes
1	220000022	RISLAN PIPE 4X6		
2	401235020	GASKET 11X6,5X1,5		
3	590600018	NIPPLES FLOWMETER		
4	923514010	RIGHT STEAM PIPE		
4	923514018	STEAM PIPE GR1 NF	N:NSF	
5	923512000	BOILER-PRESSURESTAT TUBE		
6	532501500R	STRAIGHT PIPE		
7	534393100	FLOWMETER WITH ADAPTOR		
8	923508000	LEFT FLOWMETER OUTLET PIPE		
9	923507000	TUBE		
9	923507008	TUBE RUV	N:NSF	
10	923517010	FILL-IN BOILER PIPE		
10	923558000	FILL-IN BOILER PIPE NF		
11	923515000	TUBE FILL SOLENOID VALVE/BOILER		
11	923556000	TUBE FILL SOLENOID VALVE/BOILER NF	N:NSF	
12	923509010	GROUP DRAINAGE TUBE ASS.		
13	923511000	LOWER TUBE RIGHT TUBE C/R		
13	923511008	LOWER TUBE RIGHT TUBE C/R RUV	N:NSF	
14	923513000	BOILER PIPE-GAUGE		
15	3781133765	GAUGE DOUBLE DUE E97		
16	3951133673	TUBE FOR GAUGE		
17	3951130515	PIPE 3/8X 3/8 120øMM 2200		
17	532304300	PIPE 3/8 NF	N:NSF	
18	923520000	BOILER OUTLET PIPE		
18	923559000	BOILER OUTLET PIPE NF	N:NSF	
19	532302200	GRATING PIPE 1/8 MM 220		
20	923519000	DELIVERY PIPE		
20	923519008	DELIVERY PIPE RUV	N:NSF	



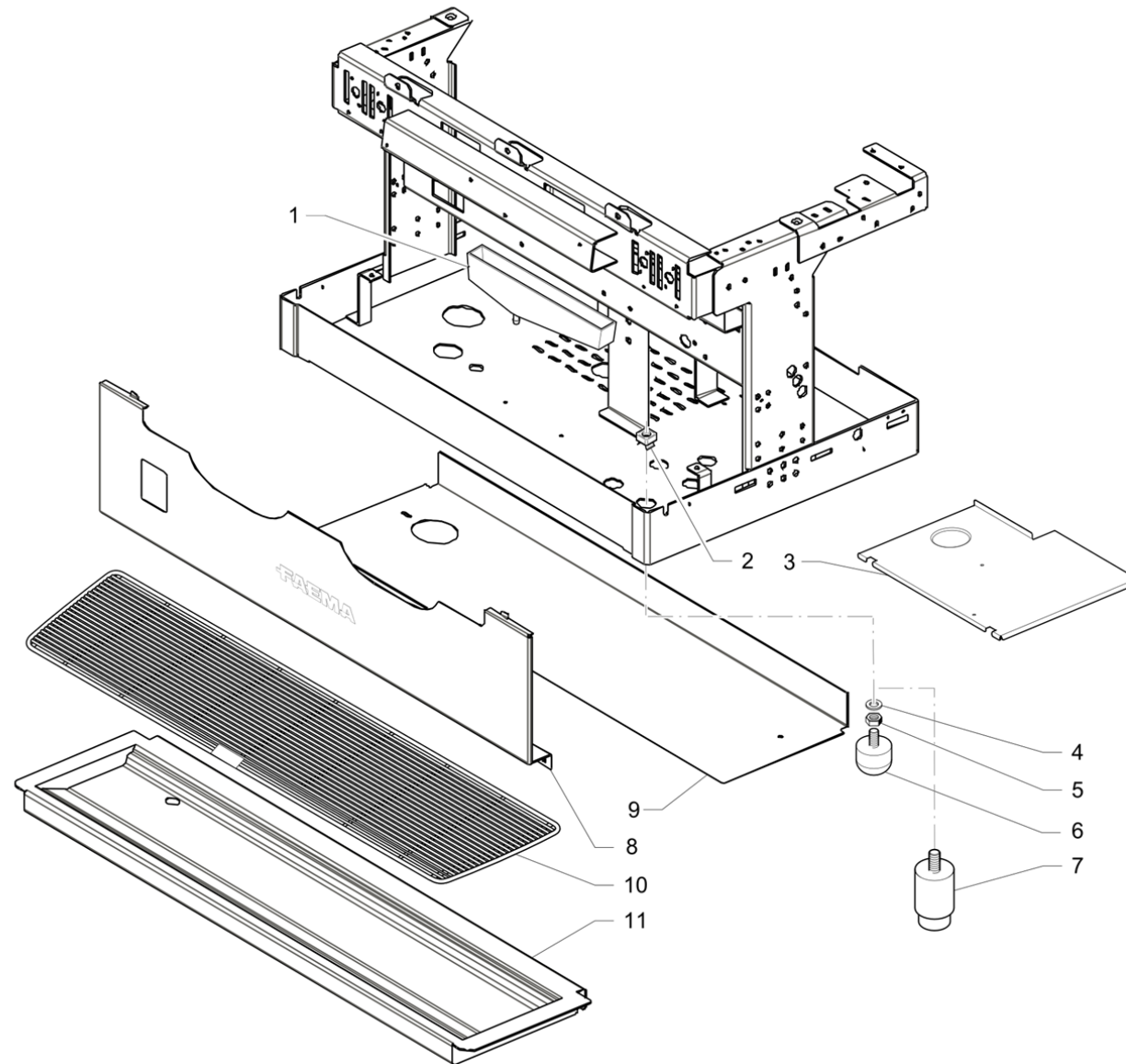
Per i particolari non codificati vedere la tabella
 Pour les pièces détachées pas codifiées se référer aux vues éclatées
 For the parts not listed, please refer to the table
 Bezüglich der nicht kodifizierten Ersatzteile bitte die Tabelle verwenden
 Por los repuestos non codificados rogamos de utilizar la tabula
 Pelos particulares no codificados outar as tabela

➔ **AE-A03**

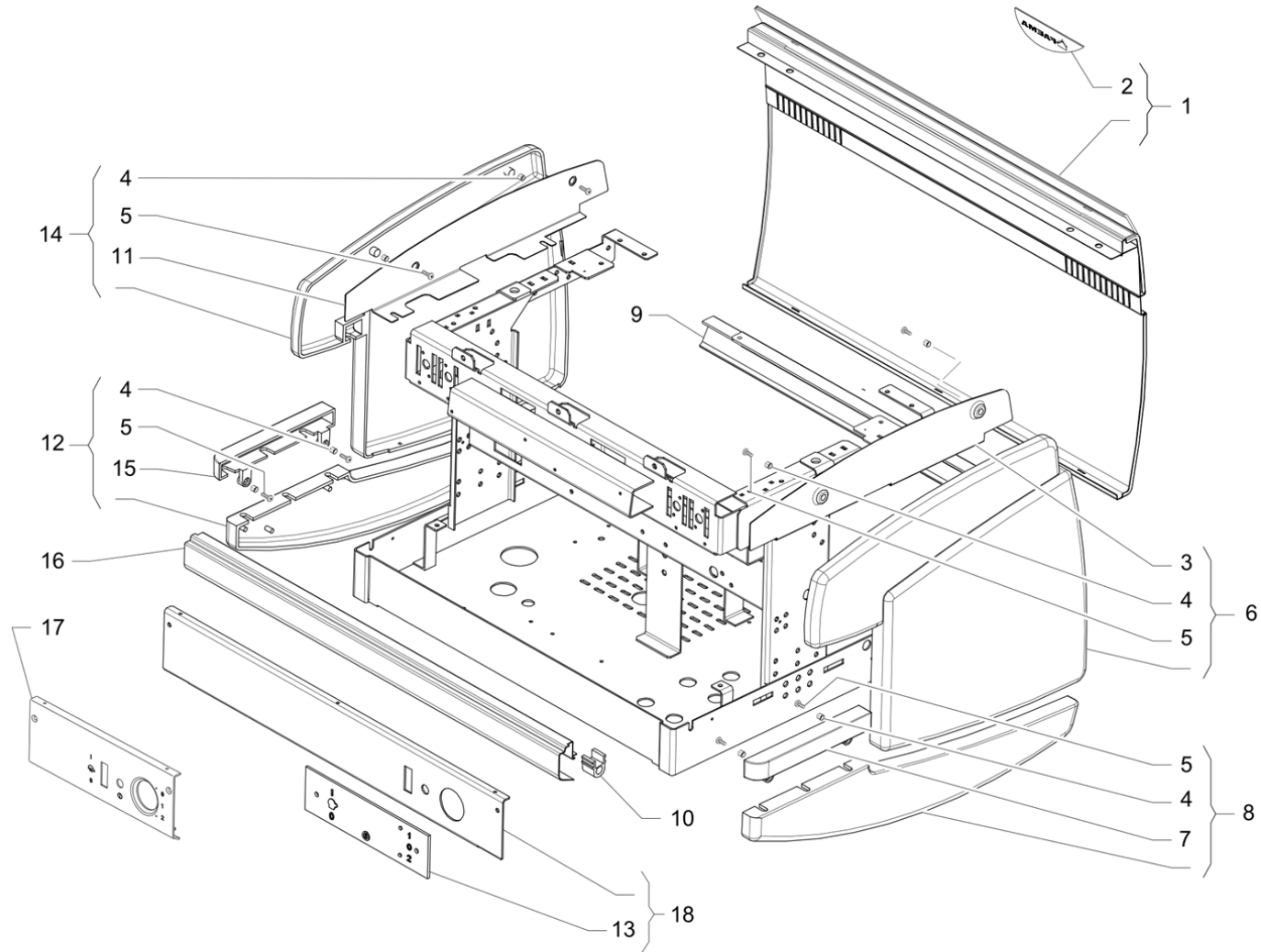
Pos	Part Number	Description	Validity	Notes
1	923569000	PIPE EXPANSION VALVE/ FLOWMETER		
1	923570000	PIPE EXPANSION VALVE/ FLOWMETER	N:NSF	
2	534393100	FLOWMETER WITH ADAPTOR		
3	958133020	NIPPLE 1/4 X 1/8		
4	952011000	NIPPLE 1/4 X 1/8"		
5	402302000	GASKET 17X13,2X1X5		
6	923568000	FLOWMETER PIPE		



Pos	Part Number	Description	Validity	Notes
1	220000022	RISLAN PIPE 4X6		
2	923514010	RIGHT STEAM PIPE		
2	923514018	STEAM PIPE GR1 NF	N:NSF	
3	923512000	BOILER-PRESSURESTAT TUBE		
4	923516010	HEATING EXCHANGERS CONNECTING TUBE GR2		
4	923557010	HEATING EXCHANGERS CONNECTING TUBE NF	N:NSF	
5	923517010	FILL-IN BOILER PIPE		
5	923558000	FILL-IN BOILER PIPE NF	N:NSF	
6	923519000	DELIVERY PIPE		
6	923519008	DELIVERY PIPE RUV	N:NSF	
7	923515000	TUBE FILL SOLENOID VALVE/BOILER		
7	923556000	TUBE FILL SOLENOID VALVE/BOILER NF	N:NSF	
8	923509010	GROUP DRAINAGE TUBE ASS.		
9	923511000	LOWER TUBE RIGHT TUBE C/R		
9	923511008	LOWER TUBE RIGHT TUBE C/R RUV	N:NSF	
10	923513000	BOILER PIPE-GAUGE		
11	3781133765	GAUGE DOUBLE DUE E97		
12	3951133673	TUBE FOR GAUGE		
13	532304300	PIPE 3/8 NF	N:NSF	
13	3951130515	PIPE 3/8X 3/8 120øMM 2200		
14	923520000	BOILER OUTLET PIPE		
14	923559000	BOILER OUTLET PIPE NF	N:NSF	
15	532302200	GRATING PIPE 1/8 MM 220		



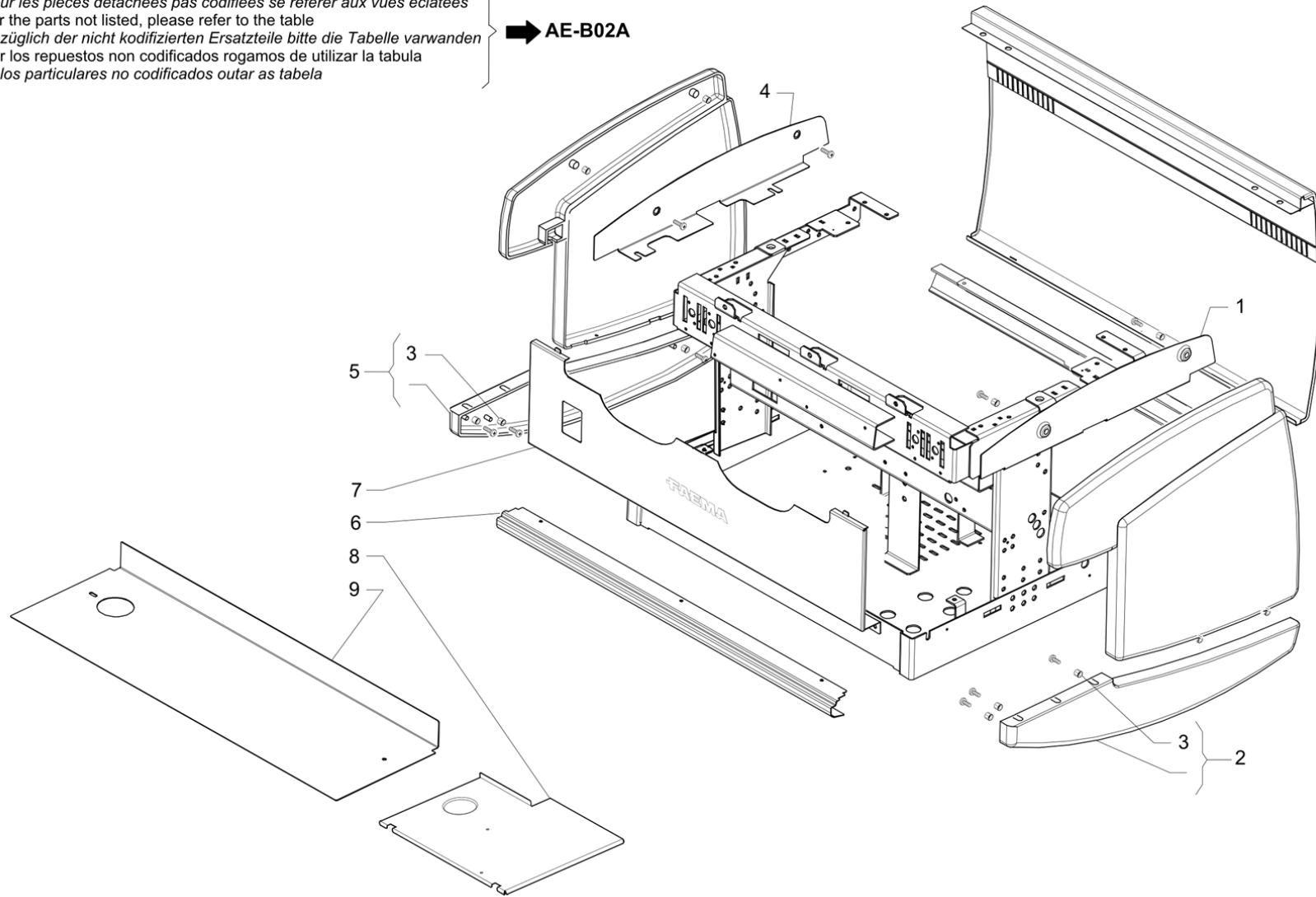
Pos	Part Number	Description	Validity	Notes
1	4831133078	DRAIN CONVEYOR		
2	3034052065	NUT M10		
3	923016014	COVER PLATE GR1		
4	4054043104	WASHER		
5	4034041294	NUT		
6	3991134469	FOOT		
7	532802210	UL FOOT	N:NSF	
8	915134010	FRONT PANEL 3GR		
8	915181010	FRONT PANEL 2GR		
8	923043010	FRONT PANEL 1GR		
9	915124010	3GR PROTECTIVE PLATE		
9	915192010	COVERING PLATE (2 GROUPS)		
10	915139000	GRATED CUP TRAY 3GR		
10	915183000	GRATED CUP TRAY 2GR		
10	923023000	GRATED CUP TRAY 1GR		
11	915538010	CUP TRAY GR3		
11	915548010	CUP TRAY GR2		
11	923503020	CUP TRAY GR1		



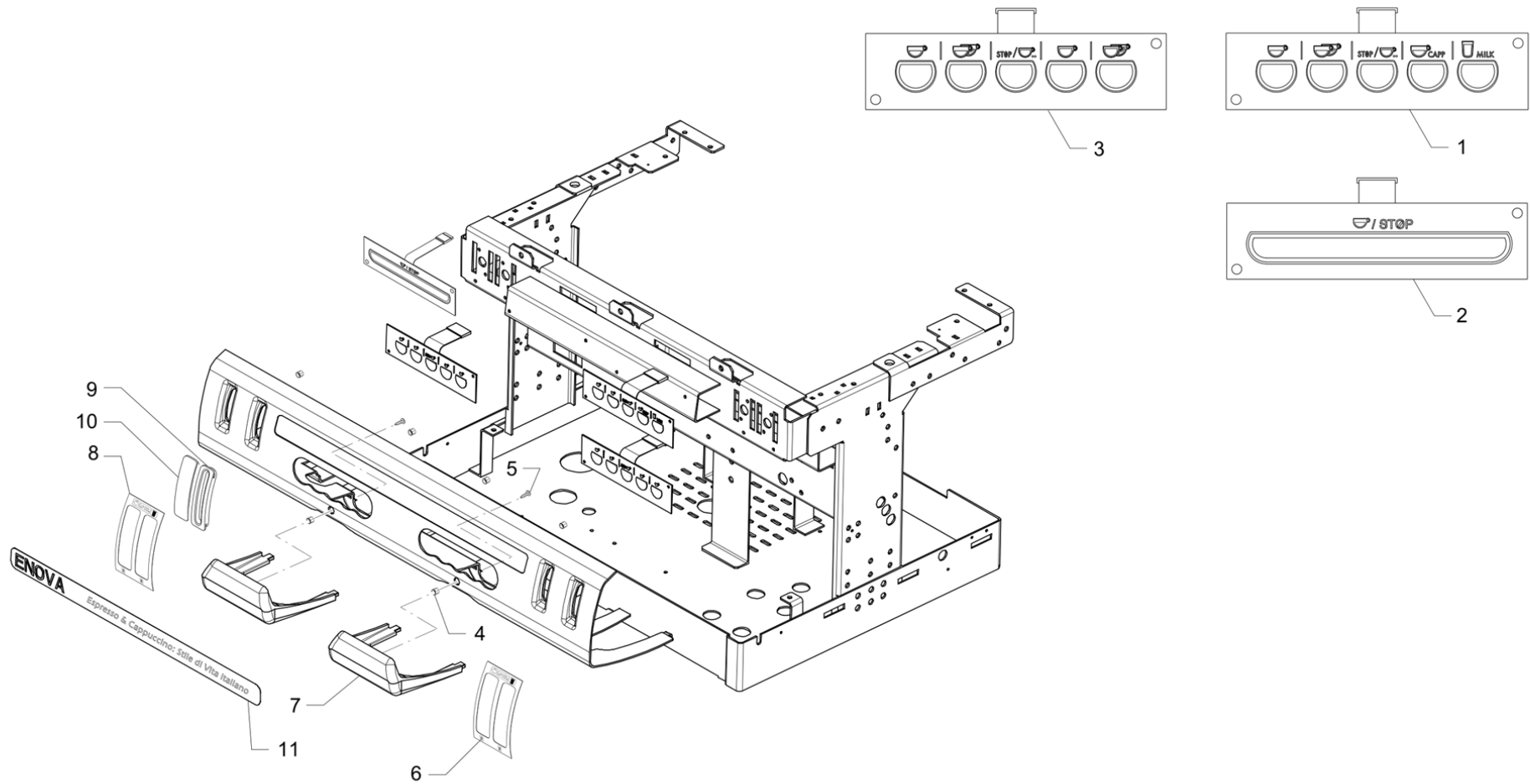
Pos	Part Number	Description	Validity	Notes
1	915567000	BACK PANEL INOX 3GR		
1	915568000	BACK PANEL INOX 2GR		
1	923562000	BACK PANEL INOX 1GR		
2	915218000	LOGO FAEMA		
3	915152040	ENOVA RH CUP-HEATER UPPER GUARD		
4	4161052269	CLIP		
5	521042950	SCREW		
6	925792010	RIGHT UPPER PANEL BLACK		
7	915310010	DRIP TRAY SPACER DX BLACK		
8	925794010	SIDE PANEL RIGHT BLACK		
9	915304007	ENOVA 3GR BACK LOWER PANEL CHROMINUM PLA		
9	923162007	ENOVA 1GR BACK LOWER PANEL CHROMIUM PLAT		
9	928084007	BACK LOWER PANEL GR2		
10	4831132821	LOWER PANEL HINGE		
11	915151040	ENOVA LH CUP-HEATER UPPER GUARD		
12	925795010	PANEL LOW LEFT BLACK		
13	915227000	SWITCH STICKER		
14	925793010	LEFT UPPER PANEL BLACK		
15	915311010	DRIP TRAY SPACER SX BLACK		
16	915140010	GR3 FRONTA PROFILE		
16	915184010	GR2 FRONTA PROFILE		
16	923041010	GR1 FRONTA PROFILE		
17	923563004	PANEL ENOVA GR1		
18	915316014	PANEL ENOVA GR2 BLACK		
18	915317014	PANEL ENOVA GR3 BLACK		

Per i particolari non codificati vedere la tabella
 Pour les pieces détachées pas codifiées se référer aux vues éclatées
 For the parts not listed, please refer to the table
 Bezüglich der nicht kodifizierten Ersatzteile bitte die Tabelle verwenden
 Por los repuestos no codificados rogamos de utilizar la tabula
 Pelos particulares no codificados outar as tabela

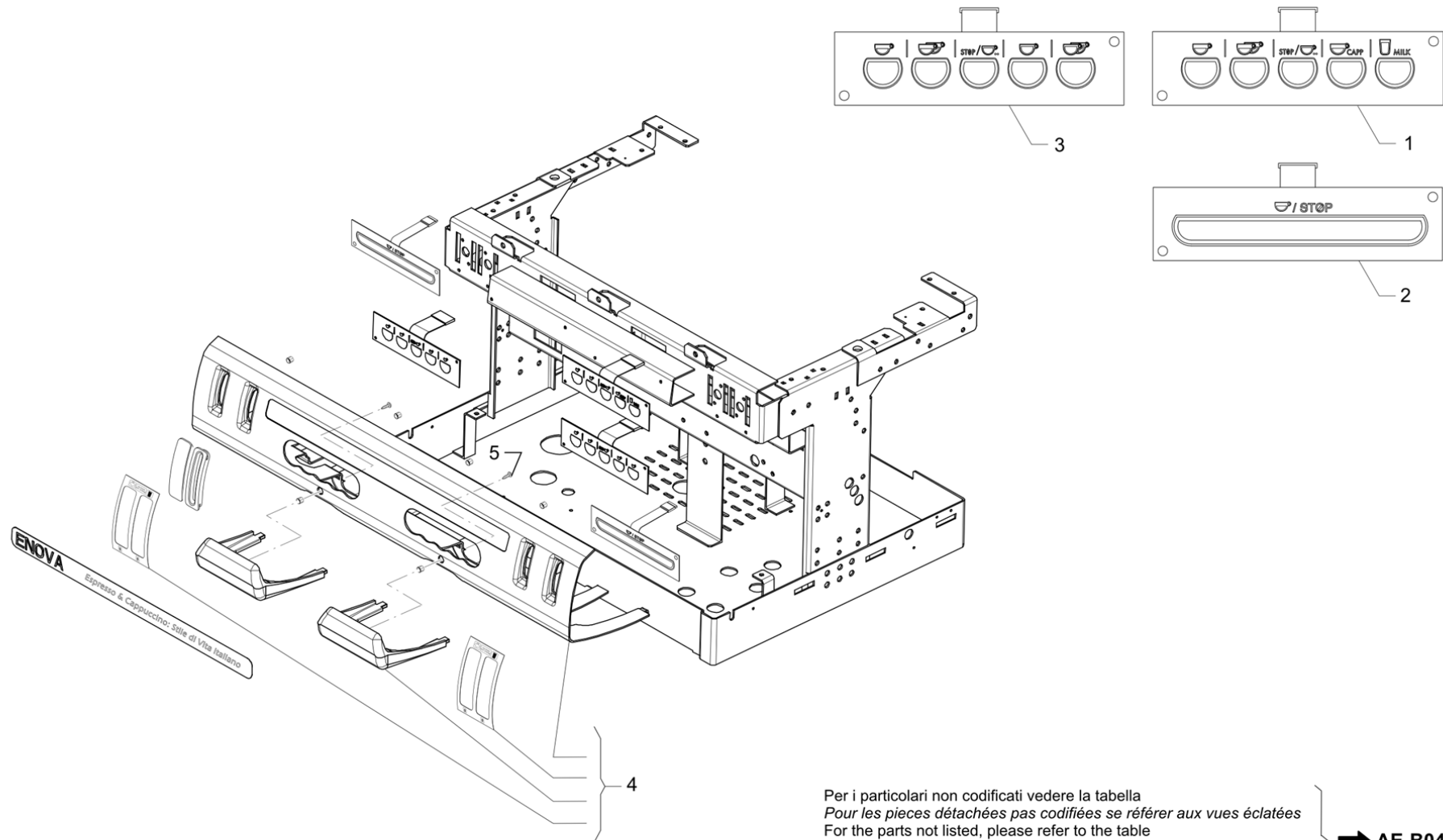
➔ **AE-B02A**



Pos	Part Number	Description	Validity	Notes
1	915152040	ENOVA RH CUP-HEATER UPPER GUARD		
2	928717000	SIDE PANEL RIGHT		
3	4161052269	CLIP		
4	915151040	ENOVA LH CUP-HEATER UPPER GUARD		
5	928718000	PANEL LOW LEFT		
6	923020010	GR1 VA FRONTAL PROFILE		
6	915185010	GR2 VA FRONTAL PROFILE		
6	915141010	GR3 VA FRONTAL PROFILE		
7	915133020	FRONT PANEL 3GR HIGH GLASSES		
7	915180020	FRONT PANEL 2GR HIGH GLASSES		
7	923013010	FRONT PANEL 1GR		
8	923016014	COVER PLATE GR1		
9	915124010	3GR PROTECTIVE PLATE		
9	915192010	COVERING PLATE (2 GROUPS)		



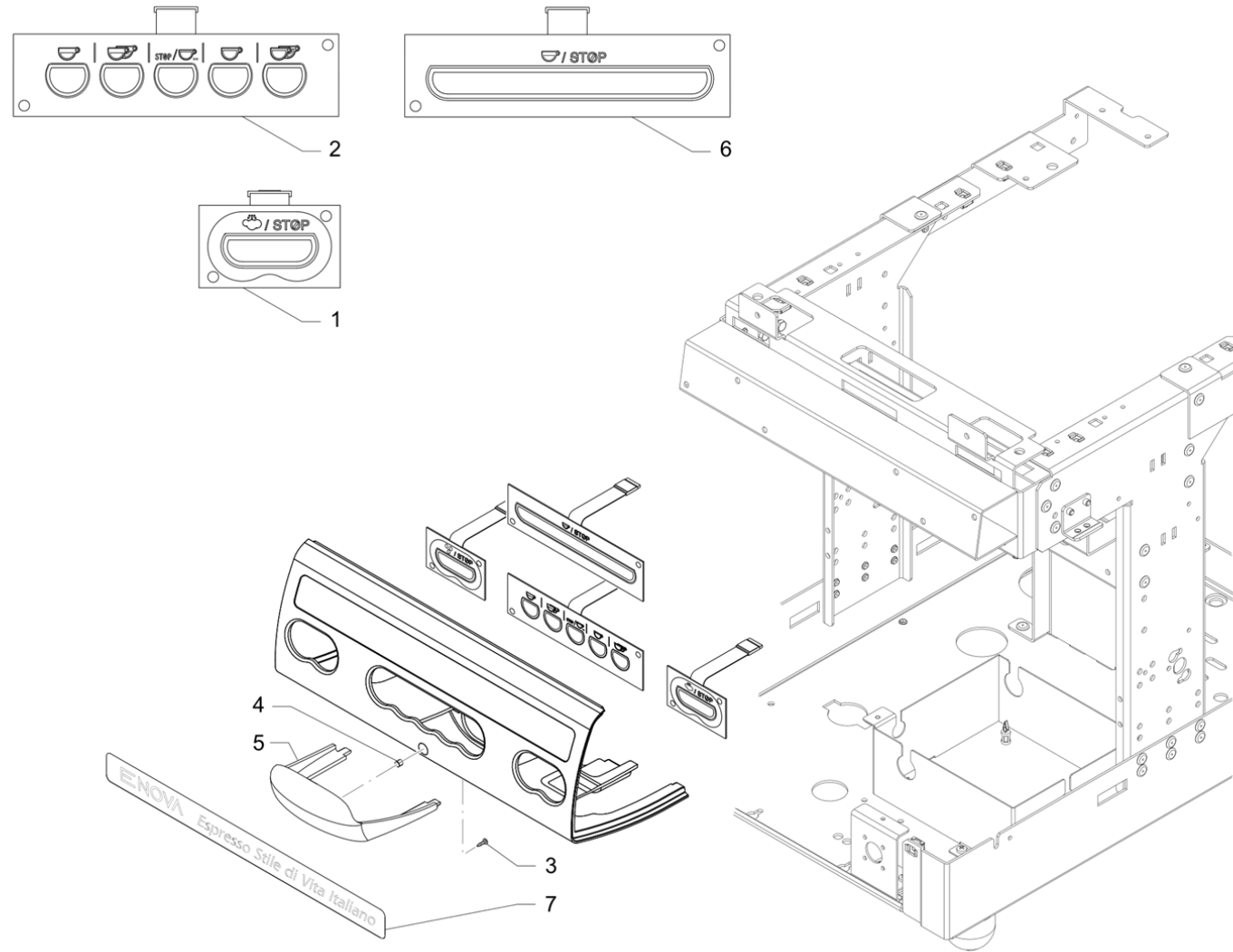
Pos	Part Number	Description	Validity	Notes
1	915219000	ENOVA A KEY PAD C/CAPP.		
2	915201000	ENOVA S KEY PAD		
3	915173000	ENOVA A KEY PAD		
4	4161052269	CLIP		
5	521042950	SCREW		
6	915229000	PLATE STEAM/CAPP.		
7	915153007	GROUP PROTECTION		
8	915228000	PLATE STEAM/WATER		
9	911273010	BACK PANEL		
10	915166010	CONTROL PANEL MASK		
11	915214010	STICKER ENOVA GR2		
11	915217010	STICKER ENOVA GR3		



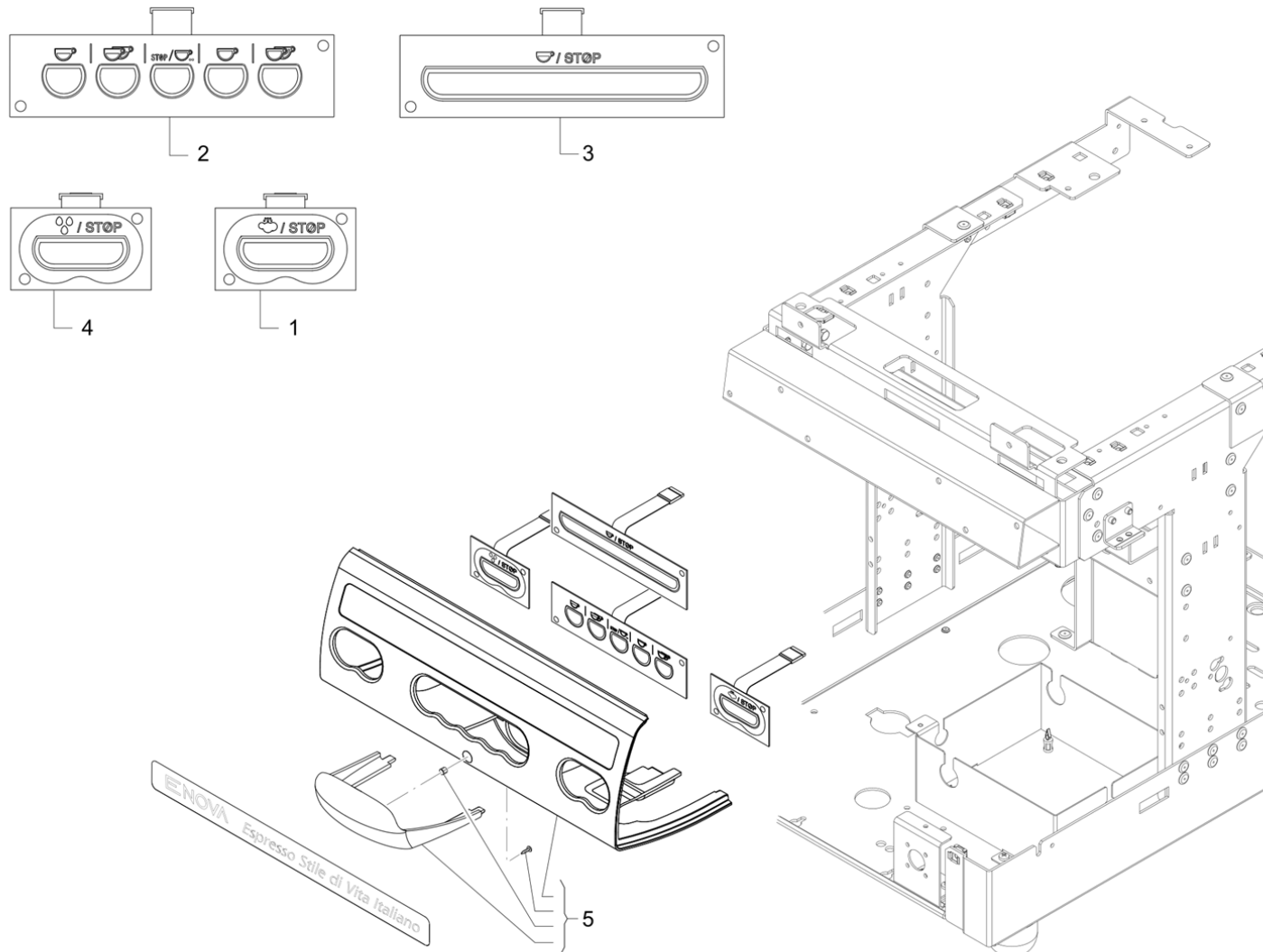
Per i particolari non codificati vedere la tabella
 Pour les pièces détachées pas codifiées se référer aux vues éclatées
 For the parts not listed, please refer to the table
 Bezüglich der nicht kodifizierten Ersatzteile bitte die Tabelle verwenden
 Por los repuestos no codificados rogamos de utilizar la tabula
 Pelos particulares no codificados utar as tabela

➔ **AE-B04**

Pos	Part Number	Description	Validity	Notes
1	915314010	ENOVA A KEY PAD C/CAPP. BLACK		
2	915315010	ENOVA S KEY PAD BLACK		
3	915313010	ENOVA A KEY PAD BLACK		
4	925844000	PUSH BUTTON PANEL 2GR ENOVA BLACK		
4	925843000	PUSH BUTTON PANEL 3GR ENOVA RES BLACK		



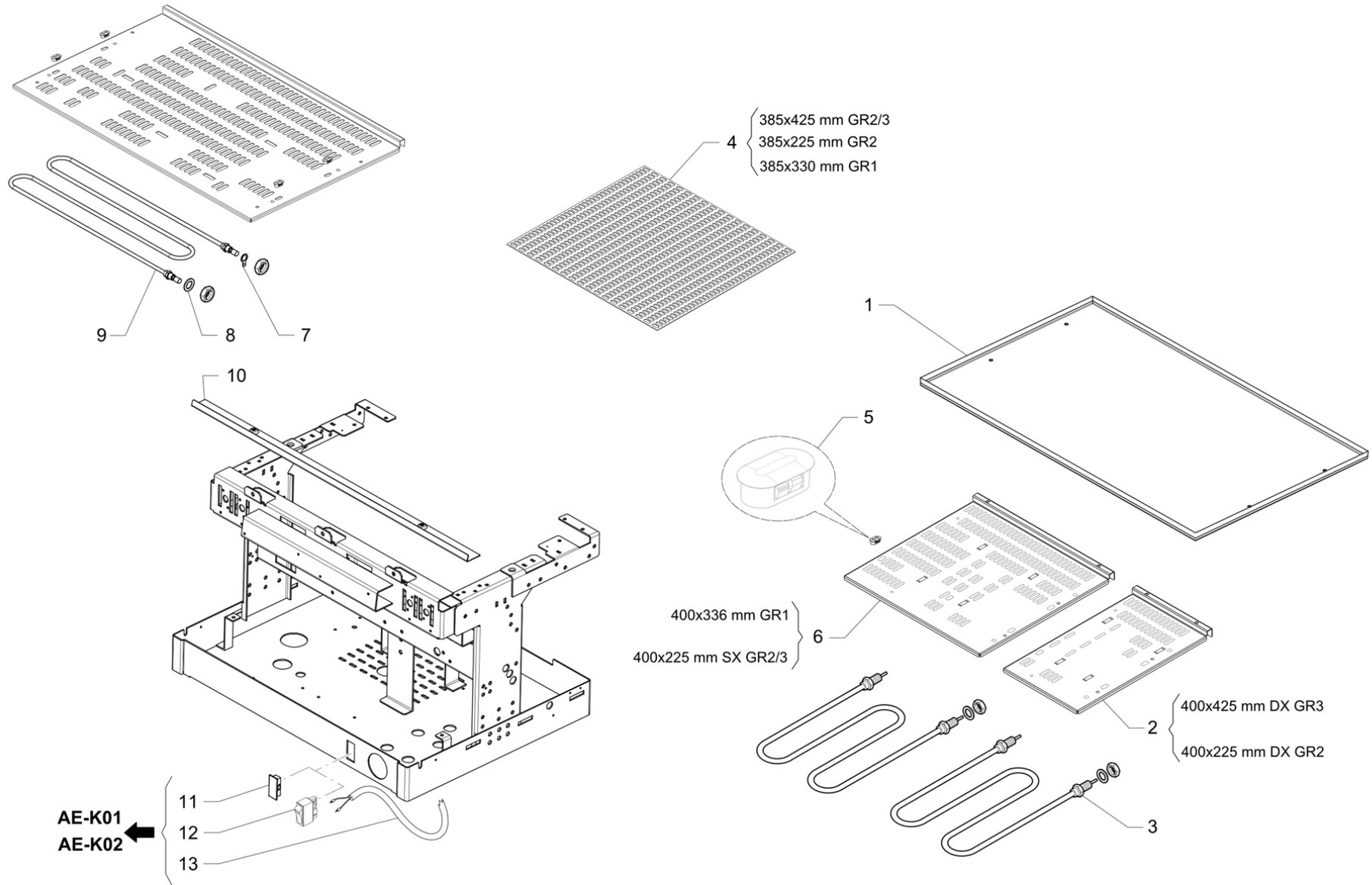
Pos	Part Number	Description	Validity	Notes
1	923053000	ENOVA GR1 KEY PAD STEAM		
2	915173000	ENOVA A KEY PAD		
3	521042950	SCREW		
4	4161052269	CLIP		
5	915153007	GROUP PROTECTION		
6	915201000	ENOVA S KEY PAD		
7	923055010	STICKER ENOVA GR1		



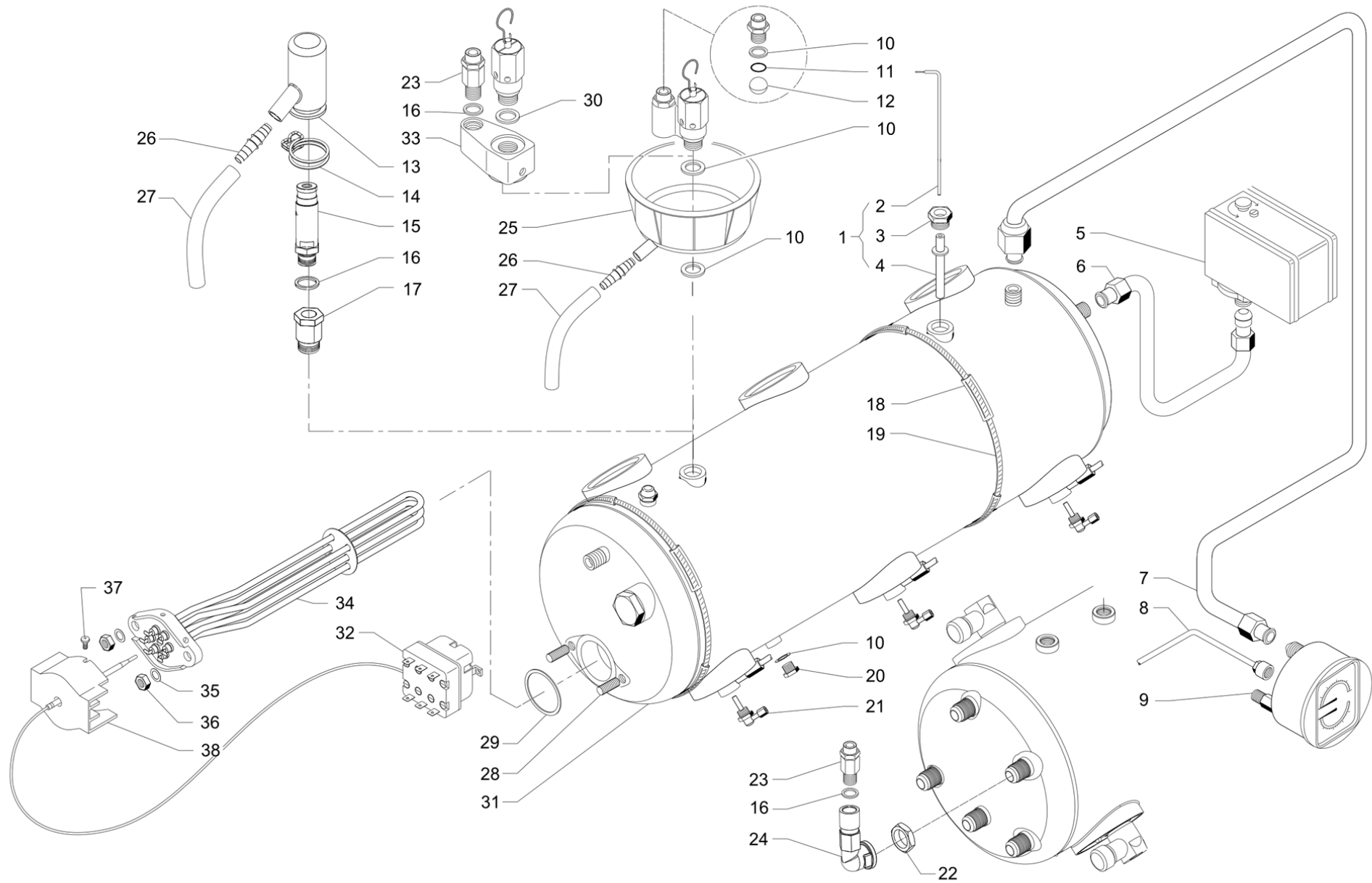
Per i particolari non codificati vedere la tabella
 Pour les pièces détachées pas codifiées se référer aux vues éclatées
 For the parts not listed, please refer to the table
 Bezüglich der nicht kodifizierten Ersatzteile bitte die Tabelle verwenden
 Por los repuestos no codificados rogamos de utilizar la tabula
 Pelos particulares no codificados outar as tabela

➔ **AE-B05**

Pos	Part Number	Description	Validity	Notes
1	923166010	ENOVA GR1 KEY PAD STEAM BLACK		
2	915313010	ENOVA A KEY PAD BLACK		
3	915315010	ENOVA S KEY PAD BLACK		
4	923165010	ENOVA GR1 KEY PAD WATER BLACK		
5	925847000	PUSH BUTTON PANEL 1GR ENOVA SCHWARZ		

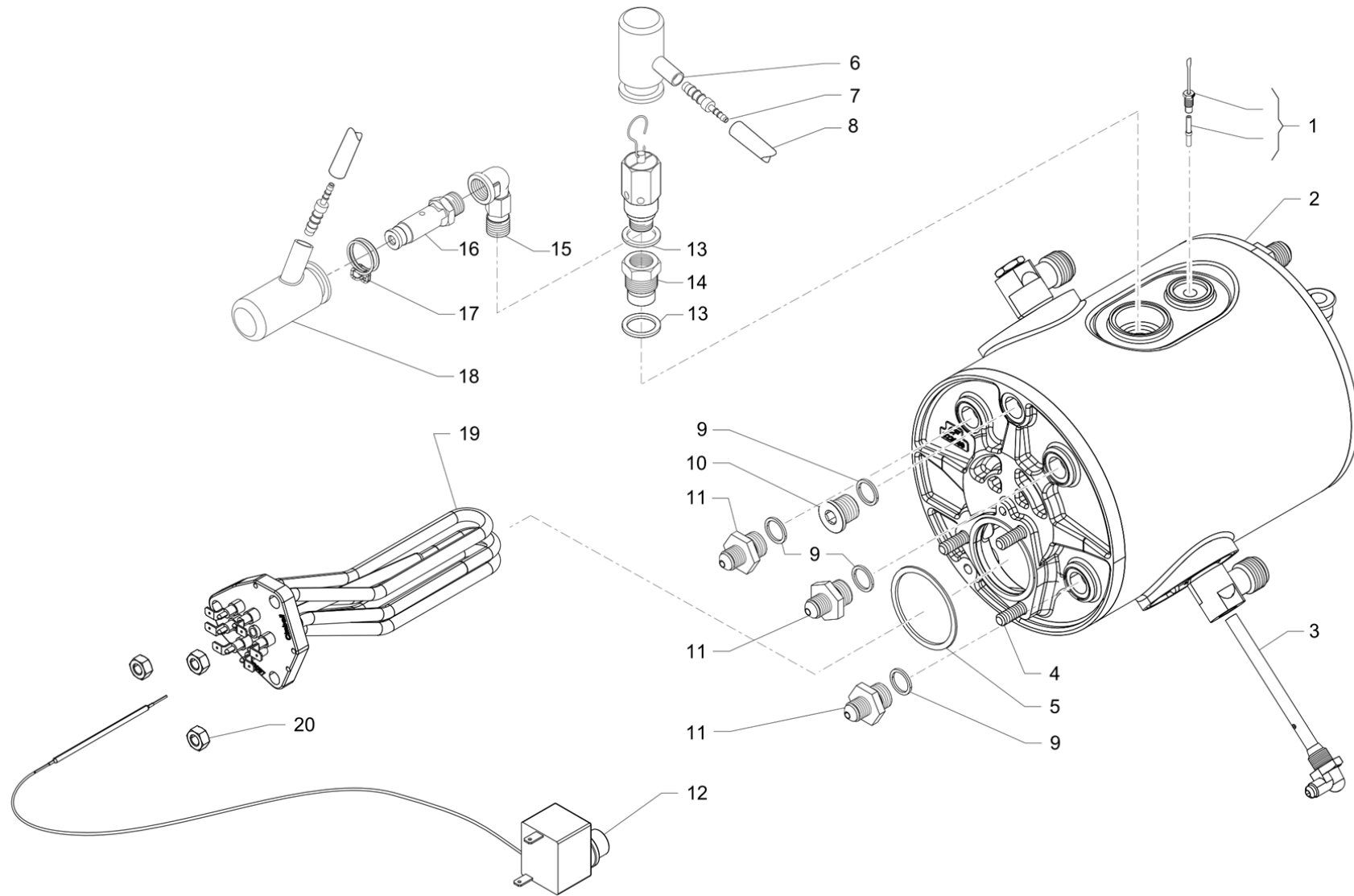


Pos	Part Number	Description	Validity	Notes
1	915215000	CUPS-WARMER PANEL ENOVA GR3 NF	N:NSF	
1	915216000	CUPS-WARMER PANEL ENOVA GR2 NF	N:NSF	
1	923046010	CUPS-WARMER PANEL ENOVA GR1 NF	N:NSF	
2	537045800	KIT CUPWARMER GR2 DX 400X225		
2	537045900	KIT CUPWARMER GR3 DX 400X425		
3	499094000	HEATING ELEMENT W100/120 CUP WARMER		
4	915194000	PLASTIC GRATE 385X425		
4	915195000	PLASTIC GRATE 385X225		
4	923150000	PLASTIC GRATE 385X330		
5	911302000	CAP		
6	537045700	KIT CUPWARMER GR1 400X336		
6	537046000	KIT CUPWARMER GR2/3 SX 400X425		
7	915220000	WASHER D.22X7,2X2,5		
8	401234000	GASKET COPPER		
9	499021010	150-180W CUPWARMER HEATING ELEMENT		
9	496227000	CUP-WARMER HEATING ELEMENT W200/240		
10	915144010	CUPWARMER FRONTAL PROFILE 3GR		
10	915193020	CUPWARMER FRONTAL PROFILE 2GR		
10	923024010	CUPWARMER FRONTAL PROFILE 1GR		
11	915102010	CAP		
12	990888000	BIPOLAR LIGHTING SWITCH		
13	915898018	WIRING S/S CUP-WARMER GR2/3		
13	923760000	WIRING S/S CUP-WARMER		

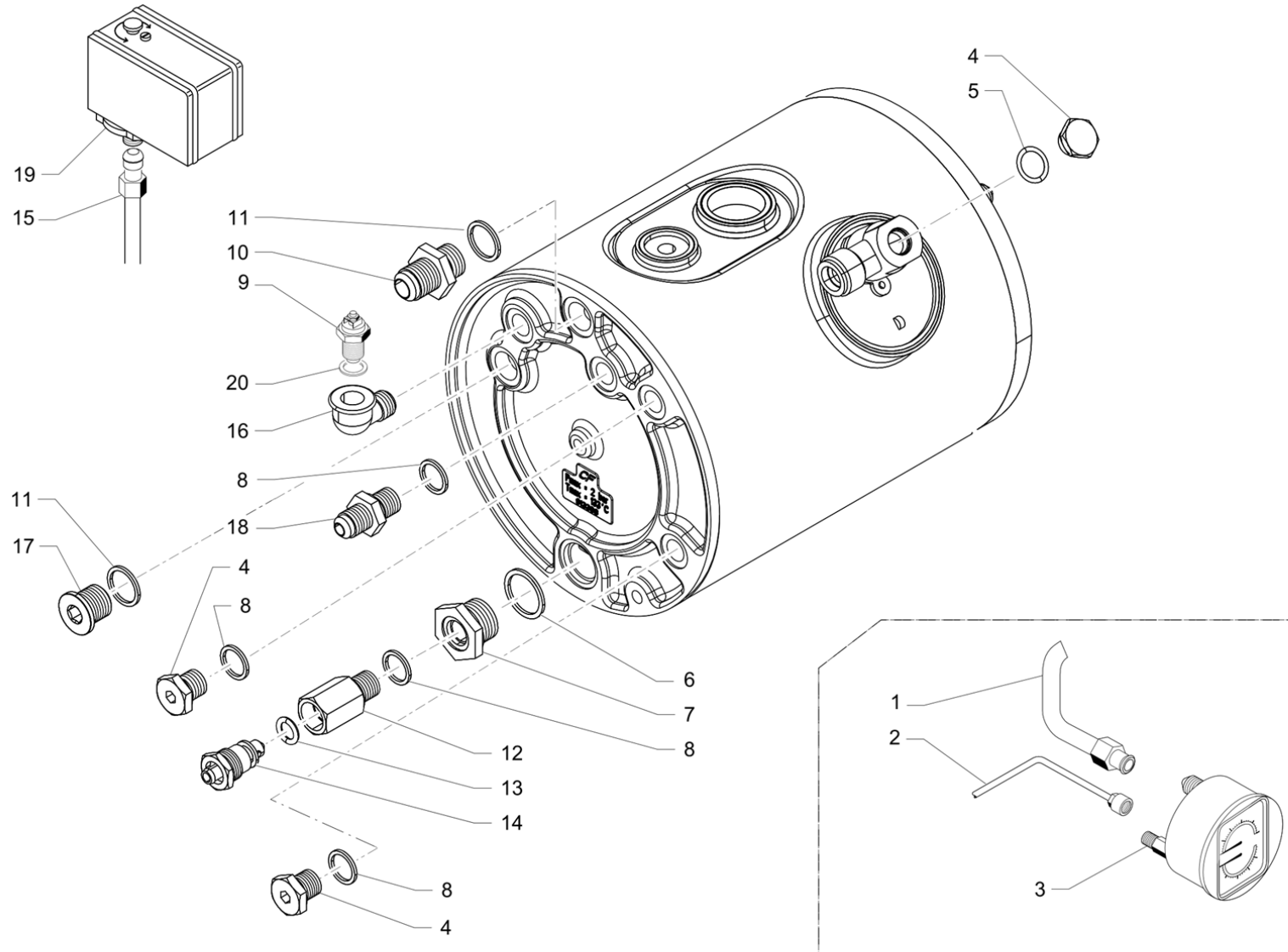


Pos	Part Number	Description	Validity	Notes
1	915789000	COMPLETE LEVEL PROBE 108MM		
2	495316000	PROBE		
3	4151112604	PROBE PLUG		
4	915122000	TEFLON BUSH		
5	531190310	PRESSOSTAT		
6	915750000	BOILER-PRESSURESTAT TUBE		
6	915754000	BOILER-PRESSURESTAT PIPE GR3		
7	915747000	BOILER PIPE-GAUGE		
8	3951133673	TUBE FOR GAUGE		
9	3781133765	GAUGE DOUBLE DUE E97		
10	401183010	GASKET 22X17X1,5 INLET VALVE		
11	401320000	O-RING 7.5X2.62		
12	539001600	BALL		
13	966492000	SAFETY VALVE PROTECTION		
14	532746200	CABLE TIE-RAPS WITH SCREW		
15	532392500	SAFETY VALVE 1,9 1/4G		
16	401250010	GASKET § 17,9X14,2X1,5		
17	537051500	SECURITY VALVE JOINY WITH GAKET		
18	220000016	SILICONE PIPE D 6X10		
19	532715310	STAINLESS STEEL CLAMP 730x7.96x0.28MM		
20	457347010	3/8 GAS EXAGONAL INOX CAP		
21	911596000	INJECTOR		
22	590127020	COUNTER NUT 3/8		
23	418941010	ANTI-UNDERTOW VALVE ASS.		
24	492315008	SAFETY VALVE UNION 3/8F 1/4F RUV		
25	915241010	SAFETY VALVE DRAIN		
26	532601000	HOSE ADAPTOR		
27	220000017	SILICONE PIPE D 10X15		
28	503308250	S.S. M8X25 BOLD		
29	401194010	GASKET BOILER FLANGE		
30	4701024555	GASKET		
31	911991000	3GR BOILER ASS.		
31	911982000	2GR BOILER ASS. W/RUVECO	N:NSF	
31	911983000	3GR BOILER ASS. W/RUVECO	N:NSF	
31	911990000	2GR BOILER ASS.		
32	531191800	SAFETY THERMOSTAT U.L.	N:UL	
32	531193100	SAFETY THERMOSTAT		
33	903031000	SAFETY AND VACUUM VALVE GROUP		
34	911544020	220-240V 3750-4500W RESISTANCE		
34	911545020	220-240V 4500-5360W RESISTANCE		
34	911545028	220-240V 4500-5360W RESISTANCE W/ RUVECO	N:NSF	
34	911546028	220-240V 5700-6800W RESISTANCE W/ RUVECO	N:NSF	
34	911684000F	RESISTOR 220-240V 3780-4500W KTL	N:KTL	

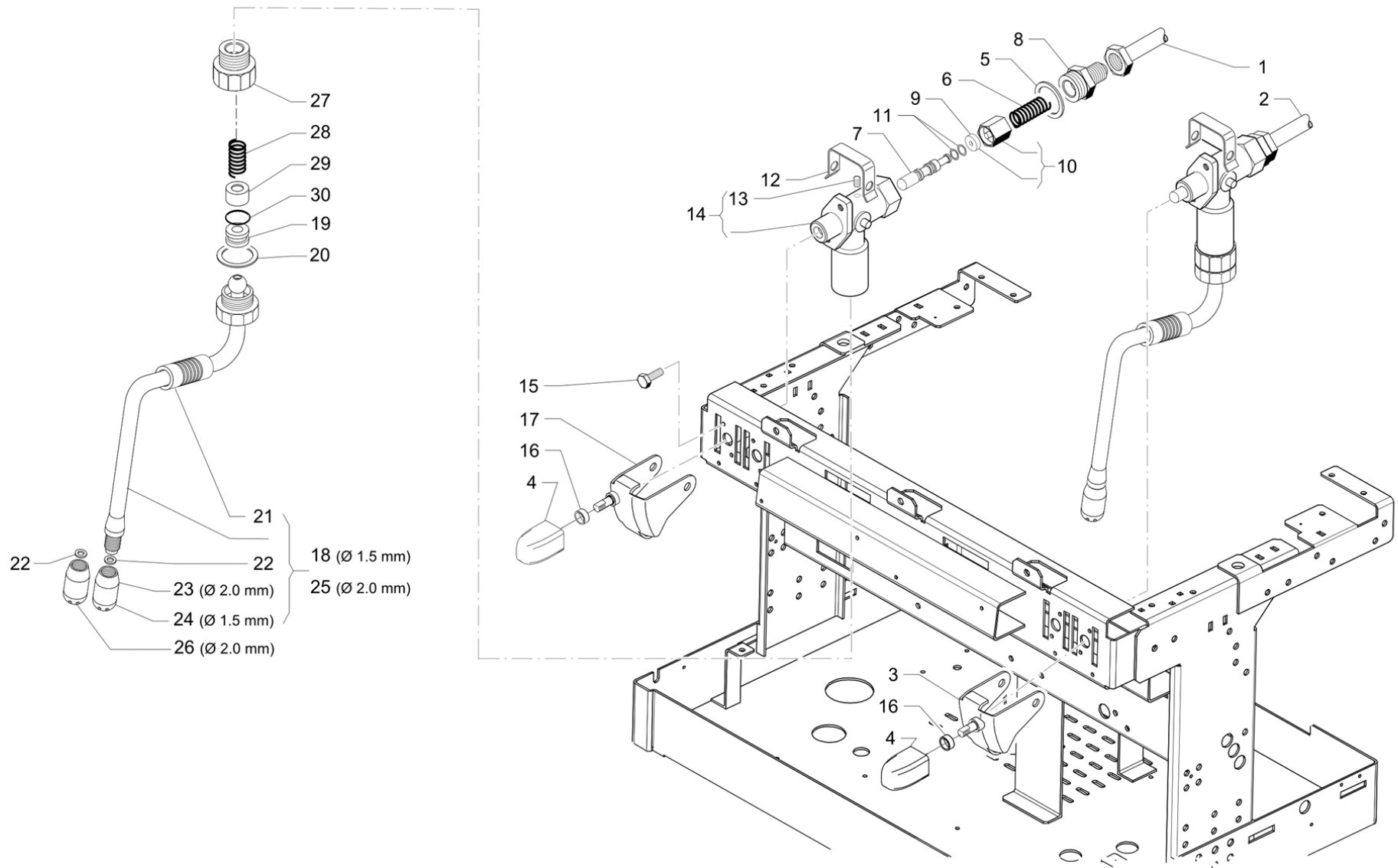
Pos	Part Number	Description	Validity	Notes
35	4054043103	WASHER		
36	4031131467	M8 RESISTANCE FASTENING NUT		
37	502704066	4X6 TCTC S.S. SCREW		
38	4831135020	PROTECTION HEATING ELEMENT		



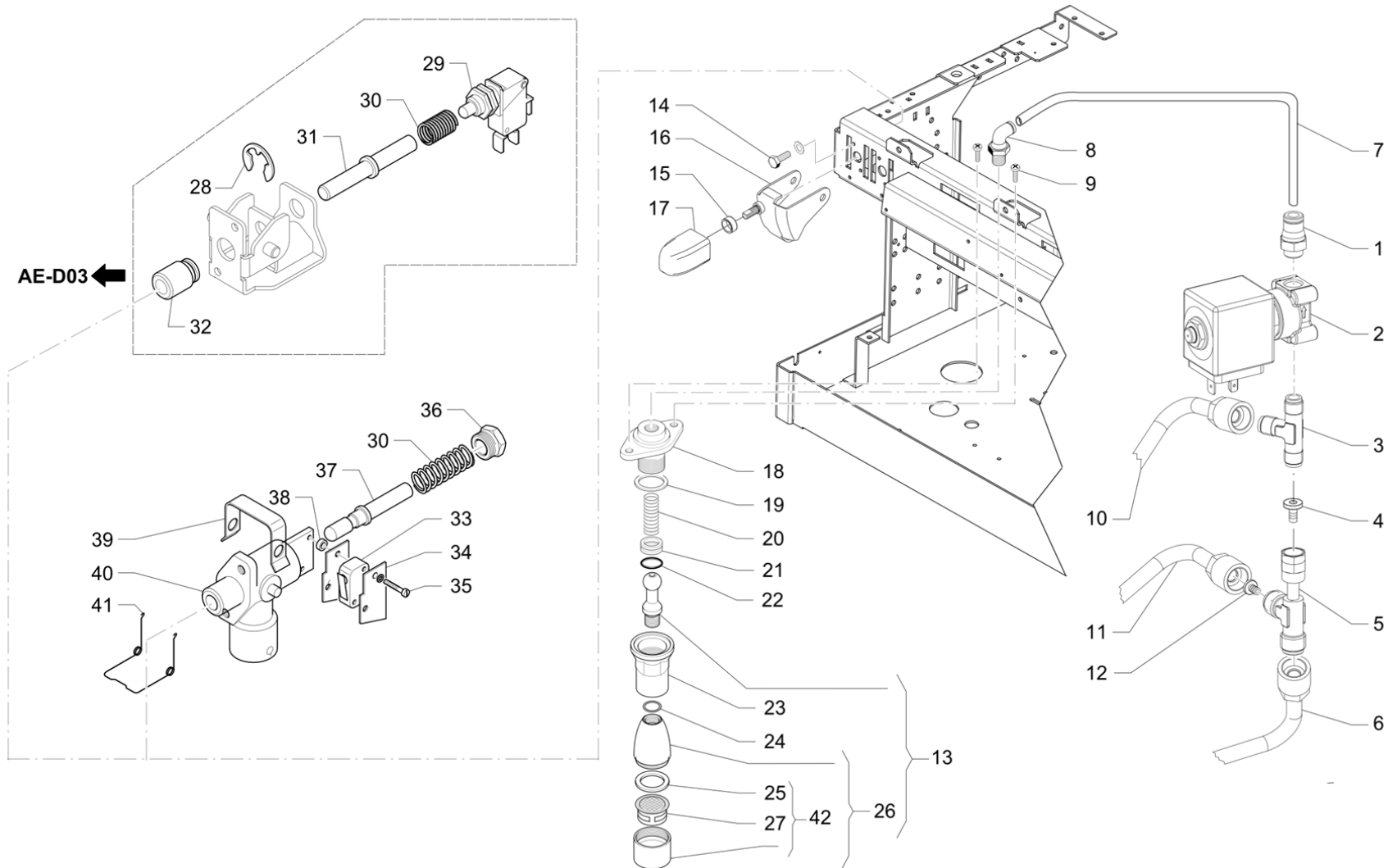
Pos	Part Number	Description	Validity	Notes
1	913786010	LEVEL PROBE L=89MM		
2	911624008	ENOVA 1GR BOILER ASS. W/RUVEC		
3	911596000	INJECTOR		
4	503308200	M8X20 BOLD		
5	401194010	GASKET BOILER FLANGE		
5	402263000	GASKET JPN	M:JP	
6	913124010	SAFETY VALVE PROTECTION		
7	532600700	HOSE ADAPTOR		
8	220000017	SILICONE PIPE D 10X15		
9	401215000	COPPER GASKET		
9	401215006	COPPER GASKET NF	N:NSF	
10	457347010	3/8 GAS EXAGONAL INOX CAP		
11	923067008	NIPPLE 1/4X3/8		
12	531194720	SFTY. THERMOSTAT		
13	401183010	GASKET 22X17X1,5 INLET VALVE		
14	908014008	UNION		
15	492298018	ELBOW FITTING VALVE 3/8F -3/8M RUVECO		
16	532392600	SAFETY VALVE 1,9 bar 3/8G		
17	532746800	SINGLE CABLE TIE-RAP		
18	966492000	SAFETY VALVE PROTECTION		
19	923522020	HEATING ELEMENT 2700 W 220V		
19	923522028	RESISTOR 220V 2700W L=202 NSF WITH RUVEC	N:NSF	
19	923553018	HEATING ELEMENT 120V/1500W NF	N:NSF	
20	542908080	NUT M8		



Pos	Part Number	Description	Validity	Notes
1	923513000	BOILER PIPE-GAUGE		
2	3951133673	TUBE FOR GAUGE		
3	3781133765	GAUGE DOUBLE DUE E97		
4	594537010	BLIND NIPPLE 1/4 GAS ST. STEEL		
5	4701024554	COPPER GASKET ø 18X13,5X1,5		
5	402204006	COPPER GASKET § 18X13,5X1,5 NF	N:NSF	
6	401216000	COPPER GASKET		
6	401216006	COPPER GASKET 1/2 NF	N:NSF	
7	923027008	NIPPLE 1/4 X 1/2		
8	401214000	GASKET		
8	401214006	GASKET 17,9 X 14,2 X 1,5 NF	N:NSF	
9	418941010	ANTI-UNDERTOW VALVE ASS.		
10	913160008	NIPPLE 3/8 X 3/8		
11	401215000	COPPER GASKET		
11	401215006	COPPER GASKET NF	N:NSF	
12	419947000	BOILER DRAIN ASS. - STRAIGHT 1/8		
	⇌ 419076008	TAP BODY		
13	402225000	O-RING 9,13X2,62 VIT.		
14	419088000	DISC. DRAIN TAP		
	⇌ 419077000	RELIEF VALVE CAP		
15	923512000	BOILER-PRESSURESTAT TUBE		
16	418037008	BEND JOINT 1/4 VACUM VALVE		
17	457347010	3/8 GAS EXAGONAL INOX CAP		
18	913159008	NIPPLE 1/4 X 1/4		
19	532195500	PRESSOSTAT		
19	531190310	PRESSOSTAT	N:UL	
20	401250010	GASKET § 17,9X14,2X1,5		

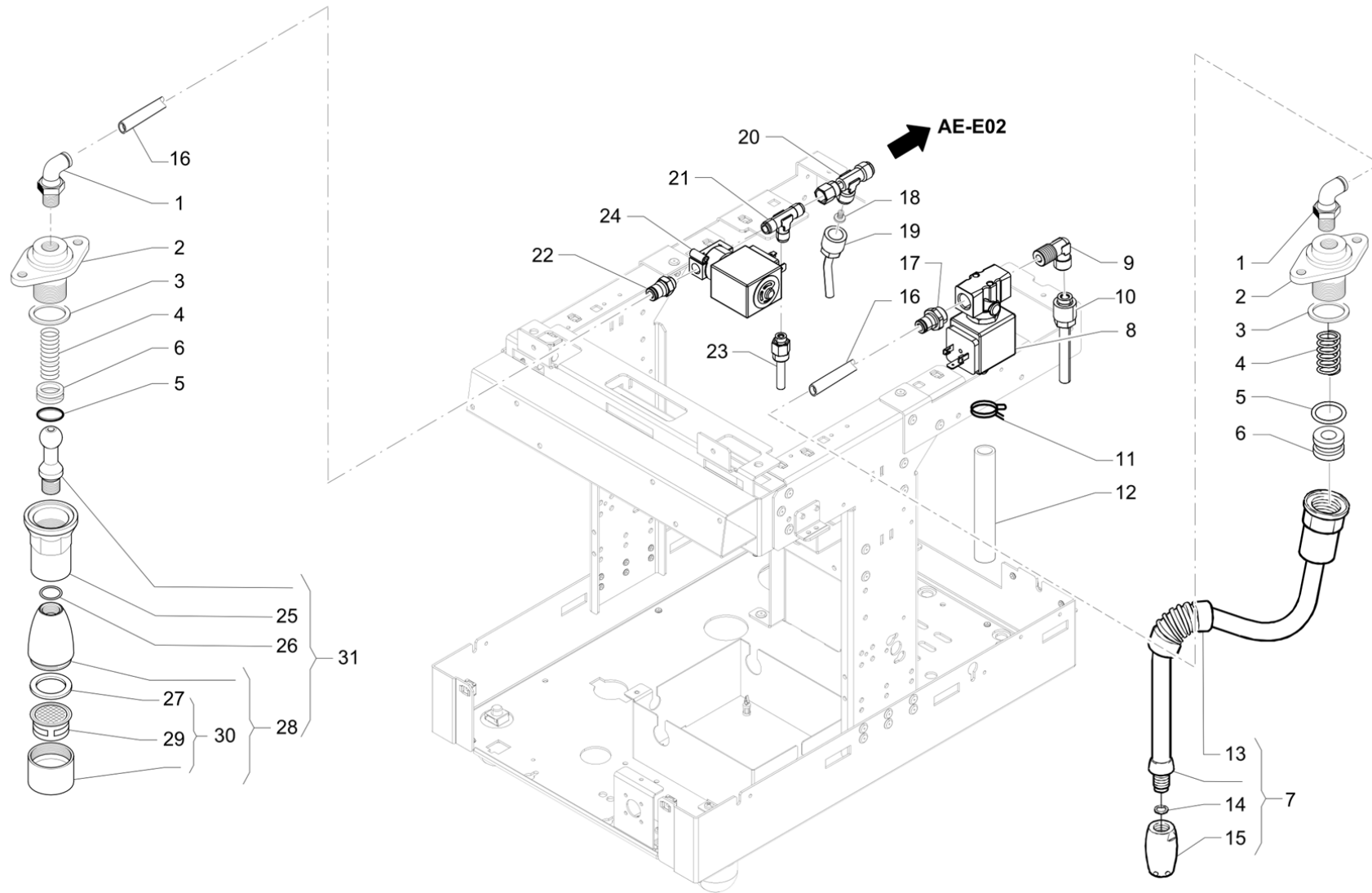


Pos	Part Number	Description	Validity	Notes
1	915739000	LEFT STEAM PIPE		
1	915739008	LEFT STEAM PIPE NF	N:NSF	
2	915740000	RIGHT STEAM PIPE GR2		
2	915740008	RIGHT STEAM PIPE NF GR2	N:NSF	
2	915752000	RIGHT STEAM PIPE GR3		
2	915752008	RIGHT STEAM PIPE NF GR3	N:NSF	
3	911564010	TAP LEVER LEFT		
4	930020010	STEAM TAP HANDLE SMART R		
5	400335010	GASKET 21X24,5X1,5		
6	4731030495	SPRING		
7	930067000	TAP VALVE BASE NF		
8	485219008	UNION		
9	402205000	GASKET NF		
10	903995010	WATER AND STEAM VALVE		
11	402196000	O-RING 4,20X1,90		
12	4731133611	CLAMP		
13	532501300R	SCREW SO-40371-1/8		
14	457570000	NSF TAP BODY ASSEMBLY	N:NSF	
14	912829010	BODY FAUCET		
15	503905100	SCREW		
16	4081132841	COMPRESSION RING		
17	911563010	RIGHT TAP LEVER		
18	485757020	ST. STEEL STEAM TUBE ASS. BULB 1.5		
19	4161132346	BUSH IN TEFLON		
20	4701116694	GASKET		
21	430119010	SLEEVE		
22	402223000	O-RING 7,65X1,78 TS PROBE	N:NSF	
22	4051133431	WASHER FOR STEAMWAND		
23	485328000	VAPORISER TERMINAL DIAMETER 2		
24	485327000	VAPORISER TERMINAL DIAMETER 1.5		
25	485756020	ST. STEEL STEAM WAND MM2		
26	485251000	STEAM NOZZLE NF		
27	485200038	COVER FOR STEAM TUBE CONFIGURATION		
	⇒ 485200028	FITTING		
28	4731132350	SPRING STEAM WAND		
29	485201008	BRASS SPACER §14.9X13		
30	402206000	GASKET		



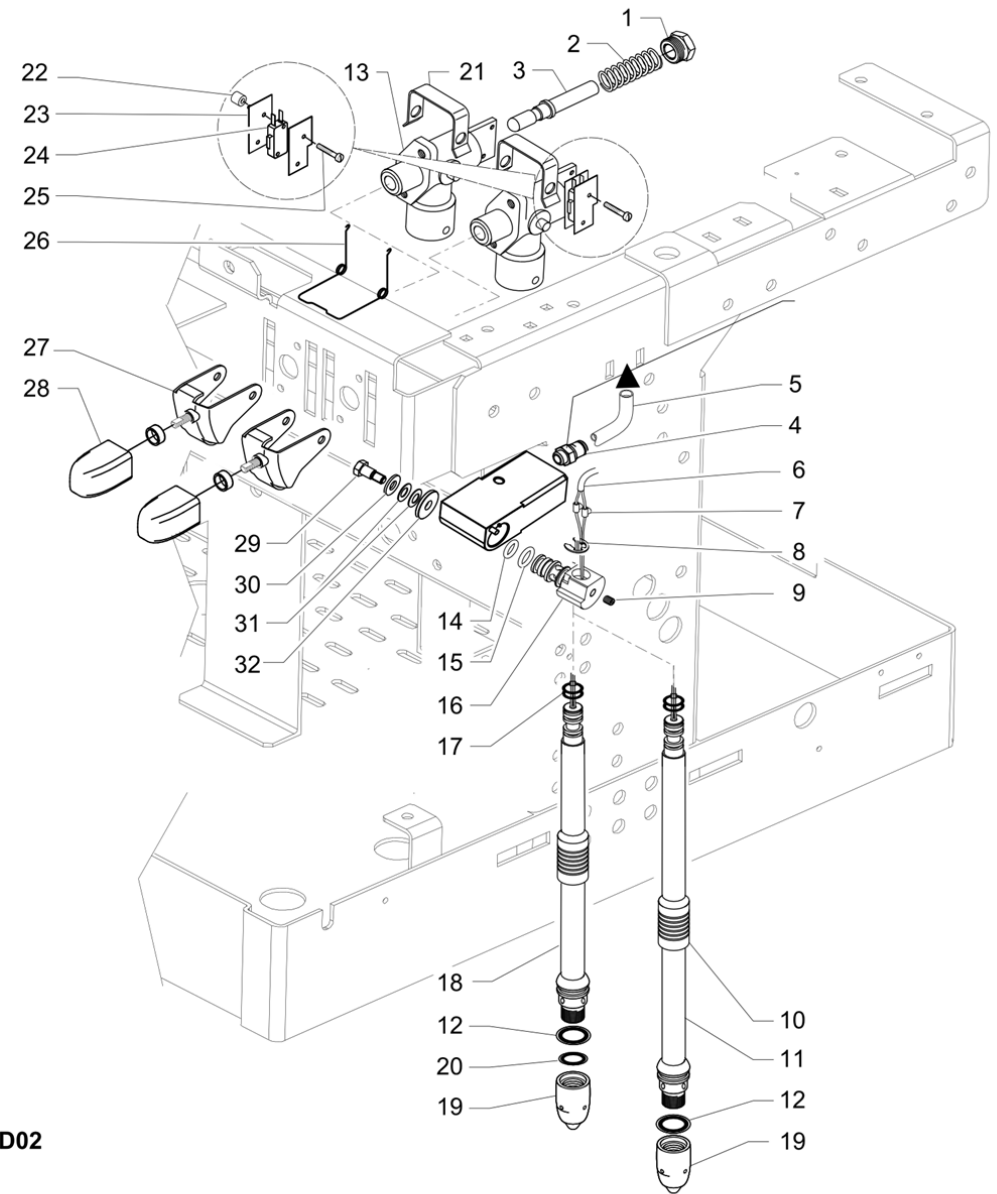
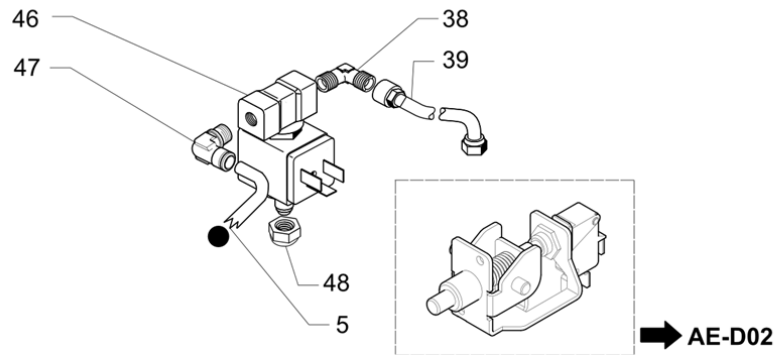
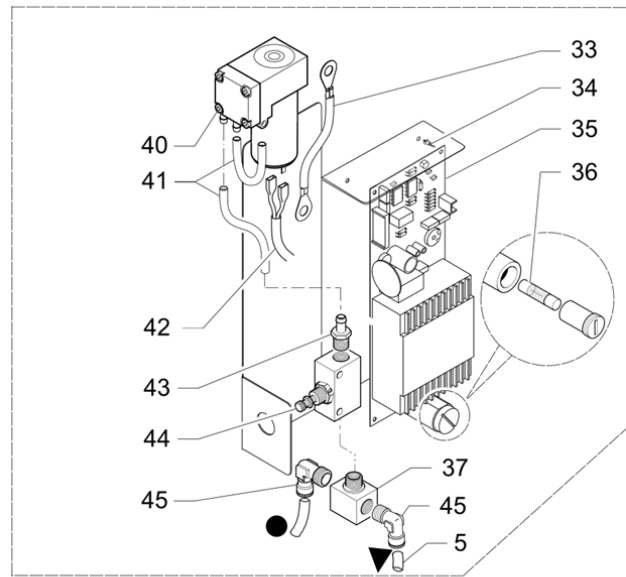
Pos	Part Number	Description	Validity	Notes
1	532650900	UNION FOR TUBE 6 MM		
2	533904800F	VITON 1/8" 220/240 V 50/60 Hz EV 2 VIE N		
	⇒ 533895200R	SOLENOID VALVE 220/240 V 50 HZ VITON 1/8		
2	533904900F	VITON 1/8" 208/240 V 60 Hz EV 2 VIE NC	N:UL	
	⇒ 533896200R	SOLENOID VALVE 208-240/60 NF	N:UL	
3	555000050R	FITTING		
4	931211000	NOZZLE OF 1MM INOX		
5	923769000	TEE UNION 1/4		
6	915727000	TUBE FILL SOLENOID VALVE/BOILER		
6	925730000	TUBE FILL SOLENOID VALVE/BOILER NF	N:NSF	
7	220000022	RISLAN PIPE 4X6		
8	532651800	FAST UNION D.6		
9	502704066	4X6 TCTC S.S. SCREW		
10	915742000	BOILER OUTLET PIPE		
10	915931000	BOILER OUTLET PIPE NF	N:NSF	
11	915741000	FILL-IN BOILER PIPE		
11	915928000	FILL-IN BOILER PIPE NF	N:NSF	
12	915274000	NOZZLE OF 1MM NF		
13	936960020F	WATER WAND ASSEMBLY W/PLASTIC CAP		
14	503905100	SCREW		
15	4081132841	COMPRESSION RING		
16	911563010	RIGHT TAP LEVER		
17	930020010	STEAM TAP HANDLE SMART R		
18	484016048	CONNECTOR FOR DISPENSER		
19	401183010	GASKET 22X17X1,5 INLET VALVE		
20	485061010	STAIN LESS STEEL SPRING		
21	485078010	GASKET		
22	402209000	O-RING GASKET 10,82X1,78 NF		
23	485148010	RING NUT		
24	402210000	O-RING GASKET 6,75 X 1,78 NF		
25	402320000F	21X15X2 NSF SEAL		
26	985717000	WATER WAND		
27	532305000	FILTER		
28	568810000	RING BENZING DIA 10		
29	532006600	MICRO SWITCH		
30	4731030495	SPRING		
31	915177010	MAIN SHAFT		
32	915176000	SHAFTHOLDER RING		
33	532020000	MICROSWITCH		
34	468016000	PLATE		
35	503403200	S.S. T.C.T.CR.M3X20 SCREW		
36	902298000	UNION		
37	902299000	PIN		
38	532715200	SPACER		

Pos	Part Number	Description	Validity	Notes
39	4731133611	CLAMP		
40	902300010	SELECTION SHAFT BODY		
41	911310000	SPRING		
42	985716020F	M22X1 JET BREAKER		



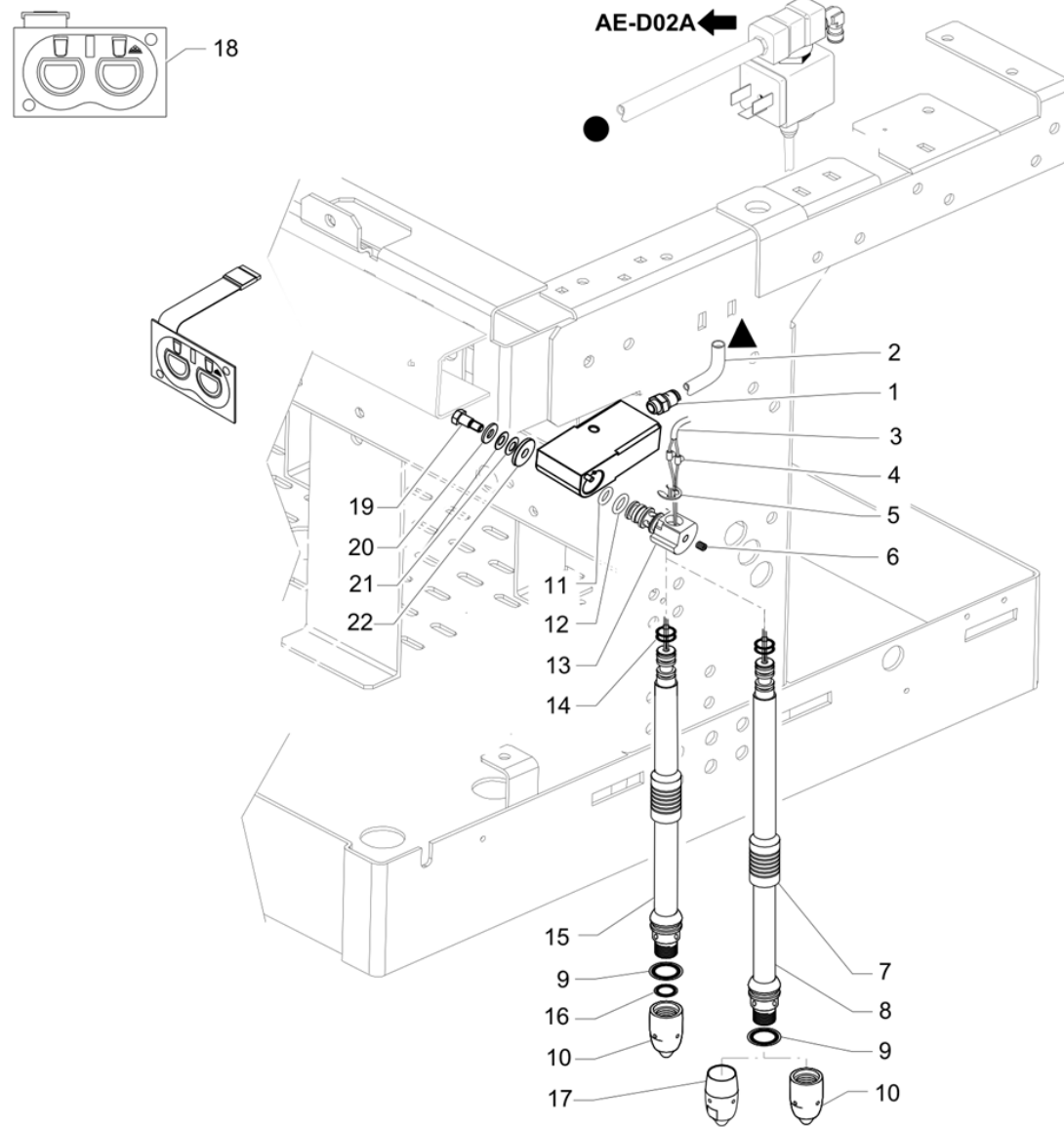
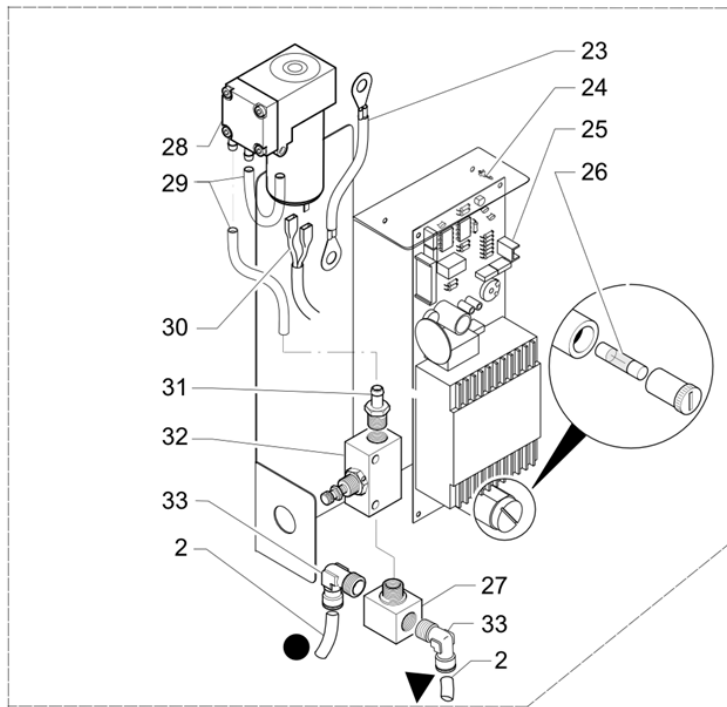
Pos	Part Number	Description	Validity	Notes
1	532651800	FAST UNION D.6		
2	484016048	CONNECTOR FOR DISPENSER		
3	401183010	GASKET 22X17X1,5 INLET VALVE		
4	485061010	STAIN LESS STEEL SPRING		
5	402209000	O-RING GASKET 10,82X1,78 NF		
6	485078010	GASKET		
7	985705000	STEAM WAND ENOVA G1	N:NSF	
7	985709010	CR STEAM TUBE FORMATION		
8	533894918	SOLENOID VALVE 3V RUB. 1/4 200 50/60	M:JP	
8	533902200	SOL.VALV. 3-2 NC VITON PARKER 1/4" G UL	N:UL,T:208	
8	533902400	SOL.VALV. 3-2 NC VITON PARKER 1/4" G UL	N:UL,T:110	
8	533895800R	SOLENOID VALVE 3G DIAM.3 1/4 220-240/50		
9	532503500R	1/4-1/4 UNION		
10	923514010	RIGHT STEAM PIPE		
10	923514018	STEAM PIPE GR1 NF	N:NSF	
11	532704200	DOUBLE CABLE TIE-RAPS		
12	220000016	SILICONE PIPE D 6X10		
13	430119010	SLEEVE		
14	402223000	O-RING 7,65X1,78 TS PROBE	N:NSF	
14	4051133431	WASHER FOR STEAMWAND		
15	485328000	VAPORISER TERMINAL DIAMETER 2		
15	485251000	STEAM NOZZLE NF	N:NSF	
16	220000022	RISLAN PIPE 4X6		
17	532653000	FAST UNION		
18	915274000	NOZZLE OF 1MM NF		
19	923517010	FILL-IN BOILER PIPE		
19	923558000	FILL-IN BOILER PIPE NF	N:NSF	
20	923769000	TEE UNION 1/4		
21	555000050R	FITTING		
22	532650900	UNION FOR TUBE 6 MM		
23	923520000	BOILER OUTLET PIPE		
23	923559000	BOILER OUTLET PIPE NF	N:NSF	
24	533799000R	SOLENOID 2G 200-208/50-60 LU	M:JP	
24	533904800F	VITON 1/8" 220/240 V 50/60 Hz EV 2 VIE N		
	⇌ 533895200R	SOLENOID VALVE 220/240 V 50 HZ VITON 1/8		
24	533904900F	VITON 1/8" 208/240 V 60 Hz EV 2 VIE NC	N:UL,T:208	
	⇌ 533896200R	SOLENOID VALVE 208-240/60 NF	N:UL,T:208	
24	533896300R	SOLENOID VALVE 100-120/60NF	N:UL,T:110	
25	485148010	RING NUT		
26	402210000	O-RING GASKET 6,75 X 1,78 NF		
27	402320000F	21X15X2 NSF SEAL		
28	985717000	WATER WAND		
29	532305000	FILTER		
30	985716020F	M22X1 JET BREAKER		

Pos	Part Number	Description	Validity	Notes
31	936960020F	WATER WAND ASSEMBLY W/PLASTIC CAP		

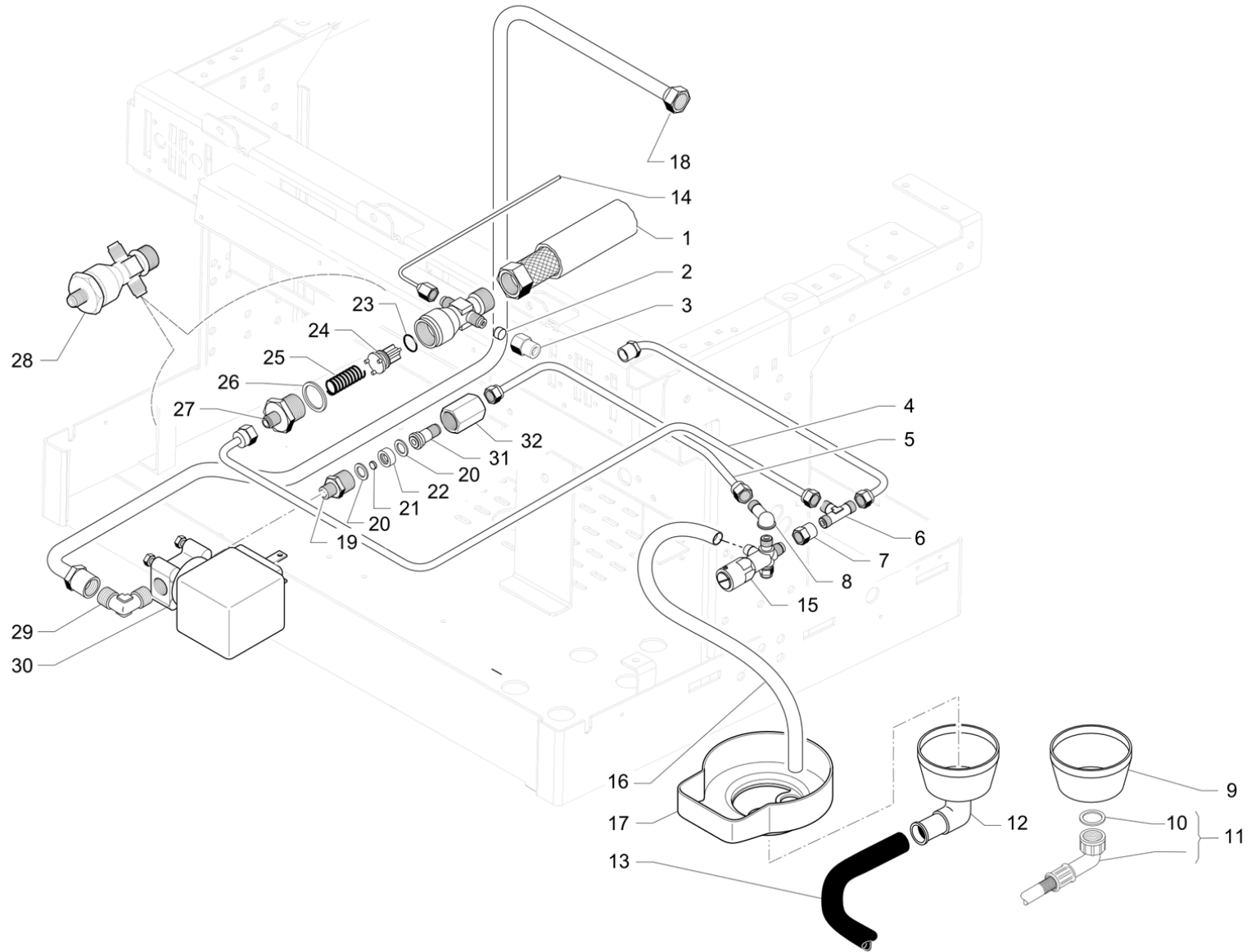


Pos	Part Number	Description	Validity	Notes
1	902298000	UNION		
2	4731030495	SPRING		
3	902299000	PIN		
4	532650900	UNION FOR TUBE 6 MM		
5	220000022	RISLAN PIPE 4X6		
6	911869000	ELECTRICAL CABLE AUTOSTEAM		
7	532149500	TERMINAL		
8	568808010	RING		
9	513006060	SCREW		
10	430119010	SLEEVE		
11	485611020	STEAM WAND WITH THERMOCOUPLE V.A.		
12	402218000	GASKET 14X1.78 NF		
13	902300010	SELECTION SHAFT BODY		
14	402216000	O-RING 9,13 X 2,62		
15	402219000	O-RING 10,78X2,62 NF		
16	485180026	ARTICULATION		
17	402217000	GASKET 8,73X1,78 NF		
18	485610020	SHORT STEAM WAND WITH THERMOCOUPLE		
19	485226050	THERMOCOUPLE STEAM BULB		
20	401204000	GASKET		
21	4731133611	CLAMP		
22	532715200	SPACER		
23	468016000	PLATE		
24	532020000	MICROSWITCH		
25	503403200	S.S. T.C.T.CR.M3X20 SCREW		
26	911310000	SPRING		
27	911564010	TAP LEVER LEFT		
28	930020010	STEAM TAP HANDLE SMART R		
29	485245000	SCREW		
30	485246000	WASHER		
31	565914720	SPRING		
32	915149000	WASHER		
33	431571000	MASS CABLE		
34	532729700	BOARD SUPPORT		
35	537060300	AUTOSTEAM BOARD SPARE PARTS KIT		
	≅ 918840010	AUTOSTEM CARD SPARE PARTS KIT		
36	530118700	DELAYED FUSE Ø5X20 125mA (ST520112)		
37	902355000	AUTOSTEAM BLOCK		
38	532503500R	1/4-1/4 UNION		
39	915813000	SERVICE BOILER-EV.TURBOSTEAM PIPE GR3		
39	915813008	ENOVA 3-GROUP AS/ML BOILER -SOLENOID VAL	N:NSF	
39	915818010	BOILER PIPE		
39	915818018	ENOVA RUVECO 2-GROUP BOILER-SOLENOID VAL	N:NSF	

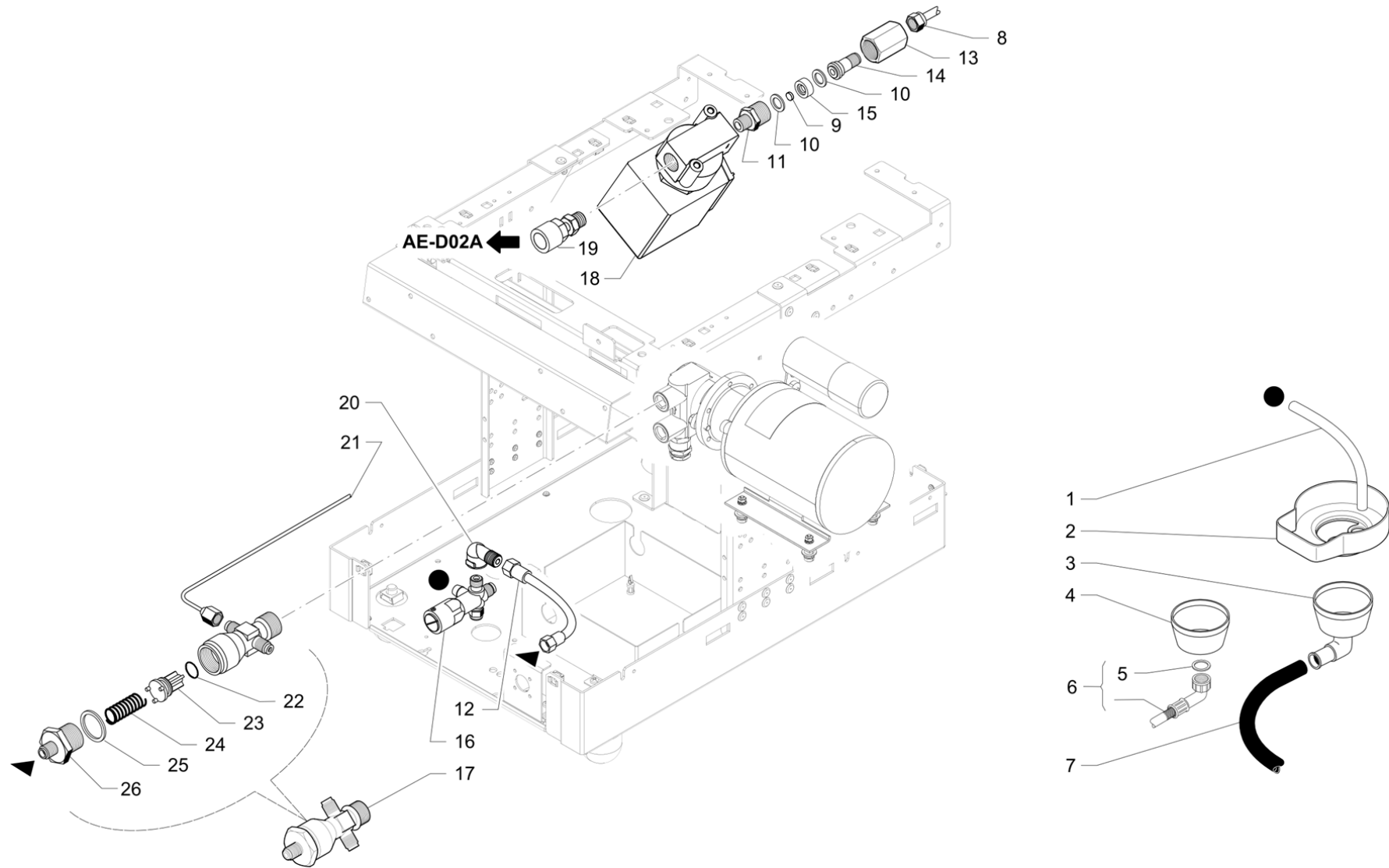
Pos	Part Number	Description	Validity	Notes
40	938897000	24 "TURBOSTEAM" COMPRESSOR		
41	220000013	SILICONE PIPE D 3X6		
42	915899008	ELECTRICAL CABLE AUTOSTEAM ENOVA		
43	532503800	1/8 GAS UNION		
44	533590700	AIR VALVE		
45	532651800	FAST UNION D.6		
46	533902200	SOL.VALV. 3-2 NC VITON PARKER 1/4" G UL N:UL		
46	533895800R	SOLENOID VALVE 3G DIAM.3 1/4 220-240/50		
47	532651100	UNION 90 6MM PIPE		
48	593060020	PLUG NUT 1/8"		



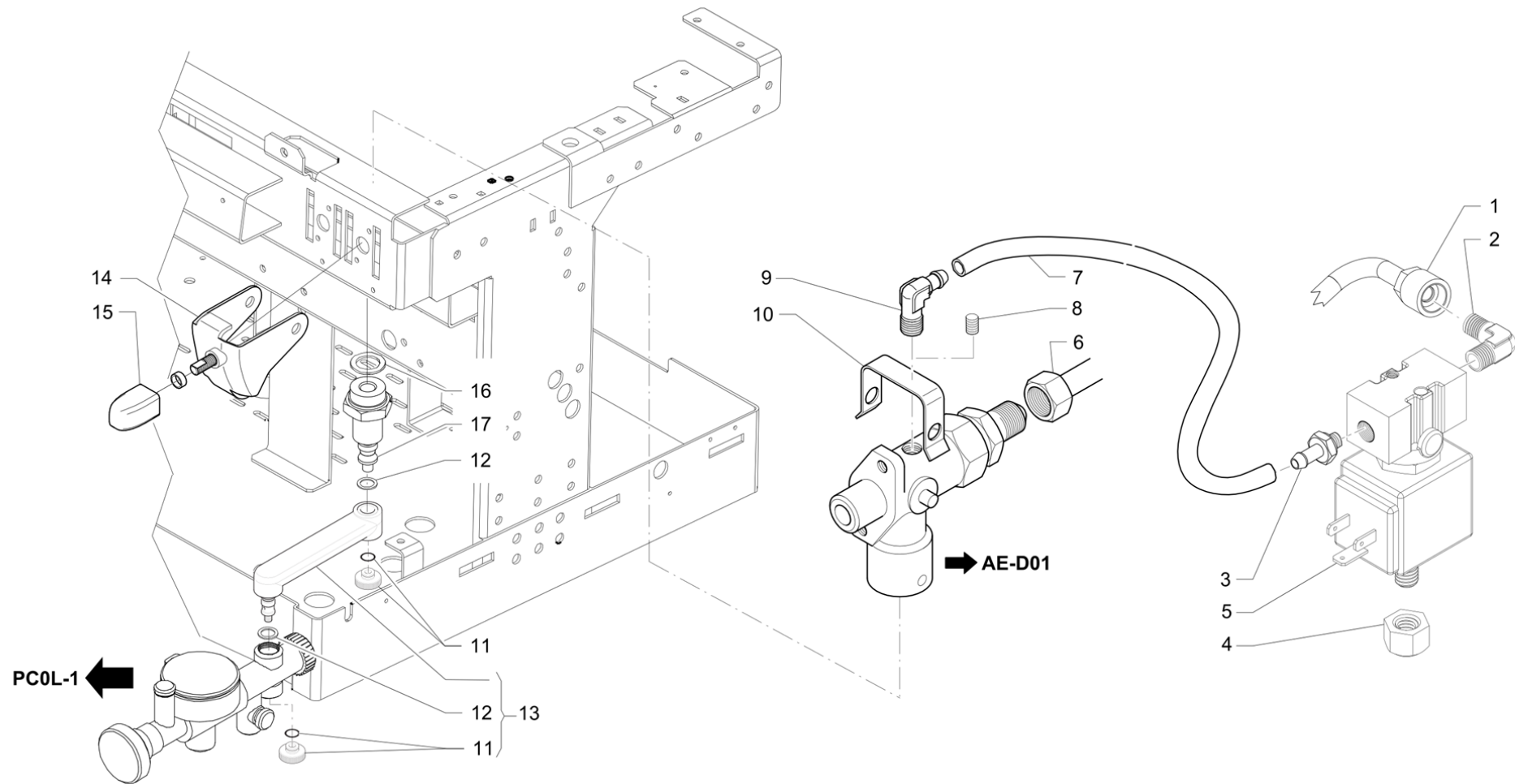
Pos	Part Number	Description	Validity	Notes
1	532650900	UNION FOR TUBE 6 MM		
2	220000022	RISLAN PIPE 4X6		
3	911869000	ELECTRICAL CABLE AUTOSTEAM		
4	532149500	TERMINAL		
5	568808010	RING		
6	513006060	SCREW		
7	430119010	SLEEVE		
8	485611020	STEAM WAND WITH THERMOCOUPLE V.A.		
9	402218000	GASKET 14X1.78 NF		
10	485226050	THERMOCOUPLE STEAM BULB		
11	402216000	O-RING 9,13 X 2,62		
12	402219000	O-RING 10,78X2,62 NF		
13	485180026	ARTICULATION		
14	402217000	GASKET 8,73X1,78 NF		
15	485610020	SHORT STEAM WAND WITH THERMOCOUPLE		
16	401204000	GASKET		
17	485244040	THERMOCOUPLE STEAM TIP (HOLES §1)	N:NSF	
18	923054000	ENOVA GR1 KEY PAD CAPPUCC./AUTOSTEAM		
18	923167010	ENOVA GR1 KEY PAD CAPPUCC./AUTOST BLACK	C:N	
19	485245000	SCREW		
20	485246000	WASHER		
21	565914720	SPRING		
22	915149000	WASHER		
23	431571000	MASS CABLE		
24	532729700	BOARD SUPPORT		
25	537060300	AUTOSTEAM BOARD SPARE PARTS KIT		
	≠ 918840010	AUTOSTEM CARD SPARE PARTS KIT		
26	530118700	DELAYED FUSE Ø5X20 125mA (ST520112)		
27	902355000	AUTOSTEAM BLOCK		
28	938897000	24 "TURBOSTEAM" COMPRESSOR		
29	220000013	SILICONE PIPE D 3X6		
30	923721000	ELECTRICAL CABLE AUTOSTEAM ENOVA GR1		
31	532503800	1/8 GAS UNION		
32	533590700	AIR VALVE		
33	532651800	FAST UNION D.6		



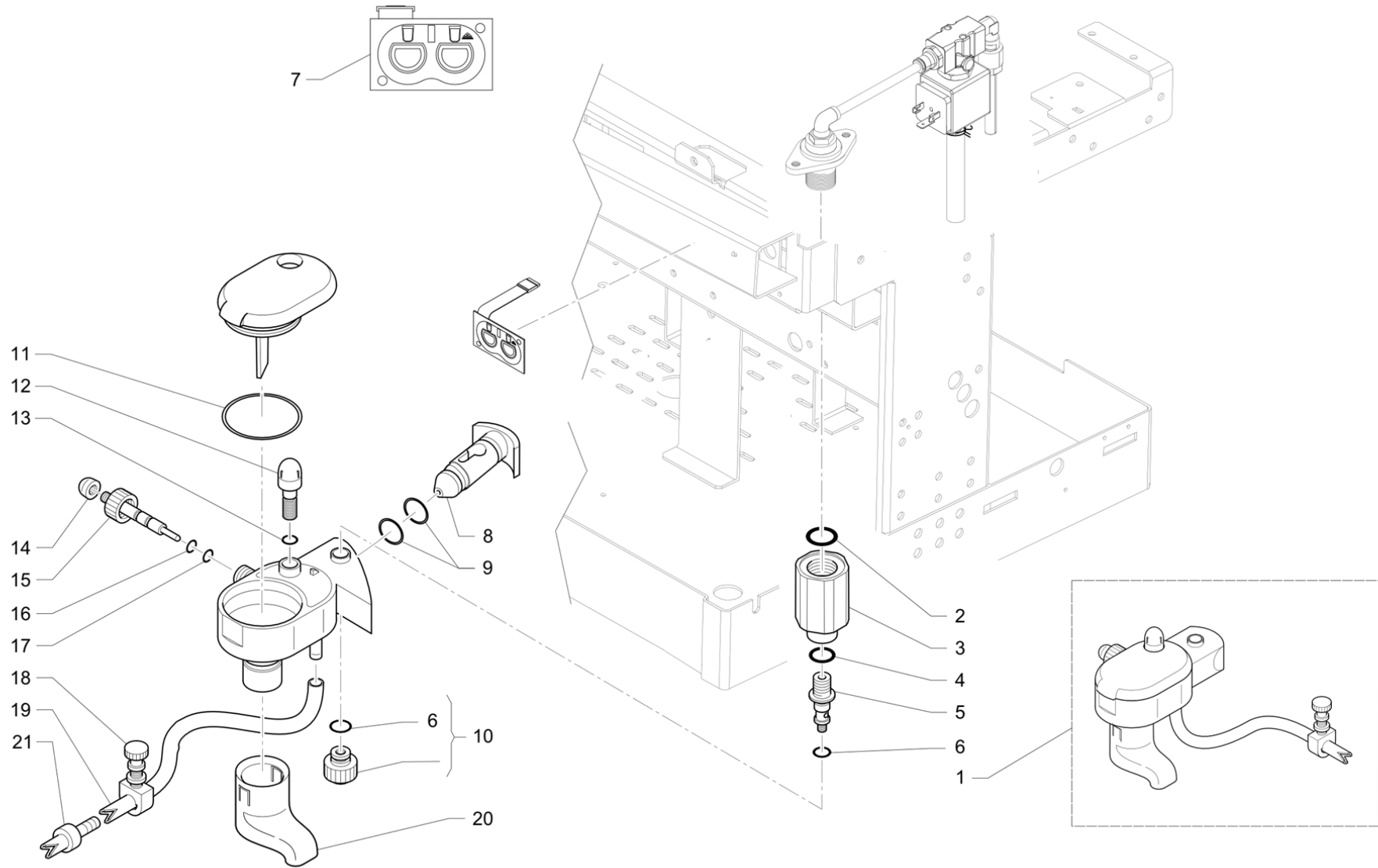
Pos	Part Number	Description	Validity	Notes
1	922802000	VALVE BLOCK-PUMP TUBE NF	N:NSF	
1	2951136531	VALVE BLOCK-PUMP TUBE		
2	592029000R	PIPE UNION BLIND		
3	555000010	COVER		
4	915730000	TUBE		
4	915929000	TUBE	N:NSF	
5	915731000	TUBE FILL SOLENOID VALVE/BOILER		
5	915930000	TUBE FILL SOLENOID VALVE/BOILER NF	N:NSF	
6	555000050R	FITTING		
7	555000035R	FITTING		
8	532501600R	FITTING 1/8 F		
9	990073000	DRAIN CONNECTION		
10	532600600	GASKET		
11	532390600	DRAIN PIPE		
12	4831132932	DRAIN CONNECTION		
13	4951132933	REINF.DRAIN PIPE (D.24X18)		
14	3951133673	TUBE FOR GAUGE		
15	415932010	EXPANSION VALVE		
15	993761000F	EXPANSION VALVE ASSEMBLY NSF	N:NSF	
16	220000016	SILICONE PIPE D 6X10		
17	4831134635	DRAIN UNION UPPER PART		
18	915727000	TUBE FILL SOLENOID VALVE/BOILER		
18	925730000	TUBE FILL SOLENOID VALVE/BOILER NF	N:NSF	
19	590533008	NIPPLES DOUBLE 3/8X1/8		
20	401234000	GASKET COPPER		
21	481361000	FILTER WITH HOLDER 9X1.5 INOX		
22	937108000F	JET NOZZLE Ø 0.8		
	⇒ 903143000	JET 0,8MM. INOX		
23	402216000	O-RING 9,13 X 2,62		
24	418012028	SHORT VALVE		
25	418014000	SPRING FOR VALVE		
26	400335010	GASKET 21X24,5X1,5		
27	419084000	NIPPLES DOUBLE 1/8 - 1/2		
28	993760000F	CHECK VALVE ASSEMBLY 3/8" - 1/8"	N:NSF	
28	418935030	CHECK VALVE		
29	555000074R	FITTING		
30	533904800F	VITON 1/8" 220/240 V 50/60 Hz EV 2 VIE N		
	⇒ 533895200R	SOLENOID VALVE 220/240 V 50 HZ VITON 1/8		
30	533904900F	VITON 1/8" 208/240 V 60 Hz EV 2 VIE NC	N:UL,T:208	
	⇒ 533896200R	SOLENOID VALVE 208-240/60 NF	N:UL,T:208	
31	592036018	SPECIAL UNION RUV		
32	590021000	FITTING 3/8 GAS BRASS		



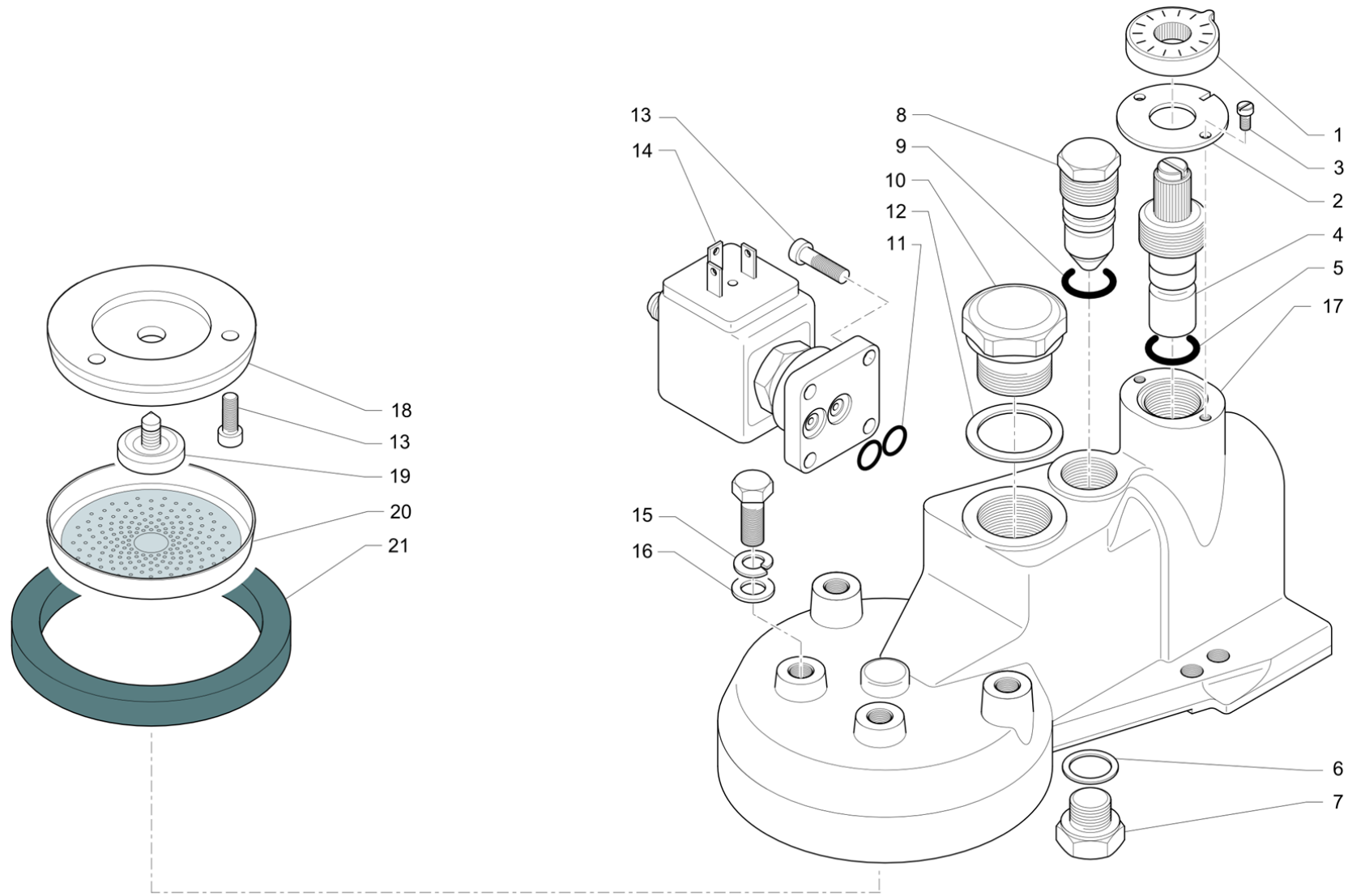
Pos	Part Number	Description	Validity	Notes
1	220000016	SILICONE PIPE D 6X10		
2	911250000	DRAIN UNION UPPER PART		
3	4831132932	DRAIN CONNECTION		
4	990073000	DRAIN CONNECTION		
5	532600600	GASKET		
6	532390600	DRAIN PIPE		
7	4951132933	REINF.DRAIN PIPE (D.24X18)		
8	923515000	TUBE FILL SOLENOID VALVE/BOILER		
8	923556000	TUBE FILL SOLENOID VALVE/BOILER NF	N:NSF	
9	481361000	FILTER WITH HOLDER 9X1.5 INOX		
10	401234000	GASKET COPPER		
11	590533008	NIPPLES DOUBLE 3/8X1/8		
12	532302200	GRATING PIPE 1/8 MM 220		
13	590021000	FITTING 3/8 GAS BRASS		
14	592036018	SPECIAL UNION RUV		
15	937108000F	JET NOZZLE Ø 0.8		
	⇒ 903143000	JET 0,8MM. INOX		
16	993761000F	EXPANSION VALVE ASSEMBLY NSF	N:NSF	
16	415932010	EXPANSION VALVE		
17	993760000F	CHECK VALVE ASSEMBLY 3/8" - 1/8"	N:NSF	
17	418935030	CHECK VALVE		
18	533799000R	SOLENOID 2G 200-208/50-60 LU	M:JP	
18	533904800F	VITON 1/8" 220/240 V 50/60 Hz EV 2 VIE N		
	⇒ 533895200R	SOLENOID VALVE 220/240 V 50 HZ VITON 1/8		
18	533904900F	VITON 1/8" 208/240 V 60 Hz EV 2 VIE NC	N:UL,T:208	
	⇒ 533896200R	SOLENOID VALVE 208-240/60 NF	N:UL,T:208	
18	533896300R	SOLENOID VALVE 100-120/60NF	N:UL,T:110	
19	431603000	ADJUSTABLE NIPPLE 1/8M-1/4		
20	532501600R	FITTING 1/8 F		
21	3951133673	TUBE FOR GAUGE		
22	402216000	O-RING 9,13 X 2,62		
23	418012028	SHORT VALVE		
24	418014000	SPRING FOR VALVE		
25	400335010	GASKET 21X24,5X1,5		
26	419084000	NIPPLES DOUBLE 1/8 - 1/2		



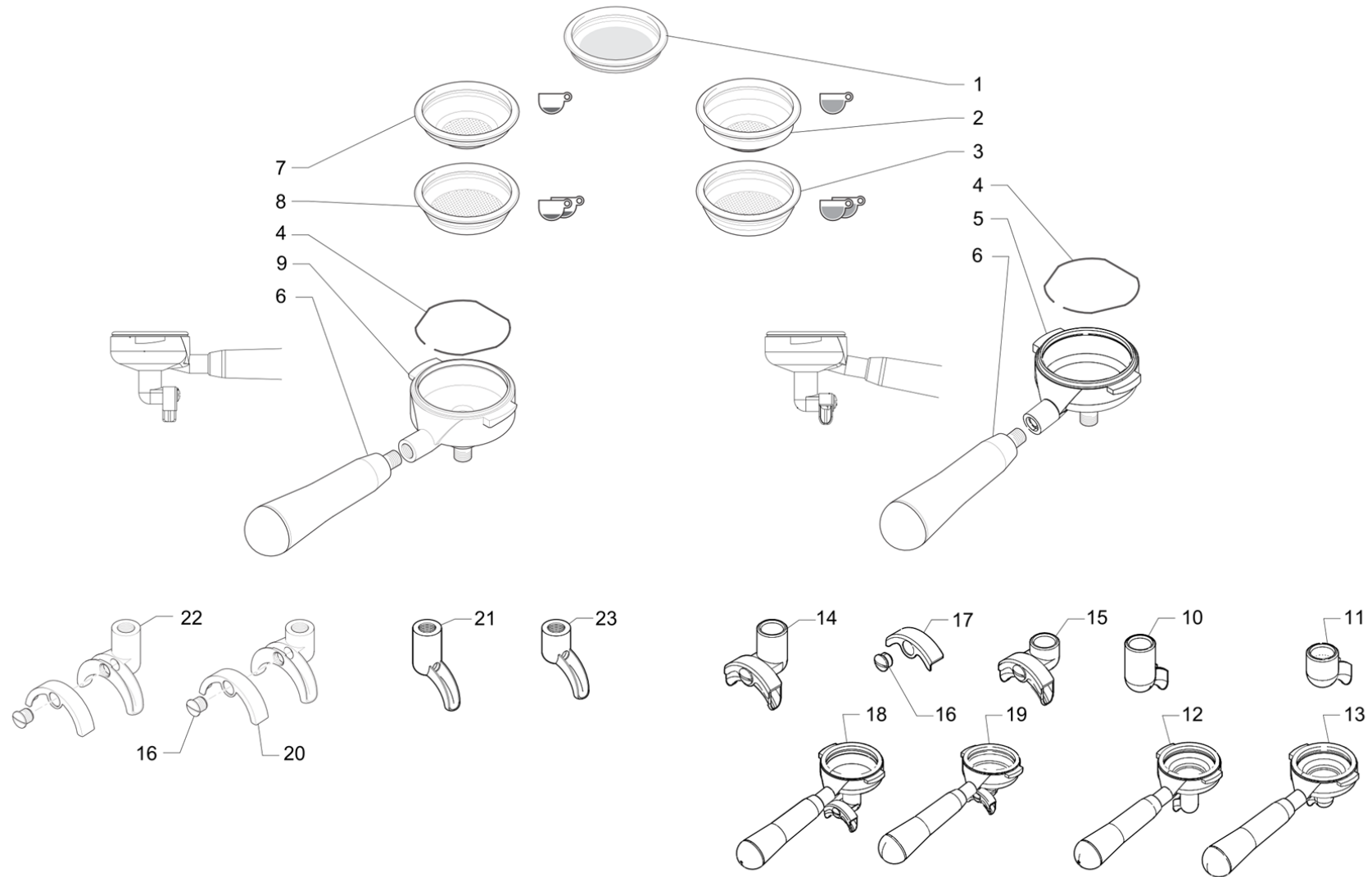
Pos	Part Number	Description	Validity	Notes
1	915813000	SERVICE BOILER-EV.TURBOSTEAM PIPE GR3		
1	915813008	ENOVA 3-GROUP AS/ML BOILER -SOLENOID VAL	N:NSF	
1	915818010	BOILER PIPE		
1	915818016	BOILER PIPE NF	N:NSF	
2	532503500R	1/4-1/4 UNION		
3	591487008	UNION 1/4 RUV		
4	593060020	PLUG NUT 1/8"		
5	533902200	SOL.VALV. 3-2 NC VITON PARKER 1/4" G UL	N:UL,T:208	
5	533895800R	SOLENOID VALVE 3G DIAM.3 1/4 220-240/50		
6	915970000	STEAM PIPE GR3		
6	915970006	STEAM PIPE GR3 NF	N:NSF	
6	915971000	BOILER-STEAM TAP RIGHT PIPE		
6	915971006	BOILER-STEAM TAP RIGHT PIPE NF	N:NSF	
7	220000016	SILICONE PIPE D 6X10		
8	532501300R	SCREW SO-40371-1/8		
9	591410008	FITTING		
10	4731133611	CLAMP		
11	990855000	RING NF		
12	402210000	O-RING GASKET 6,75 X 1,78 NF		
13	915935000	EXTENSION CAPPUCCINO RUBBER PLATED NF		
14	911564010	TAP LEVER LEFT		
15	930020010	STEAM TAP HANDLE SMART R		
16	4701116694	GASKET		
17	4121132359	FITTING FOR CAPPUCCINATORE		



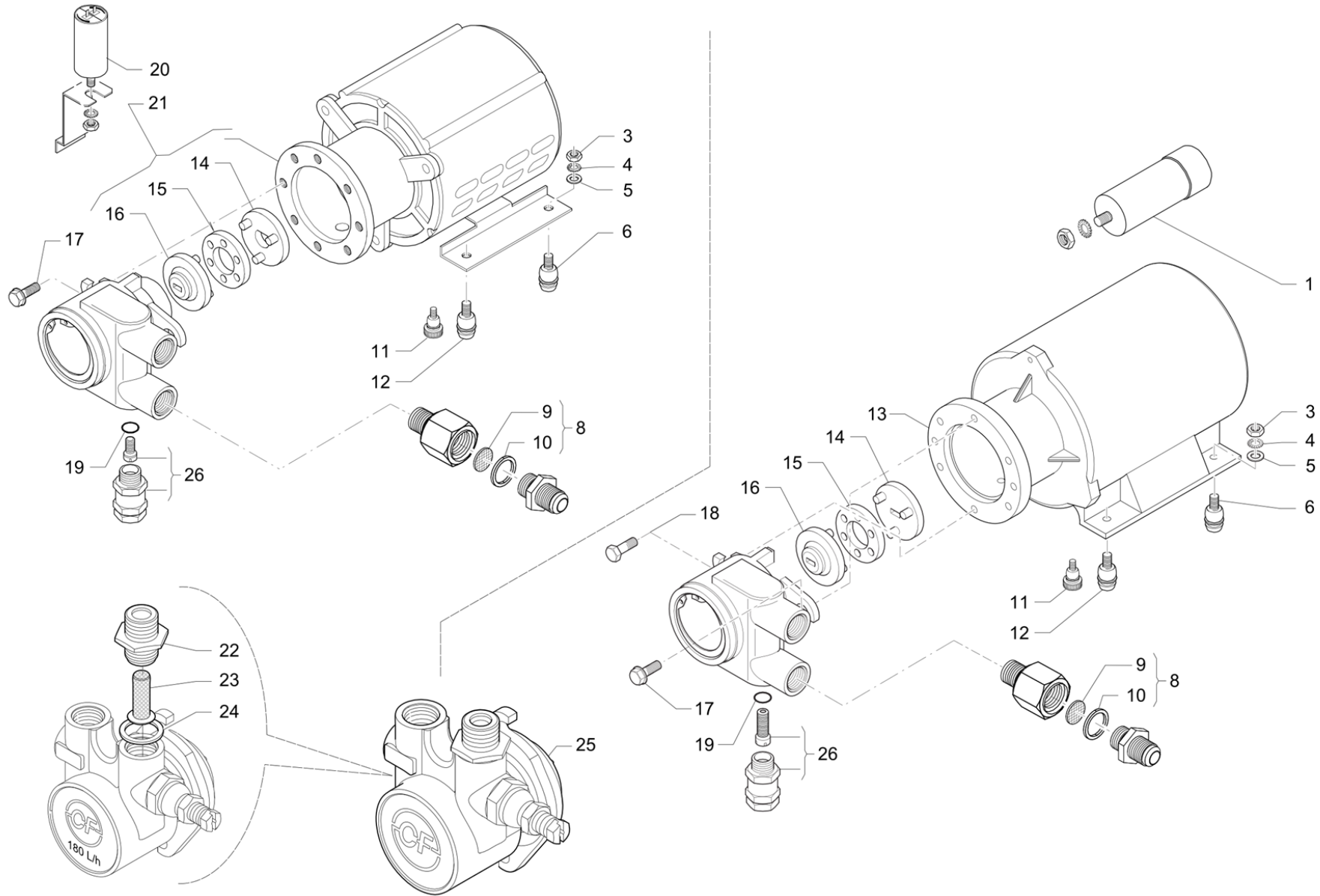
Pos	Part Number	Description	Validity	Notes
1	537033110	NEW MILK FROTHER		
	⇌ 537033100	MILK-FROTHER		
2	401183010	GASKET 22X17X1,5 INLET VALVE		
3	923056000	CONNECTION		
4	401195010	GASKET 14,5X10,2X1,5		
5	902028000	FITTING FOR FROTHER		
6	402210000	O-RING GASKET 6,75 X 1,78 NF		
7	923054000	ENOVA GR1 KEY PAD CAPPUCC./AUTOSTEAM		
7	923167010	ENOVA GR1 KEY PAD CAPPUCC./AUTOST BLACK	C:N	
8	433100000	DEFUSER		
9	402197000	O-RING 8,9 X 2,7		
10	990855000	RING NF		
11	402241000	O-RING 34,65 X 1,78		
12	433101000	AIR ADJUSTMENT SCREW		
13	402249000	O-RING 5,28X1,78		
14	433104007	FROTHER HANDLE		
15	433072007	RING NUT		
16	402250000	GASKET 3,68 X 1,78 INTERMEDIATE TS		
17	401368000	GASKET 2,90X1,78		
18	537024600	NOZZLE NEW		
19	484391000	4,8X7,9X1000 SILICON PIPE		
20	433510000	MILK FROTHER NOZZLE		
21	4831119836	NOZZLE 2,5 MM CAPPUCCINO		



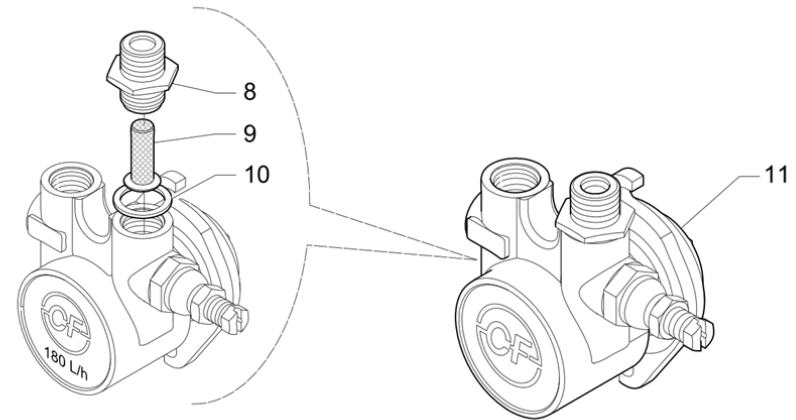
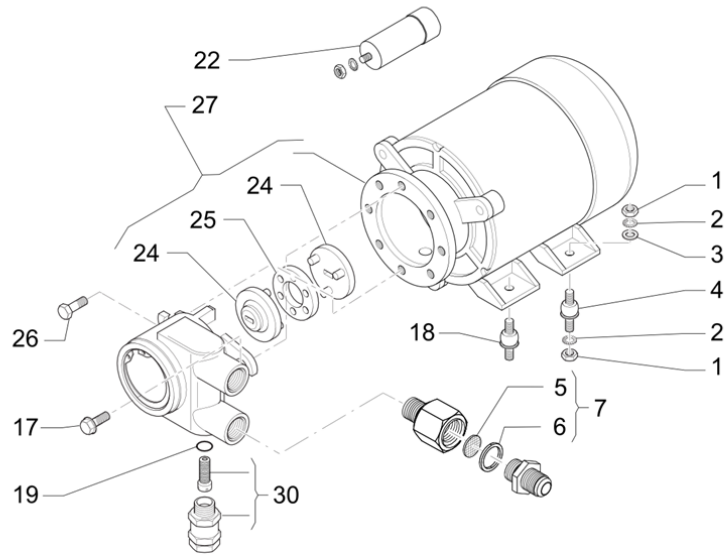
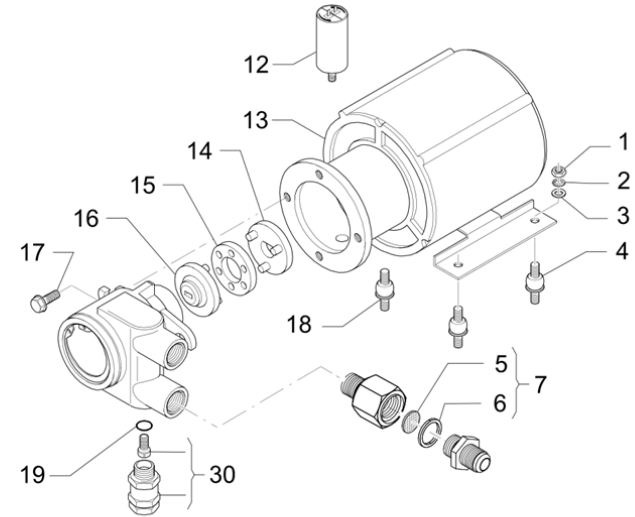
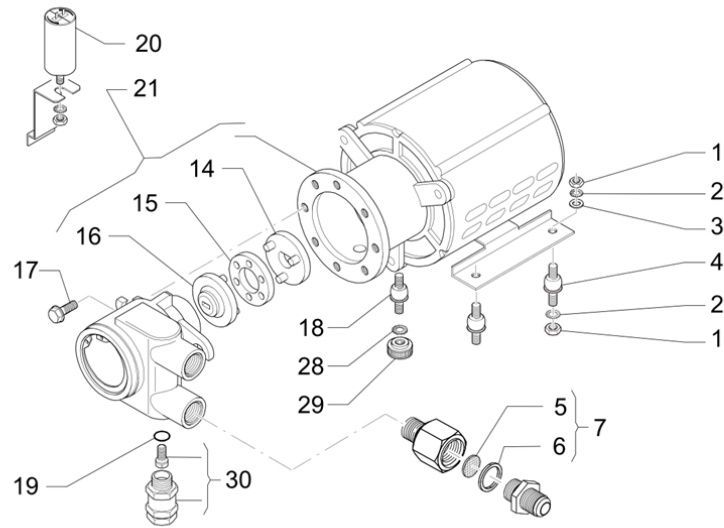
Pos	Part Number	Description	Validity	Notes
1	4991136527	TERMIC REGULATION PIN		
2	4811136587	STOP DISCH		
3	502703066	3X6 TCTC S.S. SCREW		
4	4811135787	SCREW		
5	401320000	O-RING 7.5X2.62		
5	402194000	O-RING 7.5X2.62 NF	N:NSF	
6	4701116692	GASKET		
7	457344000	PLUG		
8	922785000	GROUP NOZZLE 0,7 MM NF		
9	402197000	O-RING 8,9 X 2,7	N:NSF	
9	4701116687	O-RING		
10	457343000	PLUG		
11	402198000	GASKET SOLENOID VALVE	N:NSF	
11	402291000	OR 5.7 x 1.9 NBR 70 NSF		
12	4701116694	GASKET		
13	4001051934	SCREW M 4 X 10		
14	533795910R	SOLENOID VALVE	M:JP	
14	533892500R	SOLENOID VALVE	N:UL,T:208	
14	533893200R	SOLENOID VALVE 120/60 NF	N:UL,T:110	
14	533894600R	SOLENOID VALVE		
15	565801041	WASHER 6,7		
16	4054043102	WASHER		
17	457430008F	FAEMA DISPENSER GROUP W/ADJ W/RUV DISP D		
	⇌ 457339038	BODY ADJUSTER WITH ADJUSTMENT GROUP		
17	457431008F	FAEMA DISPENSER GROUP W/ADJ W/NSF DISP D	N:NSF	
	⇌ 457387008F	NSF GROUP WIHT REGULATION	N:NSF	
18	457341008	DISC FOR GROUP		
18	457388008F	NSF DISPENSER GROUP DISC	N:NSF	
19	457342000	WATER DISTRIBUTER GROUP IN BRASS		
20	457560000	SHOWER GROUP		
21	402199010	GROUP GASKET		



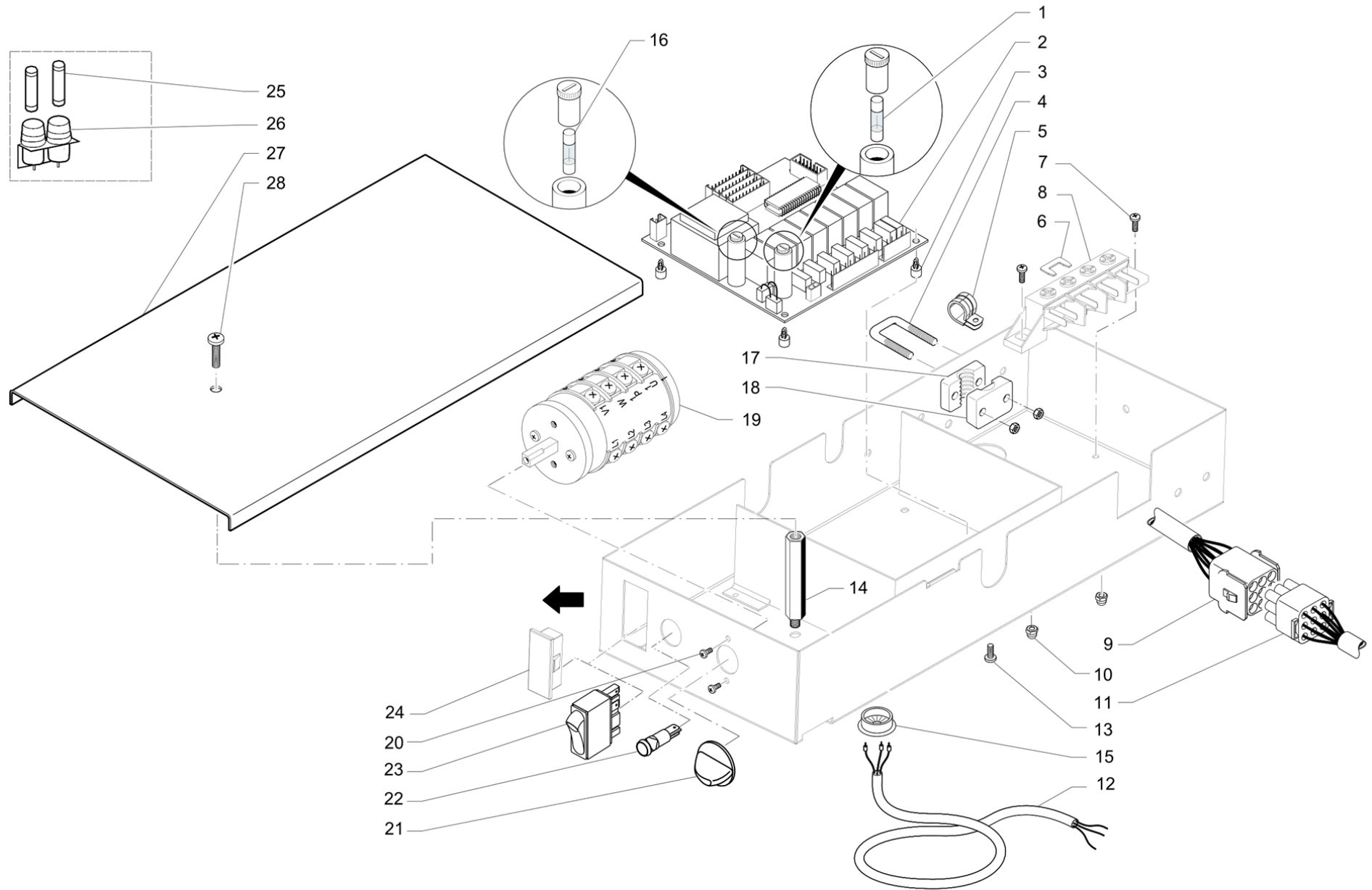
Pos	Part Number	Description	Validity	Notes
1	800021902	SHOWER WASCHER BLIND FILTER		
2	457368000	COFFEE FILTER 1 CUP		
3	457369000	2-CUP FILTER		
4	457874000	SPRING FOR LOCKING THE COFFEE FILTER		
5	457355017	FILTERHOLDER BODY		
5	457395017F	FILTER-HOLDER BODY NSF	N:NSF	
	⇒ 457395007F	NSF FILTER HOLDER BODY	N:NSF	
6	3831091811	FILTER HOLDER KNOB FORM.		
7	457367000	1-CUP FILTER LOW		
8	4771016575	FILTER 2 CUPS LOW		
9	4772117321	FILTER-HOLDER BODY		
10	457360017	SPOUT 1 CUP ITALY SHORT		
11	457358017	1 WAY SPOUT		
11	958254017	1 WAY SPOUT	N:NSF	
12	457889070	1-WAY (I) FILTER-HOLDER ASSY		
	⇒ 457889020	FILTERHOLDER DIPL. ITALY		
12	957712010	1 WAY FILTERHOLDER LEFT ITALY NSF	N:NSF	
13	457887070	1-WAY (E) FILTER-HOLDER ASSY		
	⇒ 457887020	1 WAY FILTERHOLDER (FOREIGN)		
13	957769010F	1-WAY (E) FILTER-HOLDER ASSY	N:NSF	
	⇒ 957769000F	1-WAY (E) NSF FILTER-HOLDER ASSEMBLY	N:NSF	
13	957706030	1-WAY FILTER-HOLDER - JAPAN	M:JP	
	⇒ 957706020	1 WAY FILTERHOLDER JPN	M:JP	
14	457894020	COMPLETE 2 WAY SPOUT		
15	457895020	SPOUT DOUBLE SHORT		
16	4142011678	SPOUT HOLE CLOSING PLUG		
17	457357007	SPOUT COVER		
17	958253007	SPOUT COVER NF	N:NSF	
18	457888070	2-WAY (I) FILTER-HOLDER ASSY		
	⇒ 457888020	FILTERHOLDER 2 CUPS ITALY DIPL.		
18	957710010	2 WAY FILTERHOLDER ITALY NSF	N:NSF	
19	457886070	2-WAY (E) FILTER-HOLDER ASSY		
	⇒ 457886020	2 WAY FILTERHOLDER (FOREIGN)		
19	957770000F	2-WAY (E) NSF FILTER HOLDER	N:NSF	
19	957705030	2-WAY FILTER-HOLDER FORM. JPN	M:JP	
	⇒ 957705020	2 WAY FILTERHOLDER JPN	M:JP	
20	4162015073	SPOUT COVER		
21	4822130085	SPOUT 1 CUP ITALY SHORT		
22	911335006	SPOUT DOUBLE SHORT NF		
23	990026006	SPOUT ONE WAY NF		



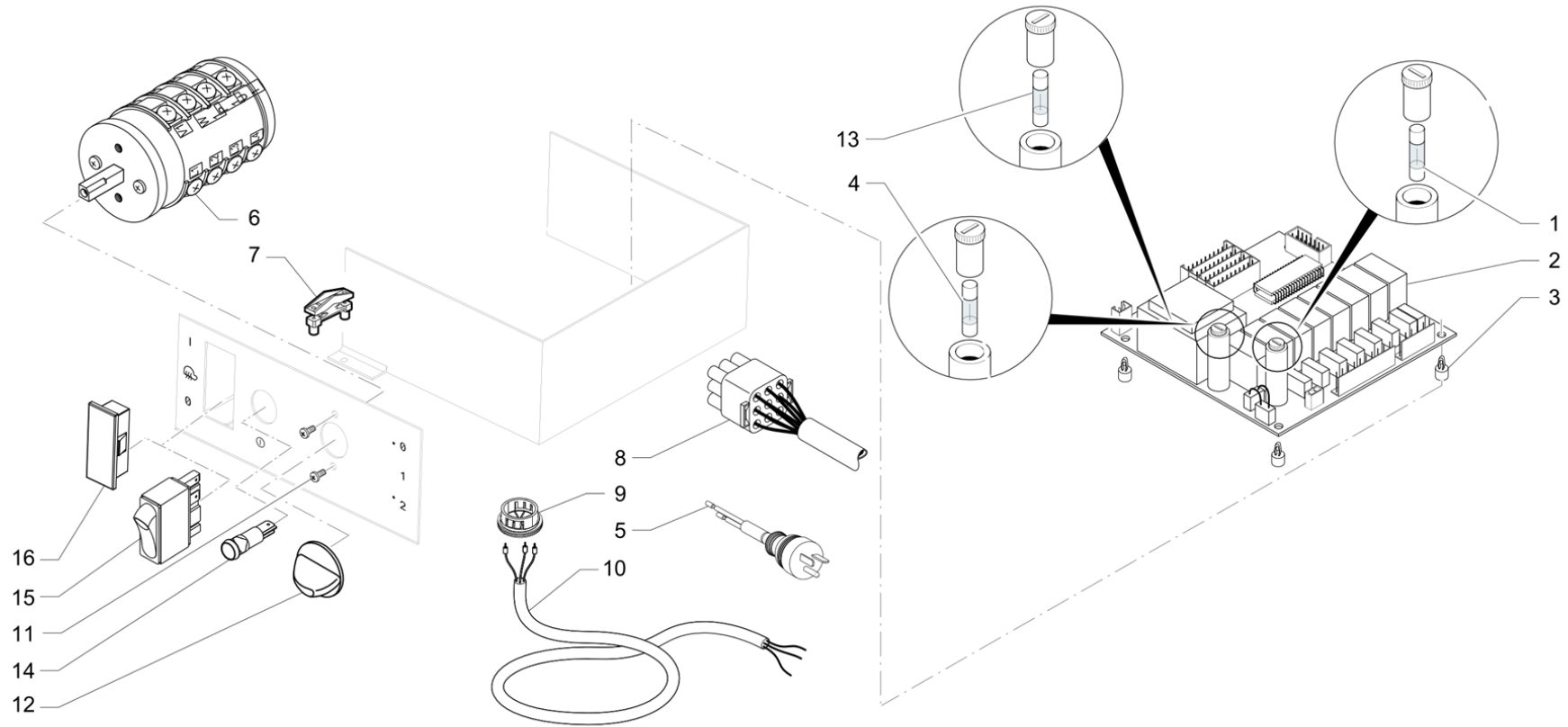
Pos	Part Number	Description	Validity	Notes
1	531492700	CAPACITOR 4MF	N:UL	
1	531492800	CAPACITOR 5 MF	N:UL	
3	542904040	NUT M4 S.S.		
4	562204000	WASHER D. 4		
5	4054043100	WASHER FLAT 4,3X9		
6	3251133417	RUBBER ANTIVIBRATION		
8	925783010	PUMP FILTER		
9	490055000	FILTER		
10	400335010	GASKET 21X24,5X1,5		
11	532741400	KNOB M4		
12	3251133418	RUBBER ANTIVIBRATION		
13	2441133416	PUMP 220/50 HORIZ. MOTOR UL	N:UL	
14	4821023082	MOTOR JOINT		
15	4081021923	RING		
16	4821108987	PUMP JOINT		
17	593793001	SCREW M6 X 16 WITH PROFILE		
18	4004136622	SCREW M6		
19	4701029003	GASKET		
20	531492400	CAPACITOR 10MF		
20	531494700	CONDENSER 10 uF	N:KTL	
21	462987002	PUMP MOTOR 220-240V/50-60HZ		
22	533100600	JOINT 3/8X3/8		
23	533100400	INSIDE FILTER		
24	401183010	GASKET 22X17X1,5 INLET VALVE		
25	533180010	180 L/h VOLUMETRIC PUMP INOX W/FILTER		
26	537036820	BY-P CONFIGURATION		
	⇒ 537036810	BY-PASS WITH VALVE		



Pos	Part Number	Description	Validity	Notes
1	4031045276	NUT		
2	562204000	WASHER D. 4		
3	4054043100	WASHER FLAT 4,3X9		
4	3251133417	RUBBER ANTIVIBRATION		
5	490055000	FILTER		
6	400335010	GASKET 21X24,5X1,5		
7	925783010	PUMP FILTER		
8	533100600	JOINT 3/8X3/8		
9	533100400	INSIDE FILTER		
10	401183010	GASKET 22X17X1,5 INLET VALVE		
11	533180010	180 L/h VOLUMETRIC PUMP INOX W/FILTER		
12	531492900	CAPACITOR 10mF	N:UL	
13	530299720	POMP MOTOR UL	N:UL	
14	4821023082	MOTOR JOINT		
15	4081021923	RING		
16	4821108987	PUMP JOINT		
17	593793001	SCREW M6 X 16 WITH PROFILE		
18	3251133418	RUBBER ANTIVIBRATION		
19	4701029003	GASKET		
20	531492400	CAPACITOR 10MF		
21	462987002	PUMP MOTOR 220-240V/50-60HZ		
22	531492700	CAPACITOR 4MF		
22	531492800	CAPACITOR 5 MF		
24	4821135956	CONNECTION		
25	4081135955	RING		
26	4004136622	SCREW M6		
27	903061000	MOTOR PUMP		
28	4041043181	WASHER		
29	532741400	KNOB M4		
30	537036820	BY-P CONFIGURATION		
	⇒ 537036810	BY-PASS WITH VALVE		



Pos	Part Number	Description	Validity	Notes
1	3501117396	FUSE 5X20 4A		
2	952846010	ELECTRONIC BOARD		
3	532147700	BOARD SUPPORT		
4	532160200	FORK		
5	532170400	FIXCABLE		
6	532163000	JUMPER		
7	501804100	M4X10 T.C.T.CR. SCREW		
8	532161500	TERMINAL BOARD		
9	915811008	WIRING POWER BOX ENOVA		
10	541904850	NUT		
11	915896028	WIRING POWER BOX ENOVA		
11	915897028	WIRING POWER BOX ENOVA		
12	530114300	WIRING	N:UL	
12	902177000	UL POWER CABLE	N:UL	
12	3341133613	FEED IN CABLE		
12	973078000	POWER SUPPLY CABLE	N:KTL	
13	502704086	M4X8 T.C.T.CR. SCREW		
14	915023000	COVER SPACER		
15	532160500	MEMBRANE CABLE LAY		
15	532170500	MEMBRANE CABLE LAY	N:UL	
16	3501117399	FUSE 5X20 0,1A		
17	532160300	FIXED CABLE PRESS		
18	532160400	MOBILE CABLE PRESS		
19	532020208	MAIN SWITCH		
20	503403050	SCREW		
21	3529133899	KNOB GENERAL SWITCH BLACK		
22	3402133614	LIGHT UL GREEN		
23	990888000	BIPOLAR LIGHTING SWITCH		
24	915102010	CAP		
25	530112200	FUSE CC15 A	N:UL	
26	530111000	FUSE HOLDER	N:UL	
27	915022004	EL.BOX COVER		
28	503404080	M4X8 T.C.T.C. SCREW		



Pos	Part Number	Description	Validity	Notes
1	3501117396	FUSE 5X20 4A		
2	952846010	ELECTRONIC BOARD		
2	537060700	BASE BOARD	N:UL,T:110	
	≡ 959713000	CPU BASE BOARD 120 V	N:UL,T:110	
3	532147700	BOARD SUPPORT		
4	3501117399	FUSE 5X20 0,1A		
5	532172200	FEED IN POWER CABLE 3X12 AWG 125V 20A	N:UL	
6	532011608	MAIN SWITCH		
7	532123300	CORD FIXING LOCK		
8	923713018	BASE 1 GR WIRING		
9	532160500	MEMBRANE CABLE LAY		
10	530112100	SUPPLY WIRE		
10	530112900	WIRE	N:UL	
11	503403050	SCREW		
12	3529133899	KNOB GENERAL SWITCH BLACK		
13	530118700	DELAYED FUSE Ø5X20 125mA (ST520112)	N:UL	
14	3402133614	LIGHT UL GREEN		
15	990888000	BIPOLAR LIGHTING SWITCH		
16	915102010	CAP		

Pos	Part Number	Description	Validity	Notes
-	915173000	ENOVA A KEY PAD		
-	915201000	ENOVA S KEY PAD		
-	915219000	ENOVA A KEY PAD C/CAPP.		
-	952846010	ELECTRONIC BOARD		
-	537060300	AUTOSTEAM BOARD SPARE PARTS KIT		