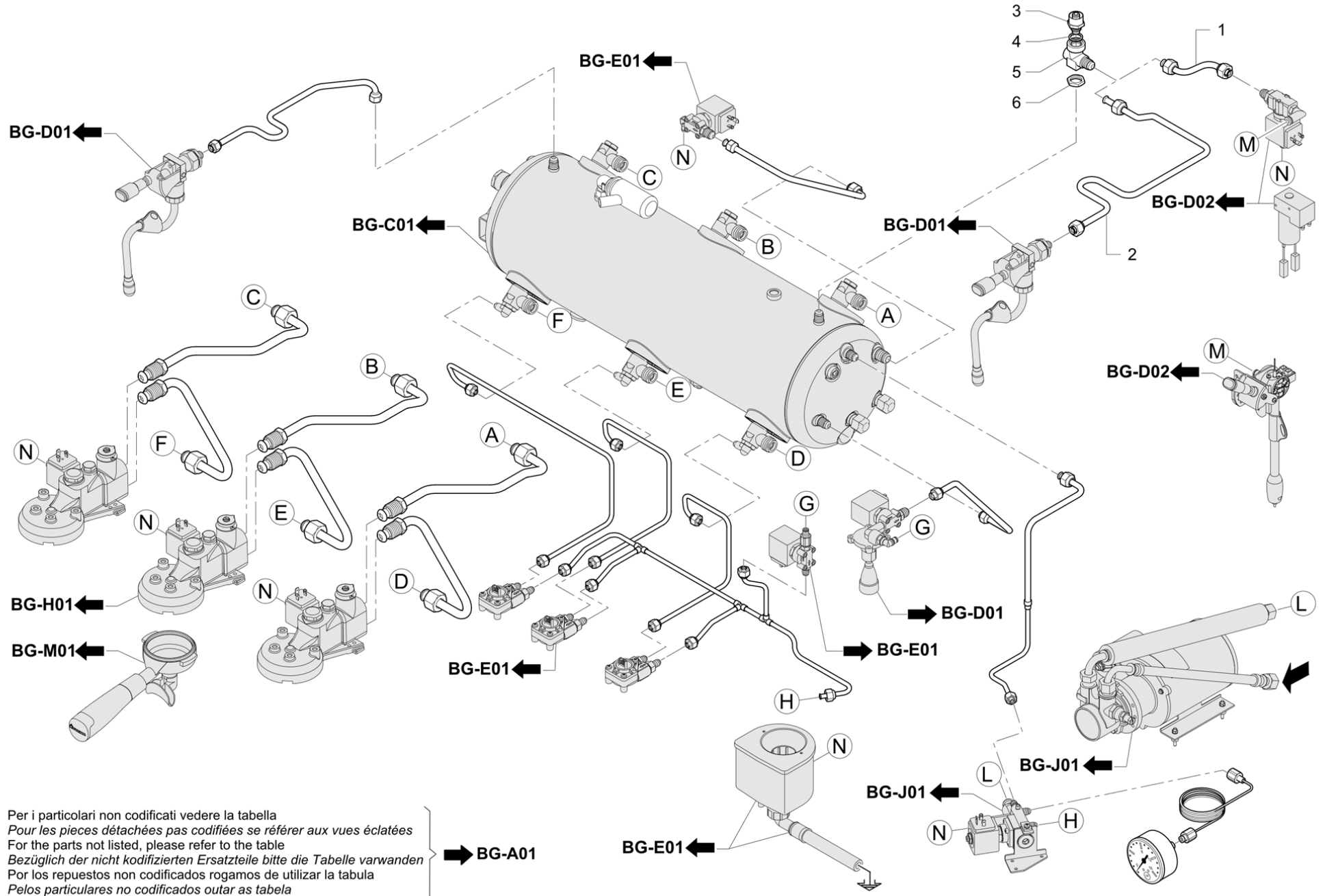
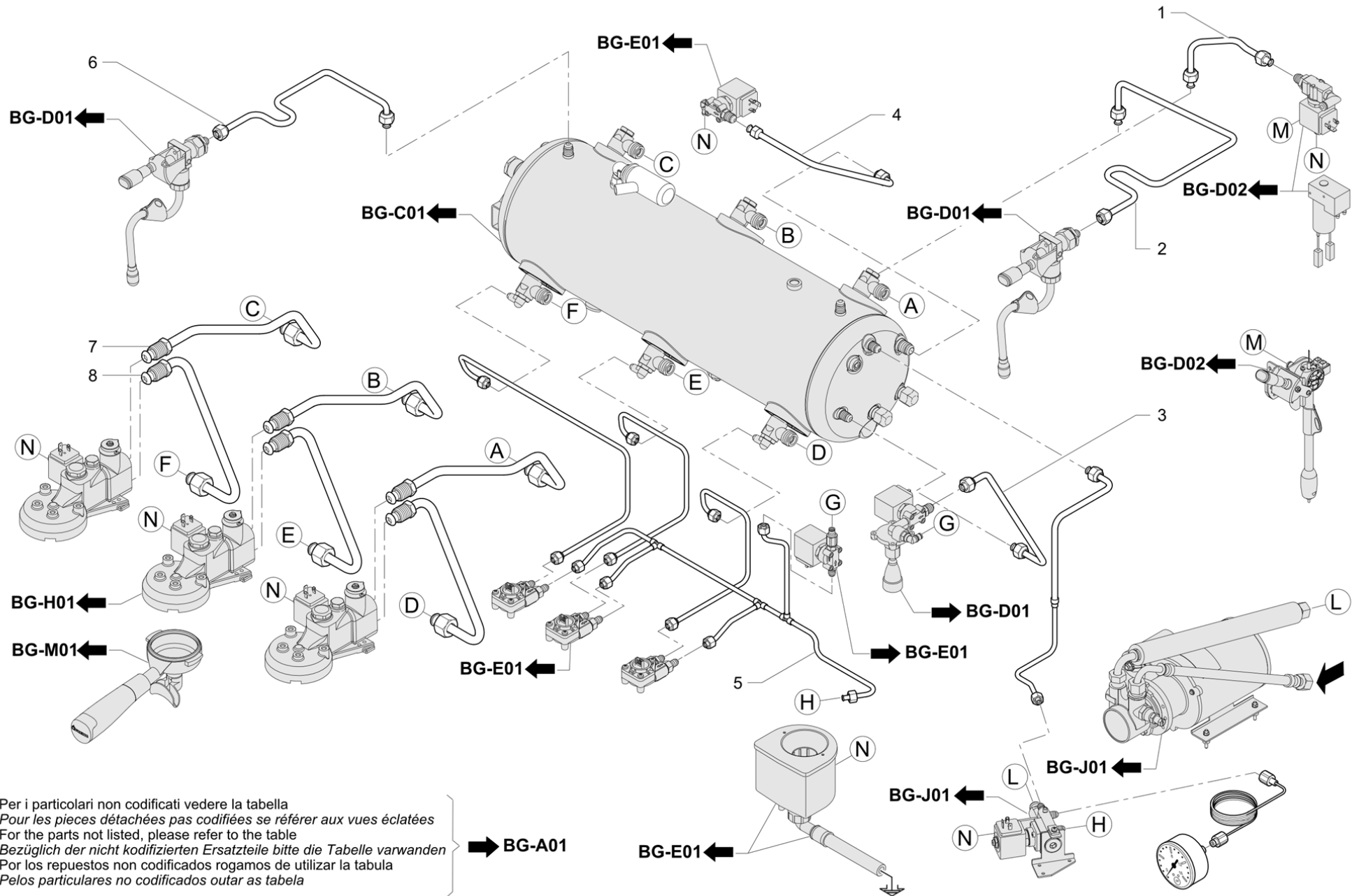


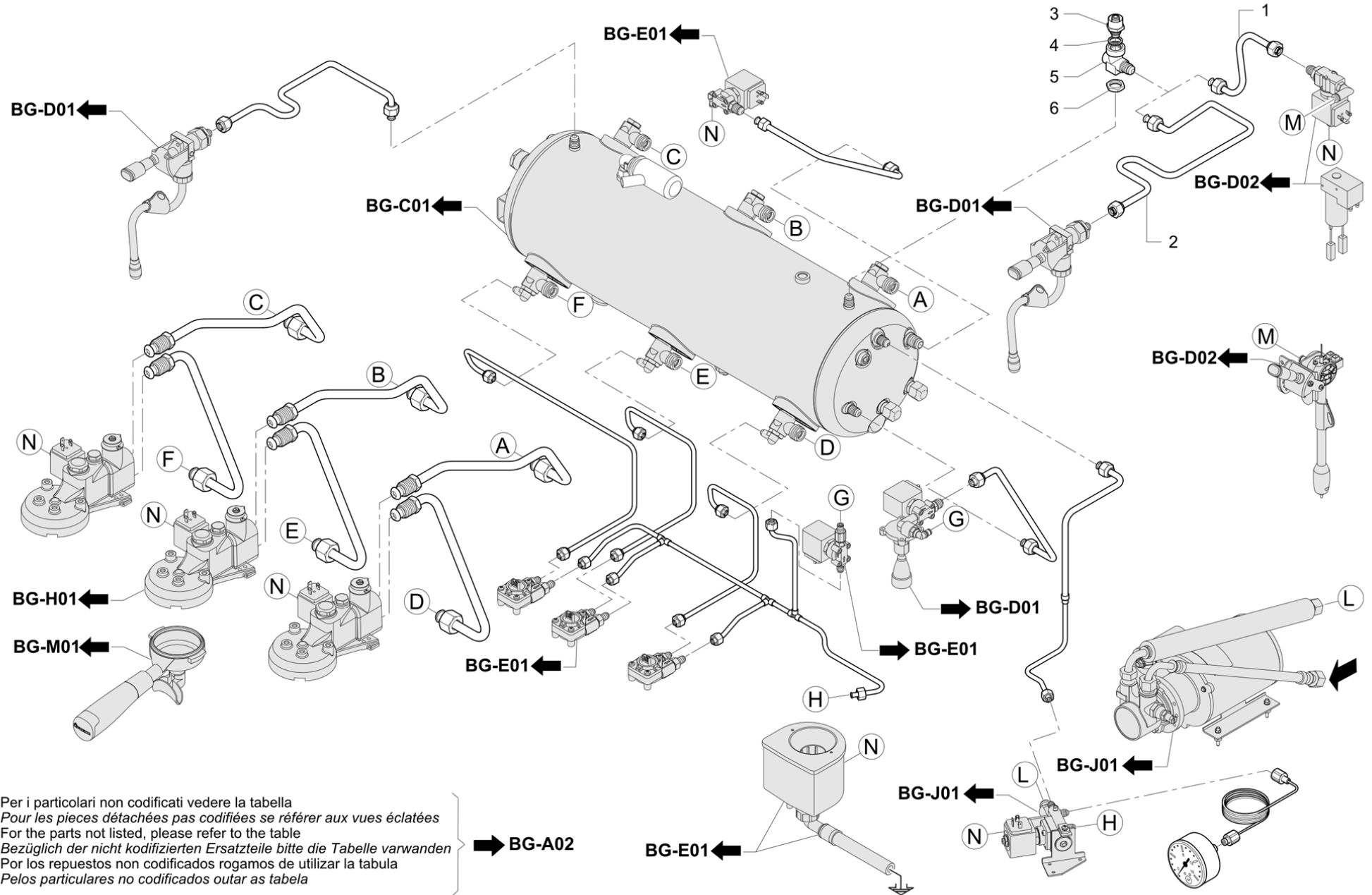
Pos	Part Number	Description	Validity	Notes
1	970524030	3-GR LV AUTOSTEAM TUBE		
1	970524038	3-GR LV NSF AUTOSTEAM TUBE	N:NSF	
1	970525020	LV 2GR AUTOSTEAM TUBE		
1	970525028	AUTOSTEAM TUBE 2GR NSF LV	N:NSF	
2	970515000	3-GR DOWNWARD RIGHT STEAM TUBE		
2	970515008	RIGHT STEAM TUBE 3GR NSF LV	N:NSF	
2	970516000	2-GR DOWNWARD RIGHT STEAM TUBE		
2	970516008	RIGHT STEAM TUBE 2GR NSF LV	N:NSF	
3	970522000	3-GR DOWNWARD HOT WATER COLLECTION TUBE		
3	970523000	2-GR DOWNWARD HOT WATER COLLECTION TUBE		
4	970520020	3GR BOILER FILLING TUBE		
4	970521020	2GR BOILER FILLING TUBE		
5	3951133673	TUBE FOR GAUGE		
6	531196010	PRESSURE GAUGE		
7	970517010	DOWNWARD ANTI-WHIRLPOOL VALVE TUBE		
7	970517018	ANTI-WHIRLPOOL VALVE TUBE NSF LV	N:NSF	
8	970526030	FAN TUBE GR1		
9	970527030	FAN TUBE GR2		
10	970528030	FAN TUBE GR3		
11	970529020	FAN TUBE 3GR LV		
11	970530020	FAN TUBE 2GR LV		
12	970514000	DOWNWARD LEFT STEAM TUBE		
12	970514008	LEFT STEAM TUBE NSF LV	N:NSF	
13	970518008	UPPER RADIATOR TUBE NSF LV	N:NSF	
13	970518010	UPPER RADIATOR PIPE VB		
	⇔ 970518003F	UPPER THERMOSYPHON SYSTEM TUBE		
14	970519008	LOWER RADIATOR TUBE NSF LV	N:NSF	
14	970519000F	WATER RETURN PIPE ASSY		
	⇔ 970519003F	LOWER THERMOSYPHON SYSTEM TUBE, LV		



Pos	Part Number	Description	Validity	Notes
1	970569000F	2GR AUTOSTEAM TUBE LV		
1	970569008F	2GR AUTOSTEAM TUBE NSF LV	N:NSF	
1	970574000F	3GR AUTOSTEAM TUBE LV		
1	970574008F	3GR AUTOSTEAM TUBE NSF LV	N:NSF	
2	970567000F	2 GR RIGHT STEAM TUBE LV		
2	970567008F	2GR RIGHT STEAM TUBE NSF LV	N:NSF	
2	970571000F	3 GR LV RIGHT STEAM TUBE		
2	970571008F	3GR RIGHT STEAM TUBE NSF LV	N:NSF	
3	418941010	ANTI-UNDERTOW VALVE ASS.		
4	401250010	GASKET § 17,9X14,2X1,5		
5	937010008	CONNECTOR 1/4" - 1/4"- 1/4" ENVELOPE RUV		
6	590128010	COUNTER NUT 1/4		



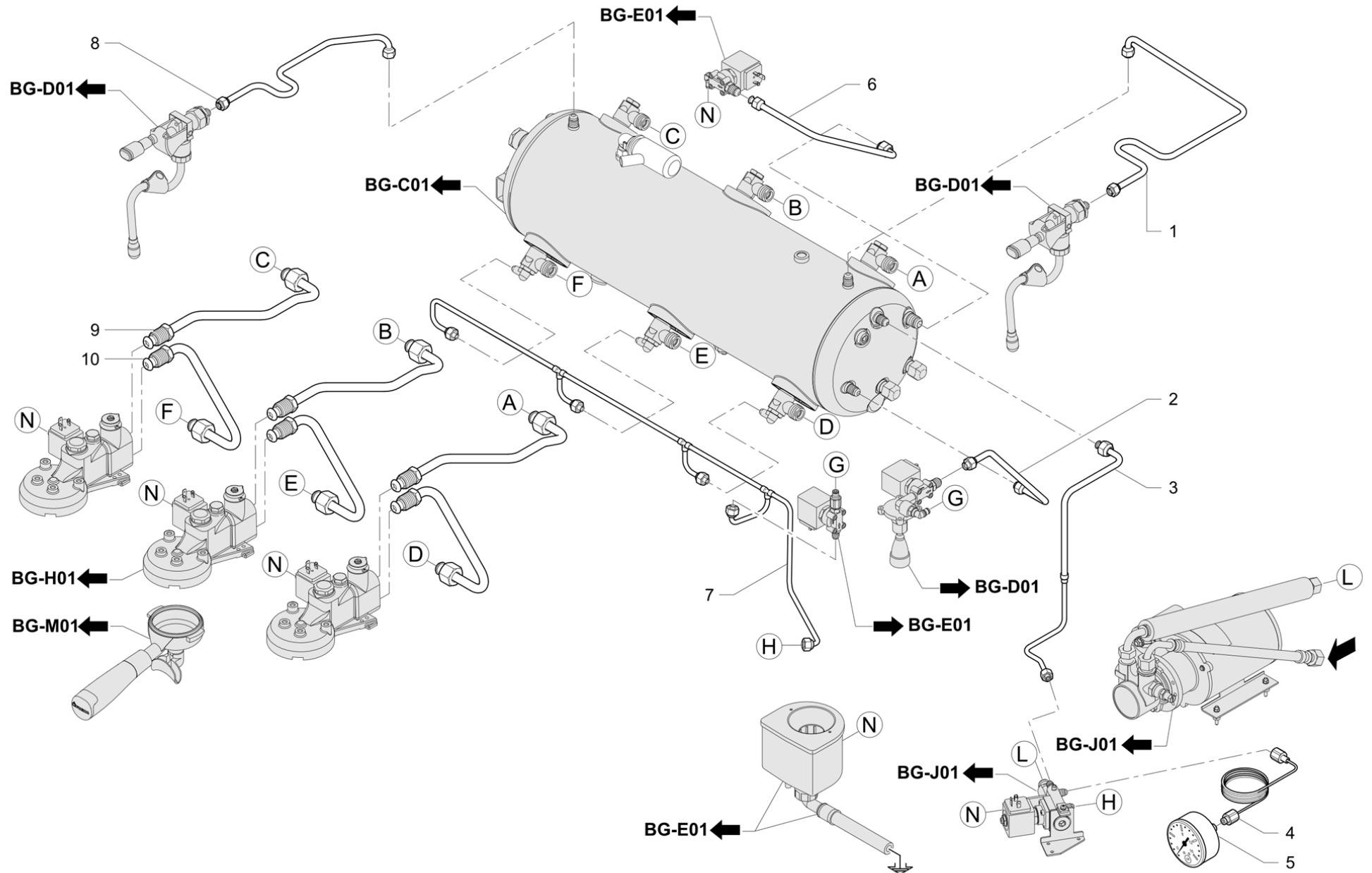
Pos	Part Number	Description	Validity	Notes
1	970549010	3-GR AUTOSTEAM TUBE HV		
1	970549018	3-GR NSF AUTOSTEAM TUBE HV	N:NSF	
1	970552010	TV 2GR AUTOSTEAM TUBE HV		
1	970552018	TV 2GR AUTOSTEAM TUBE HV	N:NSF	
2	970547000	TV 3GR RIGHT STEAM TUBE		
2	970547008	RIGHT STEAM TUBE 3GR NSF HV	N:NSF	
2	970548000	TV 2GR RIGHT STEAM TUBE		
2	970548008	RIGHT STEAM TUBE 2GR NSF LV	N:NSF	
3	970542000	TV GR3 DHW INTAKE TUBE		
3	970550000	TV 2GR DHW INTAKE TUBE		
4	970541000	TV ANTI-UNDERTOW VALVE TUBE		
4	970541008	ANTI-WHIRLPOOL VALVE TUBE NSF HV	N:NSF	
5	970543010	FAN TUBE TEOREMA 3GR HV		
5	970551010	FAN TUBE TEOREMA 2GR HV		
6	970546000	LH TV STEAM TUBE		
6	970546008	LEFT STEAM TUBE NSF HV	N:NSF	
7	970544008	UPPER RADIATOR TUBE NSF HV	N:NSF	
7	970544010	UPPER RADIATOR PIPE TV		
	⇌ 970544003F	UPPER THERMOSYPHON SYSTEM TUBE, HV		
8	970545008	LOWER RADIATOR TUBE NSF HV	N:NSF	
8	970545003F	LOWER THERMOSYPHON SYSTEM TUBE, HV		



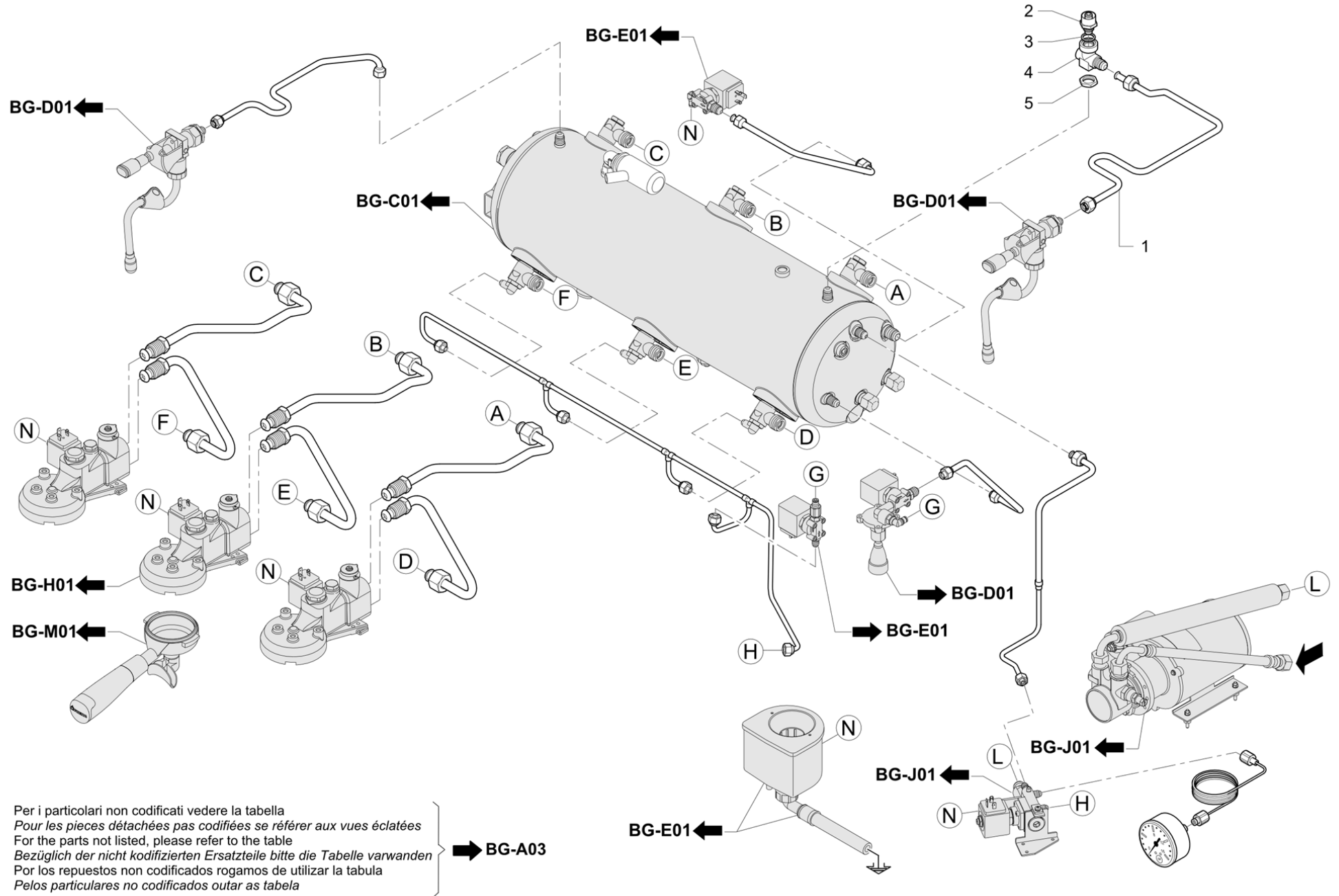
Per i particolari non codificati vedere la tabella
 Pour les pieces détachées pas codifiées se référer aux vues éclatées
 For the parts not listed, please refer to the table
 Bezüglich der nicht kodifizierten Ersatzteile bitte die Tabelle verwenden
 Por los repuestos no codificados rogamos de utilizar la tabula
 Pelos particulares no codificados outar as tabela

➔ **BG-A02**

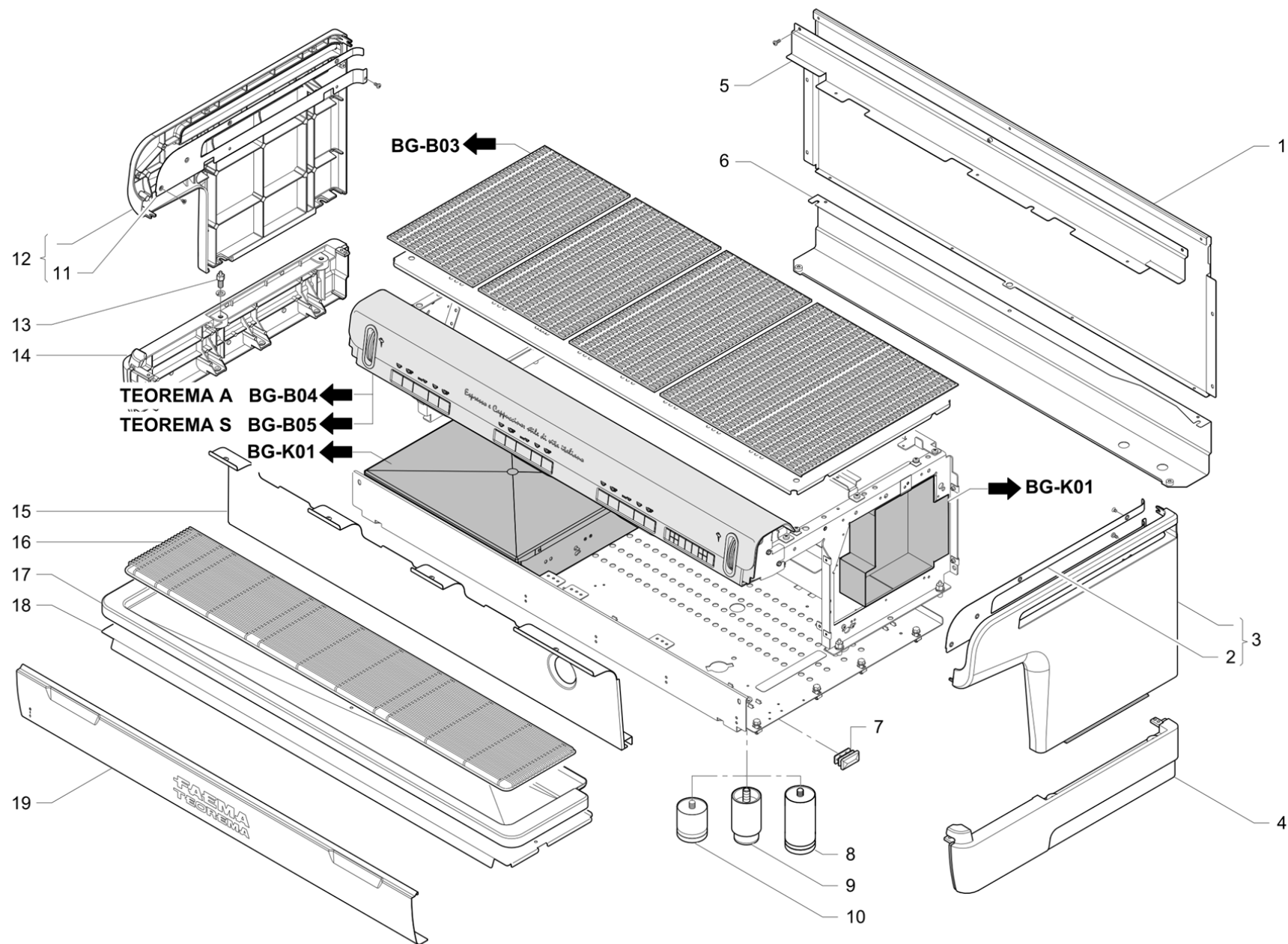
Pos	Part Number	Description	Validity	Notes
1	970570000F	2GR AUTOSTEAM TUBE HV		
1	970570008F	AUTOSTEAM TUBE 2GR NSF HV	N:NSF	
1	970573000F	3GR AUTOSTEAM TUBE		
1	970573008F	3GR AUTOSTEAM TUBE NSF HV	N:NSF	
2	970568000F	2GR RIGHT STEAM TUBE		
2	970568008F	2GR RIGHT STEAM TUBE NSF HV	N:NSF	
2	970572000F	3GR RIGHT STEAM TUBE		
2	970572008F	3GR RIGHT STEAM TUBE NSF HV	N:NSF	
3	418941010	ANTI-UNDERTOW VALVE ASS.		
4	401250010	GASKET § 17,9X14,2X1,5		
5	937010008	CONNECTOR 1/4" - 1/4"- 1/4" ENVELOPE RUV		
6	590128010	COUNTER NUT 1/4		



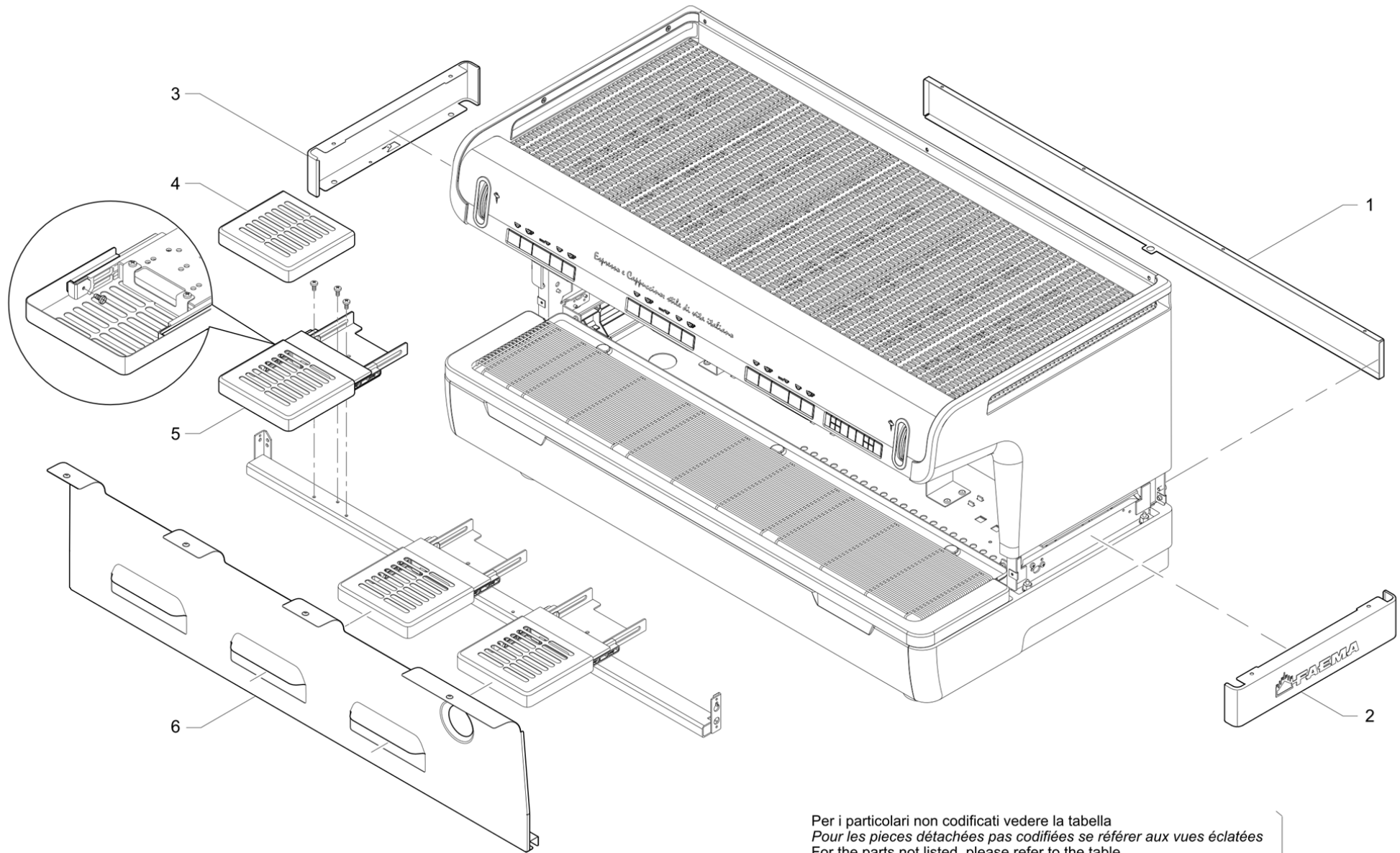
Pos	Part Number	Description	Validity	Notes
1	970515000	3-GR DOWNWARD RIGHT STEAM TUBE		
1	970516000	2-GR DOWNWARD RIGHT STEAM TUBE		
2	970522000	3-GR DOWNWARD HOT WATER COLLECTION TUBE		
2	970523000	2-GR DOWNWARD HOT WATER COLLECTION TUBE		
3	970520020	3GR BOILER FILLING TUBE		
3	970521020	2GR BOILER FILLING TUBE		
4	3951133673	TUBE FOR GAUGE		
5	531196010	PRESSURE GAUGE		
6	970517010	DOWNWARD ANTI-WHIRLPOOL VALVE TUBE		
7	970559000	BOILER FILLING RAMP 3 GROUPS TEOREMA		
7	970561000	BOILER FILLING RAMP 2 GROUPS TEOREMA		
8	970514000	DOWNWARD LEFT STEAM TUBE		
9	970518010	UPPER RADIATOR PIPE VB		
	⇌ 970518003F	UPPER THERMOSYPHON SYSTEM TUBE		
10	970519000F	WATER RETURN PIPE ASSY		
	⇌ 970519003F	LOWER THERMOSYPHON SYSTEM TUBE, LV		



Pos	Part Number	Description	Validity	Notes
1	970567000F	2 GR RIGHT STEAM TUBE LV		
1	970571000F	3 GR LV RIGHT STEAM TUBE		
2	418941010	ANTI-UNDERTOW VALVE ASS.		
3	401250010	GASKET § 17,9X14,2X1,5		
4	937010008	CONNECTOR 1/4" - 1/4"- 1/4" ENVELOPE RUV		
5	590128010	COUNTER NUT 1/4		



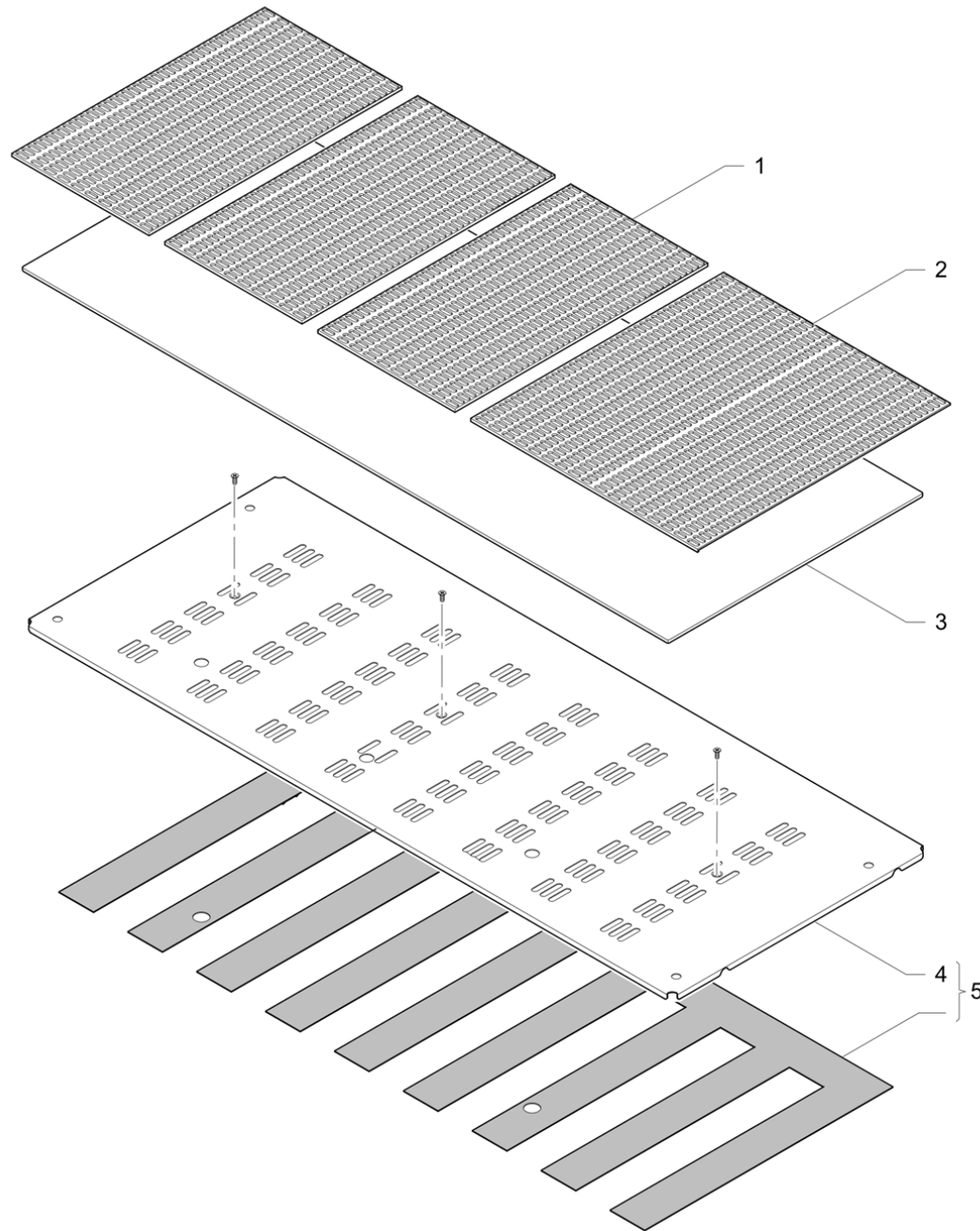
Pos	Part Number	Description	Validity	Notes
1	970009020	3GR THEOREMA REAR PANEL		
1	970050010	2GR THEOREMA REAR PANEL		
2	970004020	RH SIDE UPPER BUFFER		
3	970743000	TEOREMA RIGHT SIDE ASSEMBLY		
4	970045014	E94 RIGHT BASE SIDE		
5	970503020	REAR PANEL BUFFER GR3 ASSEMBLY		
5	970509010	REAR PANEL BUFFER GR2 ASSEMBLY		
6	970500024	3GR THEOREMA REAR BASEPLATE ASSEMBLY		
6	970511014	2GR THEOREMA REAR BASEPLATE ASSEMBLY		
7	532754600	CAP 17X8	N:NSF	
8	532805500	NYLON/STAINLESS STEEL ADJ. FOOT H105/137	N:NSF	
9	532802210	UL FOOT	N:NSF	
10	532805000	ADJUSTABLE FOOT		
11	970005020	LH SIDE UPPER BUFFER		
12	970742000	TEOREMA LEFT SIDE ASSEMBLY		
13	593790011	GALVANISED SCREW M8 X M.30		
14	970044014	E94 LEFT BASE SIDE		
15	970011030	3GR SLUICE VALVE		
15	970055020	2GR DOWNWARD SLUICE VALVE		
16	952127000	2-GROUP BASIN GRILLE		
16	952131000	3-GR BASIN GRILLE		
17	952128000	2-GROUP BASIN		
17	952134000	3-GR BASIN		
18	970099010	STAINLESS STEEL UL HORIZONTAL COVER 3GR	N:UL	
	⇒ 970099004	HORIZONTAL COVER 3 GROUPS UL	N:UL	
18	970100010	STAINLESS STEEL UL HORIZONTAL COVER 2GR	N:UL	
	⇒ 970100004	HORIZONTAL COVER 2 GROUPS UL	N:UL	
19	970505030	BASEPLATE FRT. PANEL GR3 ASSEMBLY		
19	970510020	BASEPLATE FRT. PANEL GR2 ASSEMBLY		



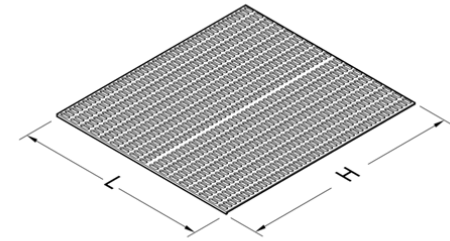
Per i particolari non codificati vedere la tabella
 Pour les pièces détachées pas codifiées se référer aux vues éclatées
 For the parts not listed, please refer to the table
 Bezüglich der nicht kodifizierten Ersatzteile bitte die Tabelle verwenden
 Por los repuestos no codificados rogamos de utilizar la tabula
 Pelos particulares no codificados outar as tabula

➔ **BG-B01**

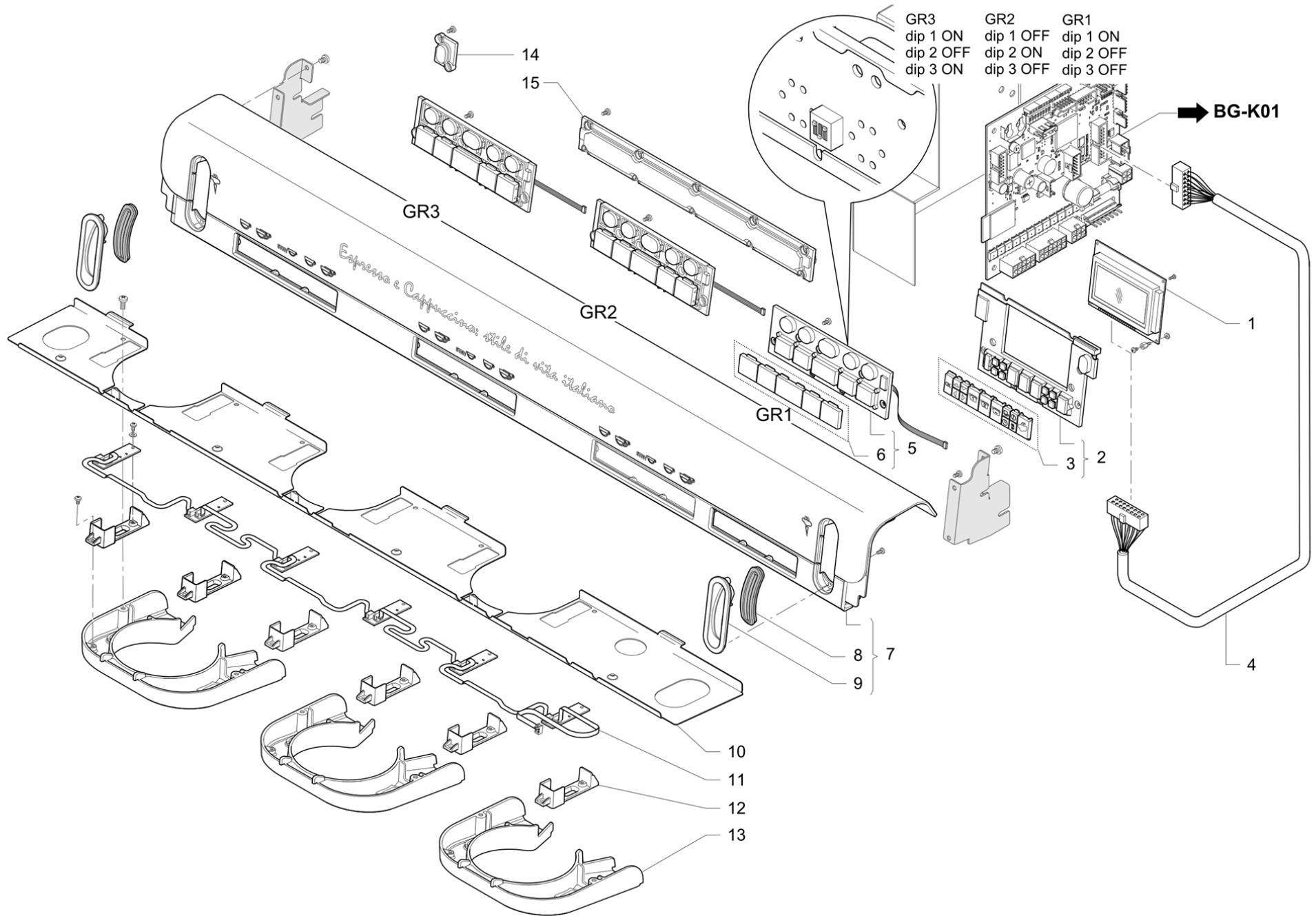
Pos	Part Number	Description	Validity	Notes
1	970094010	3GR REAR PANEL EXTENSION		
1	970097010	2GR TV REAR PANEL EXTENSION HV		
2	970095010	RH SIDE EXTENSION		
3	970092010	LH SIDE EXTENSION		
4	947537009	GRILLE ASSEMBLY WITH GUIDES		
5	947844010	COMPLETE GRILLE ASSEMBLY		
	⇌ 947844000	COMPLETE GRILLE ASSEMBLY		
6	970093000	3GR UPWARD SLUICE VALVE		
6	970096000	2GR UPWARD SLUICE VALVE		



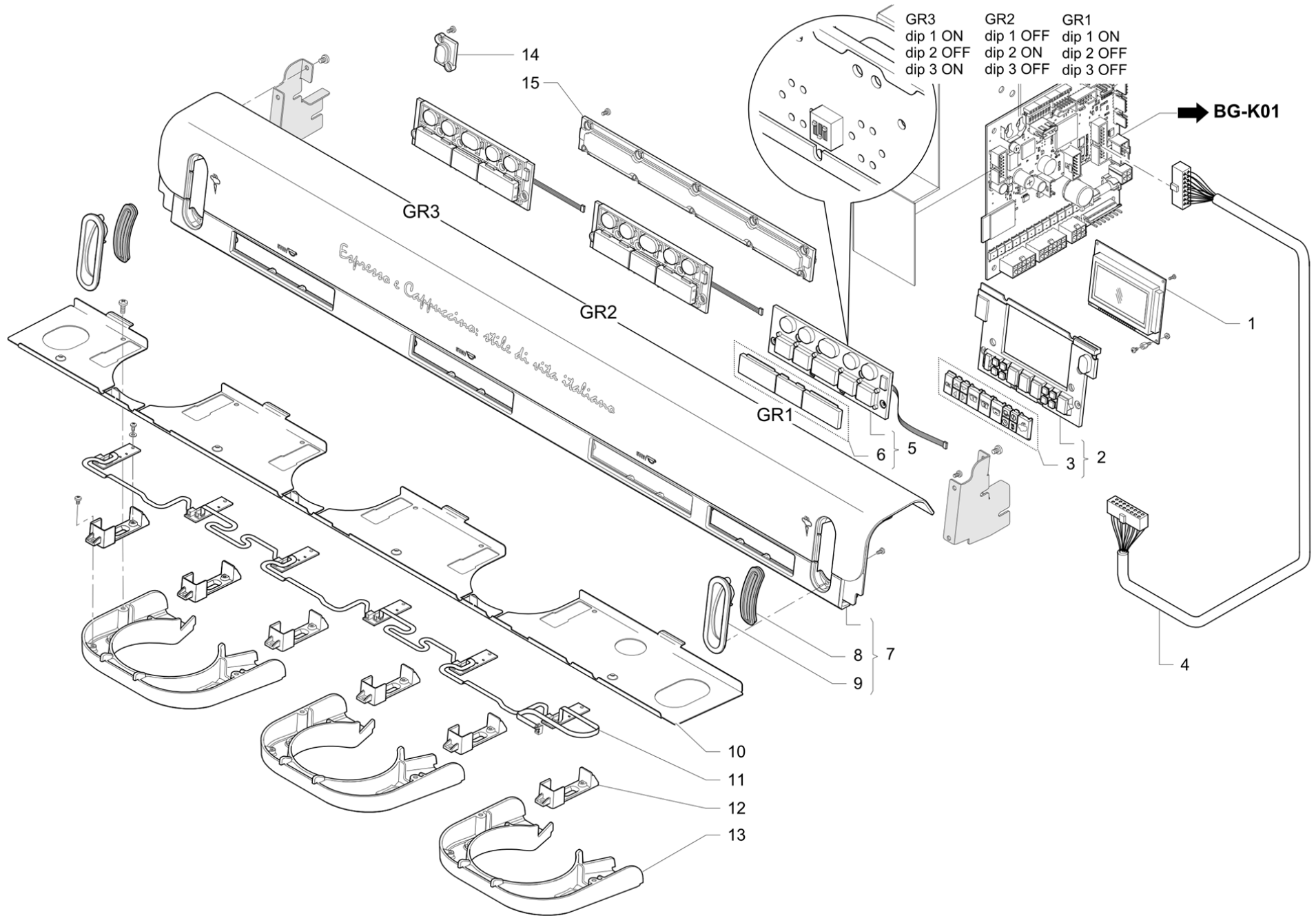
	L	H	GR2	GR3
1	199 mm	367 mm	2	3
2	329 mm	367 mm	1	1



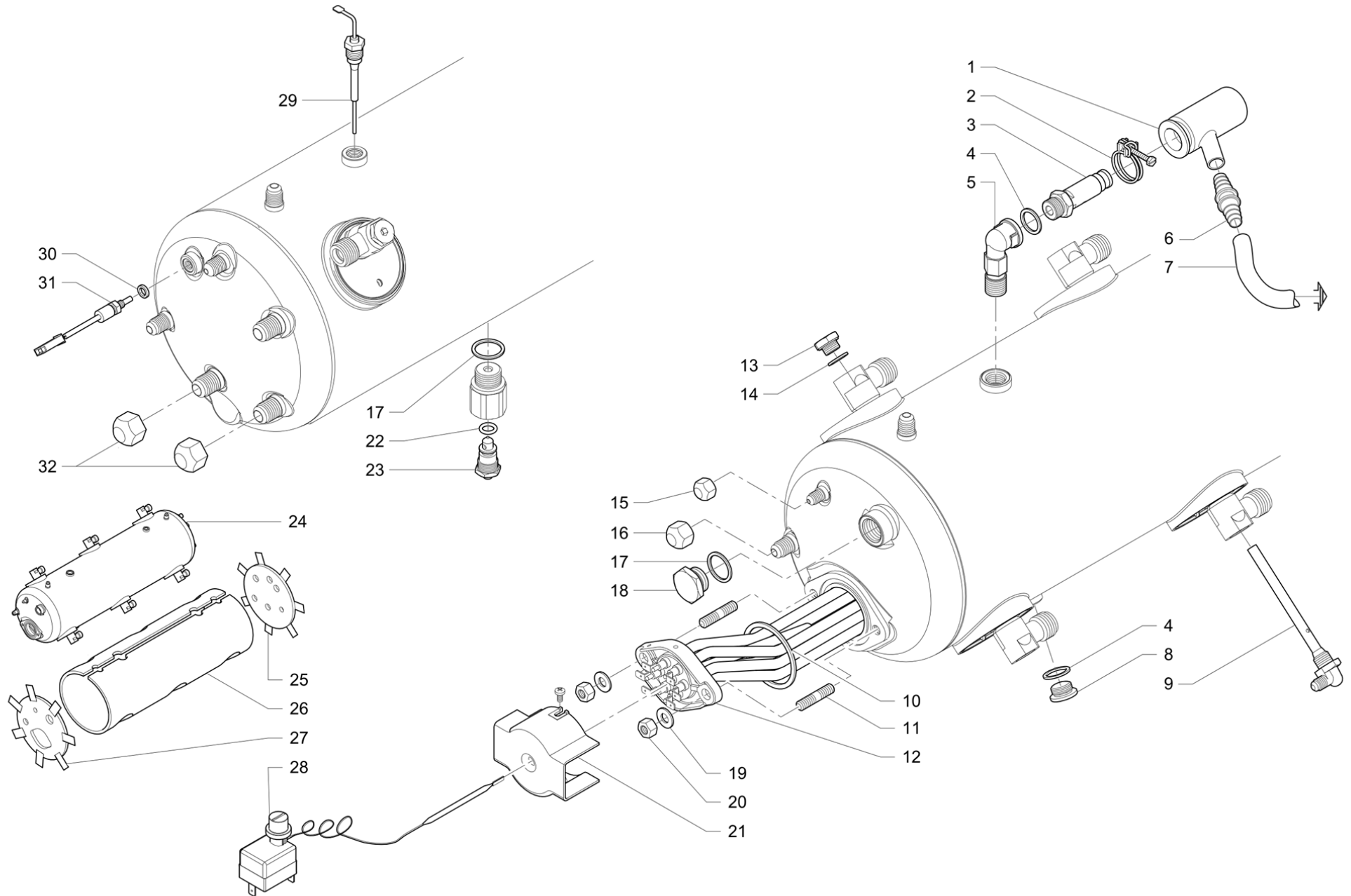
Pos	Part Number	Description	Validity	Notes
1	913194010	SUPPORT CUPS GRATE 367 X 199MM		
2	913257010	SUPPORT CUPS GRATE 367 X 329MM		
3	970089030	TEOREMA GR3 CUP-WARMER COVER	N:NSF	
	⇌ 970089010	CUP-WARMER COVER TEOREMA GR3 NSF	N:NSF	
3	970127030	TEOREMA GR2 CUP-WARMER COVER	N:NSF	
	⇌ 970127010	2-GR NSF CUP-WARMER COVER TEOREMA	N:NSF	
4	970017020	3GR THEOREMA CUP-HEATER COUNTER		
4	970048010	2GR THEOREMA CUP-HEATER COUNTER		
5	970507000	2-GR CUP-WARMER SURFACE ASSEMBLY		
5	970508000	3-GR CUP-WARMER SURFACE ASSEMBLY		



Pos	Part Number	Description	Validity	Notes
1	537059600	DISPLAY		
	⇒ 913902018	GRAPHIC DISPLAY		
2	537052600	TEOREMA SERVICES CARD		
3	970872000	KIT SERVICES BUTTONS TEOREMA		
4	535638018	DISPLAY M32 DT R WIRING		
5	970783010	SELECTION CARD ASS. TEOREMA		
6	970874000	KIT SELECTION BUTTONS TEOREMA A		
7	970778000	COMMAND PANEL ASSEMBLY TEOREMA A2		
7	970779000	COMMAND PANEL ASSEMBLY TEOREMA A3		
8	970015000	STEAM LEVER GASKET		
9	970013020	STEAM LEVER FRAME		
10	970008030	TEOREMA 3GR SUBGROUP BUFFER		
10	970051020	2GR THEOREMA SUBGROUP BUFFER		
11	970785000	TEOREMA 3-GR CASING LIGHT CARD ASSEMBLY		
11	970786000	TEOREMA 2-GR CASING LIGHT CARD ASSEMBLY		
12	970020000	E94 GROUP CASING DIFFUSER		
13	970003017	DISPENSER UNIT HOUSING		
14	970781000	TEOREMA STEAM CARD ASSEMBLY		
15	537052500	TEOREMA BACKLIGHT CARD		

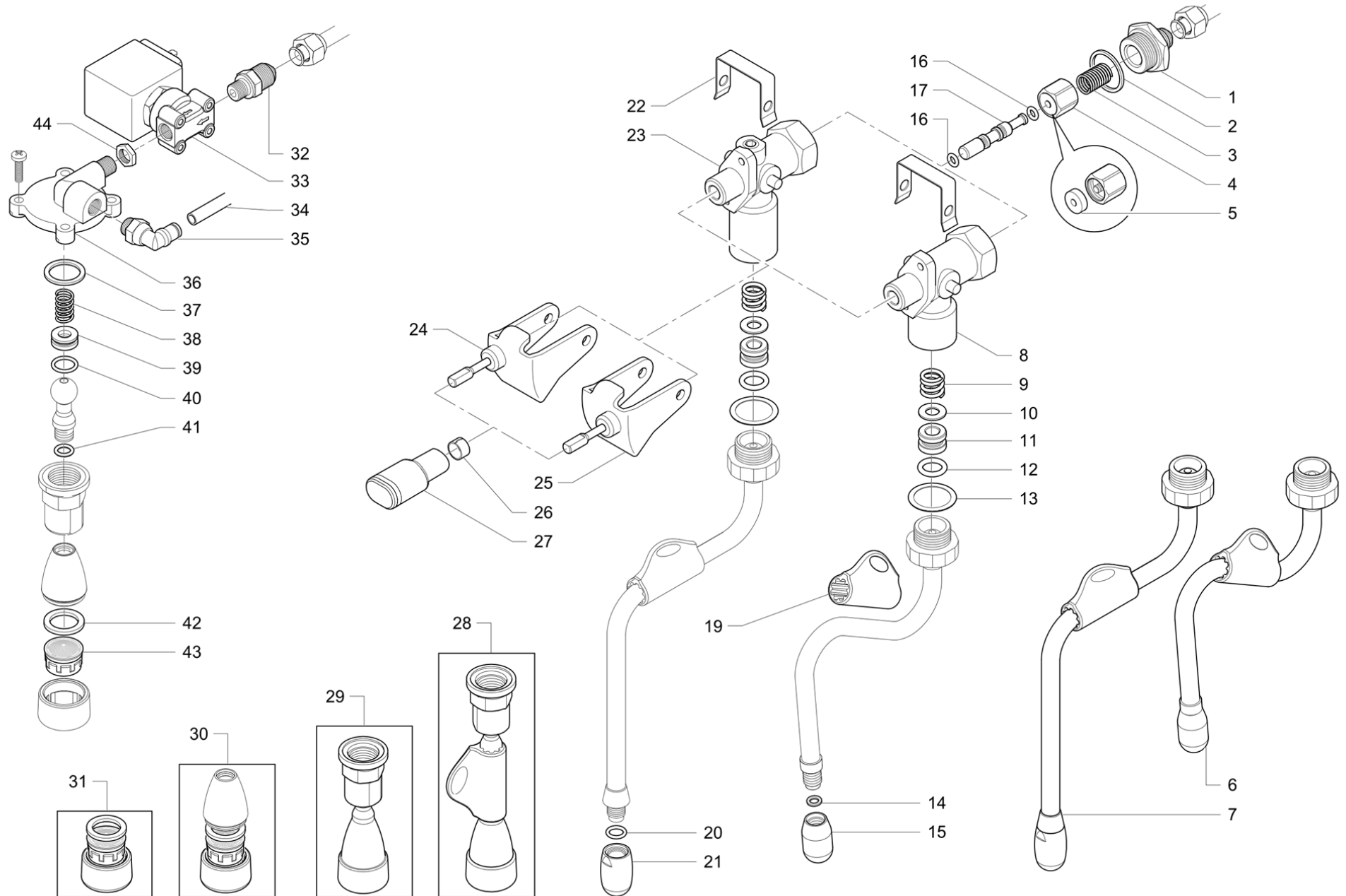


Pos	Part Number	Description	Validity	Notes
1	537059600	DISPLAY		
	⇒ 913902018	GRAPHIC DISPLAY		
2	537052600	TEOREMA SERVICES CARD		
3	970872000	KIT SERVICES BUTTONS TEOREMA		
4	535638018	DISPLAY M32 DT R WIRING		
5	970855000	SELECTION CARD ASS. TEOREMA S		
6	970873000	KIT SELECTION BUTTONS TEOREMA S		
7	970856000	COMMAND PANEL ASS. TEOREMA S3 SPARE PART		
7	970857000	COMMAND PANEL ASS. TEOREMA S2 SPARE PART		
8	970015000	STEAM LEVER GASKET		
9	970013020	STEAM LEVER FRAME		
10	970008030	TEOREMA 3GR SUBGROUP BUFFER		
10	970051020	2GR THEOREMA SUBGROUP BUFFER		
11	970785000	TEOREMA 3-GR CASING LIGHT CARD ASSEMBLY		
11	970786000	TEOREMA 2-GR CASING LIGHT CARD ASSEMBLY		
12	970020000	E94 GROUP CASING DIFFUSER		
13	970003017	DISPENSER UNIT HOUSING		
14	970781000	TEOREMA STEAM CARD ASSEMBLY		
15	537052500	TEOREMA BACKLIGHT CARD		



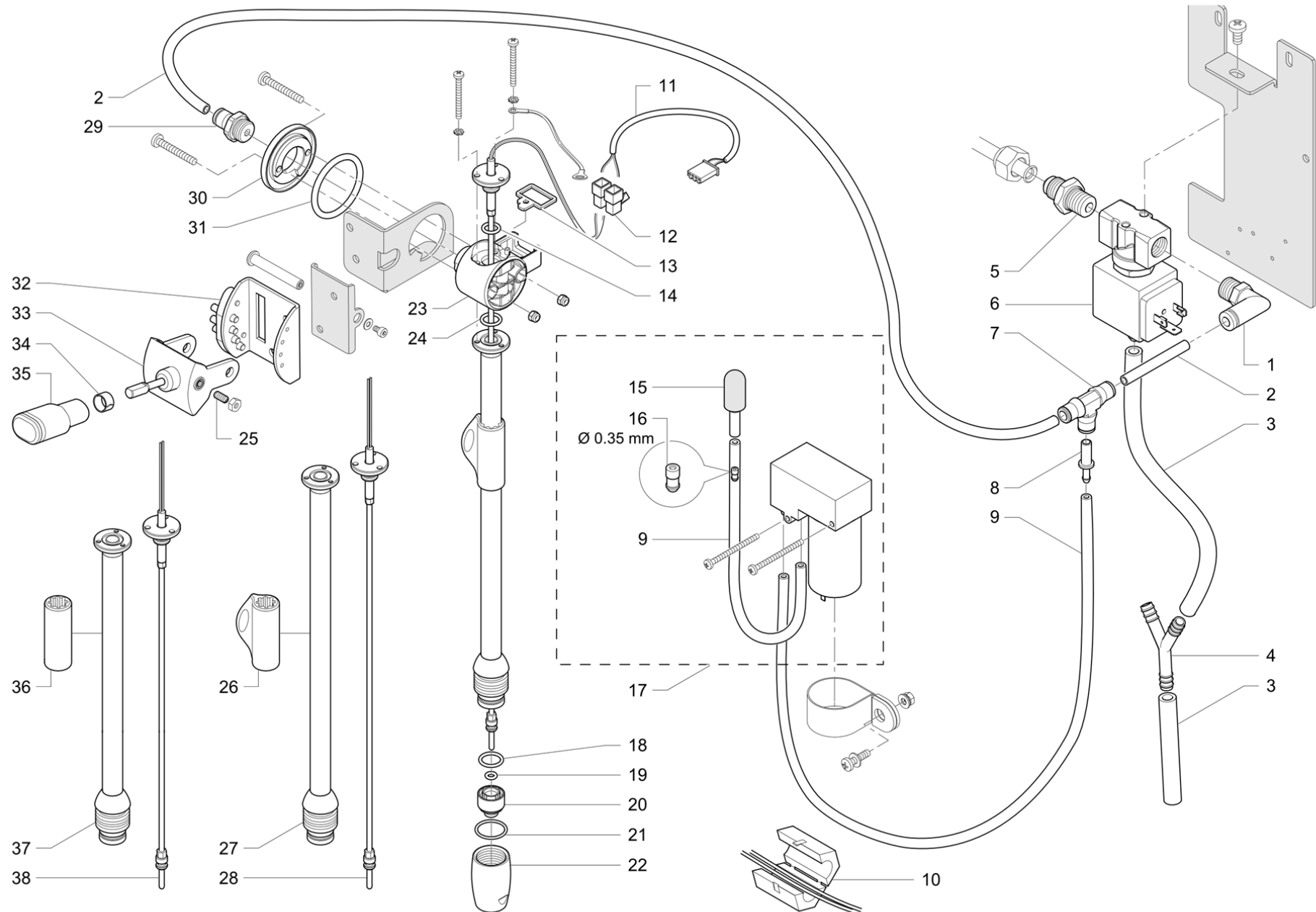
Pos	Part Number	Description	Validity	Notes
1	966492000	SAFETY VALVE PROTECTION		
2	532746200	CABLE TIE-RAPS WITH SCREW		
3	532392600	SAFETY VALVE 1,9 bar 3/8G		
4	401183010	GASKET 22X17X1,5 INLET VALVE		
5	492298018	ELBOW FITTING VALVE 3/8F -3/8M RUVECO		
6	532601000	HOSE ADAPTOR		
7	220000017	SILICONE PIPE D 10X15		
8	457347010	3/8 GAS EXAGONAL INOX CAP		
9	911596000	INJECTOR		
10	401194010	GASKET BOILER FLANGE		
11	503308250	S.S. M8X25 BOLD		
12	911544020	220-240V 3750-4500W RESISTANCE		
12	911544028	220-240V 3570-4500W RESISTANCE W/ RUVECO	N:NSF	
12	927597020	220V 5400W RESISTANCE L626mm		
12	927597028	220V 5400W RESISTANCE W/RUVECO	N:NSF	
12	911684000F	RESISTOR 220-240V 3780-4500W KTL	N:KTL	
12	970575000F	RESISTOR 220V 5400W	N:KTL	
13	594537010	BLIND NIPPLE 1/4 GAS ST. STEEL		
14	401214000	GASKET		
15	593060020	PLUG NUT 1/8"		
16	593059020	PLUG NUT 1/4"		
17	401216000	COPPER GASKET		
18	594538000	1/2 GAS STAINLESS STEEL CAP		
19	4054043103	WASHER		
20	4031131467	M8 RESISTANCE FASTENING NUT		
21	4831135020	PROTECTION HEATING ELEMENT		
22	402220000	O-RING 9,13X2,62		
23	419088000	DISC. DRAIN TAP		
	⇒ 419077000	RELIEF VALVE CAP		
24	970554010	2GR BOILER ASS.		
24	970555010	3GR BOILER ASSEMBLY TEOREMA Th 1.2 mm CO		
24	970576000	BOILER ASS. 2GR TEOREMA WITH RUVECO	N:NSF	
	⇒ 970558008	BOILER ASS. 2GR TEOREMA Th 1.2mm WITH RU	N:NSF	
24	970577000	BOILER ASS. 3GR TEOREMA WITH RUVECO	N:NSF	
	⇒ 970563008	BOILER ASS. 3GR TEOREMA Th 1.2mm WITH RU	N:NSF	
25	970064000	FAEMA LEFT BOTTOM INSULATION		
26	970065000	FAEMA 2-GR BOILER PLATING INSULATION		
26	970066000	FAEMA 3-GR BOILER PLATING INSULATION		
27	970063000	FAEMA RIGHT BOTTOM INSULATION		
28	531194720	SFTY. THERMOSTAT		
29	915789000	COMPLETE LEVEL PROBE 108MM		
30	401235020	GASKET 11X6,5X1,5		

Pos	Part Number	Description	Validity	Notes
31	531194810	COFFEE BOILER PROBE		
32	902396020	PLUG NUT 3/8"		

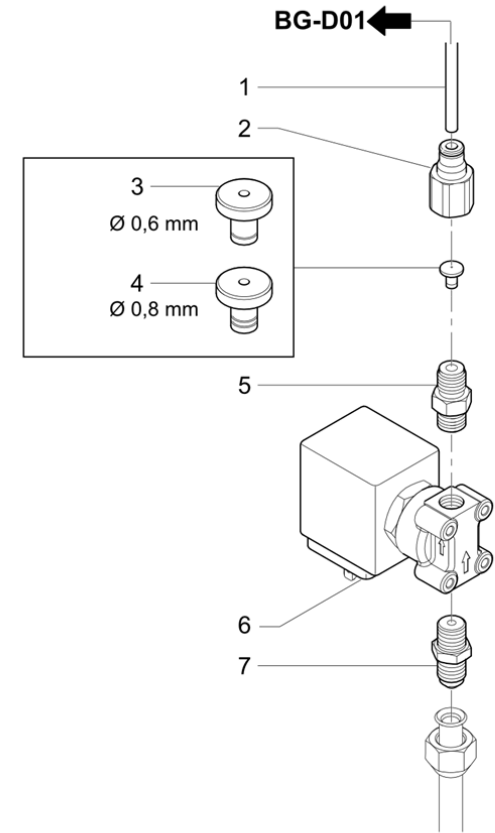
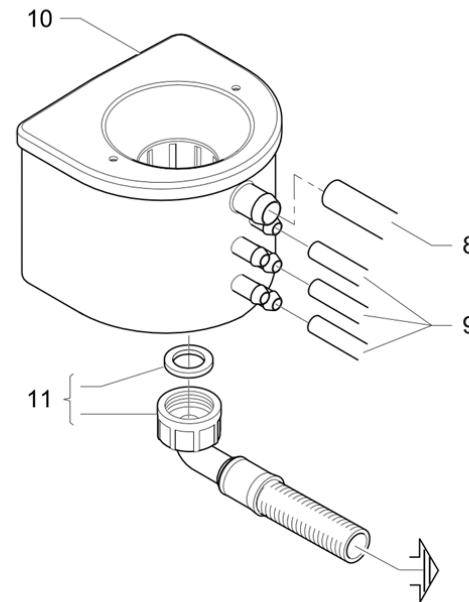
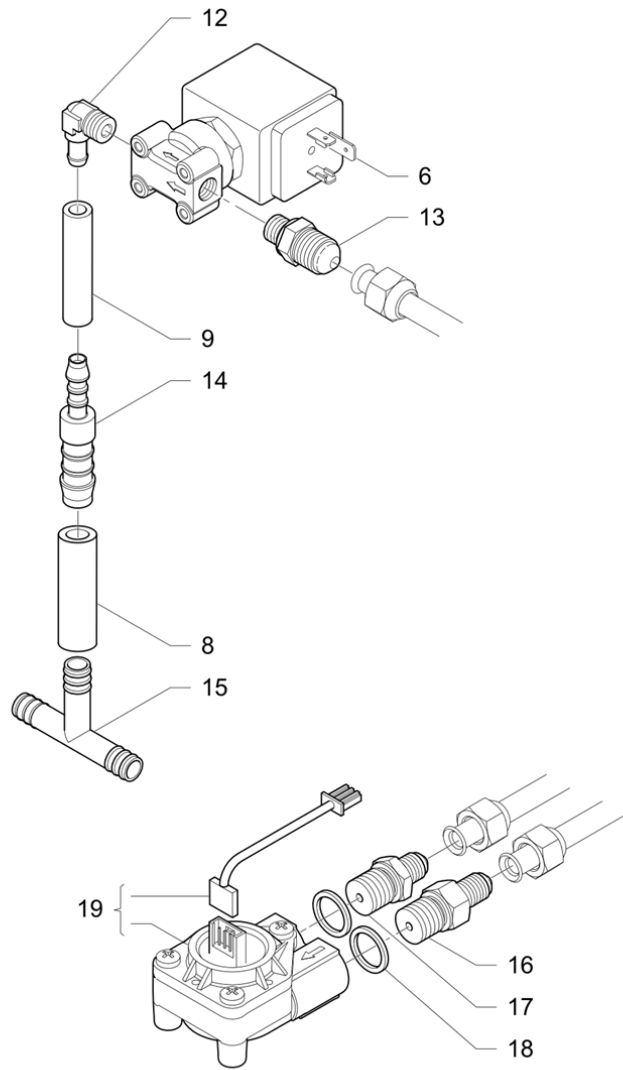


Pos	Part Number	Description	Validity	Notes
1	485219008	UNION		
2	400335010	GASKET 21X24,5X1,5		
3	4731030495	SPRING		
4	903995010	WATER AND STEAM VALVE		
5	402205000	GASKET NF		
6	985751020	ST. STEEL STEAM TUBE ASS. BULB 1.5 TEORE		
7	927720040	STEAM WAND		
8	915521020	TAP BODY		
	≅ 915521010	TAP BODY ASSEMBLY		
9	4731132350	SPRING STEAM WAND		
10	4051047130	WASHER FLAT		
11	4161132346	BUSH IN TEFLON		
12	402206000	GASKET		
13	4701116694	GASKET		
14	4051133431	WASHER FOR STEAMWAND		
15	485327000	VAPORISER TERMINAL DIAMETER 1.5		
16	402196000	O-RING 4,20X1,90		
17	930067000	TAP VALVE BASE NF		
19	927132010	MANIFOLD		
20	402223000	O-RING 7,65X1,78 TS PROBE		
21	4151135190	1,5 MM STEAM NOZZLE		
22	4731133611	CLAMP		
23	457570000	NSF TAP BODY ASSEMBLY	N:NSF	
23	912829010	BODY FAUCET		
24	911563010	RIGHT TAP LEVER		
25	911564010	TAP LEVER LEFT		
26	4081132841	COMPRESSION RING		
27	970501030	STEAM LEVER ASSEMBLY		
28	920739040F	JET BREAKER		
29	936960020F	WATER WAND ASSEMBLY W/PLASTIC CAP		
30	985717010	WATER WAND		
31	985716020F	M22X1 JET BREAKER		
32	952126000	NIPLLE 1/8 1/4		
33	533895100R	SOLENOID VALVE 24 V 50/60 VITON 1/8		
33	533896100R	SOLENOID VALVE 2G 24/60NF	N:UL	
34	220000021	TEFLON TUBE D 2,5X4		
35	532650600	UNION FOR PIPE 4MM		
36	407014008	WATER ECONOMIZER SUPPORT		
36	457389008F	NSF WATER MIXER BODY	N:NSF	
37	401183010	GASKET 22X17X1,5 INLET VALVE		
38	485061010	STAIN LESS STEEL SPRING		
39	485078010	GASKET		
40	402209000	O-RING GASKET 10,82X1,78 NF		
41	402210000	O-RING GASKET 6,75 X 1,78 NF		
42	402320000F	21X15X2 NSF SEAL		

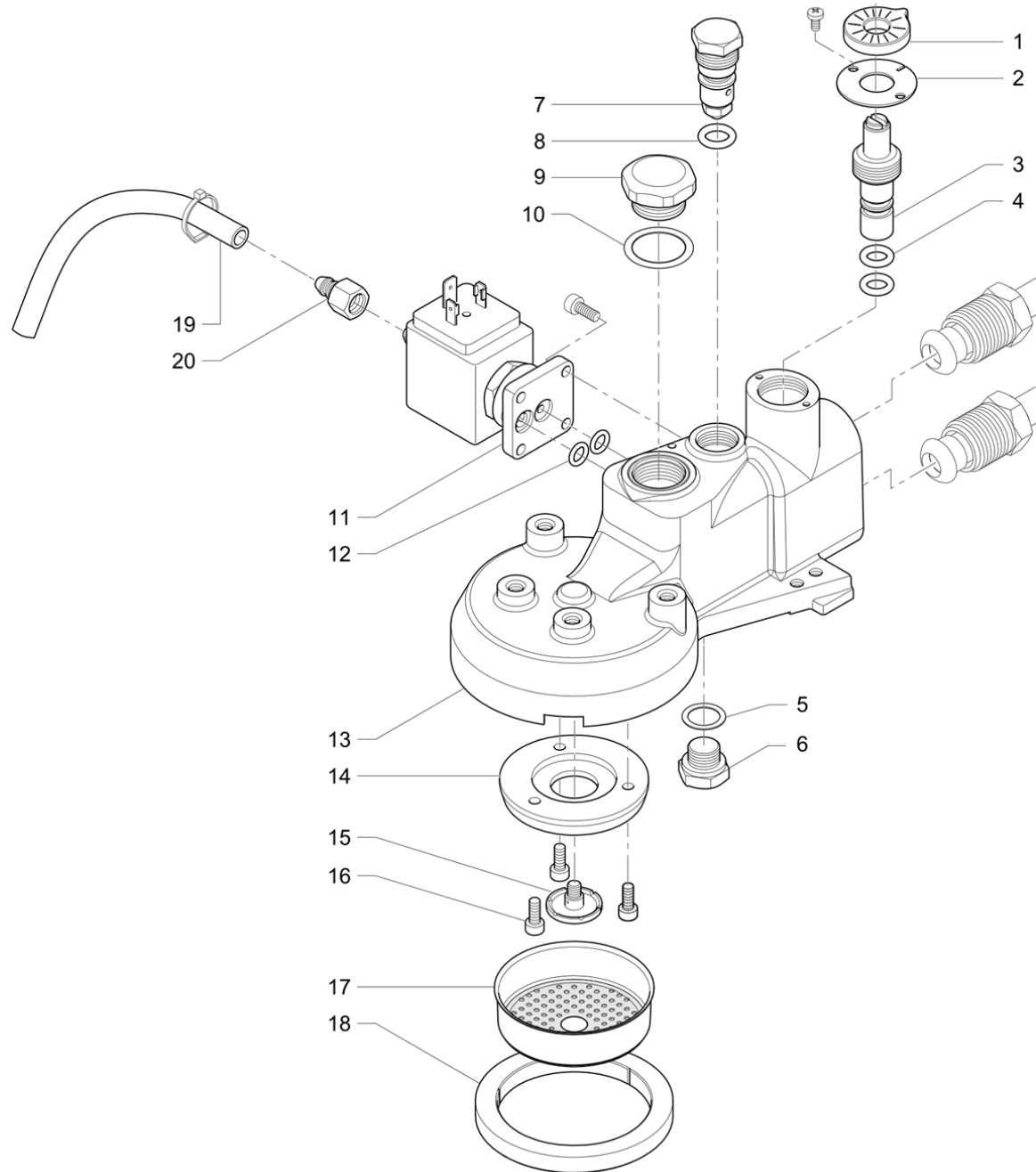
Pos	Part Number	Description	Validity	Notes
43	532305000	FILTER		
44	590133000	COUNTER NUT 1/8		



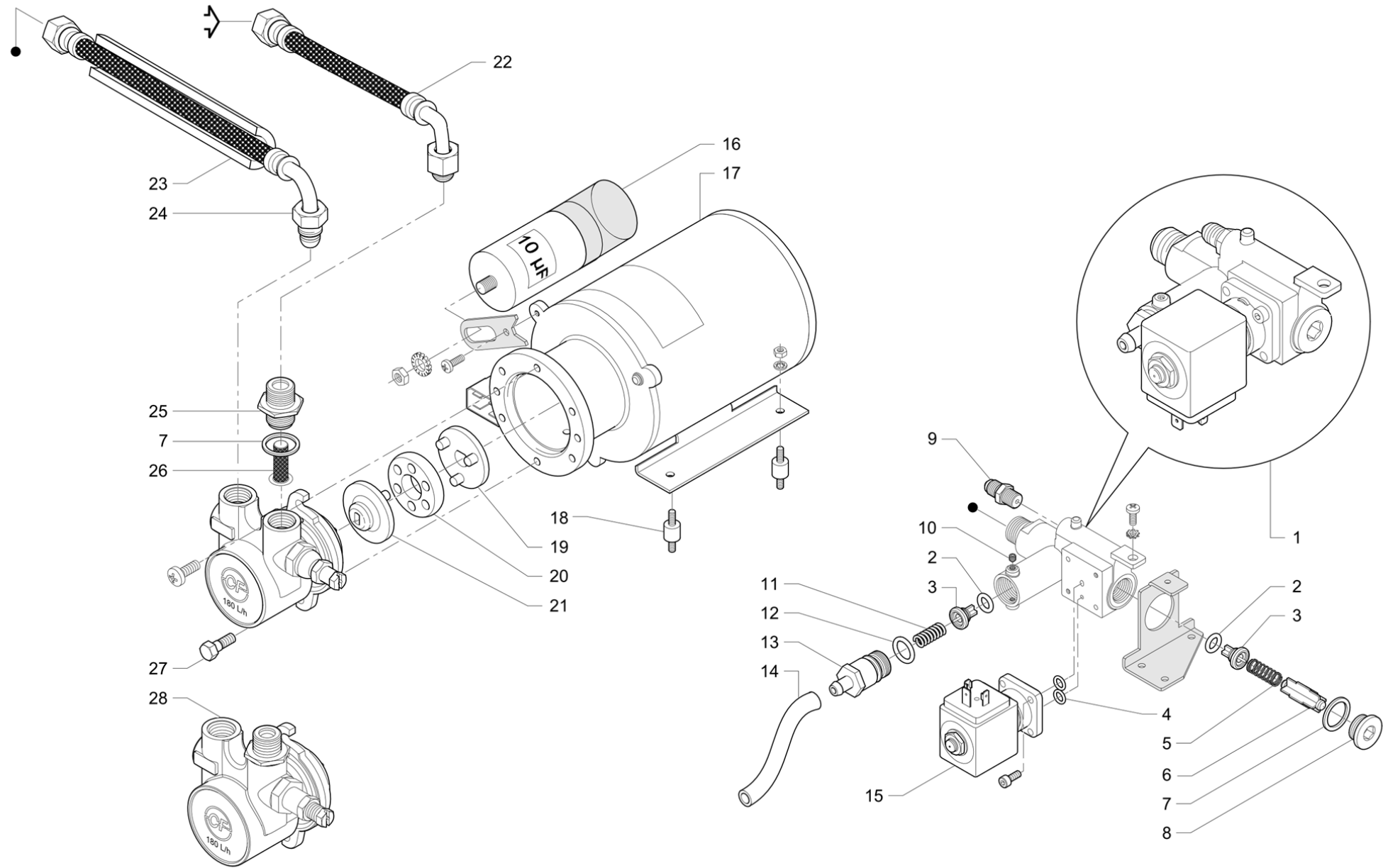
Pos	Part Number	Description	Validity	Notes
1	532651100	UNION 90 6MM PIPE		
2	220000022	RISLAN PIPE 4X6		
3	220000016	SILICONE PIPE D 6X10		
4	532302720	Y-UNION		
5	937021000	JOINT 1/4 CON- 1/4 STAINLESS STEEL ENVEL		
6	533902300	SOL.VALV. 3-2 NC VITON PARKER 1/4" G UL N:UL		
6	533895400R	SOLENOID VALVE 3G ø3 24/50-60		
7	532652700	FAST UNION "T" FOR PIPE D.6		
8	934316000	§6 FAST UNION FOR PIPE 3X6		
9	220000013	SILICONE PIPE D 3X6		
10	535827000	ANTIDISTURBANCE FILTER		
11	431570010	SHIELDED CABLE		
12	532149500	TERMINAL		
13	485291000	CLAMP		
14	402223000	O-RING 7,65X1,78 TS PROBE		
15	534600300	SILENCER		
16	956136010	COMPRESSOR NOZZLE DIAM. 0.35		
17	949732000	COMPRESSOR W/NOZZLE AND FILTER		
18	402287000	OR 11.1X1,78 VITON P018 PROBE TS		
19	402250000	GASKET 3,68 X 1,78 INTERMEDIATE TS		
20	485290030	TS DIFFUSOR 1MM		
21	402289000	OR 16 X 1.5 TS BULB		
22	485288010	TS STEEL BULB		
23	485296030	UPGRADE JOINT		
24	402195000	O-RING 9,25X1,78 NF		
25	965424000	GRUB SCREW FOR STEAM TAP		
26	927132010	MANIFOLD		
27	485628020	UPGRADE LONG TS PIPE		
28	485626010F	LONG THERMOCOUPLE ASSEMBLY		
29	532653000	FAST UNION		
30	485289000	ROLLER		
31	402186010	OR 34.52X3.53 PLATIN. GASKET		
32	970746000	TEOREMA AS SENSOR ASSEMBLY		
33	970780000	LEVER CAM WITH MAGNET		
34	4081132841	COMPRESSION RING		
35	970501030	STEAM LEVER ASSEMBLY		
36	430119010	SLEEVE		
37	485627020	TS SHORT HOSE ASS.		
38	485625010F	SHORT THERMOCOUPLE ASSEMBLY		



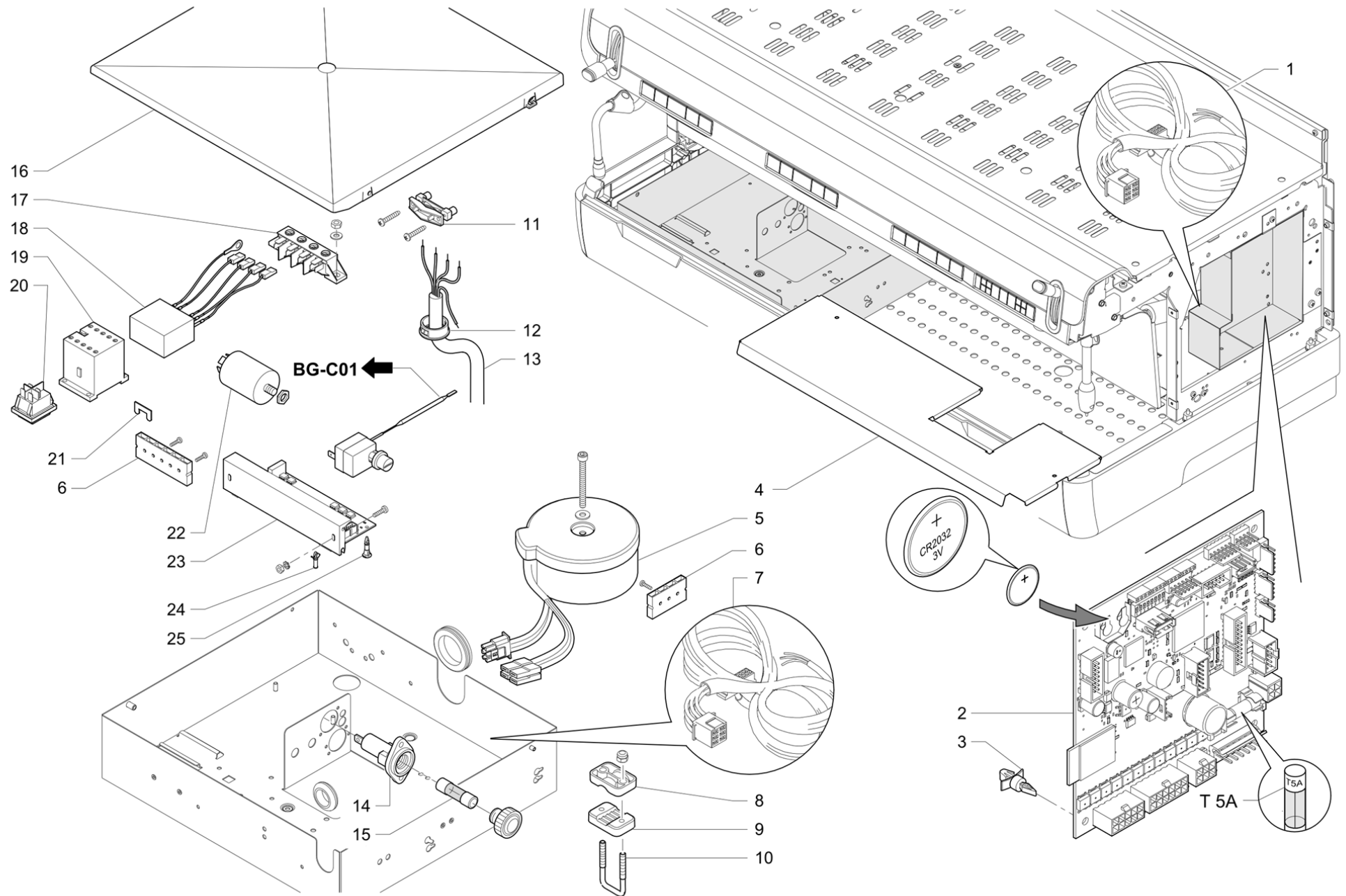
Pos	Part Number	Description	Validity	Notes
1	220000021	TEFLON TUBE D 2,5X4		
2	532652400	RAPID UNION FOR TUBE 4-1/8F		
3	920041000	NOZZLE § 0,6MM NF		
4	920042000	NOZZLE § 0,8MM INOX		
5	532501800R	FITTING 1/8 X 1/8		
6	533895100R	SOLENOID VALVE 24 V 50/60 VITON 1/8		
6	533896100R	SOLENOID VALVE 2G 24/60NF	N:UL	
7	958086008	NIPPLE 1/8 X 1/8		
8	220000017	SILICONE PIPE D 10X15		
9	220000016	SILICONE PIPE D 6X10		
10	959775020	DRAIN BASIN ASS. WITH 5 INPUTS		
	≡ 959775010	DRAINAGE BASIN ASS. WITH 5 INPUTS		
11	532390600	DRAIN PIPE		
12	591410008	FITTING		
13	952126000	NIPPLE 1/8 1/4		
14	532600700	HOSE ADAPTOR		
15	4831132541	UNION TEE		
16	952011000	NIPPLE 1/4 X 1/8"		
17	958133020	NIPPLE 1/4 X 1/8		
18	402302000	GASKET 17X13,2X1X5		
19	534393100	FLOWMETER WITH ADAPTOR		



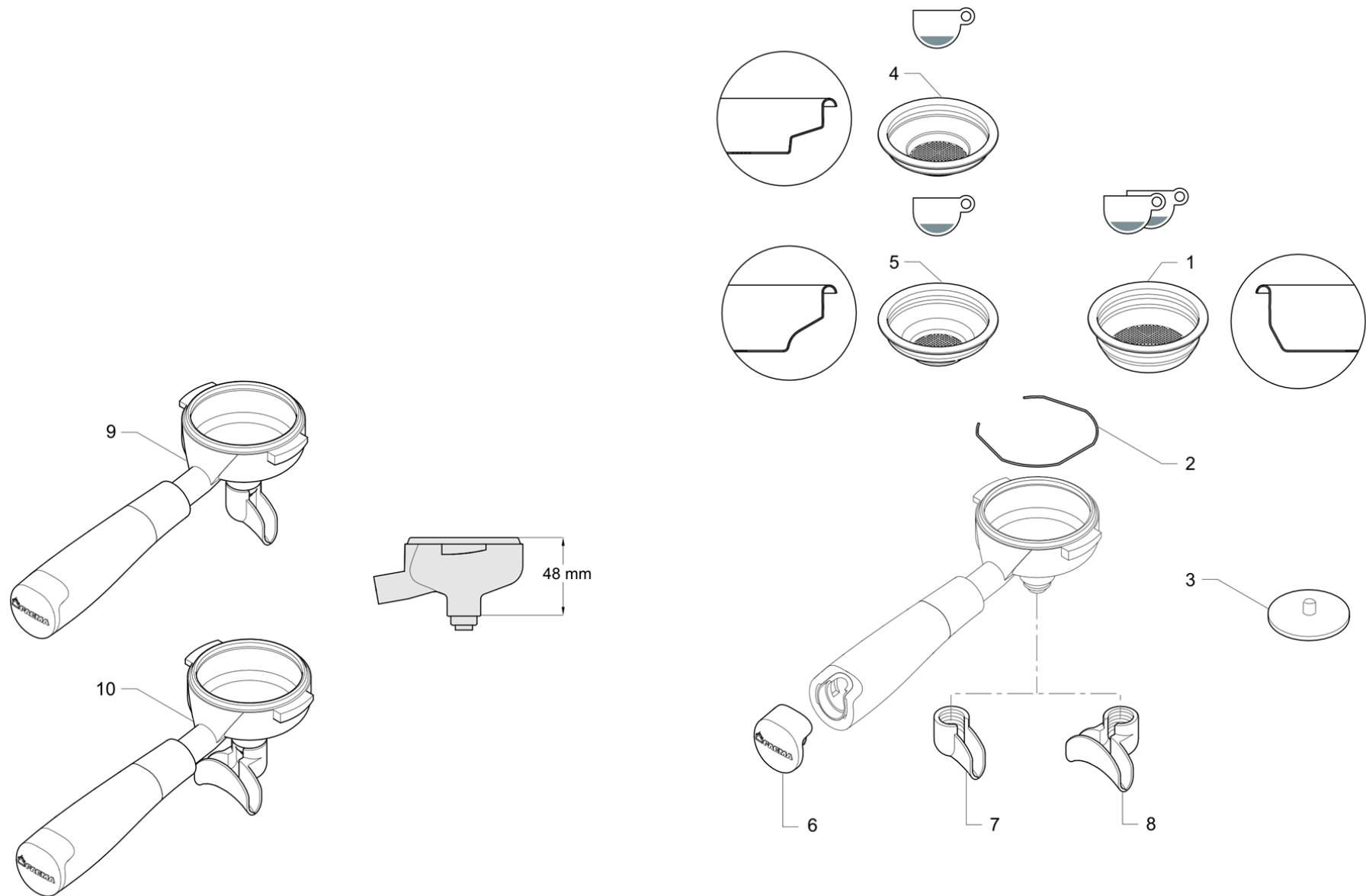
Pos	Part Number	Description	Validity	Notes
1	4991136527	TERMIC REGULATION PIN		
2	4811136587	STOP DISCH		
3	4811135787	SCREW		
4	402194000	O-RING 7.5X2.62 NF		
5	4701116692	GASKET		
6	457344000	PLUG		
7	922785000	GROUP NOZZLE 0,7 MM NF		
8	402197000	O-RING 8,9 X 2,7		
9	457343000	PLUG		
10	4701116694	GASKET		
11	533892300R	SOLENOID VALVE	N:UL	
11	533902900F	SOL.VALVE 3-WAY SMALL BASE 14.5 bar 24V		
	⇌ 533894500R	SOLENOID VALVE		
12	530501200	OR 2025		
13	457430008F	FAEMA DISPENSER GROUP W/ADJ W/RUV DISP D		
	⇌ 457339038	BODY ADJUSTER WITH ADJUSTMENT GROUP		
13	457431008F	FAEMA DISPENSER GROUP W/ADJ W/NSF DISP D	N:NSF	
	⇌ 457387008F	NSF GROUP WIHT REGULATION	N:NSF	
14	457341008	DISC FOR GROUP		
14	457388008F	NSF DISPENSER GROUP DISC	N:NSF	
15	457342000	WATER DISTRIBUTER GROUP IN BRASS		
16	4001051934	SCREW M 4 X 10		
17	457560000	SHOWER GROUP		
18	402199010	GROUP GASKET		
19	220000016	SILICONE PIPE D 6X10		
20	937055010	1/8 RUBBER HOLDER CONNECTOR		
	⇌ 937055000	1/8 RUBBER HOLDER CONNECTOR		



Pos	Part Number	Description	Validity	Notes
1	952706030	VALVE GROUP 24V 50 60Hz		
1	957790000	NSF VALVE GROUP 24V 60Hz	N:NSF	
2	402314000	OR 7.59x2.62 EPDM 75.5 INLET		
3	958231000	MINI-VALVE		
4	402198000	GASKET SOLENOID VALVE		
5	958071000	SPRING FOR VALVE		
6	958073000	SPACER		
7	401183010	GASKET 22X17X1,5 INLET VALVE		
8	457347010	3/8 GAS EXAGONAL INOX CAP		
9	958072020	NIPPLE 1/8 X 1/8 NOZZLE 0.8		
	⇌ 958072010	NIPPLE 1/8X1/8		
10	512904050	S.S. M4X5 SCREW		
11	958075010	SPRING FOR VALVE		
12	401190000	O-RING 12,37X2,62 EPDM INLET		
13	958076000	ADJUST. SCREW		
14	220000016	SILICONE PIPE D 6X10		
15	533893300R	SOLENOID VALVE 2G 24V/50-60HZ		
15	533895700R	SOLENOID VALVE 2G 24V/60HZ NF	N:UL	
16	531492400	CAPACITOR 10MF		
16	531492900	CAPACITOR 10mF	N:UL	
16	531494700	CONDENSER 10 uF	N:KTL	
17	530298120	PUMP 220/50 HORIZ. MOTOR		
17	530299600	PUMP 220/50 HORIZ. MOTOR UL	N:UL	
18	4741133394	RUBBER ANTIVIBRATION		
19	4821023082	MOTOR JOINT		
20	4081021923	RING		
21	4821108987	PUMP JOINT		
22	532304300	PIPE 3/8 NF	N:NSF	
22	3951130515	PIPE 3/8X 3/8 120øMM 2200		
23	462327000	INSULATING MEMBRANE		
24	532304400	VALVE BLOCK-PUMP TUBE NF	N:NSF	
24	3951117886	COMPREHENSIVE PIPE		
25	533100600	JOINT 3/8X3/8		
26	533100400	INSIDE FILTER		
27	4004136622	SCREW M6		
28	533180010	180 L/h VOLUMETRIC PUMP INOX W/FILTER		



Pos	Part Number	Description	Validity	Notes
1	535785068	BT GEN. CABLING ASS.		
	⇒ 535785058	BT GEN. WIRING ASSY		
1	535821010	3 GR ADD. WIRING M34-M39 RESTYLING		
2	537059400	NEWTON CPU BOARD		
	⇒ 947758020	CPU BOARD NEWTON		
3	532729700	BOARD SUPPORT		
4	960086014	HORIZONTAL COVER 2-GROUP		
	⇒ 960086004	2 GR HORIZONTAL COVER		
4	960088014	HORIZONTAL COVER 3-GROUP		
	⇒ 960088004	3 GR HORIZONTAL COVER		
5	530901910	TRASFORMER		
6	532125000ZZ	6.3X0.8 CABLE FAST. CLAMP		
7	535776040	POWER WIRING 2-3 GROUPS M.34		
	⇒ 535776020	2-3 GR POWER WIRING M.34		
8	532160400	MOBILE CABLE PRESS	N:UL	
9	532160300	FIXED CABLE PRESS	N:UL	
10	532160200	FORK	N:UL	
11	532123300	CORD FIXING LOCK		
12	532170500	MEMBRANE CABLE LAY		
13	421214000	WIRE		
13	530112900	WIRE	N:UL	
13	530114300	WIRING	N:UL	
13	936195000	WIRE 4X4		
13	946296000	SUPPLY CABLE 5x1.5mm2	N:KTL	
14	530111000	FUSE HOLDER	N:UL	
15	530112200	FUSE CC15 A	N:UL	
16	952009010	COVER FOR ELEC.BOX		
17	532161500	TERMINAL BOARD		
18	535668000	3 PHASE FILTER C		
19	531503520	CONTACTOR 4P 220/240V		
20	532024500	SWITCH		
20	532091300	GREEN BIPOLAR SWITCH	N:KTL	
21	532163000	JUMPER		
22	531404200	PHASE FILTER 115/250V 50/60 Hz		
23	537060500	POWER SLAVE NEWTON BOARD		
	⇒ 947759000	POWER SLAVE BOARD		
24	532174700	SPACER FOR ELECTRONIC BOARD		
25	532174600	SPACER		



Pos	Part Number	Description	Validity	Notes
1	457369000	2-CUP FILTER		
2	457874000	SPRING FOR LOCKING THE COFFEE FILTER		
3	457058000	DISK CLEANING GROUP		
4	457362000	1-CUP FILTER LOW		
5	457368000	COFFEE FILTER 1 CUP		
6	970069017	FILTER-HOLDER CAP FAEMA		
7	457569000F	1-WAY SPOUT ASS. (E)		
	⇔ 457569007	1-WAY SPOUT ASS. (E)		
8	457568000F	2-WAY SPOUT ASS. (E)		
	⇔ 457568007	2-WAY SPOUT ASS. (E)		
9	970748040	TEOREMA 1-WAY FILTER-HOLDER ASSEMBLY (I)		
	⇔ 970748030	TEOREMA 1-WAY FILTER-HOLDER ASSEMBLY (I)		
9	957767010F	TEOREMA 1-WAY (I) NSF FILTER-HOLDER ASSY	N:NSF	
	⇔ 957767000F	1-WAY (I) NSF TEOREMA FILTER HOLDER ASSE	N:NSF	
10	970749040	TEOREMA 2-WAY FILTER-HOLDER ASSEMBLY (I)		
	⇔ 970749030	TEOREMA 2-WAY FILTER-HOLDER ASSEMBLY (I)		
10	957768010F	TEOREMA 2-WAY (I) NSF FILTER-HOLDER ASSY	N:NSF	
	⇔ 957768000F	2-WAY (I) NSF TEOREMA FILTER HOLDER ASSE	N:NSF	