

Super-automatic coffee machines

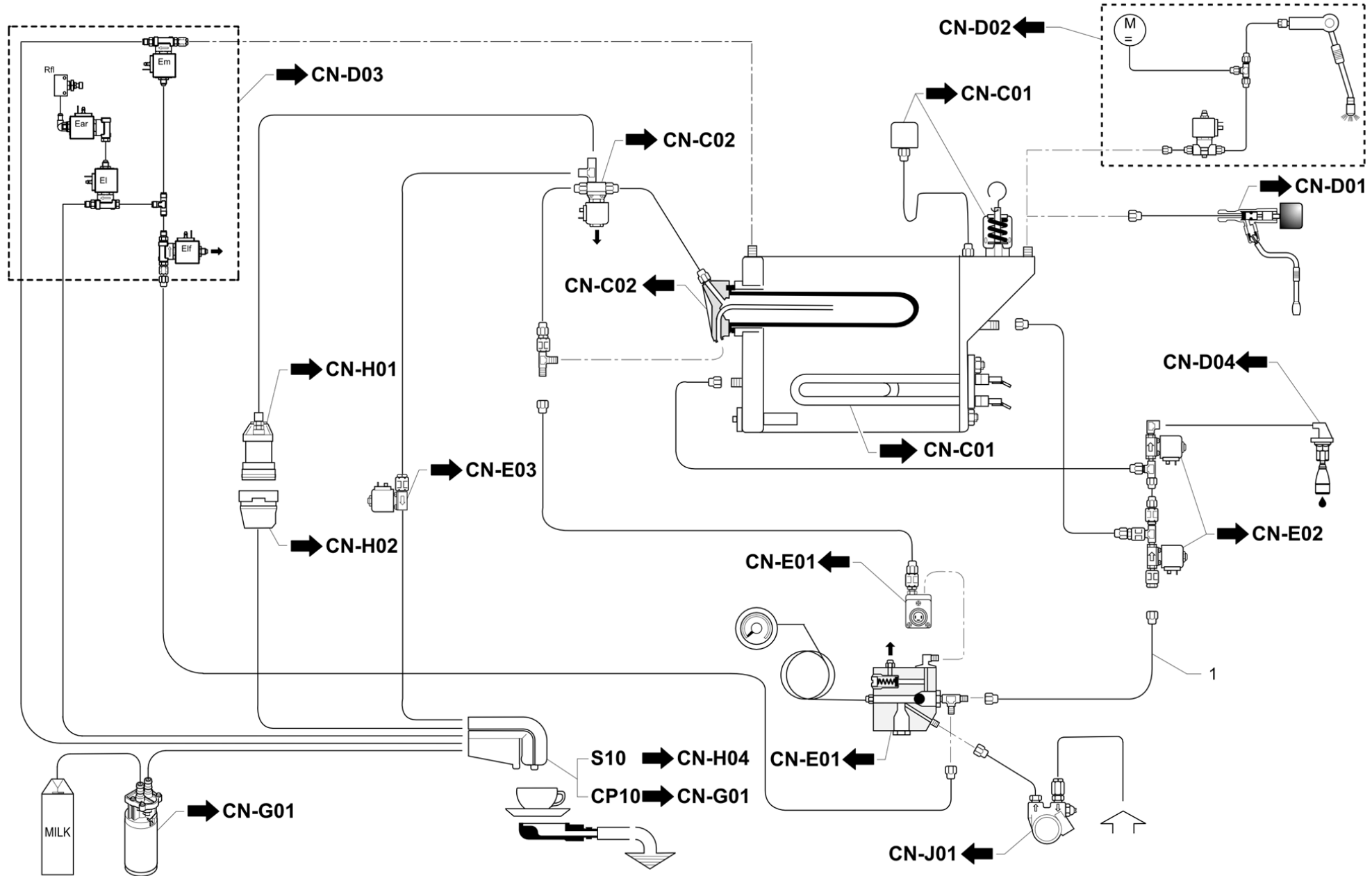


X1

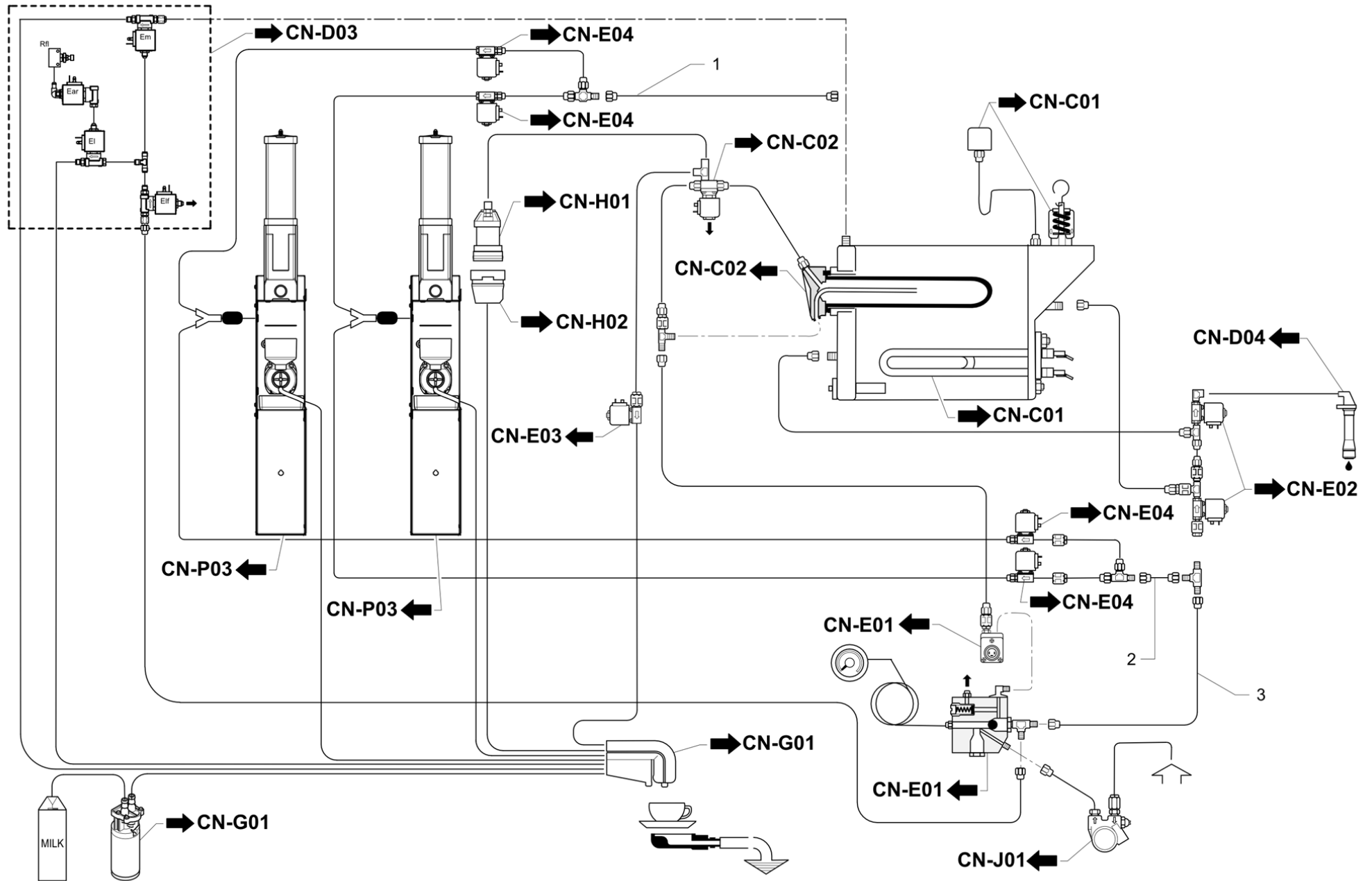
INDEX

HYDRAULIC CIRCUIT	3
HYDRAULIC CIRCUIT CS11	5
COACHWORK	7
COACHWORK CS11	9
COACHWORK	11
CONTROL PANEL	13
CONTROL PANEL	15
BOILER EQUIPMENT-RESISTANCE	17
COFFEE HYDRAULIC PIPE SYSTEM	19
STEAM TAP	21
AUTOSTEAM	23
CAPPUCCINO HYDRAULIC PIPE SYSTEM	25
CAPPUCCINO HYDRAULIC PIPE SYSTEM	27
CAPPUCCINO HYDRAULIC PIPE SYSTEM	29
WATER TAP	31
VALVES GROUP	33
SERVICE HYDRAULIC PIPE SYSTEM	35

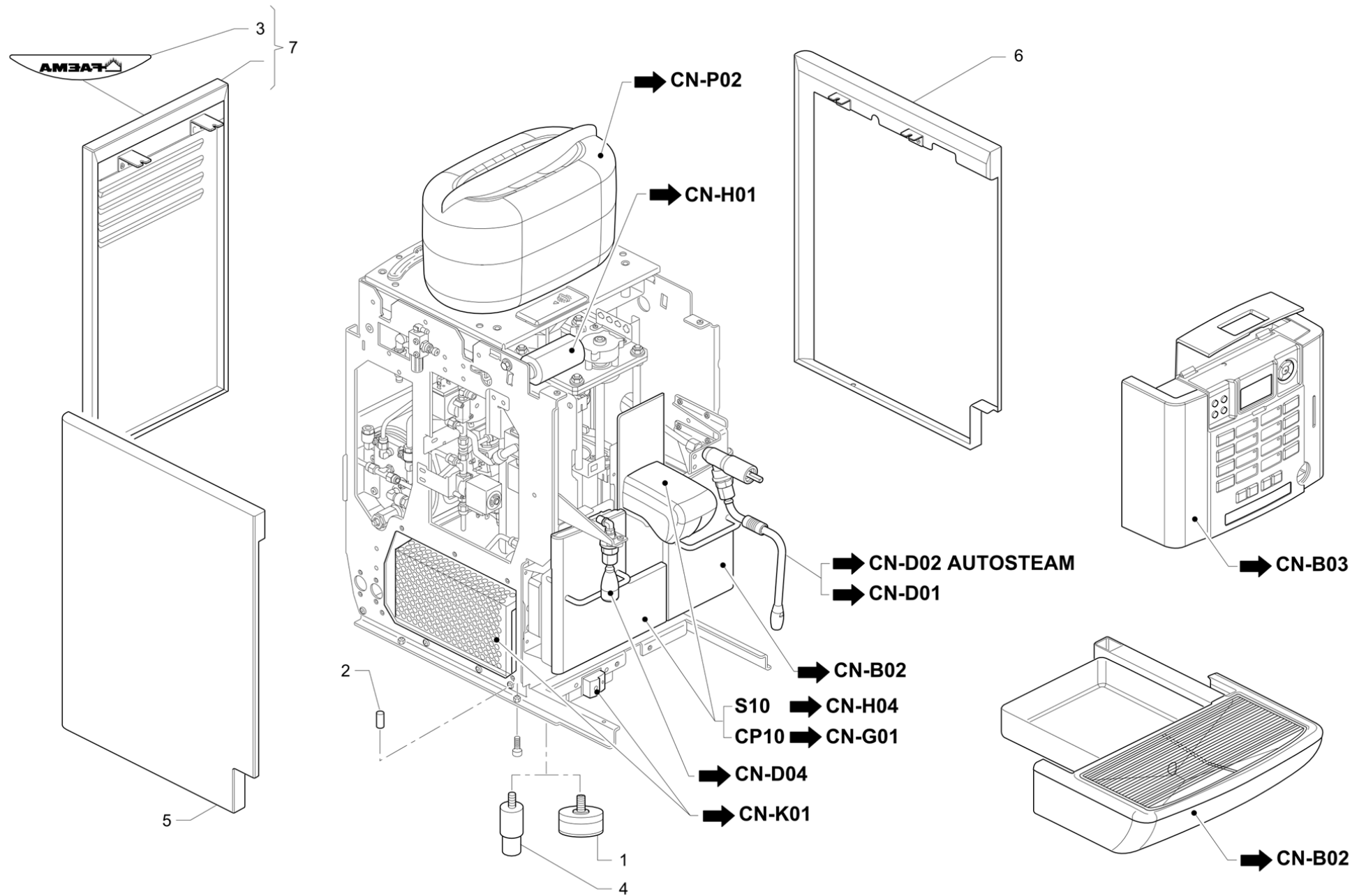
WATER AFTER	37
MIXER HYDRAULIC PIPE SYSTEM CS11	39
CAPPUCCINO DELIVERY SPOUT	41
CAPP.DELIVERY SPOUT/PERISTALTIC PUMP	43
CAPPUCCINO DELIVERY SPOUT/GEAR PUMP	45
CAPP.DELIVERY SPOUT/PERISTALTIC PUMP	47
CAPPUCCINO DELIVERY SPOUT/GEAR PUMP	49
COFFEE GROUP	51
COFFEE GROUP	53
COFFEE GROUP	56
COFFEE DELIVERY SPOUT	58
VOLUMETRIC PUMP	60
ELECTRICAL BOX/ELECTRIC COMPONENTS	62
COFFEE-GRINDER/GRINDING SECTION	64
COFFEE HOPPERS	66
MIXER CS11	68
X1 - Generic table	70
X1 - RICAMBI PRIMA NECESSIT.	75



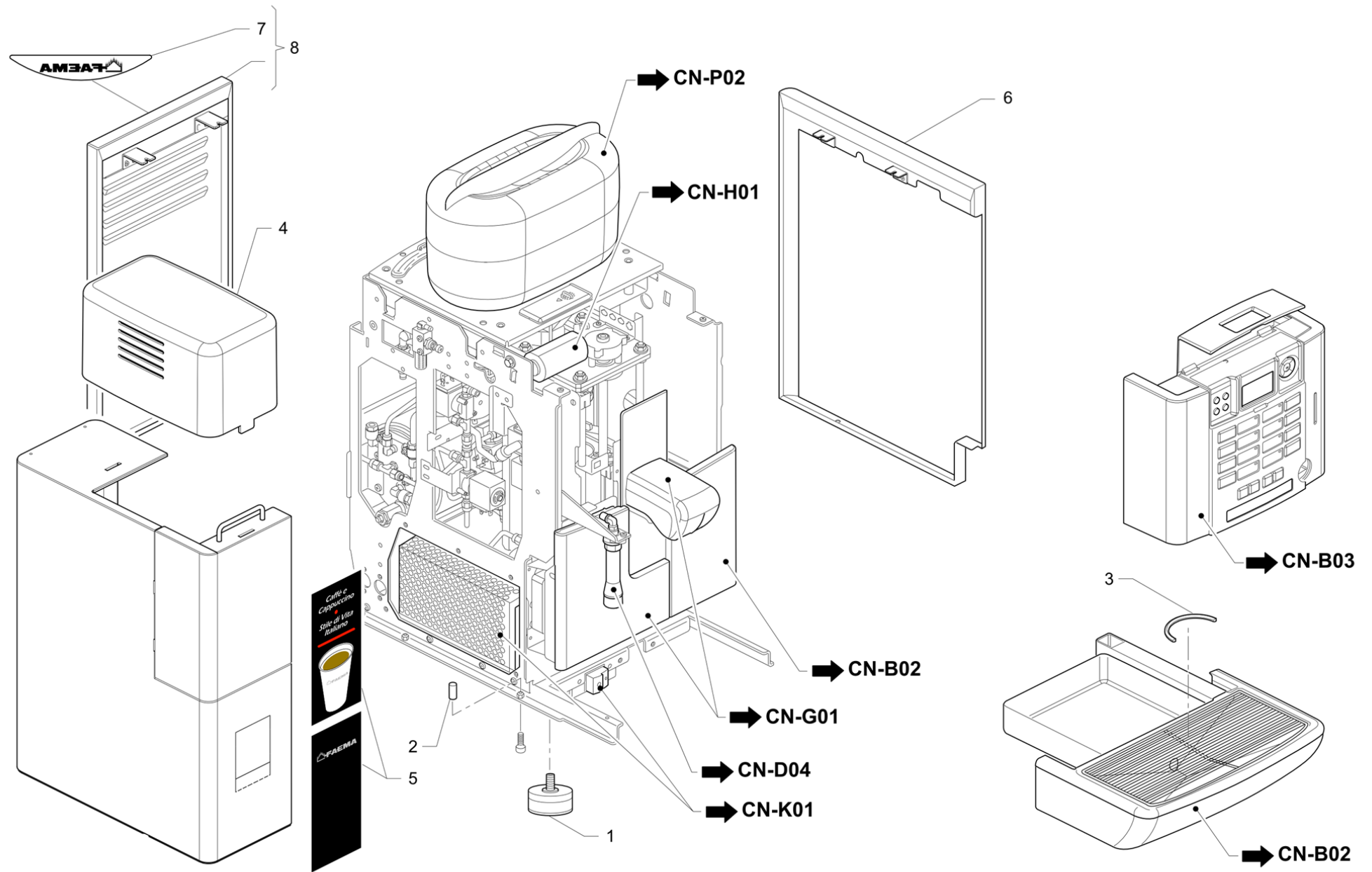
Pos	Part Number	Description	Validity	Notes
1	916504010	VALVE BLOCK-FILL SOLENOID VALVE PIPE		
1	916867000	VALVE BLOCK-FILL SOLENOID VALVE PIPE NF	N:NSF	



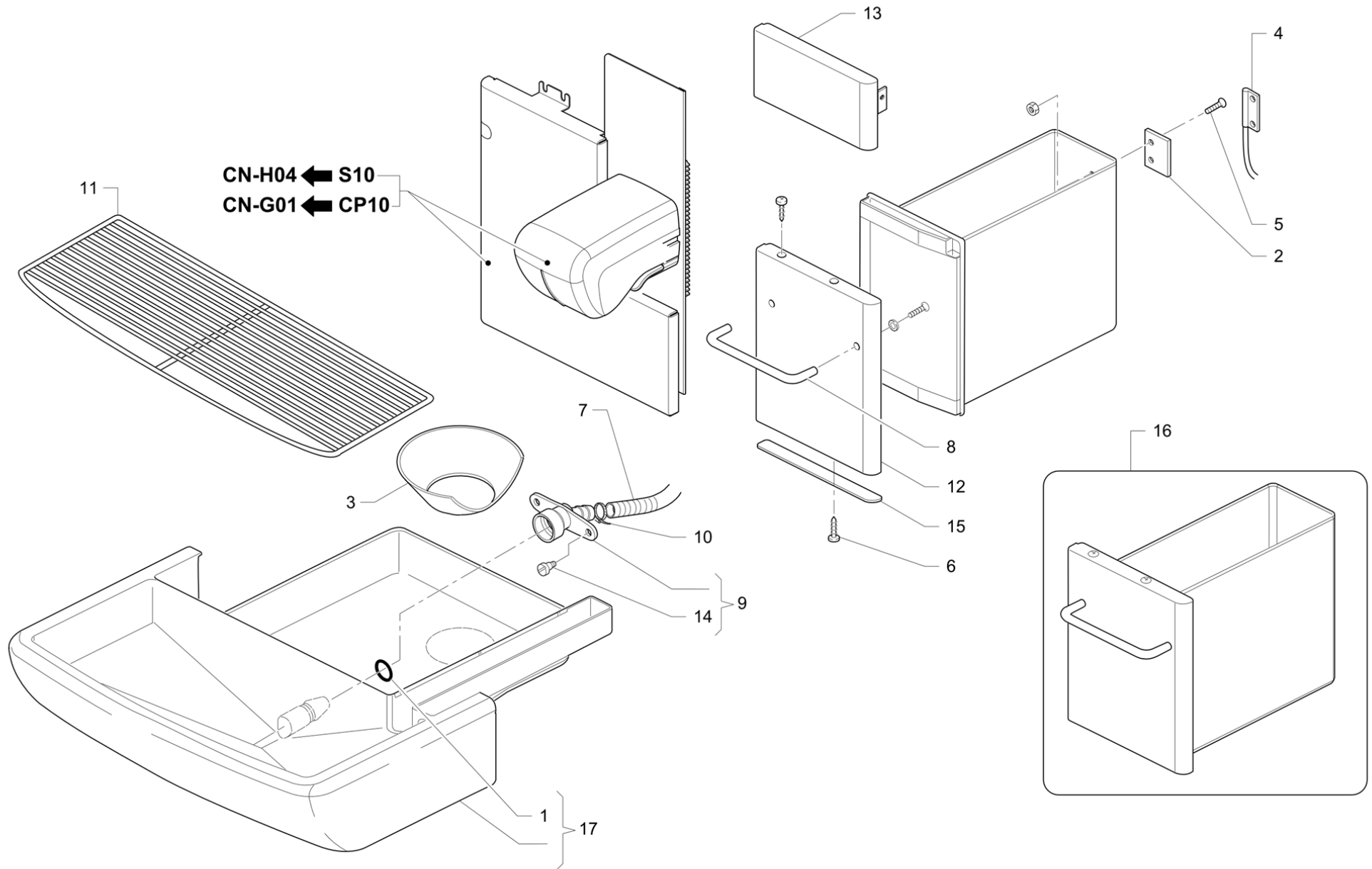
Pos	Part Number	Description	Validity	Notes
1	916930000	BOILER-STEAM SOLENOID VALVE PIPE		
2	916931000	FILL SOLEN.VALVE-SOLEN.VALVE MIXER PIPE		
3	916933000	VALVE BLOCK-FILL SOLENOID VALVE PIPE		



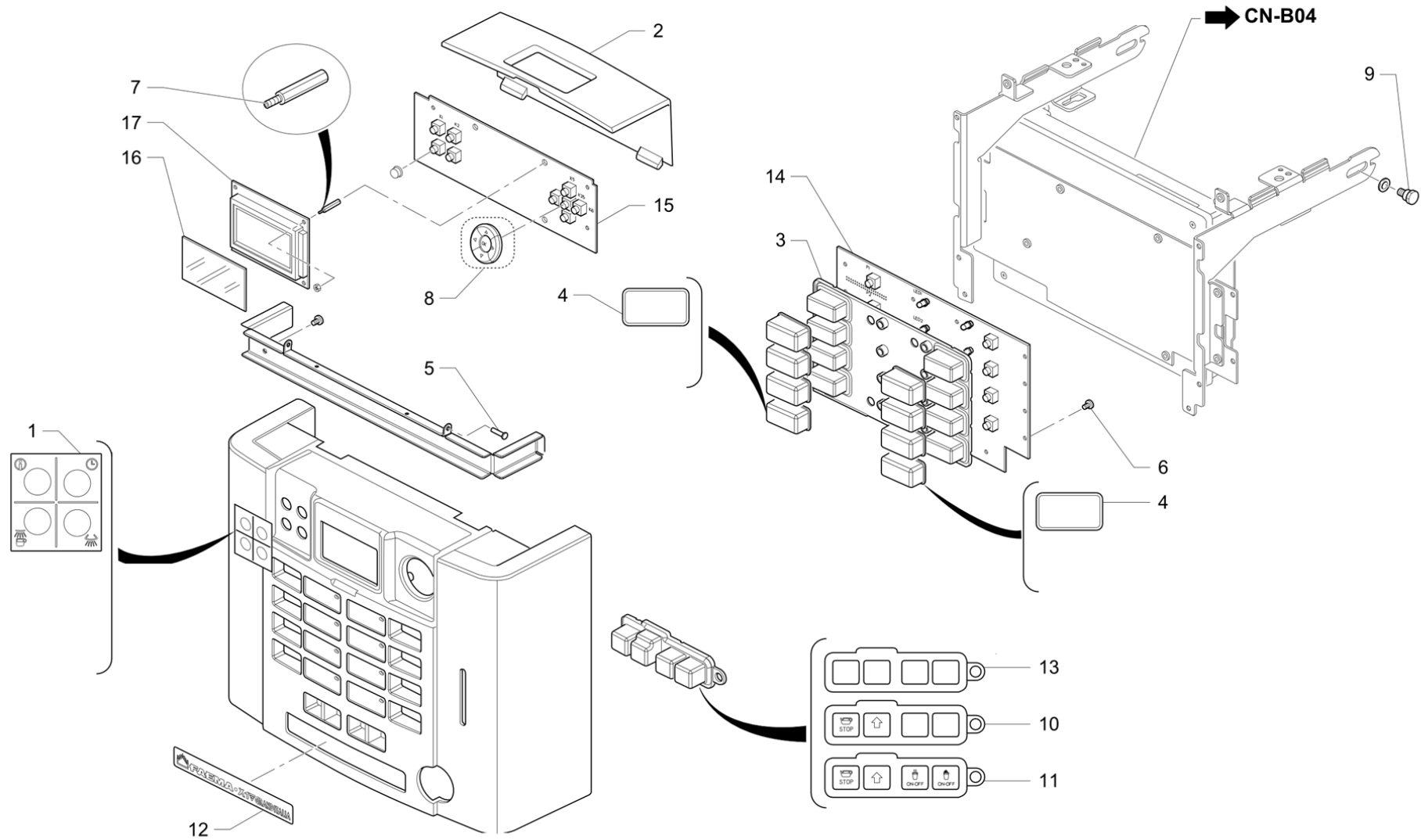
Pos	Part Number	Description	Validity	Notes
1	421921012	FOOT		
2	430061020	PIN		
3	909007000	FAEMA LABEL E91 AMB		
4	532802210	UL FOOT	N:NSF	
4	532804610	ADJUSTABLE FOOT H.68, 5MM	M:JP	
5	916955000	SERIE1 PROGRAM LEFT SIDE PANEL		
6	916956000	SERIE1 PROGRAM RIGHT SIDE PANEL		
7	916954000	SERIE1 PROGRAM BACK PANEL		



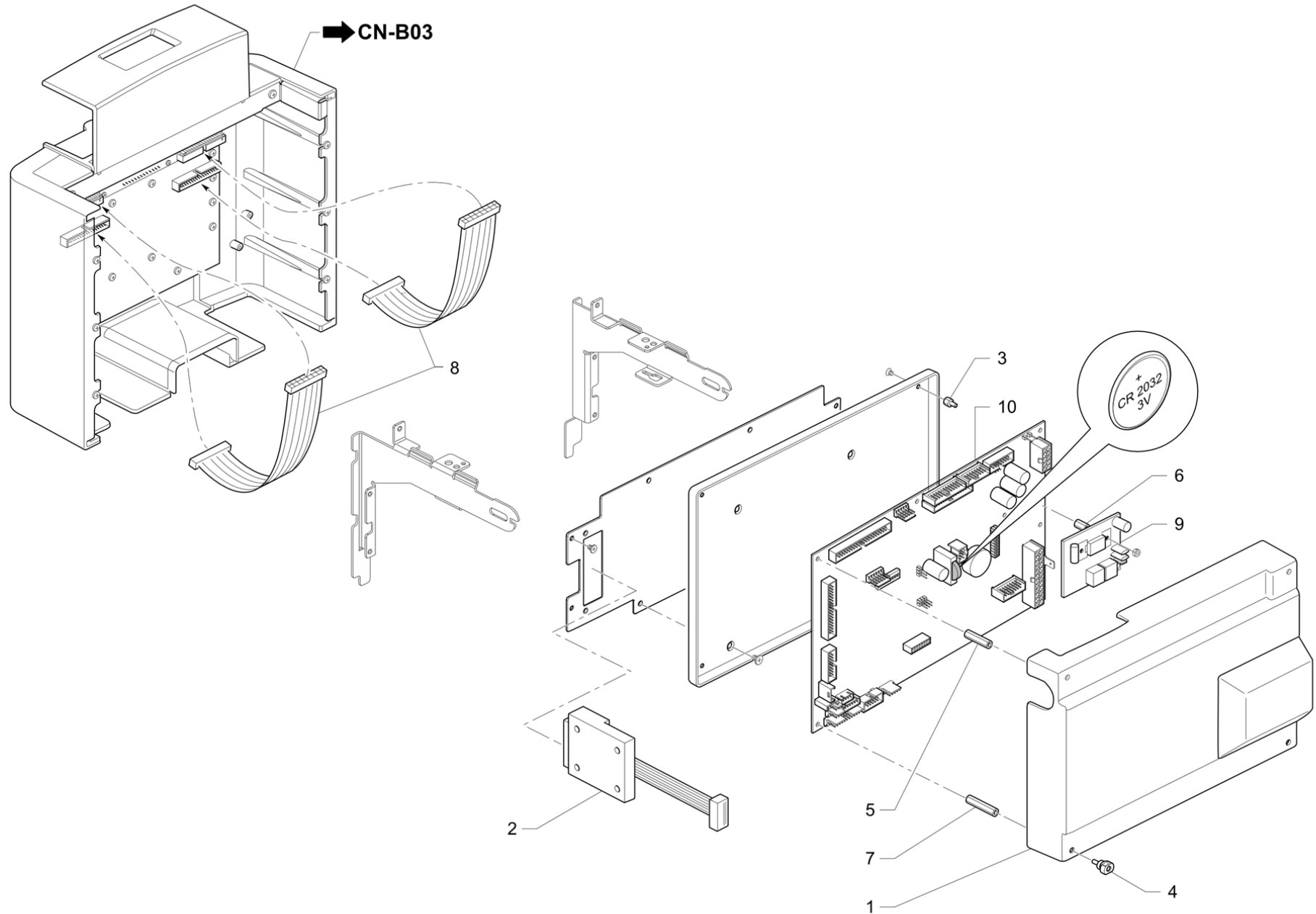
Pos	Part Number	Description	Validity	Notes
1	421921012	FOOT		
2	430061020	PIN		
3	445384017	GLASS POSITIONER		
4	916276024	CS11 COVER HOPPERS		
5	916407000	LABEL SIDE X1 CS11		
6	916956000	SERIE1 PROGRAM RIGHT SIDE PANEL		
7	909007000	FAEMA LABEL E91 AMB		
8	916954000	SERIE1 PROGRAM BACK PANEL		



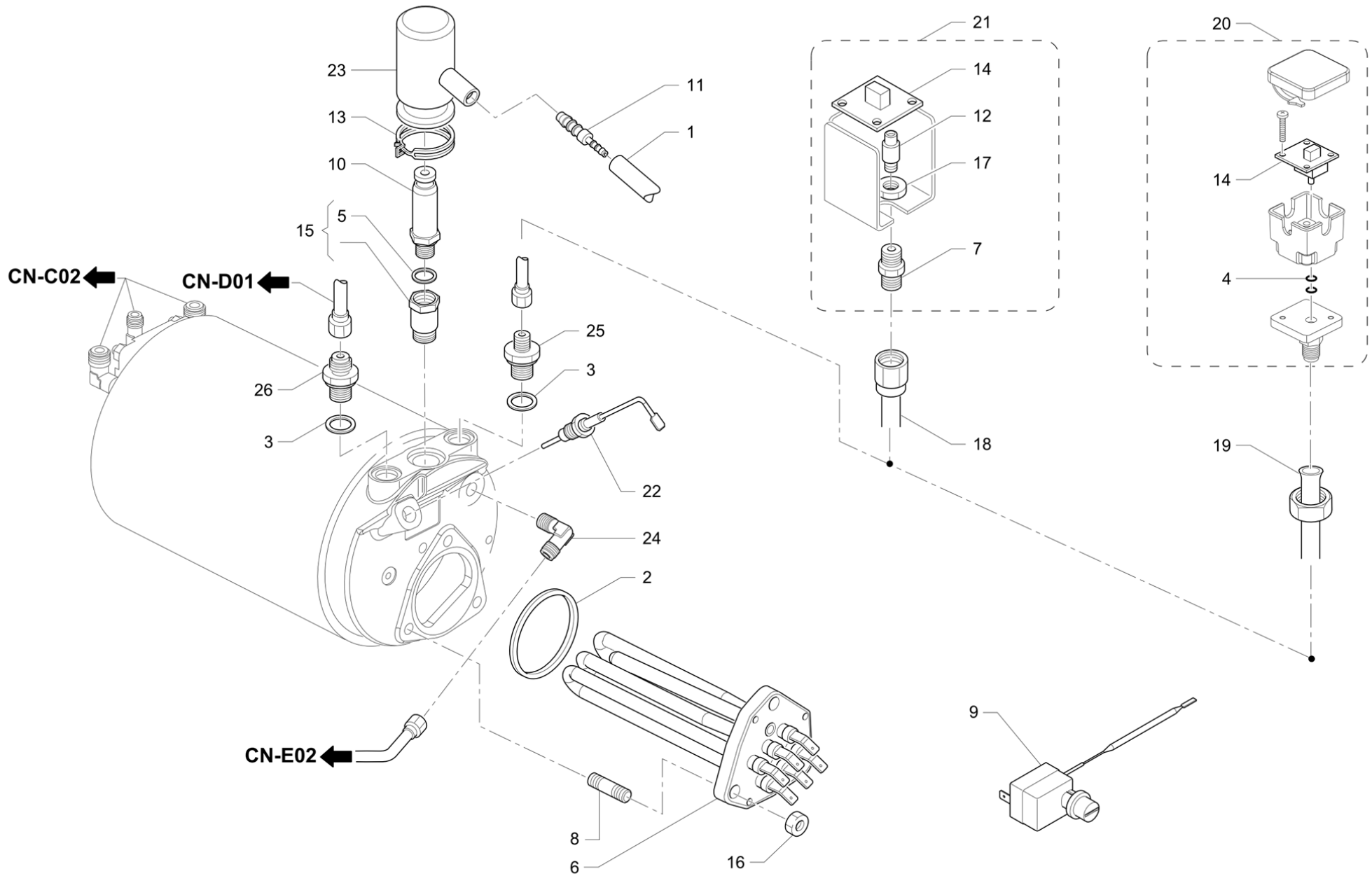
Pos	Part Number	Description	Validity	Notes
1	401347000	O-RING VITON 15,54X2,62		
2	410146000	MAGNETIC CONTACT		
3	431356010	DIRECT DRAIN FUNNEL		
4	463726000	MAGNETIC CONTACT		
5	503604120	S.S. T.SV. M4X12 SCREW		
6	523103120	SCREW 3X12		
7	532302500	DRAIN PIPE		
8	533601000	HANDLE COFFEE PAD CONTAINER		
9	537042200	DRAIN UNION WITH FIXING SCREW		
10	613500396	CLIP 14-24		
11	916038010	M1 CUP-HOLDER GRILLE		
12	916085000	X1 DRAWER CONTAINER PANEL		
13	916086000	PROGRAM DREGS DRAWER PROTECTION		
14	916256000	SCREW M5		
15	916375000	COFFEE PAD CONTAINER PROTECTION		
16	916779000	SERIE1 PROGRAM COFFEE PAD CONTAINER		
17	916794000	SERIE1 PROGRAM DRAIN TRAY		



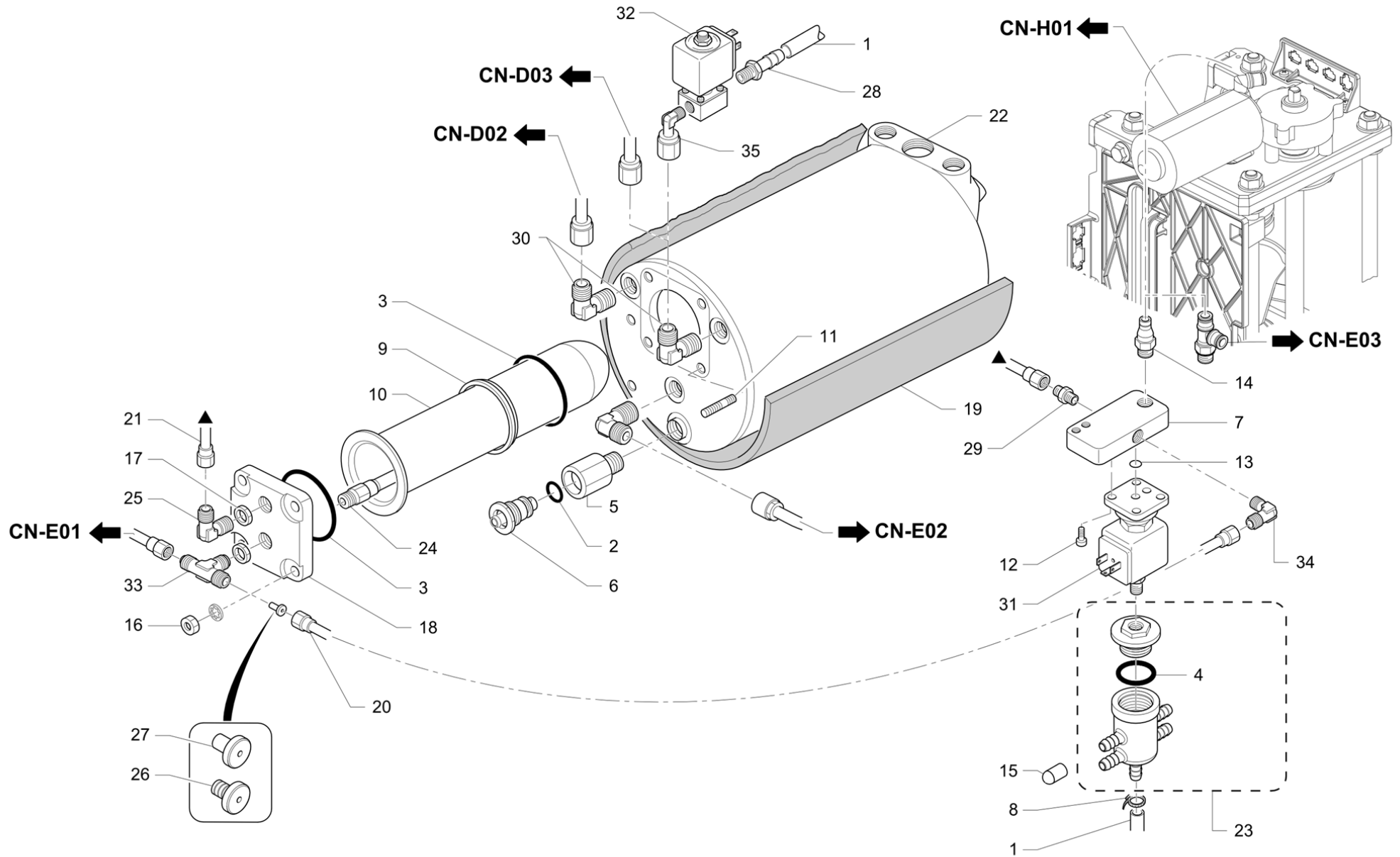
Pos	Part Number	Description	Validity	Notes
1	431152010	SERIE 1, 2, S39 BUTTONS PROGRAM.STICKERS		
2	431336000	SERIE1 PRO PROGRAMMING PANEL PROTECTION		
3	431340000	PUSH BUTTON STRIP M2PRO		
4	431481000	M2PRO PUSH BUTTON		
5	431489000	PIN		
6	523104080	SCREW 4X8		
7	532720600	SPACER H8		
8	537042000	SERIE1, 2, S39 DISPLAY BUTTONS		
9	916072010	CONTROL PANEL PIN		
10	916076000	WATER/SHIFT PUSH BOTTON STRIP X1		
10	916077000	WATER PUSH BOTTON STRIP X1 NF	N:NSF	
11	916078000	WATER/SHIFT/AUTOST.PUSH BOTTON STRIP X1		
11	916079000	WATER/AUTOSTEAM PUSH BOTTON STRIP X1 NF	N:NSF	
12	916181000	"X1 GRANDITALIA" LABEL		
13	916284010	NEUTRAL SERVICE PUSH BOTTON STRIP		
14	916952000	SERIE1 PROGRAM SELECTIONS BOARD		
15	916953000	X1 PUSH BUTTON BOARD		
16	931181000	DISPLAY PROTECTION		
17	931772008	GRAPHIC DISPLAY-WHITE		



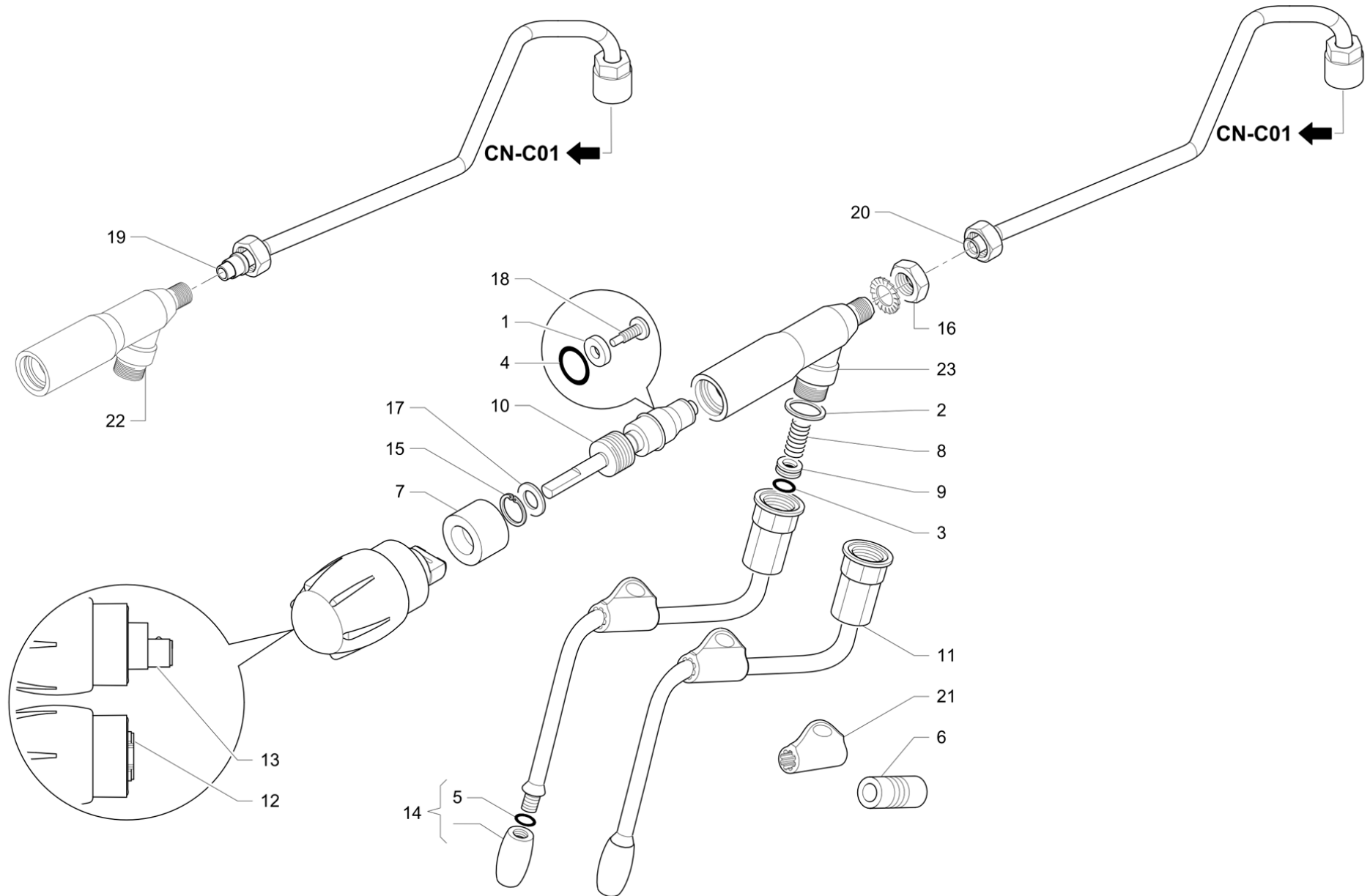
Pos	Part Number	Description	Validity	Notes
1	431295050	CPU BOARD PROTECTION COVER		
2	431491000	CHIP CARD SENSOR		
3	532143400	SPACER M3XH.5		
4	532169900	COVER CPU CASING BLOCKING		
5	532728800	SPACER M3XH.25		
6	532737100	SPACER M3XH.11		
7	532737900	SPACER M3XH.30		
8	535666008	CONTROL PANEL SERIE1 PROGRAM WIRING		
9	932879008	24V DC EXPANSION BOARD		
10	936815000	24V DC CPU BOARD		



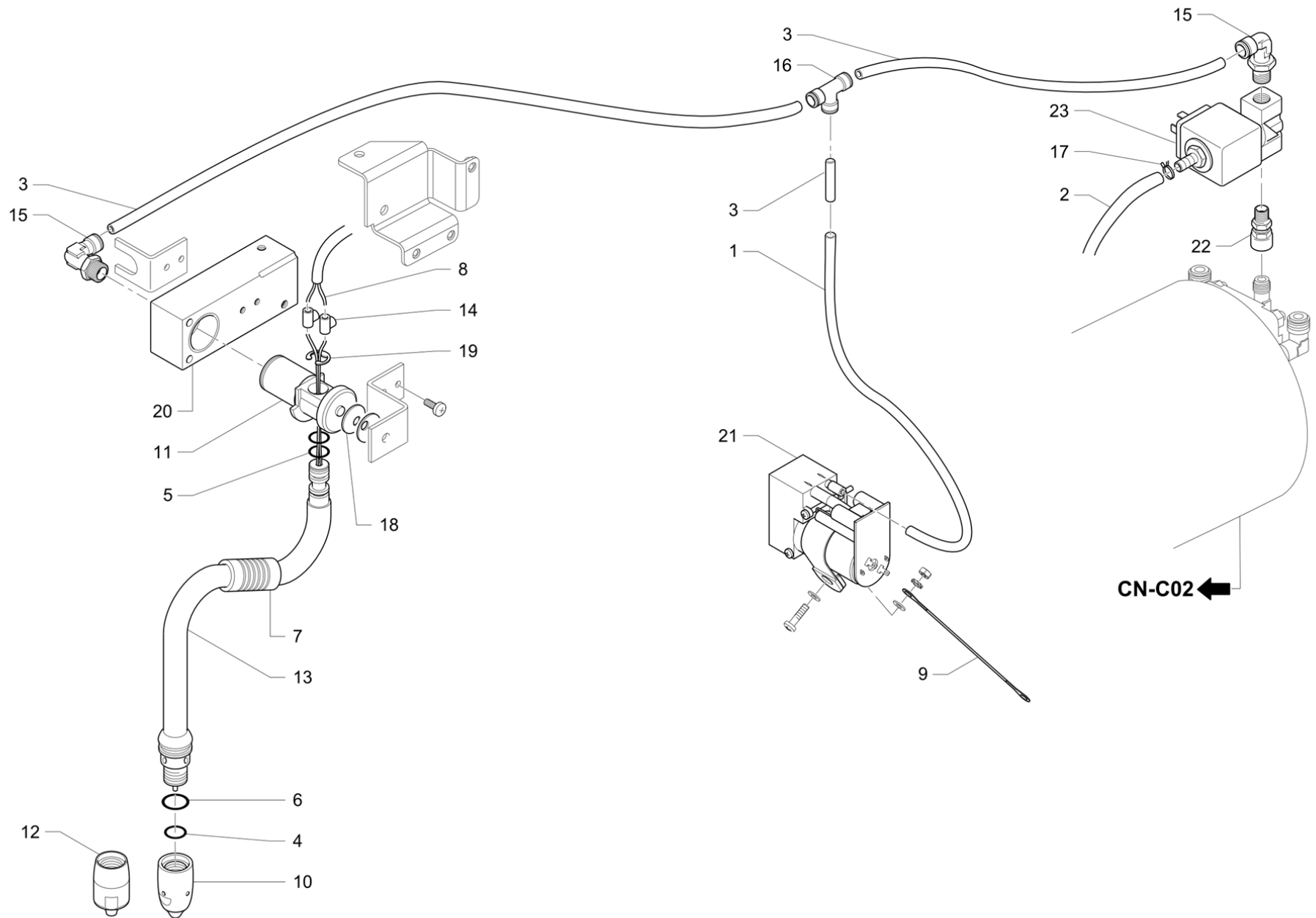
Pos	Part Number	Description	Validity	Notes
1	220000016	SILICONE PIPE D 6X10		
2	401194010	GASKET BOILER FLANGE		
2	402263000	GASKET JPN	M:JP	
3	401214000	GASKET		
3	401214006	GASKET 17,9 X 14,2 X 1,5 NF	N:NSF	
4	401368000	GASKET 2,90X1,78		
5	402302000	GASKET 17X13,2X1X5		
6	428553030	HEATING ELEMENT 2700 W 220V		
6	428553038	220V/2700W NF HEATING ELEMENT	N:NSF	
7	484325000	NIPPLE 1/8 PRESSURE SENSOR		
8	503308200	M8X20 BOLD		
9	531194720	SFTY. THERMOSTAT		
10	532392500	SAFETY VALVE 1,9 1/4G		
11	532600700	HOSE ADAPTOR		
12	532651500	UNION FOR ADD. WATER 3MM.		
13	532746200	CABLE TIE-RAPS WITH SCREW		
14	537046900	PRESSURE SENSOR KIT		
15	537051500	SECURITY VALVE JOINY WITH GAKET		
16	542908080	NUT M8		
17	590133000	COUNTER NUT 1/8		
18	916513010	COPPER PIPE - PRESSURE SENSOR		
18	916513016	COPPER PIPE - PRESSURE SENSOR NF	N:NSF	
19	916513020	COPPER PIPE - PRESSURE SENSOR		
19	916513028	COPPER PIPE - PRESSURE SENSOR NF	N:NSF	
20	916549010	PRESSURE SENSOR ASSEMBLE		
21	916550010	PRESSURE SENSOR ASSEMBLE KIT		
22	916927000	LEVEL PROBE INOX SERIE1		
23	966492000	SAFETY VALVE PROTECTION		
24	555000070R	FITTING		
25	555001143R	FITTING		
26	555001144R	FITTING DOUBLE 1/4-1/4		



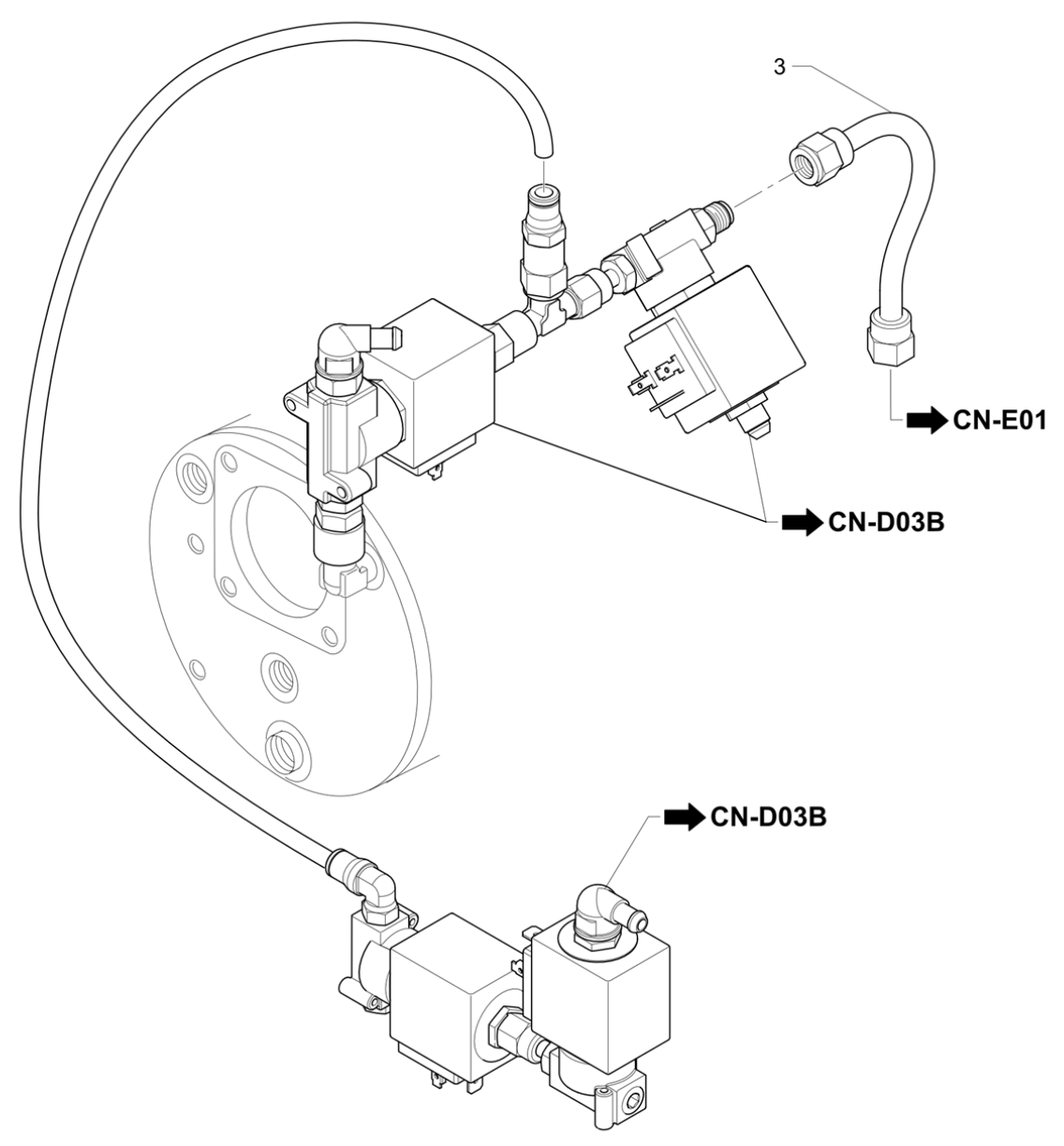
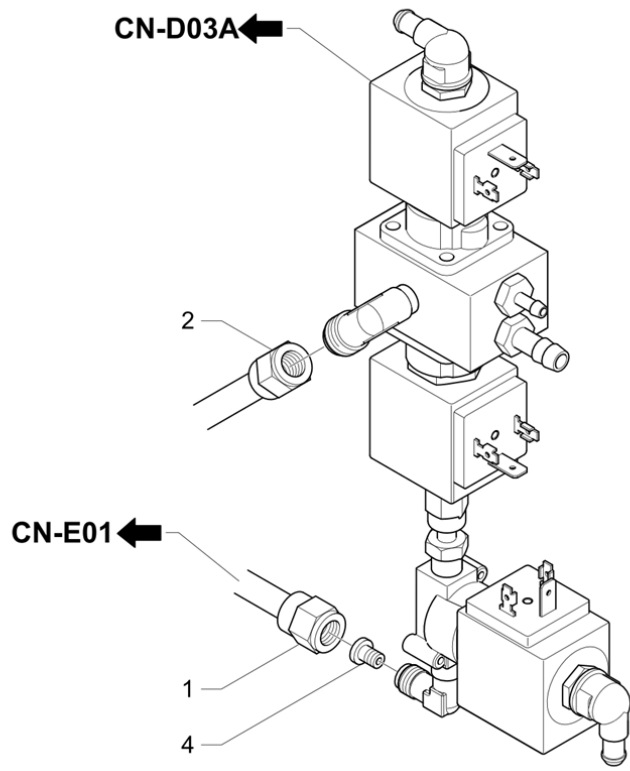
Pos	Part Number	Description	Validity	Notes
1	220000016	SILICONE PIPE D 6X10		
2	402225000	O-RING 9,13X2,62 VIT.		
3	402226000	O-RING 50,39X3,53		
4	402228000	O-RING 18,72X2,62		
5	419076008	TAP BODY		
6	419077000	RELIEF VALVE CAP		
7	427039098	SOLENOID VALVE BASE RUVECO		
8	441170001	CLIP		
9	457165028	HEAT EXCHANGER RING		
10	457207002	HEAT EXCHANGER		
10	457207005	HEAT EXCHANGER NSF-USA-JPNmm21	N:NSF	
11	503306200	M6X20 BOLD		
12	511804120	S.S. M4X12 VTCE SCREW		
13	530501200	OR 2025		
14	532650100	UNION FOR PIPE 4-1/8		
15	532740610	CAP		
16	541806050	NUT M6 S.S.		
17	590133000	COUNTER NUT 1/8		
18	916027008	HEAT EXCHANGER FLANGE		
19	916114000	SERIE1 BOILER INSULATION		
20	916508010	COFFEE SOLENOID-BOILER PIPE		
20	916871000	COFFEE SOLENOID-BOILER PIPE NF	N:NSF	
21	916509010	BOILER-COFFEE SOLENOID PIPE		
21	916872000	BOILER-COFFEE SOLENOID PIPE NF	N:NSF	
22	916523028	SERIE1 BOILER		
23	916537010	EXPANSION TANK ASS.		
24	916543010	PIPE SUPPLYING EXCHANGER		
25	921405008	JOINT 1/8		
26	931211000	NOZZLE OF 1MM INOX		
27	931222000	NOZZLE § 1,5MM INOX		
28	5323011009	CONNECTOR		
29	532501800R	FITTING 1/8 X 1/8		
30	532503500R	1/4-1/4 UNION		
31	533896500R	SOLENOID VALVE 24V DC		
32	533896600R	SOLENOID VALVE 24V DC		
33	555000050R	FITTING		
34	555000070R	FITTING		
35	916534000R	REVOLVING UNION ELBOW 1/4X1/8		



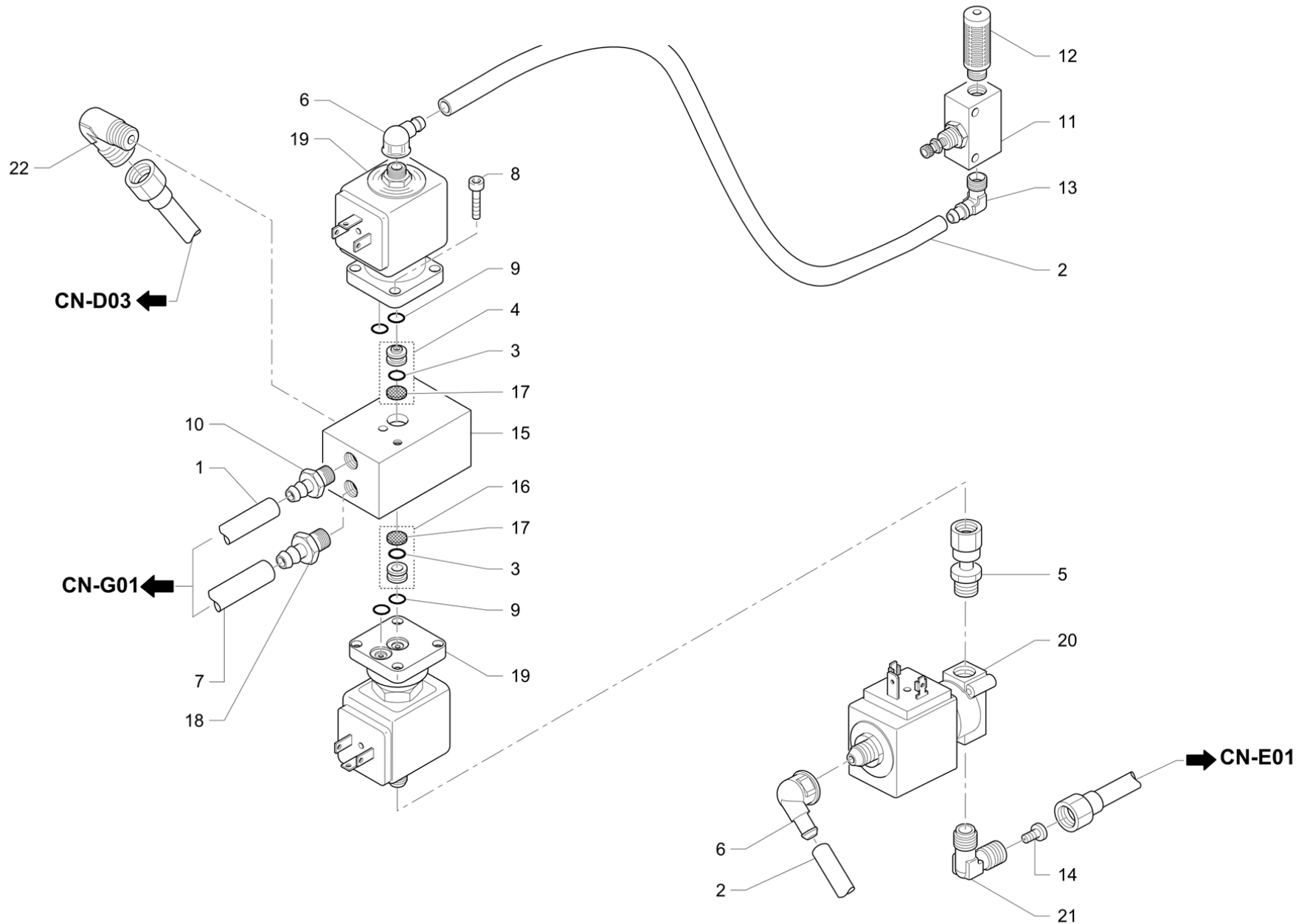
Pos	Part Number	Description	Validity	Notes
1	400274020	GASKET TAP		
2	401183010	GASKET 22X17X1,5		
3	402209000	O-RING GASKET 10,82X1,78 NF		
4	402219000	O-RING 10,78X2,62 NF		
5	402223000	O-RING 7,65X1,78		
6	430119010	SLEEVE		
7	484159010	SPACER		
8	485061010	STAIN LESS STEEL SPRING		
9	485078010	GASKET		
10	485910010	STEM COMPL.		
11	485965020	STEAM TUBE		
12	492902000	STEAM/WATER KNOB		
13	492905000	KNOB		
14	537023100	STEAM NOZZLE		
15	568101000	RING SEEGER		
16	590128010	COUNTER NUT 1/4		
17	590715000	WASHER 22,15 X 1,2		
18	590791010	SCREW		
19	916526000	BOILER-STEAM TAP PIPE X1		
19	916526006	BOILER-STEAM TAP PIPE X1 NF	N:NSF	
20	916526010	BOILER-STEAM TAP PIPE X1		
20	916526018	BOILER-STEAM TAP PIPE X1 NF RUV	N:NSF	
21	927132010	MANIFOLD		
22	485574010F	STEAM TAP BODY		
23	985712020F	STEAM TAP BODY ASSEMBLY ENVELOPE SEAL SP		



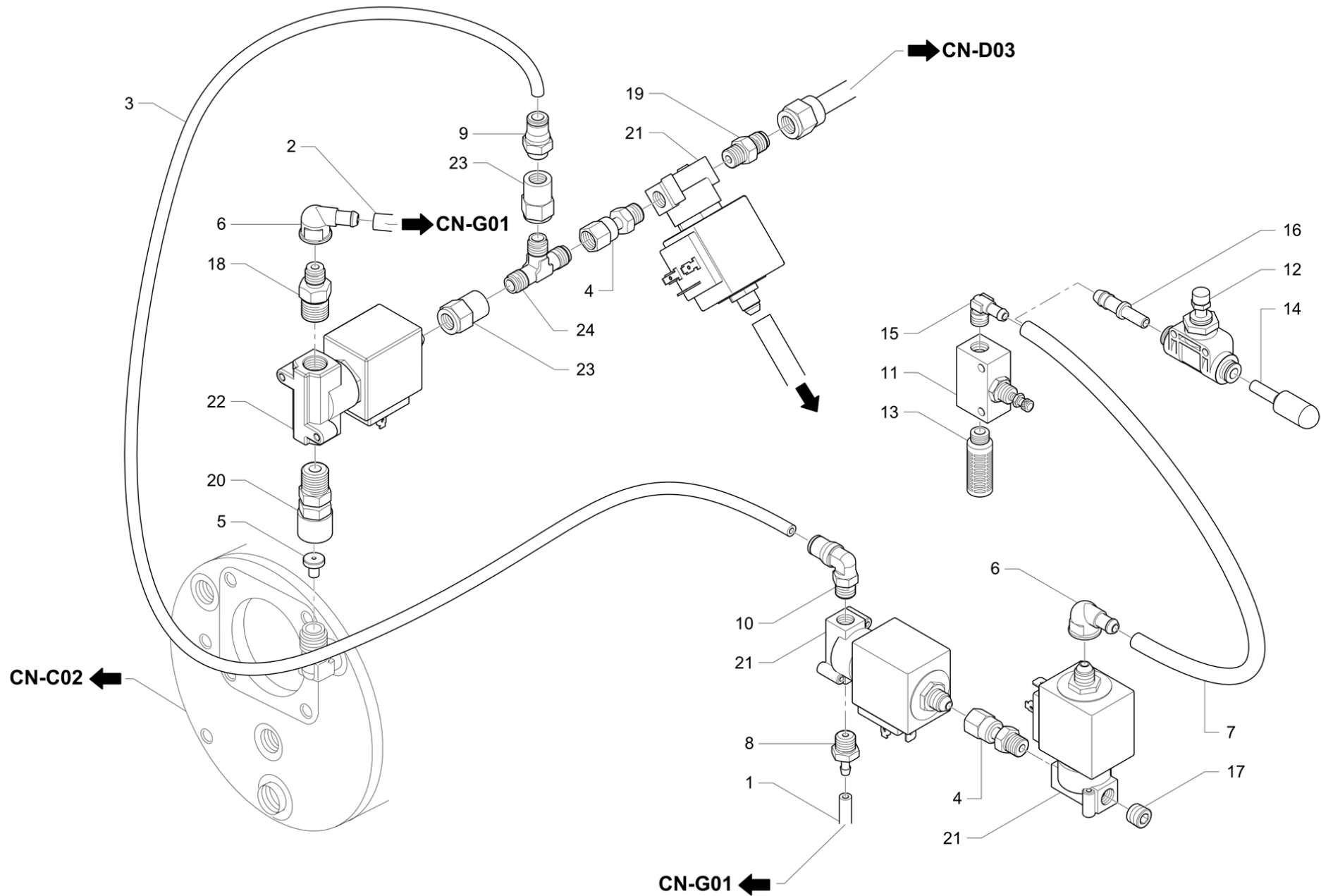
Pos	Part Number	Description	Validity	Notes
1	220000013	SILICONE PIPE D 3X6		
2	220000016	SILICONE PIPE D 6X10		
3	220000022	RISLAN PIPE 4X6		
4	402293000	OR 9.75x1.78 VITON AL 75 GREEN (NSF)		
5	402217000	GASKET 8,73X1,78 NF		
6	402218000	GASKET 14X1.78 NF		
7	430119010	SLEEVE		
8	431570010	SHIELDED CABLE		
9	431571000	MASS CABLE		
10	485206040	STEAM OUTLET WITH THERMOCOUPLE ø1,75		
10	485226050	THERMOCOUPLE STEAM BULB		
11	485240026	STEAM WAND UNION		
12	485244040	THERMOCOUPLE STEAM TIP (HOLES §1)		
13	485578020	STEAM WAND WITH THERMOCOUPLE SERIES 3		
14	532149500	TERMINAL		
15	532651100	UNION 90 6MM PIPE		
16	532652700	FAST UNION "T" FOR PIPE D.6		
17	532704200	DOUBLE CABLE TIE-RAPS		
18	565918620	SPRING 18X6,2X0,5 S.S.		
19	568808010	RING		
20	920583010	STEAM TAP		
21	938898000	12 V COMPRESSOR KIT		
22	532550300R	UNION		
23	533896900R	SOLENOID VALVE 3G 24V DC		



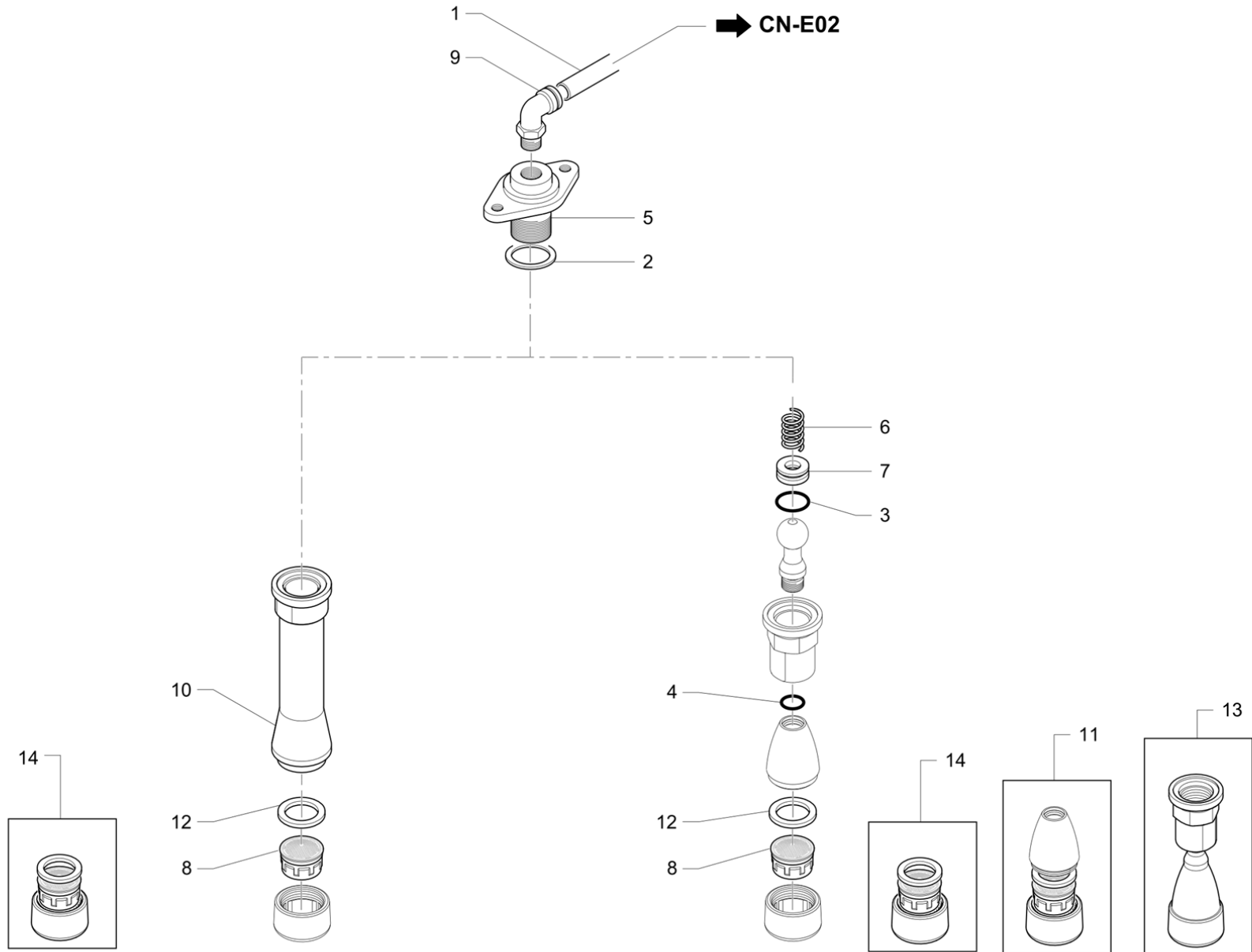
Pos	Part Number	Description	Validity	Notes
1	916510010	CAPP. MAKER WASHING TUBE		
2	916511030	BOILER PIPE-SOLENOID VALVE BLOCK		
2	916511036	BOILER PIPE-SOLENOID VALVE BLOCK NF	N:NSF	
3	916552010	TUBE ELF		
3	916564000	PIPE NSF	N:NSF	
4	931211000	NOZZLE OF 1MM INOX		



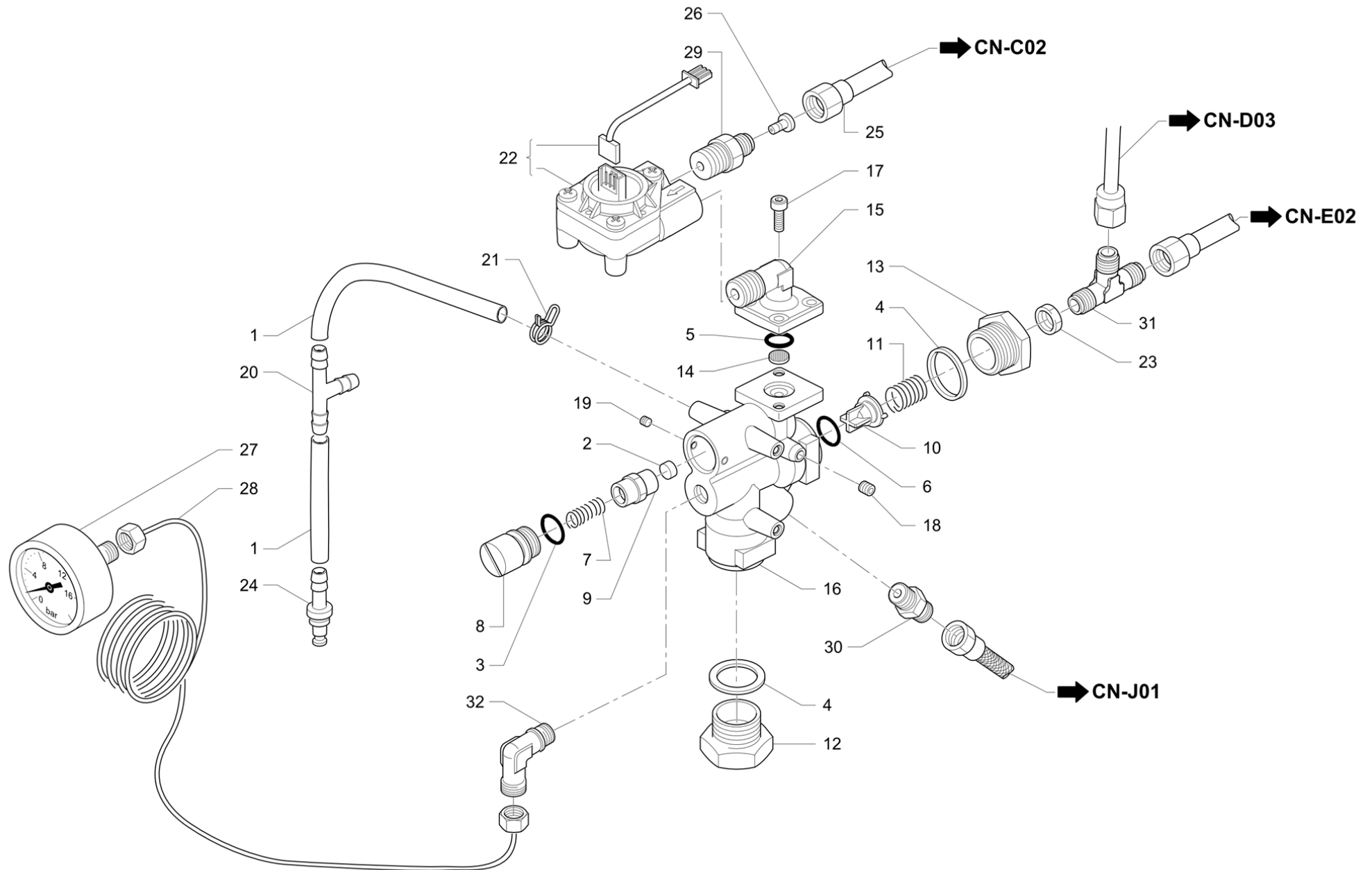
Pos	Part Number	Description	Validity	Notes
1	220000013	SILICONE PIPE D 3X6		
2	220000014	SILICONE PIPE D 4X8		
3	402198000	GASKET		
4	431792000	BUSHING WITH NOZZLE DIAM. 1MM		
5	431793000	STRAIGHT UNION		
6	448138018	UNION 1/8 F		
7	484391000	4,8X7,9X1000 SILICON PIPE		
8	511804120	S.S. M4X12 VTCE SCREW		
9	530501200	OR 2025		
10	532503800	1/8 GAS UNION		
11	533590700	AIR VALVE		
12	534600100	FILTER AIR CAPP.		
13	591410008	FITTING		
14	931211000	NOZZLE OF 1MM INOX		
15	931220000	FROTHER SOLENOID VALVE BLOK		
16	932880000	DIA.2,0MM JET ASSEMBLY		
17	4771116081	FILTER SCREEN VALVE BLOCK		
18	5323011009	CONNECTOR		
19	533896700R	SOLENOID VALVE 3G §2,5 24V DC		
20	533896800R	SOLENOID VALVE 3G 24V DC		
21	555000070R	FITTING		
22	555000074R	FITTING		



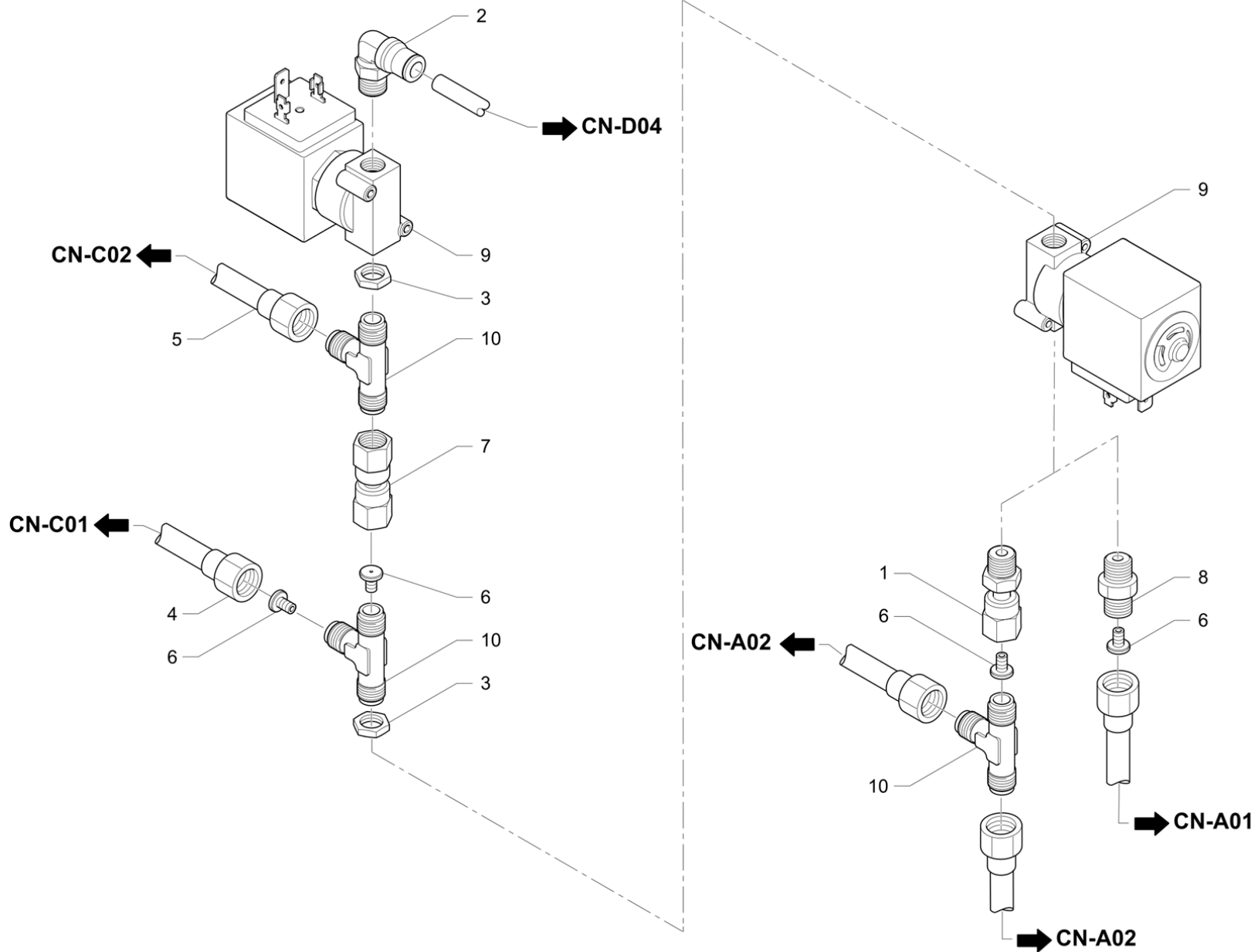
Pos	Part Number	Description	Validity	Notes
1	220000013	SILICONE PIPE D 3X6		
2	220000014	SILICONE PIPE D 4X8		
3	220000022	RISLAN PIPE 4X6		
4	431793000	STRAIGHT UNION		
5	432364000	NOZZLE § 2MM INOX		
6	448138018	UNION 1/8 F		
7	484391000	4,8X7,9X1000 SILICON PIPE		
8	532503800	1/8 GAS UNION		
9	532650900	UNION FOR TUBE 6 MM		
10	532651800	FAST UNION D.6		
11	533590700	AIR VALVE		
12	533590900	AIR REGULATOR		
13	534600100	FILTER AIR CAPP.		
14	534600300	SILENCER		
15	591410008	FITTING		
16	934168010	HOSE ADAPTOR FOR QUICK CONNECTION		
17	532501300R	SCREW SO-40371-1/8		
18	532501500R	STRAIGHT PIPE		
19	532501800R	FITTING 1/8 X 1/8		
20	532550300R	UNION		
21	533896800R	SOLENOID VALVE 3G 24V DC		
22	533896900R	SOLENOID VALVE 3G 24V DC		
23	555000035R	FITTING		
24	555000050R	FITTING		



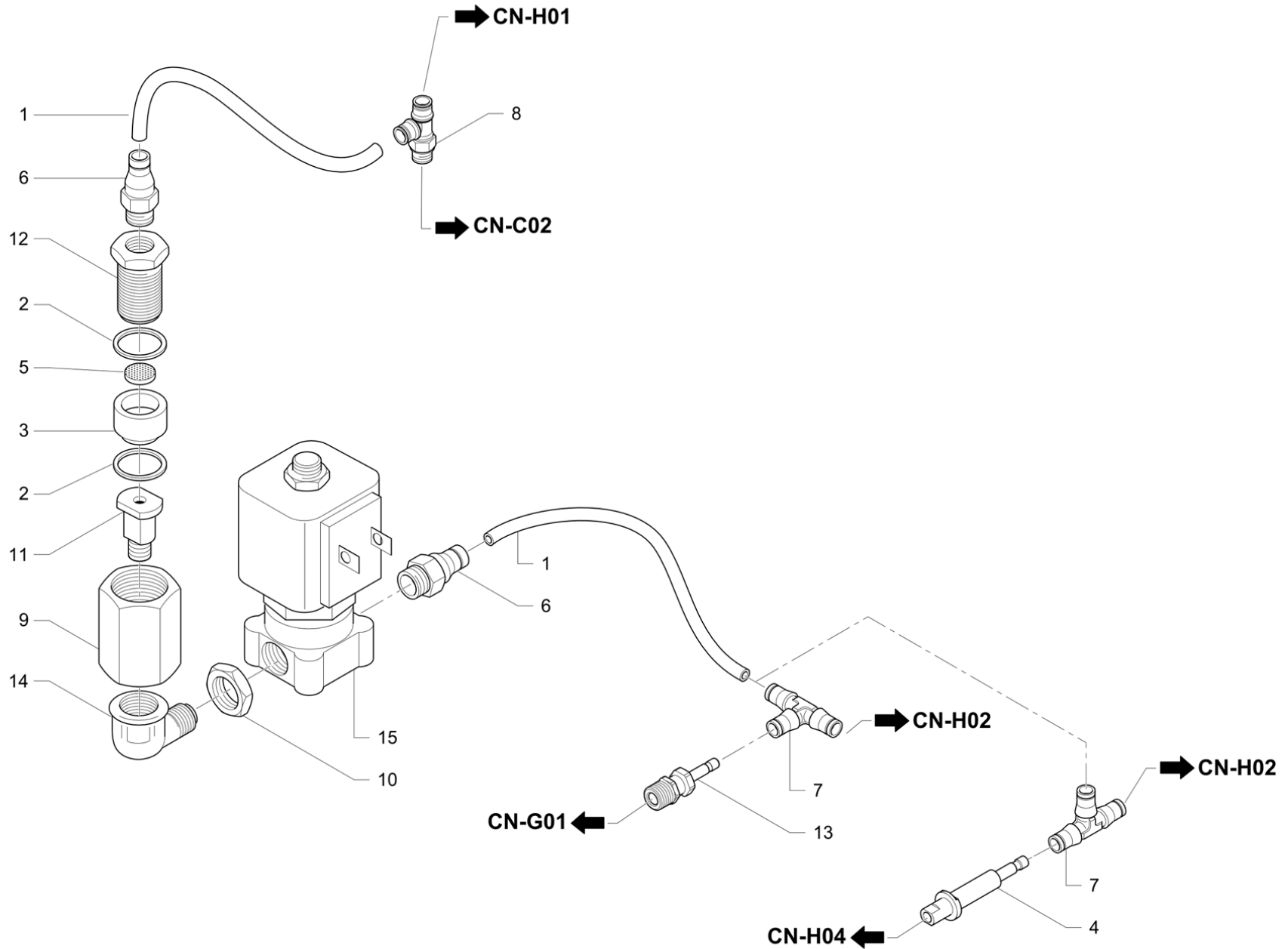
Pos	Part Number	Description	Validity	Notes
1	220000022	RISLAN PIPE 4X6		
2	401183010	GASKET 22X17X1,5		
3	401204000	GASKET		
4	402210000	O-RING GASKET 6,75 X 1,78 NF		
5	484016048	CONNECTOR FOR DISPENSER		
6	485061010	STAIN LESS STEEL SPRING		
7	485078010	GASKET		
8	532305000	FILTER		
9	532651800	FAST UNION D.6		
10	916295000	WATER DELIVERY BODY		
11	985717010	WATER WAND		
12	402320000F	21X15X2 NSF SEAL		
13	936960020F	WATER WAND ASSEMBLY W/PLASTIC CAP		
14	985716020F	M22X1 JET BREAKER		



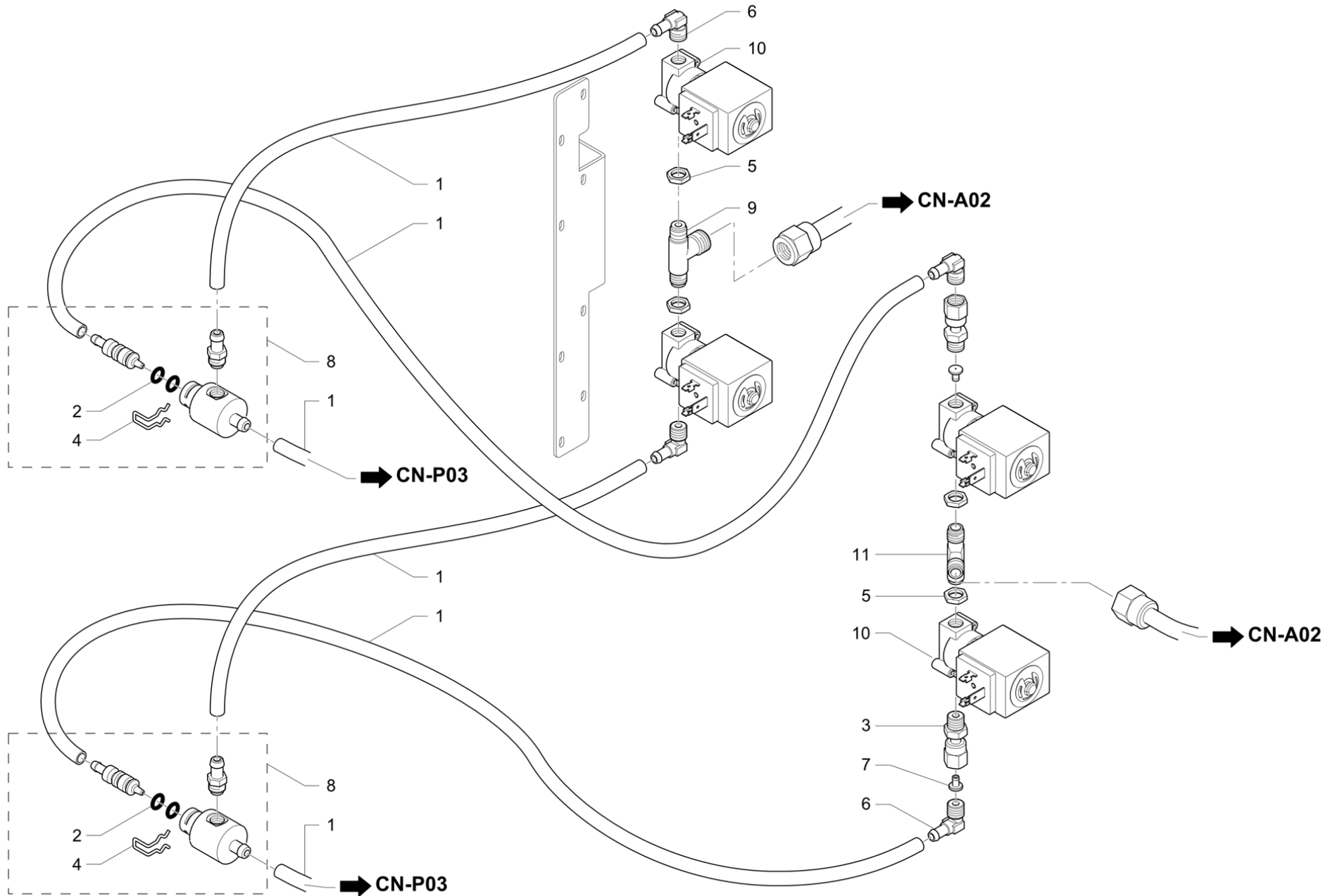
Pos	Part Number	Description	Validity	Notes
1	220000016	SILICONE PIPE D 6X10		
2	400244000	GASKET BLIND		
2	402203000	GASKET BLIND NF	N:NSF	
3	400279000	O-RING 113		
3	402219000	O-RING 10,78X2,62 NF	N:NSF	
4	400335010	GASKET 21X24,5X1,5		
5	401338000	O-RING 9,25X1,78		
5	402195000	O-RING 9,25X1,78 NF	N:NSF	
6	402220000	O-RING 9,13X2,62		
7	415004000	STAINLESS STEEL SPRING		
8	415019010	EXPANSION VALVE ADJUSTING SCREW		
9	415020000	GASKET HOLDER		
10	418012028	SHORT VALVE		
11	418014000	SPRING FOR VALVE		
12	419082000	CLOSING COVER		
13	419083000	CAP EXPANSION		
14	481361000	FILTER WITH HOLDER 9X1.5 INOX		
15	484021008	UNION		
16	484595000	VALVE BODY M3 WITH CONNETION		
17	511804120	S.S. M4X12 VTCE SCREW		
18	512605060	SCREW		
19	512904050	S.S. M4X5 SCREW		
20	532302100	T - FITTING		
21	532704200	DOUBLE CABLE TIE-RAPS		
22	534393100	FLOWMETER WITH ADAPTOR		
23	590133000	COUNTER NUT 1/8		
24	916184010	1/8 GAS UNION		
25	916507010	FLOW METER-BOILER PIPE		
25	916870000	FLOW METER-BOILER PIPE NF	N:NSF	
26	920042000	NOZZLE § 0,8MM INOX		
27	3781133399	PUMP GAUGE		
28	3951133673	TUBE FOR GAUGE		
29	532501500R	STRAIGHT PIPE		
30	532501800R	FITTING 1/8 X 1/8		
31	555000050R	FITTING		
32	555000070R	FITTING		



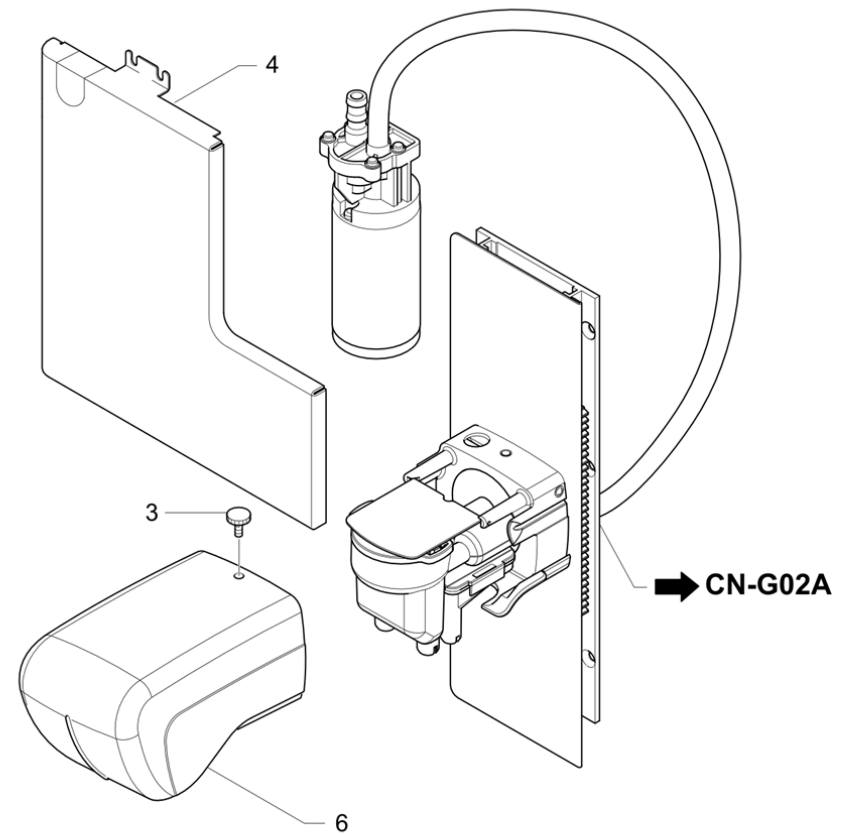
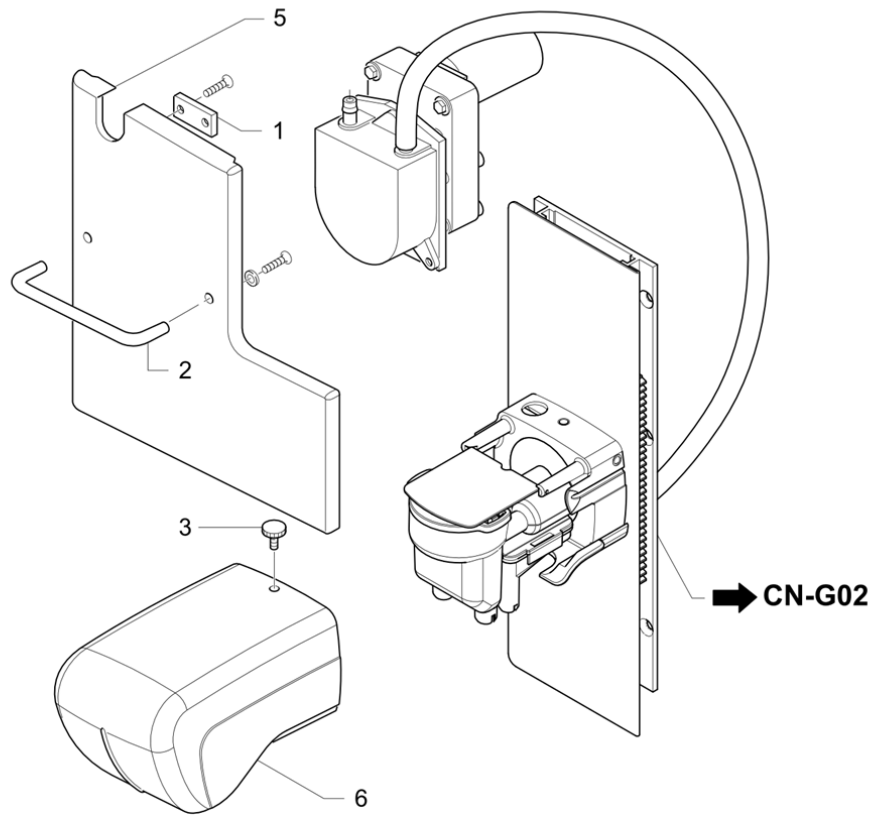
Pos	Part Number	Description	Validity	Notes
1	431793000	STRAIGHT UNION		
2	532651800	FAST UNION D.6		
3	590133000	COUNTER NUT 1/8		
4	916505020	BOILER INLET TUBE		
4	916868010	BOILER INLET TUBE NF	N:NSF	
5	916506010	BOILER-WATER SOLENOID PIPE		
5	916869000	BOILER-WATER SOLENOID PIPE NF	N:NSF	
6	931211000	NOZZLE OF 1MM INOX		
7	482833000R	ADJUSTABLE FITTING 1/8		
8	532501800R	FITTING 1/8 X 1/8		
9	533896600R	SOLENOID VALVE 24V DC		
10	555000050R	FITTING		



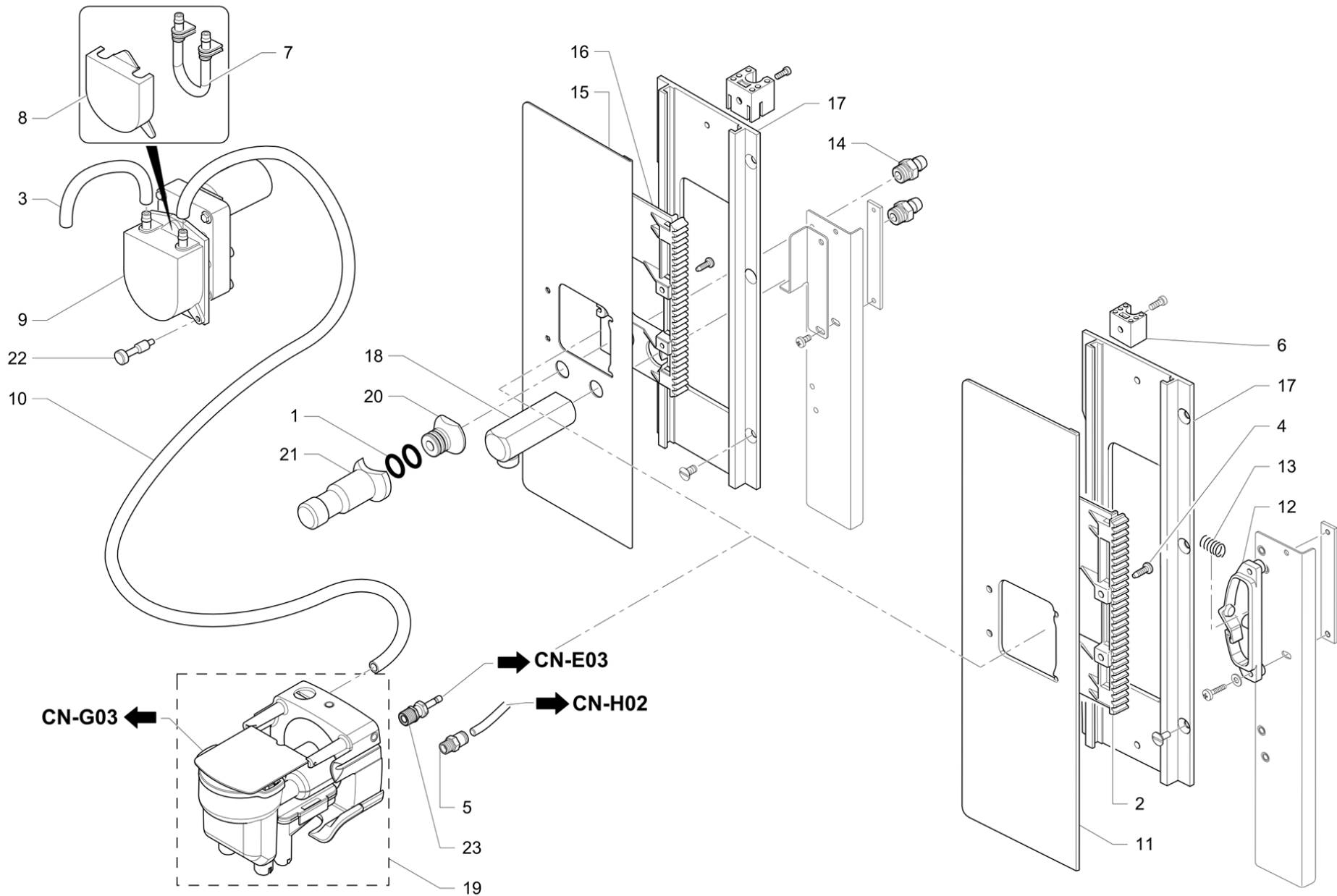
Pos	Part Number	Description	Validity	Notes
1	220000021	TEFLON TUBE D 2,5X4		
2	401234000	GASKET COPPER		
3	428706010	NOZZLE § 0,35M INOX		
4	431007010	UNION		
5	481361000	FILTER WITH HOLDER 9X1.5 INOX		
6	532650100	UNION FOR PIPE 4-1/8		
7	532651600	UNION T 4MM		
8	532653400	T FAST UNION		
9	590021000	FITTING 3/8 GAS BRASS		
10	590133000	COUNTER NUT 1/8		
11	591430018	FITTING INJECTOR		
12	594527008	NIPPLES 3/8 X 1/8 F		
13	938002000	ADAPATOR		
14	532501600R	FITTING 1/8 F		
15	533896600R	SOLENOID VALVE 24V DC		



Pos	Part Number	Description	Validity	Notes
1	220000028	SILICONE PIPE D 5X8		
2	401371000	GASKET 6,75 X 1,78		
3	431793000	STRAIGHT UNION		
4	485147000	SPRING		
5	590133000	COUNTER NUT 1/8		
6	591410008	FITTING		
7	920041000	NOZZLE § 0,6MM NF		
8	933968000	STEAM+WATER ECONOMIZER		
9	532503000R	T - FITTING 1/8X1/8X3/8		
10	533896600R	SOLENOID VALVE 24V DC		
11	555000050R	FITTING		



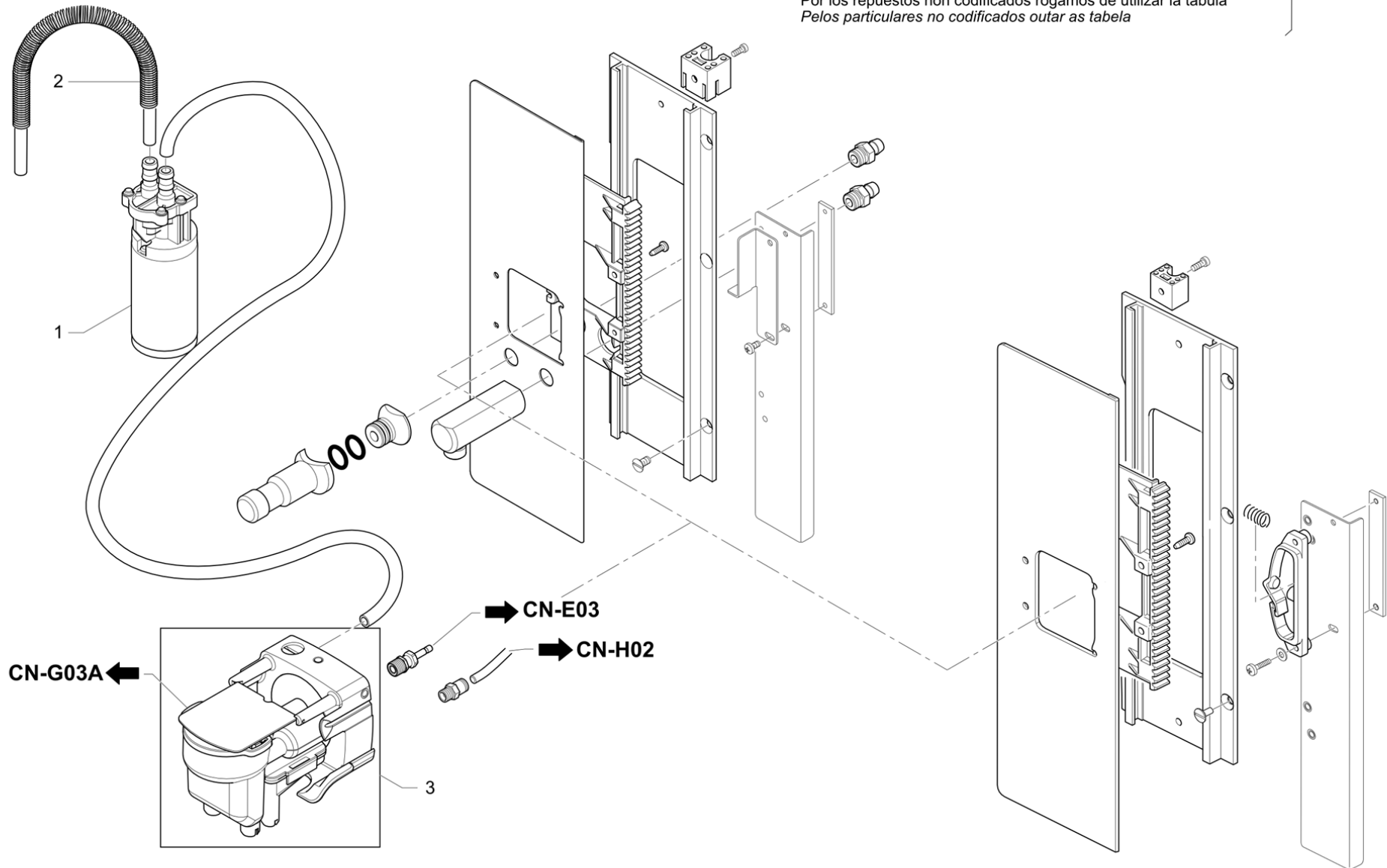
Pos	Part Number	Description	Validity	Notes
1	430020020	MAGNET DRIP TRY		
2	533601000	HANDLE COFFEE PAD CONTAINER		
3	910353000	KNOB		
4	916084020	X1 S10 LEFT FRONT PANEL		
5	916520000	SERIE1 PROGRAM LEFT FRONT PANEL		
6	916963000	BLACK CAPPUCCINO DELIVERY CARTER SELF		



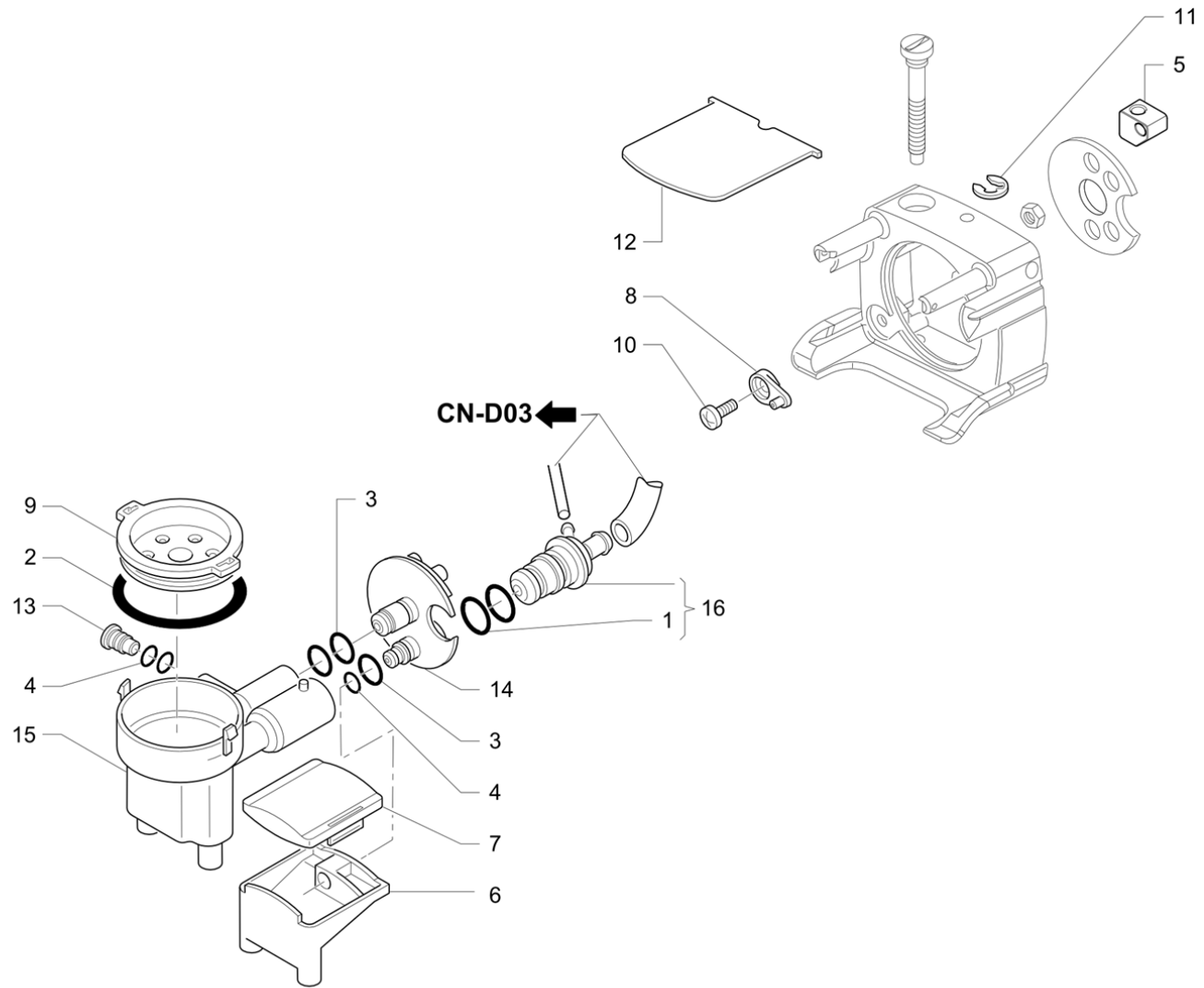
Pos	Part Number	Description	Validity	Notes
1	401362000	O-RING 10,82 X 1,78		
2	431313010	SLIDING MILK FROTHER		
3	484391000	4,8X7,9X1000 SILICON PIPE		
4	523003100	SCREW 3X10		
5	532650800	UNION FOR DELIVERY 1/8		
6	532728900	COLLAR		
7	533198410	PERISTALTIC MILK TUBE		
8	533198500	MILK PUMP COVER		
9	533198600	PERISTALTIC MILK PUMP		
10	910289000	NORPRENE TUBE 4,8X8X370		
11	916071000	CAPPUCCINO DELIVERY SPOUT PLATE		
12	916141010	CAPP.DELIVERY SPOUT CRICK		
13	916255000	SPRING CAPP.DELIVERY SPOUT FOR SERIE1		
14	916280010	UNION 1/8		
15	916281000	CS11 DELIVERY SPOUT PLATE		
16	916282000	SLIDING CAPPUCCINO CS11		
17	916283020	MILKFROTHER RUT		
18	916536000	M1 SELF WATER SPOUT		
19	916964020	COMPLETE FROTHER KIT		
20	931045000	FITTING CHCOLATE DELIVERY SPOUT		
21	931046010	CHOCOLATE DELIVERY SPOUT		
22	931148000	BLOCKING SCREW		
23	938002000	ADAPATOR		

Per i particolari non codificati vedere la tabella
 Pour les pièces détachées pas codifiées se référer aux vues éclatées
 For the parts not listed, please refer to the table
 Bezüglich der nicht kodifizierten Ersatzteile bitte die Tabelle verwenden
 Por los repuestos no codificados rogamos de utilizar la tabula
 Pelos particulares no codificados outar as tabela

➔ **CN-G02**



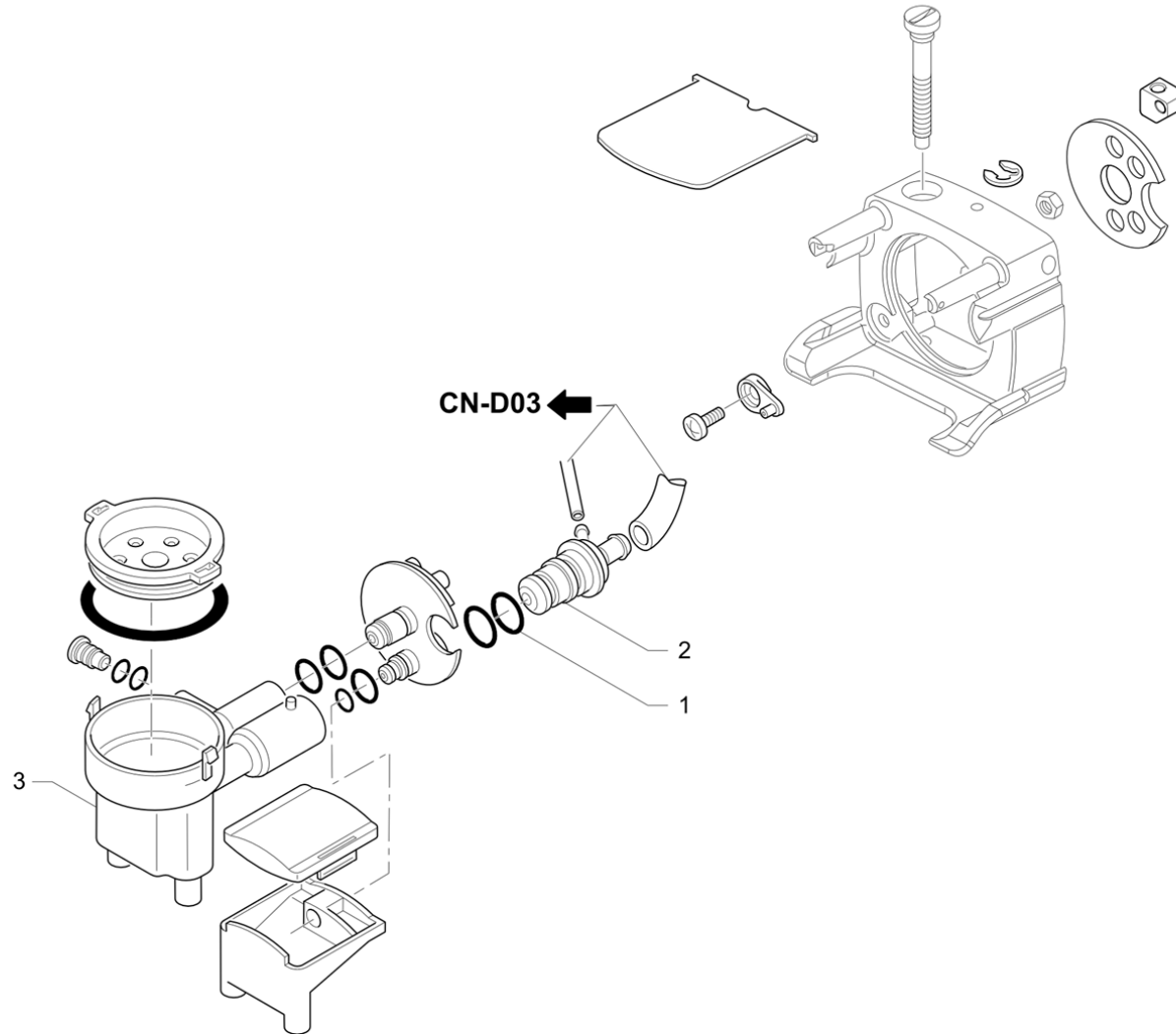
Pos	Part Number	Description	Validity	Notes
1	533198900	GEAR PUMP		
2	916441000	SPRING		
3	916995010	CAPPUCCINO MAKER ASSEMBLY WITH GEAR PUMP		



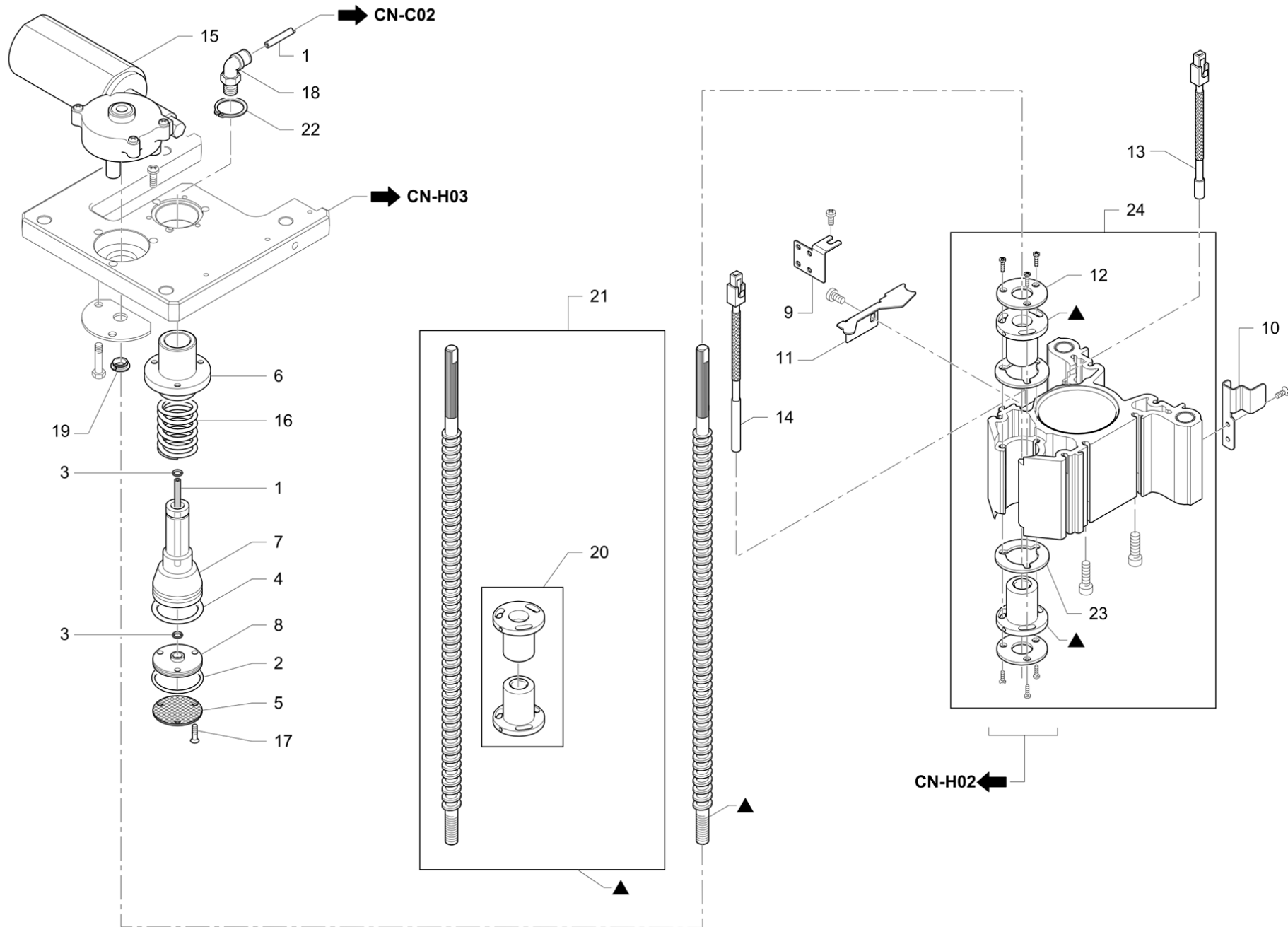
Pos	Part Number	Description	Validity	Notes
1	402197000	O-RING 8,9 X 2,7		
2	401369000	O-RING 34,65 X 1,78		
3	402249000	O-RING 5,28X1,78		
4	402250000	GASKET 3,68 X 1,78		
5	431318000	MILKFROTHER REGULATOR		
6	431320030	COFFEE SPOUT BODY		
7	431321020	COFFEE SPOUT COVER		
8	431322000	REGULATION CAM		
9	431412010	CAPPUCCINO DELIVERY COVER		
10	503404140	SCREW M4X14 INOX		
11	568206070	RING		
12	931174000	PROTECTION		
13	931184000	CP CAPPUCCINO DELIVERY SPOUT CAP		
14	931251000	ADJUSTING RING CAPP. MAKER		
15	931275000	CAPPUCCINO MAKER BODY PP		
16	931763000	STEAM-WATER PASSAGEWAY FITTING		

Per i particolari non codificati vedere la tabella
 Pour les pièces détachées pas codifiées se référer aux vues éclatées
 For the parts not listed, please refer to the table
 Bezüglich der nicht kodifizierten Ersatzteile bitte die Tabelle verwenden
 Por los repuestos no codificados rogamos de utilizar la tabla
 Pelos particulares no codificados outar as tabela

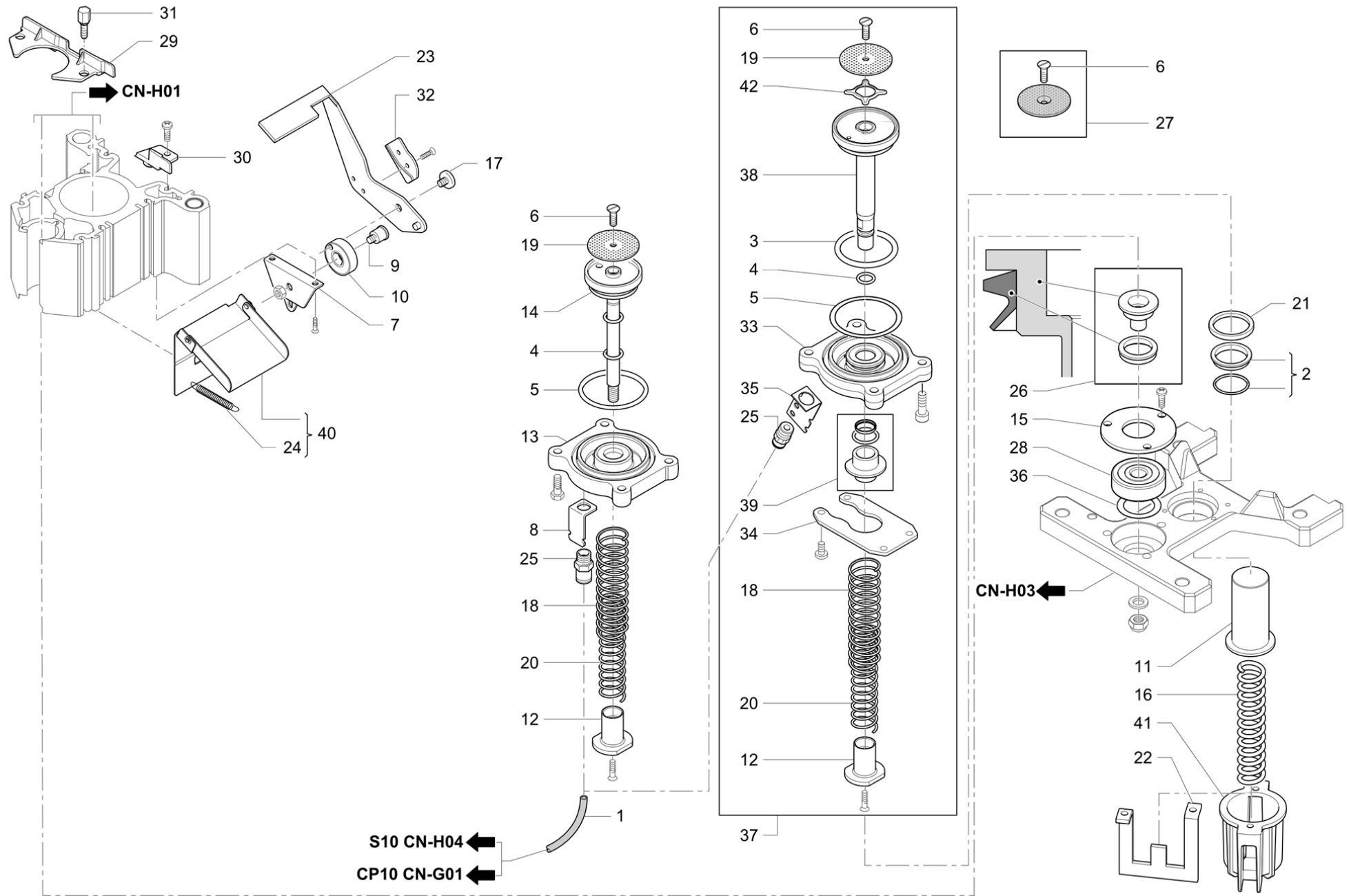
→ CN-G03



Pos	Part Number	Description	Validity	Notes
1	402266000	O-RING 8,9 X 2,7		
2	910376010	STEAM-WATER §3MM PASSAGEWAY FITTING		
3	931151020	CAPPUCCINO MAKER BODY PI		

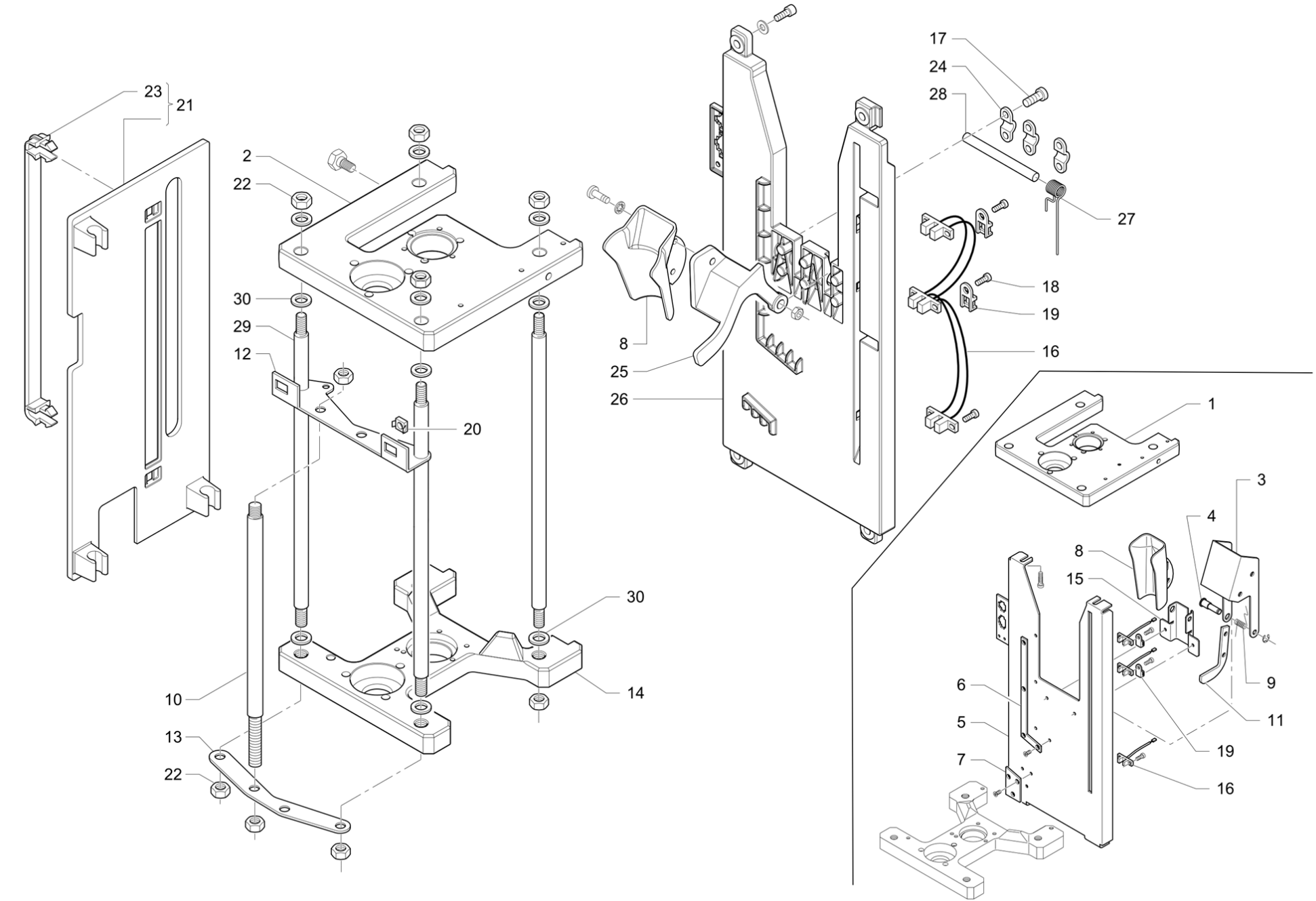


Pos	Part Number	Description	Validity	Notes
1	220000021	TEFLON TUBE D 2,5X4		
2	402240000	O-RING 41 X 1,78	G:D50	
2	402241000	O-RING 34,65 X 1,78	G:D44	
3	402247000	O RING 3,63X2,62		
4	402311000	OR 36.10X3.53 SILICON	G:D44	
4	402312000	OR 42.86X3.53 SILICON	G:D50	
5	427343000	FILTER 42MM.	G:D44	
5	431417000	FILTER ø50	G:D50	
6	431031040	BUSH UPPER PISTON		
7	431043025	M2 UPPER PISTON ø44	G:D44	
7	431397025	UPPER PISTON ø50	G:D50	
8	431087020	CAP UPPER PISTON ø44	G:D44	
8	431398020	CAP UPPER PISTON ø50	G:D50	
9	431151000	FIXING PLATE-KTY GR		
10	431162020	SUPPORT SURVEY CAMERA PLACEMENT		
11	431237000	SUPPORT PROTECTION RESISTANCE/ ELECTRODE		
12	431257010	GROUP WASHER		
13	431715010	TEMPERATURE SENSOR		
14	431716030	HEATING ELEMENT		
15	431914010	MOTOR 24V 420RPM		
16	461079000	SPRING GUIDE UPPER PISTON		
17	503603120	S.S. M3X12 T.SV. SCREW		
18	532650600	UNION FOR PIPE 4MM		
19	532726700	PLATES CLIP		
20	537050610	KIT COFFEE GROUP SNAILS		
21	537050710	KIT COFFEE GROUP SNAILS-SCREW		
22	568219000	RING BENZING DIA 18		
23	938065000	SEAT FOR NUT		
24	938890010	SPARE CHAMBER D.44 (REPL. 938890000)	G:D44	
24	938891010	CHAMBER D.50 SPARE PARTS	G:D50	

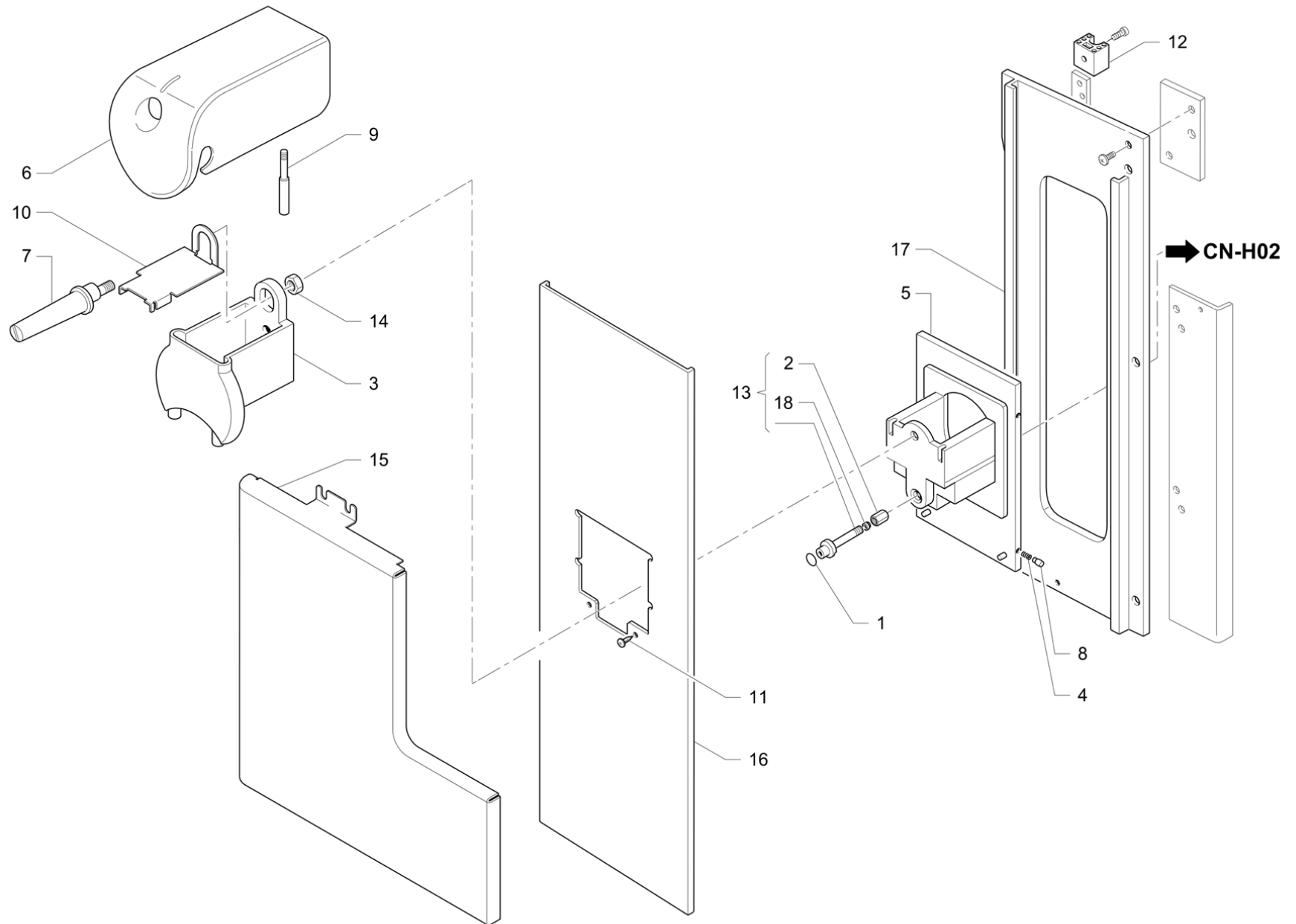


Pos	Part Number	Description	Validity	Notes
1	220000021	TEFLON TUBE D 2,5X4		
2	401397000	SCRAPER		
3	402186010	OR 34.52X3.53 PLATIN. GASKET	G:D44	
3	402187010	OR-GASKET 39,69X3,53	G:D50	
4	402217000	GASKET 8,73X1,78 NF		
5	402245000	GASKET 50,47X2,62	G:D44	
5	402246000	O RING 55,25X2,62	G:D50	
6	429600000	SCREW M4X8 SS		
7	431020030	FIXING SUPPORT COFFEE PAD K/O LEVER		
8	431011000	GUIDE		
9	431021020	CAM PIVOT		
10	431022010	CAM		
11	431023027	INSULATE TUBE		
12	431025015	TERMINAL BODY PART		
13	431028045	CHAMBER BASE §44	G:D44	
13	431399035	CHAMBER BASE - DIAM.50 MM M2	G:D50	
14	431029055	M2 LOWER PISTON §44	G:D44	
14	431396055	LOWER PISTON §50	G:D50	
15	431034000	PAD PLATE		
16	431036020	CONTRAST SPRING LOWER PISTON		
17	431054010	PIVOT ROD KNOCKOUT		
18	431055020	SPRING 2 RELEASE LOWER PISTON		
19	431067000	FILTER ø 44	G:D44	
19	431416000	FILTER ø 50	G:D50	
20	431153020	SPRING 1 RELEASE LOWER PISTON		
21	431260000	RING WITH SCRAPER		
22	431382000	SPRING SUPPORT		
23	431516030	GROUNDS KNOCKOUT LEVER		
24	461054050	SPRING		
25	532650800	UNION FOR DELIVERY 1/8		
26	537046300	KIT BUSH FOR MOVEMENT SCREW		
27	932768000	FILTER § 44 M2	G:D44	
27	933735000	FILTER § 50 M2	G:D50	
27	537051700	MICROFILTER 44 80 MICRON	G:D44,M:JP	
28	580105600	BEARING		
29	931197020	LEFT CHAMBER GROUP PROTECTION		
30	931198030	RIGHT CHAMBER GROUP PROTECTION		
31	931219000	SPACER		
32	931301000	GUIDE RELEASE COFFE PAD K/O LEVER		
33	936159025	CHAMBER BASE Diam. 44	G:D44	
33	936175025	CHAMBER BASE D.50	G:D50	
34	936161000	BRACKET FOR STEPSEAL ROD GUIDE		
35	936210000	PIPE FIXING		
36	936214000	SPACER FOR BEARING		
37	944704020	PISTON ASS. W/BASE DIAMETER 44	G:D44	

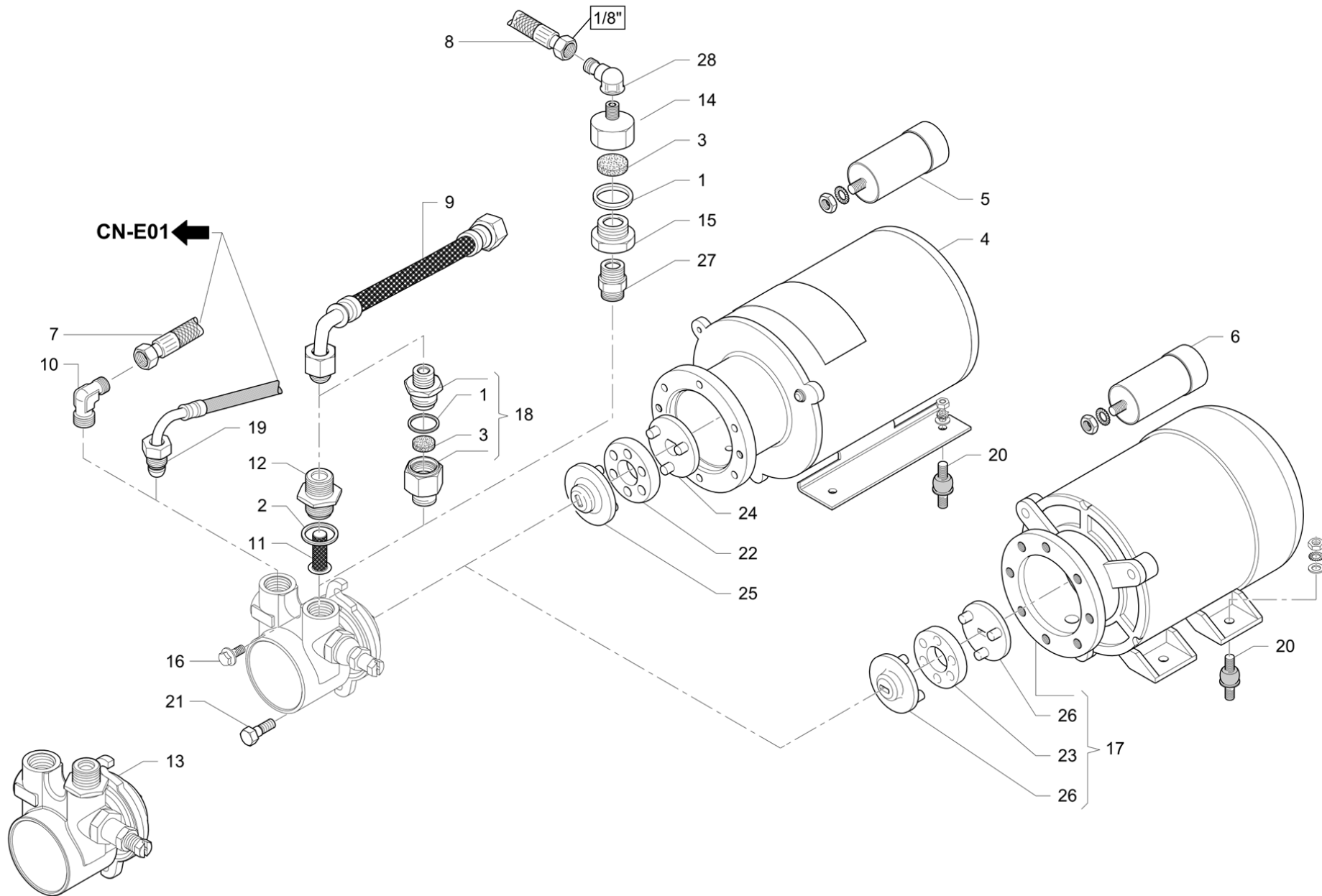
Pos	Part Number	Description	Validity	Notes
37	944705020	PISTON ASS. W/BASE DIAMETER 50	G:D50	
38	944706010	PISTON ASSY 44 STEPSEAL SP. PARTS	G:D44	
38	944707010	PISTON ASSY 50 STEPSEAL SP. PARTS	G:D50	
39	944708000	GASKET SCRABER KIT		
40	944715000	COFFEE PAD SHOOT		
41	966412010	LOWER GROUP PROTECTION		
42	944050000F	STAINLESS STEEL FILTER GUIDE		



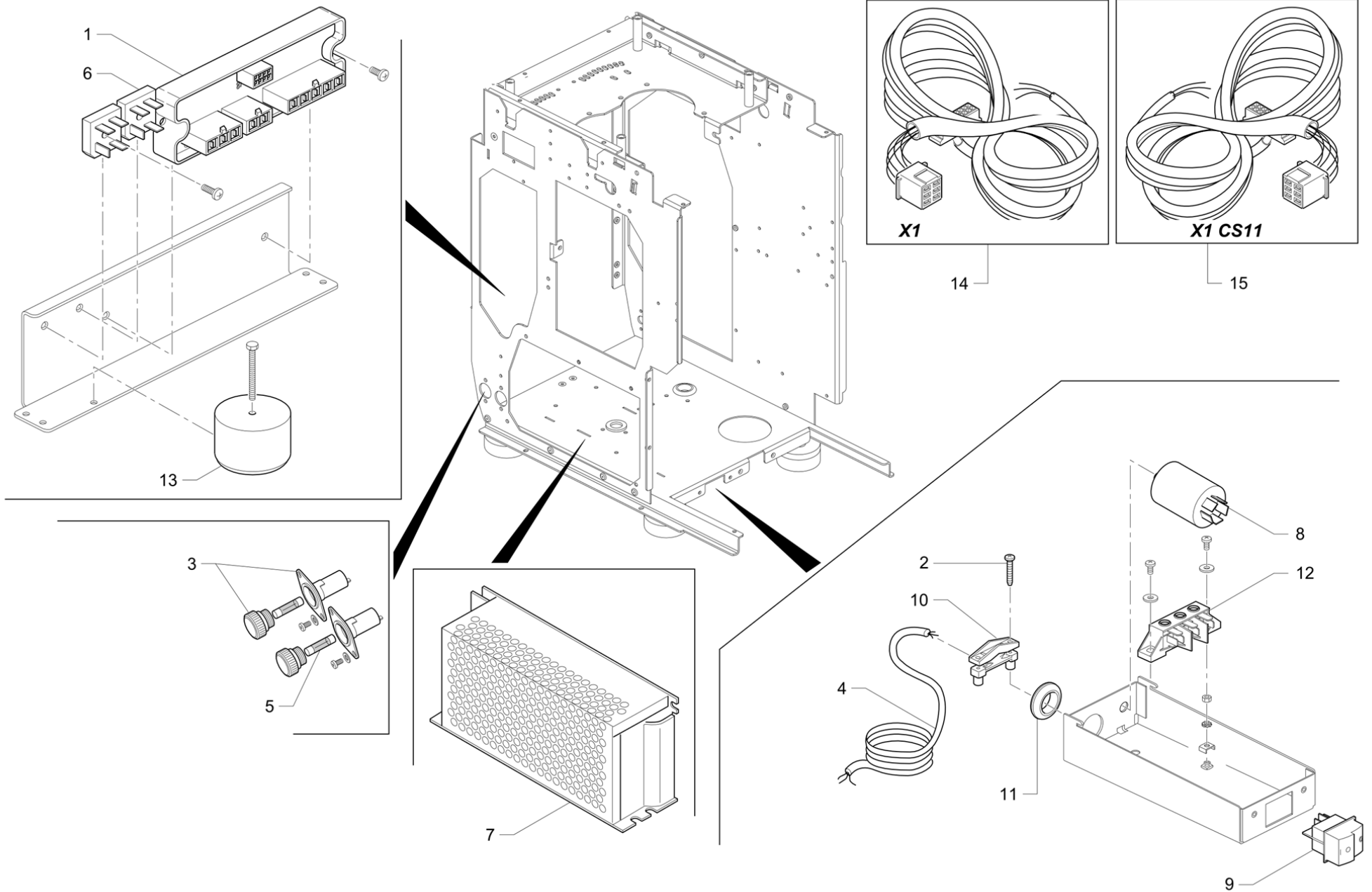
Pos	Part Number	Description	Validity	Notes
1	431030040	SUPPORT PLATE		
2	431030060	SUPPORT PLATE		
3	431038020	COLL. COFFEE GRIDED COLLECTOR SUPPORT		
4	431039020	COLLAPSIBLE COFFEE COLLECTOR PLUG		
5	431057050	COLLAPSIBLE GRIDED COLLECTOR PLATE		
6	431058000	UPPER GUIDE		
7	431059000	LOWER GUIDE		
8	431069020	COLLAPSIBLE COFFEE GRIDED COLLECTOR		
9	431161010	COLLAPSIBLE GRIDED COLLECTOR SPRING		
10	431173010	SHAFT GUIDE SPOUTS		
11	431262020	COLL. COFFEE GRIDED COLLECTOR LEVER		
12	431288040	UPPER ANCHOR SUPPORT GUIDE		
13	431289030	LOWER ANCHOR SUPPORT GUIDE		
14	431380040	LOWER COFFEE GROUP PLATE		
15	431446010	SPRING SUPPORT		
16	431731000	PHOTOELECTRIC CELL WITH WIRING		
17	523104080	SCREW 4X8		
18	523135120	SCREW AUTO.T.C.CR. 3,5X12		
19	532141400	CABLE SUPPORT		
20	532716800	NUT M4		
21	537043910	COFFEE SLUICE VALVE		
22	542908080	NUT M8		
23	932011000	HANDLE		
24	932012000	COLLAPSIBLE COFFEE PLUG SUPPORT		
25	932013000	COLL. COFFEE GRIDED COLLECTOR SUPPORT		
26	932014040	TILTER PLATE		
27	932027010	COLLAPSIBLE GRIDED COLLECTOR SPRING		
28	932028000	TILT. MECH. PLUG		
29	936142000	MAIN SHAFT CROMPLATED		
30	938064000	GROUP ROD WASHER		



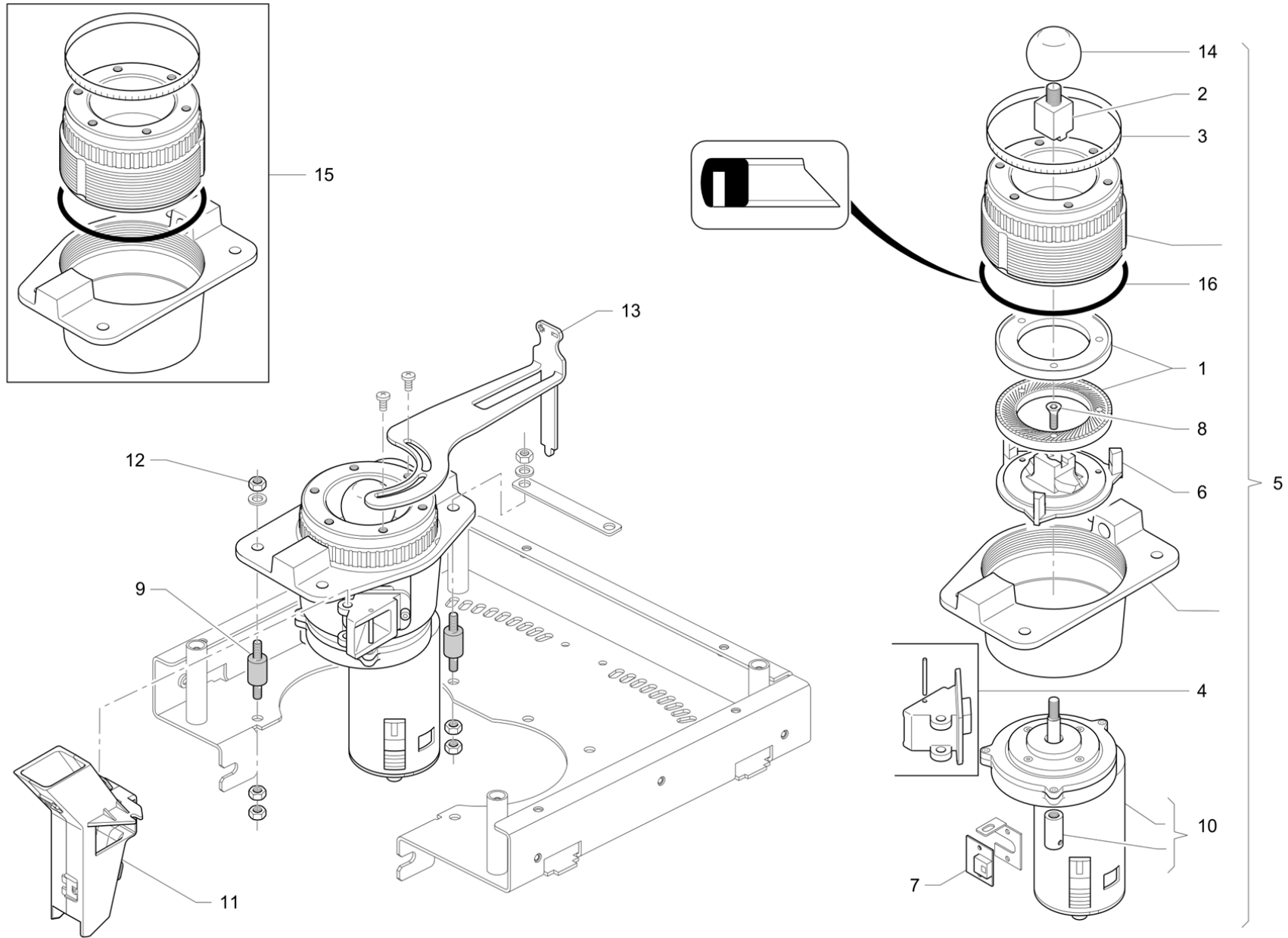
Pos	Part Number	Description	Validity	Notes
1	402235000	O-RING GASKET 7,80X1,90		
1	402252000	O-RING GASKET 7,80X1,90 NF	N:NSF	
2	482311000	TUBE CAP		
3	484083010	TWO WAY SPOUT		
4	484059010	SPRING		
5	484079010	DISPENSER HEAD SUPPORT		
6	484081010	COFFEE CARTER		
7	484084000	DOSAGE DIVISION CONTROL		
8	484086000	PIN		
9	484207000	SCREW		
10	484377010	PROTECTION		
11	523029950	SCREW AUTO.T.C.CR.2, 9X9, 5 STAINLESS		
12	532728900	COLLAR		
13	537038400	COMPLETE DELIVERING UNION		
14	541806050	NUT M6 S.S.		
15	916084020	X1 S10 LEFT FRONT PANEL		
16	916134000	DELIVERY SPOUT PLATE		
17	916135010	DISPENSER SUPPORT GUIDE		
18	532728000R	OGIVE		



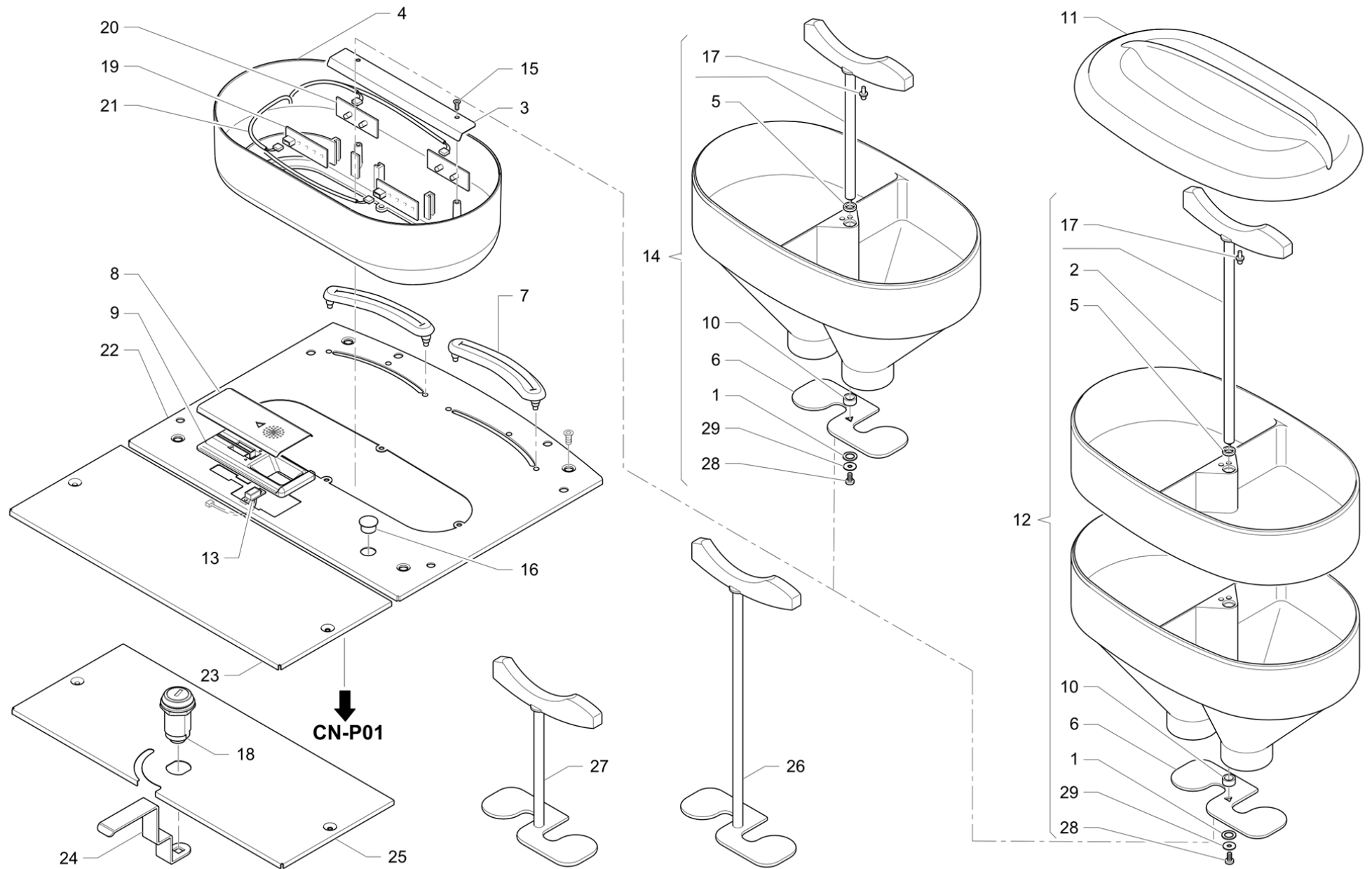
Pos	Part Number	Description	Validity	Notes
1	400335010	GASKET 21X24,5X1,5		
2	401183010	GASKET 22X17X1,5		
3	490055000	FILTER		
4	530298120	PUMP 220/50 HORIZ. MOTOR		
4	530299600	PUMP 220/50 HORIZ. MOTOR UL	N:UL	
5	531492400	CAPACITOR 10MF		
5	531492900	CAPACITOR 10mF	N:UL	
6	531492800	CAPACITOR 5 MF	N:UL	
7	532300500	PIPE		
8	532300700	PIPE		
8	532304900	1/8X1/8 FLEXIBLE PIPE MM 2500 NF	N:NSF	
9	532304300	PIPE 3/8 NF	N:NSF	
9	3951130515	PIPE 3/8X 3/8 120øMM 2200		
10	532510808	KNEE SO 2400 3/8 GAS 1/8		
11	533100400	INSIDE FILTER		
12	533100600	JOINT 3/8X3/8		
13	533180010	180 L/h VOLUMETRIC PUMP INOX W/FILTER		
14	591470000	STRAIGHT UNION		
14	591470006	STRAIGHT UNION 1/2 X 1/8 NF	N:NSF	
15	591471008	FILTER JOINT 3/8X 1/2 GAS		
16	593793001	SCREW M6 X 16 WITH PROFILE		
17	903061000	MOTOR PUMP	N:UL	
18	925783010	PUMP FILTER		
19	936358000F	COMPLETE TUBE PUMP DELIVERY		
19	936374000F	NSF COMPLETE PUMP DELIVERY TUBE	N:NSF	
20	3251133418	RUBBER ANTIVIBRATION		
21	4004136622	SCREW M6		
22	4081021923	RING		
23	4081135955	RING		
24	4821023082	MOTOR JOINT		
25	4821108987	PUMP JOINT		
26	4821135956	CONNECTION		
27	532500600R	UNION		
28	532501600R	FITTING 1/8 F		



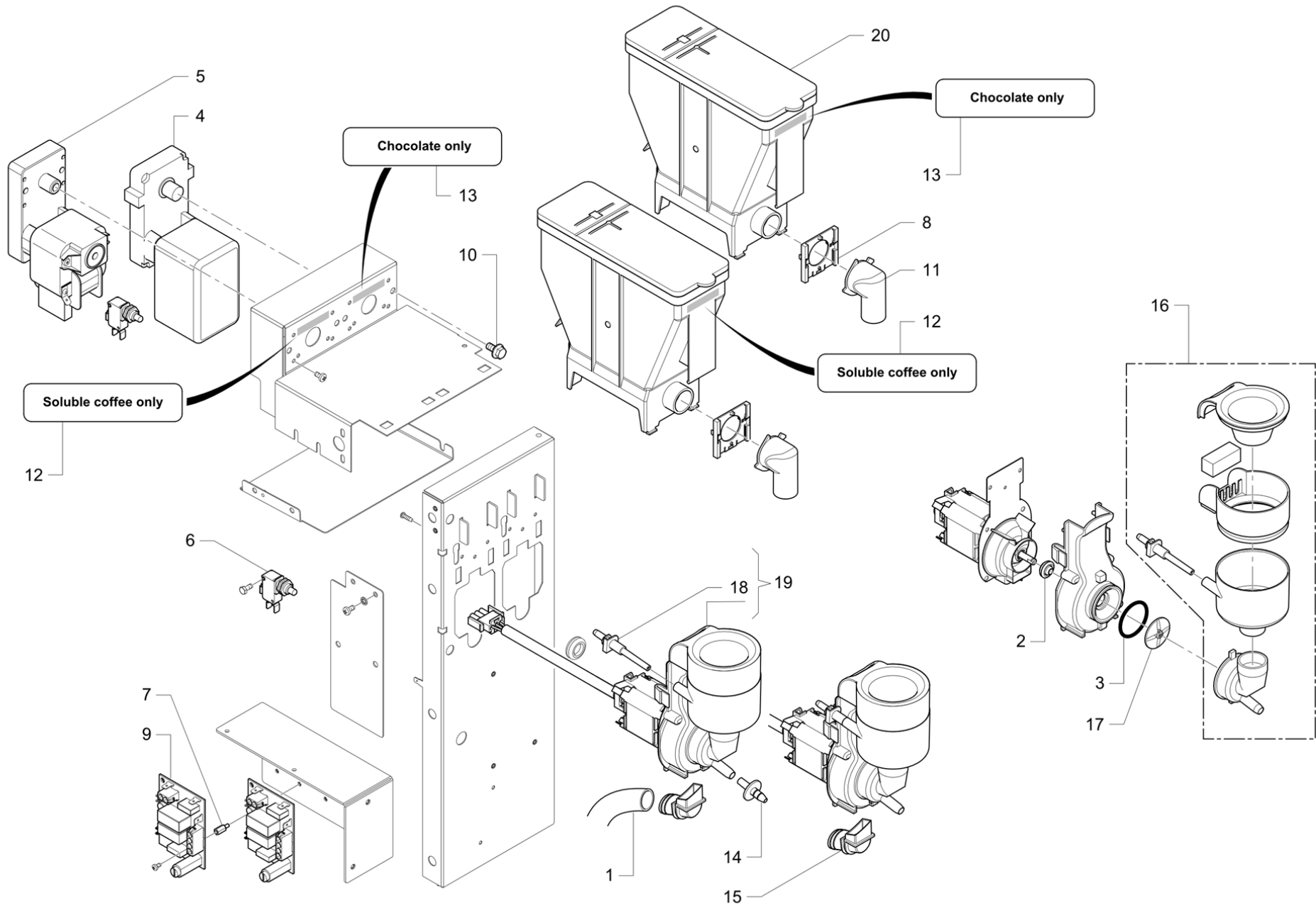
Pos	Part Number	Description	Validity	Notes
1	431748008	RESIN-BONDED TRIAC BOARD		
2	521042250	SCREW		
3	530111000	FUSE HOLDER	N:UL	
4	530112100	SUPPLY WIRE		
4	530112900	WIRE	N:UL	
4	916406010	MAIN CABLE 3X1,5 L1830	M:JP	
5	530112200	FUSE CC15 A	N:UL	
6	530901300	DIOD BRIDGE FOR COMPRESSOR		
7	530990600	TRANSFORMER SWITCHING S-150-25.5		
8	531404200	PHASE FILTER 115/250V 50/60 Hz		
9	532022008	BIPOLAR LIGHTING SWITCH		
10	532123300	CORD FIXING LOCK		
11	532126000	CABLE GLAND		
12	532128200	TERMINAL BOARD		
13	535618000	INDUCTANCE L=2X27MH 2,8A		
14	535644028	SERIE1 WIRING NF	N:UL	
14	535675018	GENERAL WIRING SERIES 1		
15	535686008	M1 PROGRAM CS 11 WIRING LOOM		



Pos	Part Number	Description	Validity	Notes
1	429959000	GRIND STONES RIGHT DIAM.64 MM.		
2	431050020	SQUARE NUT FOR MILESTONES		
3	431137010	GRINDING REGULATION LABEL		
4	431497000	GRINDER DUCT COFFEE		
5	431763050	COMPLETE GRINDER M2 RIGHT		
5	431764050	COMPLETE GRINDER M2 LEFT		
6	432360028	GRINDSTONE HOLDER RUVECO		
7	484336018	ENCODER BOARD		
8	503604100	S.S. M4X10 T.SV. SCREW		
9	532802900	VIBRATION DUMPING		
10	537041010	MOTOR 230V DC		
11	537047800	COMMON DUCT COFFEE		
12	541806050	NUT M6 S.S.		
13	916073010	GRINDING REGULATION LEVER		
14	916294020	M2 GRINDER BALL		
15	931738020	MACHINE BODY RIGHT WITH SUPP.GRINDSTONE		
15	931739020	GRINDER DOSER BOSY LEFT W.BLADE HOLDER		
16	936105000	LIP SEAL		



Pos	Part Number	Description	Validity	Notes
1	429141000	WASHER FOR SUPPORT		
2	431160000	M2 HOPPER EXTENSION		
3	431188010	INFRARED RAY PROTECTION		
4	431189000	BLACK HOPPER BASE		
5	431220020	BUSH SHUTTER		
6	431222030	SHUTTER		
7	431310000	GASKET		
8	431324000	LID		
9	431325000	DEK DOOR BASE		
10	431381010	LOWER BUSH SHUTTER		
11	431540000	HOPPER LID		
11	916404000	GLASSY HOPPER LID	M:JP	
12	431600000	M2 HIGH HOPPER		
13	431731000	PHOTOELECTRIC CELL WITH WIRING		
14	431918000	M2 HOPPER		
15	523135080	SCREW		
16	532719800	PLUG PVC 12,7		
17	534193110	SPHERIC GEAR		
18	534194200	LOCK		
19	535510008	HOPPER RECEIVING BOARD		
20	535511008	HOPPER BOARD		
21	535645008	WIRING HOPPER BOARD		
22	916089020	UPPER BACK TAIN		
23	916096000	X1 FRONT COVER		
23	916242000	X1 NF FRONT COVER	N:NSF	
24	916291010	CLOSURE SELECTION PANEL		
25	916292000	FRONT COVER WITH LOCK		
26	932783000	HANDLE		
27	932784000	HANDLE SHUTTER WITH ROD		
28	936182000	SCREW M4X8		
29	4051043373	WASHER S/S		



Pos	Part Number	Description	Validity	Notes
1	220000024	SILICONE PIPE D 15X21		
2	402236000	GASKET		
3	402237000	O-RING		
4	530891500	CHOCOLATE GEAR REDUCTOR DOSER		
5	530891610	GEAR REDUCTOR 85RPM 230/50		
6	532006600	MICRO SWITCH		
7	532721500	SPACER M3XH.10		
8	534304900	QUICK COUPLING FITTING MIXER		
9	535530008	CK RELAY BOARD		
10	593820001	HEXAGONAL-HEAD SCREW		
11	916290010	SHORT FITTING INLET MIXER		
12	916353000	LABEL "SOLUBLE COFFE ONLY"		
13	916354000	LABEL "CHOCOLATE ONLY"		
14	931157000	CHOCOLATE NOZZLE		
15	931260000	DRAIN STEAMS CONNECTION		
16	931842010	MIXING CHAMBER ASSEMBLY		
17	934231000	MIXER IMPELLER		
18	938032000	LONG MIXER NOZZLE (537049600)		
19	938892000	MIXER W/FAN ASSEMBLY		
20	938900000	SOLUBLES HOPPER ASSEMBLY		

Pos	Part Number	Description	Validity	Notes
-	220000017	SILICONE PIPE D 10X15		
-	220000052	TYGON TUBE		
-	402200000	ORING GASKET 17,11X1,78		
-	402251000	GASKET 5X7		
-	410041000	SCREW		
-	430218000	DRAIN PIPE		
-	431033010	BUSH FOR MOVEMENT SCREW		
-	431278020	SERIE 1/2 COFFEE PAD CONTAINER		
-	431374000	EXPANSION CHAMBER		
-	431380010	LOWER SUPPORT PLATE		
-	433083010	MILK FROTHER CLEANING ROD		
-	433145000	PIPE BRUSH D.35		
-	445968000	CLOCK MODULE MOD.M48T86		
-	462987002	PUMP MOTOR 220-240V/50-60HZ		
-	482311000	TUBE CAP		
	⇌ 482311006	TUBE CAP NF		
-	484381000	UNION		
-	485148010	RING NUT		
-	485723020	STEAM TAP		
-	500304100	M 4X10 T.SV.T.CR. SCREW		
-	500803166	CROSS-SLOTTED SCREW		
-	501804150	STAINLESS STEEL M4X15 T.C.T.CR. SCREW		
-	502703086	CROSS-SLOTTED SCREW		
-	502703126	SCREW T.C. T.CR. M3 X 12		
-	502704066	4X6 TCTC S.S. SCREW		
-	502704086	M4X8 T.C.T.CR. SCREW		
-	502704106	4X10 TCTC S.S. SCREW		
-	502704206	M4X20 T.C.T.CR. SCREW		
-	503404060	M4X6 T.C.C.E. SCREW		
-	503404160	S.S. TCTC 4X16 SCREW		
-	503603040	S.S. M3X4 T.SV. SCREW		
-	503604060	SCREW M4 X 6 SS		
-	503604140	S.S. T.SV. M4X14 SCREW		
-	503904060	S.S. M4X6 T.E. SCREW		
-	503904100	S.S. TE 4X10 SCREW		
-	511905180	M5X18 T.C.E. S.S. SCREW		
-	523003060	SCREW 3X6		
-	530114300	WIRING		
-	938892000	MIXER W/FAN ASSEMBLY		
	⇌ 530390230	MIXER CHOCOLAT WITH MOTOR		
-	531191800	SAFETY THERMOSTAT U.L.		
-	531193100	SAFETY THERMOSTAT		
-	531491400	RFI CAPACITOR		
-	532020700	DISPLAY NEUTRAL BUTTON		
-	532391500	1/8X1/8 FLEXIBLE PIPE MM 370 NF		

Pos	Part Number	Description	Validity	Notes
-	532402000	PLASTIC CONTAINER LT2		
-	532601400	JOINT		
-	532601500	JOINT		
-	532601600	NUT		
-	532653500	FAST UNION		
-	532654900	KNEE FOR FEP PIPE D6		
-	532706700	NUT		
-	532711400	CHECK NUT		
-	532741900	COVER PROTECTION		
-	532742200	DOUBLE CABLE TIE-RAPS		
-	532743100	BAND DIAM 35		
-	532745300	HOSE CLAMP 9-11		
-	537055900	ASS.POMPA INGRANAGGI C/RACCORDI PLASTICA		
	⇒ 533199200	GEAR PUMP		
-	533897200	DIVERTER VALVE 24V DC		
-	938900000	SOLUBLES HOPPER ASSEMBLY		
	⇒ 534392200	CHOCOLATE HOPPER		
-	535303000	PERISTALTIC MILK PUMP ROTOR		
-	535525008	INTERFACE BOARD		
-	535656008	SERIE1 PERISTALTIC PUMP WIRING		
-	535657008	SERIES1 FLAT CPU BOARD-CHIP CARD SENSOR		
-	535675018	GENERAL WIRING SERIES 1		
	⇒ 535675008	SERIE1 WIRING		
-	535831000	MAGNETIC SENSOR		
-	536100110	PISTON COMPRESSOR		
-	537021600	LOCK WITH KEY		
-	537036810	BY-PASS WITH VALVE		
-	537038406	COMPLETE DELIVERING UNION NF		
-	537041300	GRINDSTONE DIA.63,5 MM		
-	537042610	MAINTENANCE KIT SERIES 1/2 S VERS.		
	⇒ 537042600	MAINTENANCE TYPE A SERIES1-2 DC VERS.S		
-	537042610	MAINTENANCE KIT SERIES 1/2 S VERS.		
-	537042700	MAINTENANCE TYPE A SERIES1-2 DC VERS.CP		
-	537042710	MAINTENANCE KIT SERIES 1/2 CP VERS.		
-	537042800	MAINTENANCE TYPE B SERIES1 DC		
-	537043000	MAINTENANCE TYPE C SERIES1-2 DC Ø44		
-	537043100	MAINTENANCE TYPE C SERIES1-2 DC Ø50		
-	537043200	MAINTENANCE TYPE D SERIES1-2 DC VERS.S		
-	537043300	MAINTENANCE TYPE D SERIES1-2 DC VERS.CP		
-	537043800	NORPRENE TUBE 4,8X8X3000		
-	537047400	SAFETY VALVE KIT CFA		
-	537048600	PIPE NORPRENE 4,8X8X1000		
-	537049600	MIXER NOZZLE		
-	537055400	PISTON 44 STEPSEAL W/CHAMBER BASE		

Pos	Part Number	Description	Validity	Notes
-	537055500	PISTON 50 STEPSEAL W/CHAMBER BASE		
-	542203240	STAINLESS STEEL M3 NUT		
-	542904040	NUT M4 S.S.		
-	542910040	NUT M10		
-	560400431	PLAIN WASHER		
-	560484170	WASHER 8,4		
-	562204000	WASHER D. 4		
-	562306000	SPRING WASHER		
-	562306001	WASHER 6		
-	562314001	WASHER 14		
-	568305060	RING		
-	591471008	FILTER JOINT 3/8X 1/2 GAS		
	⇒ 591471006	STRAIGHT UNION 3/8 X 1/2 NF		
-	592794001	HEXAGONAL-HEAD SCREW		
-	913124010	SAFETY VALVE PROTECTION		
-	916017011	TAP BRACKET		
-	916019011	GALANIZED BOTTOM PROTECTION WALL		
-	916038010	M1 CUP-HOLDER GRILLE		
	⇒ 916038000	SUPPORT CUP GRATE		
-	916050020	PROTECTION		
-	916054001	COMPRESSOR SUPPORT		
-	916065001	AUTOMATIC STEAM SUPPORT		
-	916074000	DASHBOARD X1 MANUAL STEAM		
-	916075000	DASHBOARD X1 AUTOMATIC STEAM		
-	916088001	SUPPORT SERIE1 SIDE PANEL		
-	916089010	X1 BACK COVER		
-	916170007	RIGHT SIDE PANEL X1 WITH/CARD		
-	916171007	RIGHT PANEL X1 WITH CARD MANUAL STEAM		
-	916206000	SPACER		
-	916208000	BOLT		
-	916213000	COIN MECHANISME		
-	916537010	EXPANSION TANK ASS.		
	⇒ 916249000	EXPANSION CONTAINER		
-	916252000	SERIE1 DRAIN UNION		
-	916263010	X1-X2 M2PRO DRINK NAMES STICKER SELECT.		
-	916279010	ENGINE PROTECTION		
-	916283020	MILKFROTHER RUT		
	⇒ 916283010	CAPPUCCINO DELIVERY SPOUT SUPPORT		
-	916316024	PUMP SUPPORT		
-	916359010	V-RING CR 400184 VITON		
-	916365000	GROUND DRAIN TUBE M1		
-	916393010	EXIT MILK PIPE TAIN		
-	916408000	SERIE1 PROGRAM UK DRAWER CONTAINER PANEL		
-	916412000	SERIE 1 UK COFFEE PAD CONTAINER		

Pos	Part Number	Description	Validity	Notes
-	916415000	WATER SELECTION LABEL		
-	916417010	M1 BP LEFT FRONT TAIN		
-	916418000	RUBBER-HOLDER BUSHING		
-	916425000	QUICK COUPLING FOR BUSHING		
-	916426000	FAST MALE PART JOINT		
-	916429000	CONTAINER COVER		
-	916438000	WATER DELIVERY BODY L=47MM		
-	916440000	PLASTIC CONTAINER		
-	916501030	M1 BOX COFFEE PAD CONTAINER		
	⇒ 916501020	SERIE1 BOX COFFEE PAD CONTAINER		
-	916501030	M1 BOX COFFEE PAD CONTAINER		
-	916523028	SERIE1 BOILER		
	⇒ 916523026	SERIE1 BOILER NF		
-	916535010	PROGRAM DIRECT WASTE PANEL		
-	916558000	COVER WITH DIVIDER		
-	916560000	PUMP SUPPORT		
-	916561000	SERIE1 PROGRAM UK COFFEE PAD CONTAINER		
-	916563000	MOTOR SUPPORT		
-	916764008	WIRING FOR AUTOMATIC STEAM SERIE1		
-	916783038	COMMAND PANEL ASS. X1 W/STEAM		
-	916789038	X1 S10 TOUCH PAD FRONT PANEL		
-	916995010	CAPPUCCINO MAKER ASSEMBLY WITH GEAR PUMP		
	⇒ 916995000	COMPLETE FROTHER ASS FOR GEAR PUMP		
-	931066050	SEL.PROGRAM PLATES		
	⇒ 931066040	X1-X2-PROGRAM DRINK NAMES STICKER SELECT		
-	931066050	SEL.PROGRAM PLATES		
-	931141000	M2PRCK STICKER		
-	931244007	LEFT "PRESS" BUTTON SELECTION		
-	931245007	RIGHT "PRESS" BUTTON SELECTION		
-	931538014	SWITCH BOX		
-	938898000	12 V COMPRESSOR KIT		
	⇒ 931548028	12V DC "TURBOSTEAM" COMPRESSOR		
-	931842010	MIXING CHAMBER ASSEMBLY		
	⇒ 931842000	CHOCOLATE MIXER		
-	932024010	AUTOMATIC WASHING SENSOR M1 COVER		
-	933929000	M1 REST SELF DIP TRAY		
-	934316000	§6 FAST UNION FOR PIPE 3X6		
-	936049008	AUTOMATIC WASHING SENSOR M1		
-	936073010	SPACER M4		
-	936211000	LOWER PISTON GASKET D.44		
-	936212000	LOWER PISTON GASKET D.50		
-	938006000	FOOT SPACER		
-	938761000	WASHING BIN		

Pos	Part Number	Description	Validity	Notes
-	938852000	24 "TURBOSTEAM" COMPRESSOR		
-	938855000	WASHER TRAY WITH LOADSTONE		
-	938896000	CPU CARD M1 CHINA SPARE PARTS		
-	976709020	ASS.GR.UNIFICATO M1/M2 D44 S/MF- RIC		
	⇌ 976709010	UNIFIED GR. ASSY M1/M2 D44 WITHOUT/MF		
-	976710020	ASS.GR.UNIFICATO M1/M2 D50 S/MF - RIC		
	⇌ 976710010	UNIFIED GR. ASSY M1/M2 D50 WITHOUT/MF		
-	976711000	TYGON KIT M1 X1		
-	985717000	WATER WAND		
-	998251000	SPRING TWO-WIRE CLAMP 8.3		
-	4701029003	GASKET		
-	533180610F	STEEL CONNECTION GEAR PUMP ASSY		
-	938061010F	RUBBER HOLDER FOR QUICK COUPLING		
-	938062010F	RUBBER HOLDER FOR MILK PUMP		
-	938071010F	BULKHEAD FOR TYGON TUBE		
-	944054000F	TUBE HOLDER CONNECTOR FOR STAINLESS STEE		
-	932013010	TILTER SUPPORT		
-	932027020	TILTER SPRING		
-	998251010	CLAMP		
-	537043920	COFFEE SLUICE-VALVE		
-	966574000	CHAMBER D.44 WITH SLEEVE		
-	966575000	CHAMBER D.50 WITH SLEEVE		
-	946213000	UPPER GROUP PLATE		
-	946212000	LOWER GROUP PLATE		
-	936369000	UPPER FIXING		
-	936368000	LOWER FIXING		
-	976727000	CHAMBER CLOSURE PLATE		
-	976709020	ASS.GR.UNIFICATO M1/M2 D44 S/MF- RIC		
-	976710020	ASS.GR.UNIFICATO M1/M2 D50 S/MF - RIC		
-	946204000	REAR PLATE SUPPORT		
-	946207000	ANGLE BRACKET FOR GROUP		
-	946206000	CHECK VALVE FOR CHAMBER CLOSURE PLATE		
-	946232000	CHAMBER POSITION BRACKET		
-	533896910F	EV. 3V NC D3 VITON 1/4G Art. 131KSG015CF		
-	537055900	ASS.POMPA INGRANAGGI C/RACCORDI PLASTICA		
-	932028010	SPINA RIBALTINO		
-	401214008F	GUARNIZ RAME Ø17,9XØ14,2X1,5 RUVECO		
-	909007010	TARGA 'FAEMA'		
-	531197600	TERMOSTATO SIC. 'TECASA' SP011 CM/2		
-	427039108	BLOCCHETTO ELETTROVALVOLA RUVECO TECK C		
-	485910020F	TAP ROD ASSEMBLY AUTO		

Pos	Part Number	Description	Validity	Notes
-	400301000	GASKET		
-	401397000	SCRAPER		
-	402187010	OR-GASKET 39,69X3,53		
-	402197000	O-RING 8,9 X 2,7		
-	402240000	O-RING 41 X 1,78		
-	402241000	O-RING 34,65 X 1,78		
-	402245000	GASKET 50,47X2,62		
-	402246000	O RING 55,25X2,62		
-	402247000	O RING 3,63X2,62		
-	402249000	O-RING 5,28X1,78		
-	402250000	GASKET 3,68 X 1,78		
-	402266000	O-RING 8,9 X 2,7		
-	402311000	OR 36.10X3.53 SILICON		
-	402312000	OR 42.86X3.53 SILICON		
-	427343000	FILTER 42MM.		
-	428553030	HEATING ELEMENT 2700 W 220V		
-	428553038	220V/2700W NF HEATING ELEMENT		
-	431029055	M2 LOWER PISTON §44		
-	431036020	CONTRAST SPRING LOWER PISTON		
-	431043025	M2 UPPER PISTON ø44		
-	431055020	SPRING 2 RELEASE LOWER PISTON		
-	431067000	FILTER ø 44		
-	431069020	COLLAPSIBLE COFFEE GRINDED COLLECTOR		
-	431153020	SPRING 1 RELEASE LOWER PISTON		
-	431260000	RING WITH SCRAPER		
-	431320030	COFFEE SPOUT BODY		
-	431321020	COFFEE SPOUT COVER		
-	431396055	LOWER PISTON §50		
-	431397025	UPPER PISTON ø50		
-	431412010	CAPPUCCINO DELIVERY COVER		
-	431416000	FILTER ø 50		
-	431417000	FILTER ø50		
-	431715010	TEMPERATURE SENSOR		
-	431716030	HEATING ELEMENT		
-	431731000	PHOTOELECTRIC CELL WITH WIRING		
-	431748008	RESIN-BONDED TRIAC BOARD		
-	431914010	MOTOR 24V 420RPM		
-	457207002	HEAT EXCHANGER		
-	457207005	HEAT EXCHANGER NSF-USA-JPNmm21		
-	461079000	SPRING GUIDE UPPER PISTON		
-	484081010	COFFEE CARTER		
-	484083010	TWO WAY SPOUT		
-	484336018	ENCODER BOARD		
-	485578020	STEAM WAND WITH THERMOCOUPLE SERIES 3		
-	530112200	FUSE CC15 A		

Pos	Part Number	Description	Validity	Notes
-	530990600	TRANSFORMER SWITCHING S-150-25.5		
-	531492400	CAPACITOR 10MF		
-	531492800	CAPACITOR 5 MF		
-	532022008	BIPOLAR LIGHTING SWITCH		
-	533180010	180 L/h VOLUMETRIC PUMP INOX W/FILTER		
-	533198410	PERISTALTIC MILK TUBE		
-	533198600	PERISTALTIC MILK PUMP		
-	533198900	GEAR PUMP		
-	534393100	FLOWMETER WITH ADAPTOR		
-	534600300	SILENCER		
-	535303000	PERISTALTIC MILK PUMP ROTOR		
-	537041010	MOTOR 230V DC		
-	537041300	GRINDSTONE DIA.63,5 MM		
-	537046900	PRESSURE SENSOR KIT		
-	903061000	MOTOR PUMP		
-	910289000	NORPRENE TUBE 4,8X8X370		
-	916543010	PIPE SUPPLYING EXCHANGER		
-	916952000	SERIE1 PROGRAM SELECTIONS BOARD		
-	916953000	X1 PUSH BUTTON BOARD		
-	931151020	CAPPUCCINO MAKER BODY PI		
-	931251000	ADJUSTING RING CAPP. MAKER		
-	931275000	CAPPUCCINO MAKER BODY PP		
-	931763000	STEAM-WATER PASSAGEWAY FITTING		
-	931772008	GRAPHIC DISPLAY-WHITE		
-	932879008	24V DC EXPANSION BOARD		
-	936815000	24V DC CPU BOARD		
-	938896000	CPU CARD M1 CHINA SPARE PARTS		
-	938898000	12 V COMPRESSOR KIT		
-	3781133399	PUMP GAUGE		
-	4081021923	RING		
-	4081135955	RING		
-	4821023082	MOTOR JOINT		
-	4821108987	PUMP JOINT		
-	4821135956	CONNECTION		
-	533896500R	SOLENOID VALVE 24V DC		
-	533896600R	SOLENOID VALVE 24V DC		
-	533896700R	SOLENOID VALVE 3G §2,5 24V DC		
-	533896800R	SOLENOID VALVE 3G 24V DC		

