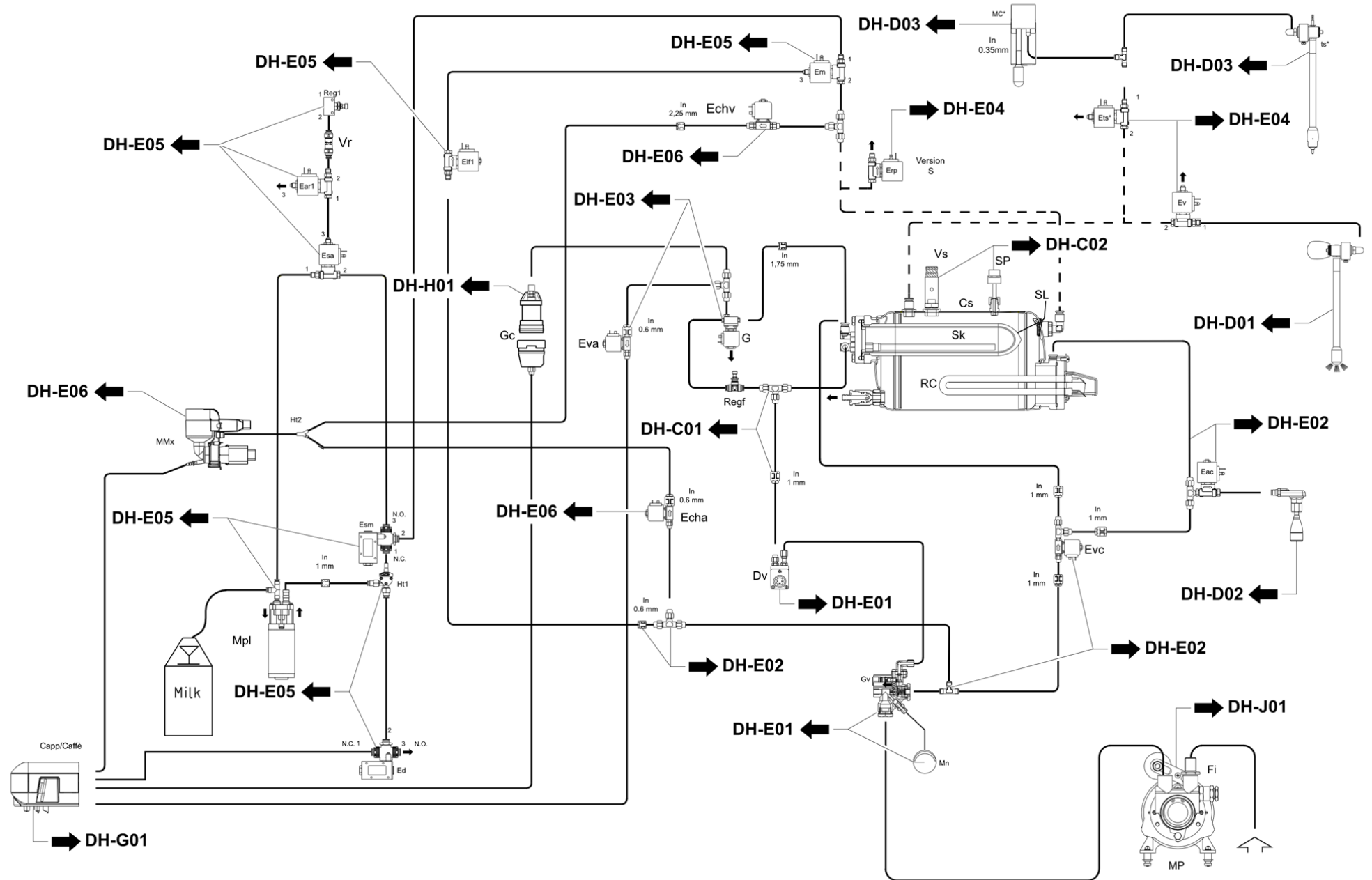
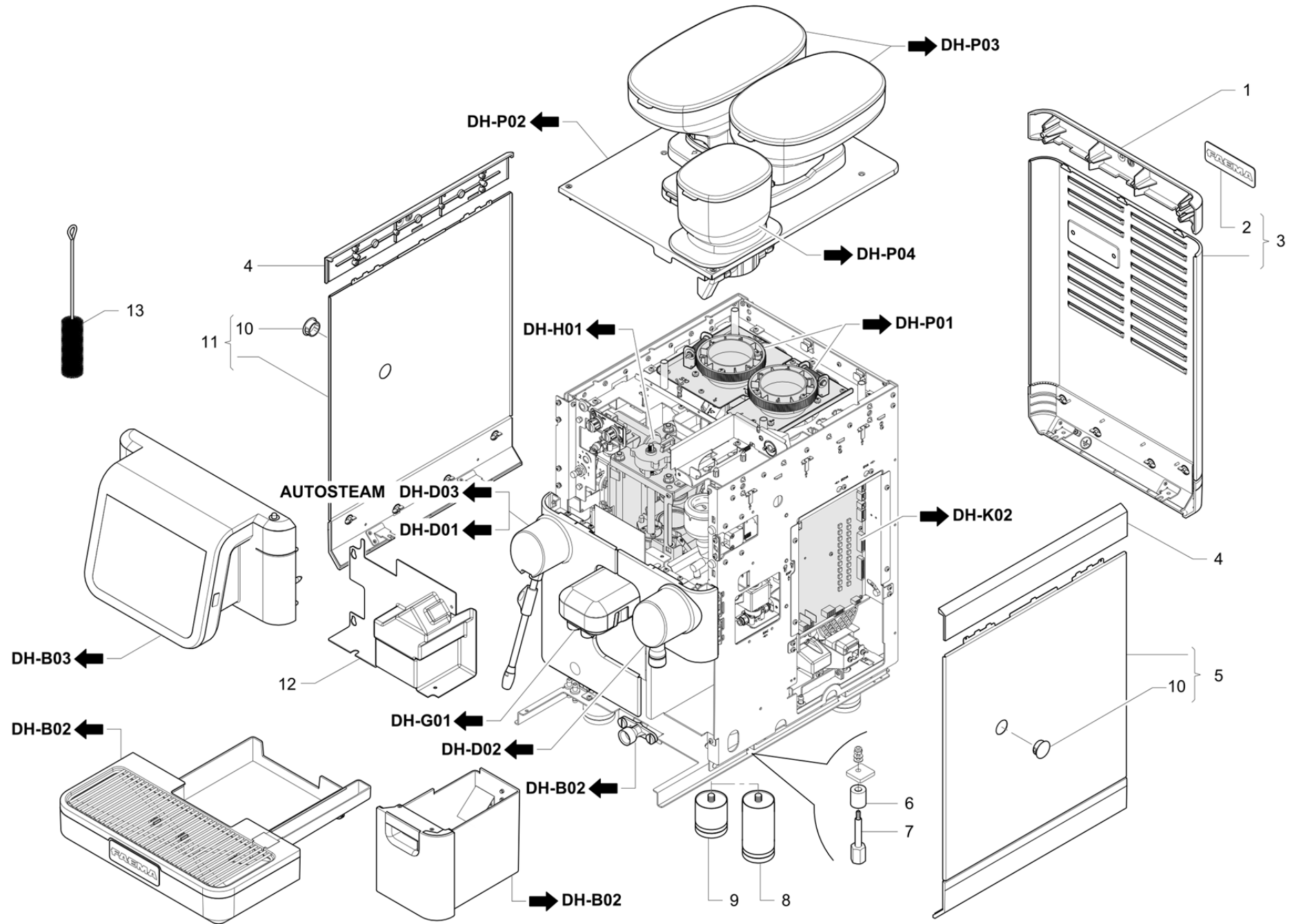
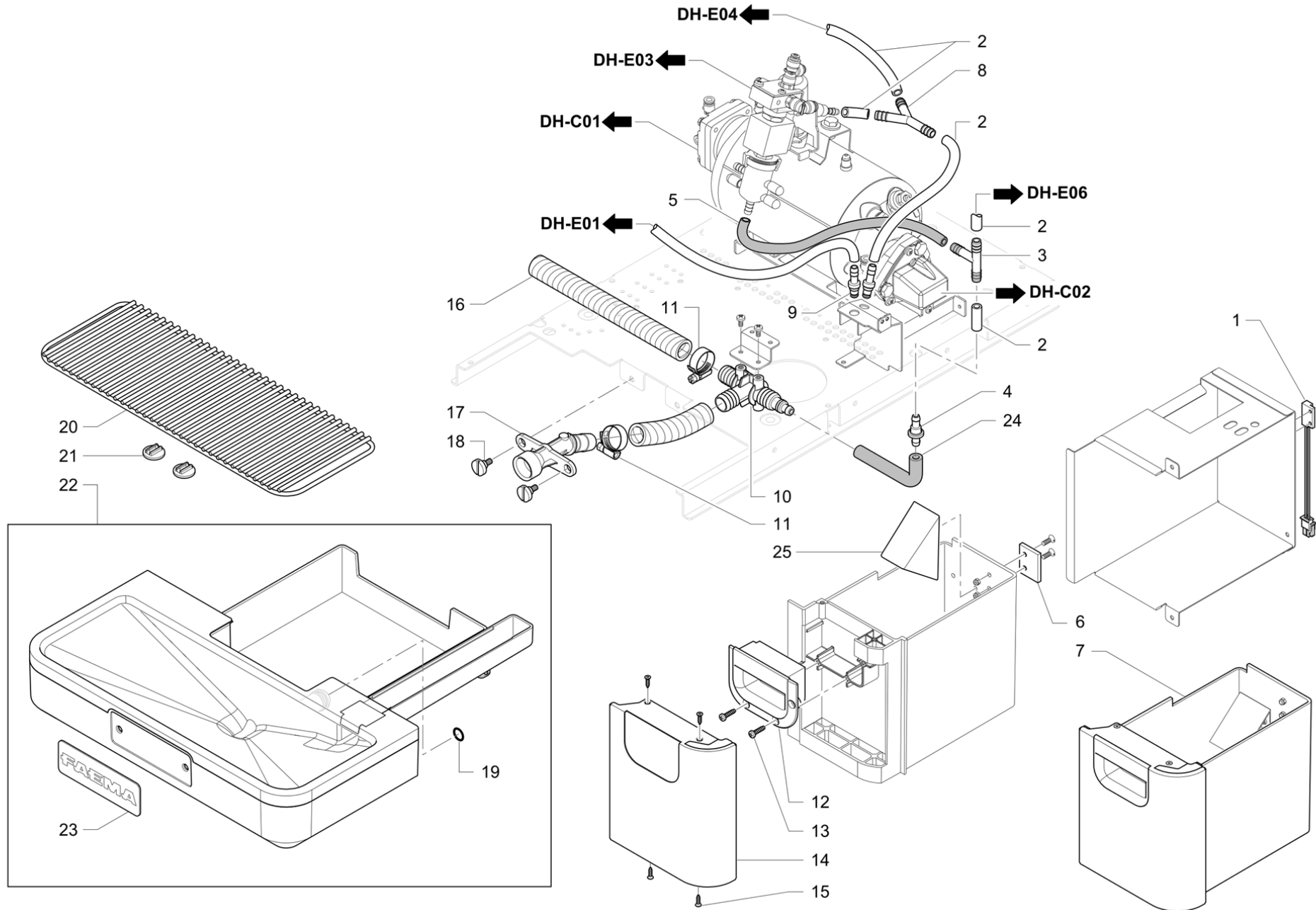


Pos	Part Number	Description	Validity	Notes
1	981899000	KIT "A" X20 S20 44MM	G:D44	
1	981900000	KIT "A" X20 S20 50MM	G:D50	
2	981901020	KIT "B" PPM X20/30 S20/30		
3	981902000	KIT "C" PPM X20 S20		
4	981903010	KIT "D" PPM X20 S20		
5	981904000	KIT "E" X20 S20 44MM	G:D44	
5	981905000	KIT "E" X20 S20 44MM MF	G:D44 MF	
5	981906000	KIT "E" X20 S20 50MM	G:D50	
5	981907000	KIT "E"X20 S20 50MM MF	G:D50 MF	
6	981908010	KIT "F" PPM X20 S20		
	⇒ 981908000	KIT "F"X20 S20		
7	981909020	KIT "I" PPM X20 S20		
7	981945010	KIT "I" PPM X20 S20 NSF	N:NSF	

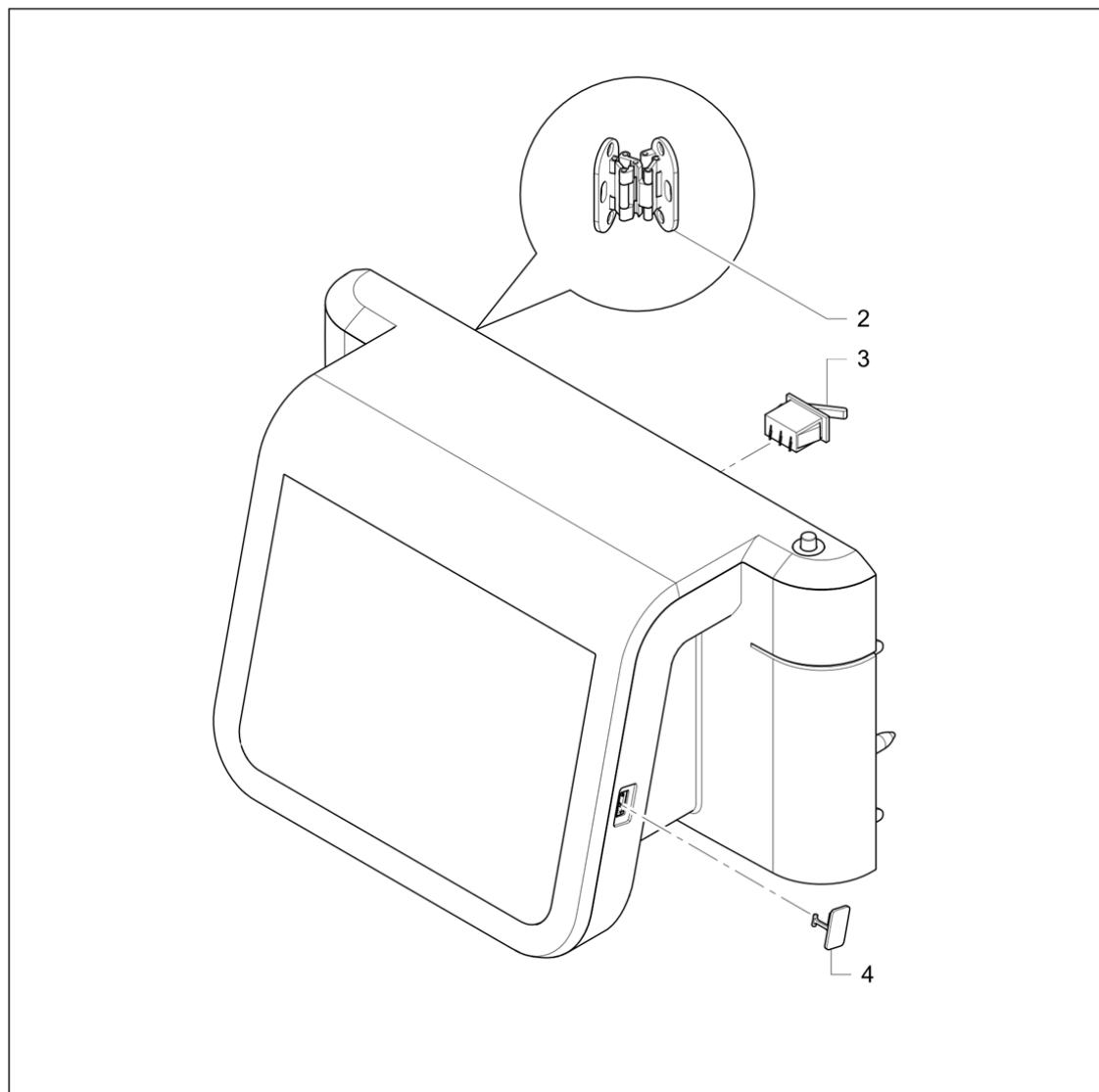




Pos	Part Number	Description	Validity	Notes
1	966123020	UPPER REAR PLASTIC FRAME		
2	966204010	BASIN WITH FAEMA LOGO		
3	981897000	REAR PANEL ASS. X20		
4	966121020	UPPER LEFT PLASTIC FRAME		
5	946982000	BLACK RH PANEL ASS. WITH HOLE		
6	966294000	SPACER		
7	966295010	PANEL FIXING SCREW		
8	532805500	NYLON/STAINLESS STEEL ADJ. FOOT H105/137	N:NSF	
9	532805000	ADJUSTABLE FOOT		
10	532177900	CAP D.25mm		
11	981862000	SIDE PANEL ASS. WITH HOLE		
12	981065000	INTERNAL CASING		
13	433145000	PIPE BRUSH D.35		

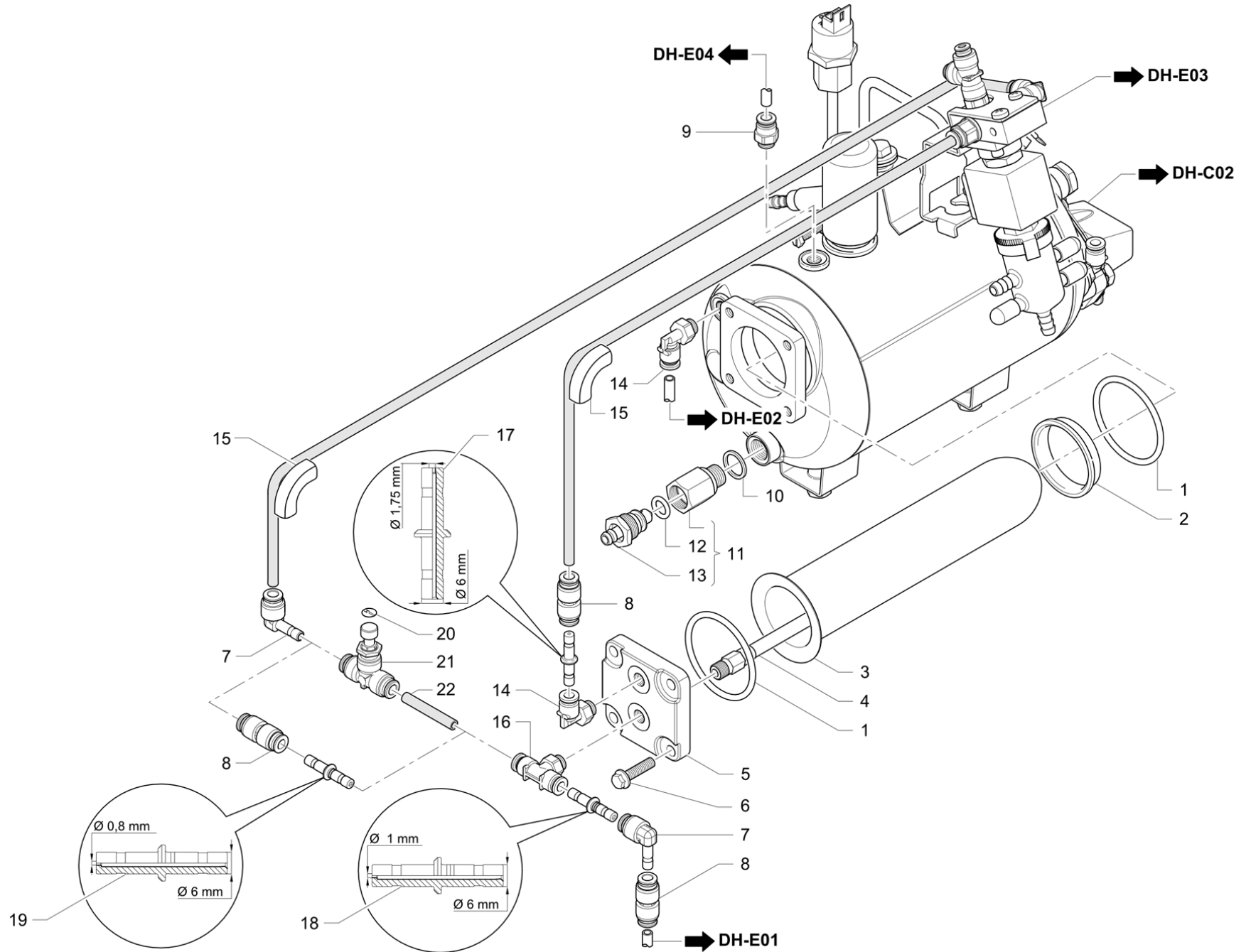


Pos	Part Number	Description	Validity	Notes
1	463726000	MAGNETIC CONTACT		
2	220000016	SILICONE PIPE D 6X10		
3	532302100	T - FITTING		
4	484381000	UNION		
5	220000055	TUBE Diam. 6x10		
6	410146000	MAGNETIC CONTACT		
7	946804000	BOTTOMS DRAWER ASSEMBLY		
8	532302720	Y-UNION		
9	916184010	1/8 GAS UNION		
10	946552000	LH DRAIN COUPLING WITH INSERTS		
11	613500396	CLIP 14-24		
12	966078010	COFFEE GROUNDS DRAWER HANDLE (black)		
13	523140120	SCREW T.C. 4X12 FOR PLASTIC		
14	966059010	COFFEE GROUNDS DRAWER LINING		
15	523103120	SCREW 3X12		
16	532302500	DRAIN PIPE		
17	916252000	SERIE1 DRAIN UNION		
18	916256000	SCREW M5		
19	401347000	O-RING VITON 15,54X2,62		
20	966220010	BASIN GRILLE		
	⇌ 966220000	BASIN GRILLE		
21	966153000	CUP POSITION INDICATOR		
22	981898000	DRIP TRAY ASS. X20		
23	966204010	BASIN WITH FAEMA LOGO		
24	220000059	7x13 Diam.TUBE		
25	946524000	GROUND'S DIVERTER		

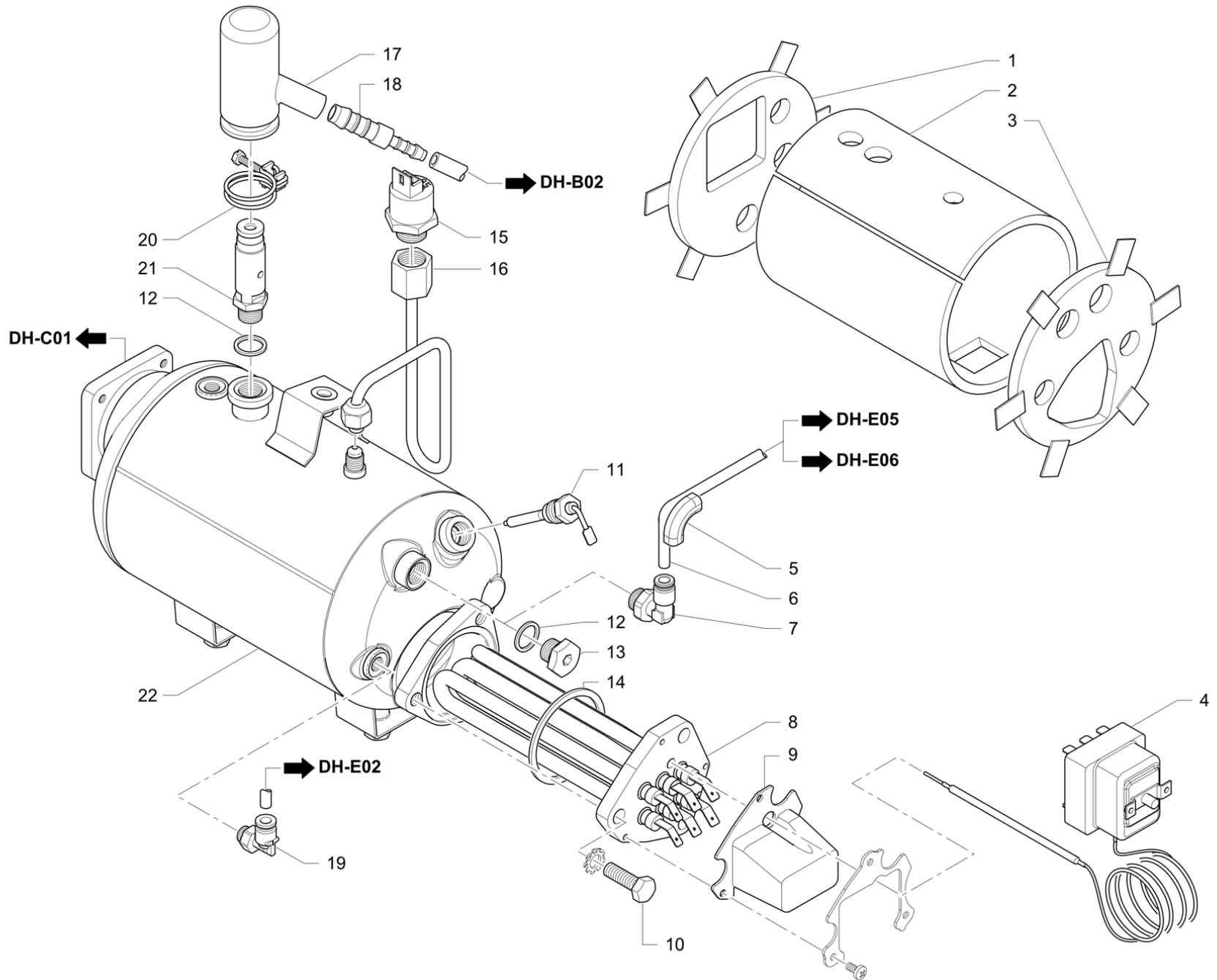


Pos	Part Number	Description	Validity	Notes
1	981764000	COMMAND PANEL ASS.		
2	966301000	HINGE		
3	532022708	MICROSWITCH		
4	966106000	USB RUBBER CLOSURE WASHER		

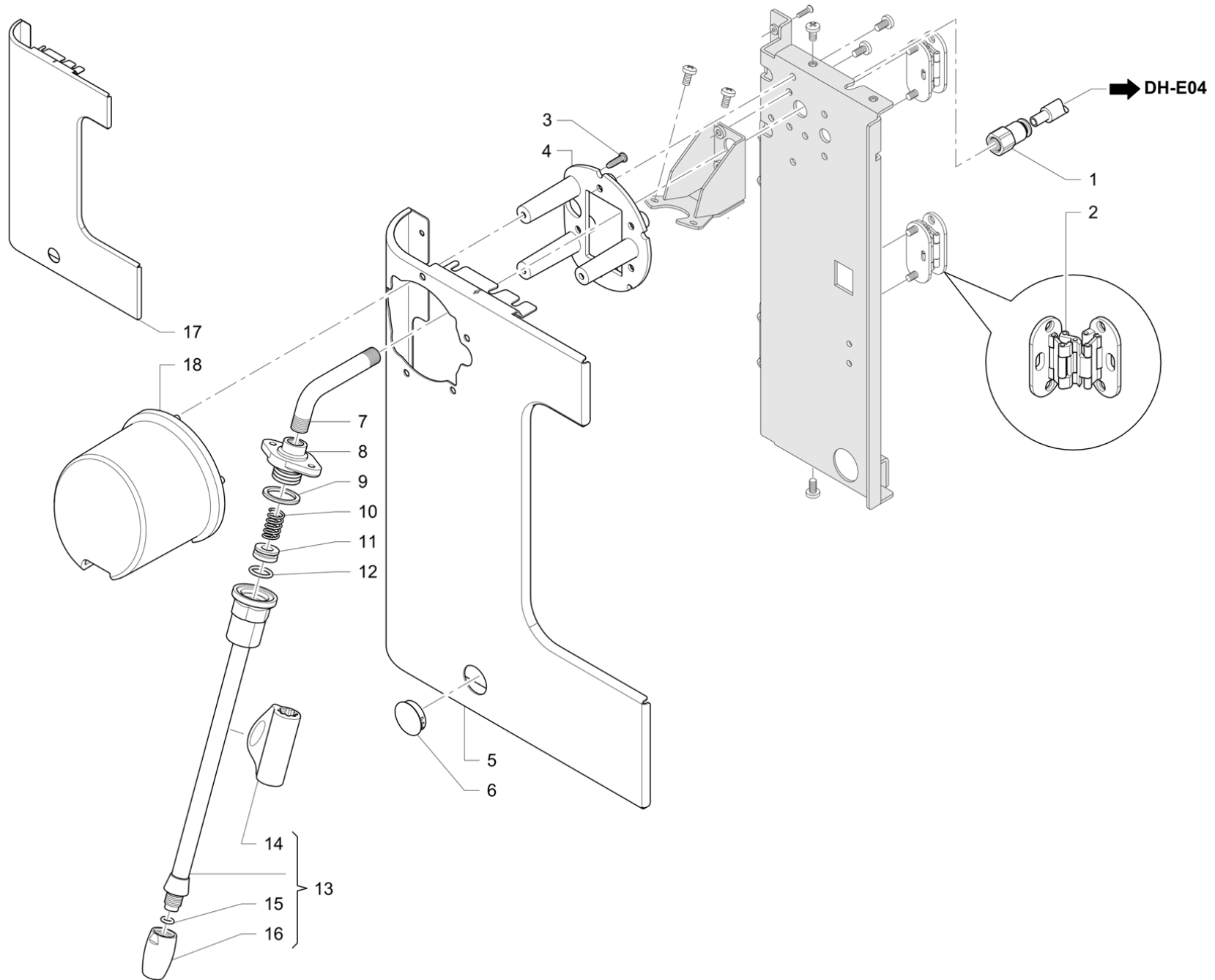




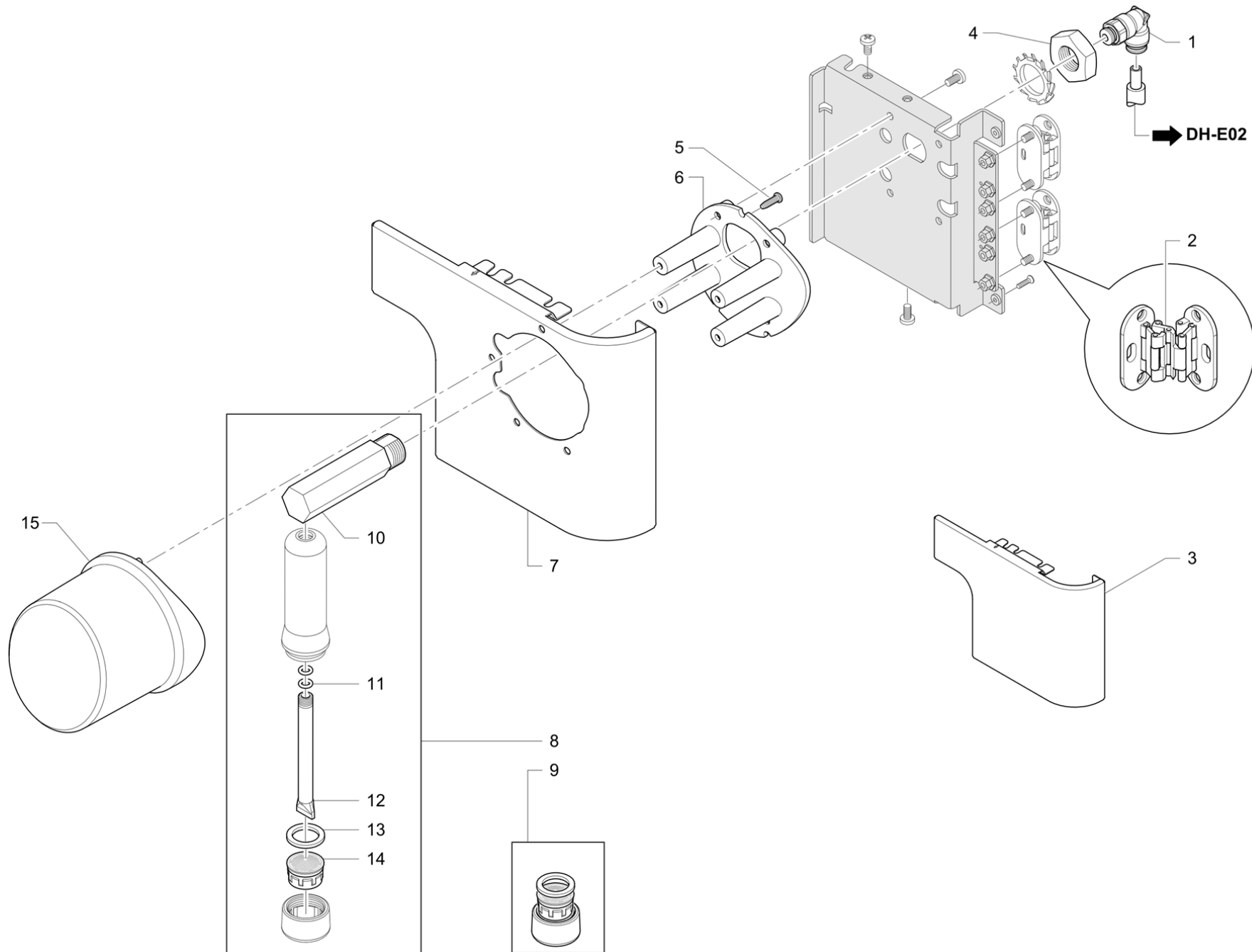
Pos	Part Number	Description	Validity	Notes
1	402317020F	OR 50.39X3.53 EPDM 70 NSF		
2	457165028	HEAT EXCHANGER RING		
2	457401008F	NSF CARTRIDGE RING	N:NSF	
3	457207002	HEAT EXCHANGER		
3	457207005	HEAT EXCHANGER NSF-USA-JPNmm21	N:NSF	
4	916543020F	NSF CARTRIDGE SUPPLY TUBE ASSY		
5	981013008F	RUVECO CARTRIDGE COVER		
6	593783000	HEX HEAD SCREW M6X20 WITH TOOTHED EDGE S		
7	532657100	ELBOW CONNECTOR WITH QUICK COUPLING		
8	532657700	STRAIGHT CONNECTOR D6		
9	532659900F	STRAIGHT CONN. 1/8 M D.6 F		
10	401214000	GASKET		
11	419947000	BOILER DRAIN ASS. - STRAIGHT 1/8		
12	402220000	O-RING 9,13X2,62		
13	419077010	DRAIN TAP DISC		
14	532658700F	90 COUPLING 930X4M-6F-1/8		
15	966026000	TUBE BENDER		
16	532658800F	T COUPLING 921X4-6F-1/8		
17	981085000	Nozzle Diam. 1.75mm		
18	966431000	NOZZLE Diam. 1mm		
19	966433000	NOZZLE Diam. 0.8mm		
20	947156000	HOT AIR LABEL		
21	532393500F	FLOW REGULATOR		
22	981950000	PFA TUBE Diam. 6x4 Length 40mm Sp.		
22	981924010	KIT PFA TUBE 6x4 L.330mm/L.40mm	N:NSF	



Pos	Part Number	Description	Validity	Notes
1	981031000	CARTRIDGE SIDE BOILER PROTECTION S10		
2	981029000	BOILER PROTECTION S10		
3	981030000	RESISTOR SIDE BOILER PROTECTION S10		
4	531193100	SAFETY THERMOSTAT		
4	531191800	SAFETY THERMOSTAT U.L.	N:UL	
5	966026000	TUBE BENDER		
6	220000022	RISLAN PIPE 4X6		
7	532660200F	ELBOW JOINT 1/4 M D.6 F ADJUST.		
8	981007010F	RESISTOR 220V 2700W S20		
8	981007018F	RESISTOR 220V 2700W C/W RUVECO	N:NSF	
	⇒ 981007008F	RESISTOR 220V 2700W W/RUVECO	N:NSF	
9	910445000	COVER FOR RESISTOR		
10	503908250	SCREW		
11	537053000	PROBE LEVEL L=69MM ASS.		
12	401250010	GASKET § 17,9X14,2X1,5		
13	594537010	BLIND NIPPLE 1/4 GAS ST. STEEL		
14	401194010	GASKET BOILER FLANGE		
15	531197700	PRESSURE SENS. 2 BAR		
16	981011000F	PRESSURE SENSOR TUBE ASSEMBLY		
16	981011008F	PRESSURE SENSOR TUBE ASSEMBLY RUV	N:NSF	
17	966492000	SAFETY VALVE PROTECTION		
18	532600700	HOSE ADAPTOR		
19	532658700F	90 COUPLING 930X4M-6F-1/8		
20	532746200	CABLE TIE-RAPS WITH SCREW		
21	532392500	SAFETY VALVE 1,9 1/4G		
22	981893000	BOILER ASS.		
22	981894000	BOILER ASS. NSF	N:NSF	

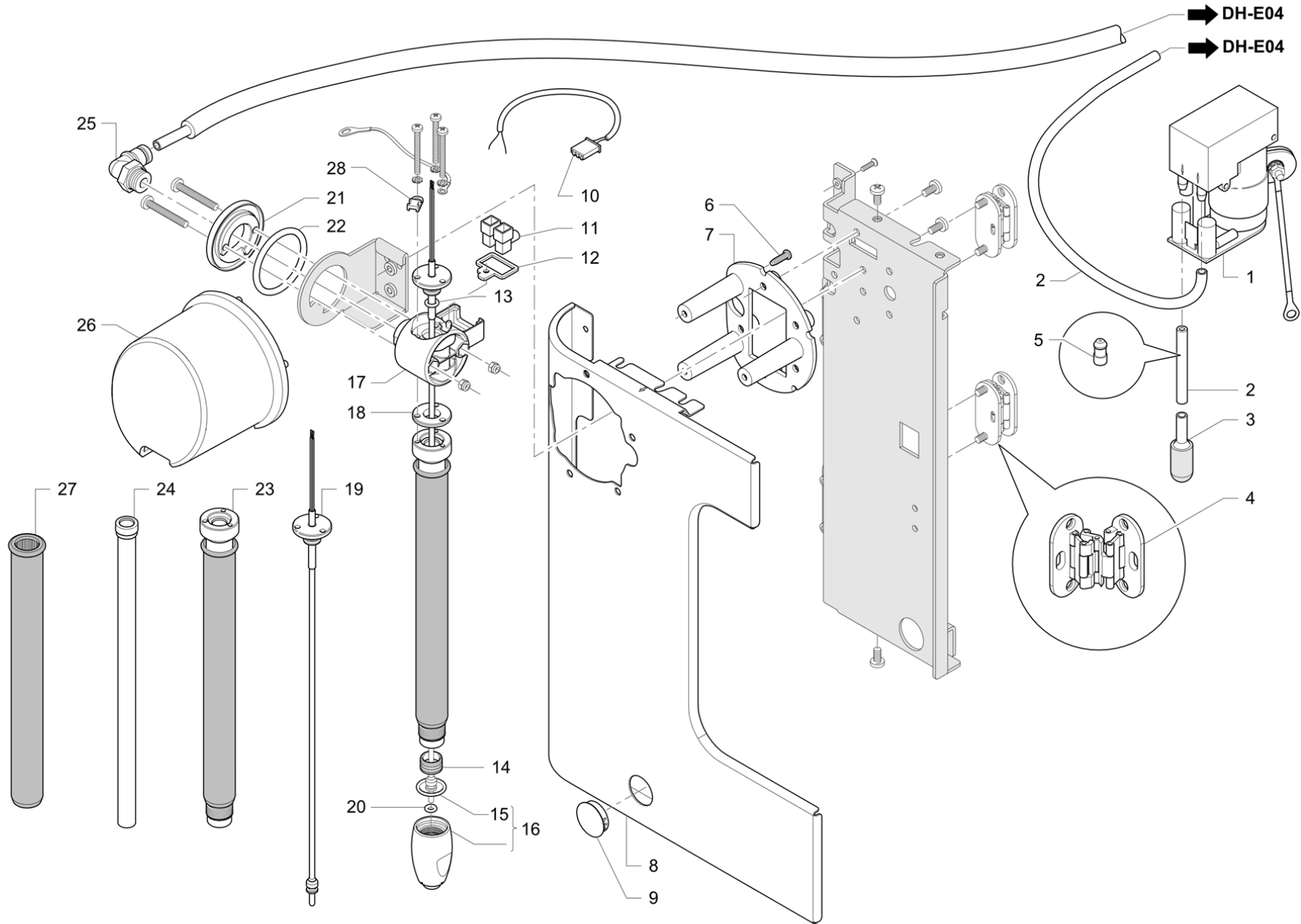


Pos	Part Number	Description	Validity	Notes
1	532656500	STRAIGHT CONNECTOR D.61/8 F		
2	966301000	HINGE		
3	523135120	SCREW AUTO.T.C.CR. 3,5X12		
4	966515000	STEAM CASING RESTRAINT		
5	966053010	STEAM PANEL		
6	532727800	LOW CAP		
7	966290000	STEAM WAND TUBE		
8	484016048	CONNECTOR FOR DISPENSER		
9	401183010	GASKET 22X17X1,5 INLET VALVE		
10	485061010	STAIN LESS STEEL SPRING		
11	485078010	GASKET		
12	401204000	GASKET		
13	985758000	STEAM TUBE ASSEMBLY WITH BULB		
14	927132010	MANIFOLD		
15	402223000	O-RING 7,65X1,78 TS PROBE		
16	913438000	STEAM NOZZLE		
17	946259000	PANEL WITHOUT STEAM		
18	966045010	STEAM CASING		

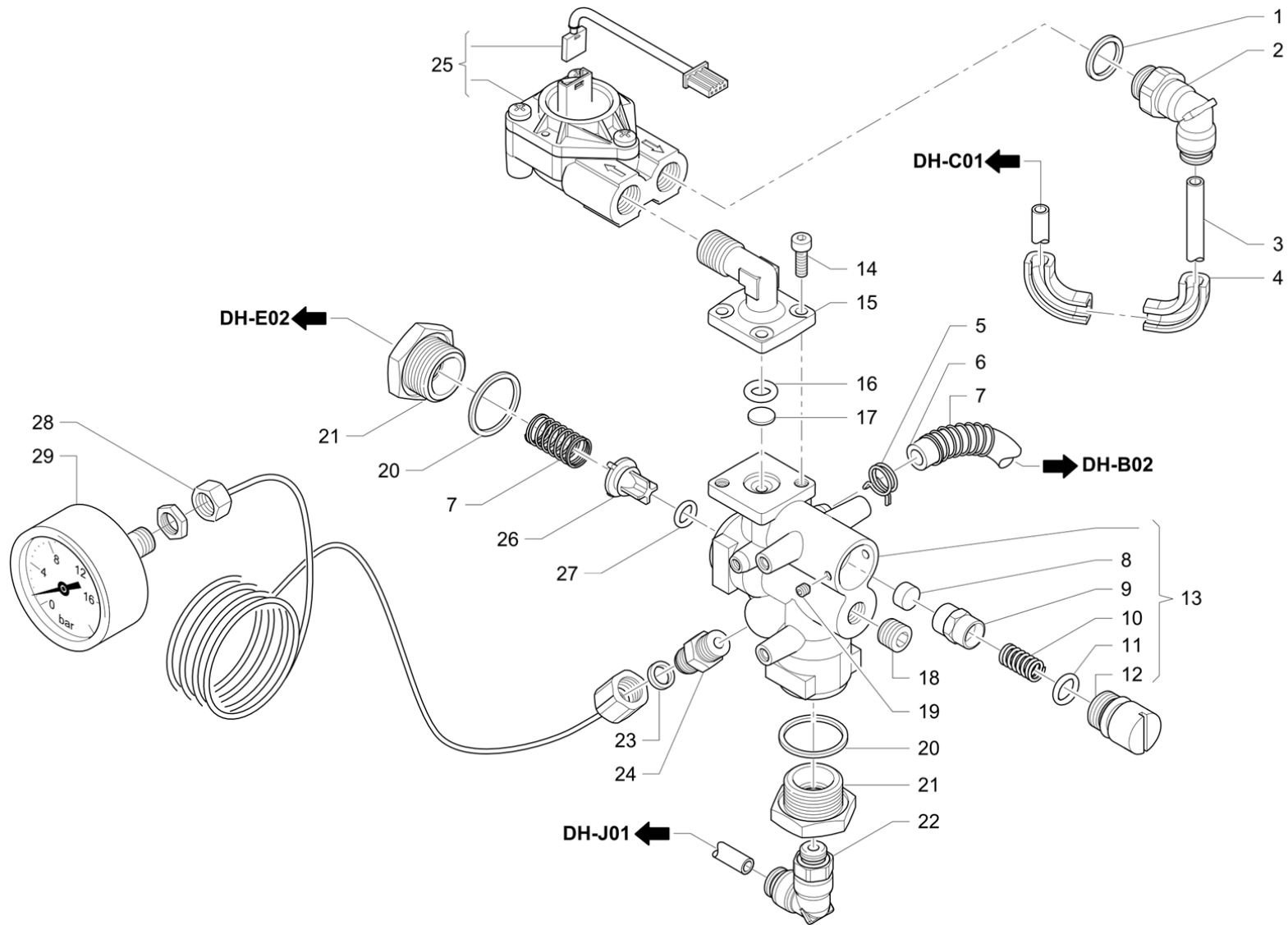


Pos	Part Number	Description	Validity	Notes
1	532656000	G1/8 M RUBB.CONN.		
2	966301000	HINGE		
3	946398000	RH FRONT PANEL		
4	532738700	NUT		
5	523135120	SCREW AUTO.T.C.CR. 3,5X12		
6	966516000	WATER CASING RESTRAINT		
7	966050010	WATER PANEL		
8	946811000	WATER DISPENSER ASSEMBLY		
9	985716020F	M22X1 JET BREAKER		
10	966287000	EXPANDABLE WATER DISPENSER CONNECTOR		
11	402318000	OR SEAL 7.65X1.78 NBR		
12	966289000	EXPANDABLE WATER DISPENSING TUBE		
13	402320000F	21X15X2 NSF SEAL		
14	532305000	FILTER		
15	966046000	WATER CASING		

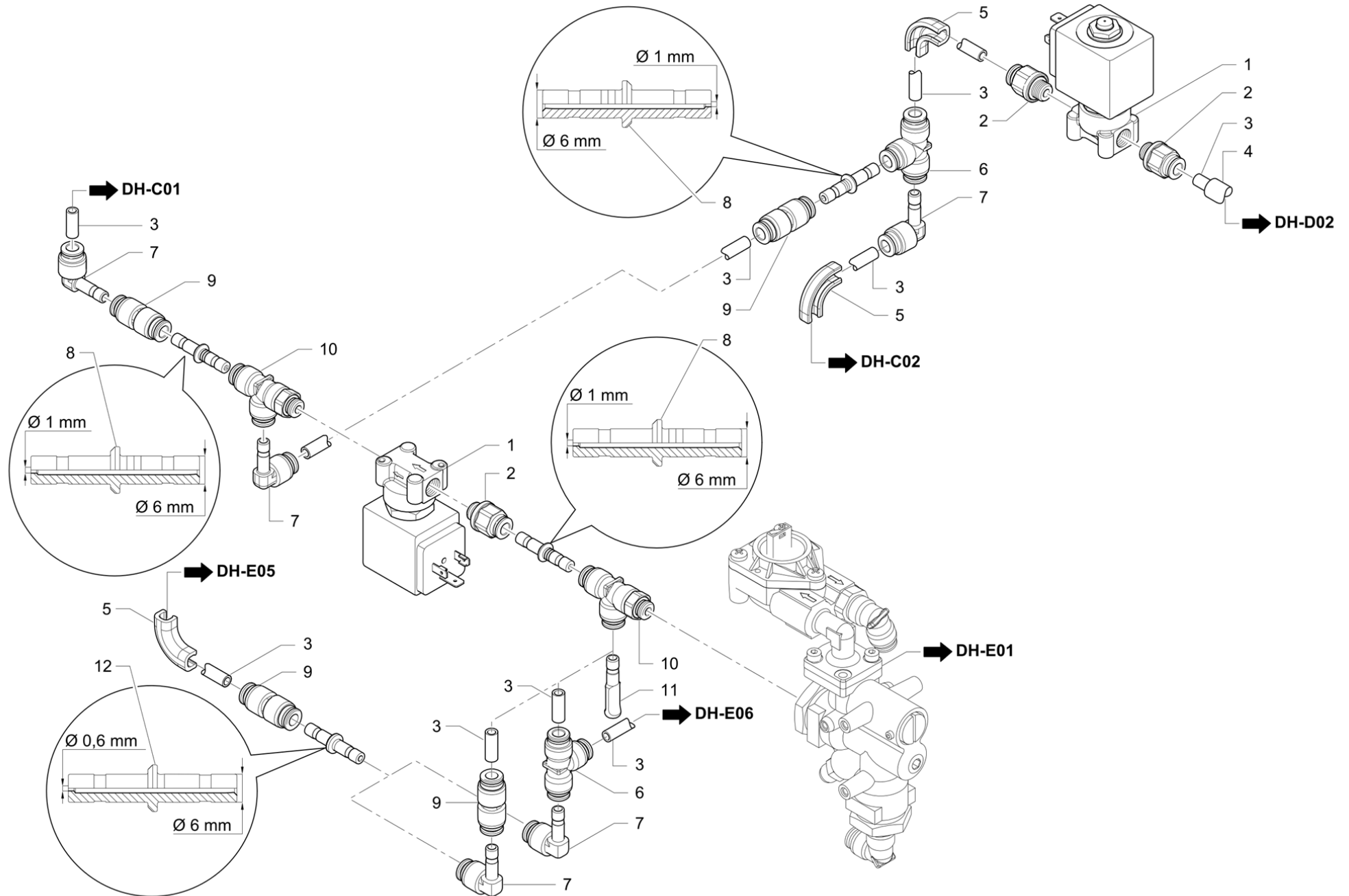




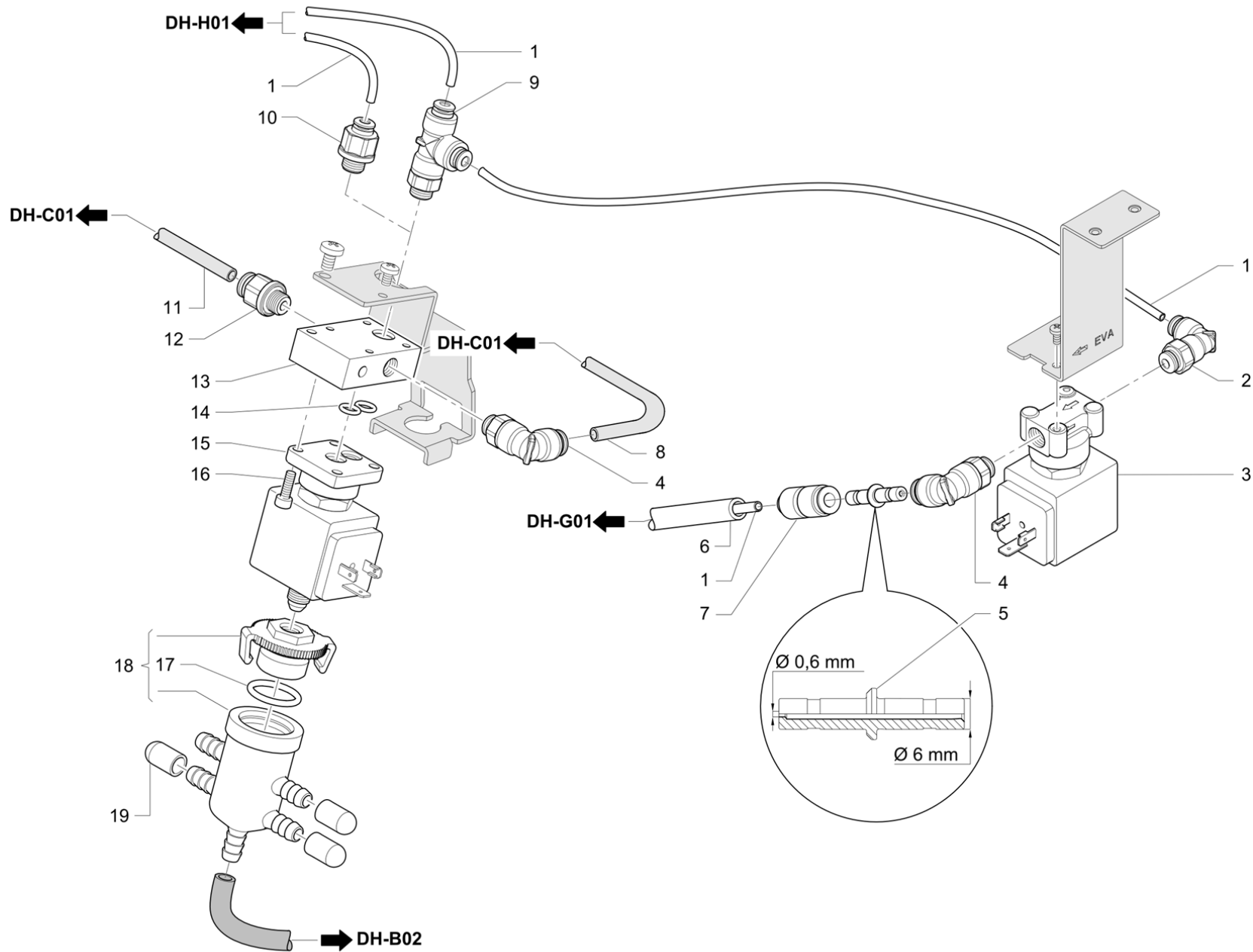
Pos	Part Number	Description	Validity	Notes
1	938898000	12 V COMPRESSOR KIT		
2	220000013	SILICONE PIPE D 3X6		
3	534600300	SILENCER		
4	966301000	HINGE		
5	956136010	COMPRESSOR NOZZLE DIAM. 0.35		
6	523135120	SCREW AUTO.T.C.CR. 3,5X12		
7	966515000	STEAM CASING RESTRAINT		
8	966053010	STEAM PANEL		
9	532727800	LOW CAP		
10	966356000	S30 SHIELDED CABLE ASSEMBLY		
11	532149500	TERMINAL		
12	485291000	CLAMP		
13	402223000	O-RING 7,65X1,78 TS PROBE		
14	495331000	LOWER SEAL FLANGE		
15	402218000	GASKET 14X1.78 NF		
16	985757000	BULB TERMINAL ASSY TSCT SP.PARTS		
17	485296030	UPGRADE JOINT		
18	495334010	TUBE UPPER SEAL FLANGE 10		
19	985512000	TSCT AVERAGE THERMOCOUPLE ASSEMBLY		
20	402250000	GASKET 3,68 X 1,78 INTERMEDIATE TS		
21	485289000	ROLLER		
22	402186010	OR 34.52X3.53 PLATIN. GASKET		
23	985510020F	TSCT TUBE ASSEMBLY - AVERAGE		
24	985506020F	TSCT COAXIAL TUBE ASSEMBLY		
25	532654100	FITTING 6G 1/4		
26	966045010	STEAM CASING		
27	495337000	EXTERNAL PROTECTION		
28	532141400	CABLE SUPPORT		



Pos	Part Number	Description	Validity	Notes
1	402302000	GASKET 17X13,2X1X5		
2	532656100	G1/4 M RUBB.CONN.		
3	220000022	RISLAN PIPE 4X6		
4	966026000	TUBE BENDER		
5	532704200	DOUBLE CABLE TIE-RAPS		
6	220000016	SILICONE PIPE D 6X10		
7	418014000	SPRING FOR VALVE		
8	402203000	GASKET BLIND NF		
9	415020000	GASKET HOLDER		
10	415004000	STAINLESS STEEL SPRING		
11	402219000	O-RING 10,78X2,62 NF		
12	415019010	EXPANSION VALVE ADJUSTING SCREW		
13	944881000F	VALVE BODY WITH CALIBRATED VALVE		
14	511804120	S.S. M4X12 VTCE SCREW		
15	946302008	CONNECTOR FOR VALVE BODY 1/4 CONICAL		
16	402195000	O-RING 9,25X1,78 NF		
17	481361000	FILTER WITH HOLDER 9X1.5 INOX		
18	532501300R	SCREW SO-40371-1/8		
19	512904050	S.S. M4X5 SCREW		
20	400335010	GASKET 21X24,5X1,5		
21	419083000	CAP EXPANSION		
22	532656000	G1/8 M RUBB.CONN.		
23	401196010	GASKET 8,5X4,5X1,5		
24	532501800R	FITTING 1/8 X 1/8		
25	534393100	FLOWMETER WITH ADAPTOR		
26	418012028	SHORT VALVE		
27	402220000	O-RING 9,13X2,62		
28	3951133673	TUBE FOR GAUGE		
29	3781133399	PUMP GAUGE		

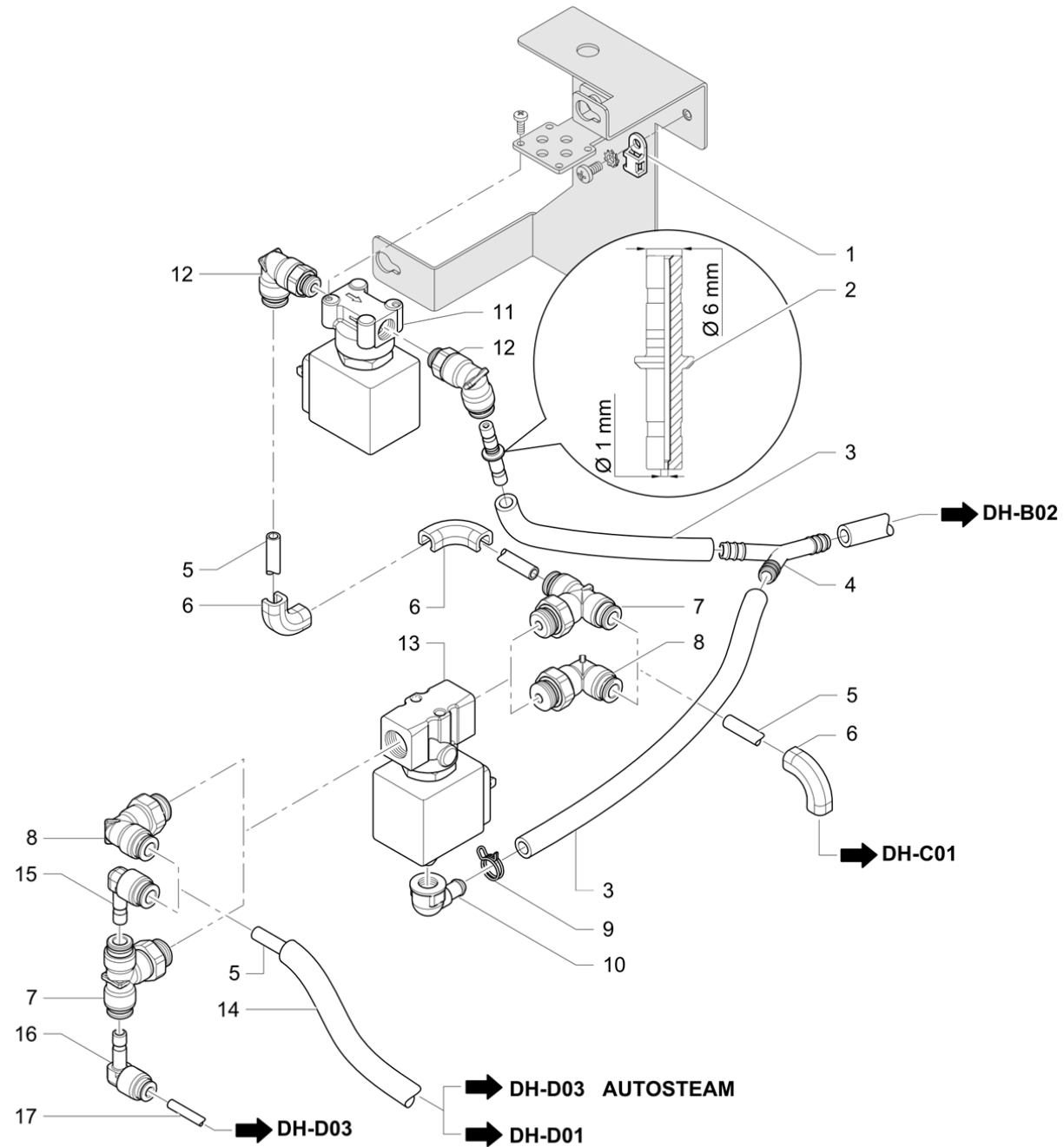


Pos	Part Number	Description	Validity	Notes
1	533896600R	SOLENOID VALVE 24V DC		
2	532655700	STRAIGHT CONNECTOR G1/8 M		
3	220000022	RISLAN PIPE 4X6		
4	220000029	SILICONE PIPE D 7X11		
5	966026000	TUBE BENDER		
6	532656700	T-SHAPED CONNECTOR		
7	532657100	ELBOW CONNECTOR WITH QUICK COUPLING		
8	966431000	NOZZLE Diam. 1mm		
9	532657700	STRAIGHT CONNECTOR D6		
10	532656800	D.6-G1/8 M VERT. T.CONN.		
11	532658400	CLOSING DIAM.6		
12	966432000	NOZZLE Diam. 0.6mm		

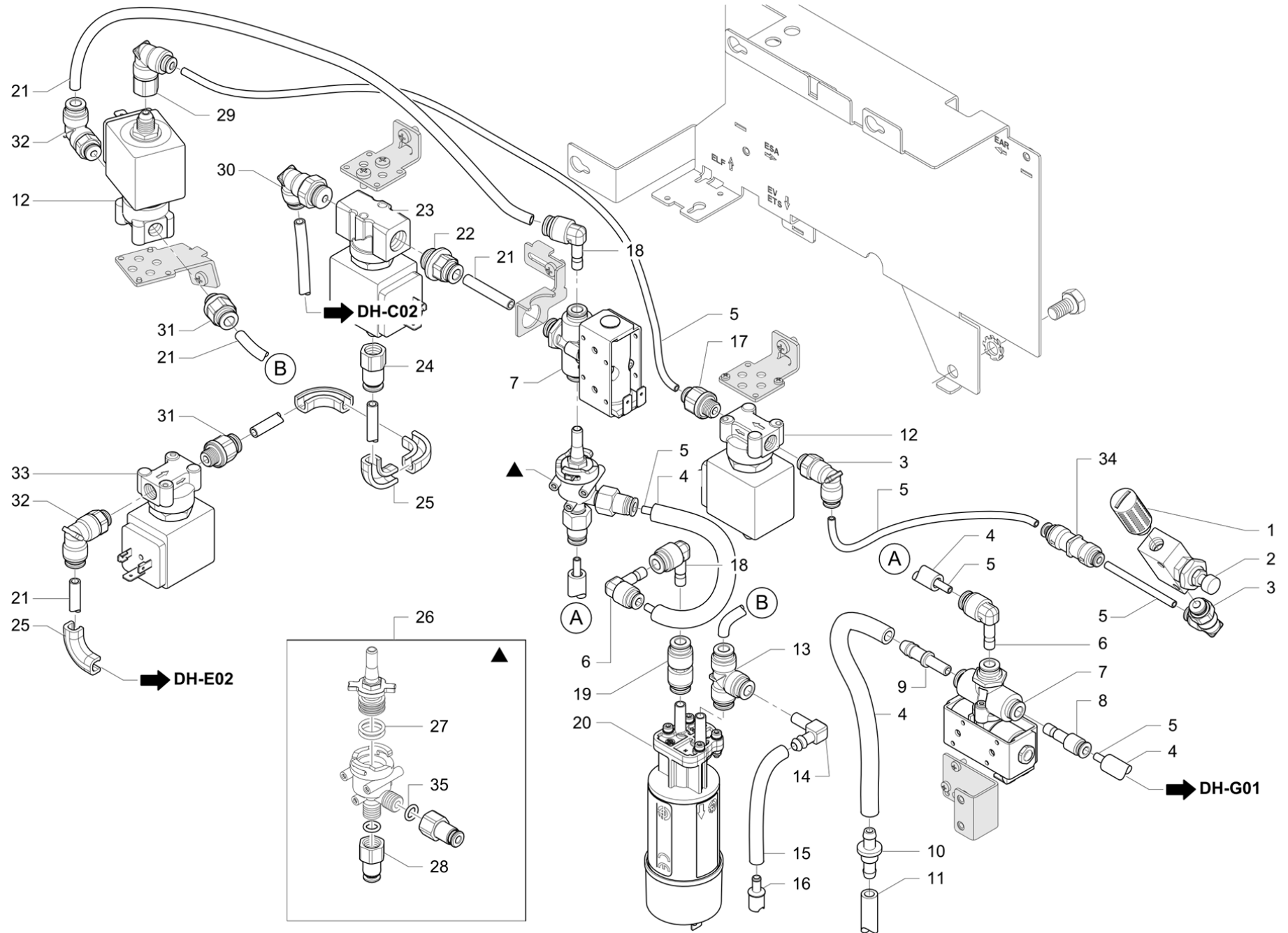


Pos	Part Number	Description	Validity	Notes
1	220000021	TEFLON TUBE D 2,5X4		
2	532655900	G1/8 M RUBB.CONN.		
3	533896600R	SOLENOID VALVE 24V DC		
4	532656000	G1/8 M RUBB.CONN.		
5	966432000	NOZZLE Diam. 0.6mm		
6	220000016	SILICONE PIPE D 6X10		
7	532656400	PARTITION CONNECTOR		
8	981949000	PFA TUBE Diam. 6x4 Length 330mm Sp.		
8	981924010	KIT PFA TUBE 6x4 L.330mm/L.40mm	N:NSF	
9	532656900	VERT. T-SHAPED CONN.		
10	532659800F	STRAIGHT CONN. 1/8M D.4F		
11	981850000	TUBE PFA Diam. 6x4 Length 220mm SP. - SP		
11	981923000	6x4 L 220 mm TRANSPARENT PFA TUBE KIT	N:NSF	
12	532659900F	STRAIGHT CONN. 1/8 M D.6 F		
13	427039108	SOLENOID VALVE BLOCK RUVECO		
14	530501200	OR 2025		
15	533896500R	SOLENOID VALVE 24V DC		
16	511804120	S.S. M4X12 VTCE SCREW		
17	402228000	O-RING 18,72X2,62		
18	916537010	EXPANSION TANK ASS.		
19	532740610	CAP		

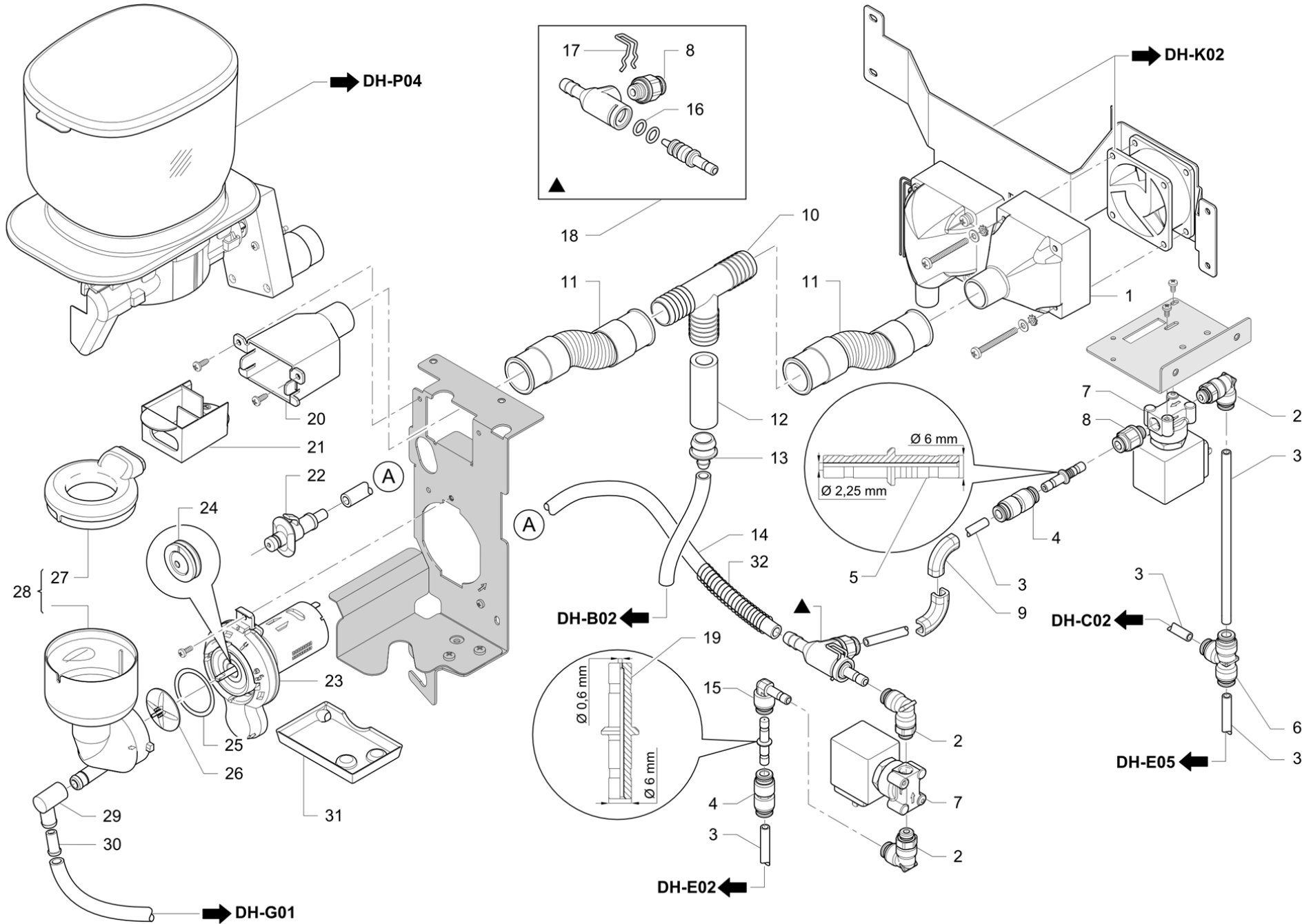




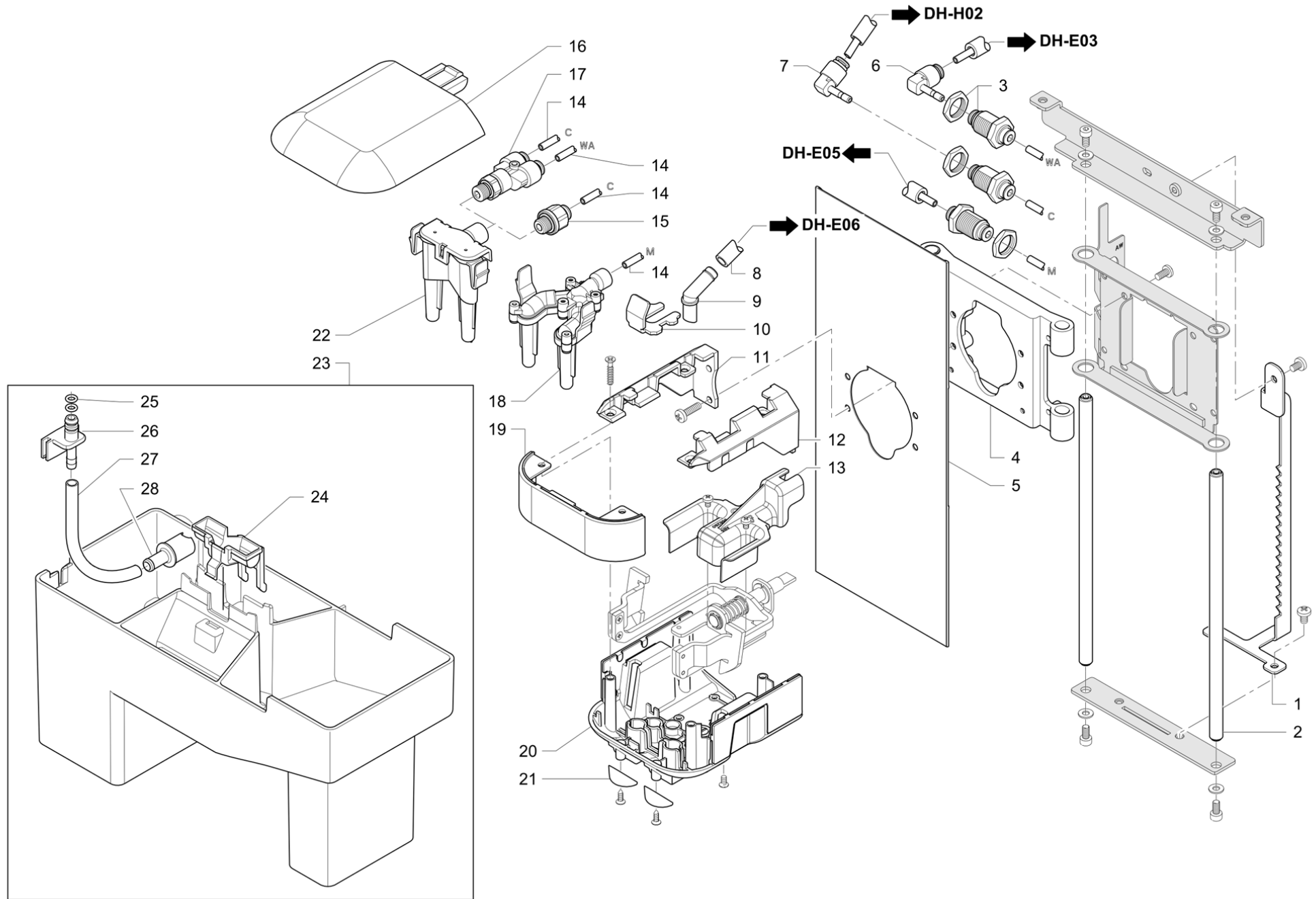
Pos	Part Number	Description	Validity	Notes
1	532141400	CABLE SUPPORT		
2	966431000	NOZZLE Diam. 1mm		
3	220000016	SILICONE PIPE D 6X10		
4	532302720	Y-UNION		
5	220000022	RISLAN PIPE 4X6		
6	966026000	TUBE BENDER		
7	532657200	CONNECTOR 1/4		
8	532656100	G1/4 M RUBB.CONN.		
9	441170001	CLIP		
10	448138018	UNION 1/8 F		
11	533896600R	SOLENOID VALVE 24V DC		
12	532656000	G1/8 M RUBB.CONN.		
13	533896910F	SOL.VALVE 3V NC D3 VITON 1/4G		
14	220000029	SILICONE PIPE D 7X11		
15	532657100	ELBOW CONNECTOR WITH QUICK COUPLING		
16	532567400	AD 4 D6 ELBOW JOINT		
17	220000021	TEFLON TUBE D 2,5X4		



Pos	Part Number	Description	Validity	Notes
1	534600100	FILTER AIR CAPP.		
2	946372000	FLOW ADJUSTER 1/8 NICKEL FINISH	N:NSF	
2	533590700	AIR VALVE		
3	532655900	G1/8 M RUBB.CONN.		
4	220000016	SILICONE PIPE D 6X10		
5	220000021	TEFLON TUBE D 2,5X4		
6	532567400	AD 4 D6 ELBOW JOINT		
7	533903900F	DIVERTER SV		
8	532657000	STRAIGHT QUICK COUPLING-6M-4F		
9	934168010	HOSE ADAPTOR FOR QUICK CONNECTION		
10	484381000	UNION		
11	220000055	TUBE Diam. 6x10		
12	533896800R	SOLENOID VALVE 3G 24V DC		
13	532656700	T-SHAPED CONNECTOR		
14	966409000	TUBE-HOLDER CONNECTOR WITH QUICK COUPLIN		
15	484391000	4,8X7,9X1000 SILICON PIPE		
15	946371000	NSF SILICON TUBE 4.2X7.85X1000MM	N:NSF	
16	966423000	MILK SUCTION FILTER		
17	532655600	STRAIGHT CONNECTOR G1/8 M		
18	532657100	ELBOW CONNECTOR WITH QUICK COUPLING		
19	532661300F	NOZZLE DIAM 1 WITH QUICK COUPLING		
20	533181000F	GEAR PUMP		
21	220000022	RISLAN PIPE 4X6		
22	532655800	STRAIGHT CONNECTOR G1/4 M D.6		
23	533896910F	SOL.VALVE 3V NC D3 VITON 1/4G		
24	532656500	STRAIGHT CONNECTOR D.61/8 F		
25	966026000	TUBE BENDER		
26	944794010	MILK WARMER ASSEMBLY		
27	401360000	O-RING 11,11X1,78		
28	532663000F	CONNECTOR		
29	532661600	QUICK COUPLING 90 1/8"		
30	532656100	G1/4 M RUBB.CONN.		
31	532655700	STRAIGHT CONNECTOR G1/8 M		
32	532656000	G1/8 M RUBB.CONN.		
33	533896600R	SOLENOID VALVE 24V DC		
34	532662600F	CHECK VALVE		
35	530501200	OR 2025		

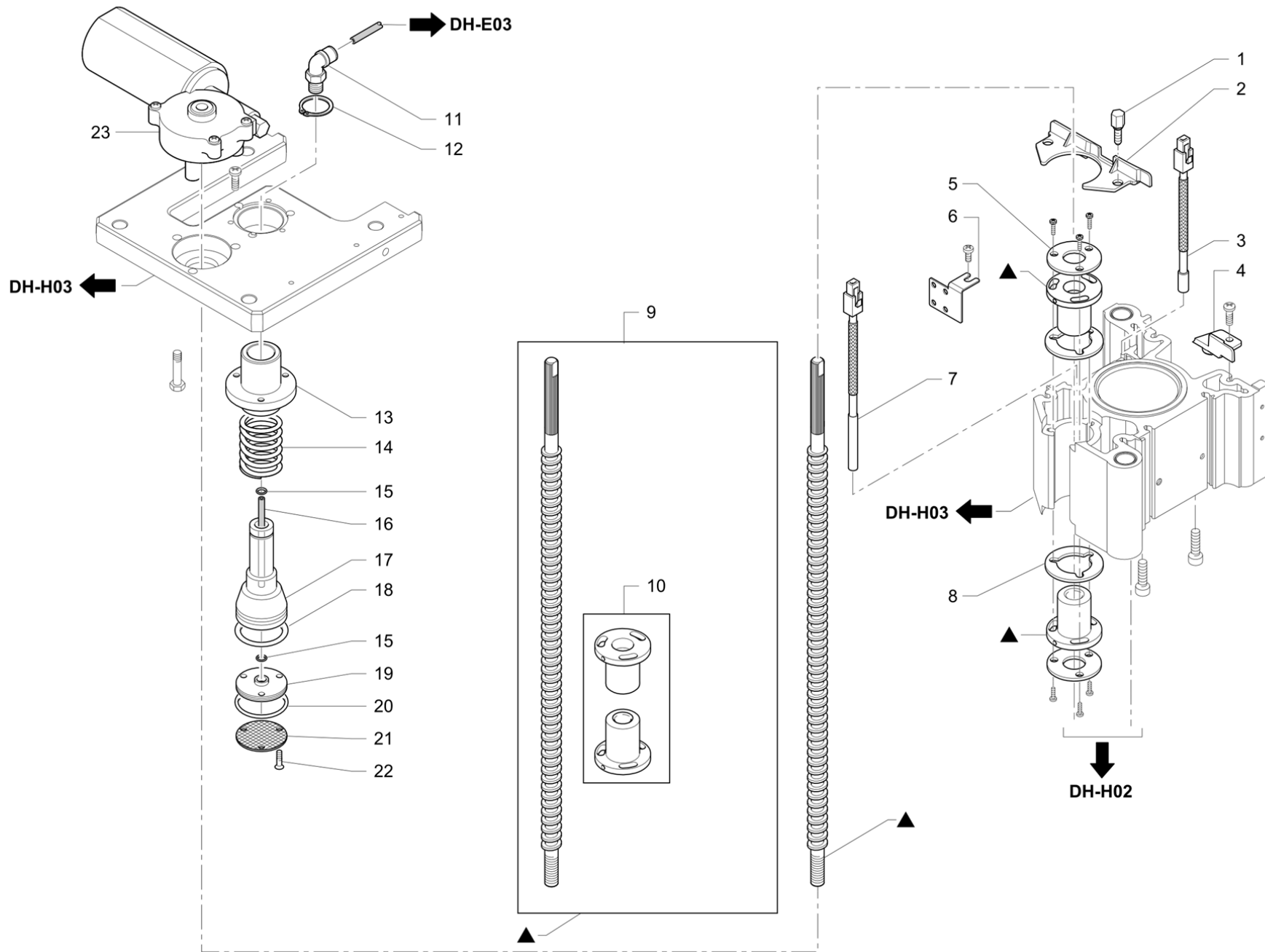


Pos	Part Number	Description	Validity	Notes
1	934010010	AXIAL FAN SUPPORT 60mm		
2	532656000	G1/8 M RUBB.CONN.		
3	220000022	RISLAN PIPE 4X6		
4	532657700	STRAIGHT CONNECTOR D6		
5	981126000	NOZZLE DIAM. 2.25MM		
6	532656700	T-SHAPED CONNECTOR		
7	533896600R	SOLENOID VALVE 24V DC		
8	532655700	STRAIGHT CONNECTOR G1/8 M		
9	966026000	TUBE BENDER		
10	532305700	T-SHAPED CONNECTOR Diam. 22		
11	966149010	MIXER SUCTION TUBE		
12	220000024	SILICONE PIPE D 15X21		
13	936299000	DOUBLE RUBBER HOLDER D8 D16		
14	220000016	SILICONE PIPE D 6X10		
14	220000061F	SILICON TUBE	N:NSF	
15	532657100	ELBOW CONNECTOR WITH QUICK COUPLING		
16	401371000	GASKET 6,75 X 1,78		
17	485147000	SPRING		
18	981947010	Mixer		
	≡ 981947000	MIXER WARMER ASSEMBLY		
19	966432000	NOZZLE Diam. 0.6mm		
20	966184000	FIXED SUCTION DRAWER		
21	966049000	SUCTION DRAWER		
22	981163000F	QUICK-FIT ADAPTER ASSEMBLY		
23	966770000	BASE ASSEMBLY + CV MIXER MOTOR		
24	946243000	INT. BASE GASKET, Diam. 4		
25	966419000	RED OR		
26	966402010	MIXER ROTOR		
27	966404000	MIXER BODY COVER		
28	946809000	MIXER BODY ASSEMBLY		
29	966405010	MIXER OUTLET CONNECTOR		
30	946397000F	NOZZLE 2.5mm		
31	946407000	MIXER DRIPTRAY		
32	418014000	SPRING FOR VALVE		

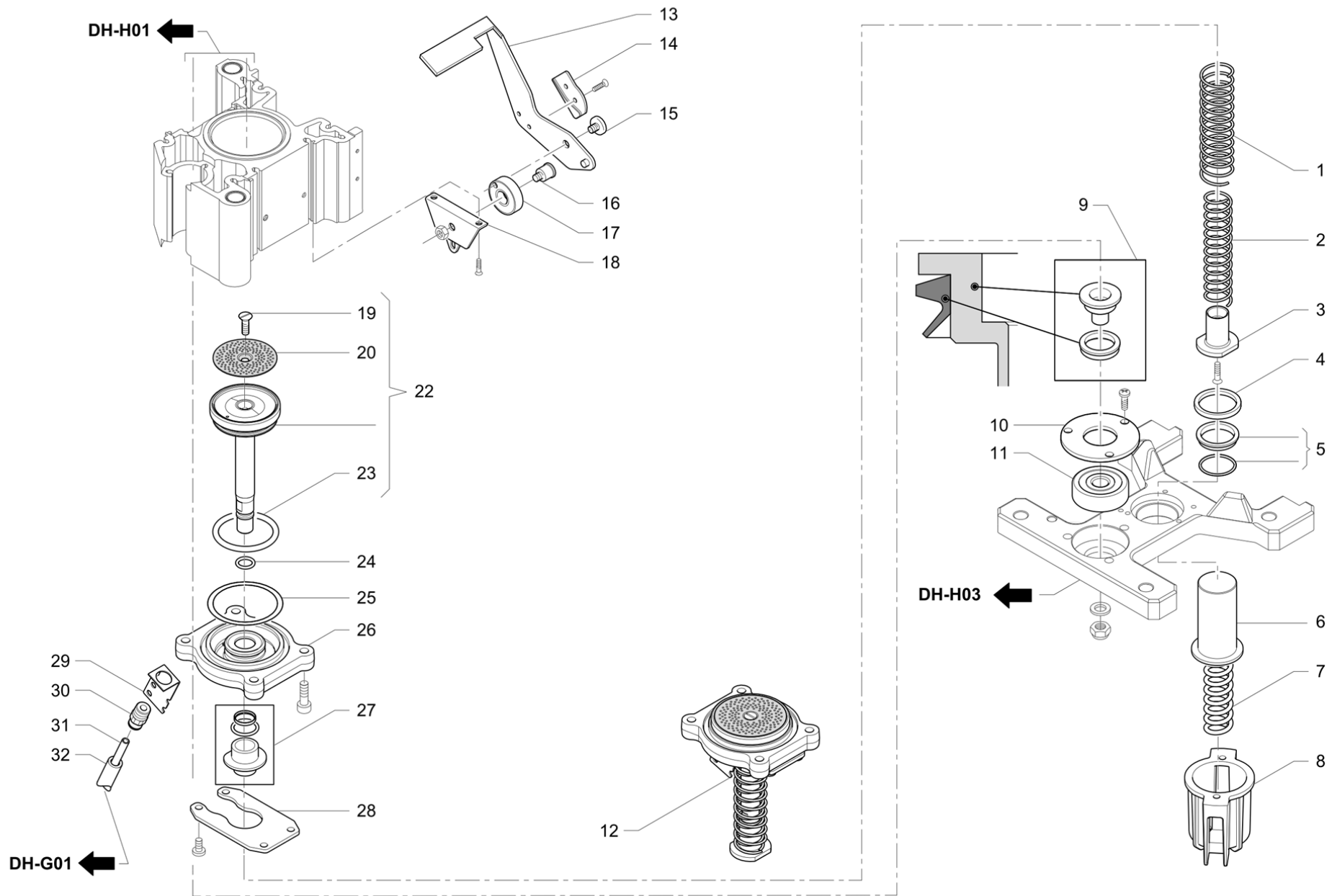


Pos	Part Number	Description	Validity	Notes
1	966271001	TOOTHING		
2	966222000	DISPENSER GUIDE ROD		
3	532657500	PARTITION CONNECTOR D4		
4	432544010	DELIVERY SPOUT SUPPORT		
5	966266000	SPOUT SLUICE-VALVE		
6	532567400	AD 4 D6 ELBOW JOINT		
7	532658900	ELBOW CONNECTOR WITH QUICK COUPLING D4		
8	220000061F	SILICON TUBE		
9	940168000	ONE WAY SPOUT		
10	943456010	SPOUT DELIVERY TUBE RETAINER		
11	966265000	LH SPOUT FRAME		
12	966264000	RH SPOUT FRAME		
13	966260000	MOTORISED SPOUT COUPLING CASING		
14	220000021	TEFLON TUBE D 2,5X4		
15	532655600	STRAIGHT CONNECTOR G1/8 M		
16	966254000	SPOUT COVER - WITH TABLES S30-		
17	532657600	Y-CONNECTOR D.4 G1/8		
18	946740000	MILK SPOUT ASS. SP.PART		
19	966545000	FRONT SPOUT SHELL ASSEMBLY		
20	966544000	LOWER SPOUT SHELL ASSEMBLY		
21	966225007	SPOUT		
22	946813000	COFFEE SPOUT ASSEMBLY		
23	981860010	WASH TANK ASSY S20		
24	946389000	MILK AND CHOCOLATE TUBE DIVERTER		
25	401400000	NBR SILICON OR 5.28x1.78		
26	966303000	CONNECTOR FOR FLOAT		
27	220000014	SILICON TUBE		
28	966423000	MILK SUCTION FILTER		

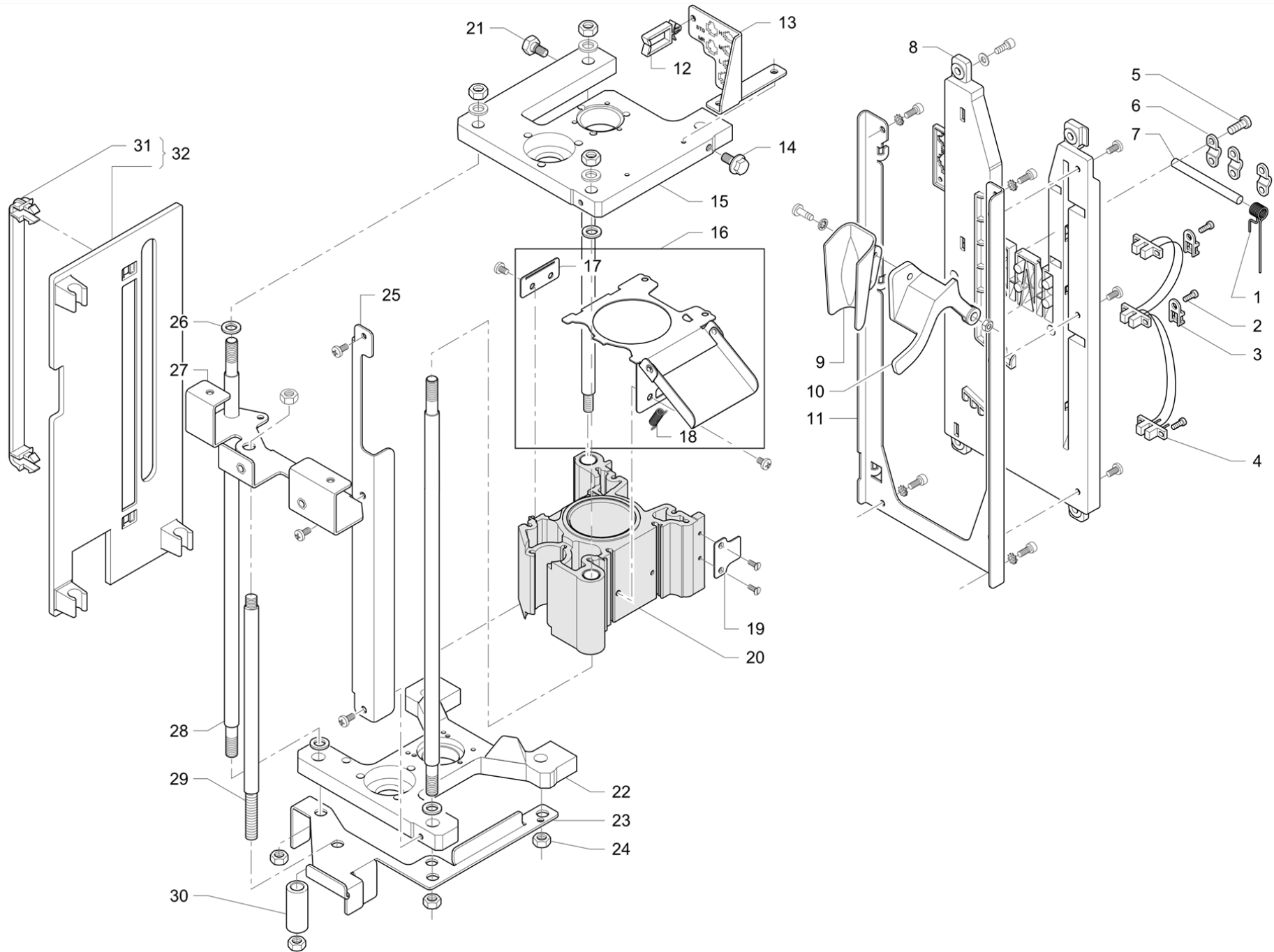




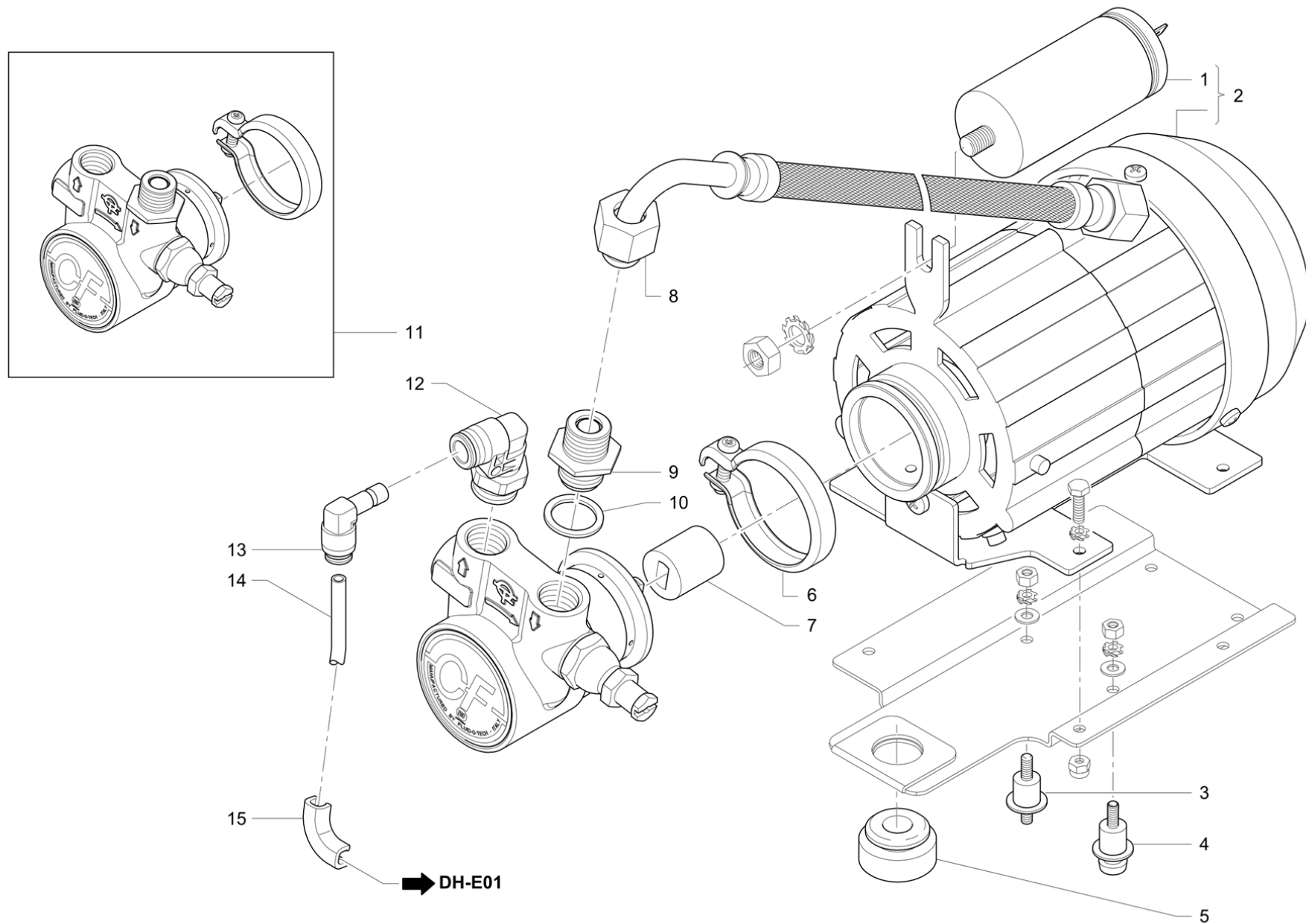
Pos	Part Number	Description	Validity	Notes
1	936073010	SPACER M4		
2	931197020	LEFT CHAMBER GROUP PROTECTION		
3	966486000	TEMPERATURE SENSOR		
4	931198030	RIGHT CHAMBER GROUP PROTECTION		
5	431257010	GROUP WASHER		
6	431151000	FIXING PLATE-KTY GR		
7	966485000	CARTRIDGE RESISTOR WITH CONNECTOR		
8	938065000	SEAT FOR NUT		
9	537050710	KIT COFFEE GROUP SNAILS-SCREW		
10	537050610	KIT COFFEE GROUP SNAILS		
11	532655900	G1/8 M RUBB.CONN.		
12	568219000	RING BENZING DIA 18		
13	431031040	BUSH UPPER PISTON		
14	461079000	SPRING GUIDE UPPER PISTON		
15	402247000	O RING 3,63X2,62		
16	220000021	TEFLON TUBE D 2,5X4		
17	431043035F	UPPER PISTON DIAM 44	G:D44	
17	431397035F	UPPER PISTON DIAM.50	G:D50	
18	402330000F	34,52x3,53 OR	G:D44	
18	402331000F	39,69x3,53 OR	G:D50	
19	431087020	CAP UPPER PISTON ø44	G:D44	
19	431398020	CAP UPPER PISTON ø50	G:D50	
20	402241000	O-RING 34,65 X 1,78	G:D44	
20	402240000	O-RING 41 X 1,78	G:D50	
21	427343000	FILTER 42MM.	G:D44	
21	431417000	FILTER ø50	G:D50	
22	503603120	S.S. M3X12 T.SV. SCREW		
23	431914010	MOTOR 24V 420RPM		



Pos	Part Number	Description	Validity	Notes
1	431055020	SPRING 2 RELEASE LOWER PISTON		
2	431153020	SPRING 1 RELEASE LOWER PISTON		
3	431025015	TERMINAL BODY PART		
4	431260000	RING WITH SCRAPER		
5	401397000	SCRAPER		
6	431023027	INSULATE TUBE		
7	431036020	CONTRAST SPRING LOWER PISTON		
8	966412010	LOWER GROUP PROTECTION		
9	537046300	KIT BUSH FOR MOVEMENT SCREW		
10	431034000	PAD PLATE		
11	580105600	BEARING		
12	944704030	PISTON ASS. W/BASE 44 STEPSEAL SP.PART	G:D44	
12	944705030	PISTON ASS. W/BASE 50 STEPSEAL SP.PART	G:D50	
13	431516030	GROUNDS KNOCKOUT LEVER		
14	931301000	GUIDE RELEASE COFFE PAD K/O LEVER		
15	431054010	PIVOT ROD KNOCKOUT		
16	431021020	CAM PIVOT		
17	431022010	CAM		
18	431020030	FIXING SUPPORT COFFEE PAD K/O LEVER		
19	429600000	SCREW M4X8 SS		
20	944087000F	D. 44 250 MICRON FILTER	G:D44	
20	944088000F	D.50 250 MICRON FILTER	G:D50	
22	944706020	PISTON ASS. 44 STEPSEAL SP.PART	G:D44	
22	944707020	PISTON ASS. 50 STEPSEAL SP.PART	G:D50	
23	402186010	OR 34.52X3.53 PLATIN. GASKET	G:D44	
23	402187010	OR-GASKET 39,69X3,53	G:D50	
24	402217000	GASKET 8,73X1,78 NF		
25	402245000	GASKET 50,47X2,62	G:D44	
25	402246000	O RING 55,25X2,62	G:D50	
26	936159045F	CHAMBER BASE Diam 44	G:D44	
	⇌ 936159035F	CHAMBER BASE D. 44	G:D44	
26	936175035F	CHAMBER BASE D.50	G:D50	
27	944708000	GASKET SCRABER KIT		
28	936161000	BRACKET FOR STEPSEAL ROD GUIDE		
29	936210000	PIPE FIXING		
30	532650800	UNION FOR DELIVERY 1/8		
31	220000021	TEFLON TUBE D 2,5X4		
32	220000052	POWER SUPPLY CABLE		

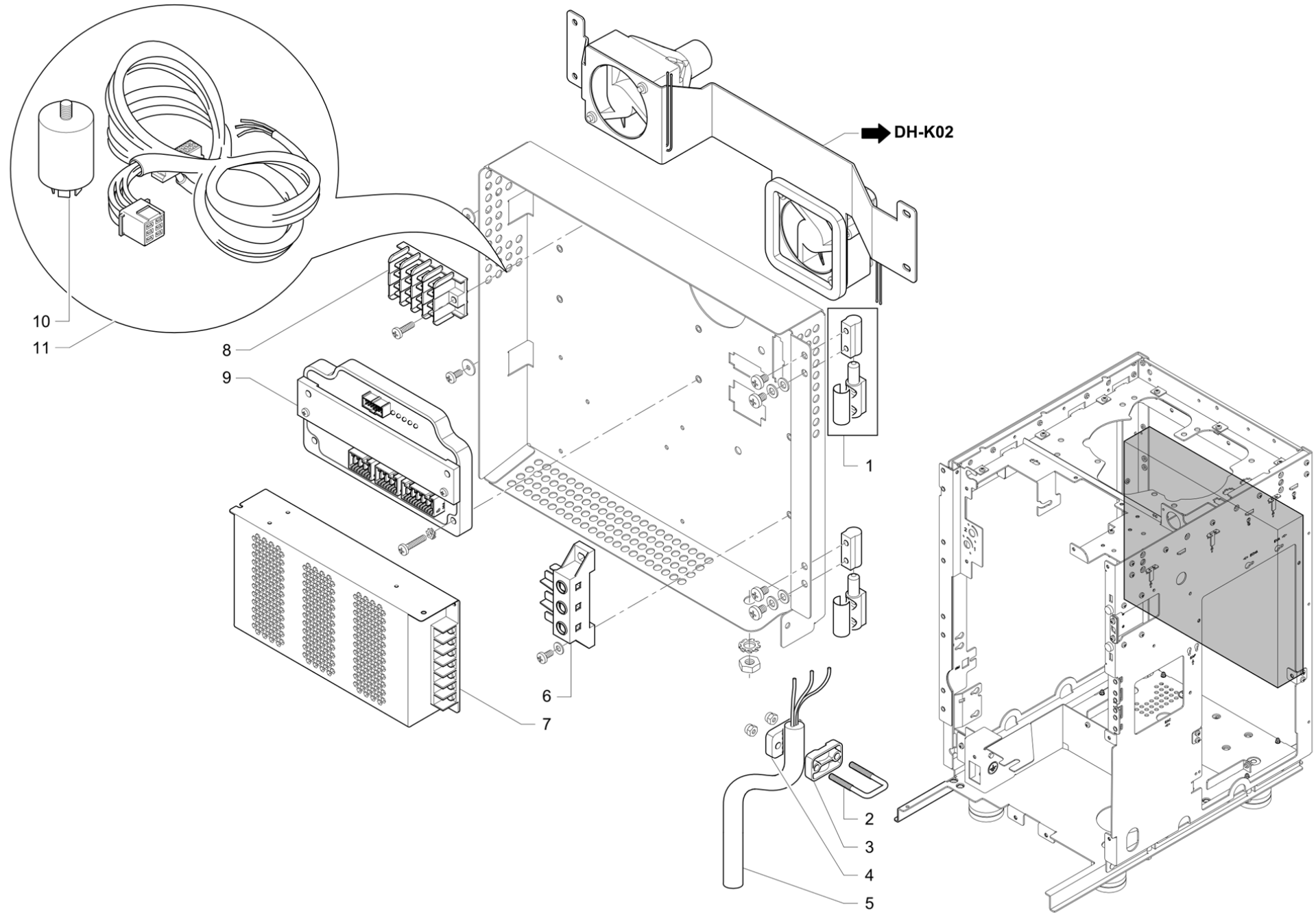


Pos	Part Number	Description	Validity	Notes
1	932027030	TILTER SPRING (REPLACES 932027020)		
2	523135120	SCREW AUTO.T.C.CR. 3,5X12		
3	532141400	CABLE SUPPORT		
4	431731010	PHOTOCELL WIRING ASS. L=360		
5	523104080	SCREW 4X8		
6	932012000	COLLAPSIBLE COFFEE PLUG SUPPORT		
7	932028010	TILT. MECH. PLUG		
8	932014040	TILTER PLATE		
9	537056100	DUCT KIT		
10	932013010	TILTER SUPPORT		
11	946204000	REAR PLATE SUPPORT		
12	532162200	CABLE FASTENER		
13	966408020	CONNECTOR SQUARE		
14	593820001	HEXAGONAL-HEAD SCREW		
15	946213000	UPPER GROUP PLATE		
16	976727000	CHAMBER CLOSURE PLATE		
17	946206000	CHECK VALVE FOR CHAMBER CLOSURE PLATE		
18	461054050	SPRING		
19	946232000	CHAMBER POSITION BRACKET		
20	966574000	CHAMBER D.44 WITH SLEEVE	G:D44	
20	966575000	CHAMBER D.50 WITH SLEEVE	G:D50	
21	966368010	COLLAR SCREW		
22	946212010	LOWER GROUP PLATE		
23	946263000	BOTTOM COFFEE GROUP FASTENING		
24	542908080	NUT M8		
25	946207010	ANGLE BRACKET FOR GROUP		
26	938064000	GROUP ROD WASHER		
27	946211010	UPPER SPOUT SUPPORT		
28	936142000	MAIN SHAFT CROMPLATED		
29	431173010	SHAFT GUIDE SPOUTS		
30	966484001	FIXING SPACER		
31	932011000	HANDLE		
32	537043920	COFFEE SLUICE-VALVE		

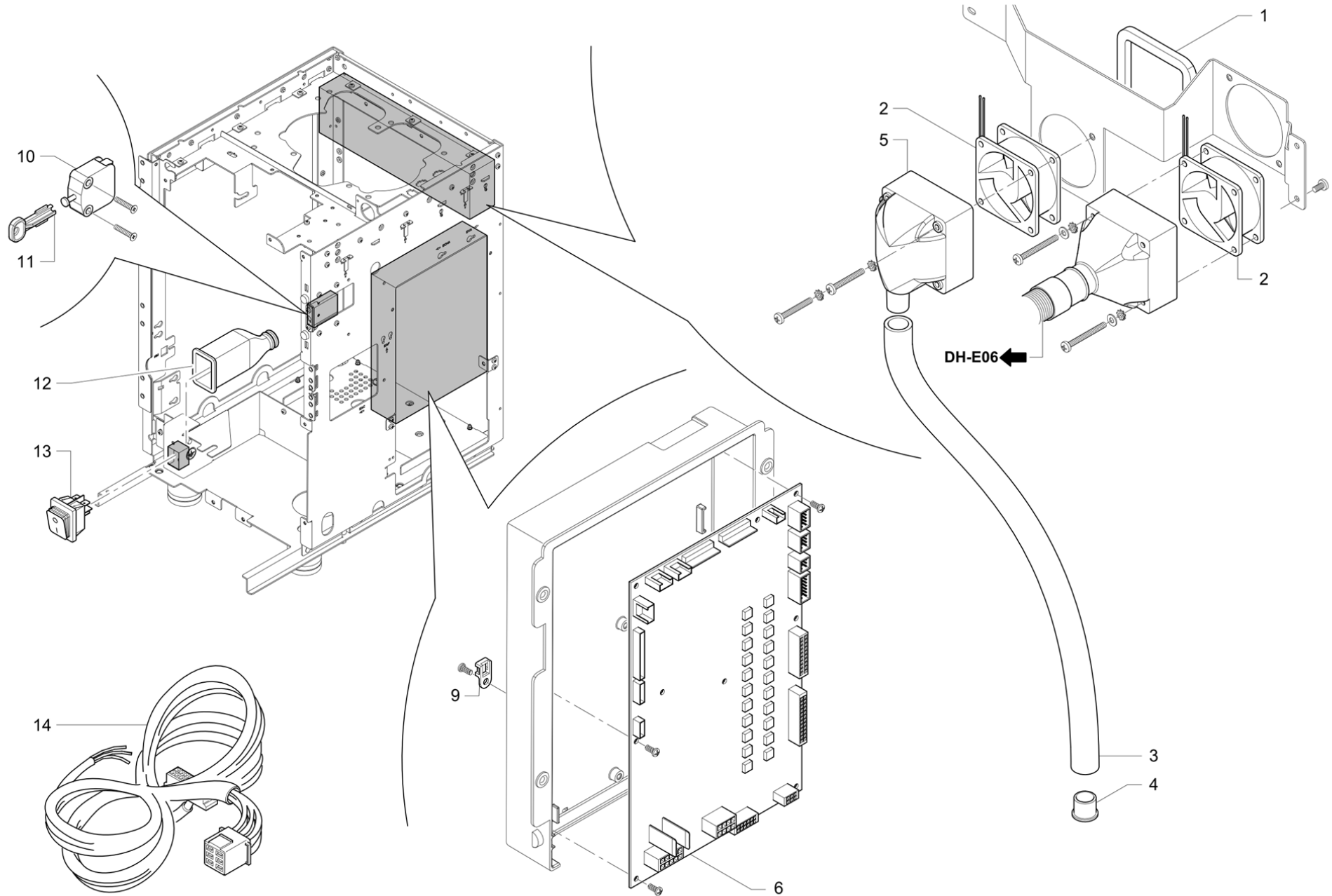


Pos	Part Number	Description	Validity	Notes
1	537057000	CAPACITOR 8 $\mu$ F		
2	536100500	MOTOR 208-240V 50/60HZ		
3	3251133418	RUBBER ANTIVIBRATION		
4	3251133417	RUBBER ANTIVIBRATION		
5	532800400	SHOCK ABSORBER 35280		
6	539000101	CLIPS M8		
7	981054000	PUMPING HEAD COUPLING		
8	3951130515	PIPE 3/8X 3/8 120 $\phi$ MM 2200		
8	532304300	PIPE 3/8 NF	N:NSF	
9	981153000	3/8GAS NIPPLE W/FILTER		
10	401183010	GASKET 22X17X1,5 INLET VALVE		
11	533180910F	CLAMP COUPLING 180L/H PUMP		
12	532662300F	ADJUSTABLE G3/8 M ELBOW CONNECTOR D8		
13	532656300	ELBOW CONNECTOR WITH QUICK COUPLING		
14	220000022	RISLAN PIPE 4X6		
15	966026000	TUBE BENDER		

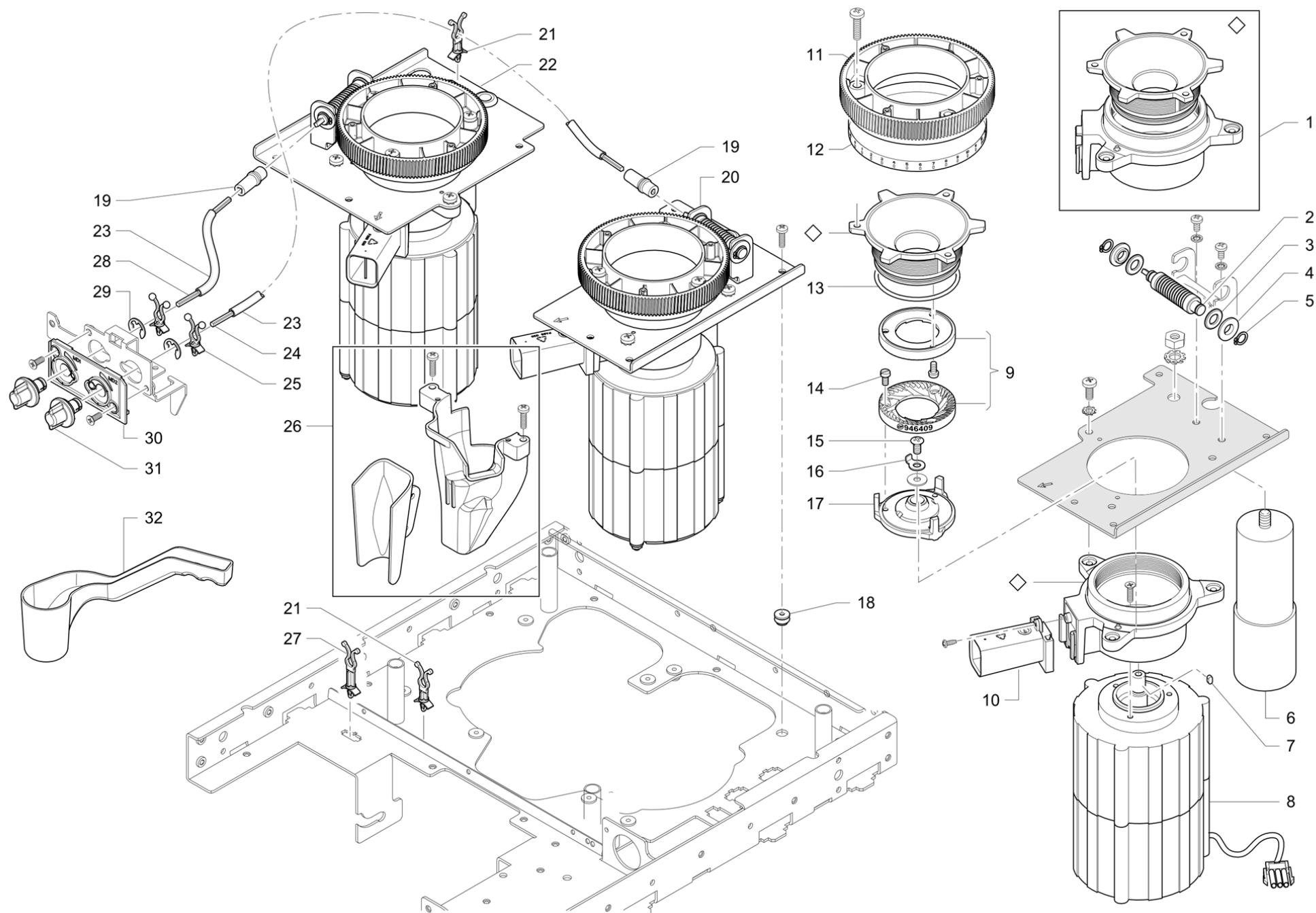




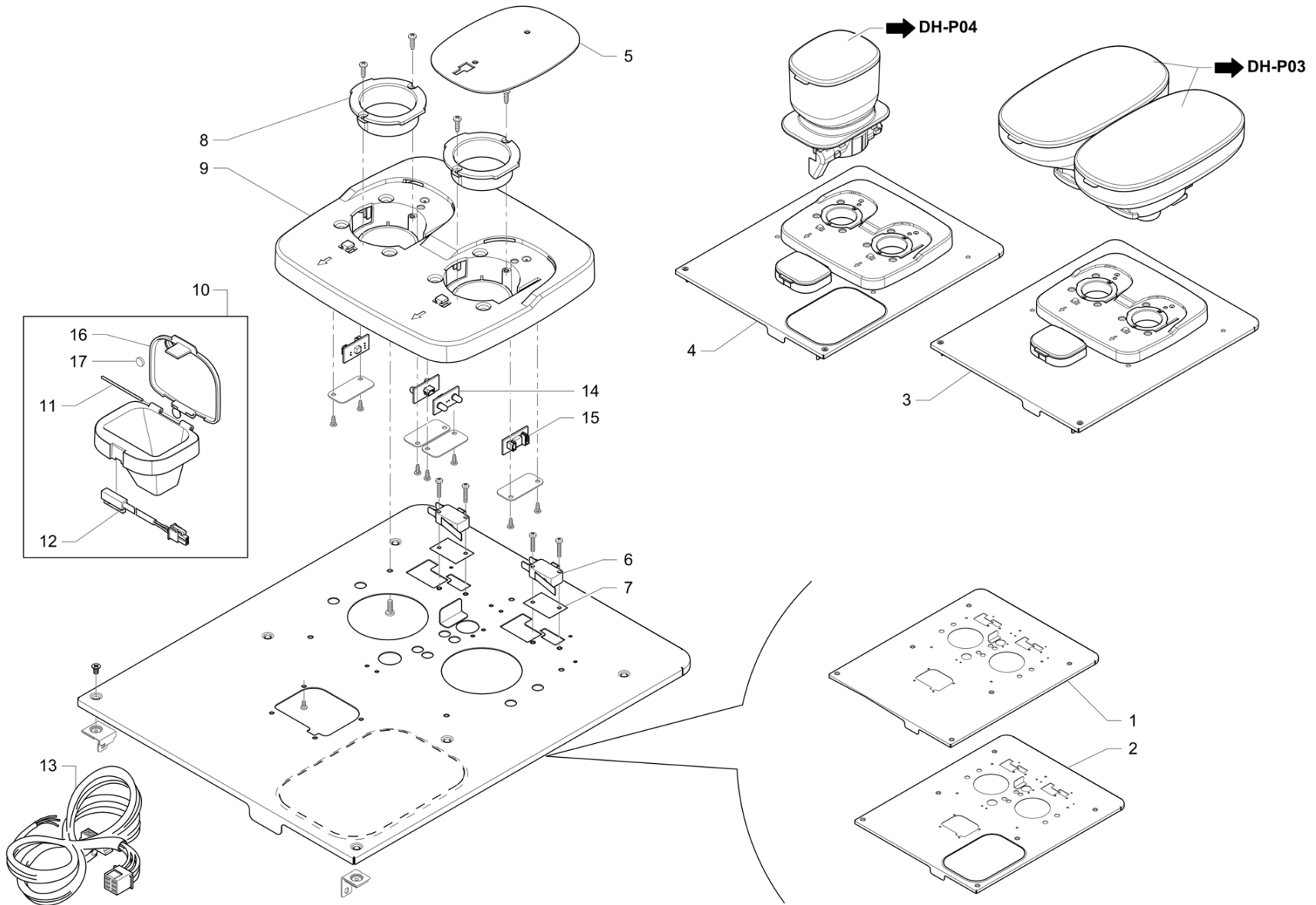
Pos	Part Number	Description	Validity	Notes
1	532735600	HINGE PROFILE		
2	532160200	FORK		
3	532160300	FIXED CABLE PRESS		
4	532160400	MOBILE CABLE PRESS		
5	530120600	SINGLE-PHASE SUPPLY CABLE 3x1.5 mm		
5	530119100	SUPPLY CABLE 3x1.5 L1830mm	N:KTL	
5	530112900	WIRE	N:UL	
5	530120500	3x1,5 mm POWER SUPPLY CABLE + CHINESE PL	N:CCC	
6	532128200	TERMINAL BOARD		
7	538114000	POWER SUPPLY		
8	535933000	Terminal board		
9	537060800	TRIAC BOARD S30		
10	531404200	PHASE FILTER 115/250V 50/60 Hz		
11	535973010	ELECTRICAL CIRCUIT		



Pos	Part Number	Description	Validity	Notes
1	981112000	FAN GASKET		
2	940410000	FAN 24V DC		
3	220000024	SILICONE PIPE D 15X21		
4	981114000	BASE VENTILATION BUSHING		
5	981109000	FAN AIR CONVEYOR		
6	966846020	CPU BOARD ASSY S30		
9	532141400	CABLE SUPPORT		
10	3341133478	SAFETY SWITCH		
11	946842000	SERVICE KIT		
12	946396000	DOOR SWITCH HOOD		
13	532024500	SWITCH		
13	532025400	GREEN TWO POLE SWITCH	N:KTL	
14	535974010	WIRING		

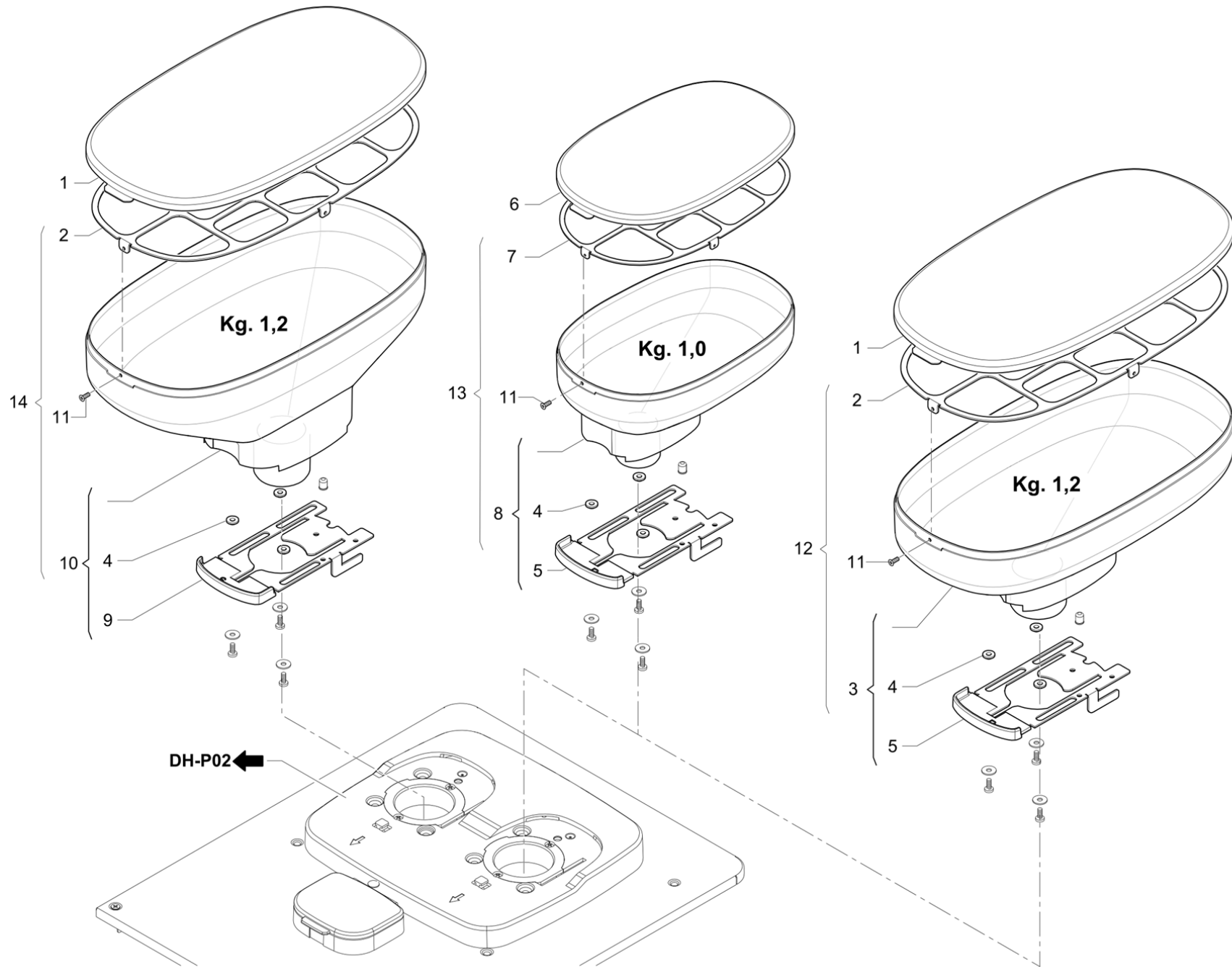


Pos	Part Number	Description	Validity	Notes
1	946700000	MOTOR HOLDER ASS.		
1	946700008	BODY AND RING NUT ASS. NSF	N:NSF	
2	981058020	GRINDER WORM SCREW		
3	971015010	CONIK BT AXIAL WASHER		
4	971016000	SLEEVE FOR MOTORISED CONIK		
5	568208080	RING 8 UNI S.S.		
6	531494200	CONDENSER 14mf MET. 416333929		
6	531494600	CONDENSER 18 µF	N:UL	
7	532744200	PIN		
8	966186010	UNIFIED MD MOTOR		
8	966187000	MD MOTOR US version (UL)	N:UL	
9	537057500	DUAL HOURLY GRINDER 54X8		
10	946502000	DUCT ASSEMBLY		
11	971011000	CONIK BT COGWHEEL		
12	981115000	ADHESIVE ADJUSTMENT LABEL		
13	402246000	O RING 55,25X2,62		
14	500004080	M4X8 SCREW UNI 6107 INOX		
15	944052000F	COUNTERSINK HEAD SCREW M5X10		
16	936318000	MIXER FOR GRINDER		
17	946008020	GRINDER HOLDER		
18	532803100	RUVEBLOC RUBBER M4X12,6		
19	981089000	ADAPTER FOR ADJUSTMENT CABLES		
20	981848000	RH GRINDER ASSEMBLY		
20	981895000	RH GRINDER ASS. UL	N:UL	
20	981957000	KOREA RH GRINDER (Doree)	N:KTL	
21	532168500	CABLE FASTENER		
22	981849000	LH GRINDER ASSEMBLY		
22	981896000	LH GRINDER ASS. UL	N:UL	
22	981956000	KOREA LH GRINDER (Doree)	N:KTL	
23	220000022	RISLAN PIPE 4X6		
24	981034010	FLEXIBLE SHAFT L455		
25	532168400	CABLE CLAMP		
26	537056100	DUCT KIT		
27	532177800	FERMAC		
28	981035010	FLEXIBLE SHAFT L215		
29	568808010	RING		
30	981063010	MD ADJUSTMENT HANDLE FACING		
31	981064010	MD ADJUSTMENT HANDLE		
32	946295000	WEIGHING SPOON		

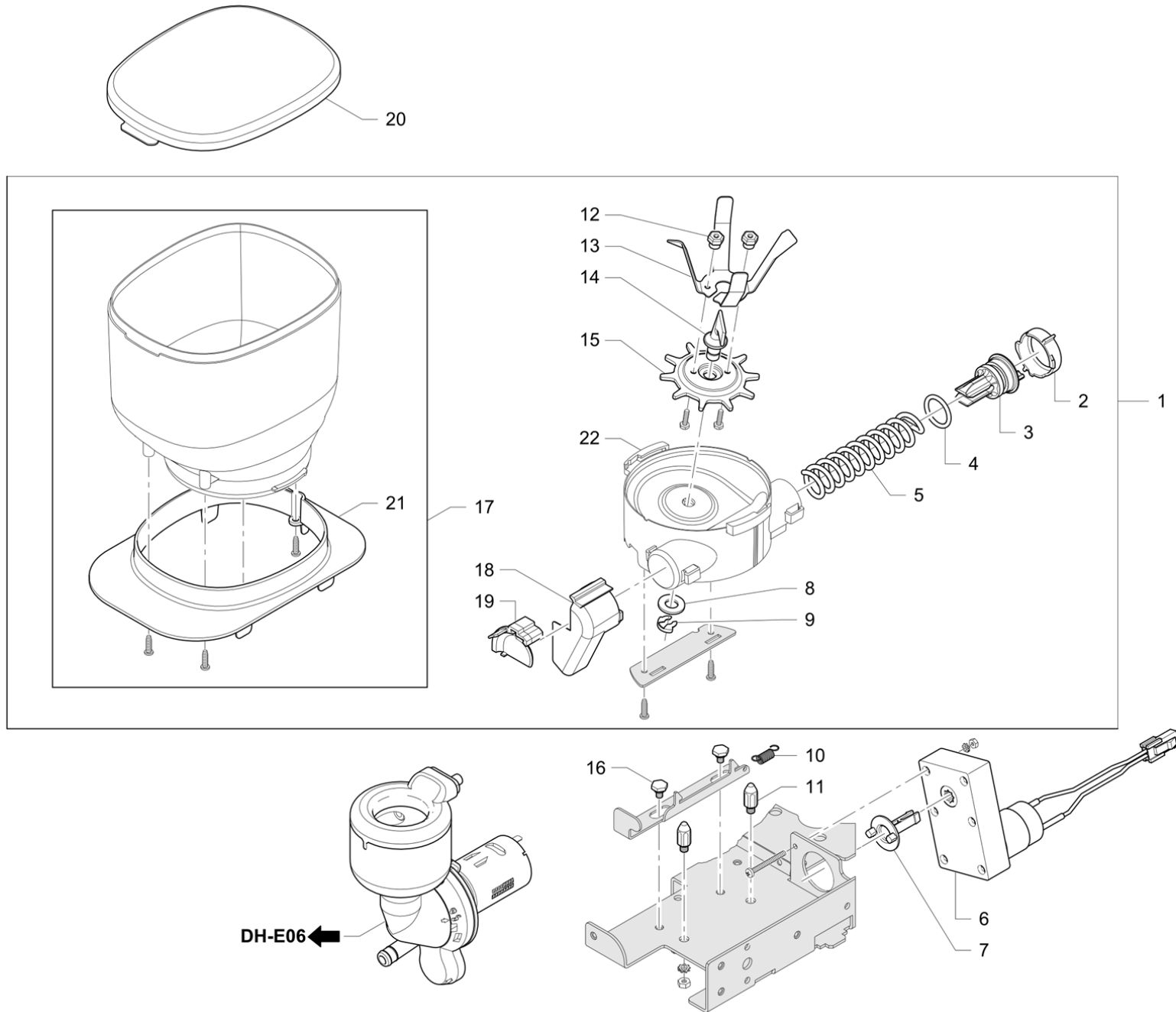


Pos	Part Number	Description	Validity	Notes
1	981504004	UPPER PLATE COFFEE		
2	981503004	UPPER PLATE OF COMPLETE ASSEMBLY		
3	981890000	TOP PANEL ASS. S-CP S20/X20		
3	981892000	TOP PANEL ASS. S-CP S20/X20 NSF	N:NSF	
4	981889000	COMPLETE TOP PANEL ASS. CS S20/X20		
4	981891000	TOP PANEL ASS. CS S20/X20 NSF	N:NSF	
5	946417000	CAP FOR GRINDER HOLE (RH)		
6	532024800	MICROSWITCH		
6	532025000	MICRO SWITCH 21A-250V	N:UL	
7	940253000	MICROSWITCH INSULATING		
8	966229000	COFFEE SENSOR GLASS		
9	966234000	DOUBLE COFFEE HOPPER BASE		
10	946814010	DECAFFEINATED CHUTE ASSEMBLY		
11	966452000F	DECAFFEINATED CHUTE HINGE SHAFT		
12	535947000	WASHING BASIN PRESENCE SENSOR S30		
13	535929020	COFFEE / DECAFFEINATED SENSOR		
14	535536018	PHOTOCELL TX		
15	535535008	HOPPER RECEIVING BOARD		
16	966451010F	DECAFFEINATED CHUTE COVER		
17	530602000	MAGNET		





Pos	Part Number	Description	Validity	Notes
1	981014000F	REVERSIBLE HOPPER COVER		
2	946557000F	HOPPER GRILLE		
	⇒ 946286000	ANTI-INTRUSION GRID 1		
3	946801000	RH 1.2 Kg HOPPER ASSEMBLY		
4	966227000	SHUTTER SLIDE BUSHING		
5	966578000F	RH HOPPER SHUTTER		
6	981015000F	SMALL COFFEE HOPPER COVER		
7	946558000F	HOPPER GRILLE		
	⇒ 946287000	ANTI-INTRUSION GRID 2		
8	946802000	RH 1 Kg HOPPER ASSEMBLY		
9	966579000F	LH HOPPER SHUTTER		
10	946800000	1.2 Kg HOPPER ASSEMBLY		
11	501703081	TSVTC SCREW M3X8 NYLON		
12	946924000	HOPPER ASS. Kg.1.2 RH. UL WITH GRILLE	N:NSF	
13	946955000	HOPPER ASS. Kg.1 UL WITH GRILLE	N:NSF	
14	946923000	HOPPER ASS. Kg.1.2 LH. UL WITH GRILLE	N:NSF	



DH-E06 ←

Pos	Part Number	Description	Validity	Notes
1	946803000	SOLUBLES HOPPER ASSEMBLY		
2	966181000	REAR FIXING CROWN		
3	966175000	SPIRAL PULLING PIN		
4	402215000	GASKET		
5	966174000	SOLUBLE DISPENSING SPRING - 9MM STEP		
6	530892410	STAR COUPLING GEARED MOTOR		
7	966176000	FORK PINION		
8	532715400	WASHER D. 8,4X17X1,6		
9	532745700	LOCKING RING		
10	966293000	TRACTION SPRING		
11	966178000	SOLUBLE CONTAINER CENTRING PIN		
12	940414000	NUT M3		
13	946047020	STAINLESS STEEL BLADES		
	⇒ 946047010	STAINLESS STEEL BLADES FOR SOLUBLES		
14	946048010	STIRRER PIN		
15	946046000	TOOTHED WHEEL FOR SOLUBLE MIXES		
16	966182020	HOOK SLIDE PIN		
	⇒ 966182010	HOOK SLIDE PIN WITH RUVECO		
17	946815000	SOLUBLES HOPPER W/ADAPTER		
18	966171000	PRODUCT EXIT SLIDE		
19	966172000	PRODUCT SLIDE CLOSING		
20	981016000F	SOLUBLE HOPPER COVER		
21	966242000	SOLUBLE HOPPER ADAPTER		
22	966170000	BASE		