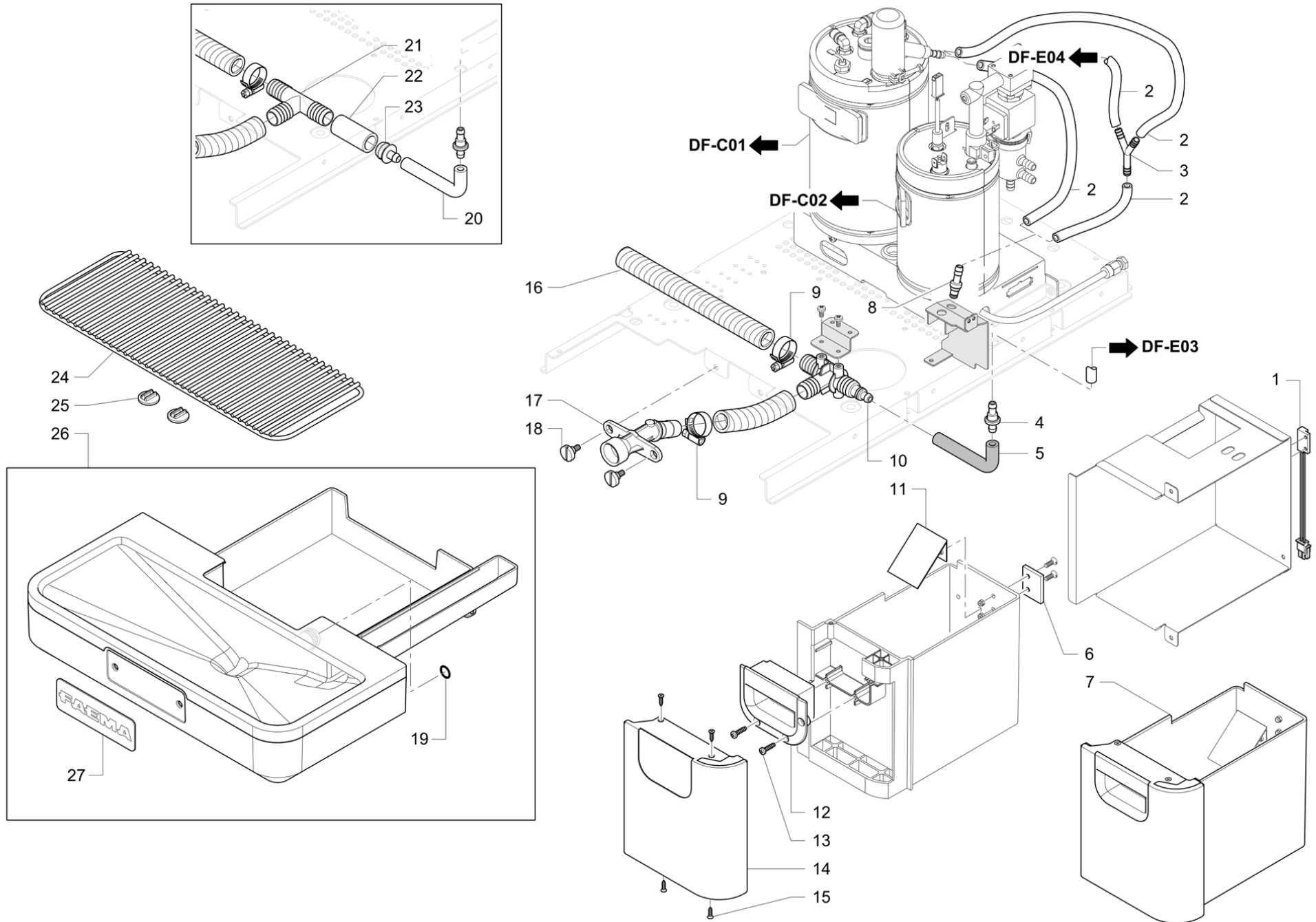


Pos	Part Number	Description	Validity	Notes
1	946820010	KIT "A" PPM X30 S30		
2	981901020	KIT "B" PPM X20/30 S20/30		
	⇔ 981901010	KIT "B" PPM S20/30		
3	946823010	KIT "C" PPM X30 S30		
4	946824020	KIT "D" PPM X30 S30		
5	946825020	44 mm S30 PPM "E" KIT	G:D44	
5	946834010	KIT "E" PPM X30 S30 44mm MF	G:D44 MF	
5	946830020	50 mm X30 S30 PPM "E" KIT	G:D50	
5	946835010	KIT "E" PPM X30 S30 50mm MF	G:D50 MF	
6	946826010	KIT "F" PPM X30 S30		
7	946829020	KIT "I" PPM X30 S30		
	⇔ 946829010	KIT "I" PPM S30		

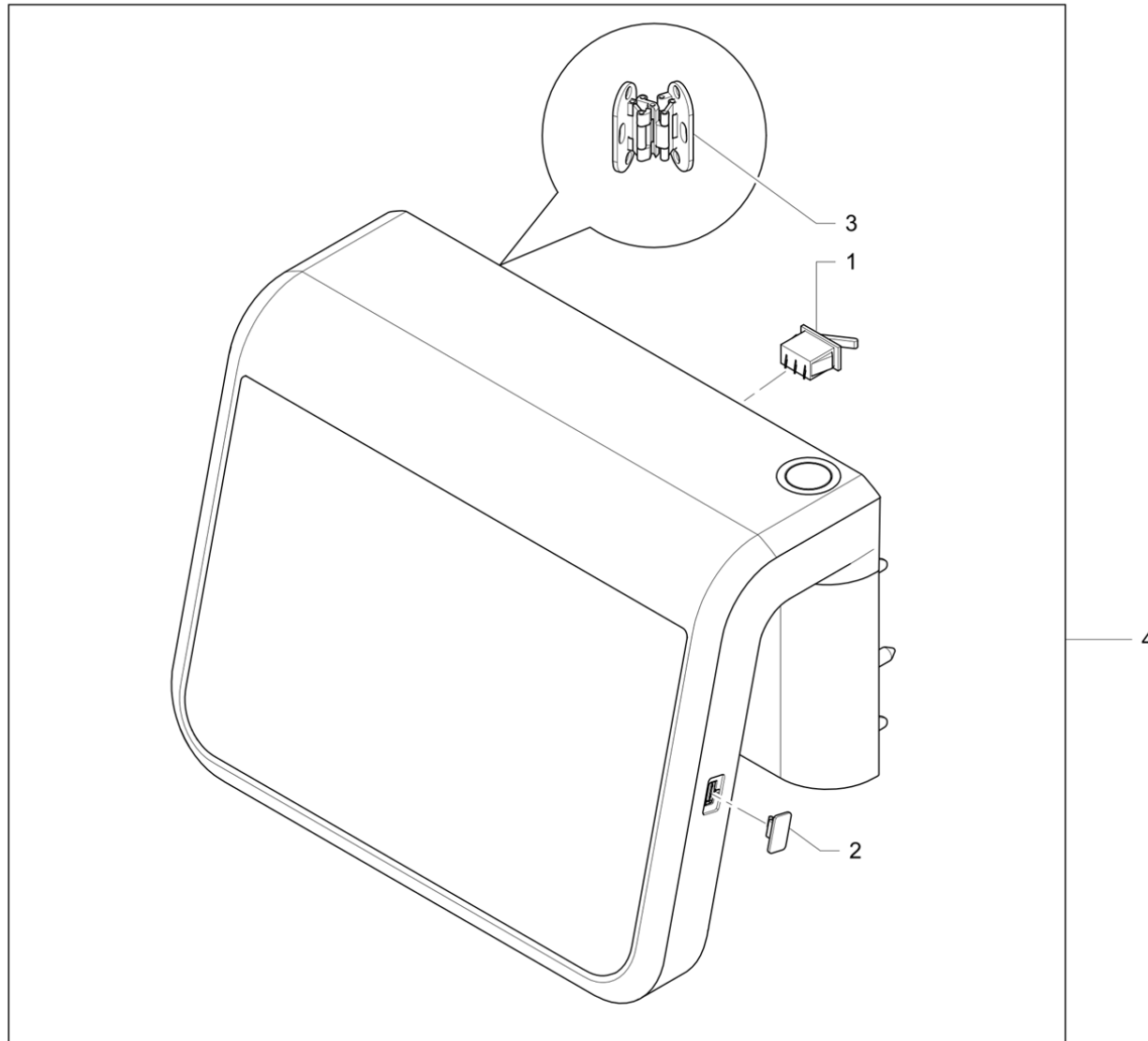




Pos	Part Number	Description	Validity	Notes
1	966123020	UPPER REAR PLASTIC FRAME		
2	966204010	BASIN WITH FAEMA LOGO		
3	946848000	REAR PANEL ASSEMBLY		
4	966121020	UPPER LEFT PLASTIC FRAME		
5	946981000	RH PANEL ASS. WITH HOLE		
6	966294000	SPACER		
7	966295010	PANEL FIXING SCREW		
8	532805500	NYLON/STAINLESS STEEL ADJ. FOOT H105/137	N:NSF	
9	532805000	ADJUSTABLE FOOT		
10	433145000	PIPE BRUSH D.35		
11	946807000	SIDE PANEL ASSEMBLY		
12	966086000	INTERNAL CASING		

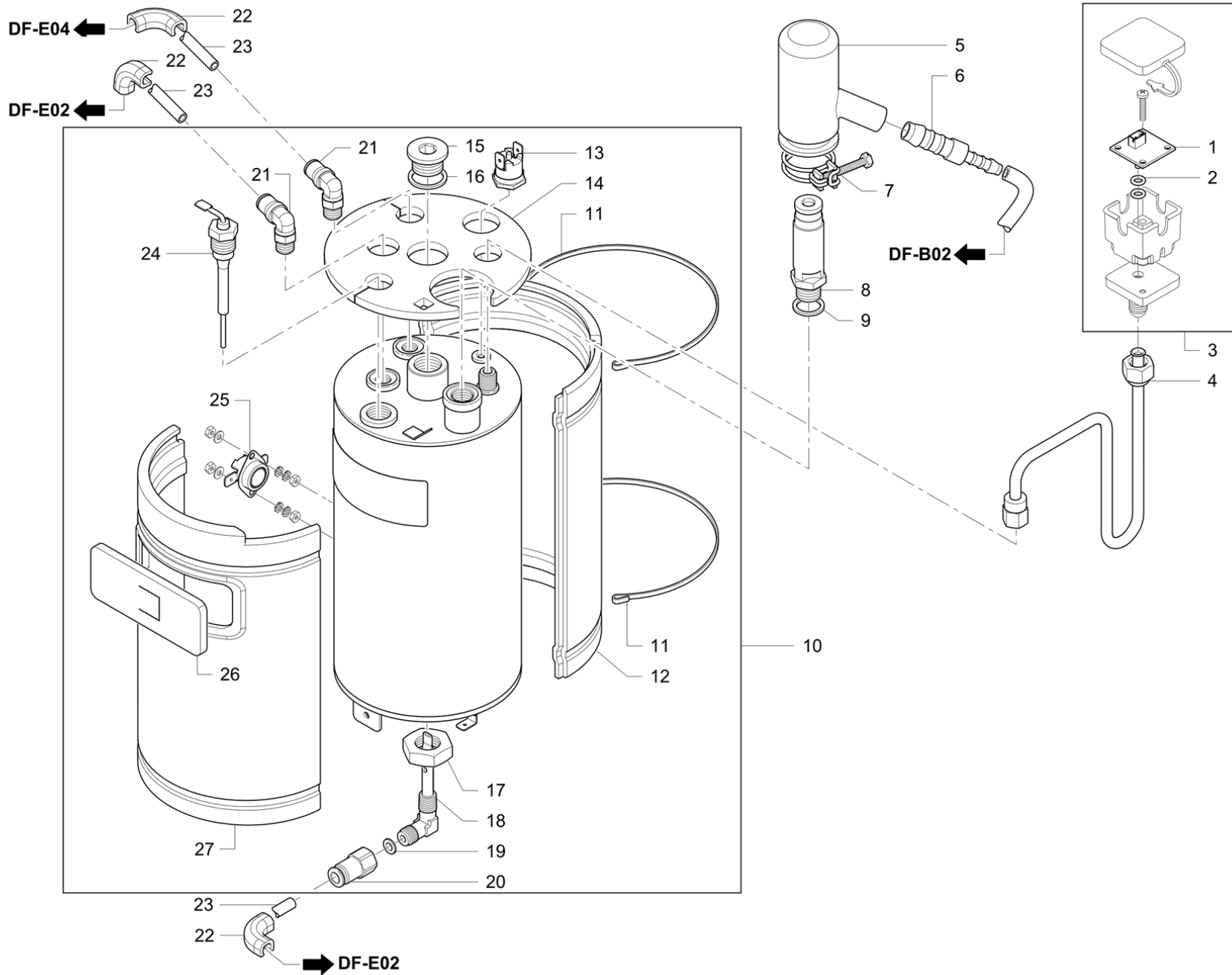


Pos	Part Number	Description	Validity	Notes
1	463726000	MAGNETIC CONTACT		
2	220000016	SILICONE PIPE D 6X10		
3	532302720	Y-UNION		
4	484381000	UNION		
5	220000059	7x13 Diam.TUBE		
6	410146000	MAGNETIC CONTACT		
7	946804000	BOTTOMS DRAWER ASSEMBLY		
8	916184010	1/8 GAS UNION		
9	613500396	CLIP 14-24		
10	946552000	LH DRAIN COUPLING WITH INSERTS		
11	946523000	COFFEE GROUNDS DEVIATOR WITH RIVETS		
12	966078010	COFFEE GROUNDS DRAWER HANDLE (black)		
13	523140120	SCREW T.C. 4X12 FOR PLASTIC		
14	966059010	COFFEE GROUNDS DRAWER LINING		
15	523103120	SCREW 3X12		
16	532302500	DRAIN PIPE		
17	916252000	SERIE1 DRAIN UNION		
18	916256000	SCREW M5		
19	401347000	O-RING VITON 15,54X2,62		
20	220000055	TUBE Diam. 6x10		
21	532304000	UNION		
22	220000024	SILICONE PIPE D 15X21		
23	936299000	DOUBLE RUBBER HOLDER D8 D16		
24	966220010	BASIN GRILLE		
	⇌ 966220000	BASIN GRILLE		
25	966153000	CUP POSITION INDICATOR		
26	946849000	CUP HOLDER BASIN ASSEMBLY		
27	966204010	BASIN WITH FAEMA LOGO		

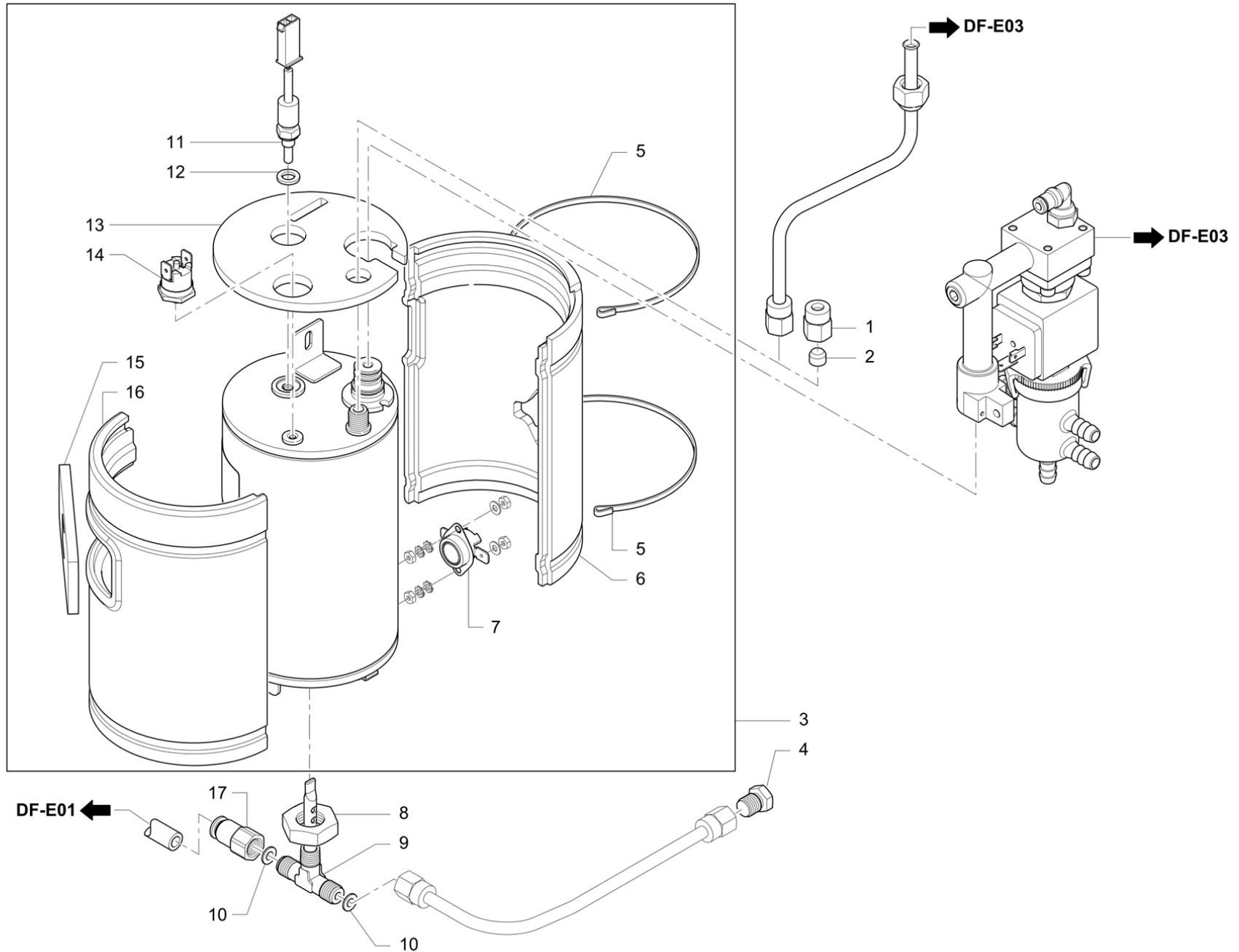


Pos	Part Number	Description	Validity	Notes
1	532022708	MICROSWITCH		
2	966106000	USB RUBBER CLOSURE WASHER		
3	966301000	HINGE		
4	966840010	COMMAND PANEL	M:JP	
	⇌ 966897000	COMMAND PANEL ASSEMBLY JPN	M:JP	
4	966840010	COMMAND PANEL		
	⇌ 966840000	COMMAND PANEL ASSEMBLY WITH SP. PARTS		

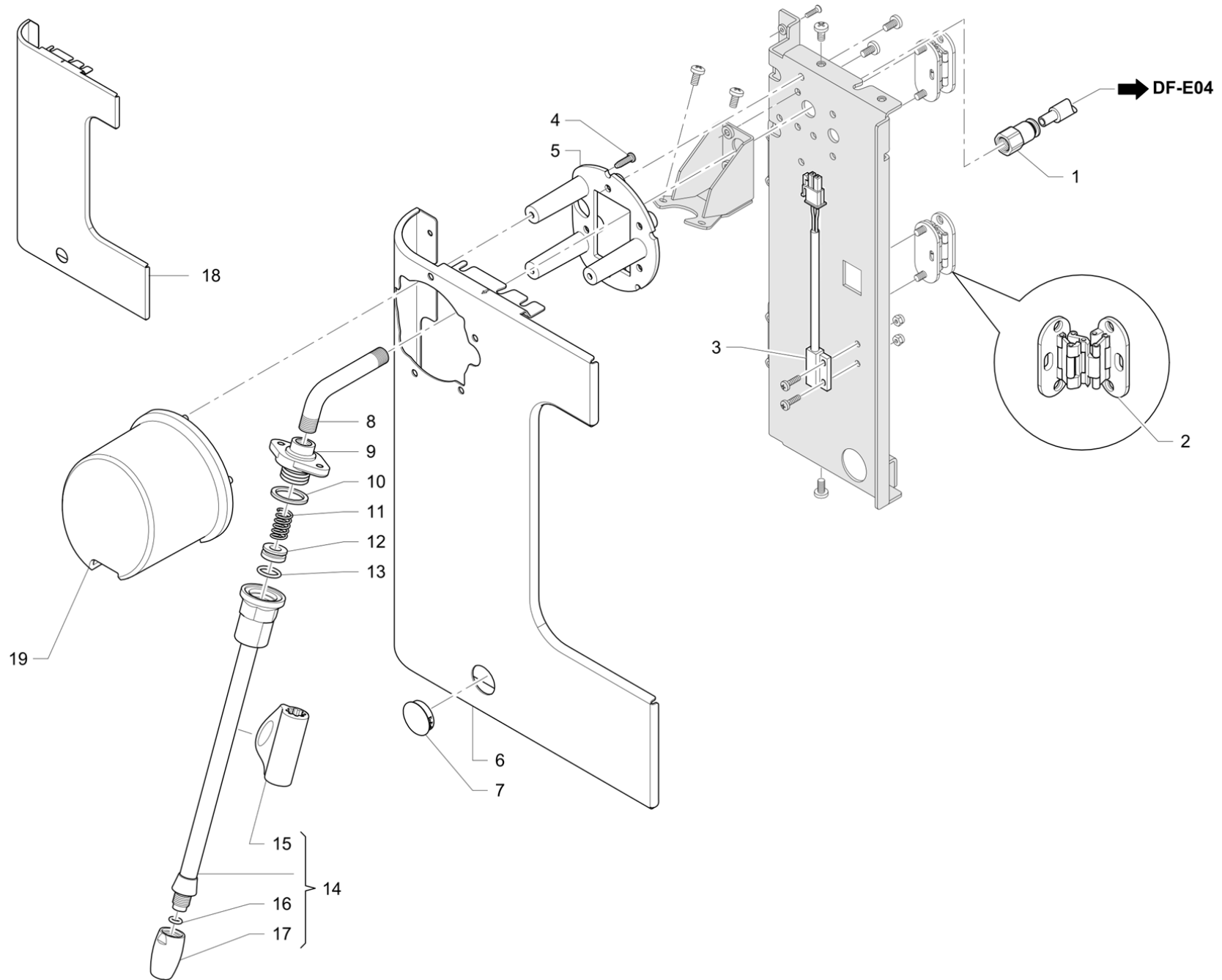




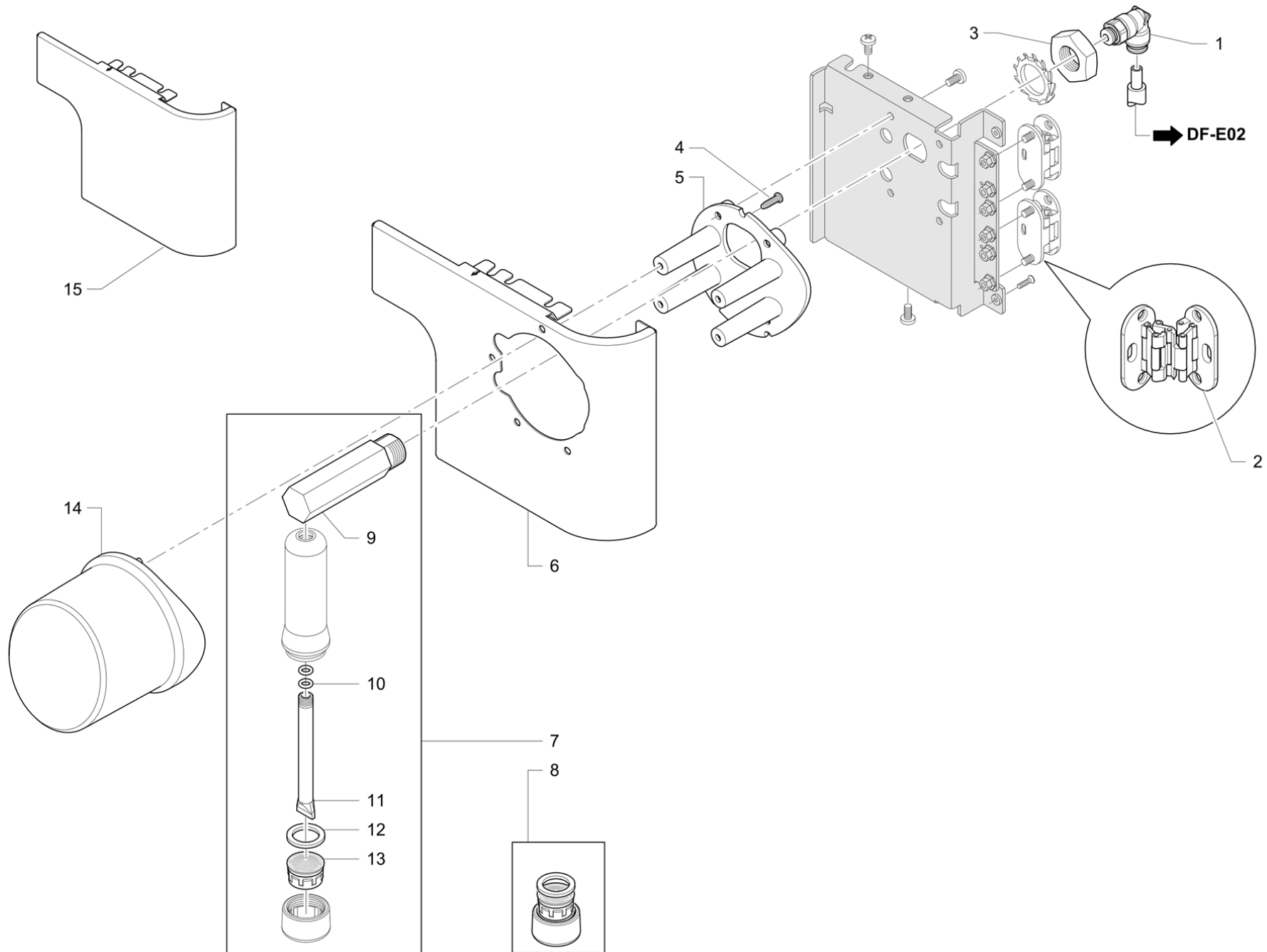
Pos	Part Number	Description	Validity	Notes
1	537046900	PRESSURE SENSOR KIT		
2	401368000	GASKET 2,90X1,78		
3	916549010	PRESSURE SENSOR ASSEMBLE		
4	966513000	PRESSURE SENSOR TUBE ASSEMBLY		
4	966513008	PRESSURE SENSOR TUBE ASSEMBLY	N:NSF	
5	966492000	SAFETY VALVE PROTECTION		
6	532600700	HOSE ADAPTOR		
7	532746200	CABLE TIE-RAPS WITH SCREW		
8	532392700	SAFETY VALVE 2,3 1/4G		
9	402302000	GASKET 17X13,2X1X5		
10	966841000	BOILER ASSY S30		
11	966438000	BOILER SHELL LOCKING CLAMP		
12	966013020	BOILER INSULATION		
13	531196500	CERAMIC THERMOSTAT 145°C		
13	531197300	CERAMIC THERMOSTAT 145°C	N:KTL	
14	966436000	SOFT INSULATING COVER		
15	457347010	3/8 GAS EXAGONAL INOX CAP		
16	401215000	COPPER GASKET		
17	542114080	NUT M16X1.5 LOW UNI 5589 ST. STEEL		
18	966011008	BOILER DIFFUSER CONNECTOR		
19	402270000	BRASS GASKET S05-5-1/8		
20	532656500	STRAIGHT CONNECTOR D.61/8 F		
21	532658700F	90 COUPLING 930X4M-6F-1/8		
22	966026000	TUBE BENDER		
23	220000022	RISLAN PIPE 4X6		
24	946810000	LEVEL PROBE ASSEMBLY		
25	531197200	CERAMIC THERMOSTAT 140°C	N:KTL	
25	531196400	CERAMIC THERMOSTAT 140°C		
26	966437000	DATA PLATE CAP		
27	966012020	BOILER INSULATION		



Pos	Part Number	Description	Validity	Notes
1	555000010	COVER		
2	592029000R	PIPE UNION BLIND		
3	966842000	BOILER ASSY S30		
4	940077000	SCREW -1/8		
5	966439000	BOILER SHELL LOCKING CLAMP		
6	966014020	BOILER INSULATOR		
7	531197200	CERAMIC THERMOSTAT 140°C	N:KTL	
7	531196400	CERAMIC THERMOSTAT 140°C		
8	542114080	NUT M16X1.5 LOW UNI 5589 ST. STEEL		
9	940072008	REFILLING COFFEE BOILER INJECTOR TUBE		
10	402270000	BRASS GASKET S05-5-1/8		
11	531194810	COFFEE BOILER PROBE		
12	401235020	GASKET 11X6,5X1,5		
13	966435000	SOFT INSULATING COVER		
14	531196500	CERAMIC THERMOSTAT 145°C		
14	531197300	CERAMIC THERMOSTAT 145°C	N:KTL	
15	966437000	DATA PLATE CAP		
16	966015020	BOILER INSULATOR		
17	532656500	STRAIGHT CONNECTOR D.61/8 F		

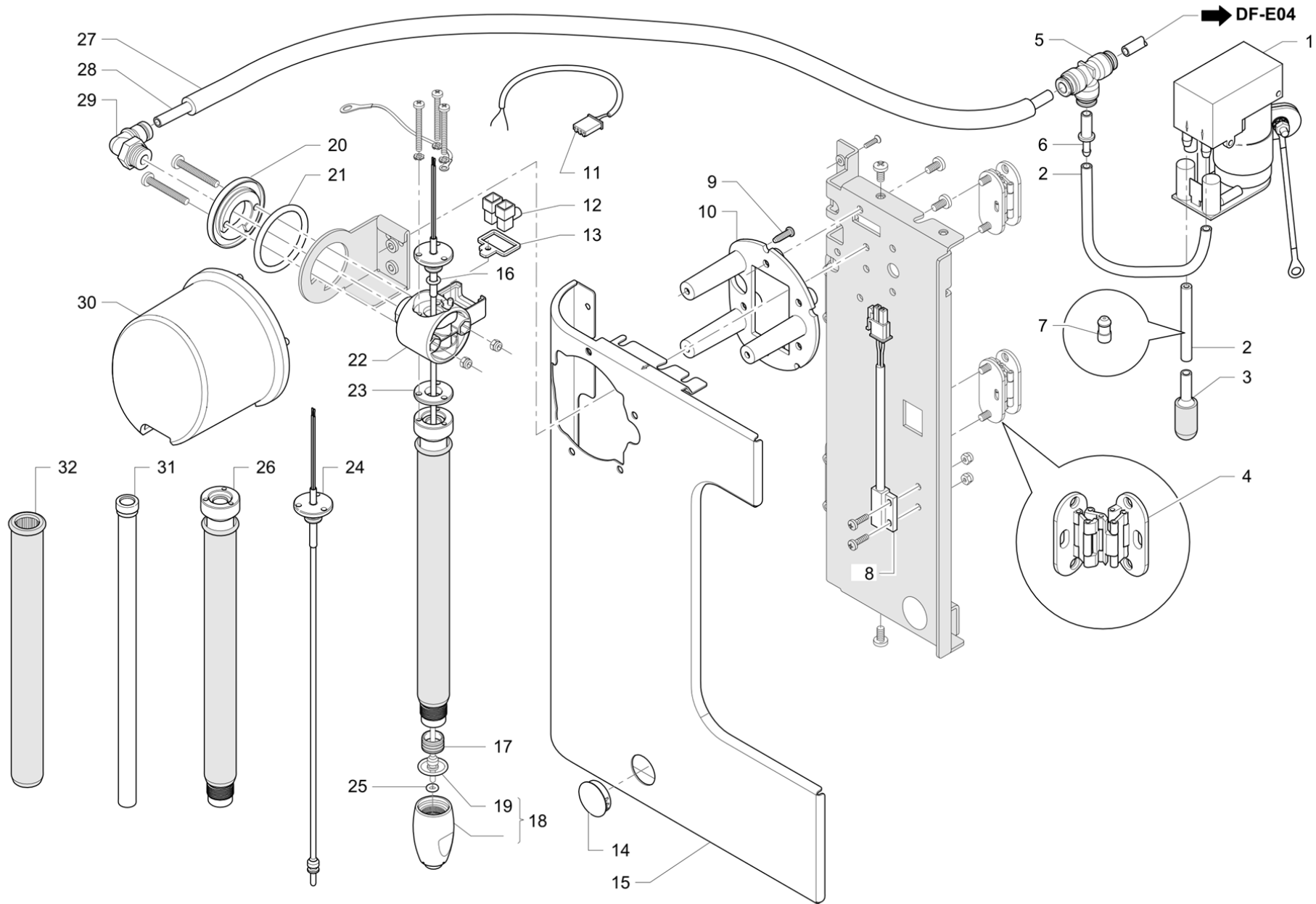


Pos	Part Number	Description	Validity	Notes
1	532656500	STRAIGHT CONNECTOR D.61/8 F		
2	966301000	HINGE		
3	535947000	WASHING BASIN PRESENCE SENSOR S30		
4	523135120	SCREW AUTO.T.C.CR. 3,5X12		
5	966515000	STEAM CASING RESTRAINT		
6	966053010	STEAM PANEL		
7	532727800	LOW CAP		
8	966290000	STEAM WAND TUBE		
9	484016048	CONNECTOR FOR DISPENSER		
10	401183010	GASKET 22X17X1,5 INLET VALVE		
11	485061010	STAIN LESS STEEL SPRING		
12	485078010	GASKET		
13	401204000	GASKET		
14	985758000	STEAM TUBE ASSEMBLY WITH BULB		
15	927132010	MANIFOLD		
16	402223000	O-RING 7,65X1,78 TS PROBE		
17	913438000	STEAM NOZZLE		
18	946259000	PANEL WITHOUT STEAM		
19	966045010	STEAM CASING		

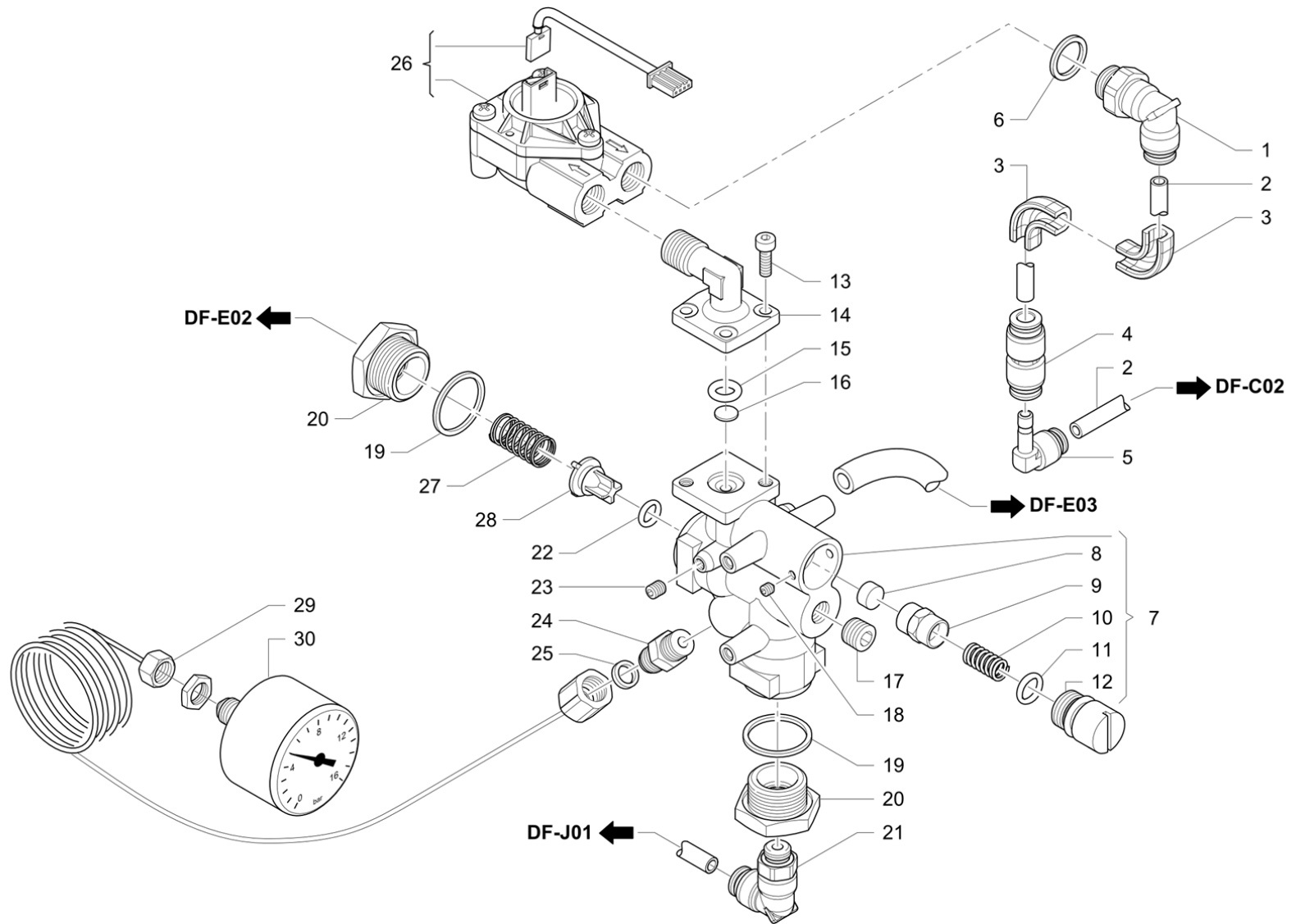


Pos	Part Number	Description	Validity	Notes
1	532656000	G1/8 M RUBB.CONN.		
2	966301000	HINGE		
3	532738700	NUT		
4	523135120	SCREW AUTO.T.C.CR. 3,5X12		
5	966516000	WATER CASING RESTRAINT		
6	966050010	WATER PANEL		
7	946811000	WATER DISPENSER ASSEMBLY		
8	985716020F	M22X1 JET BREAKER		
9	966287000	EXPANDABLE WATER DISPENSER CONNECTOR		
10	402318000	OR SEAL 7.65X1.78 NBR		
11	966289000	EXPANDABLE WATER DISPENSING TUBE		
12	402320000F	21X15X2 NSF SEAL		
13	532305000	FILTER		
14	966046000	WATER CASING		
15	946398000	RH FRONT PANEL		

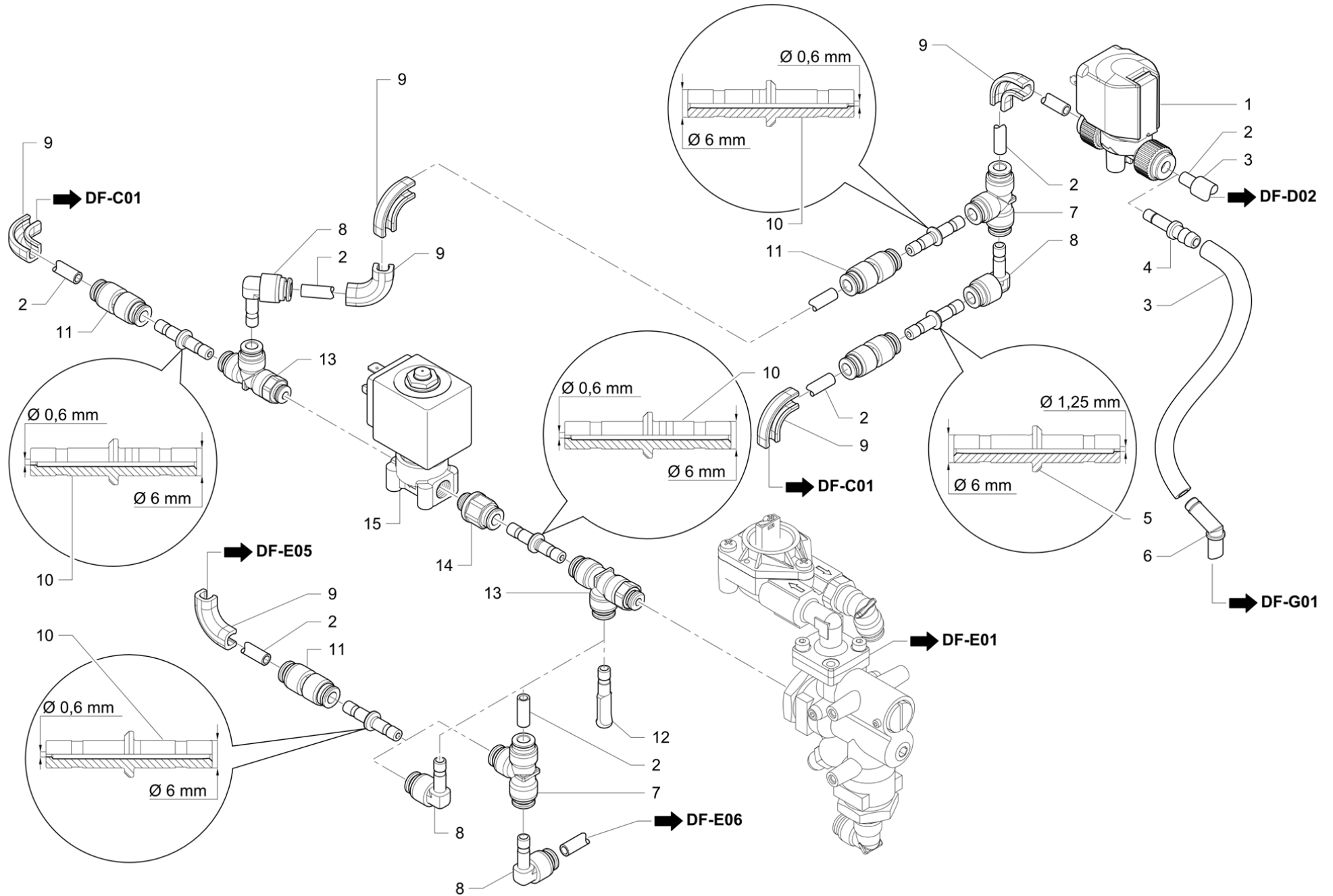




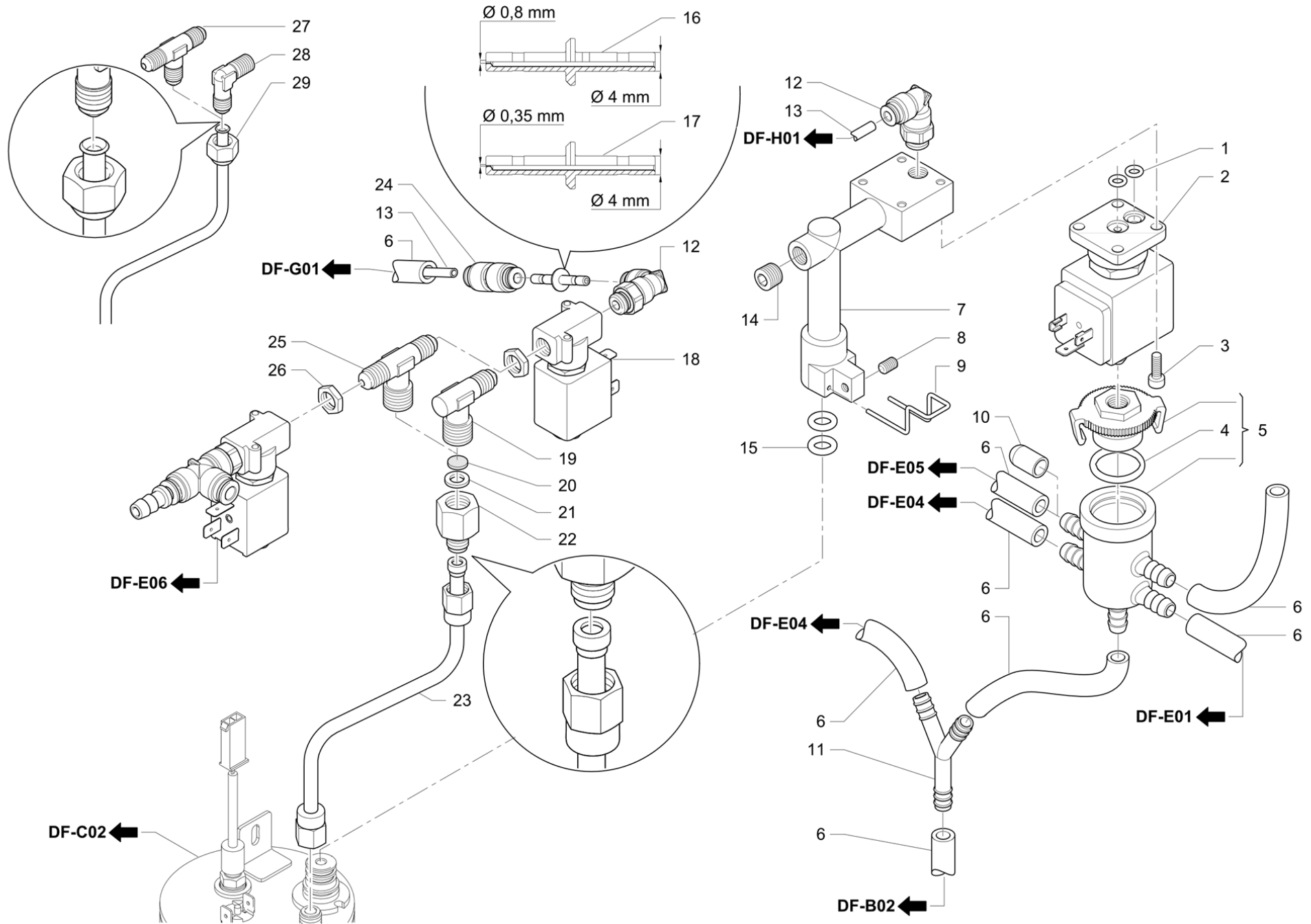
Pos	Part Number	Description	Validity	Notes
1	938898000	12 V COMPRESSOR KIT		
2	220000013	SILICONE PIPE D 3X6		
3	534600300	SILENCER		
4	966301000	HINGE		
5	532656700	T-SHAPED CONNECTOR		
6	934316000	§6 FAST UNION FOR PIPE 3X6		
7	956136010	COMPRESSOR NOZZLE DIAM. 0.35		
8	535947000	WASHING BASIN PRESENCE SENSOR S30		
9	523135120	SCREW AUTO.T.C.CR. 3,5X12		
10	966515000	STEAM CASING RESTRAINT		
11	966356000	S30 SHIELDED CABLE ASSEMBLY		
12	532149500	TERMINAL		
13	485291000	CLAMP		
14	532727800	LOW CAP		
15	966053010	STEAM PANEL		
16	402223000	O-RING 7,65X1,78 TS PROBE		
17	495331000	LOWER SEAL FLANGE		
18	985757000	BULB TERMINAL ASSY TSCT SP.PARTS		
19	402218000	GASKET 14X1.78 NF		
20	485289000	ROLLER		
21	402186010	OR 34.52X3.53 PLATIN. GASKET		
22	485296030	UPGRADE JOINT		
23	495334010	TUBE UPPER SEAL FLANGE 10		
24	985512000	TSCT AVERAGE THERMOCOUPLE ASSEMBLY		
25	402250000	GASKET 3,68 X 1,78 INTERMEDIATE TS		
26	985510020F	TSCT TUBE ASSEMBLY - AVERAGE		
	⇌ 985510010F	TSCT TUBE ASSEMBLY - AVERAGE		
27	220000029	SILICONE PIPE D 7X11		
28	220000022	RISLAN PIPE 4X6		
29	532654100	FITTING 6G 1/4		
30	966045010	STEAM CASING		
31	985506010F	TSCT COAXIAL TUBE ASSEMBLY 10 - AVERAGE		
32	495337000	EXTERNAL PROTECTION		



Pos	Part Number	Description	Validity	Notes
1	532656100	G1/4 M RUBB.CONN.		
2	220000022	RISLAN PIPE 4X6		
3	966026000	TUBE BENDER		
4	532657700	STRAIGHT CONNECTOR D6		
5	532657100	ELBOW CONNECTOR WITH QUICK COUPLING		
6	402302000	GASKET 17X13,2X1X5		
7	944881000F	VALVE BODY WITH CALIBRATED VALVE		
8	402203000	GASKET BLIND NF		
9	415020000	GASKET HOLDER		
10	415004000	STAINLESS STEEL SPRING		
11	402219000	O-RING 10,78X2,62 NF		
12	415019010	EXPANSION VALVE ADJUSTING SCREW		
13	511804120	S.S. M4X12 VTCE SCREW		
14	946302008	CONNECTOR FOR VALVE BODY 1/4 CONICAL		
15	402195000	O-RING 9,25X1,78 NF		
16	481361000	FILTER WITH HOLDER 9X1.5 INOX		
17	532501300R	SCREW SO-40371-1/8		
18	512904050	S.S. M4X5 SCREW		
19	400335010	GASKET 21X24,5X1,5		
20	419083000	CAP EXPANSION		
21	532656000	G1/8 M RUBB.CONN.		
22	402220000	O-RING 9,13X2,62		
23	512605060	SCREW		
24	532501800R	FITTING 1/8 X 1/8		
25	401196010	GASKET 8,5X4,5X1,5		
26	534393100	FLOWMETER WITH ADAPTOR		
27	418014000	SPRING FOR VALVE		
28	418012028	SHORT VALVE		
29	3951133673	TUBE FOR GAUGE		
30	3781133399	PUMP GAUGE		

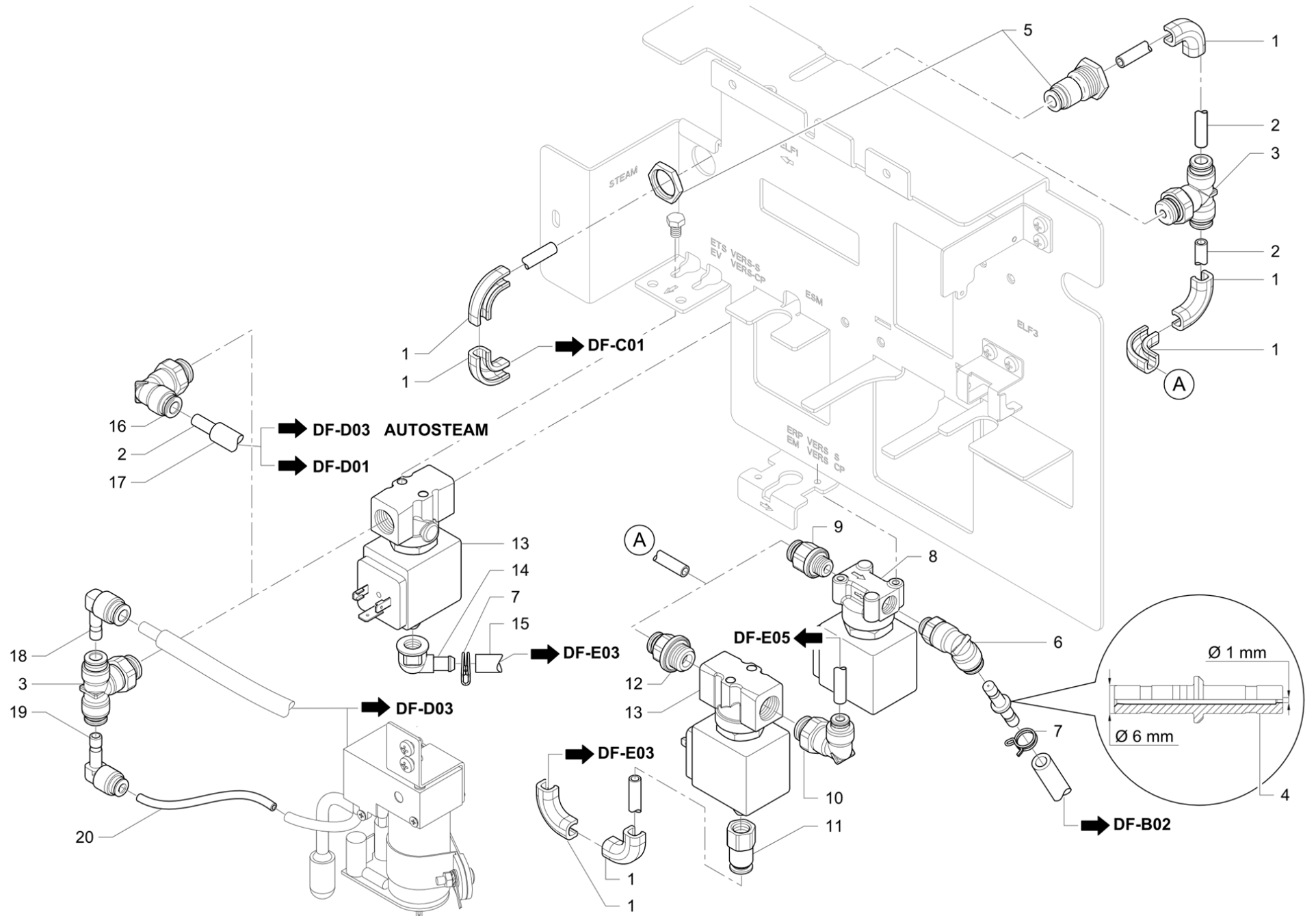


Pos	Part Number	Description	Validity	Notes
1	533902600	2-WAY SOLENOID VALVE THREADED COUPLINGS		
2	220000022	RISLAN PIPE 4X6		
3	220000016	SILICONE PIPE D 6X10		
4	940224000	HOSE ADAPTOR FOR QUICK CONNECTION		
5	946279000	nozzle Diam. 1.25mm		
6	940168000	ONE WAY SPOUT		
7	532656700	T-SHAPED CONNECTOR		
8	532657100	ELBOW CONNECTOR WITH QUICK COUPLING		
9	966026000	TUBE BENDER		
10	966432000	NOZZLE Diam. 0.6mm		
11	532657700	STRAIGHT CONNECTOR D6		
12	532658400	CLOSING DIAM.6		
13	532656800	D.6-G1/8 M VERT. T.CONN.		
14	532655700	STRAIGHT CONNECTOR G1/8 M		
15	533896600R	SOLENOID VALVE 24V DC		

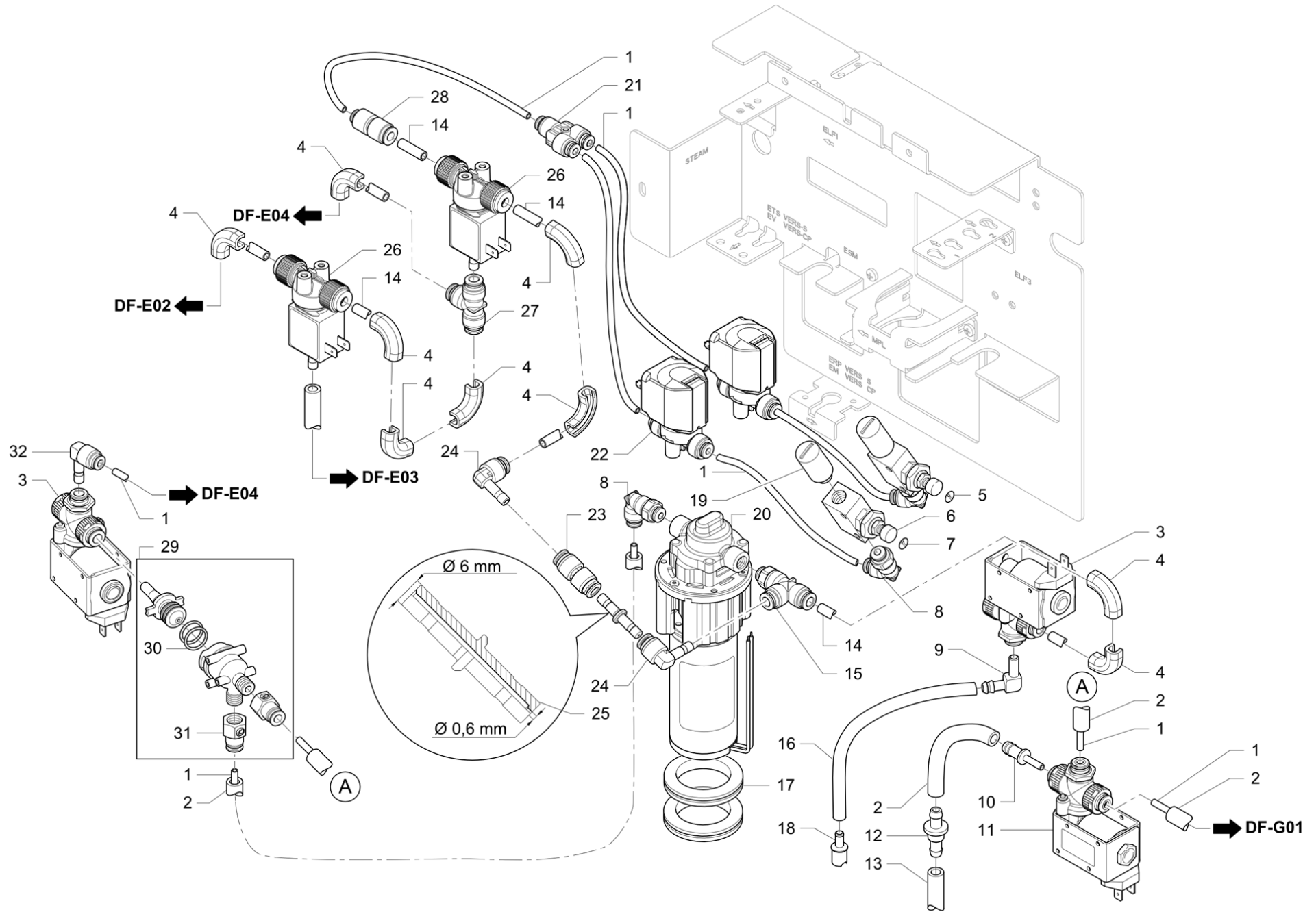


Pos	Part Number	Description	Validity	Notes
1	530501200	OR 2025		
2	533896500R	SOLENOID VALVE 24V DC		
3	511804120	S.S. M4X12 VTCE SCREW		
4	402228000	O-RING 18,72X2,62		
5	916537010	EXPANSION TANK ASS.		
6	220000016	SILICONE PIPE D 6X10		
7	966518000	SOLENOID VALVE BLOCK ASSEMBLY "G"		
8	4001042313	GRUB SCREW M5X8		
9	966458000	SOLENOID VALVE BLOCK LOCKING CLAMP "G"		
10	532740610	CAP		
11	532302720	Y-UNION		
12	532655900	G1/8 M RUBB.CONN.		
13	220000021	TEFLON TUBE D 2,5X4		
14	532501300R	SCREW SO-40371-1/8		
15	402209000	O-RING GASKET 10,82X1,78 NF		
16	946278000	NOZZLE Diam. 0.8mm		
17	966430000	NOZZLE Diam. 0.35mm		
18	533897800	SOLENOID VALVE 24V DC		
19	946377008F	ELBOW CONNECTOR		
20	481361000	FILTER WITH HOLDER 9X1.5 INOX		
21	946449010F	GASKET Diam. 10.2x6 Th. 3mm		
22	532502918F	CONNECTOR		
23	966549028	SOLENOID VALVE TUBE ASSEMBLY		
24	532657800	STRAIGHT CONNECTOR D4		
25	946376008F	"T" CONNECTOR		
26	590133000	COUNTER NUT 1/8		
27	949004008	T INTERMEDIATE -1/8 ENV		
28	952108008	KNEE 1/8 1/8 RUV		
29	966549018	SOLENOID VALVE TUBE ASSEMBLY		

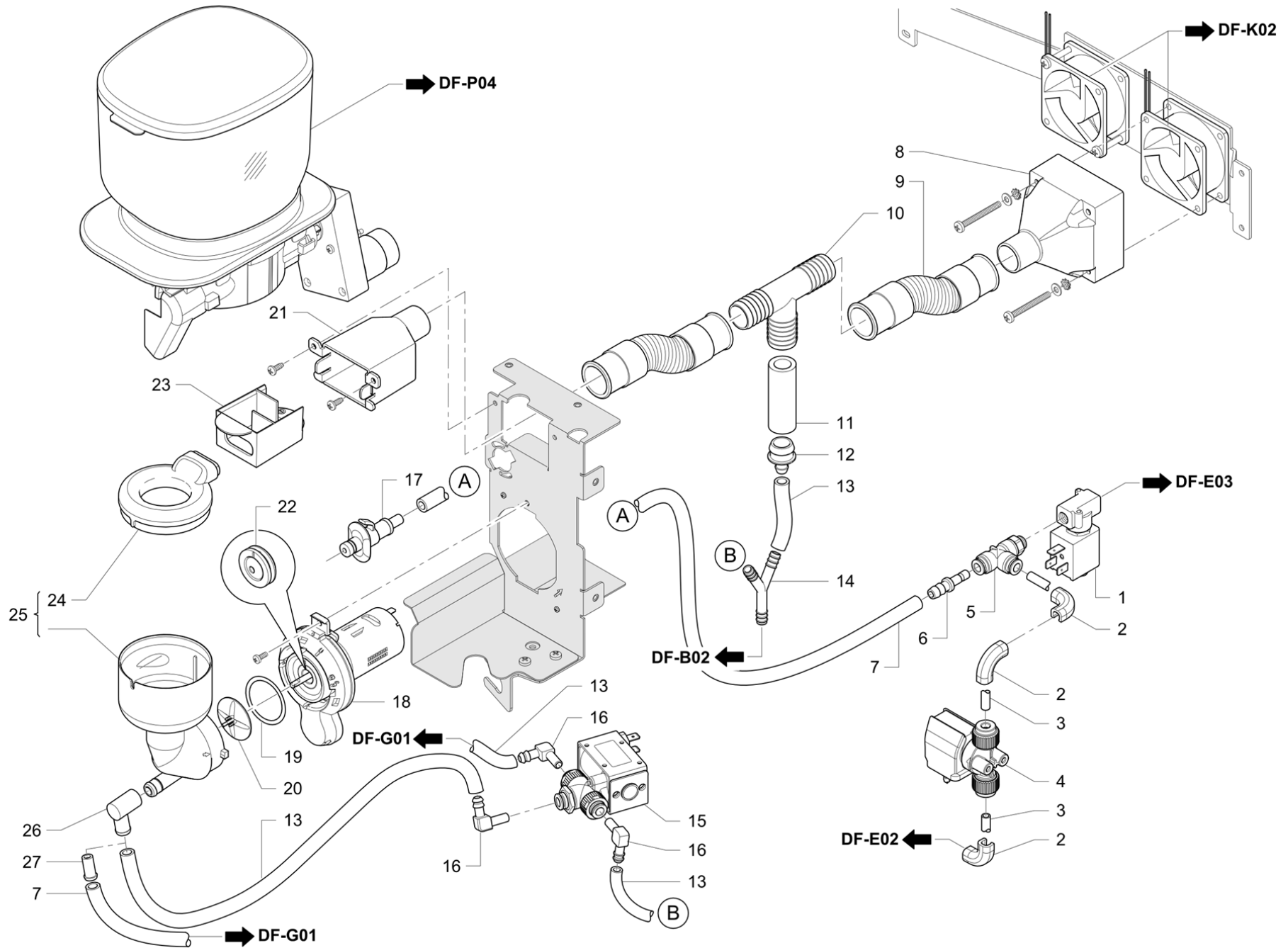




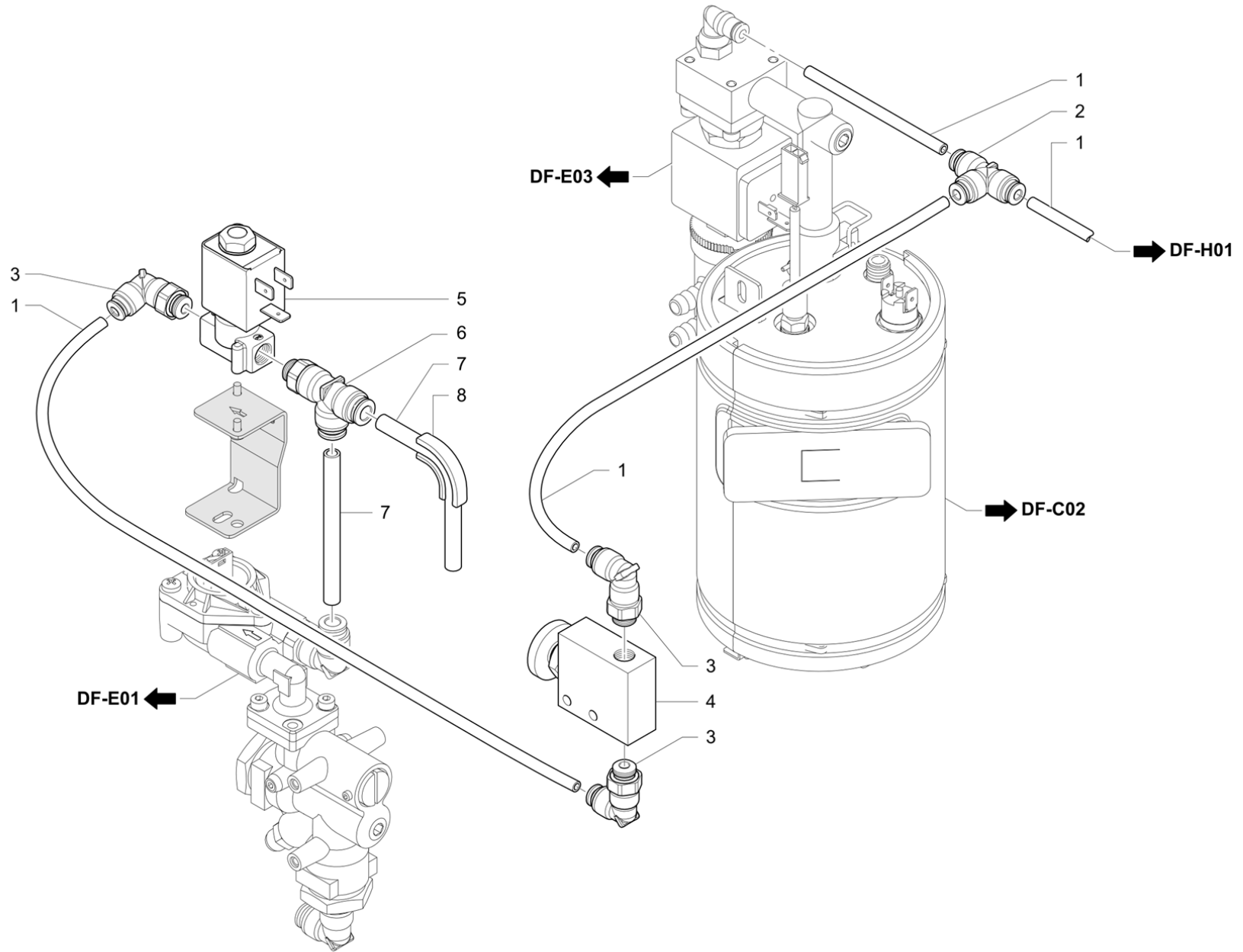
Pos	Part Number	Description	Validity	Notes
1	966026000	TUBE BENDER		
2	220000022	RISLAN PIPE 4X6		
3	532657200	CONNECTOR 1/4		
4	966431000	NOZZLE Diam. 1mm		
5	532657900	PARTITION CONNECTOR D6		
6	532656000	G1/8 M RUBB.CONN.		
7	441170001	CLIP		
8	533896600R	SOLENOID VALVE 24V DC		
9	532655700	STRAIGHT CONNECTOR G1/8 M		
10	532567300	G1/4 ELBOW JOINT		
11	532656500	STRAIGHT CONNECTOR D.61/8 F		
12	532655800	STRAIGHT CONNECTOR G1/4 M D.6		
13	533896910F	SOL.VALVE 3V NC D3 VITON 1/4G		
14	448138018	UNION 1/8 F		
15	220000016	SILICONE PIPE D 6X10		
16	532656100	G1/4 M RUBB.CONN.		
17	220000029	SILICONE PIPE D 7X11		
18	532657100	ELBOW CONNECTOR WITH QUICK COUPLING		
19	532567400	AD 4 D6 ELBOW JOINT		
20	220000021	TEFLON TUBE D 2,5X4		



Pos	Part Number	Description	Validity	Notes
1	220000021	TEFLON TUBE D 2,5X4		
2	220000016	SILICONE PIPE D 6X10		
3	533902000	2-WAY SV ETV 125-A40-6FF-024		
4	966026000	TUBE BENDER		
5	947155000	COLD AIR LABEL		
6	946372000	FLOW ADJUSTER 1/8 NICKEL FINISH	N:NSF	
6	533590700	AIR VALVE		
7	947156000	HOT AIR LABEL		
8	532655900	G1/8 M RUBB.CONN.		
9	966409000	TUBE-HOLDER CONNECTOR WITH QUICK COUPLIN		
10	936298010	RUBBER HOLDER WITH QUICK COUPLING D.4		
11	533900800	EV. 3-WAY ETV-SO2-F30-4FF-024/= - WITH S		
12	484381000	UNION		
13	220000055	TUBE Diam. 6x10		
14	220000022	RISLAN PIPE 4X6		
15	532656800	D.6-G1/8 M VERT. T.CONN.		
16	946371000	NSF SILICON TUBE 4.2X7.85X1000MM	N:NSF	
16	484391000	4,8X7,9X1000 SILICON PIPE		
17	532161000	CABLE GLAND ø 34		
18	966423000	MILK SUCTION FILTER		
19	534600100	FILTER AIR CAPP.		
20	533180700F	MILK PUMP		
21	532655500	Y JOINT RAP. PVC 982P3-4FF-S8		
22	533902500	2-WAY SOLENOID VALVE QUICK COUPLING		
23	532657700	STRAIGHT CONNECTOR D6		
24	532657100	ELBOW CONNECTOR WITH QUICK COUPLING		
25	966432000	NOZZLE Diam. 0.6mm		
26	533902710	3-WAY SOLENOID VALVE		
27	532656700	T-SHAPED CONNECTOR		
28	532656400	PARTITION CONNECTOR		
29	944794010	MILK WARMER ASSEMBLY		
	⇌ 944794000	MILK WARMER ASS. SP.PART		
30	401360000	O-RING 11,11X1,78		
31	935708000	FAST UNION		
32	532567400	AD 4 D6 ELBOW JOINT		

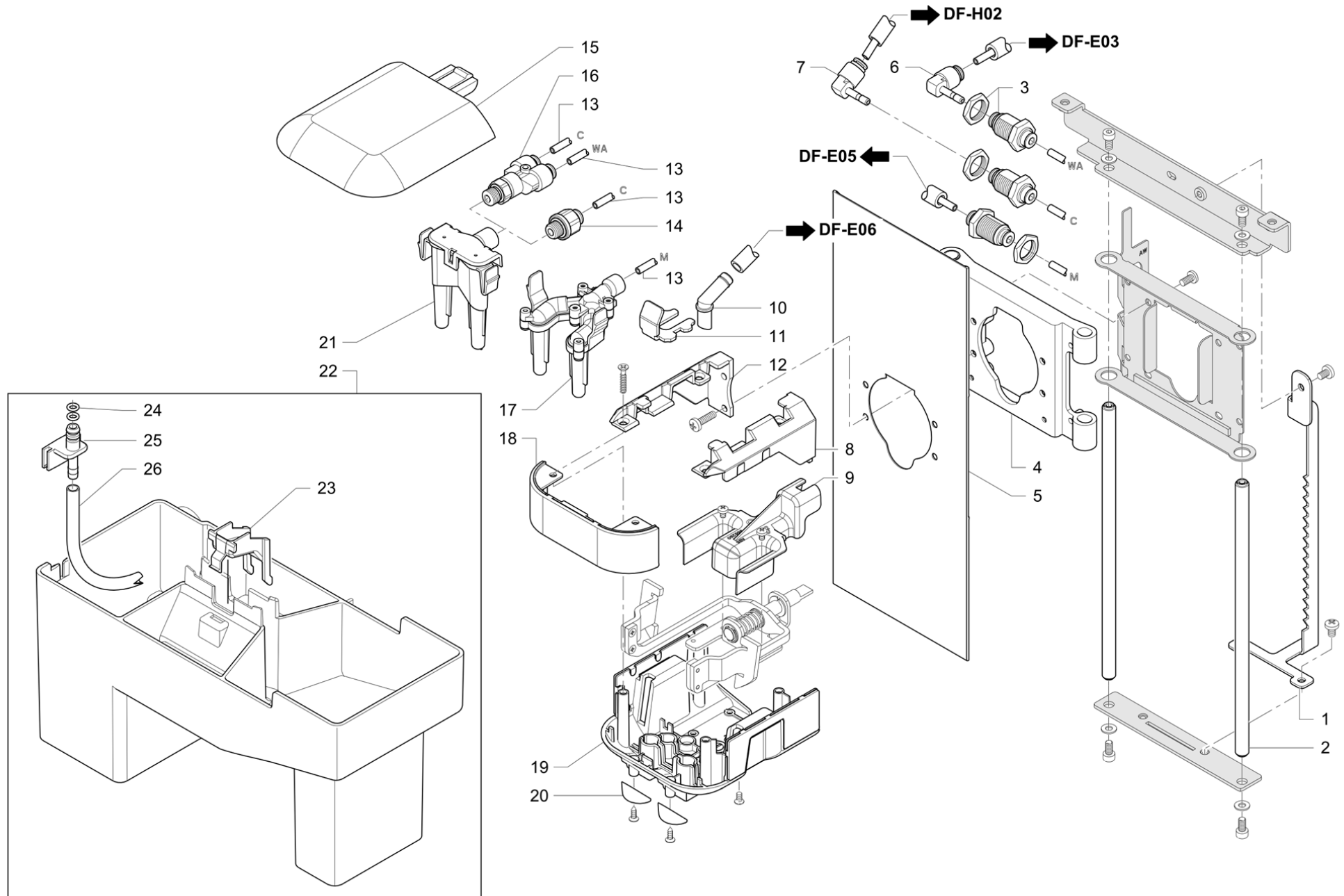


Pos	Part Number	Description	Validity	Notes
1	533897800	SOLENOID VALVE 24V DC		
2	966026000	TUBE BENDER		
3	220000022	RISLAN PIPE 4X6		
4	533902600	2-WAY SOLENOID VALVE THREADED COUPLINGS		
5	532656800	D.6-G1/8 M VERT. T.CONN.		
6	966429000	NOZZLE Diam. 0.6mm		
7	220000061F	SILICON TUBE		
8	934010010	AXIAL FAN SUPPORT 60mm		
9	966149010	MIXER SUCTION TUBE		
10	532305700	T-SHAPED CONNECTOR Diam. 22		
11	220000024	SILICONE PIPE D 15X21		
12	936299000	DOUBLE RUBBER HOLDER D8 D16		
13	220000016	SILICONE PIPE D 6X10		
14	532302720	Y-UNION		
15	533898000	DIVERTER VALVE 24V DC		
16	966409000	TUBE-HOLDER CONNECTOR WITH QUICK COUPLIN		
17	981163000F	QUICK-FIT ADAPTER ASSEMBLY		
18	966770000	BASE ASSEMBLY + CV MIXER MOTOR		
19	966419000	RED OR		
20	966402010	MIXER ROTOR		
21	966184000	FIXED SUCTION DRAWER		
22	946243000	INT. BASE GASKET, Diam. 4		
23	966049000	SUCTION DRAWER		
24	966404000	MIXER BODY COVER		
25	946809000	MIXER BODY ASSEMBLY		
26	966405010	MIXER OUTLET CONNECTOR		
27	946397000F	NOZZLE 2.5mm		

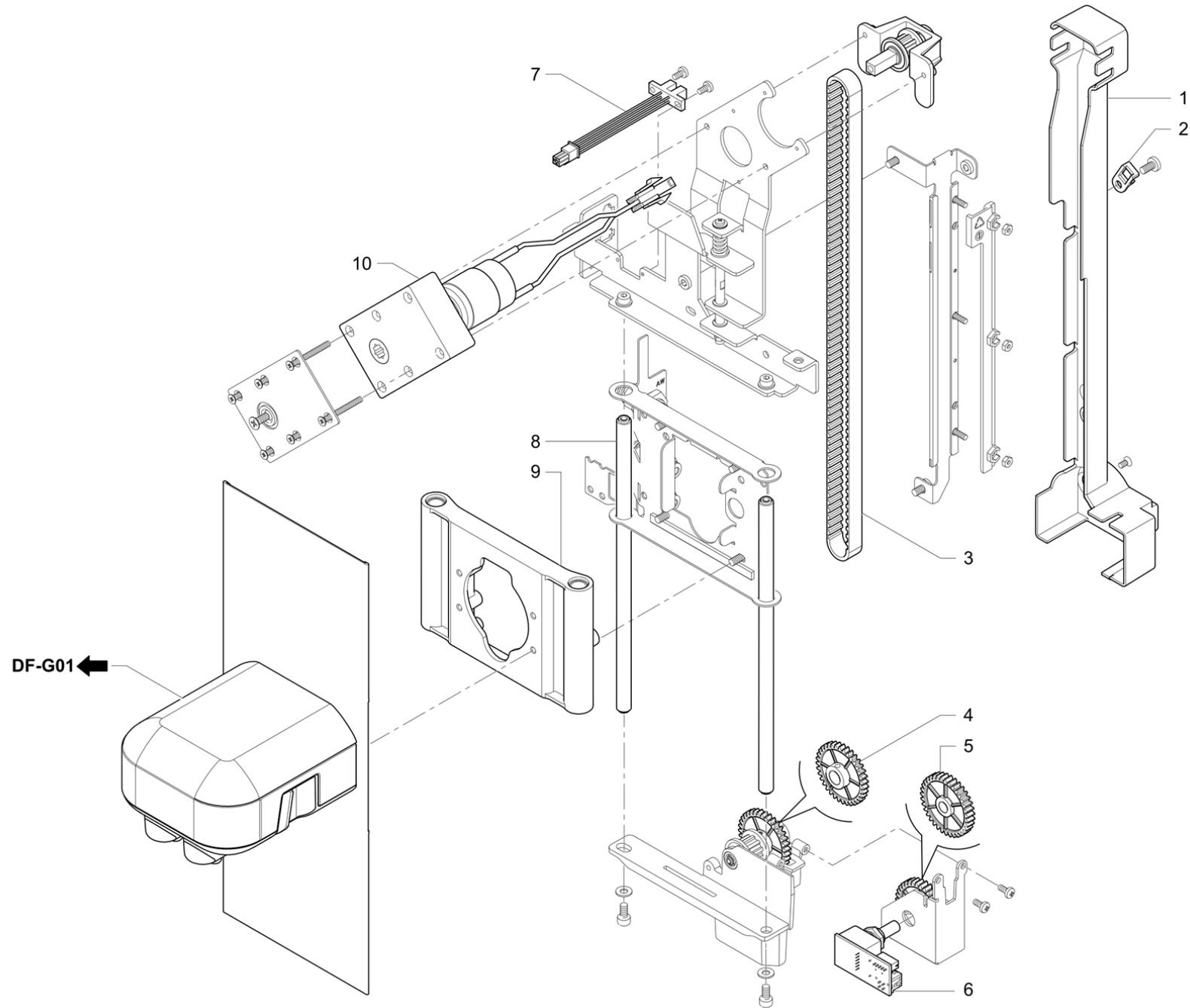


Pos	Part Number	Description	Validity	Notes
1	220000021	TEFLON TUBE D 2,5X4		
2	532656600	T-SHAPED CONNECTOR		
3	532655900	G1/8 M RUBB.CONN.		
4	920658010	WATER REGULATING VALVE		
5	533897800	SOLENOID VALVE 24V DC		
6	532656800	D.6-G1/8 M VERT. T.CONN.		
7	220000022	RISLAN PIPE 4X6		
8	966026000	TUBE BENDER		

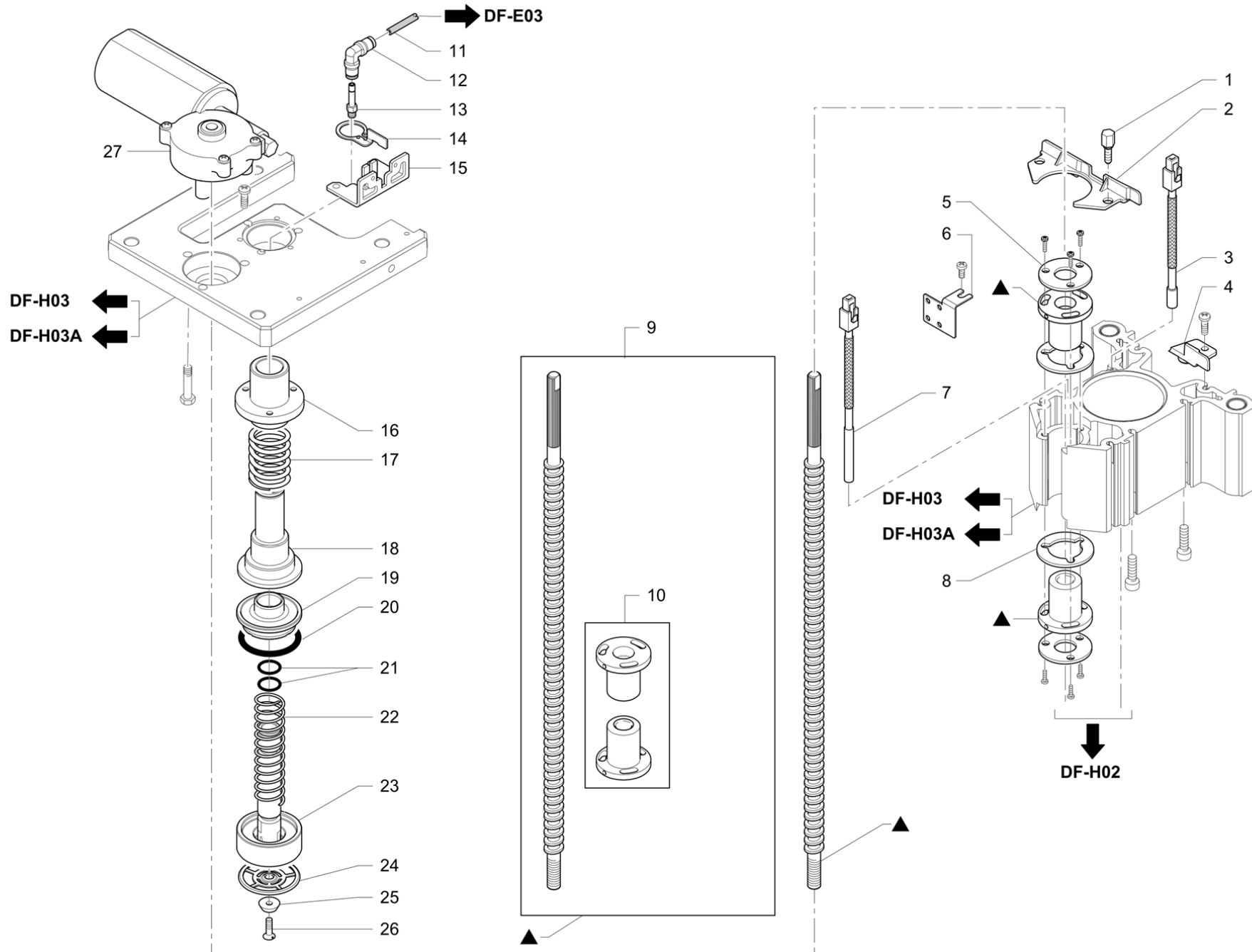




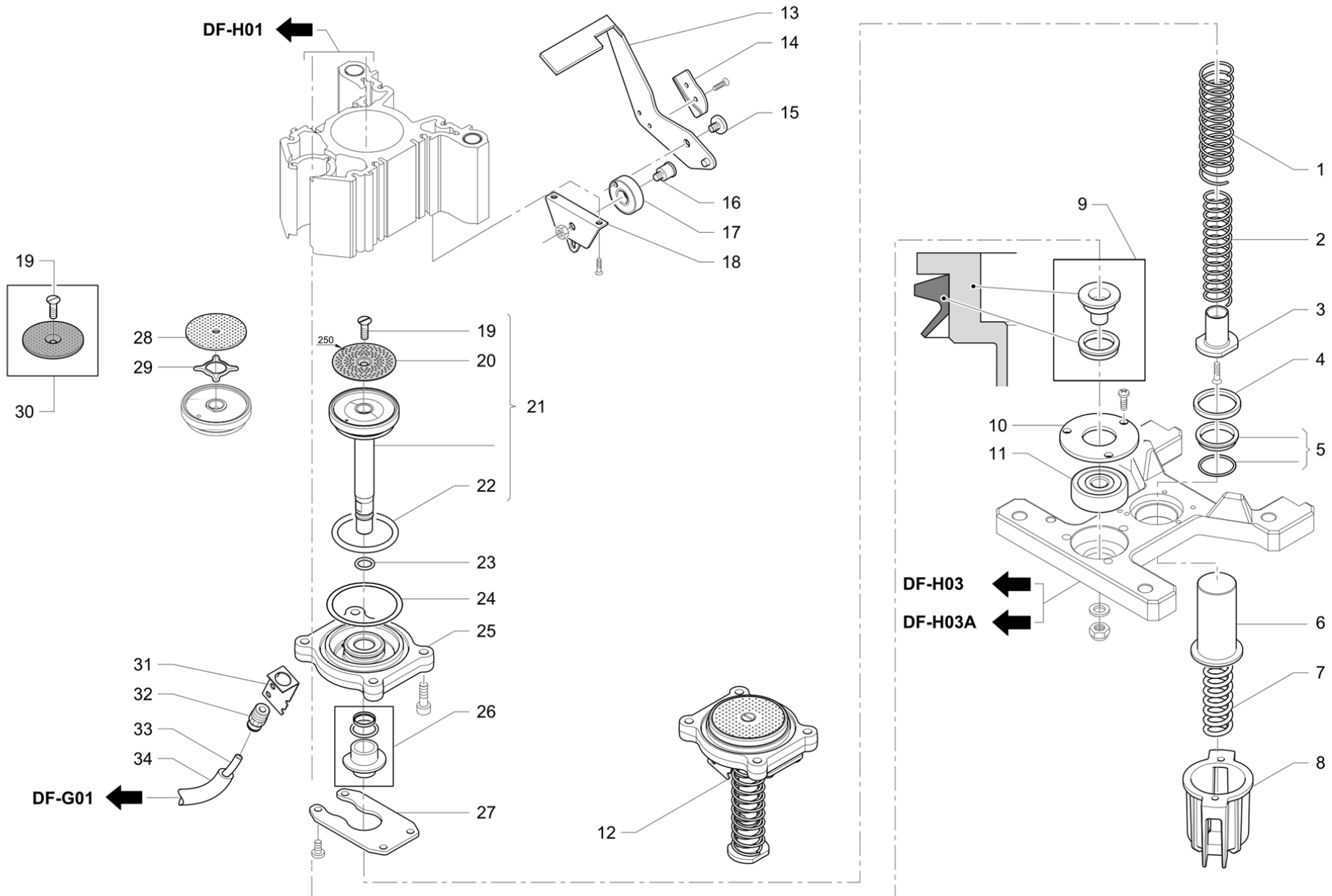
Pos	Part Number	Description	Validity	Notes
1	966271001	TOOTHING		
2	966222000	DISPENSER GUIDE ROD		
3	532657500	PARTITION CONNECTOR D4		
4	432544010	DELIVERY SPOUT SUPPORT		
5	966266000	SPOUT SLUICE-VALVE		
6	532658100	ELBOW CONNECTOR WITH QUICK COUPLING D4		
7	532658900	ELBOW CONNECTOR WITH QUICK COUPLING D4		
8	966264000	RH SPOUT FRAME		
9	966260000	MOTORISED SPOUT COUPLING CASING		
10	940168000	ONE WAY SPOUT		
11	943456010	SPOUT DELIVERY TUBE RETAINER		
12	966265000	LH SPOUT FRAME		
13	220000021	TEFLON TUBE D 2,5X4		
14	532655600	STRAIGHT CONNECTOR G1/8 M		
15	966254000	SPOUT COVER - WITH TABLES S30-		
16	532657600	Y-CONNECTOR D.4 G1/8		
17	946740000	MILK SPOUT ASS. SP.PART		
18	966545000	FRONT SPOUT SHELL ASSEMBLY		
19	966544000	LOWER SPOUT SHELL ASSEMBLY		
20	966225007	SPOUT		
21	946813000	COFFEE SPOUT ASSEMBLY		
22	946805010	WASH TANK ASSY S30		
23	966316000	SOLUBLE TUBE DRAINAGE		
24	401400000	NBR SILICON OR 5.28x1.78		
25	966303000	CONNECTOR FOR FLOAT		
26	220000052	POWER SUPPLY CABLE		



Pos	Part Number	Description	Validity	Notes
1	966262010	NEW BELT CASING		
2	532141400	CABLE SUPPORT		
3	535303200	TOOTHED BELT		
4	946260000	CONDUCTOR DRIVER GEAR Z35 M1		
5	946261000	DUCT DRIVER GEAR Z35 M1		
6	538119000	SPOUT ENCODER CARD		
7	966442010	SPOUT END STOP PHOTOCELL		
8	966424000	CHROME DISPENSER GUIDE ROD		
9	966557000	DISPENSER SLIDE GAGE ASS. S30		
10	530892410	STAR COUPLING GEARED MOTOR		

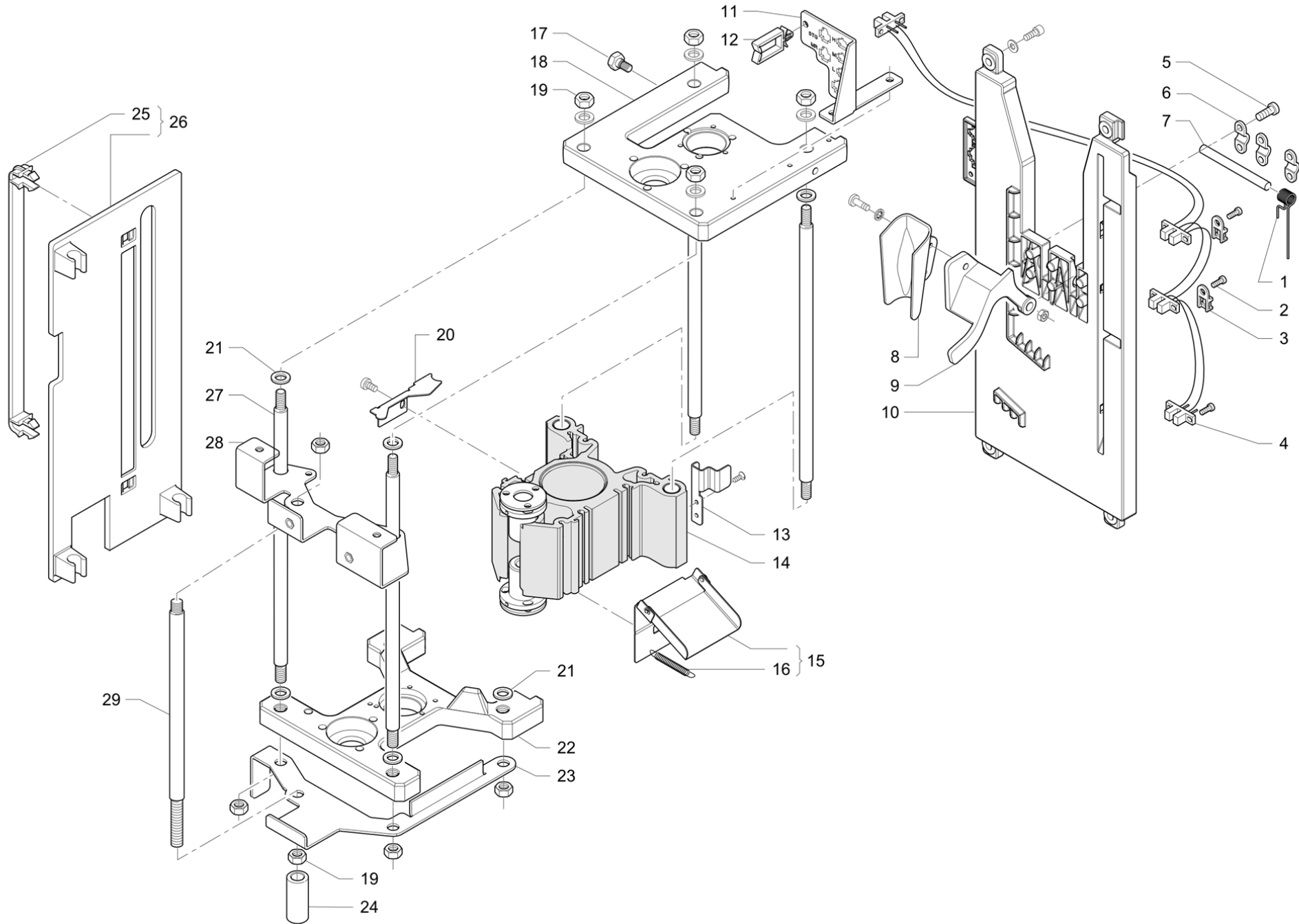


Pos	Part Number	Description	Validity	Notes
1	936073010	SPACER M4		
2	931197020	LEFT CHAMBER GROUP PROTECTION		
3	966486000	TEMPERATURE SENSOR		
4	931198030	RIGHT CHAMBER GROUP PROTECTION		
5	431257010	GROUP WASHER		
6	431151000	FIXING PLATE-KTY GR		
7	966485000	CARTRIDGE RESISTOR WITH CONNECTOR		
8	938065000	SEAT FOR NUT		
9	537050710	KIT COFFEE GROUP SNAILS-SCREW		
10	537050610	KIT COFFEE GROUP SNAILS		
11	220000021	TEFLON TUBE D 2,5X4		
12	532652000	CONNECTION		
13	532652210	UNION		
14	936045000	RING BENZING CLOSURE PHOTOELECTRIC CELL		
15	936046000	UPPER PISTON SUPPORT 4 PHOTOEL.CELLS		
16	431031040	BUSH UPPER PISTON		
17	461079000	SPRING GUIDE UPPER PISTON		
18	461115015	PISTON HOLDER	G:D44	
18	461114015	PISTON HOLDER	G:D50	
19	461086000	FLANGE	G:D44	
19	461083000	FLANGE	G:D50	
20	402186010	OR 34.52X3.53 PLATIN. GASKET	G:D44	
20	402187010	OR-GASKET 39,69X3,53	G:D50	
21	401374000	GASKET		
22	461080000	SPRING FOR UPPER PISTON		
23	461110000	PISTON	G:D44	
23	461111000	PISTON	G:D50	
24	461518000	SHOWER		
25	936188000	UPPER PISTON SPACER		
26	936197000	SCREW M4X14 SS		
27	431914010	MOTOR 24V 420RPM		

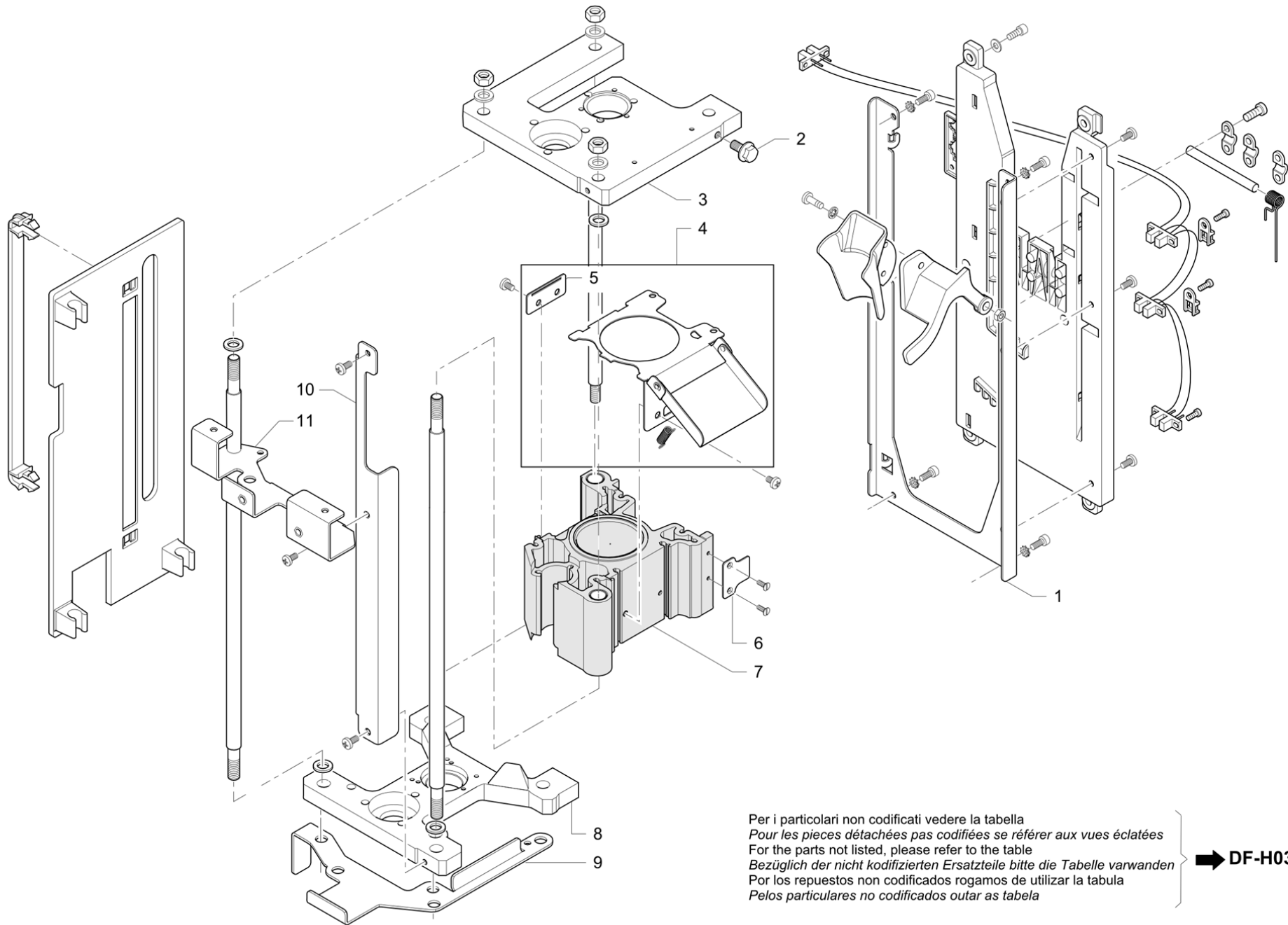


Pos	Part Number	Description	Validity	Notes
1	431055020	SPRING 2 RELEASE LOWER PISTON		
2	431153020	SPRING 1 RELEASE LOWER PISTON		
3	431025015	TERMINAL BODY PART		
4	431260000	RING WITH SCRAPER		
5	401397000	SCRAPER		
6	431023027	INSULATE TUBE		
7	431036020	CONTRAST SPRING LOWER PISTON		
8	966412010	LOWER GROUP PROTECTION		
9	537046300	KIT BUSH FOR MOVEMENT SCREW		
10	431034000	PAD PLATE		
11	580105600	BEARING		
12	944704030	PISTON ASS. W/BASE 44 STEPSEAL SP.PART	G:D44	
12	944705030	PISTON ASS. W/BASE 50 STEPSEAL SP.PART	G:D50	
13	431516030	GROUNDS KNOCKOUT LEVER		
14	931301000	GUIDE RELEASE COFFE PAD K/O LEVER		
15	431054010	PIVOT ROD KNOCKOUT		
16	431021020	CAM PIVOT		
17	431022010	CAM		
18	431020030	FIXING SUPPORT COFFEE PAD K/O LEVER		
19	429600000	SCREW M4X8 SS		
20	944087000F	D. 44 250 MICRON FILTER	G:D44	
20	944088000F	D.50 250 MICRON FILTER	G:D50	
21	944706020	PISTON ASS. 44 STEPSEAL SP.PART	G:D44	
21	944707020	PISTON ASS. 50 STEPSEAL SP.PART	G:D50	
22	402186010	OR 34.52X3.53 PLATIN. GASKET	G:D44	
22	402187010	OR-GASKET 39,69X3,53	G:D50	
23	402217000	GASKET 8,73X1,78 NF		
24	402245000	GASKET 50,47X2,62	G:D44	
24	402246000	O RING 55,25X2,62	G:D50	
25	936159045F	CHAMBER BASE Diam 44	G:D44	
	⇌ 936159035F	CHAMBER BASE D. 44	G:D44	
25	936175035F	CHAMBER BASE D.50	G:D50	
26	944708000	GASKET SCRABER KIT		
27	936161000	BRACKET FOR STEPSEAL ROD GUIDE		
28	431067000	MICROSWITCH	G:D44	
28	431416000	MICROSWITCH	G:D50	
29	944050000F	STAINLESS STEEL FILTER GUIDE		
30	932768000	FILTER § 44 M2	G:D44 MF	
30	933735000	FILTER § 50 M2	G:D50 MF	
31	936210000	PIPE FIXING		
32	532650800	UNION FOR DELIVERY 1/8		
33	220000021	TEFLON TUBE D 2,5X4		
34	220000052	POWER SUPPLY CABLE		





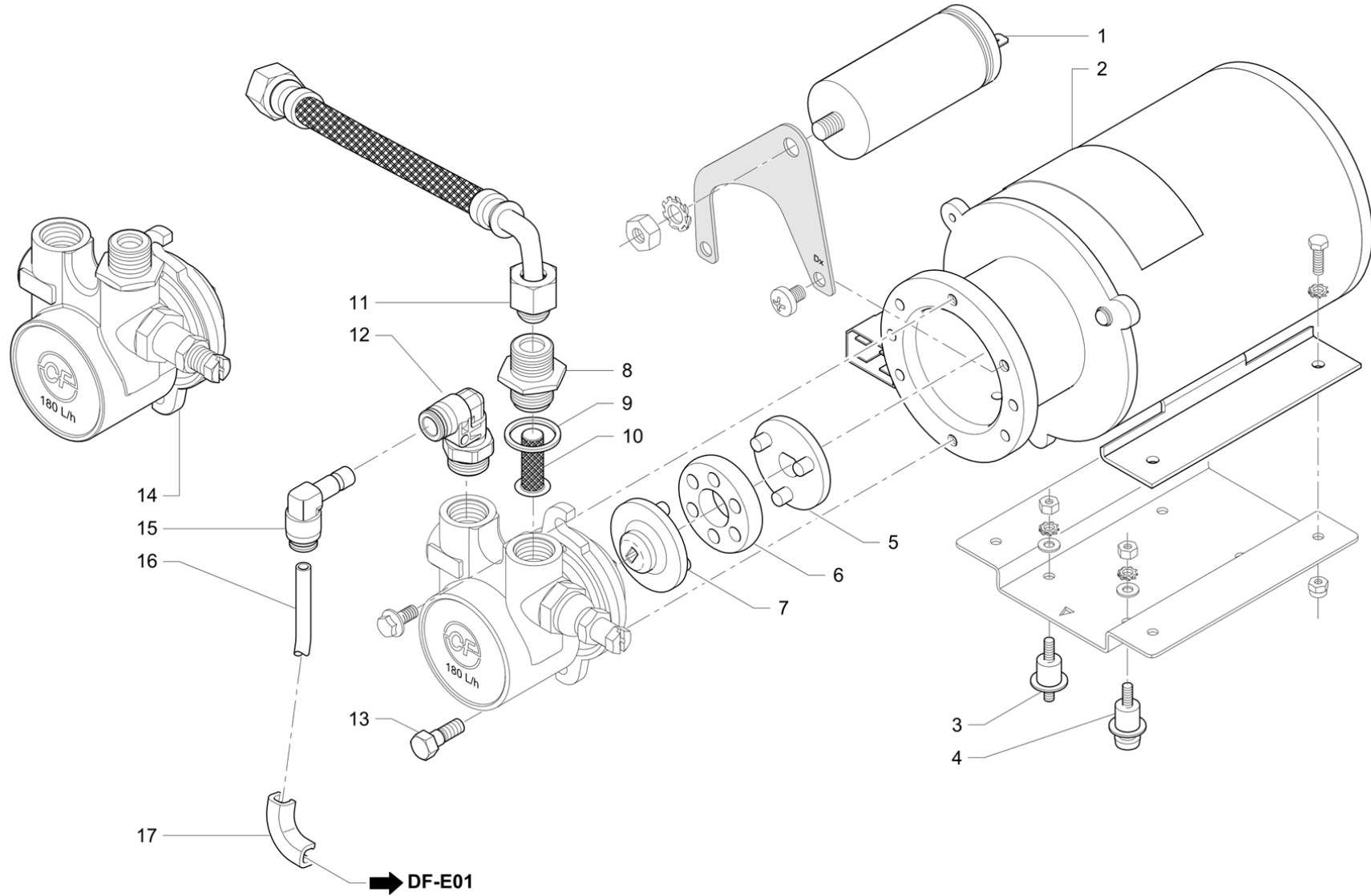
Pos	Part Number	Description	Validity	Notes
1	932027030	TILTER SPRING (REPLACES 932027020)		
2	523135120	SCREW AUTO.T.C.CR. 3,5X12		
3	532141400	CABLE SUPPORT		
4	535725008	4 PHOTOELECTRIC CELLS WITH WIRING		
5	523104080	SCREW 4X8		
6	932012000	COLLAPSIBLE COFFEE PLUG SUPPORT		
7	932028010	TILT. MECH. PLUG		
8	537056100	DUCT KIT		
9	932013010	TILTER SUPPORT		
10	932014040	TILTER PLATE		
11	966408020	CONNECTOR SQUARE		
12	532162200	CABLE FASTENER		
13	431162020	SUPPORT SURVEY CAMERA PLACEMENT		
14	938890010	SPARE CHAMBER D.44 (REPL. 938890000)	G:D44	
14	938891010	CHAMBER D.50 SPARE PARTS	G:D50	
15	944715000	COFFEE PAD SHOOT		
16	461054050	SPRING		
17	966368010	COLLAR SCREW		
18	431030060	SUPPORT PLATE		
19	542908080	NUT M8		
20	431237000	SUPPORT PROTECTION RESISTANCE/ ELECTRODE		
21	938064000	GROUP ROD WASHER		
22	431380040	LOWER COFFEE GROUP PLATE		
23	966313020	LOWER GROUP ANCHORING		
24	966484001	FIXING SPACER		
25	932011000	HANDLE		
26	537043920	COFFEE SLUICE-VALVE		
27	936142000	MAIN SHAFT CROMPLATED		
28	966554000	UPPER SPOUT SUPPORT		
29	431173010	SHAFT GUIDE SPOUTS		



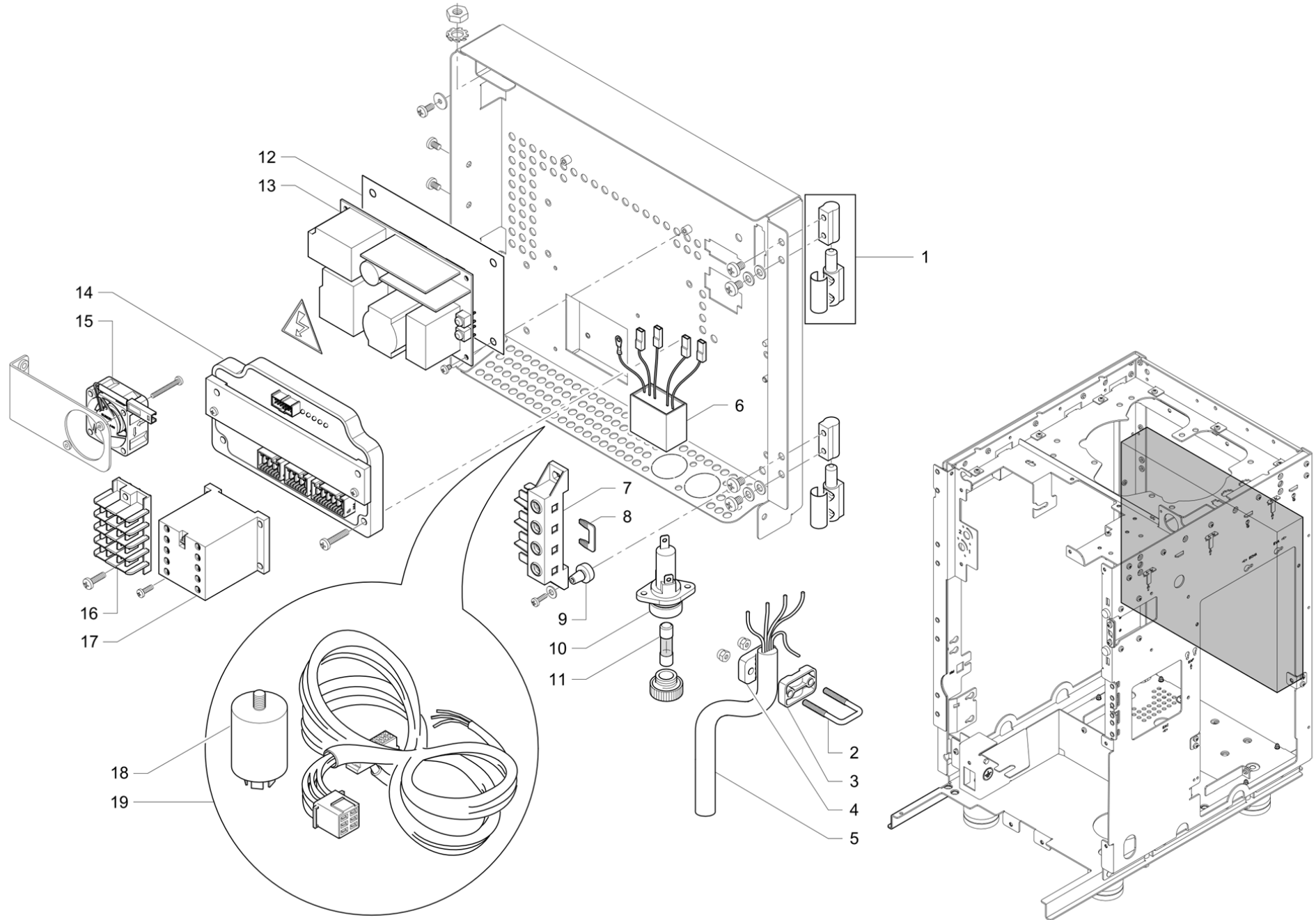
Per i particolari non codificati vedere la tabella  
 Pour les pièces détachées pas codifiées se référer aux vues éclatées  
 For the parts not listed, please refer to the table  
 Bezüglich der nicht kodifizierten Ersatzteile bitte die Tabelle verwenden  
 Por los repuestos no codificados rogamos de utilizar la tabula  
 Pelos particulares no codificados outar as tabela

➔ DF-H03

Pos	Part Number	Description	Validity	Notes
1	946204000	REAR PLATE SUPPORT		
2	593820001	HEXAGONAL-HEAD SCREW		
3	946213000	UPPER GROUP PLATE		
4	976727000	CHAMBER CLOSURE PLATE		
5	946206000	CHECK VALVE FOR CHAMBER CLOSURE PLATE		
6	946232000	CHAMBER POSITION BRACKET		
7	966574000	CHAMBER D.44 WITH SLEEVE	G:D44	
7	966575000	CHAMBER D.50 WITH SLEEVE	G:D50	
8	946212010	LOWER GROUP PLATE		
9	946263000	BOTTOM COFFEE GROUP FASTENING		
10	946207010	ANGLE BRACKET FOR GROUP		
11	946211010	UPPER SPOUT SUPPORT		

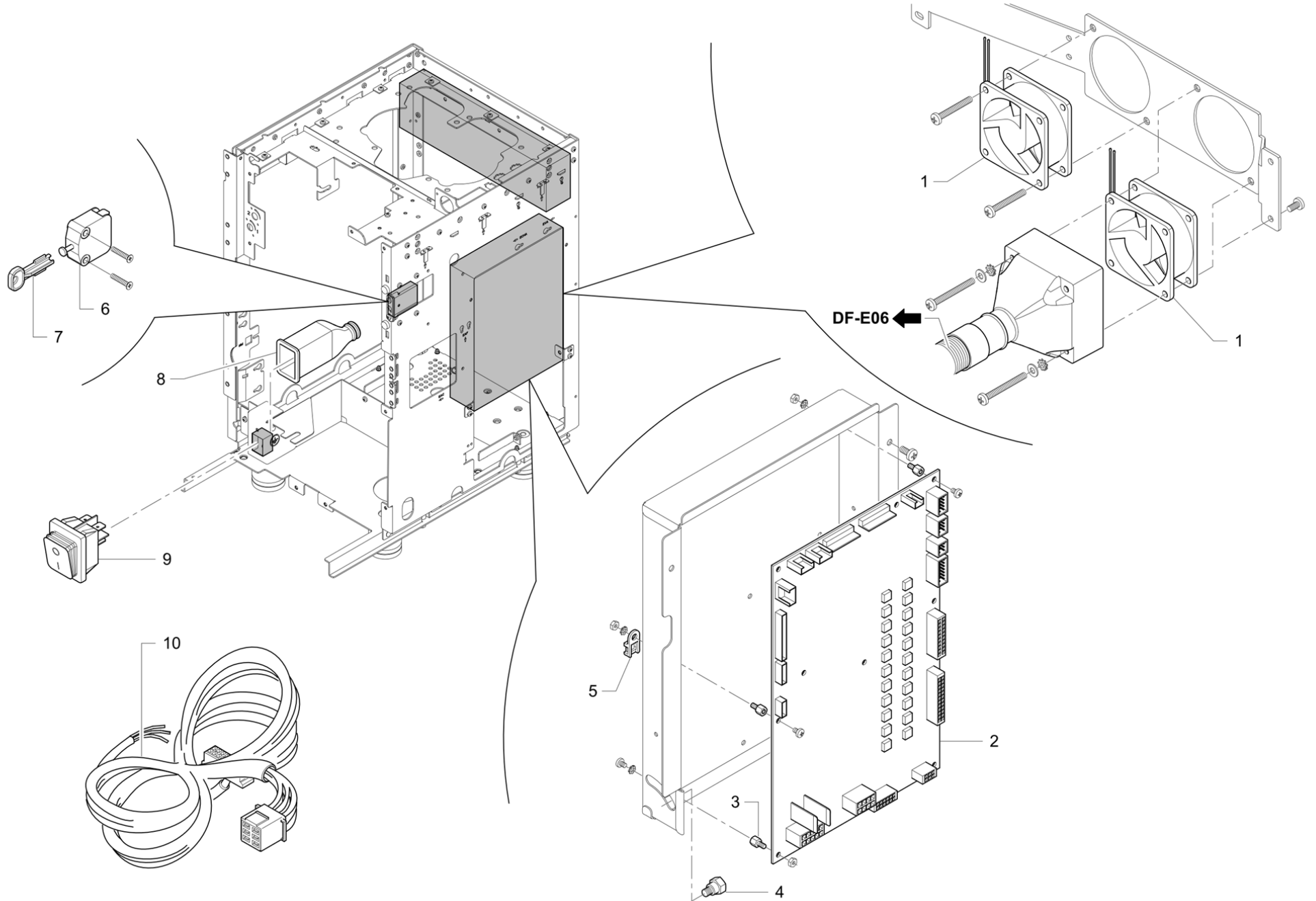


Pos	Part Number	Description	Validity	Notes
1	531494300	METAL. COND. 10 uF DUCATI 416.33.27		
1	531492900	CAPACITOR 10mF	N:UL	
2	530298120	PUMP 220/50 HORIZ. MOTOR		
2	530299600	PUMP 220/50 HORIZ. MOTOR UL	N:UL	
3	3251133418	RUBBER ANTIVIBRATION		
4	3251133417	RUBBER ANTIVIBRATION		
5	4821023082	MOTOR JOINT		
6	4081021923	RING		
7	4821108987	PUMP JOINT		
8	533100600	JOINT 3/8X3/8		
9	401183010	GASKET 22X17X1,5 INLET VALVE		
10	533100400	INSIDE FILTER		
11	3951130515	PIPE 3/8X 3/8 120øMM 2200		
11	532304300	PIPE 3/8 NF	N:NSF	
12	532662300F	ADJUSTABLE G3/8 M ELBOW CONNECTOR D8		
13	4004136622	SCREW M6		
14	533180010	180 L/h VOLUMETRIC PUMP INOX W/FILTER		
15	532656300	ELBOW CONNECTOR WITH QUICK COUPLING		
16	220000022	RISLAN PIPE 4X6		
17	966026000	TUBE BENDER		

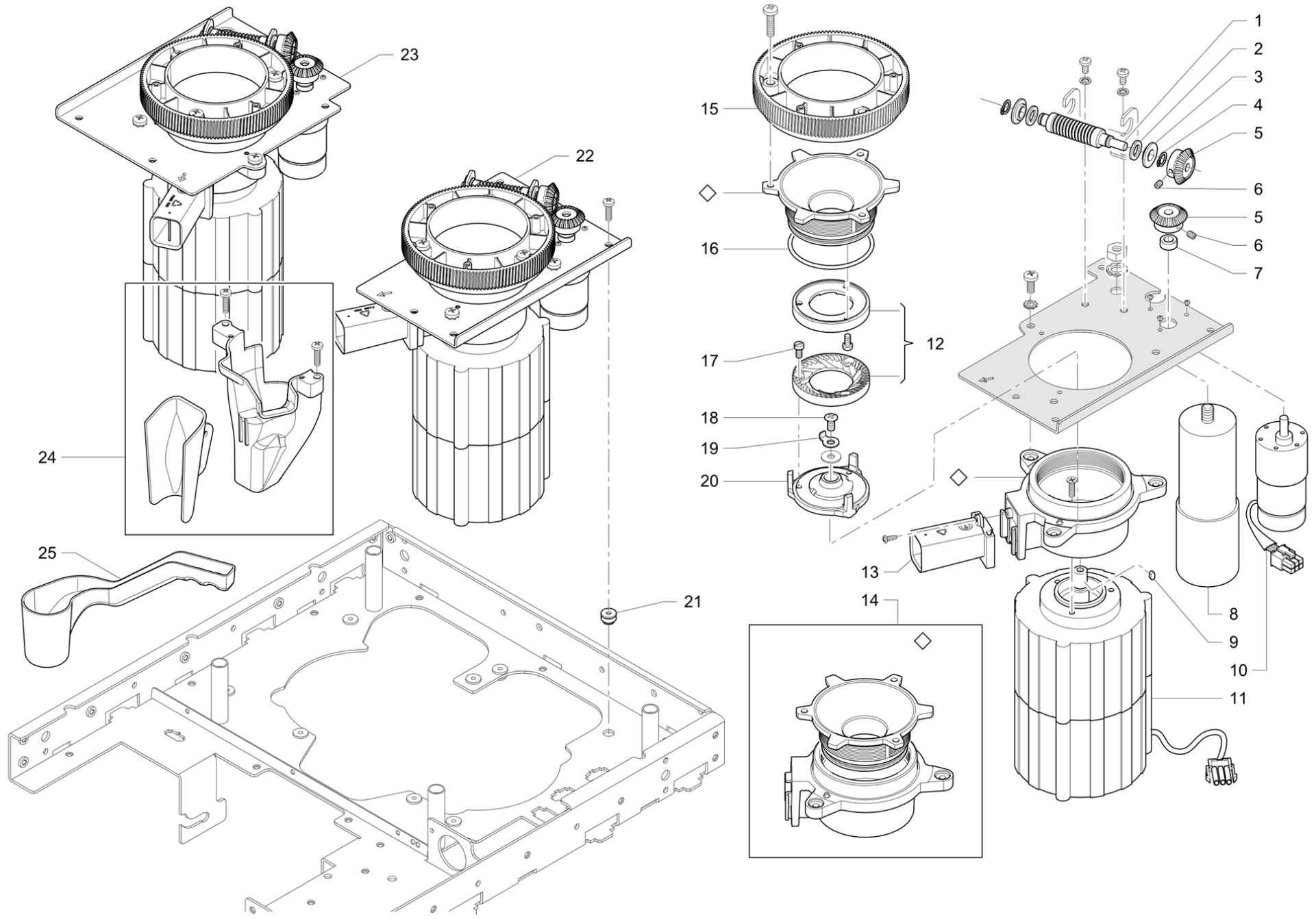


Pos	Part Number	Description	Validity	Notes
1	532735600	HINGE PROFILE		
2	532160200	FORK		
3	532160300	FIXED CABLE PRESS		
4	532160400	MOBILE CABLE PRESS		
5	530112900	WIRE	N:UL	
5	910414010	MAIN CABLE 4X3,5	M:JP	
5	421214000	WIRE		
5	423060000	WIRING		
5	530491000	SUPPLY WIRE MONO3X4		
5	946296000	SUPPLY CABLE 5x1.5mm2	N:KTL	
5	530112100	SUPPLY WIRE		
6	535668000	3 PHASE FILTER C		
7	532161500	TERMINAL BOARD		
8	532163000	JUMPER		
9	532805300	PRESSURE FOOT		
10	530111000	FUSE HOLDER	N:UL	
11	530112200	FUSE CC15 A	N:UL	
12	966455000	MYLAR SHEET		
13	537058400	POWER SUPPLY S30		
	⇒ 966847000	SUPPLIER PACK. ASSY S30 SP. PARTS		
14	537060800	TRIAC BOARD S30		
	⇒ 966845010	TRIAC BOARD S30 SP.PART		
15	966490000	TRIAC COOLING FAN		
16	535933000	Terminal board		
16	532177500	TERMINAL BOARD 5 Poles	N:UL	
17	531503520	CONTACTOR 4P 220/240V		
17	531508600	MINI-COUNTER 20A 200V 50/60Hz	M:JP	
18	531404200	PHASE FILTER 115/250V 50/60 Hz		
19	535917040	S30 Drawer cabling Diagram		

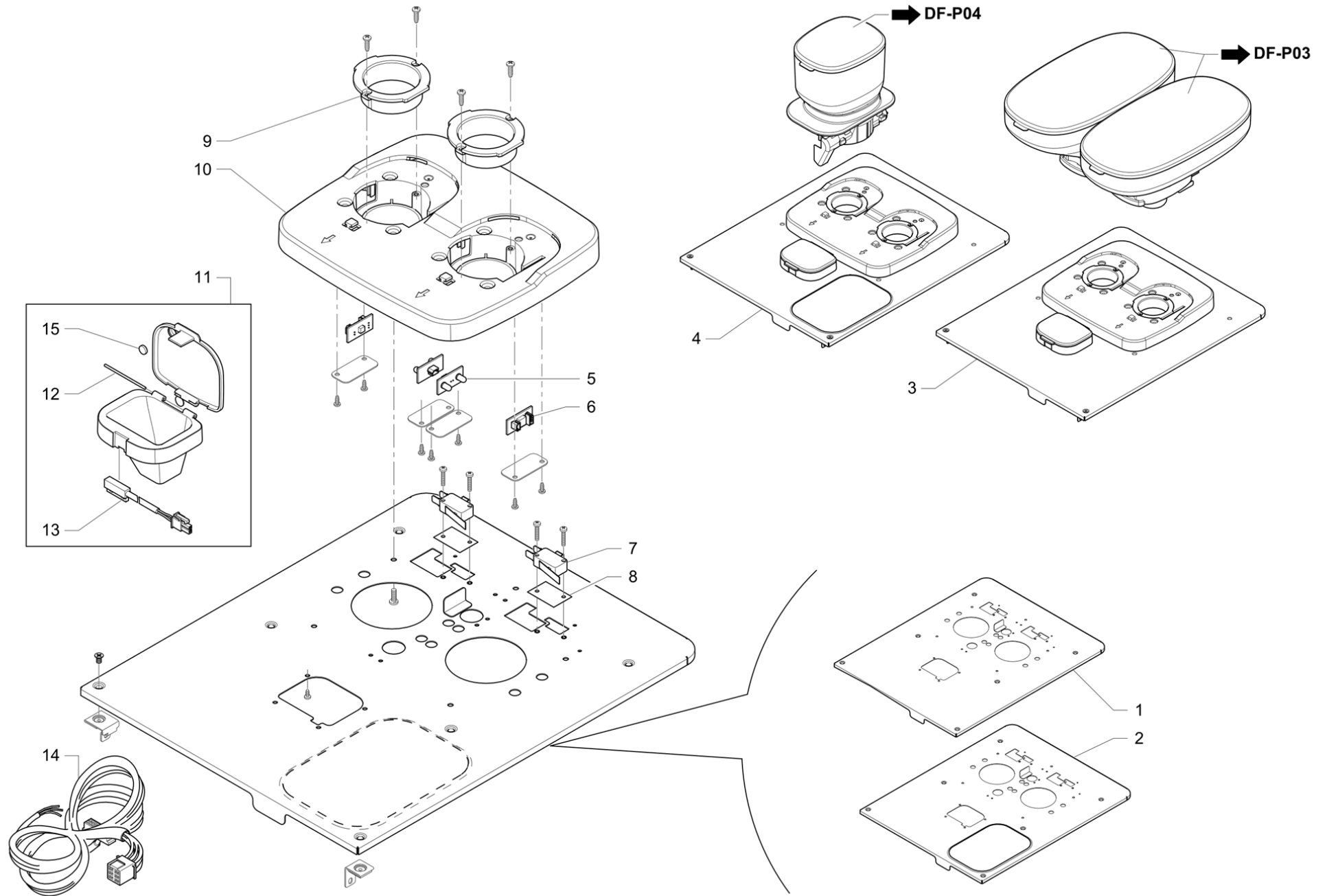




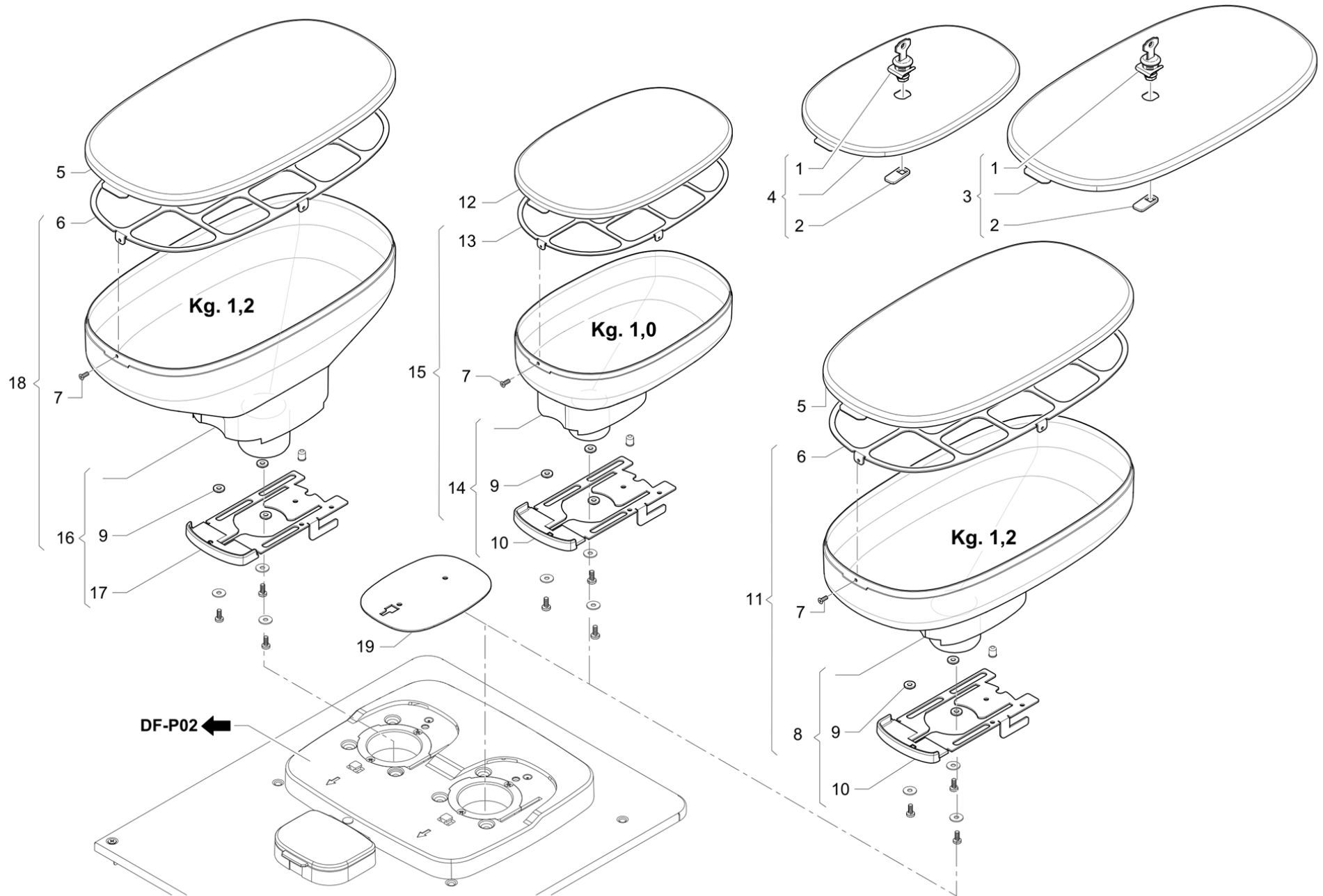
Pos	Part Number	Description	Validity	Notes
1	940410000	FAN 24V DC		
2	966846020	CPU BOARD ASSY S30		
3	532143400	SPACER M3XH.5		
4	916072010	CONTROL PANEL PIN		
5	532141400	CABLE SUPPORT		
6	3341133478	SAFETY SWITCH		
7	946842000	SERVICE KIT		
8	946396000	DOOR SWITCH HOOD		
9	532091300	GREEN BIPOLAR SWITCH	N:KTL	
9	532024500	SWITCH		
10	535925030	S30 HV CABLE		



Pos	Part Number	Description	Validity	Notes
1	971014010	CONIK BT WORM SCREW		
2	971015010	CONIK BT AXIAL WASHER		
3	971016000	SLEEVE FOR MOTORISED CONIK		
4	568208080	RING 8 UNI S.S.		
5	946453000	Z25 TAPERED GEAR		
6	512604060	S.S. M3X5 SCREW		
7	946135000	GRIND.ADJUST. CONICAL PAIR SPACER		
8	531494200	CONDENSER 14mf MET. 416333929		
8	531494600	CONDENSER 18 µF	N:UL	
9	532744200	PIN		
10	966519000	UNIFIED GEARED MOTOR		
11	966186010	UNIFIED MD MOTOR		
11	966187000	MD MOTOR US version (UL)	N:UL	
12	537057500	DUAL HOURLY GRINDER 54X8		
	⇒ 537054800	GRINDERS PAIR CLOCKWISE ROT. 54X7.4		
13	946502000	DUCT ASSEMBLY		
14	946700000	MOTOR HOLDER ASS.		
14	946700008	BODY AND RING NUT ASS. NSF	N:NSF	
15	971011000	CONIK BT COGWHEEL		
16	402246000	O RING 55,25X2,62		
17	500004080	M4X8 SCREW UNI 6107 INOX		
18	944052000F	COUNTERSINK HEAD SCREW M5X10		
19	936318000	MIXER FOR GRINDER		
20	946008020	GRINDER HOLDER		
21	532803100	RUVEBLOC RUBBER M4X12,6		
22	946781000	RIGHT GRINDER ASSEMBLY WITH SP. PARTS		
22	946914000	RH GRINDER ASSEMBLY UL SP. PART	N:UL	
23	946782000	LEFT GRINDER ASSEMBLY WITH SP. PARTS		
23	946915000	LH GRINDER ASSEMBLY UL SP. PART	N:UL	
24	537056100	DUCT KIT		
25	946295000	WEIGHING SPOON		

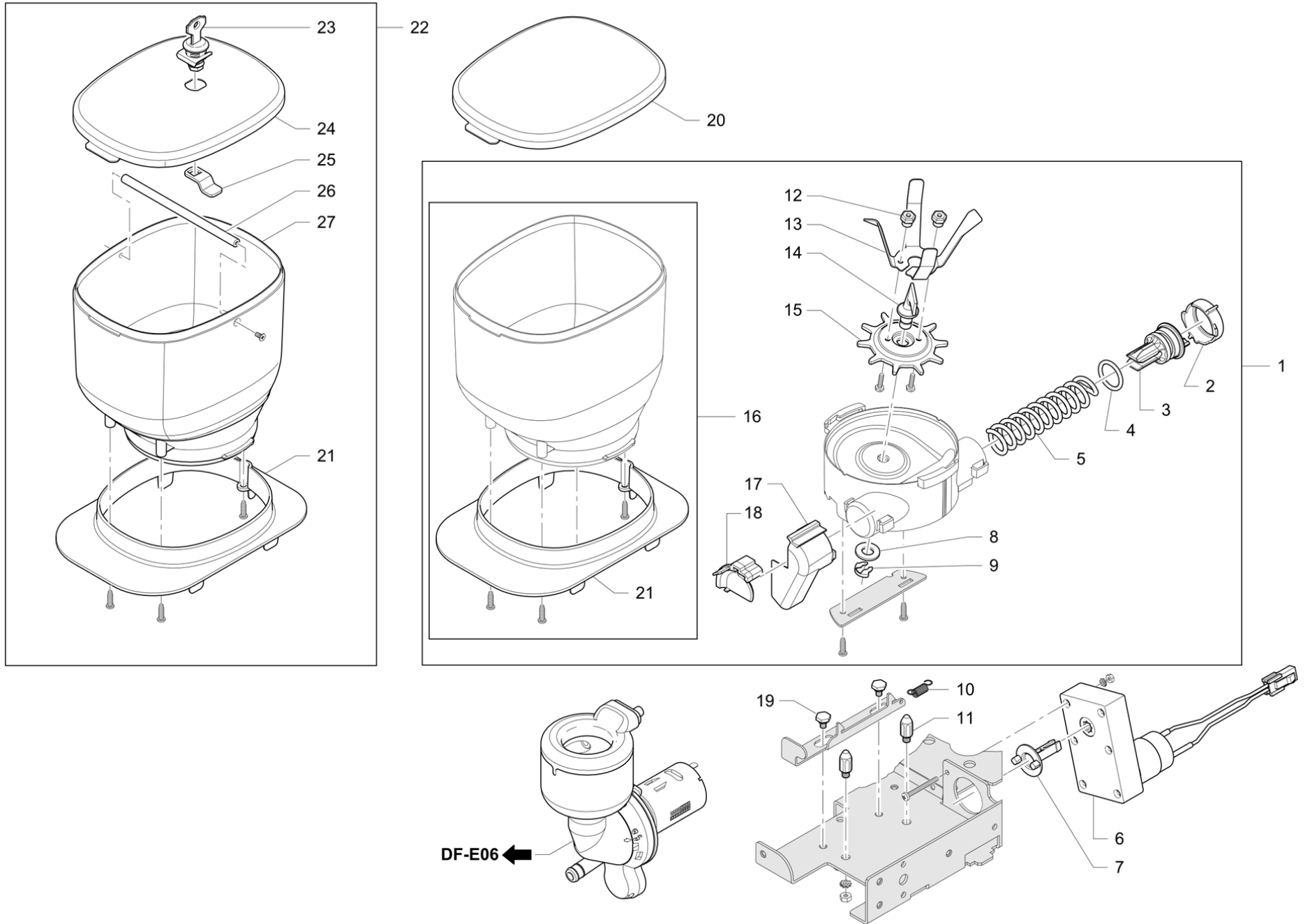


Pos	Part Number	Description	Validity	Notes
1	966563000	UPPER PLATE OF COFFEE-ONLY ASSEMBLY		
2	966562000	UPPER PLATE OF COMPLETE ASSEMBLY		
3	946918000	COMPLETE TOP PANEL ASS. NSF	N:NSF	
3	946819000	COMPLETE UPPER PANEL ASS.		
4	946932000	COMPLETE TOP PANEL ASS. NSF	N:NSF	
4	946818000	COMPLETE UPPER PANEL ASS. CS		
5	535536018	PHOTOCELL TX		
6	535535008	HOPPER RECEIVING BOARD		
7	532024800	MICROSWITCH		
7	532025000	MICRO SWITCH 21A-250V	N:UL	
8	940253000	MICROSWITCH INSULATING		
9	966229000	COFFEE SENSOR GLASS		
10	966234000	DOUBLE COFFEE HOPPER BASE		
11	946814010	DECAFFEINATED CHUTE ASSEMBLY		
	⇒ 946814000	DECAFFEINATED CHUTE ASSEMBLY		
12	966452000F	DECAFFEINATED CHUTE HINGE SHAFT		
13	535947000	WASHING BASIN PRESENCE SENSOR S30		
14	535929020	COFFEE / DECAFFEINATED SENSOR		
15	530602000	MAGNET		

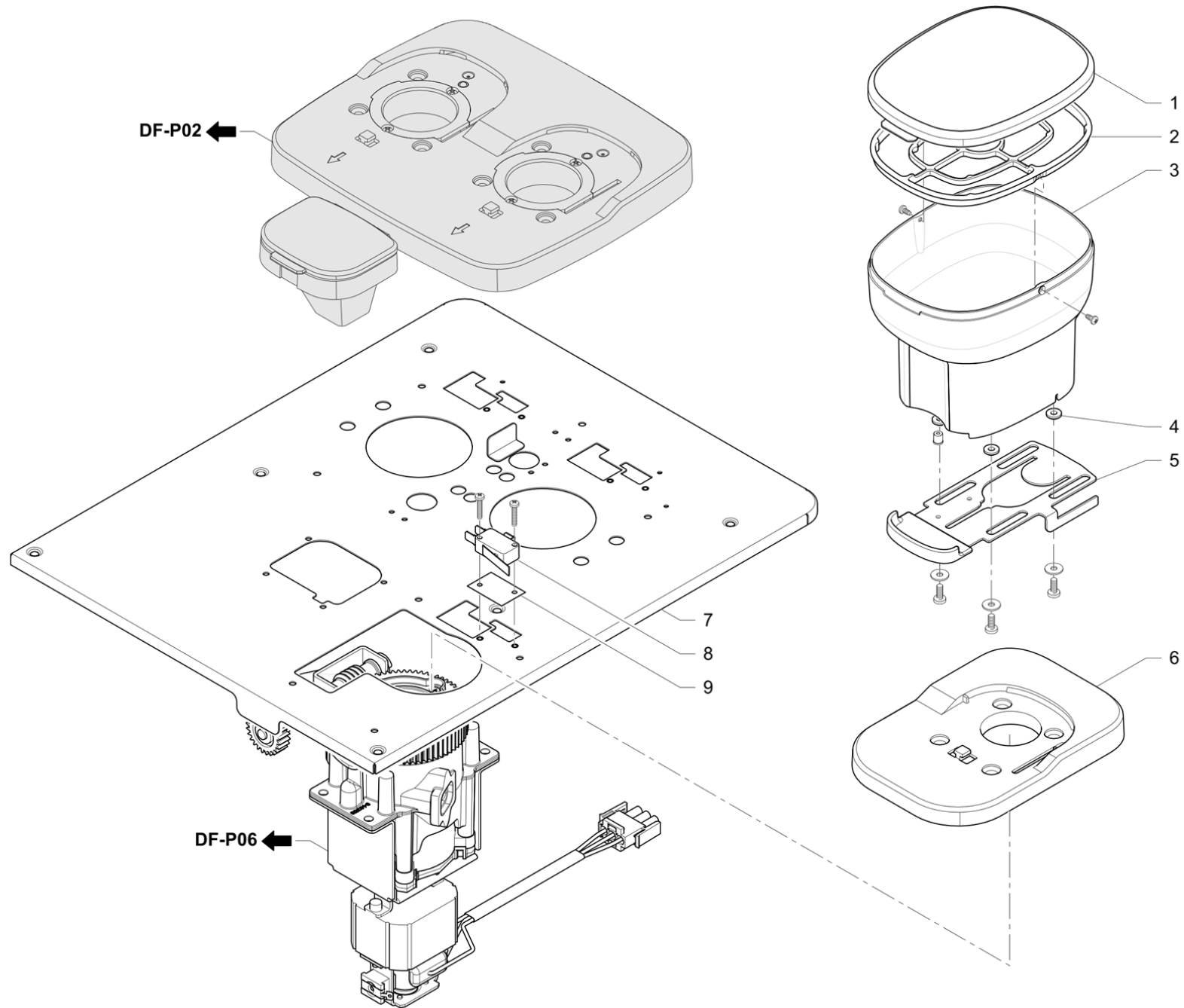


Pos	Part Number	Description	Validity	Notes
1	534194300	STANDARD LOCK		
2	946387000	HOPPERS LOCK BASE		
3	966899000	HOPPER COVER W/LOCK		
4	966900000	COFFEE HOPPER W/LOCK Sp.		
5	966231010	HOPPER COVER		
6	946557000F	HOPPER GRILLE	N:NSF	
	⇒ 946286000	ANTI-INTRUSION GRID 1	N:NSF	
7	501703081	TSVTC SCREW M3X8 NYLON		
8	946917000	RH HOPPER ASS. KG. 1.2 UL SP. PART	N:NSF	
8	946801000	RH 1.2 Kg HOPPER ASSEMBLY		
9	966227000	SHUTTER SLIDE BUSHING		
10	966578000F	RH HOPPER SHUTTER		
11	946924000	HOPPER ASS. Kg.1.2 RH. UL WITH GRILLE	N:NSF	
12	966233010	SMALL COFFEE HOPPER COVER		
13	946558000F	HOPPER GRILLE	N:NSF	
	⇒ 946287000	ANTI-INTRUSION GRID 2	N:NSF	
14	946802000	RH 1 Kg HOPPER ASSEMBLY		
14	946919000	HOPPER ASS. KG.1 UL	N:NSF	
15	946955000	HOPPER ASS. Kg.1 UL WITH GRILLE	N:NSF	
16	946800000	1.2 Kg HOPPER ASSEMBLY		
16	946916000	LH HOPPER ASS. KG. 1.2 UL SP.PART	N:NSF	
17	966579000F	LH HOPPER SHUTTER		
18	946923000	HOPPER ASS. Kg.1.2 LH. UL WITH GRILLE	N:NSF	
19	946417000	CAP FOR GRINDER HOLE (RH)		

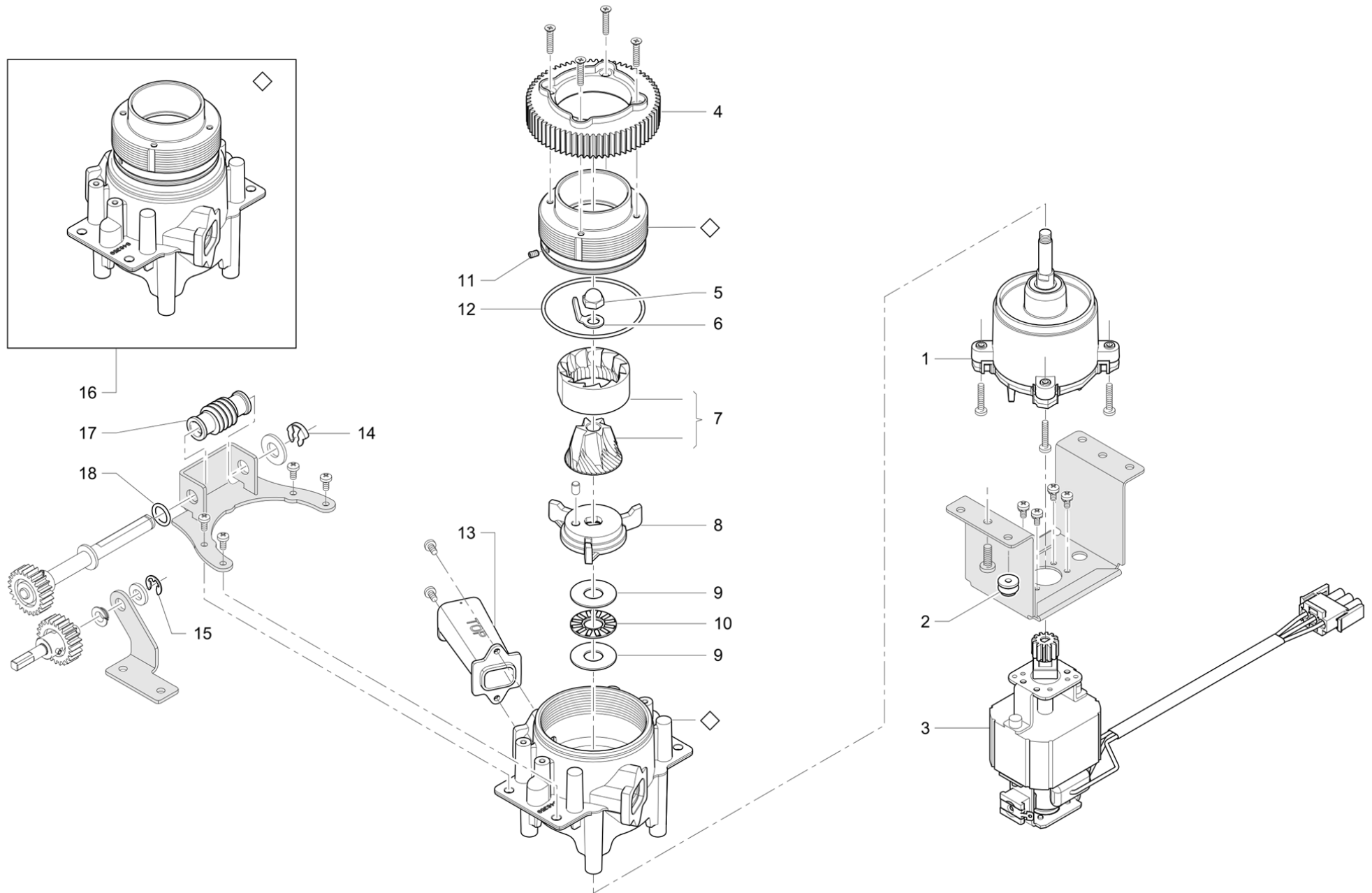




Pos	Part Number	Description	Validity	Notes
1	946803000	SOLUBLES HOPPER ASSEMBLY		
2	966181000	REAR FIXING CROWN		
3	966175000	SPIRAL PULLING PIN		
4	402215000	GASKET		
5	966174000	SOLUBLE DISPENSING SPRING - 9MM STEP		
6	530892410	STAR COUPLING GEARED MOTOR		
7	966176000	FORK PINION		
8	532715400	WASHER D. 8,4X17X1,6		
9	532745700	LOCKING RING		
10	966293000	TRACTION SPRING		
11	966178000	SOLUBLE CONTAINER CENTRING PIN		
12	940414000	NUT M3		
13	946047020	STAINLESS STEEL BLADES		
	⇒ 946047010	STAINLESS STEEL BLADES FOR SOLUBLES		
14	946048010	STIRRER PIN		
15	946046000	TOOTHED WHEEL FOR SOLUBLE MIXES		
16	946815000	SOLUBLES HOPPER W/ADAPTER		
17	966171000	PRODUCT EXIT SLIDE		
18	966172000	PRODUCT SLIDE CLOSING		
19	966182020	HOOK SLIDE PIN		
	⇒ 966182010	HOOK SLIDE PIN WITH RUVECO		
20	966241010	SOLUBLE HOPPER COVER		
21	966242000	SOLUBLE HOPPER ADAPTER		
22	966898000	CHOCOLATE HOPPER W/LOCK		
23	534194300	STANDARD LOCK		
24	946392000	SOLUBLE HOPPER COVER W/LOCK		
25	946395000	SOLUBLES HOPPER LOCK BASE		
26	946394000	SOLUBLE HOPPER ROD WITH LOCK		
27	946393000	SOLUBLE HOPPER WITH LOCK		



Pos	Part Number	Description	Validity	Notes
1	966241010	SOLUBLE HOPPER COVER		
2	946347000F	3 GRINDER HOPPER GRILLE		
3	946534000F	COFFEE HOPPER ASS. (THIRD GRINDER)		
4	966227000	SHUTTER SLIDE BUSHING		
5	946535000F	3 GRINDER SHUTTER ASS.		
6	946348000F	3 GRINDER HOPPER BASE		
7	946531000	ASSEMBLED UPPER PLATE WITH 3 GRINDERS		
8	532024800	MICROSWITCH		
9	940253000	MICROSWITCH INSULATING		



Pos	Part Number	Description	Validity	Notes
1	946949000	MOTOR GEAR AND 3 GRINDER SEAL ASSEMBLY		
2	532803100	RUEBLOC RUBBER M4X12,6		
3	946902000	MOTOR ASSEMBLY (THIRD GRINDER)		
4	946365000F	GRINDER ADJUSTMENT WHEEL		
5	969032000	NUT		
6	969031000	BLADE FOR GRINDER		
7	946358000F	PAIR OF GRINDERS (THIRD GRINDER)		
8	946357000F	LOWER GRINDER-HOLDER (THIRD GRINDER)		
9	969046000	WASHER		
10	969047000	ROLLERS AXIAL CAGE		
11	512603080	UNI5923 STAINLESS STEEL SCREW STEI M3X8		
12	401310000	O-RING		
13	946536000F	3 GRINDER DUCT ASS.		
14	532745700	LOCKING RING		
15	568305060	RING		
16	946970010	3 GRINDER RING NUT AND BODY ASSEMBLY		
	⇒ 946970000	3 GRINDER RING NUT AND BODY ASSEMBLY		
17	940087000	SCREW		
18	402195000	O-RING 9,25X1,78 NF		