

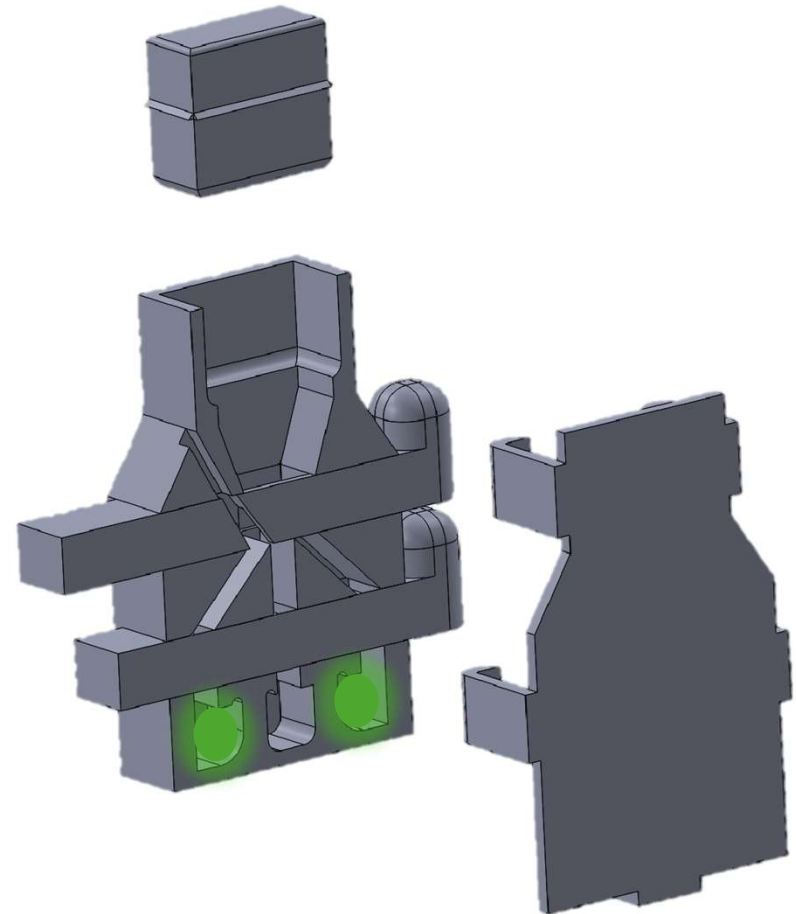


# CuraLux

**Technology info.**

**Precision you can count on.  
Access everyone deserves.**

CuraLux.Health



**An at-home diagnostic for chlamydia  
and gonorrhea.**

# The Problem & Solution

*The gap. The science. The answer.*

**45%**

of new STI infections are ages 15–24

*Kreisel et al., Sexually Transmitted Diseases, 2021 (CDC model)*

**24%**

of 18–24 year olds tested for CT/NG annually

*The science solves every barrier. Simultaneously.*

*Correlates of STI Testing, Prevention Science, 2021*

## THE OPPORTUNITY

**76% of the highest-risk group goes untested. CuraLux is built for them.**

### **Under \$50 • Same day • Phone app**

Under \$10 to produce. No prescription, no insurance, FSA/HSA eligible.

### **Instrument-free • Works anywhere**

No clinic. No appointment. No waiting room. At home, in a dorm, or in a clinic.

### **Completely private • CT + NG + Human control**

Order online. Test alone. Simultaneous CT + NG detection with human internal control.

### **PCR-equivalent sensitivity • Finds what you can't feel**

Up to 70% of CT infections are asymptomatic. CuraLux detects before symptoms appear.

# The Science

Built for accuracy, reliability, affordability, and a digital world.

**10-copy**

## Detection Limit

PCR-equivalent sensitivity

**US-2024  
0085406-A1**

## 2 Patent Applications

Instrument-free point-of-care diagnostic integrating reactions and detection in a hand-held device

**3-Track**

## CT · NG · Human Control

Simultaneous detection, one sealed device

## THE SCIENCE

# Diagnostics keeping up with a generation on the move.

### PCR-LEVEL SENSITIVITY, NO INSTRUMENT REQUIRED

#### Isothermal amplification at room temperature.

No thermal cycling. No instrument. Accurate results at room temperature — no lab required.

### PATHOGEN-SPECIFIC DETECTION WITH FLUORESCENT READOUT

#### Triggers only on the exact pathogen sequence.

Fluorescent result readable by anyone — no training, no technician, compatible with a phone.

### CuraLux DEVICE — FROM LABORATORY TO HOME

#### Lab-grade molecular biology in a consumer format.

Lyophilized reagents. Ambient shipping. 12+ month shelf life. Under \$10 to produce. No cold chain. No prescription. Off the shelf.

Accurate

Reliable

Affordable

Digital-first

# The Science

*Built for accuracy, reliability, affordability, and a digital world.*

**Injection Molded Device Body**

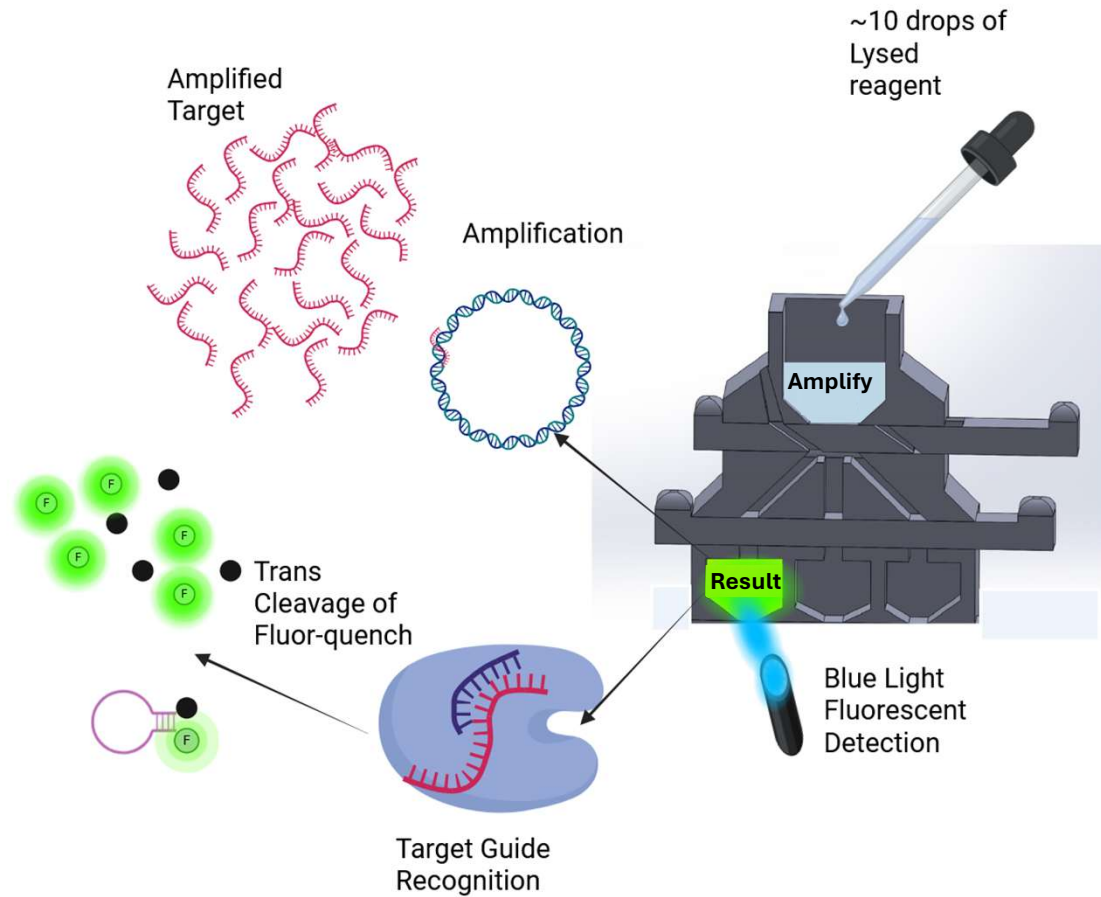
Mass produced in affordable quantities

**Lyophilized Reagents**

Over 12-month stability at RT

**Phone Integrated**

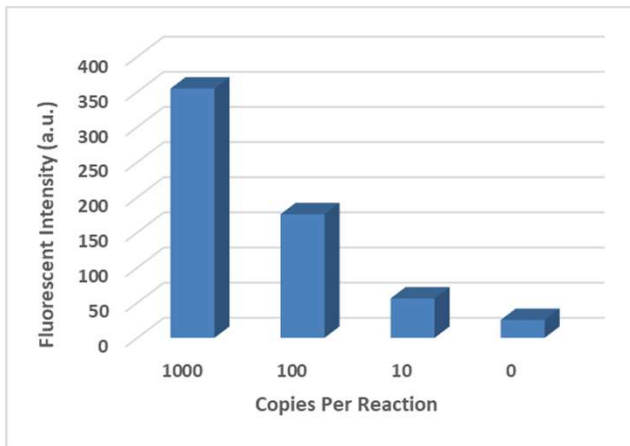
Instructions, result interpretation, and healthcare follow-up via app



The science is proven. The platform is validated. The market is ready.

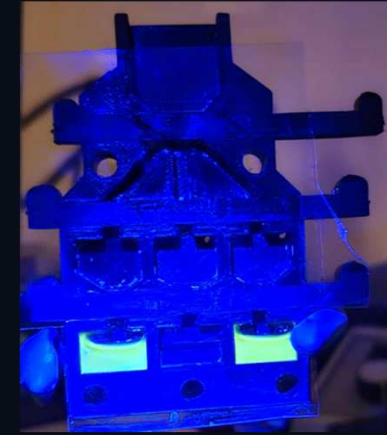
### 10-Copy Detection Limit

Fluorescent detection — preliminary data



### Working Prototype

Fluorescent signal confirmed in device wells



#### FOUNDATION INVESTMENT

\$800K — NIH contracts, NIH grant + internal investment

- P1 Contract: 75N93023C00056
- P2 Contract: 75N93025C00031-0-9999-1
- P1 Grant: 5R43AI179513-02

#### PEER-REVIEWED PUBLICATION

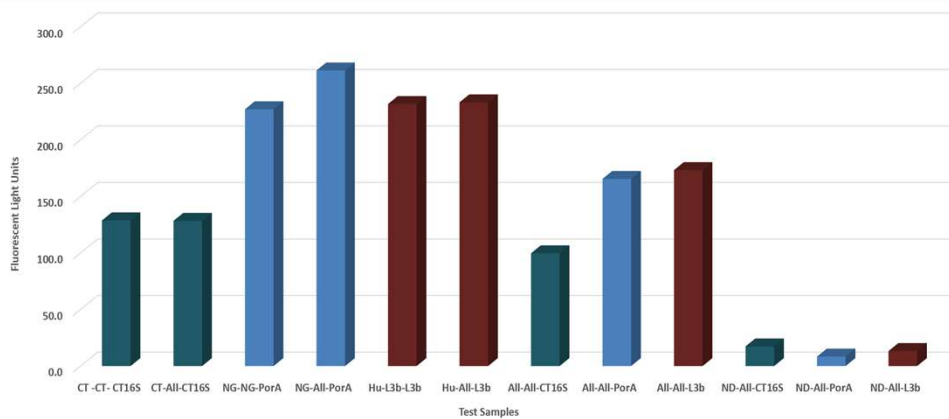
Wiggins TJ et al. (2024)

"Instrument-Free Point-of-Care Diagnostic for Leishmania Parasites" *Diagnostics* 14(23):2744 · doi:10.3390/diagnostics14232744

# Multiplexing solved. Device simplified.

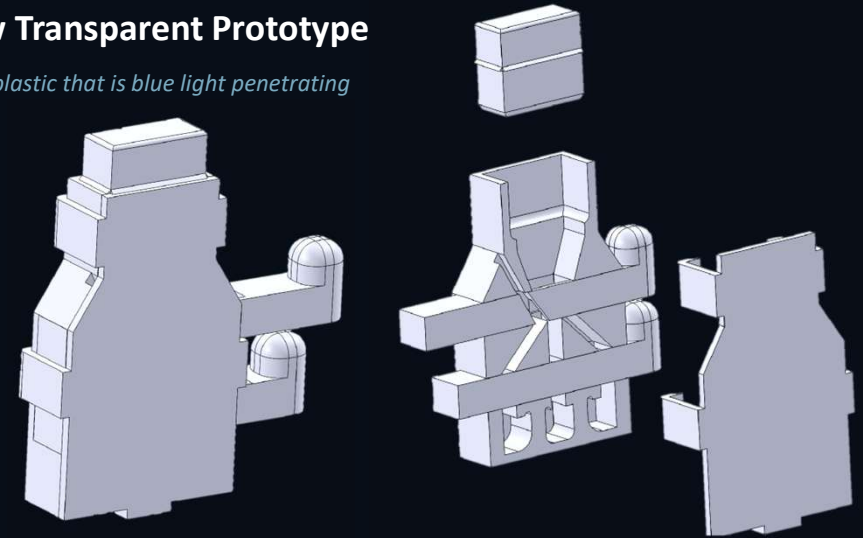
## Multiplexing

Fluorescent detection — preliminary data



## New Transparent Prototype

Clear plastic that is blue light penetrating



### MULTIPLEXING DATA

#### CT, NG, and human control detected in a single reaction

- Individual reactions resolve each target independently — no cross-interference, no separate reactions.

### DESIGN IMPACT

#### Multiplexing enabled a simpler, smaller device

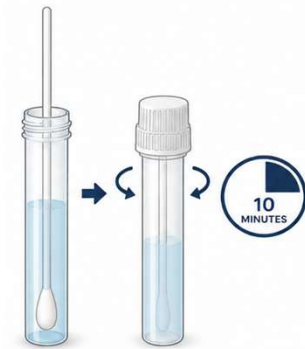
Fewer reaction chambers required — clear housing allows direct smartphone fluorescent readout. No instrument needed.

# CuraLux Diagnostic Testing Steps

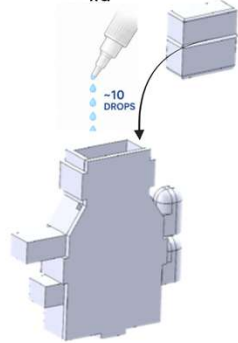
1 Self collect sample on swab



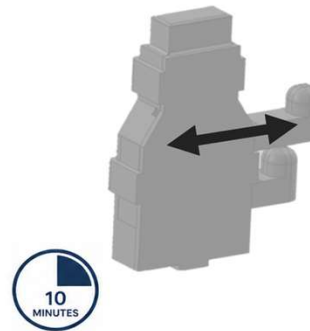
2 Add swab to lysis tube, cap and shake well, then wait 10 minutes



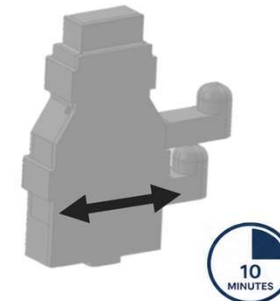
3 Put on dropper cap, add ~10 drops to device, and put on lid



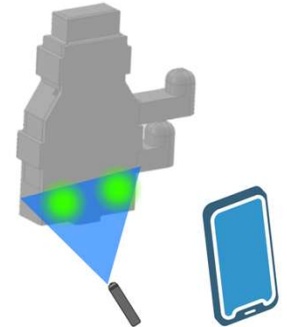
4 Open and close top valve, shake, and let the reaction go for 10 minutes



5 Open and close bottom valve, shake, and let the reaction go for 10 minutes



6 Shine blue light at the lower chambers for fluorescent signal. Capture picture of glowing wells for phone app. analysis



~30 min

Sample to result, start to finish

2-stage reaction · 1 device

— no pipetting between steps

Fluorescent readout

Higher sensitivity than lateral flow — phone camera reads directly

# The Competition

A validated market.  
A clear gap.

**\$149.99**

Visby retail price

3x CuraLux target price

**3–5 days**

Wait time for Mail-in tests

No same-day answer.

No same-day treatment.

**3 steps**

Sherlock platform

RPA + T7 transcription + Cas13a many steps + equipment

vs. CuraLux: 3 steps

## COMPETITIVE LANDSCAPE

The market is being validated. The gap is ours.

	Mail-in (Everlywell etc.)	Visby Medical	OraSure / Sherlock	CuraLux
Price	\$50–\$149	\$149.99	Undisclosed	<\$50 target
Same-day results	X	✓	✓	✓
Instrument-free	✓	✓	✓	✓
CT + NG detection	✓	✓	✓	✓
Human control	X	X	X	✓
All genders	✓	X	TBD	✓
Mfg. complexity	Low	High	Medium-High	Low

Visby validates the FDA pathway. OraSure validates the market. **CuraLux wins on price, simplicity, and coverage.**

TEAM & ADVISORS

# Deep scientific expertise. Built to execute.

FOUNDING TEAM

You?

**Currently Seeking**

**Chief Executive Officer**

- Diagnostic or Medical Device Commercialization Experience
- Capital Raising and Investor Relations
- Strategic Partnerships and Business Development
- Ability to Lead a Technical Team Without Being the Scientist



**Taralyn J. Wiggins, MS**

**Chief Operating Officer**

- Molecular biology, immunology & commercialization
- PhD candidate, Univ. of Miami
- 14+ years, Biological Mimetics Inc.
- NSF I-Corps — customer discovery & strategic planning



**Stephen J. Dollery, PhD**

**Chief Scientific Officer**

- Molecular structure, micro/immunology, genetics
- NIH & industry diagnostics experience
- Vaccines & translational discovery
- Multiple molecular detection platforms



**Gregory J. Tobin, PhD**

**Chief Technical Officer**

- Molecular biologist & immunologist
- 27 NIH & DoD grants/contracts
- 40 peer-reviewed publications
- 8 patents & applications

ADVISORY BOARD — INFORMATION



**Regulatory Advisor**

FDA 510K / Diagnostic Device

Seeking: Regulatory affairs expert with demonstrated experience navigating FDA clearance for molecular diagnostic devices.



**Clinical Advisor**

Sexual Health / Infectious Disease

Seeking: OB-GYN, ID physician, or STI clinic director to guide clinical validation design and champion institutional adoption.



**Commercial Advisor**

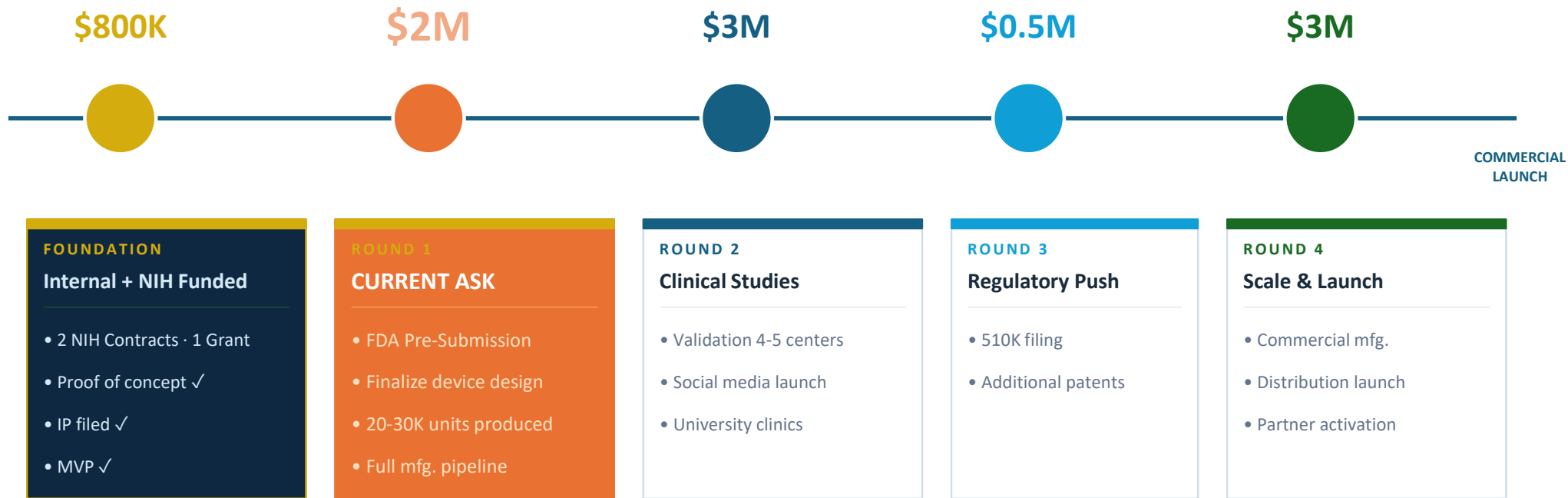
Consumer Diagnostics / Retail Launch

Seeking: Executive with demonstrated success launching consumer diagnostic products through retail and D2C channels.

INVESTMENT OPPORTUNITY

\$800K NIH-validated foundation. ~\$8.5M to market.

510K PATHWAY  
Visby + Sherlock predicates



KEY RISKS & MITIGATIONS

**FDA timeline slippage**

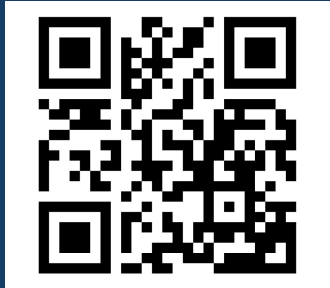
510K pathway de-risked by Visby + OraSure predicates. Q-Sub targets alignment before trials begin.

**Competitive timing**

OraSure/Sherlock lacks human control, all-gender validation, and modular platform. CuraLux differentiators hold post-clearance.

**Clinical validation**

Platform peer-reviewed and NIH-validated across multiple pathogens. Technology risk substantially de-risked.



*Precision you can count on. Access everyone deserves.*

**Every person deserves the same standard of care.  
Invest in the technology to make that possible.**

WEB [CuraLux.Health](https://CuraLux.Health)

EMAIL [info@curalux.health](mailto:info@curalux.health)

PHONE [301-378-2551](tel:301-378-2551)

**\$2M Seed Round — Now Open**

