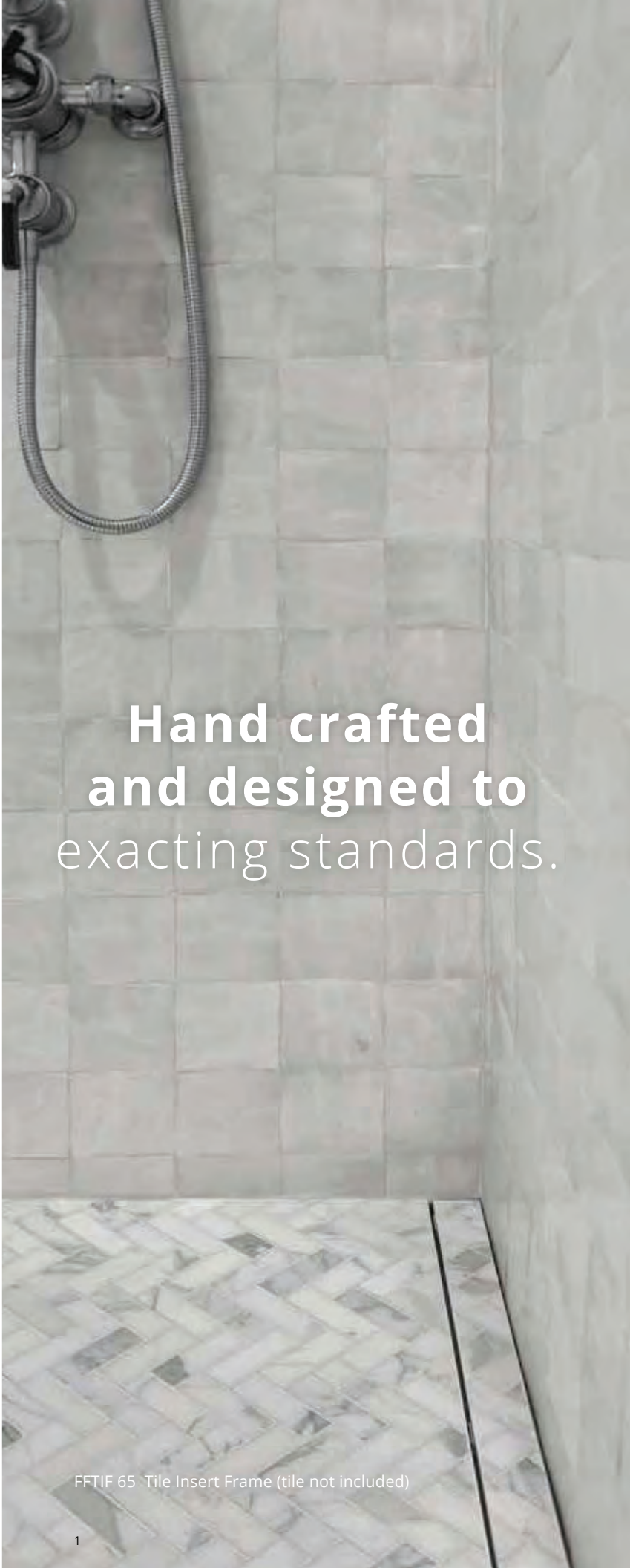


ID Infinity Drain®

Price List & Catalog • February 1, 2022

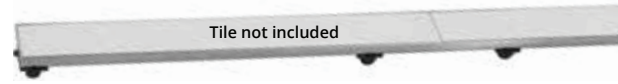


Hand crafted
and designed to
exacting standards.

Linear Drains

GRATE STYLES

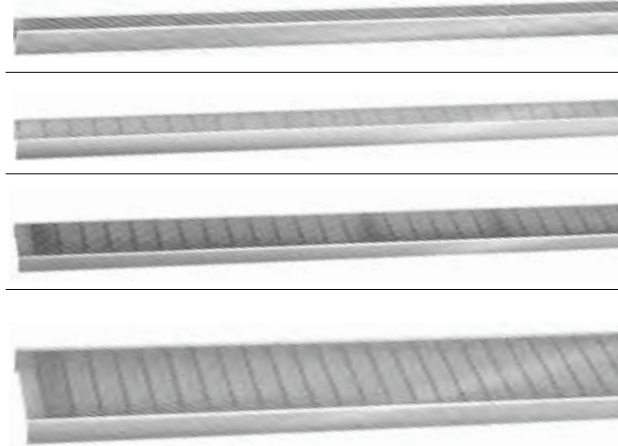
**Tile
Insert
Frame**



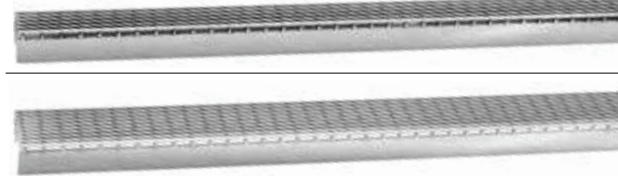
**Slot
Drain**



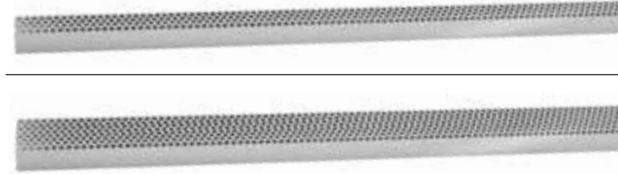
**2mm
Wedge
Wire**



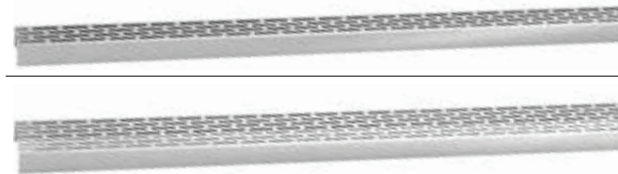
**3mm
Wedge
Wire**



Circle



**Offset
Slotted**



Slotted



Squares



Solid



FFTIF 65 Tile Insert Frame (tile not included)

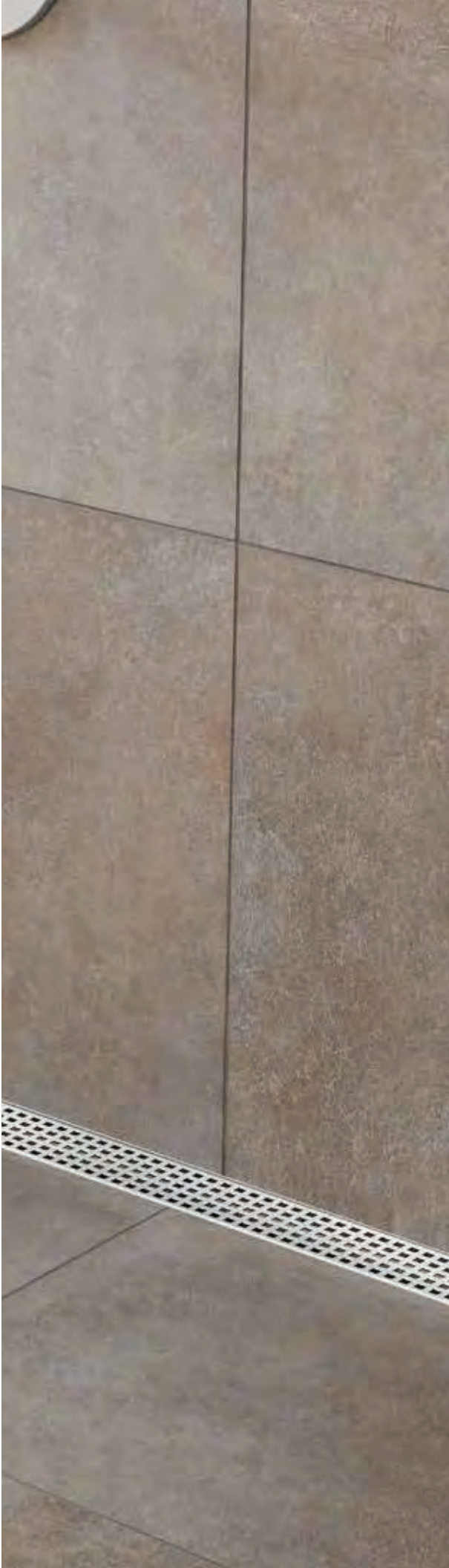
LINEAR DRAIN STYLE REFERENCE CHART

	Site Sizable [S]	Fixed Length [FX]	Fixed Flange [FF]	Side Outlet [FT]	Flange with Schluter® Kerdi [FCS]	Double Waterproofing [FCB]	Universal [U]
	Traditional Waterproofing		Liquid / Fabric Waterproofing		Schluter® Kerdi Waterproofing	Traditional and Liquid/Fabric	Traditional or Liquid/Fabric
	S-TIF 65 (pg 21) S-LTIF 65 (pg 22) S-TIFAS 65 (pg 27) S-TIFAS 99 (pg 28) S-LTIFAS 65 (pg 29) S-LTIFAS 99 (pg 30)	FXTIF 65 (pg 33) FXLTIF 65 (pg 33)	FFTIF 65 (pg 37)	FTTIF 65 (pg 49)	FCSTIF 65 (pg 41)	FCBTIF 65 (pg 45)	UTIF (pg 54)
			FFST (pg 40)		FCSST (pg 44)	FCBST (pg 48)	
			FFAS 25 (pg 39)		FCSAS 25 (pg 43)	FCBAS 25 (pg 47)	
	S-LAG 38 (pg 14)						
	S-LAG 65 (pg 16) S-AS 65 (pg 25) S-AS 99 (pg 26)	FXAS 65 (pg 35)	FFAS 65 (pg 37)	FTAS 65 (pg 49)	FCSAS 65 (pg 41)	FCBAS 65 (pg 45)	
	S-AG 100 (pg 23)	FXAS 125 (pg 36)	FFAS 125 (pg 39)		FCSAS 125 (pg 43)		
	S-AG 38 (pg 13)						
	S-AG 65 (pg 15)						
	S-DG 38 (pg 17)						
	S-DG 65 (pg 19)						
	S-LT 38 (pg 18)						
	S-LT 65 (pg 20)						
		FXIG 65 (pg 34)	FFIG 65 (pg 38)	FTIG 65 (pg 50)	FCSIG 65 (pg 42)	FCBIG 65 (pg 46)	
							USQ (pg 53)
		FXSG 65 (pg 34)	FFSG 65 (pg 38)	FTSG 65 (pg 50)	FCSSG 65 (pg 42)	FCBSG 65 (pg 46)	

Products available in Satin Stainless, Polished Stainless, Oil Rubbed Bronze, Satin Bronze, and Matte Black. Custom finishes available.



Brilliance
in water
management.



About Us

Why we do what we do. It's not about making linear or center drains — it's much bigger than that, with a more holistic perspective. It's about making a small difference in people's lives every day. Be it a power shower or a relaxing bath, we help create an environment to appreciate and be indulgent in. It's offering distinct details that combine to provide a more pleasing experience... stress free and without water management issues. Making one feel good about their bath surroundings whether staying at a boutique hotel, a towering luxury hotel, or one's own home. Infinity Drain, it's the complete package of very functional and yet, exquisitely beautiful.

Our Brand

Infinitely different. It's personal. We don't punch steel, we pursue passion, in every individual we hire, in every product we craft. The result — we call it the brand elevation factor. Whether that's artisans sculpting carefully considered flourishes, engineers striving for nano tolerances, or those who quality control and wrap each product, we believe that before the Infinity Drain logo is adorned, our higher standards of craftsmanship, care and devotion must go into it. With a rich resource of styles, finish options and size customization, design flexibility is built right in. And all offered with benchmark reliability. Simply put, it's our passion for design and our obsession for performance.

Made in the USA

A refreshing perspective on — We're here for you. Infinity Drain both designs and manufactures all our products in the United States. But we take it a step further by sourcing our raw materials from U.S. suppliers. This means faster turnaround, consistency in material, reliability in quality and a focus on your project first hand. All without worrying about unnecessary shipping and waiting. Our facility and atelier is in the heart of Long Island, New York. And we wouldn't have it any other way. You see, craftsmanship is born here. Service is born here. Discover the finest drains and waterproofing products here in America, for you.

CONTENTS

Linear Drains

New Products 09-10

[S] SERIES - PVC

Site Sizable PVC Series



Site Sizable® PVC (S) 11-23

S-AG 38	13
S-AG 65	15
S-DG 38	17
S-DG 65	19
S-TIF 65	21

Site Sizable® PVC Low Profile (S)

S-LAG 38	14
S-LAG 65	16
S-LT 38	18
S-LT 65	20
S-LTIF 65	22
S-AG 100	23

[S] SERIES - STAINLESS STEEL

Site Sizable® Stainless Steel Series



Site Sizable® Stainless Steel (S) 24-30

S-AS 65	25
S-TIFAS 65	27
S-LTIFAS 65 (Low Profile)	29

Site Sizable® Stainless Steel High Flow (S)

S-AS 99	26
S-TIFAS 99	28
S-LTIFAS 99 (Low Profile)	30

[FX] SERIES

Fixed Length Series



Fixed Series (FX) 31-36

FXAS 65	35
FXIG 65	34
FXSG 65	34
FXTIF 65	33
FHLTIF 65	33
FXAS 125	36

[FF] SERIES

Fixed Flange Series



Fixed Flange Series (FF) 37-40

FFAS 65	37
FFIG 65	38
FFSG 65	38
FFTIF 65	37
FFST	40
FFAS 25	39
FFAS 125	39

Linear Drains

[FCS] SERIES

Flange with Schluter® Kerdi Series



Fixed Flange Series with Kerdi (FCS)	41-44
FCSAS 65	41
FCSIG 65	42
FCSSG 65	42
FCSTIF 65	41
FCSST	44
FCSAS 25	43
FCSAS 125	43

[FCB] SERIES

Double Waterproofing Series



Double Waterproofing Series (FCB)	45-48
FCBAS 65	45
FCBIG 65	46
FCBSG 65	46
FCBTIF 65	45
FCBST	48
FCBAS 25	47

[FT] SERIES

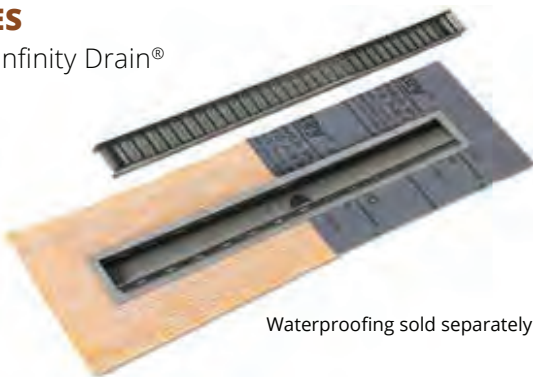
Side Outlet Series



Side Outlet Series (FT)	49-50
FTAS 65	49
FTIG 65	50
FTSG 65	50
FTTIF 65	49

[U] SERIES

Universal Infinity Drain®

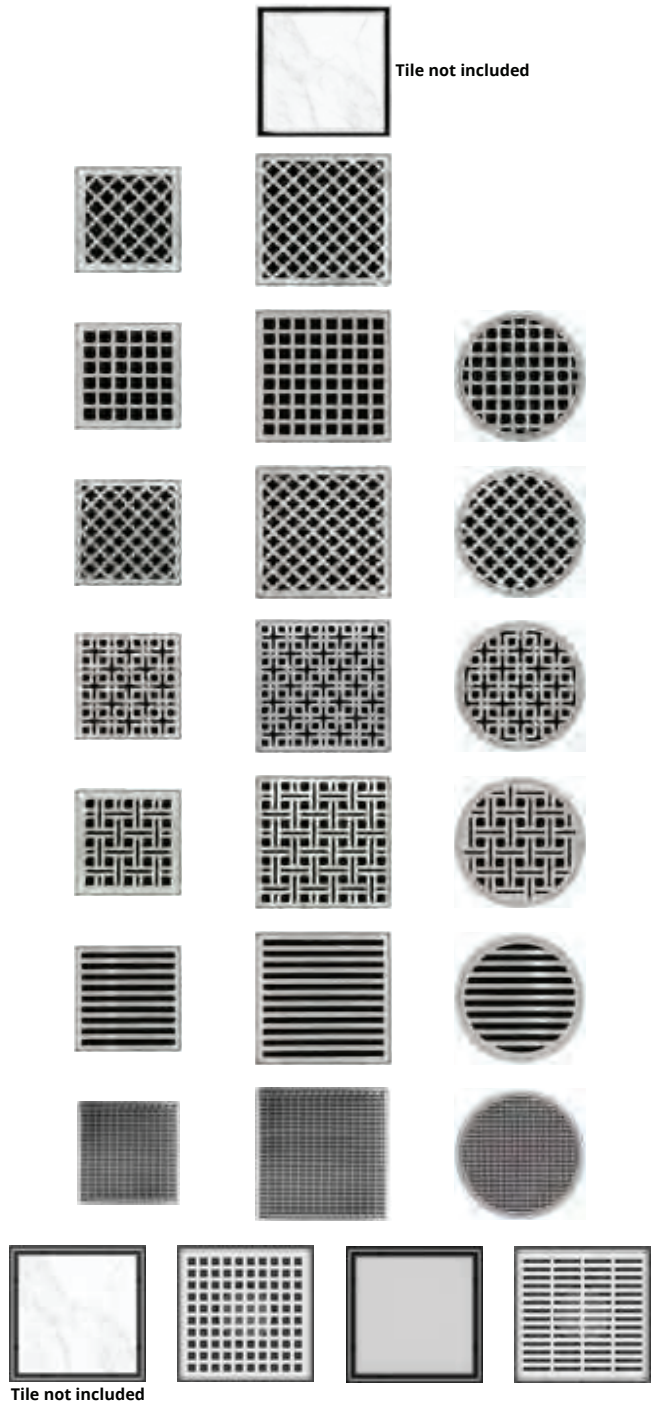


Universal Infinity Drain® Series (U)	51-54
USQ	53
UTIF	54

Waterproofing sold separately.



Center Drains



Tile Drain Series	57-60
TD 557
TD 1558
TDLF 1559
TDF 1560

Criss Cross Series	61-62
XD 461
XD 562

Squares Series	63-65
QD 463
QD 564
RQD 565

Moor Series	66-68
RMD 566
MD 467
MD 568

Link Series	69-71
KD 469
KD 570
RKD 571

Weave Series	72-74
RVD 572
VD 473
VD 574

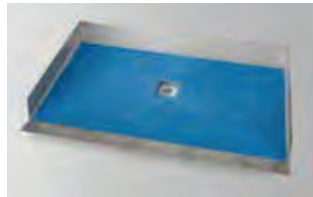
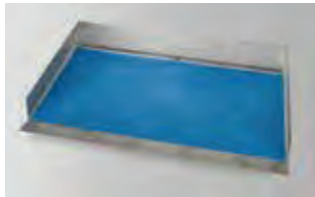
Lines Series	75-77
ND 475
ND 576
RND 577

Wedge Wire Series	78-80
RW 578
WD 479
WD 580

Pro-Series	81-86
LTD 583
LQD 584
LSD 585
LND 586



More Options Custom Solutions



Stainless Steel Shower Bases. 87-95

Center Shower Bases (BC) 89-92

Linear Shower Bases (BL) 93-95



Other Applications 96-107

Outdoor. 97-102

Lavatory/ Sink. 103

Spa/Locker Room. 104

Elevator. 105

Healthcare. 106

Folding/ Sliding Door System 107



Custom 108-125



Components 126-154



Drain Bodies and Bonded Flanges. 155-156



Parts 157-158

Hair Maintenance Kits 159-160

Displays 161-162

SKU Explanation 163

Icon Explanation 164



Installation 165-186

Linear Drain Guide 187-197

Glossary 198-201

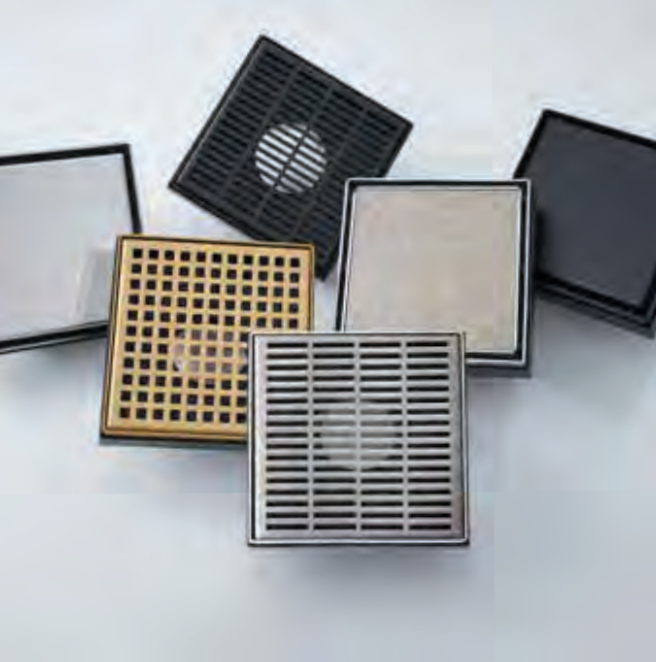
Terms and Conditions 202-210

Alpha Numeric Price Sheet & Index. 211-236

NEW PRODUCTS



NEW Next Day Custom (page 111-114)



NEW Center Drain Pro-Series (page 81-86)



NEW Hair Maintenance Kits (page 191-192)

FEATURED PRODUCTS



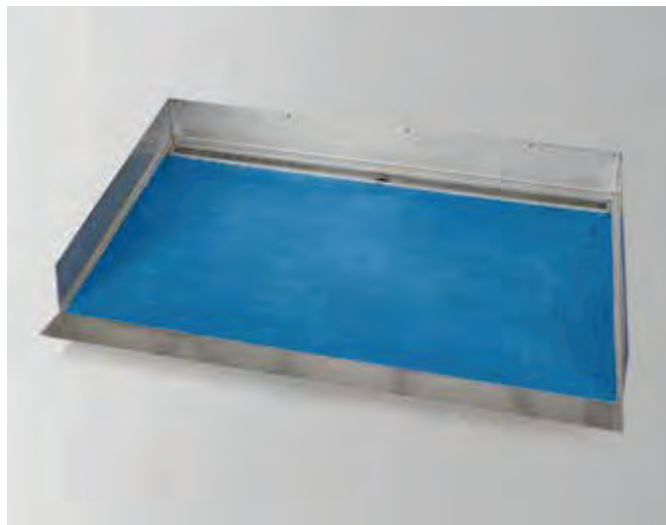
Universal Infinity Drain® - Compatible with traditional or liquid/fabric waterproofing (page 51-54)



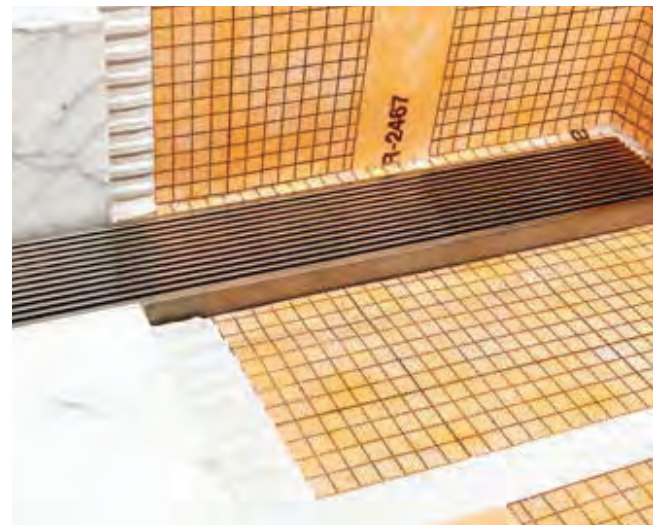
Slot Linear Drain (page 40,44,48)



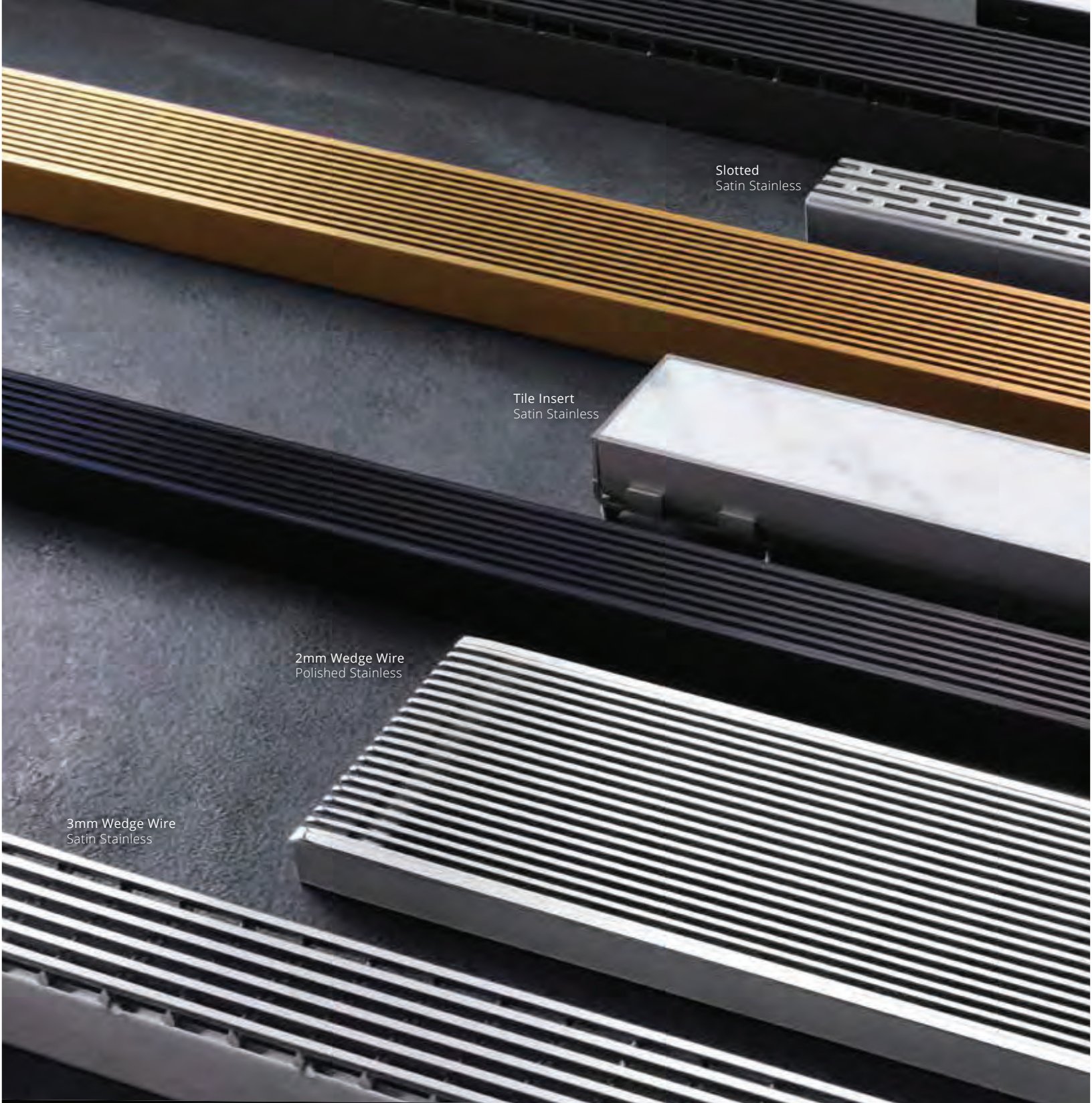
Low Profile Site Sizable® Linear Drain (pages 14,16,18,20,22)



Stainless Steel Shower Bases (page 87-95)



Linear Drain with Schlüter® Kerdi Waterproofing (page 41-44)



Slotted
Satin Stainless

Tile Insert
Satin Stainless

2mm Wedge Wire
Polished Stainless

3mm Wedge Wire
Satin Stainless

Purpose Driven.

Ready-built deliverability.

On-site durability.



Tile Insert
Matte Black

3mm Wedge Wire
Oil Rubbed Bronze

2mm Wedge Wire
Satin Bronze

2mm Wedge Wire
Matte Black

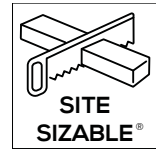
Site Sizable[®] Linear Drains With PVC Channels

I need it yesterday. Site Sizable[®] drains offers multiple length, width, floor height and outlet placement options ready to be used as is, or modified on-site. It's beauty above the surface and smart solutions below.

S-AG 38

Site Sizable® PVC Channel

3mm Wedge Wire Stainless Steel Grate



Technical Details	
Grate Material:	316L Stainless Steel
Channel Material:	PVC
Overall Width:	1 7/8"
Minimum Height:	2 1/8"
Flow Rate:	9 GPM

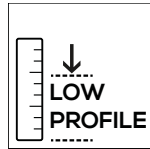
Section Detail	
	<p> (a) A 38 - Wedge Wire Grate (b) CT - Channel Trim (c) HB 32 - Hair Basket (d) E 38 - PVC Stop End (e) G 38 - PVC Channel (ships as one piece) (f) S 32 - PVC Outlet Section (g) S 50 - PVC Threaded Outlet (h) 2 inch clamp down drain assembly Not included in kit SKU. (Material can be Cast Iron, ABS, or PVC) </p> <p>Not shown: Channel Spacer</p>

CUT TO LENGTH, LOCATE OUTLET ANYWHERE ON CHANNEL

Hair Maintenance kit included
Learn more on pages 191-192

Description	Model	Finish	Lbs	List
36" Complete Kit Includes:				
1 - A 3836 Grate	S-AG 3836 SS	Satin Stainless	7	\$710
1 - G 3836 PVC Channel	S-AG 3836 PS	Polished Stainless		\$860
2 - E 38 PVC Stop End	S-AG 3836 ORB	Oil Rubbed Bronze		\$860
1 - S 32 PVC Outlet Section	S-AG 3836 SB	Satin Bronze		\$860
1 - CS 3836 Channel Spacer	S-AG 3836 BK	Matte Black		\$860
1 - S 50 PVC Threaded Outlet				
2 - CT 36 Channel Trim				
1 - HMK-38-A Hair Maintenance Kit:				
1 - HB 32 Hair Basket				
1 - AKEY Lift Out Key				
48" Complete Kit Includes:				
1 - A 3848 Grate	S-AG 3848 SS	Satin Stainless	9	\$925
1 - G 3848 PVC Channel	S-AG 3848 PS	Polished Stainless		\$1135
2 - E 38 PVC Stop End	S-AG 3848 ORB	Oil Rubbed Bronze		\$1135
1 - S 32 PVC Outlet Section	S-AG 3848 SB	Satin Bronze		\$1135
1 - CS 3848 Channel Spacer	S-AG 3848 BK	Matte Black		\$1135
1 - S 50 PVC Threaded Outlet				
2 - CT 48 Channel Trim				
1 - HMK-38-A Hair Maintenance Kit:				
1 - HB 32 Hair Basket				
1 - AKEY Lift Out Key				
60" Complete Kit Includes:				
1 - A 3860 Grate	S-AG 3860 SS	Satin Stainless	11	\$1145
1 - G 3860 PVC Channel	S-AG 3860 PS	Polished Stainless		\$1405
2 - E 38 PVC Stop End	S-AG 3860 ORB	Oil Rubbed Bronze		\$1405
1 - S 32 PVC Outlet Section	S-AG 3860 SB	Satin Bronze		\$1405
1 - CS 3860 Channel Spacer	S-AG 3860 BK	Matte Black		\$1405
1 - S 50 PVC Threaded Outlet				
2 - CT 60 Channel Trim				
1 - HMK-38-A Hair Maintenance Kit:				
1 - HB 32 Hair Basket				
1 - AKEY Lift Out Key				
72" Complete Kit Includes:				
1 - A 3872 Grate	S-AG 3872 SS	Satin Stainless	18	\$1395
1 - G 3872 PVC Channel	S-AG 3872 PS	Polished Stainless		\$1705
2 - E 38 PVC Stop End	S-AG 3872 ORB	Oil Rubbed Bronze		\$1705
2 - S 32 PVC Outlet Section	S-AG 3872 SB	Satin Bronze		\$1705
1 - CS 3872 Channel Spacer	S-AG 3872 BK	Matte Black		\$1705
2 - S 50 PVC Threaded Outlet				
2 - CT 72 Channel Trim				
1 - HMK-38-2A Hair Maintenance Kit:				
2 - HB 32 Hair Basket				
1 - AKEY Lift Out Key				
	(Two outlets)			
96" Complete Kit Includes:				
2 - A 3848 Grate	S-AG 3896 SS	Satin Stainless	22	\$1845
1 - G 3896 PVC Channel	S-AG 3896 PS	Polished Stainless		\$2255
2 - E 38 PVC Stop End	S-AG 3896 ORB	Oil Rubbed Bronze		\$2255
2 - S 32 PVC Outlet Section	S-AG 3896 SB	Satin Bronze		\$2255
1 - CS 3896 Channel Spacer	S-AG 3896 BK	Matte Black		\$2255
2 - S 50 PVC Threaded Outlet				
2 - CT 96 Channel Trim				
1 - HMK-38-2A Hair Maintenance Kit:				
2 - HB 32 Hair Basket				
1 - AKEY Lift Out Key				
	(Two outlets)			
	Drain Body not included in kit SKU. If not provided, add...	CDI 22 - Cast Iron 2" throat, 2" no hub connect	4	\$85
		CDIH 22 - (For Hot Mop) Cast Iron 2" throat, 2" no hub connect	4	\$85
		CDA 22 - ABS 2" throat, 2" standard connect	2	\$65
		CDP 22 - PVC 2" throat, 2" standard connect	2	\$65

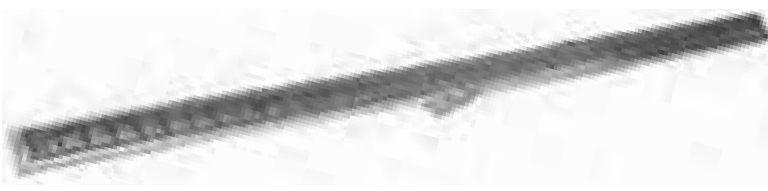

*See page 189 for more information on flow rates. • See page 127-128 for individual components. • See page 228 for shipping dimensions.



S-LAG 38

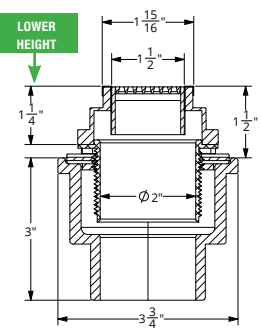
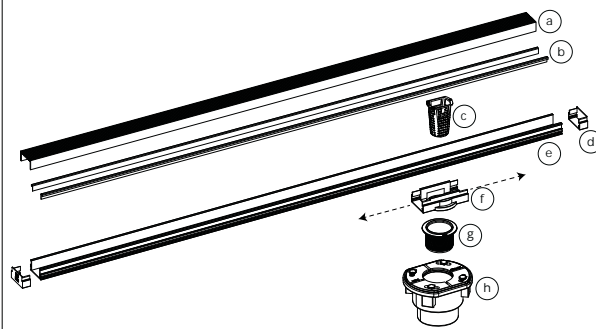
Site Sizable® PVC Channel 2mm Wedge Wire Stainless Steel Grate


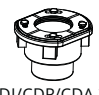
Technical Details	
Grate Material:	316L Stainless Steel
Channel Material:	PVC
Overall Width:	1 15/16"
Minimum Height:	1 1/2"
Flow Rate:	9 GPM

CUT TO LENGTH, LOCATE OUTLET ANYWHERE ON CHANNEL

Hair Maintenance kit included
Learn more on pages 191-192

Section Detail	
	 <ul style="list-style-type: none"> (a) SA 38 - Wedge Wire Grate (b) CT - Channel Trim (c) HB 32 - Hair Basket (d) EL 38 - PVC Stop End (e) GL 38 - PVC Channel (ships as one piece) (f) SL 32 - PVC Outlet Section (g) S 50 - PVC Threaded Outlet (h) 2 inch clamp down drain assembly Not included in kit SKU. (Material can be Cast Iron, ABS, or PVC) <p>Not shown: Channel Spacer</p>

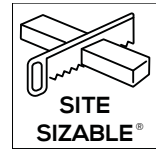
Description	Model	Finish	Lbs	List
36" Complete Kit Includes:				
1 - SA 3836 Grate	S-LAG 3836 SS	Satin Stainless	7	\$710
1 - GL 3836 PVC Channel	S-LAG 3836 PS	Polished Stainless		\$860
2 - EL 38 PVC Stop End	S-LAG 3836 ORB	Oil Rubbed Bronze		\$860
1 - SL 32 PVC Outlet Section	S-LAG 3836 SB	Satin Bronze		\$860
1 - CS 3836 Channel Spacer	S-LAG 3836 BK	Matte Black		\$860
1 - S 50 PVC Threaded Outlet				
2 - CT 36 Channel Trim				
1 - HMK-38-A Hair Maintenance Kit:				
1 - HB 32 Hair Basket				
1 - AKEY Lift Out Key				
48" Complete Kit Includes:				
1 - SA 3848 Grate	S-LAG 3848 SS	Satin Stainless	9	\$925
1 - GL 3848 PVC Channel	S-LAG 3848 PS	Polished Stainless		\$1135
2 - EL 38 PVC Stop End	S-LAG 3848 ORB	Oil Rubbed Bronze		\$1135
1 - SL 32 PVC Outlet Section	S-LAG 3848 SB	Satin Bronze		\$1135
1 - CS 3848 Channel Spacer	S-LAG 3848 BK	Matte Black		\$1135
1 - S 50 PVC Threaded Outlet				
2 - CT 48 Channel Trim				
1 - HMK-38-A Hair Maintenance Kit:				
1 - HB 32 Hair Basket				
1 - AKEY Lift Out Key				
60" Complete Kit Includes:				
1 - SA 3860 Grate	S-LAG 3860 SS	Satin Stainless	11	\$1145
1 - GL 3860 PVC Channel	S-LAG 3860 PS	Polished Stainless		\$1405
2 - EL 38 PVC Stop End	S-LAG 3860 ORB	Oil Rubbed Bronze		\$1405
1 - SL 32 PVC Outlet Section	S-LAG 3860 SB	Satin Bronze		\$1405
1 - CS 3860 Channel Spacer	S-LAG 3860 BK	Matte Black		\$1405
1 - S 50 PVC Threaded Outlet				
2 - CT 60 Channel Trim				
1 - HMK-38-A Hair Maintenance Kit:				
1 - HB 32 Hair Basket				
1 - AKEY Lift Out Key				
72" Complete Kit Includes:				
1 - SA 3872 Grate	S-LAG 3872 SS	Satin Stainless	18	\$1395
1 - GL 3872 PVC Channel	S-LAG 3872 PS	Polished Stainless		\$1705
2 - EL 38 PVC Stop End	S-LAG 3872 ORB	Oil Rubbed Bronze		\$1705
2 - SL 32 PVC Outlet Section	S-LAG 3872 SB	Satin Bronze		\$1705
1 - CS 3872 Channel Spacer	S-LAG 3872 BK	Matte Black		\$1705
2 - S 50 PVC Threaded Outlet				
2 - CT 72 Channel Trim				
1 - HMK-38-2A Hair Maintenance Kit:				
2 - HB 32 Hair Basket				
1 - AKEY Lift Out Key				
	(Two outlets)			
96" Complete Kit Includes:				
2 - SA 3848 Grate	S-LAG 3896 SS	Satin Stainless	22	\$1845
1 - GL 3896 PVC Channel	S-LAG 3896 PS	Polished Stainless		\$2255
2 - EL 38 PVC Stop End	S-LAG 3896 ORB	Oil Rubbed Bronze		\$2255
2 - SL 32 PVC Outlet Section	S-LAG 3896 SB	Satin Bronze		\$2255
1 - CS 3896 Channel Spacer	S-LAG 3896 BK	Matte Black		\$2255
2 - S 50 PVC Threaded Outlet				
2 - CT 96 Channel Trim				
1 - HMK-38-2A Hair Maintenance Kit:				
2 - HB 32 Hair Basket				
1 - AKEY Lift Out Key				
	(Two outlets)			
	Drain Body not included in kit SKU if not provided, add...	CDI 22 - Cast Iron 2" throat, 2" no hub connect	4	\$85
		CDIH 22 - (For Hot Mop) Cast Iron 2" throat, 2" no hub connect	4	\$85
		CDA 22 - ABS 2" throat, 2" standard connect	2	\$65
		CDP 22 - PVC 2" throat, 2" standard connect	2	\$65

*See page 189 for more information on flow rates. • See page 129-130 for individual components. • See page 229 for shipping dimensions.

S-AG 65

Site Sizable® PVC Channel

3mm Wedge Wire Stainless Steel Grate



Technical Details	
Grate Material:	316L Stainless Steel
Channel Material:	PVC
Overall Width:	2 15/16"
Minimum Height:	2 1/8"
Flow Rate:	9 GPM

CUT TO LENGTH, LOCATE OUTLET ANYWHERE ON CHANNEL

Hair Maintenance kit included
Learn more on pages 191-192

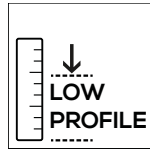
Section Detail

- (a) A 65 - Wedge Wire Grate
- (b) CT - Channel Trim
- (c) HB 65 - Hair Basket
- (d) E 65 - PVC Stop End
- (e) G 65 - PVC Channel (ships as one piece)
- (f) S 65 - PVC Outlet Section
- (g) S 50 - PVC Threaded Outlet
- (h) 2 inch clamp down drain assembly
*Not included in kit SKU.
(Material can be Cast Iron, ABS, or PVC)*

Not shown: Channel Spacer

Description	Model	Finish	Lbs	List
36" Complete Kit Includes:				
1 - A 6536 Grate	S-AG 6536 SS	Satin Stainless	7	\$875
1 - G 6536 PVC Channel	S-AG 6536 PS	Polished Stainless		\$1025
2 - E 65 PVC Stop End	S-AG 6536 ORB	Oil Rubbed Bronze		\$1025
1 - S 65 PVC Outlet Section	S-AG 6536 SB	Satin Bronze		\$1025
1 - CS 6536 Channel Spacer	S-AG 6536 BK	Matte Black		\$1025
1 - S 50 PVC Threaded Outlet				
2 - CT 36 Channel Trim				
1 - HMK-65-A Hair Maintenance Kit:				
1 - HB 65 Hair Basket				
1 - AKEY Lift Out Key				
48" Complete Kit Includes:				
1 - A 6548 Grate	S-AG 6548 SS	Satin Stainless	9	\$1145
1 - G 6548 PVC Channel	S-AG 6548 PS	Polished Stainless		\$1355
2 - E 65 PVC Stop End	S-AG 6548 ORB	Oil Rubbed Bronze		\$1355
1 - S 65 PVC Outlet Section	S-AG 6548 SB	Satin Bronze		\$1355
1 - CS 6548 Channel Spacer	S-AG 6548 BK	Matte Black		\$1355
1 - S 50 PVC Threaded Outlet				
2 - CT 48 Channel Trim				
1 - HMK-65-A Hair Maintenance Kit:				
1 - HB 65 Hair Basket				
1 - AKEY Lift Out Key				
60" Complete Kit Includes:				
1 - A 6560 Grate	S-AG 6560 SS	Satin Stainless	11	\$1420
1 - G 6560 PVC Channel	S-AG 6560 PS	Polished Stainless		\$1680
2 - E 65 PVC Stop End	S-AG 6560 ORB	Oil Rubbed Bronze		\$1680
1 - S 65 PVC Outlet Section	S-AG 6560 SB	Satin Bronze		\$1680
1 - CS 6560 Channel Spacer	S-AG 6560 BK	Matte Black		\$1680
1 - S 50 PVC Threaded Outlet				
2 - CT 60 Channel Trim				
1 - HMK-65-A Hair Maintenance Kit:				
1 - HB 65 Hair Basket				
1 - AKEY Lift Out Key				
72" Complete Kit Includes:				
1 - A 6572 Grate	S-AG 6572 SS	Satin Stainless	18	\$1725
1 - G 6572 PVC Channel	S-AG 6572 PS	Polished Stainless		\$2035
2 - E 65 PVC Stop End	S-AG 6572 ORB	Oil Rubbed Bronze		\$2035
2 - S 65 PVC Outlet Section	S-AG 6572 SB	Satin Bronze		\$2035
1 - CS 6572 Channel Spacer	S-AG 6572 BK	Matte Black		\$2035
2 - S 50 PVC Threaded Outlet				
2 - CT 72 Channel Trim				
1 - HMK-65-2A Hair Maintenance Kit:				
2 - HB 65 Hair Basket				
1 - AKEY Lift Out Key				
	(Two outlets)			
96" Complete Kit Includes:				
2 - A 6548 Grate	S-AG 6596 SS	Satin Stainless	22	\$2285
1 - G 6596 PVC Channel	S-AG 6596 PS	Polished Stainless		\$2695
2 - E 65 PVC Stop End	S-AG 6596 ORB	Oil Rubbed Bronze		\$2695
2 - S 65 PVC Outlet Section	S-AG 6596 SB	Satin Bronze		\$2695
1 - CS 6596 Channel Spacer	S-AG 6596 BK	Matte Black		\$2695
2 - S 50 PVC Threaded Outlet				
2 - CT 96 Channel Trim				
1 - HMK-65-2A Hair Maintenance Kit:				
2 - HB 65 Hair Basket				
1 - AKEY Lift Out Key				
	(Two outlets)			
	Drain Body not included in kit SKU. If not provided, add...	CDI 22 - Cast Iron 2" throat, 2" no hub connect	4	\$85
		CDIH 22 - (For Hot Mop) Cast Iron 2" throat, 2" no hub connect	4	\$85
		CDA 22 - ABS 2" throat, 2" standard connect	2	\$65
		CDP 22 - PVC 2" throat, 2" standard connect	2	\$65


*See page 189 for more information on flow rates. • See page 131-132 for individual components. • See page 228 for shipping dimensions.



S-LAG 65

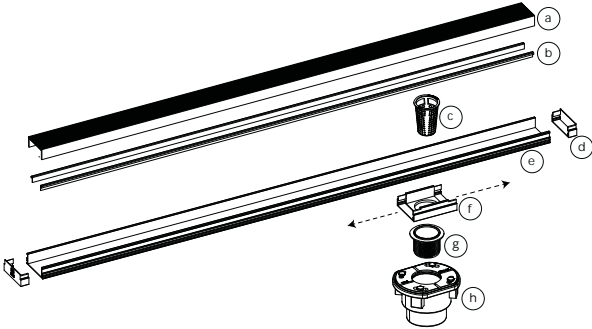
Site Sizable® PVC Channel 2mm Wedge Wire Stainless Steel Grate



Technical Details	
Grate Material:	316L Stainless Steel
Channel Material:	PVC
Overall Width:	2 15/16"
Minimum Height:	1 1/2"
Flow Rate:	9 GPM




CUT TO LENGTH, LOCATE OUTLET ANYWHERE ON CHANNEL

Hair Maintenance kit included
Learn more on pages 191-192

Section Detail	
	 <ul style="list-style-type: none"> (a) SA 65 - Wedge Wire Grate (b) CT - Channel Trim (c) HB 65 - Hair Basket (d) EL 65 - PVC Stop End (e) GL 65 - PVC Channel (ships as one piece) (f) SL 65 - PVC Outlet Section (g) S 50 - PVC Threaded Outlet (h) 2 inch clamp down drain assembly Not included in kit SKU. (Material can be Cast Iron, ABS, or PVC) <p>Not shown: Channel Spacer</p>

Description	Model	Finish	Lbs	List	
36" Complete Kit Includes:					
1 - SA 6536 Grate	1 - S 50 PVC Threaded Outlet	S-LAG 6536 SS	7	\$875	
1 - GL 6536 PVC Channel	2 - CT 36 Channel Trim	S-LAG 6536 PS		\$1025	
2 - EL 65 PVC Stop End	1 - HMK-65-A Hair Maintenance Kit:	S-LAG 6536 ORB		\$1025	
1 - SL 65 PVC Outlet Section	1 - HB 65 Hair Basket	S-LAG 6536 SB		\$1025	
1 - CS 6536 Channel Spacer	1 - AKEY Lift Out Key	S-LAG 6536 BK		\$1025	
48" Complete Kit Includes:					
1 - SA 6548 Grate	1 - S 50 PVC Threaded Outlet	S-LAG 6548 SS	9	\$1145	
1 - GL 6548 PVC Channel	2 - CT 48 Channel Trim	S-LAG 6548 PS		\$1355	
2 - EL 65 PVC Stop End	1 - HMK-65-A Hair Maintenance Kit:	S-LAG 6548 ORB		\$1355	
1 - SL 65 PVC Outlet Section	1 - HB 65 Hair Basket	S-LAG 6548 SB		\$1355	
1 - CS 6548 Channel Spacer	1 - AKEY Lift Out Key	S-LAG 6548 BK		\$1355	
60" Complete Kit Includes:					
1 - SA 6560 Grate	1 - S 50 PVC Threaded Outlet	S-LAG 6560 SS	11	\$1420	
1 - GL 6560 PVC Channel	2 - CT 60 Channel Trim	S-LAG 6560 PS		\$1680	
2 - EL 65 PVC Stop End	1 - HMK-65-A Hair Maintenance Kit:	S-LAG 6560 ORB		\$1680	
1 - SL 65 PVC Outlet Section	1 - HB 65 Hair Basket	S-LAG 6560 SB		\$1680	
1 - CS 6560 Channel Spacer	1 - AKEY Lift Out Key	S-LAG 6560 BK		\$1680	
72" Complete Kit Includes:					
1 - SA 6572 Grate	2 - S 50 PVC Threaded Outlet	S-LAG 6572 SS	18	\$1725	
1 - GL 6572 PVC Channel	2 - CT 72 Channel Trim	S-LAG 6572 PS		\$2035	
2 - EL 65 PVC Stop End	1 - HMK-65-2A Hair Maintenance Kit:	S-LAG 6572 ORB		\$2035	
2 - SL 65 PVC Outlet Section	2 - HB 65 Hair Basket	S-LAG 6572 SB		\$2035	
1 - CS 6572 Channel Spacer	1 - AKEY Lift Out Key	S-LAG 6572 BK		\$2035	
		(Two outlets)			
96" Complete Kit Includes:					
2 - SA 6548 Grate	2 - S 50 PVC Threaded Outlet	S-LAG 6596 SS	22	\$2285	
1 - GL 6596 PVC Channel	2 - CT 96 Channel Trim	S-LAG 6596 PS		\$2695	
2 - EL 65 PVC Stop End	1 - HMK-65-2A Hair Maintenance Kit:	S-LAG 6596 ORB		\$2695	
2 - SL 65 PVC Outlet Section	2 - HB 65 Hair Basket	S-LAG 6596 SB		\$2695	
1 - CS 6596 Channel Spacer	1 - AKEY Lift Out Key	S-LAG 6596 BK		\$2695	
		(Two outlets)			
		Drain Body not included in kit SKU if not provided, add...	CDI 22 - Cast Iron 2" throat, 2" no hub connect	4	\$85
			CDIH 22 - (For Hot Mop) Cast Iron 2" throat, 2" no hub connect	4	\$85
			CDA 22 - ABS 2" throat, 2" standard connect	2	\$65
			CDP 22 - PVC 2" throat, 2" standard connect	2	\$65

*See page 189 for more information on flow rates. • See page 133-134 for individual components. • See page 229 for shipping dimensions.

S-DG 38

Site Sizable® PVC Channel Circle Stainless Steel Grate



Technical Details	
Grate Material:	16 Gauge 304L Stainless Steel
Channel Material:	PVC
Overall Width:	1 7/8"
Minimum Height:	2 1/8"
Flow Rate:	9 GPM

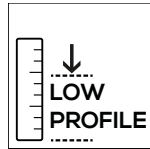
Section Detail	
	<ul style="list-style-type: none"> (a) D 38 - Stainless Steel Grate (b) CT - Channel Trim (c) HB 32 - Hair Basket (d) E 38 - PVC Stop End (e) G 38 - PVC Channel (ships as one piece) (f) S 32 - PVC Outlet Section (g) S 50 - PVC Threaded Outlet (h) 2 inch clamp down drain assembly Not included in kit SKU. (Material can be Cast Iron, ABS, or PVC) <p>Not shown: Channel Spacer</p>

CUT TO LENGTH, LOCATE OUTLET ANYWHERE ON CHANNEL

Hair Maintenance kit included
Learn more on pages 191-192

Description	Model	Finish	Lbs	List
48" Complete Kit Includes:				
1 - D 3848 Grate	S-DG 3848 SS	Satin Stainless	9	\$425
1 - G 3848 PVC Channel	S-DG 3848 PS	Polished Stainless		\$615
2 - E 38 PVC Stop End	S-DG 3848 ORB	Oil Rubbed Bronze		\$615
1 - S 32 PVC Outlet Section	S-DG 3848 SB	Satin Bronze		\$615
1 - CS 3848 Channel Spacer	S-DG 3848 BK	Matte Black		\$615
1 - S 50 PVC Threaded Outlet				
2 - CT 48 Channel Trim				
1 - HMK-38-D Hair Maintenance Kit:				
1 - HB 32 Hair Basket				
1 - DKEY Lift Out Key				
60" Complete Kit Includes:				
1 - D 3860 Grate	S-DG 3860 SS	Satin Stainless	11	\$520
1 - G 3860 PVC Channel	S-DG 3860 PS	Polished Stainless		\$755
2 - E 38 PVC Stop End	S-DG 3860 ORB	Oil Rubbed Bronze		\$755
1 - S 32 PVC Outlet Section	S-DG 3860 SB	Satin Bronze		\$755
1 - CS 3860 Channel Spacer	S-DG 3860 BK	Matte Black		\$755
1 - S 50 PVC Threaded Outlet				
2 - CT 60 Channel Trim				
1 - HMK-38-D Hair Maintenance Kit:				
1 - HB 32 Hair Basket				
1 - DKEY Lift Out Key				
96" Complete Kit Includes:				
1 - D 3896 Grate	S-DG 3896 SS	Satin Stainless	22	\$845
1 - G 3896 PVC Channel	S-DG 3896 PS	Polished Stainless		\$1215
2 - E 38 PVC Stop End	S-DG 3896 ORB	Oil Rubbed Bronze		\$1215
2 - S 32 PVC Outlet Section	S-DG 3896 SB	Satin Bronze		\$1215
1 - CS 3896 Channel Spacer	S-DG 3896 BK	Matte Black		\$1215
2 - S 50 PVC Threaded Outlet				
2 - CT 96 Channel Trim				
1 - HMK-38-2D Hair Maintenance Kit:				
2 - HB 32 Hair Basket				
1 - DKEY Lift Out Key				
	(Two outlets)			
	Drain Body not included in kit SKU. If not provided, add...	CDI 22 - Cast Iron 2" throat, 2" no hub connect	4	\$85
		CDIH 22 - (For Hot Mop) Cast Iron 2" throat, 2" no hub connect	4	\$85
		CDA 22 - ABS 2" throat, 2" standard connect	2	\$65
		CDP 22 - PVC 2" throat, 2" standard connect	2	\$65



*See page 189 for more information on flow rates. • See page 127-128 for individual components. • See pages 228 for shipping dimensions.



S-LT 38

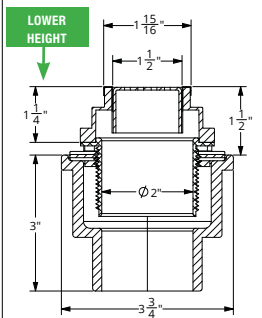
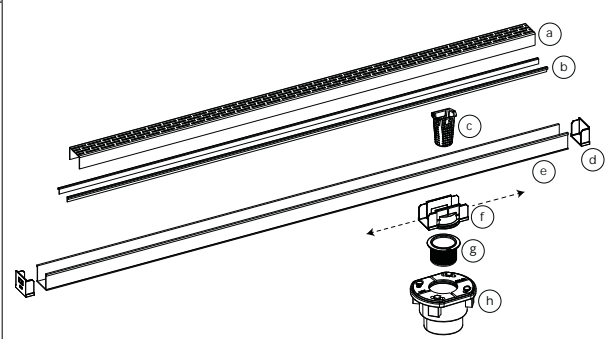
Site Sizable® PVC Channel Offset Slotted Stainless Steel Grate



Technical Details	
Grate Material:	16 Gauge 304L Stainless Steel
Channel Material:	PVC
Overall Width:	1 15/16"
Minimum Height:	1 1/2"
Flow Rate:	9 GPM

CUT TO LENGTH, LOCATE OUTLET ANYWHERE ON CHANNEL

Hair Maintenance kit included
Learn more on pages 191-192

Section Detail	
 <p>LOWER HEIGHT</p>	 <ul style="list-style-type: none"> (a) KA 38 - Stainless Steel Grate (b) CT - Channel Trim (c) HB 32 - Hair Basket (d) EL 38 - PVC Stop End (e) GL 38 - PVC Channel (ships as one piece) (f) SL 32 - PVC Outlet Section (g) S 50 - PVC Threaded Outlet (h) 2 inch clamp down drain assembly Not included in kit SKU. (Material can be Cast Iron, ABS, or PVC) <p>Not shown: Channel Spacer</p>

Description	Model	Finish	Lbs	List
36" Complete Kit Includes:				
1 - KA 3836 Grate	S-LT 3836 SS	Satin Stainless	7	\$335
1 - GL 3836 PVC Channel	S-LT 3836 PS	Polished Stainless		\$470
2 - EL 38 PVC Stop End	S-LT 3836 ORB	Oil Rubbed Bronze		\$470
1 - SL 32 PVC Outlet Section	S-LT 3836 SB	Satin Bronze		\$470
1 - CS 3836 Channel Spacer	S-LT 3836 BK	Matte Black		\$470
1 - S 50 PVC Threaded Outlet				
2 - CT 36 Channel Trim				
1 - HMK-38-A Hair Maintenance Kit:				
1 - HB 32 Hair Basket				
1 - AKEY Lift Out Key				
48" Complete Kit Includes:				
1 - KA 3848 Grate	S-LT 3848 SS	Satin Stainless	9	\$425
1 - GL 3848 PVC Channel	S-LT 3848 PS	Polished Stainless		\$615
2 - EL 38 PVC Stop End	S-LT 3848 ORB	Oil Rubbed Bronze		\$615
1 - SL 32 PVC Outlet Section	S-LT 3848 SB	Satin Bronze		\$615
1 - CS 3848 Channel Spacer	S-LT 3848 BK	Matte Black		\$615
1 - S 50 PVC Threaded Outlet				
2 - CT 48 Channel Trim				
1 - HMK-38-A Hair Maintenance Kit:				
1 - HB 32 Hair Basket				
1 - AKEY Lift Out Key				
60" Complete Kit Includes:				
1 - KA 3860 Grate	S-LT 3860 SS	Satin Stainless	11	\$520
1 - GL 3860 PVC Channel	S-LT 3860 PS	Polished Stainless		\$755
2 - EL 38 PVC Stop End	S-LT 3860 ORB	Oil Rubbed Bronze		\$755
1 - SL 32 PVC Outlet Section	S-LT 3860 SB	Satin Bronze		\$755
1 - CS 3860 Channel Spacer	S-LT 3860 BK	Matte Black		\$755
1 - S 50 PVC Threaded Outlet				
2 - CT 60 Channel Trim				
1 - HMK-38-A Hair Maintenance Kit:				
1 - HB 32 Hair Basket				
1 - AKEY Lift Out Key				
72" Complete Kit Includes:				
1 - KA 3872 Grate	S-LT 3872 SS	Satin Stainless	18	\$645
1 - GL 3872 PVC Channel	S-LT 3872 PS	Polished Stainless		\$925
2 - EL 38 PVC Stop End	S-LT 3872 ORB	Oil Rubbed Bronze		\$925
2 - SL 32 PVC Outlet Section	S-LT 3872 SB	Satin Bronze		\$925
1 - CS 3872 Channel Spacer	S-LT 3872 BK	Matte Black		\$925
2 - S 50 PVC Threaded Outlet				
2 - CT 72 Channel Trim				
1 - HMK-38-A Hair Maintenance Kit:				
1 - HB 32 Hair Basket				
1 - AKEY Lift Out Key				
	(Two outlets)			
96" Complete Kit Includes:				
1 - KA 3896 Grate	S-LT 3896 SS	Satin Stainless	22	\$845
1 - GL 3896 PVC Channel	S-LT 3896 PS	Polished Stainless		\$1215
2 - EL 38 PVC Stop End	S-LT 3896 ORB	Oil Rubbed Bronze		\$1215
2 - SL 32 PVC Outlet Section	S-LT 3896 SB	Satin Bronze		\$1215
1 - CS 3896 Channel Spacer	S-LT 3896 BK	Matte Black		\$1215
2 - S 50 PVC Threaded Outlet				
2 - CT 96 Channel Trim				
1 - HMK-38-A Hair Maintenance Kit:				
1 - HB 32 Hair Basket				
1 - AKEY Lift Out Key				
	(Two outlets)			
	Drain Body not included in kit SKU If not provided, add...	CDI 22 - Cast Iron 2" throat, 2" no hub connect	4	\$85
		CDIH 22 - (For Hot Mop) Cast Iron 2" throat, 2" no hub connect	4	\$85
		CDA 22 - ABS 2" throat, 2" standard connect	2	\$65
		CDP 22 - PVC 2" throat, 2" standard connect	2	\$65

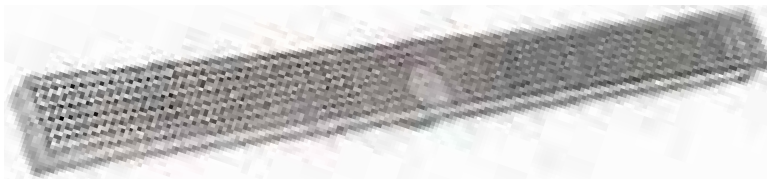
*See page 189 for more information on flow rates. • See page 129-130 for individual components. • See page 229 for shipping dimensions.

S-DG 65

Site Sizable® PVC Channel Circle Stainless Steel Grate

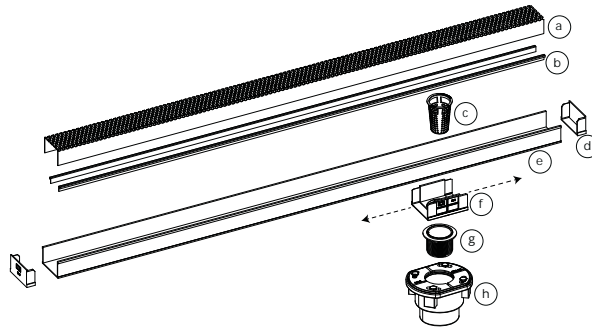
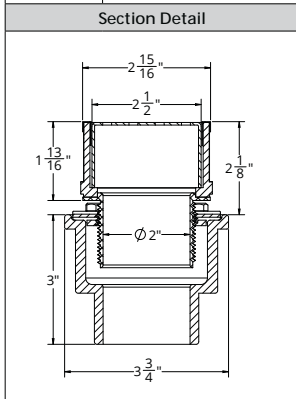


Technical Details	
Grate Material:	16 Gauge 304L Stainless Steel
Channel Material:	PVC
Overall Width:	2 15/16"
Minimum Height:	2 1/8"
Flow Rate:	9 GPM



Hair Maintenance kit included
Learn more on pages 191-192

CUT TO LENGTH, LOCATE OUTLET ANYWHERE ON CHANNEL

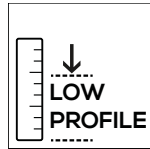


- (a) D 65 - Stainless Steel Grate
- (b) CT - Channel Trim
- (c) HB 65 - Hair Basket
- (d) E 65 - PVC Stop End
- (e) G 65 - PVC Channel (ships as one piece)
- (f) S 65 - PVC Outlet Section
- (g) S 50 - PVC Threaded Outlet
- (h) 2 inch clamp down drain assembly
Not included in kit SKU.
(Material can be Cast Iron, ABS, or PVC)

Not shown: Channel Spacer

Description	Model	Finish	Lbs	List
48" Complete Kit Includes: (48 1/8" L x 2 15/16" W x 1 11/16" H)	S-DG 6548 SS	Satin Stainless	9	\$425
	S-DG 6548 PS	Polished Stainless		\$615
1 - D 6548 Grate	S-DG 6548 ORB	Oil Rubbed Bronze		\$615
1 - G 6548 PVC Channel	S-DG 6548 SB	Satin Bronze		\$615
2 - E 65 PVC Stop End	S-DG 6548 BK	Matte Black		\$615
1 - S 65 PVC Outlet Section				
1 - CS 6548 Channel Spacer				
60" Complete Kit Includes: (60 1/8" L x 2 15/16" W x 1 11/16" H)	S-DG 6560 SS	Satin Stainless	11	\$520
	S-DG 6560 PS	Polished Stainless		\$755
1 - D 6560 Grate	S-DG 6560 ORB	Oil Rubbed Bronze		\$755
1 - G 6560 PVC Channel	S-DG 6560 SB	Satin Bronze		\$755
2 - E 65 PVC Stop End	S-DG 6560 BK	Matte Black		\$755
1 - S 65 PVC Outlet Section				
1 - CS 6560 Channel Spacer				
96" Complete Kit Includes: (96 1/8" L x 2 15/16" W x 1 11/16" H)	S-DG 6596 SS	Satin Stainless	22	\$845
	S-DG 6596 PS	Polished Stainless		\$1215
1 - D 6596 Grate	S-DG 6596 ORB	Oil Rubbed Bronze		\$1215
1 - G 6596 PVC Channel	S-DG 6596 SB	Satin Bronze		\$1215
2 - E 65 PVC Stop End	S-DG 6596 BK	Matte Black		\$1215
2 - S 65 PVC Outlet Section				
1 - CS 6596 Channel Spacer				
CDIH 22	Drain Body not included in kit SKU. If not provided, add...	CDI 22 - Cast Iron 2" throat, 2" no hub connect	4	\$85
CDI/CDP/CDA 22		CDIH 22 - (For Hot Mop) Cast Iron 2" throat, 2" no hub connect	4	\$85
		CDA 22 - ABS 2" throat, 2" standard connect	2	\$65
		CDP 22 - PVC 2" throat, 2" standard connect	2	\$65

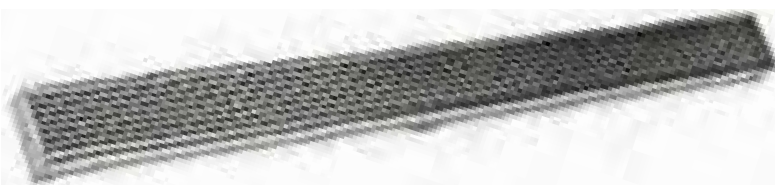

*See page 189 for more information on flow rates. • See page 131-132 for individual components. • See page 229 for shipping dimensions.



S-LT 65

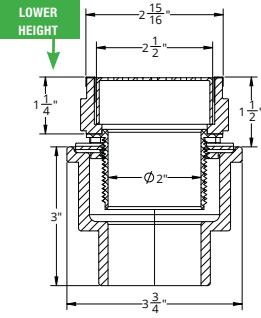
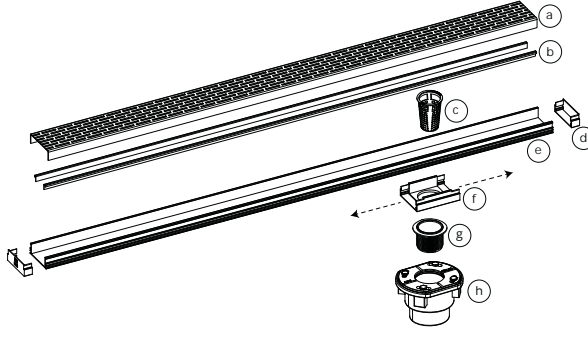
Site Sizable® PVC Channel Offset Slotted Stainless Steel Grate


Technical Details	
Grate Material:	16 Gauge 304L Stainless Steel
Channel Material:	PVC
Overall Width:	2 15/16" "
Minimum Height:	1 1/2" "
Flow Rate:	9 GPM

CUT TO LENGTH, LOCATE OUTLET ANYWHERE ON CHANNEL

Hair Maintenance kit included
Learn more on pages 191-192

Section Detail	
 <p>LOWER HEIGHT</p>	 <ul style="list-style-type: none"> (a) KA 65 - Stainless Steel Grate (b) CT - Channel Trim (c) HB 65 - Hair Basket (d) EL 65 - PVC Stop End (e) GL 65 - PVC Channel (ships as one piece) (f) SL 65 - PVC Outlet Section (g) S 50 - PVC Threaded Outlet (h) 2 inch clamp down drain assembly Not included in kit SKU. (Material can be Cast Iron, ABS, or PVC) <p>Not shown: Channel Spacer</p>

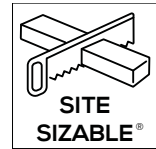
Description	Model	Finish	Lbs	List
36" Complete Kit Includes:				
1 - KA 6536 Grate	S-LT 6536 SS	Satin Stainless	7	\$335
1 - GL 6536 PVC Channel	S-LT 6536 PS	Polished Stainless		\$470
2 - EL 65 PVC Stop End	S-LT 6536 ORB	Oil Rubbed Bronze		\$470
1 - SL 65 PVC Outlet Section	S-LT 6536 SB	Satin Bronze		\$470
1 - CS 6536 Channel Spacer	S-LT 6536 BK	Matte Black		\$470
1 - S 50 PVC Threaded Outlet				
2 - CT 36 Channel Trim				
1 - HMK-65-A Hair Maintenance Kit:				
1 - HB 65 Hair Basket				
1 - AKEY Lift Out Key				
48" Complete Kit Includes:				
1 - KA 6548 Grate	S-LT 6548 SS	Satin Stainless	9	\$425
1 - GL 6548 PVC Channel	S-LT 6548 PS	Polished Stainless		\$615
2 - EL 65 PVC Stop End	S-LT 6548 ORB	Oil Rubbed Bronze		\$615
1 - SL 65 PVC Outlet Section	S-LT 6548 SB	Satin Bronze		\$615
1 - CS 6548 Channel Spacer	S-LT 6548 BK	Matte Black		\$615
1 - S 50 PVC Threaded Outlet				
2 - CT 48 Channel Trim				
1 - HMK-65-A Hair Maintenance Kit:				
1 - HB 65 Hair Basket				
1 - AKEY Lift Out Key				
60" Complete Kit Includes:				
1 - KA 6560 Grate	S-LT 6560 SS	Satin Stainless	11	\$520
1 - GL 6560 PVC Channel	S-LT 6560 PS	Polished Stainless		\$755
2 - EL 65 PVC Stop End	S-LT 6560 ORB	Oil Rubbed Bronze		\$755
1 - SL 65 PVC Outlet Section	S-LT 6560 SB	Satin Bronze		\$755
1 - CS 6560 Channel Spacer	S-LT 6560 BK	Matte Black		\$755
1 - S 50 PVC Threaded Outlet				
2 - CT 60 Channel Trim				
1 - HMK-65-A Hair Maintenance Kit:				
1 - HB 65 Hair Basket				
1 - AKEY Lift Out Key				
72" Complete Kit Includes:				
1 - KA 6572 Grate	S-LT 6572 SS	Satin Stainless	18	\$645
1 - GL 6572 PVC Channel	S-LT 6572 PS	Polished Stainless		\$925
2 - EL 65 PVC Stop End	S-LT 6572 ORB	Oil Rubbed Bronze		\$925
2 - SL 65 PVC Outlet Section	S-LT 6572 SB	Satin Bronze		\$925
1 - CS 6572 Channel Spacer	S-LT 6572 BK	Matte Black		\$925
2 - S 50 PVC Threaded Outlet				
2 - CT 72 Channel Trim				
1 - HMK-65-2A Hair Maintenance Kit:				
2 - HB 65 Hair Basket				
1 - AKEY Lift Out Key				
	(Two outlets)			
96" Complete Kit Includes:				
1 - KA 6596 Grate	S-LT 6596 SS	Satin Stainless	22	\$845
1 - GL 6596 PVC Channel	S-LT 6596 PS	Polished Stainless		\$1215
2 - EL 65 PVC Stop End	S-LT 6596 ORB	Oil Rubbed Bronze		\$1215
2 - SL 65 PVC Outlet Section	S-LT 6596 SB	Satin Bronze		\$1215
1 - CS 6596 Channel Spacer	S-LT 6596 BK	Matte Black		\$1215
2 - S 50 PVC Threaded Outlet				
2 - CT 96 Channel Trim				
1 - HMK-65-2A Hair Maintenance Kit:				
2 - HB 65 Hair Basket				
1 - AKEY Lift Out Key				
	(Two outlets)			
	Drain Body not included in kit SKU if not provided, add...	CDI 22 - Cast Iron 2" throat, 2" no hub connect	4	\$85
		CDIH 22 - (For Hot Mop) Cast Iron 2" throat, 2" no hub connect	4	\$85
		CDA 22 - ABS 2" throat, 2" standard connect	2	\$65
		CDP 22 - PVC 2" throat, 2" standard connect	2	\$65

*See page 189 for more information on flow rates. • See page 133-134 for individual components. • See pages 229-230 for shipping dimensions.

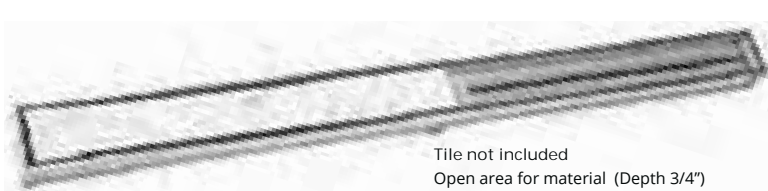

S-TIF 65

Site Sizable® PVC Channel

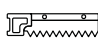
Tile Insert Frame Stainless Steel



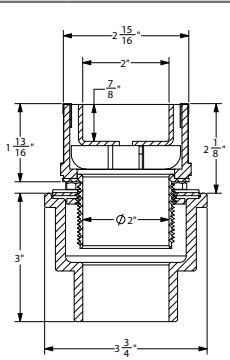
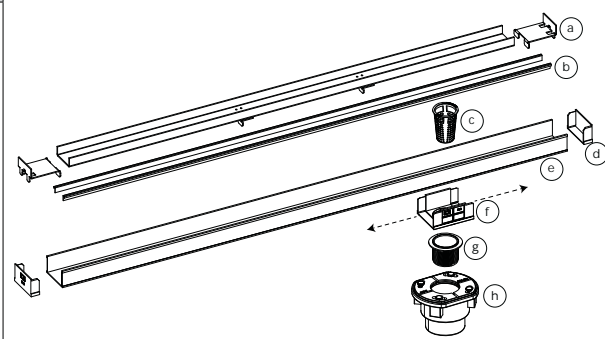
Technical Details	
Grate Material:	12 Gauge 304L Stainless Steel
Channel Material:	PVC
Overall Width:	2 15/16"
Minimum Height:	2 1/8"
Flow Rate:	9 GPM






Tile not included
Open area for material (Depth 3/4")

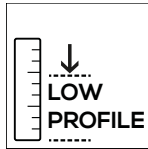
 CUT TO LENGTH, LOCATE OUTLET ANYWHERE ON CHANNEL

Hair Maintenance kit included
Learn more on pages 191-192

Section Detail	
	 <ul style="list-style-type: none"> Ⓐ TA 65 - Tile Insert Frame Assembly Ⓑ CT - Channel Trim Ⓒ HB 65 - Hair Basket Ⓓ E 65 - PVC Stop End Ⓔ G 65 - PVC Channel (ships as one piece) Ⓕ S 65 - PVC Outlet Section Ⓖ S 50 - PVC Threaded Outlet Ⓗ 2 inch clamp down drain assembly Not included in kit SKU. (Material can be Cast Iron, ABS, or PVC) <p style="text-align: center;">Not shown: Channel Spacer</p>

Description	Model	Finish	Lbs	List
40" Complete Kit Includes:	S-TIF 6540 SS	Satin Stainless	7	\$890
1 - TA 6540 Tile Insert Frame	S-TIF 6540 PS	Polished Stainless		\$980
1 - G 6540 PVC Channel	S-TIF 6540 ORB	Oil Rubbed Bronze		\$980
2 - E 65 PVC Stop End	S-TIF 6540 SB	Satin Bronze		\$980
1 - S 65 PVC Outlet Section	S-TIF 6540 BK	Matte Black		\$980
1 - CS 6540 Channel Spacer				
1 - S 50 PVC Threaded Outlet				
48" Complete Kit Includes:	S-TIF 6548 SS	Satin Stainless	9	\$1045
1 - TA 6548 Tile Insert Frame	S-TIF 6548 PS	Polished Stainless		\$1155
1 - G 6548 PVC Channel	S-TIF 6548 ORB	Oil Rubbed Bronze		\$1115
2 - E 65 PVC Stop End	S-TIF 6548 SB	Satin Bronze		\$1115
1 - S 65 PVC Outlet Section	S-TIF 6548 BK	Matte Black		\$1115
1 - CS 6548 Channel Spacer				
1 - S 50 PVC Threaded Outlet				
60" Complete Kit Includes:	S-TIF 6560 SS	Satin Stainless	11	\$1280
1 - TA 6560 Tile Insert Frame	S-TIF 6560 PS	Polished Stainless		\$1415
1 - G 6560 PVC Channel	S-TIF 6560 ORB	Oil Rubbed Bronze		\$1415
2 - E 65 PVC Stop End	S-TIF 6560 SB	Satin Bronze		\$1415
1 - S 65 PVC Outlet Section	S-TIF 6560 BK	Matte Black		\$1415
1 - CS 6560 Channel Spacer				
1 - S 50 PVC Threaded Outlet				
80" Complete Kit Includes:	S-TIF 6580 SS	Satin Stainless	18	\$1745
2 - TA 6540 Tile Insert Frame	S-TIF 6580 PS	Polished Stainless		\$1915
1 - G 6580 PVC Channel	S-TIF 6580 ORB	Oil Rubbed Bronze		\$1915
2 - E 65 PVC Stop End	S-TIF 6580 SB	Satin Bronze		\$1915
2 - S 65 PVC Outlet Section	S-TIF 6580 BK	Matte Black		\$1915
1 - CS 6580 Channel Spacer				
2 - S 50 PVC Threaded Outlet				
	(Two outlets)			
96" Complete Kit Includes:	S-TIF 6596 SS	Satin Stainless	22	\$2065
2 - TA 6548 Tile Insert Frame	S-TIF 6596 PS	Polished Stainless		\$2275
1 - G 6596 PVC Channel	S-TIF 6596 ORB	Oil Rubbed Bronze		\$2275
2 - E 65 PVC Stop End	S-TIF 6596 SB	Satin Bronze		\$2275
2 - S 65 PVC Outlet Section	S-TIF 6596 BK	Matte Black		\$2275
1 - CS 6596 Channel Spacer				
2 - S 50 PVC Threaded Outlet				
	(Two outlets)			
	Drain Body not included in kit SKU. If not provided, add...	CDI 22 - Cast Iron 2" throat, 2" no hub connect	4	\$85
		CDIH 22 - (For Hot Mop) Cast Iron 2" throat, 2" no hub connect	4	\$85
		CDA 22 - ABS 2" throat, 2" standard connect	2	\$65
		CDP 22 - PVC 2" throat, 2" standard connect	2	\$65

*See page 189 for more information on flow rates. • See page 131-132 for individual components. • See page 230 for shipping dimensions.



S-LTIF 65

Site Sizable® PVC Channel Tile Insert Frame Stainless Steel

Technical Details	
Grate Material:	12 Gauge 304L Stainless Steel
Channel Material:	PVC
Overall Width:	2 15/16"
Minimum Height:	1 1/2"
Flow Rate:	9 GPM

Tile not included
Open area for material (Depth 3/8")

CUT TO LENGTH, LOCATE OUTLET ANYWHERE ON CHANNEL

- Ⓐ RA 65 - Tile Insert Frame Assembly
- Ⓑ CT - Channel Trim
- Ⓒ HB 65 - Hair Basket
- Ⓓ EL 65 - PVC Stop End
- Ⓔ GL 65 - PVC Channel (ships as one piece)
- Ⓕ SL 65 - PVC Outlet Section
- Ⓖ S 50 - PVC Threaded Outlet
- Ⓗ 2 inch clamp down drain assembly
Not included in kit SKU.
(Material can be Cast Iron, ABS, or PVC)

Hair Maintenance kit included
Learn more on pages 191-192

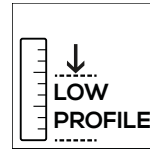
Not shown: Channel Spacer

Description	Model	Finish	Lbs	List
36" Complete Kit Includes:				
1 - RA 6536 Tile Insert Frame	S-LTIF 6536 SS	Satin Stainless	7	\$815
1 - GL 6536 PVC Channel	S-LTIF 6536 PS	Polished Stainless		\$890
2 - EL 65 PVC Stop End	S-LTIF 6536 ORB	Oil Rubbed Bronze		\$890
1 - SL 65 PVC Outlet Section	S-LTIF 6536 SB	Satin Bronze		\$890
1 - CS 6536 Channel Spacer	S-LTIF 6536 BK	Matte Black		\$890
1 - S 50 PVC Threaded Outlet				
48" Complete Kit Includes:				
1 - RA 6548 Tile Insert Frame	S-LTIF 6548 SS	Satin Stainless	9	\$1045
1 - GL 6548 PVC Channel	S-LTIF 6548 PS	Polished Stainless		\$1155
2 - EL 65 PVC Stop End	S-LTIF 6548 ORB	Oil Rubbed Bronze		\$1155
1 - SL 65 PVC Outlet Section	S-LTIF 6548 SB	Satin Bronze		\$1155
1 - CS 6548 Channel Spacer	S-LTIF 6548 BK	Matte Black		\$1155
1 - S 50 PVC Threaded Outlet				
60" Complete Kit Includes:				
1 - RA 6560 Tile Insert Frame	S-LTIF 6560 SS	Satin Stainless	11	\$1280
1 - GL 6560 PVC Channel	S-LTIF 6560 PS	Polished Stainless		\$1415
2 - EL 65 PVC Stop End	S-LTIF 6560 ORB	Oil Rubbed Bronze		\$1415
1 - SL 65 PVC Outlet Section	S-LTIF 6560 SB	Satin Bronze		\$1415
1 - CS 6560 Channel Spacer	S-LTIF 6560 BK	Matte Black		\$1415
1 - S 50 PVC Threaded Outlet				
72" Complete Kit Includes:				
2 - RA 6536 Tile Insert Frame	S-LTIF 6572 SS	Satin Stainless	18	\$1585
1 - GL 6572 PVC Channel	S-LTIF 6572 PS	Polished Stainless		\$1745
2 - EL 65 PVC Stop End	S-LTIF 6572 ORB	Oil Rubbed Bronze		\$1745
2 - SL 65 PVC Outlet Section	S-LTIF 6572 SB	Satin Bronze		\$1745
1 - CS 6572 Channel Spacer	S-LTIF 6572 BK	Matte Black		\$1745
2 - S 50 PVC Threaded Outlet				
96" Complete Kit Includes:				
2 - RA 6548 Tile Insert Frame	S-LTIF 6596 SS	Satin Stainless	22	\$2065
1 - GL 6596 PVC Channel	S-LTIF 6596 PS	Polished Stainless		\$2275
2 - EL 65 PVC Stop End	S-LTIF 6596 ORB	Oil Rubbed Bronze		\$2275
2 - SL 65 PVC Outlet Section	S-LTIF 6596 SB	Satin Bronze		\$2275
1 - CS 6596 Channel Spacer	S-LTIF 6596 BK	Matte Black		\$2275
2 - S 50 PVC Threaded Outlet				
	Drain Body not included in kit SKU if not provided, add...	CDI 22 - Cast Iron 2" throat, 2" no hub connect	4	\$85
		CDIH 22 - (For Hot Mop) Cast Iron 2" throat, 2" no hub connect	4	\$85
		CDA 22 - ABS 2" throat, 2" standard connect	2	\$65
		CDP 22 - PVC 2" throat, 2" standard connect	2	\$65



*See page 189 for more information on flow rates. • See page 133-134 for individual components. • See page 230 for shipping dimensions.

S-AG 100

Site Sizable® PVC Channel 2mm Wedge Wire Stainless Steel Grate

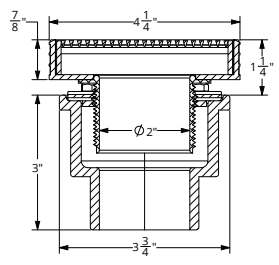
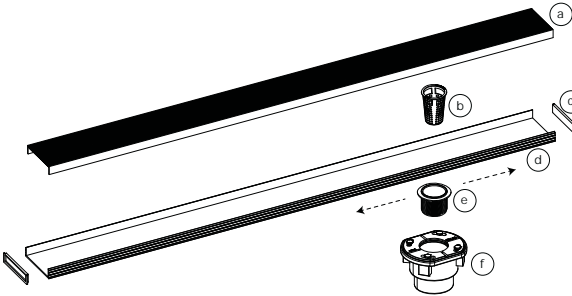




Technical Details	
Grate Material:	316L Stainless Steel
Channel Material:	PVC
Overall Width:	4 1/4"
Minimum Height:	1 1/4"
Flow Rate:	9 GPM

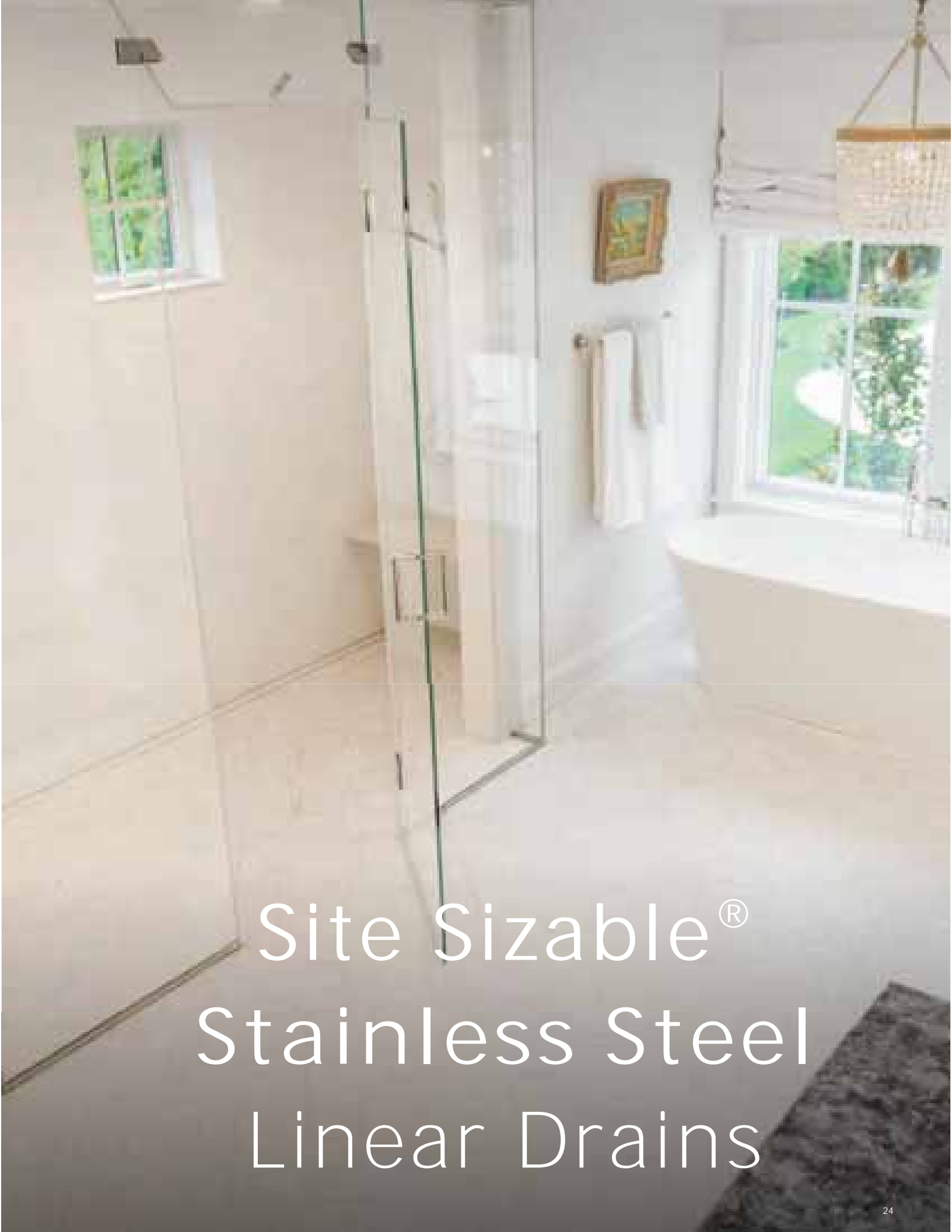
CUT TO LENGTH, LOCATE OUTLET ANYWHERE ON CHANNEL

Hair Maintenance kit included
Learn more on pages 191-192

Section Detail	
	 <ul style="list-style-type: none"> Ⓐ A 100 - Wedge wire grate Ⓑ HB 65 - Hair Basket Ⓒ E 100 - PVC Stop End Ⓓ G 100 - PVC Channel (ships as one piece) Ⓔ S 50 - PVC Threaded Outlet Ⓕ 2 inch clamp down drain assembly Not included in kit SKU. (Material can be Cast Iron, ABS, or PVC)

Description	Model	Finish	Lbs	List
48" Complete Kit Includes:				
1 - A 10048 Grate	S-AG 10048 SS	Satin Stainless	9	\$1190
1 - G 10048 PVC Channel	S-AG 10048 PS	Polished Stainless		\$1395
2 - E 100 PVC Stop End	S-AG 10048 ORB	Oil Rubbed Bronze		\$1395
1 - S 50 PVC Threaded Outlet	S-AG 10048 SB	Satin Bronze		\$1395
	S-AG 10048 BK	Matte Black		\$1395
96" Complete Kit Includes:				
2 - A 10048 Grate	S-AG 10096 SS	Satin Stainless	22	\$2365
1 - G 10096 PVC Channel	S-AG 10096 PS	Polished Stainless		\$2770
2 - E 100 PVC Stop End	S-AG 10096 ORB	Oil Rubbed Bronze		\$2770
2 - S 50 PVC Threaded Outlet	S-AG 10096 SB	Satin Bronze		\$2770
	S-AG 10096 BK	Matte Black		\$2770
	(Two outlets)			
	Drain Body not included in kit SKU. If not provided, add...	CDI 22 - Cast Iron 2" throat, 2" no hub connect	4	\$85
		CDIH 22 - (For Hot Mop) Cast Iron 2" throat, 2" no hub connect	4	\$85
		CDA 22 - ABS 2" throat, 2" standard connect	2	\$65
		CDP 22 - PVC 2" throat, 2" standard connect	2	\$65

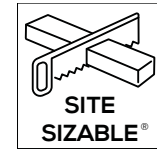
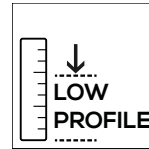
*See page 189 for more information on flow rates. • See page 135 for individual components. • See page 227 for shipping dimensions.




Site Sizable[®]
Stainless Steel
Linear Drains

S-AS 65

Site Sizable® Stainless Steel Channel 2mm Wedge Wire Stainless Steel Grate





Technical Details	
Grate Material:	316L Stainless Steel
Channel Material:	16 Gauge 304L Stainless Steel
Overall Width:	2 15/16"
Minimum Height:	1 5/16"
Flow Rate:	9 GPM

CUT TO LENGTH, LOCATE OUTLET ANYWHERE ON CHANNEL

Hair Maintenance kit included
Learn more on pages 191-192

Section Detail	
	 <ul style="list-style-type: none"> (a) SA 65 - Stainless Steel Grate (b) CT - Channel Trim (c) HB 65 - Hair Basket (d) LC 65 - Stainless Steel Channel (ships as one piece) (e) LF 65 - Stainless Steel Outlet Section (f) GJS 65 - Stainless Steel Joiner Strip (g) TNAS - Threaded Nipple (h) 2 inch clamp down drain assembly Not included in kit SKU. (Material can be Cast Iron, ABS, or PVC)

Description	Model	Finish	Lbs	List
36" Complete Kit Includes:	S-AS 6536 SS	Satin Stainless	7	\$1230
1 - SA 6536 Grate	S-AS 6536 PS	Polished Stainless		\$1425
1 - LC 6528 Channel	S-AS 6536 ORB	Oil Rubbed Bronze		\$1425
1 - LF 65 8" Outlet Section	S-AS 6536 SB	Satin Bronze		\$1425
2 - GJS 65 Joiner Strip	S-AS 6536 BK	Matte Black		\$1425
1 - TNAS Threaded Nipple				
1 - ZSIKA M1 Sealant				
2 - CT 36 Channel Trim				
1 - HMK-65-A Hair Maintenance Kit:				
1 - HB 65 Hair Basket				
1 - AKEY Lift Out Key				
48" Complete Kit Includes:	S-AS 6548 SS	Satin Stainless	9	\$1585
1 - SA 6548 Grate	S-AS 6548 PS	Polished Stainless		\$1855
1 - LC 6540 Channel	S-AS 6548 ORB	Oil Rubbed Bronze		\$1855
1 - LF 65 8" Outlet Section	S-AS 6548 SB	Satin Bronze		\$1855
2 - GJS 65 Joiner Strip	S-AS 6548 BK	Matte Black		\$1855
1 - TNAS Threaded Nipple				
1 - ZSIKA M1 Sealant				
2 - CT 48 Channel Trim				
1 - HMK-65-A Hair Maintenance Kit:				
1 - HB 65 Hair Basket				
1 - AKEY Lift Out Key				
60" Complete Kit Includes:	S-AS 6560 SS	Satin Stainless	11	\$1930
1 - SA 6560 Grate	S-AS 6560 PS	Polished Stainless		\$2285
1 - LC 6552 Channel	S-AS 6560 ORB	Oil Rubbed Bronze		\$2285
1 - LF 65 8" Outlet Section	S-AS 6560 SB	Satin Bronze		\$2285
2 - GJS 65 Joiner Strip	S-AS 6560 BK	Matte Black		\$2285
1 - TNAS Threaded Nipple				
1 - ZSIKA M1 Sealant				
2 - CT 60 Channel Trim				
1 - HMK-65-A Hair Maintenance Kit:				
1 - HB 65 Hair Basket				
1 - AKEY Lift Out Key				
72" Complete Kit Includes:	S-AS 6572 SS	Satin Stainless	18	\$2510
1 - SA 6572 Grate	S-AS 6572 PS	Polished Stainless		\$2920
1 - LC 6564 Channel	S-AS 6572 ORB	Oil Rubbed Bronze		\$2920
2 - LF 65 8" Outlet Section	S-AS 6572 SB	Satin Bronze		\$2920
4 - GJS 65 Joiner Strip	S-AS 6572 BK	Matte Black		\$2920
2 - TNAS Threaded Nipple				
1 - ZSIKA M1 Sealant				
2 - CT 72 Channel Trim				
1 - HMK-65-2A Hair Maintenance Kit:				
2 - HB 65 Hair Basket				
1 - AKEY Lift Out Key				
	(Two outlets)			
96" Complete Kit Includes:	S-AS 6596 SS	Satin Stainless	22	\$3240
2 - SA 6548 Grate	S-AS 6596 PS	Polished Stainless		\$3780
1 - LC 6588 Channel	S-AS 6596 ORB	Oil Rubbed Bronze		\$3780
2 - LF 65 8" Outlet Section	S-AS 6596 SB	Satin Bronze		\$3780
4 - GJS 65 Joiner Strip	S-AS 6596 BK	Matte Black		\$3780
2 - TNAS Threaded Nipple				
1 - ZSIKA M1 Sealant				
2 - CT 96 Channel Trim				
1 - HMK-65-2A Hair Maintenance Kit:				
2 - HB 65 Hair Basket				
1 - AKEY Lift Out Key				
	(Two outlets)			
	Drain Body	CDI 22 - Cast Iron 2" throat, 2" no hub connect	4	\$85
	not included in kit SKU. If not provided, add...	CDIH 22 - (For Hot Mop) Cast Iron 2" throat, 2" no hub connect	4	\$85
		CDA 22 - ABS 2" throat, 2" standard connect	2	\$65
		CDP 22 - PVC 2" throat, 2" standard connect	2	\$65


*See page 189 for more information on flow rates. • See page 137 for individual components. • See page 228 for shipping dimensions.



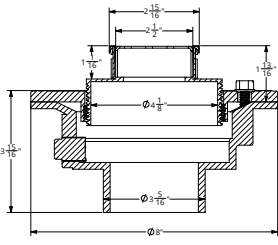
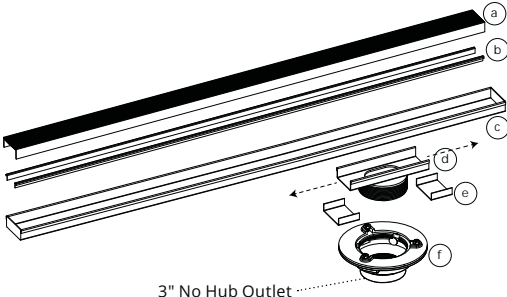
S-AS 99

Site Sizable® Stainless Steel Channel
2mm Wedge Wire Stainless Steel Grate

Technical Details	
Grate Material:	316L Stainless Steel
Channel Material:	16 Gauge 304L Stainless Steel
Overall Width:	2 15/16"
Minimum Height:	1 13/16"
Flow Rate:	21 GPM



CUT TO LENGTH, LOCATE OUTLET ANYWHERE ON CHANNEL

Note: Lift-out key and User Guide only. Hair Basket not available in this series.

- (a) SA 65 - Stainless Steel Grate
- (b) CT - Channel Trim
- (c) LC 65 - Stainless Steel Channel (ships as one piece)
- (d) LF 99 - Stainless Steel Outlet Section (High Flow)
- (e) GJS 65 - Stainless Steel Joiner Strip
- (f) CDI 43W/ CDP 43W/ CDA 43W 4 inch throat, 3 inch No Hub Outlet Clamp Down Drain Assembly

INCLUDED IN KIT SKU
(Material can be Cast Iron, ABS, or PVC)*
S-AS 99 Series is designed to connect to a 3" waste line.

Description	Model	Finish	Lbs	List
36" Complete Kit Includes:				
1 - SA 6536 Grate	S-AS 9936-I SS	Satin Stainless	7	\$1605
1 - LC 6528 Channel	S-AS 9936-I PS	Polished Stainless		\$1800
1 - LF 99 8" Outlet Section	S-AS 9936-I ORB	Oil Rubbed Bronze		\$1800
2 - GJS 65 Joiner Strip	S-AS 9936-I SB	Satin Bronze		\$1800
1 - ZSIKA M1 Sealant	S-AS 9936-I BK	Matte Black		\$1800
2 - CT 36 Channel Trim				
1 - HMK-A Hair Maintenance Kit:				
1 - AKEY Lift Out Key				
1 - CDI 43W/CDP 43W/CDA 43W Drain Body*				
48" Complete Kit Includes:				
1 - SA 6548 Grate	S-AS 9948-I SS	Satin Stainless	9	\$1960
1 - LC 6540 Channel	S-AS 9948-I PS	Polished Stainless		\$2230
1 - LF 99 8" Outlet Section	S-AS 9948-I ORB	Oil Rubbed Bronze		\$2230
2 - GJS 65 Joiner Strip	S-AS 9948-I SB	Satin Bronze		\$2230
1 - ZSIKA M1 Sealant	S-AS 9948-I BK	Matte Black		\$2230
2 - CT 48 Channel Trim				
1 - HMK-A Hair Maintenance Kit:				
1 - AKEY Lift Out Key				
1 - CDI 43W/CDP 43W/CDA 43W Drain Body*				
60" Complete Kit Includes:				
1 - SA 6560 Grate	S-AS 9960-I SS	Satin Stainless	11	\$2305
1 - LC 6552 Channel	S-AS 9960-I PS	Polished Stainless		\$2660
1 - LF 99 8" Outlet Section	S-AS 9960-I ORB	Oil Rubbed Bronze		\$2660
2 - GJS 65 Joiner Strip	S-AS 9960-I SB	Satin Bronze		\$2660
1 - ZSIKA M1 Sealant	S-AS 9960-I BK	Matte Black		\$2660
2 - CT 60 Channel Trim				
1 - HMK-A Hair Maintenance Kit:				
1 - AKEY Lift Out Key				
1 - CDI 43W/CDP 43W/CDA 43W Drain Body*				
72" Complete Kit Includes:				
1 - SA 6572 Grate	S-AS 9972-I SS	Satin Stainless	18	\$3260
1 - LC 6564 Channel	S-AS 9972-I PS	Polished Stainless		\$3670
2 - LF 99 8" Outlet Section	S-AS 9972-I ORB	Oil Rubbed Bronze		\$3670
4 - GJS 65 Joiner Strip	S-AS 9972-I SB	Satin Bronze		\$3670
1 - ZSIKA M1 Sealant	S-AS 9972-I BK	Matte Black		\$3670
2 - CT 72 Channel Trim				
1 - HMK-A Hair Maintenance Kit:				
1 - AKEY Lift Out Key				
2 - CDI 43W/CDP 43W/CDA 43W Drain Body*				
	(Two outlets)			
96" Complete Kit Includes:				
2 - SA 6548 Grate	S-AS 9996-I SS	Satin Stainless	22	\$3990
1 - LC 6588 Channel	S-AS 9996-I PS	Polished Stainless		\$4530
2 - LF 99 8" Outlet Section	S-AS 9996-I ORB	Oil Rubbed Bronze		\$4530
4 - GJS 65 Joiner Strip	S-AS 9996-I SB	Satin Bronze		\$4530
1 - ZSIKA M1 Sealant	S-AS 9996-I BK	Matte Black		\$4530
2 - CT 96 Channel Trim				
1 - HMK-A Hair Maintenance Kit:				
1 - AKEY Lift Out Key				
2 - CDI 43W/CDP 43W/CDA 43W Drain Body*				
	(Two outlets)			

*S-AS 99 Complete Kits include a Cast Iron Drain Body. If ABS or PVC drain body is desired, replace I with A or P in model number. (Example: S-AS 9936-P SS)
S-AS 99 Series is designed to connect to a 3" waste line.



*See page 189 for more information on flow rates. • See page 137 for individual components. • See page 228 for shipping dimensions.

S-TIFAS 65

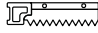
Site Sizable® Stainless Steel Channel Tile Insert Frame Stainless Steel



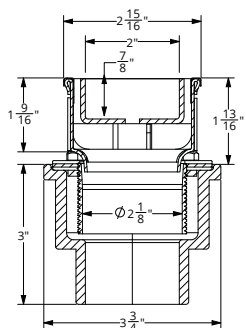
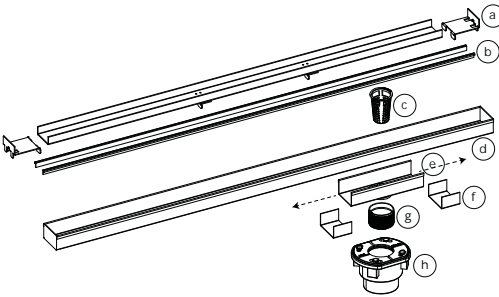
Technical Details	
Grate Material:	12 Gauge 304L Stainless Steel
Channel Material:	16 Gauge 304L Stainless Steel
Overall Width:	2 15/16"
Minimum Height:	1 13/16"
Flow Rate:	9 GPM






Tile not included
Open area for material (Depth 3/4")

 CUT TO LENGTH, LOCATE OUTLET ANYWHERE ON CHANNEL

Hair Maintenance kit included
Learn more on pages 191-192

Section Detail	
	 <ul style="list-style-type: none"> (a) TA 65 - Stainless Steel Tile Insert Assembly (b) CT - Channel Trim (c) HB 65 - Hair Basket (d) HC 65 - Stainless Steel Channel (ships as one piece) (e) HF 65 - Stainless Steel Outlet Section (f) TJS 65 - Stainless Steel Joiner Strip (g) TNAS - Threaded Nipple (h) 2 inch clamp down drain assembly Not included in kit SKU. (Material can be Cast Iron, ABS, or PVC)

Description	Model	Finish	Lbs	List
40" Complete Kit Includes:				
1 - TA 6540 Tile Insert Frame	S-TIFAS 6540 SS	Satin Stainless	7	\$1260
1 - HC 6532 Channel	S-TIFAS 6540 PS	Polished Stainless		\$1395
1 - HF 65 8" Outlet Section	S-TIFAS 6540 ORB	Oil Rubbed Bronze		\$1395
2 - TJS 65 Joiner Strip	S-TIFAS 6540 SB	Satin Bronze		\$1395
1 - TNAS Threaded Nipple	S-TIFAS 6540 BK	Matte Black		\$1395
1 - ZSIKA M1 Sealant				
2 - CT 40 Channel Trim				
1 - HMK-65-A Hair Maintenance Kit:				
1 - HB 65 Hair Basket				
1 - AKEY Lift Out Key				
48" Complete Kit Includes:				
1 - TA 6548 Tile Insert Frame	S-TIFAS 6548 SS	Satin Stainless	9	\$1475
1 - HC 6540 Channel	S-TIFAS 6548 PS	Polished Stainless		\$1645
1 - HF 65 8" Outlet Section	S-TIFAS 6548 ORB	Oil Rubbed Bronze		\$1645
2 - TJS 65 Joiner Strip	S-TIFAS 6548 SB	Satin Bronze		\$1645
1 - TNAS Threaded Nipple	S-TIFAS 6548 BK	Matte Black		\$1645
1 - ZSIKA M1 Sealant				
2 - CT 48 Channel Trim				
1 - HMK-65-A Hair Maintenance Kit:				
1 - HB 65 Hair Basket				
1 - AKEY Lift Out Key				
60" Complete Kit Includes:				
1 - TA 6560 Tile Insert Frame	S-TIFAS 6560 SS	Satin Stainless	11	\$1780
1 - HC 6552 Channel	S-TIFAS 6560 PS	Polished Stainless		\$2010
1 - HF 65 8" Outlet Section	S-TIFAS 6560 ORB	Oil Rubbed Bronze		\$2010
2 - TJS 65 Joiner Strip	S-TIFAS 6560 SB	Satin Bronze		\$2010
1 - TNAS Threaded Nipple	S-TIFAS 6560 BK	Matte Black		\$2010
1 - ZSIKA M1 Sealant				
2 - CT 60 Channel Trim				
1 - HMK-65-A Hair Maintenance Kit:				
1 - HB 65 Hair Basket				
1 - AKEY Lift Out Key				
80" Complete Kit Includes:				
2 - TA 6540 Tile Insert Frame	S-TIFAS 6580 SS	Satin Stainless	18	\$2585
1 - HC 6572 Channel	S-TIFAS 6580 PS	Polished Stainless		\$2865
2 - HF 65 8" Outlet Section	S-TIFAS 6580 ORB	Oil Rubbed Bronze		\$2865
4 - TJS 65 Joiner Strip	S-TIFAS 6580 SB	Satin Bronze		\$2865
2 - TNAS Threaded Nipple	S-TIFAS 6580 BK	Matte Black		\$2865
1 - ZSIKA M1 Sealant				
2 - CT 80 Channel Trim				
1 - HMK-65-2A Hair Maintenance Kit:				
2 - HB 65 Hair Basket				
1 - AKEY Lift Out Key				
	(Two outlets)			
96" Complete Kit Includes:				
2 - TA 6548 Tile Insert Frame	S-TIFAS 6596 SS	Satin Stainless	22	\$3020
1 - HC 6588 Channel	S-TIFAS 6596 PS	Polished Stainless		\$3360
2 - HF 65 8" Outlet Section	S-TIFAS 6596 ORB	Oil Rubbed Bronze		\$3360
4 - TJS 65 Joiner Strip	S-TIFAS 6596 SB	Satin Bronze		\$3360
2 - TNAS Threaded Nipple	S-TIFAS 6596 BK	Matte Black		\$3360
1 - ZSIKA M1 Sealant				
2 - CT 96 Channel Trim				
1 - HMK-65-2A Hair Maintenance Kit:				
2 - HB 65 Hair Basket				
1 - AKEY Lift Out Key				
	(Two outlets)			
	Drain Body	CDI 22 - Cast Iron 2" throat, 2" no hub connect	4	\$85
	not included in kit SKU. If not provided, add...	CDIH 22 - (For Hot Mop) Cast Iron 2" throat, 2" no hub connect	4	\$85
		CDA 22 - ABS 2" throat, 2" standard connect	2	\$65
		CDP 22 - PVC 2" throat, 2" standard connect	2	\$65


*See page 189 for more information on flow rates. • See page 138 for individual components. • See pages 230-231 for shipping dimensions.




S-TIFAS 99

Site Sizable® Stainless Steel Channel Tile Insert Frame Stainless Steel

Technical Details	
Grate Material:	12 Gauge 304L Stainless Steel
Channel Material:	16 Gauge 304L Stainless Steel
Overall Width:	2 15/16"
Minimum Height:	2 1/4"
Flow Rate:	21 GPM

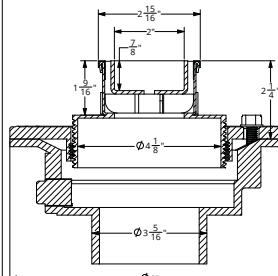
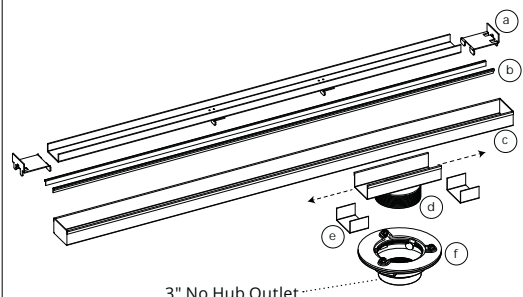


Tile not included
Open area for material (Depth 3/4")



Note: Lift-out key and User Guide only.
Hair Basket not available in this series.

CUT TO LENGTH, LOCATE OUTLET ANYWHERE ON CHANNEL

Section Detail	
	 <p>3" No Hub Outlet</p> <ul style="list-style-type: none"> (a) TA 65 - Stainless Steel Tile Insert Assembly (b) CT - Channel Trim (c) HC 65 - Stainless Steel Channel (ships as one piece) (d) HF 99 - Stainless Steel Outlet Section (High Flow) (e) TJS 65 - Stainless Steel Joiner Strip (f) CDI 43W/ CDP 43W/ CDA 43W 4 inch throat, 3 inch No Hub Outlet Clamp Down Drain Assembly <p>INCLUDED IN KIT SKU (Material can be Cast Iron, ABS, or PVC)* S-TIFAS 99 Series is designed to connect to a 3" waste line.</p>

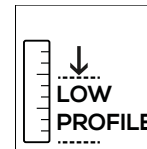
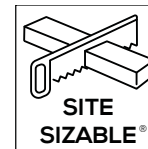
Description	Model	Finish	Lbs	List
40" Complete Kit Includes:	S-TIFAS 9940-I SS	Satin Stainless	7	\$1635
1 - TA 6540 Tile Insert Frame	S-TIFAS 9940-I PS	Polished Stainless		\$1770
1 - HC 6532 Channel	S-TIFAS 9940-I ORB	Oil Rubbed Bronze		\$1770
1 - HF 99 8" Outlet Section	S-TIFAS 9940-I SB	Satin Bronze		\$1770
2 - TJS 65 Joiner Strip	S-TIFAS 9940-I BK	Matte Black		\$1770
1 - ZSIKA M1 Sealant				
2 - CT 40 Channel Trim				
1 - HMK-A Hair Maintenance Kit:				
1 - AKEY Lift Out Key				
1 - CDI 43W/CDP 43W/CDA 43W Drain Body*				
48" Complete Kit Includes:	S-TIFAS 9948-I SS	Satin Stainless	9	\$1850
1 - TA 6548 Tile Insert Frame	S-TIFAS 9948-I PS	Polished Stainless		\$2020
1 - HC 6540 Channel	S-TIFAS 9948-I ORB	Oil Rubbed Bronze		\$2020
1 - HF 99 8" Outlet Section	S-TIFAS 9948-I SB	Satin Bronze		\$2020
2 - TJS 65 Joiner Strip	S-TIFAS 9948-I BK	Matte Black		\$2020
1 - ZSIKA M1 Sealant				
2 - CT 48 Channel Trim				
1 - HMK-A Hair Maintenance Kit:				
1 - AKEY Lift Out Key				
1 - CDI 43W/CDP 43W/CDA 43W Drain Body*				
60" Complete Kit Includes:	S-TIFAS 9960-I SS	Satin Stainless	11	\$2155
1 - TA 6560 Tile Insert Frame	S-TIFAS 9960-I PS	Polished Stainless		\$2385
1 - HC 6540 Channel	S-TIFAS 9960-I ORB	Oil Rubbed Bronze		\$2385
1 - HF 99 8" Outlet Section	S-TIFAS 9960-I SB	Satin Bronze		\$2385
2 - TJS 65 Joiner Strip	S-TIFAS 9960-I BK	Matte Black		\$2385
1 - ZSIKA M1 Sealant				
2 - CT 60 Channel Trim				
1 - HMK-A Hair Maintenance Kit:				
1 - AKEY Lift Out Key				
1 - CDI 43W/CDP 43W/CDA 43W Drain Body*				
80" Complete Kit Includes:	S-TIFAS 9980-I SS	Satin Stainless	18	\$3335
2 - TA 6540 Tile Insert Frame	S-TIFAS 9980-I PS	Polished Stainless		\$3615
1 - HC 6572 Channel	S-TIFAS 9980-I ORB	Oil Rubbed Bronze		\$3615
2 - HF 99 8" Outlet Section	S-TIFAS 9980-I SB	Satin Bronze		\$3615
4 - TJS 65 Joiner Strip	S-TIFAS 9980-I BK	Matte Black		\$3615
1 - ZSIKA M1 Sealant				
2 - CT 80 Channel Trim				
1 - HMK-A Hair Maintenance Kit:				
1 - AKEY Lift Out Key				
2 - CDI 43W/CDP 43W/CDA 43W Drain Body*				
(Two outlets)				
96" Complete Kit Includes:	S-TIFAS 9996-I SS	Satin Stainless	22	\$3770
2 - TA 6548 Tile Insert Frame	S-TIFAS 9996-I PS	Polished Stainless		\$4110
1 - HC 6588 Channel	S-TIFAS 9996-I ORB	Oil Rubbed Bronze		\$4110
2 - HF 99 8" Outlet Section	S-TIFAS 9996-I SB	Satin Bronze		\$4110
4 - TJS 65 Joiner Strip	S-TIFAS 9996-I BK	Matte Black		\$4110
1 - ZSIKA M1 Sealant				
2 - CT 96 Channel Trim				
1 - HMK-A Hair Maintenance Kit:				
1 - AKEY Lift Out Key				
2 - CDI 43W/CDP 43W/CDA 43W Drain Body*				
(Two outlets)				

*S-TIFAS 99 Complete Kits include a Cast Iron Drain Body. If ABS or PVC drain body is desired, replace I with A or P in model number. (Example: S-TIFAS 9940-P SS)
S-TIFAS 99 Series is designed to connect to a 3" waste line.

*See page 189 for more information on flow rates. • See page 138 for individual components. • See page 231 for shipping dimensions.

NEW S-LTIFAS 65

Site Sizable® Stainless Steel Channel Tile Insert Frame Stainless Steel

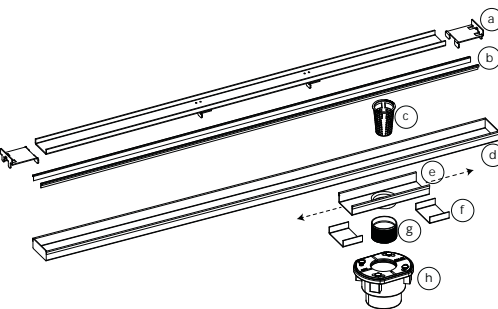
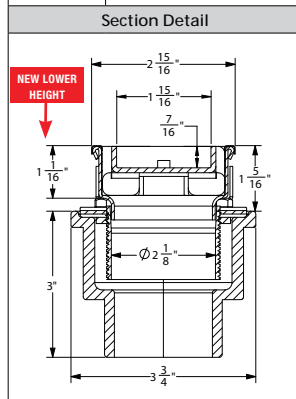


Technical Details	
Grate Material:	12 Gauge 304L Stainless Steel
Channel Material:	16 Gauge 304L Stainless Steel
Overall Width:	2 15/16"
Minimum Height:	1 5/16"
Flow Rate:	9 GPM



CUT TO LENGTH, LOCATE OUTLET ANYWHERE ON CHANNEL

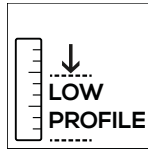
Hair Maintenance kit included
Learn more on pages 191-192



- (a) RA 65 - Tile Insert Frame Assembly
- (b) CT - Channel Trim
- (c) HB 65 - Hair Basket
- (d) LC 65 - Stainless Steel Channel (ships as one piece)
- (e) LF 65 - Stainless Steel Outlet Section
- (f) GJS 65 - Stainless Steel Joiner Strip
- (g) TNAS - Threaded Nipple
- (h) 2 inch clamp down drain assembly
Not included in kit SKU.
(Material can be Cast Iron, ABS, or PVC)

Description	Model	Finish	Lbs	List
36" Complete Kit Includes:				
1 - RA 6536 Grate	1 - ZSIKA M1 Sealant	S-LTIFAS 6536 SS	7	\$1260
1 - LC 6528 Channel	2 - CT 36 Channel Trim	S-LTIFAS 6536 PS		\$1395
1 - LF 65 8" Outlet Section	1 - HMK-65-A Hair Maintenance Kit:	S-LTIFAS 6536 ORB		\$1395
2 - GJS 65 Joiner Strip	1 - HB 65 Hair Basket	S-LTIFAS 6536 SB		\$1395
1 - TNAS Threaded Nipple	1 - AKEY Lift Out Key	S-LTIFAS 6536 BK		\$1395
48" Complete Kit Includes:				
1 - RA 6548 Grate	1 - ZSIKA M1 Sealant	S-LTIFAS 6548 SS	9	\$1475
1 - LC 6540 Channel	2 - CT 48 Channel Trim	S-LTIFAS 6548 PS		\$1645
1 - LF 65 8" Outlet Section	1 - HMK-65-A Hair Maintenance Kit:	S-LTIFAS 6548 ORB		\$1645
2 - GJS 65 Joiner Strip	1 - HB 65 Hair Basket	S-LTIFAS 6548 SB		\$1645
1 - TNAS Threaded Nipple	1 - AKEY Lift Out Key	S-LTIFAS 6548 BK		\$1645
60" Complete Kit Includes:				
1 - RA 6560 Grate	1 - ZSIKA M1 Sealant	S-LTIFAS 6560 SS	11	\$1780
1 - LC 6552 Channel	2 - CT 60 Channel Trim	S-LTIFAS 6560 PS		\$2010
1 - LF 65 8" Outlet Section	1 - HMK-65-A Hair Maintenance Kit:	S-LTIFAS 6560 ORB		\$2010
2 - GJS 65 Joiner Strip	1 - HB 65 Hair Basket	S-LTIFAS 6560 SB		\$2010
1 - TNAS Threaded Nipple	1 - AKEY Lift Out Key	S-LTIFAS 6560 BK		\$2010
72" Complete Kit Includes:				
2 - RA 6536 Grate	1 - ZSIKA M1 Sealant	S-LTIFAS 6572 SS	18	\$2585
1 - LC 6564 Channel	2 - CT 72 Channel Trim	S-LTIFAS 6572 PS		\$2865
2 - LF 65 8" Outlet Section	1 - HMK-65-2A Hair Maintenance Kit:	S-LTIFAS 6572 ORB		\$2865
4 - GJS 65 Joiner Strip	2 - HB 65 Hair Basket	S-LTIFAS 6572 SB		\$2865
2 - TNAS Threaded Nipple	1 - AKEY Lift Out Key	S-LTIFAS 6572 BK		\$2865
		(Two outlets)		
96" Complete Kit Includes:				
2 - RA 6548 Grate	1 - ZSIKA M1 Sealant	S-LTIFAS 6596 SS	22	\$3020
1 - LC 6588 Channel	2 - CT 96 Channel Trim	S-LTIFAS 6596 PS		\$3360
2 - LF 65 8" Outlet Section	1 - HMK-65-2A Hair Maintenance Kit:	S-LTIFAS 6596 ORB		\$3360
4 - GJS 65 Joiner Strip	2 - HB 65 Hair Basket	S-LTIFAS 6596 SB		\$3360
2 - TNAS Threaded Nipple	1 - AKEY Lift Out Key	S-LTIFAS 6596 BK		\$3360
		(Two outlets)		
	Drain Body	CDI 22 - Cast Iron 2" throat, 2" no hub connect	4	\$85
	not included in kit SKU. If not provided, add...	CDIH 22 - (For Hot Mop) Cast Iron 2" throat, 2" no hub connect	4	\$85
		CDA 22 - ABS 2" throat, 2" standard connect	2	\$65
		CDP 22 - PVC 2" throat, 2" standard connect	2	\$65

*See page 189 for more information on flow rates. • See page 137 for individual components. • See page 230 for shipping dimensions.



NEW **S-LTIFAS 99**

**Site Sizable® Stainless Steel Channel
Tile Insert Frame Stainless Steel**

Technical Details	
Grate Material:	12 Gauge 304L Stainless Steel
Channel Material:	16 Gauge 304L Stainless Steel
Overall Width:	2 15/16"
Minimum Height:	1 13/16"
Flow Rate:	21 GPM

Tile not included
Open area for material (Depth 3/8")

NEW

Note: Lift-out key and User Guide only.
Hair Basket not available in this series.

CUT TO LENGTH, LOCATE OUTLET ANYWHERE ON CHANNEL

Section Detail	
<p>NEW LOWER HEIGHT</p>	<p>3" No Hub Outlet</p> <ul style="list-style-type: none"> (a) RA 65 - Stainless Steel Tile Insert Assembly (b) CT - Channel Trim (c) LC 65 - Stainless Steel Channel (ships as one piece) (d) LF 99 - Stainless Steel Outlet Section (High Flow) (e) GJS 65 - Stainless Steel Joiner Strip (f) CDI 43W/ CDP 43W/ CDA 43W 4 inch throat, 3 inch No Hub Outlet Clamp Down Drain Assembly INCLUDED IN KIT SKU (Material can be Cast Iron, ABS, or PVC)* <p>S-LTIFAS 99 Series is designed to connect to a 3" waste line.</p>

Description	Model	Finish	Lbs	List
36" Complete Kit Includes:	S-LTIFAS 9936-I SS	Satin Stainless	7	\$1635
1 - RA 6536 Tile Insert Frame	S-LTIFAS 9936-I PS	Polished Stainless		\$1770
1 - LC 6528 Channel	S-LTIFAS 9936-I ORB	Oil Rubbed Bronze		\$1770
1 - LF 99 8" Outlet Section	S-LTIFAS 9936-I SB	Satin Bronze		\$1770
2 - GJS 65 Joiner Strip	S-LTIFAS 9936-I BK	Matte Black		\$1770
1 - ZSIKA M1 Sealant	1 - HMK-A Hair Maintenance Kit: 1 - AKEY Lift Out Key			
	1 - CDI 43W/CDP 43W/CDA 43W Drain Body*			
48" Complete Kit Includes:	S-LTIFAS 9948-I SS	Satin Stainless	9	\$1850
1 - RA 6548 Tile Insert Frame	S-LTIFAS 9948-I PS	Polished Stainless		\$2020
1 - LC 6540 Channel	S-LTIFAS 9948-I ORB	Oil Rubbed Bronze		\$2020
1 - LF 99 8" Outlet Section	S-LTIFAS 9948-I SB	Satin Bronze		\$2020
2 - GJS 65 Joiner Strip	S-LTIFAS 9948-I BK	Matte Black		\$2020
1 - ZSIKA M1 Sealant	1 - HMK-A Hair Maintenance Kit: 1 - AKEY Lift Out Key			
	1 - CDI 43W/CDP 43W/CDA 43W Drain Body*			
60" Complete Kit Includes:	S-LTIFAS 9960-I SS	Satin Stainless	11	\$2155
1 - RA 6560 Tile Insert Frame	S-LTIFAS 9960-I PS	Polished Stainless		\$2385
1 - LC 6552 Channel	S-LTIFAS 9960-I ORB	Oil Rubbed Bronze		\$2385
1 - LF 99 8" Outlet Section	S-LTIFAS 9960-I SB	Satin Bronze		\$2385
2 - GJS 65 Joiner Strip	S-LTIFAS 9960-I BK	Matte Black		\$2385
1 - ZSIKA M1 Sealant	1 - HMK-A Hair Maintenance Kit: 1 - AKEY Lift Out Key			
	1 - CDI 43W/CDP 43W/CDA 43W Drain Body*			
72" Complete Kit Includes:	S-LTIFAS 9972-I SS	Satin Stainless	18	\$3335
2 - RA 6536 Tile Insert Frame	S-LTIFAS 9972-I PS	Polished Stainless		\$3615
1 - LC 6564 Channel	S-LTIFAS 9972-I ORB	Oil Rubbed Bronze		\$3615
2 - LF 99 8" Outlet Section	S-LTIFAS 9972-I SB	Satin Bronze		\$3615
4 - GJS 65 Joiner Strip	S-LTIFAS 9972-I BK	Matte Black		\$3615
1 - ZSIKA M1 Sealant	2 - CDI 43W/CDP 43W/CDA 43W Drain Body*			
	(Two outlets)			
96" Complete Kit Includes:	S-LTIFAS 9996-I SS	Satin Stainless	22	\$3770
2 - RA 6548 Tile Insert Frame	S-LTIFAS 9996-I PS	Polished Stainless		\$4110
1 - LC 6588 Channel	S-LTIFAS 9996-I ORB	Oil Rubbed Bronze		\$4110
2 - LF 99 8" Outlet Section	S-LTIFAS 9996-I SB	Satin Bronze		\$4110
4 - GJS 65 Joiner Strip	S-LTIFAS 9996-I BK	Matte Black		\$4110
1 - ZSIKA M1 Sealant	2 - CDI 43W/CDP 43W/CDA 43W Drain Body*			
	(Two outlets)			

*S-LTIFAS 99 Complete Kits include a Cast Iron Drain Body. If ABS or PVC drain body is desired, replace I with A or P in model number. (Example: S-LTIFAS 9936-P SS)
S-LTIFAS 99 Series is designed to connect to a 3" waste line.

*See page 189 for more information on flow rates. • See page 137 for individual components. • See page 230 for shipping dimensions.



Wedge Wire
Satin Bronze

Slotted
Matte Black

It will challenge
your idea of a
shower drain.



Tile Insert Frame
Satin Stainless

Solid
Satin Stainless

Tile Insert Frame
Matte Black

Linear Fixed Drains

To be seen or not seen. The once humble shower drain is now a point of distinction and a flexibility factor to connoisseurs and devotees of bath design. Modern drains can open up views and provide compelling options. Best of all, they can be custom fabricated to your exact requirements.



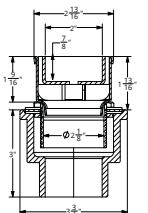
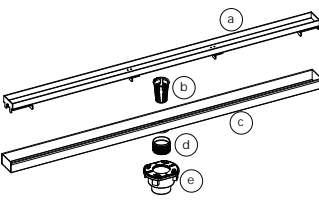

FX Series

Fixed Length



Pitched channel with a set length and center outlet location. Standard kit sizes or custom fabrication are available.


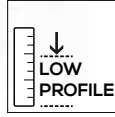

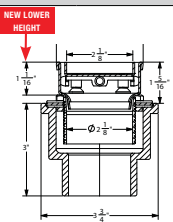
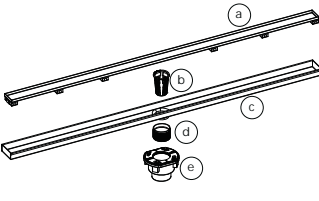

FXTIF 65

Technical Details Grate Material: 12 Gauge 304L Stainless Steel Channel Material: 16 Gauge 304L Stainless Steel Overall Width: 2 13/16" Minimum Height: 1 13/16" Flow Rate: 9 GPM		Tile Insert  Tile not included Open area for material (Depth 3/4")	 NEW Hair Maintenance kit included Learn more on pages 191-192
Section Detail 		 <ul style="list-style-type: none"> (a) TA 65 - Stainless Steel Tile Insert Assembly (b) HB 65 - Hair Basket (c) IC 65 - Stainless Steel Channel (d) TNAS - Threaded Nipple (e) 2 inch clamp down drain assembly Not included in kit SKU. (Material can be Cast Iron, ABS, or PVC) 	Complete Kit Includes: 1 - TA 65 - Tile Insert Frame 1 - IC 65 - Stainless Steel Channel 1 - TNAS - Threaded Nipple 1 - HMK-65-A Hair Maintenance Kit: 1 - HB 65 Hair Basket 1 - AKEY Lift Out Key  NEW Next Day Custom available. See pages 111-114

20" Model	List	40" Model	List	48" Model	List	60" Model	List
FXTIF 6520 SS	\$605	FXTIF 6540 SS	\$960	FXTIF 6548 SS	\$1135	FXTIF 6560 SS	\$1390
FXTIF 6520 PS	\$665	FXTIF 6540 PS	\$1060	FXTIF 6548 PS	\$1255	FXTIF 6560 PS	\$1540
FXTIF 6520 ORB	\$665	FXTIF 6540 ORB	\$1060	FXTIF 6548 ORB	\$1255	FXTIF 6560 ORB	\$1540
FXTIF 6520 SB	\$665	FXTIF 6540 SB	\$1060	FXTIF 6548 SB	\$1255	FXTIF 6560 SB	\$1540
FXTIF 6520 BK	\$665	FXTIF 6540 BK	\$1060	FXTIF 6548 BK	\$1255	FXTIF 6560 BK	\$1540

*See page 189 for more information on flow rates. • See page 143 for individual components. • See page 217 for shipping dimensions.

NEW FXLTIF 65

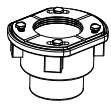
Technical Details Grate Material: 12 Gauge 304L Stainless Steel Channel Material: 16 Gauge 304L Stainless Steel Overall Width: 2 13/16" Minimum Height: 1 5/16" Flow Rate: 9 GPM		Tile Insert  Tile not included Open area for material (Depth 3/8") 	 NEW Hair Maintenance kit included Learn more on pages 191-192
Section Detail 		 <ul style="list-style-type: none"> (a) LA 65 - Stainless Steel Tile Insert (b) HB 65 - Hair Basket (c) XC 65 - Stainless Steel Channel (d) TNAS - Threaded Nipple (e) 2 inch clamp down drain assembly Not included in kit SKU. (Material can be Cast Iron, ABS, or PVC) 	Complete Kit Includes: 1 - LA 65 - Tile Insert Frame 1 - XC 65 - Stainless Steel Channel 1 - TNAS - Threaded Nipple 1 - HMK-65-A Hair Maintenance Kit: 1 - HB 65 Hair Basket 1 - AKEY Lift Out Key  NEW Next Day Custom available. See pages 111-114

24" Model	List	32" Model	List	36" Model	List	42" Model	List	48" Model	List	60" Model	List
FXLTIF 6524 SS	\$515	FXLTIF 6532 SS	\$655	FXLTIF 6536 SS	\$740	FXLTIF 6542 SS	\$880	FXLTIF 6548 SS	\$965	FXLTIF 6560 SS	\$1190
FXLTIF 6524 PS	\$585	FXLTIF 6532 PS	\$745	FXLTIF 6536 PS	\$845	FXLTIF 6542 PS	\$1005	FXLTIF 6548 PS	\$1105	FXLTIF 6560 PS	\$1365
FXLTIF 6524 ORB	\$585	FXLTIF 6532 ORB	\$745	FXLTIF 6536 ORB	\$845	FXLTIF 6542 ORB	\$1005	FXLTIF 6548 ORB	\$1105	FXLTIF 6560 ORB	\$1365
FXLTIF 6524 SB	\$585	FXLTIF 6532 SB	\$745	FXLTIF 6536 SB	\$845	FXLTIF 6542 SB	\$1005	FXLTIF 6548 SB	\$1105	FXLTIF 6560 SB	\$1365
FXLTIF 6524 BK	\$585	FXLTIF 6532 BK	\$745	FXLTIF 6536 BK	\$845	FXLTIF 6542 BK	\$1005	FXLTIF 6548 BK	\$1105	FXLTIF 6560 BK	\$1365

*See page 189 for more information on flow rates. • See page 141-142 for individual components. • See page 217 for shipping dimensions.



FX Series Fixed Length



Complete kits requires 2" clamping floor drain with 2" throat, which is not included in complete kit. If needed, add CDI 22/ CDIH 22/ CDA 22/ CDP 22.

CDI 22 - Cast Iron 2" throat, 2" no hub connect	\$85
CDIH 22 - (For Hot Mop) Cast Iron 2" throat, 2" no hub connect	\$85
CDA 22 - ABS 2" throat, 2" standard connect	\$65
CDP 22 - PVC 2" throat, 2" standard connect	\$65

FXIG 65

Technical Details <table border="1"> <tr> <td>Grate Material:</td> <td>16 Gauge 304L Stainless Steel</td> </tr> <tr> <td>Channel Material:</td> <td>16 Gauge 304L Stainless Steel</td> </tr> <tr> <td>Overall Width:</td> <td>2 13/16"</td> </tr> <tr> <td>Minimum Height:</td> <td>1 5/16"</td> </tr> <tr> <td>Flow Rate:</td> <td>9 GPM</td> </tr> </table>		Grate Material:	16 Gauge 304L Stainless Steel	Channel Material:	16 Gauge 304L Stainless Steel	Overall Width:	2 13/16"	Minimum Height:	1 5/16"	Flow Rate:	9 GPM	Slotted 	 Hair Maintenance kit included Learn more on pages 191-192
Grate Material:	16 Gauge 304L Stainless Steel												
Channel Material:	16 Gauge 304L Stainless Steel												
Overall Width:	2 13/16"												
Minimum Height:	1 5/16"												
Flow Rate:	9 GPM												
Section Detail 		<ul style="list-style-type: none"> a) UA 65 - Stainless Steel Grate b) HB 65 - Hair Basket c) XC 65 - Stainless Steel Channel d) TNAS - Threaded Nipple e) 2 inch clamp down drain assembly Not included in kit SKU. (Material can be Cast Iron, ABS, or PVC) 	Complete Kit Includes: 1 - UA 65 - Stainless Steel Grate 1 - XC 65 - Stainless Steel Channel 1 - TNAS - Threaded Nipple 1 - HMK-65-A Hair Maintenance Kit: 1 - HB 65 Hair Basket 1 - AKEY Lift Out Key										

NEW 24" Model	List	32" Model	List	36" Model	List	42" Model	List	48" Model	List	60" Model	List
FXIG 6524 SS	\$385	FXIG 6532 SS	\$485	FXIG 6536 SS	\$545	FXIG 6542 SS	\$645	FXIG 6548 SS	\$705	FXIG 6560 SS	\$865
FXIG 6524 PS	\$505	FXIG 6532 PS	\$645	FXIG 6536 PS	\$725	FXIG 6542 PS	\$865	FXIG 6548 PS	\$945	FXIG 6560 PS	\$1165
FXIG 6524 ORB	\$505	FXIG 6532 ORB	\$645	FXIG 6536 ORB	\$725	FXIG 6542 ORB	\$865	FXIG 6548 ORB	\$945	FXIG 6560 ORB	\$1165
FXIG 6524 SB	\$505	FXIG 6532 SB	\$645	FXIG 6536 SB	\$725	FXIG 6542 SB	\$865	FXIG 6548 SB	\$945	FXIG 6560 SB	\$1165
FXIG 6524 BK	\$505	FXIG 6532 BK	\$645	FXIG 6536 BK	\$725	FXIG 6542 BK	\$865	FXIG 6548 BK	\$945	FXIG 6560 BK	\$1165

*See page 189 for more information on flow rates. • See page 141-142 for individual components. • See page 217 for shipping dimensions.

FXSG 65

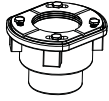
Technical Details <table border="1"> <tr> <td>Grate Material:</td> <td>7 Gauge 304L Stainless Steel</td> </tr> <tr> <td>Channel Material:</td> <td>16 Gauge 304L Stainless Steel</td> </tr> <tr> <td>Overall Width:</td> <td>2 13/16"</td> </tr> <tr> <td>Minimum Height:</td> <td>1 5/16"</td> </tr> <tr> <td>Flow Rate:</td> <td>9 GPM</td> </tr> </table>		Grate Material:	7 Gauge 304L Stainless Steel	Channel Material:	16 Gauge 304L Stainless Steel	Overall Width:	2 13/16"	Minimum Height:	1 5/16"	Flow Rate:	9 GPM	Solid 	 Hair Maintenance kit included Learn more on pages 191-192
Grate Material:	7 Gauge 304L Stainless Steel												
Channel Material:	16 Gauge 304L Stainless Steel												
Overall Width:	2 13/16"												
Minimum Height:	1 5/16"												
Flow Rate:	9 GPM												
Section Detail 		<ul style="list-style-type: none"> a) BA 65 - Stainless Steel Grate b) HB 65 - Hair Basket c) XC 65 - Stainless Steel Channel d) TNAS - Threaded Nipple e) 2 inch clamp down drain assembly Not included in kit SKU. (Material can be Cast Iron, ABS, or PVC) 	Complete Kit Includes: 1 - BA 65 - Stainless Steel Grate 1 - XC 65 - Stainless Steel Channel 1 - TNAS - Threaded Nipple 1 - HMK-65-A Hair Maintenance Kit: 1 - HB 65 Hair Basket 1 - AKEY Lift Out Key										

NEW 24" Model	List	32" Model	List	36" Model	List	42" Model	List	48" Model	List	60" Model	List
FXSG 6524 SS	\$655	FXSG 6532 SS	\$835	FXSG 6536 SS	\$950	FXSG 6542 SS	\$1130	FXSG 6548 SS	\$1245	FXSG 6560 SS	\$1540
FXSG 6524 PS	\$805	FXSG 6532 PS	\$1035	FXSG 6536 PS	\$1175	FXSG 6542 PS	\$1405	FXSG 6548 PS	\$1545	FXSG 6560 PS	\$1915
FXSG 6524 ORB	\$805	FXSG 6532 ORB	\$1035	FXSG 6536 ORB	\$1175	FXSG 6542 ORB	\$1405	FXSG 6548 ORB	\$1545	FXSG 6560 ORB	\$1915
FXSG 6524 SB	\$805	FXSG 6532 SB	\$1035	FXSG 6536 SB	\$1175	FXSG 6542 SB	\$1405	FXSG 6548 SB	\$1545	FXSG 6560 SB	\$1915
FXSG 6524 BK	\$805	FXSG 6532 BK	\$1035	FXSG 6536 BK	\$1175	FXSG 6542 BK	\$1405	FXSG 6548 BK	\$1545	FXSG 6560 BK	\$1915

*See page 189 for more information on flow rates. • See page 141-142 for individual components. • See page 217 for shipping dimensions.

FX Series

Fixed Length



Complete kits requires 2" clamping floor drain with 2" throat, which is not included in complete kit. If needed, add CDI 22/ CDIH 22/ CDA 22/ CDP 22.

CDI 22 - Cast Iron 2" throat, 2" no hub connect	\$85
CDIH 22 - (For Hot Mop) Cast Iron 2" throat, 2" no hub connect	\$85
CDA 22 - ABS 2" throat, 2" standard connect	\$65
CDP 22 - PVC 2" throat, 2" standard connect	\$65

FXAS 65

Technical Details Grate Material: 316L Stainless Steel Channel Material: 16 Gauge 304L Stainless Steel Overall Width: 2 13/16" Minimum Height: 1 5/16" Flow Rate: 9 GPM		Wedge Wire 	 Hair Maintenance kit included Learn more on pages 191-192
Section Detail <ul style="list-style-type: none"> a WA 65 - Stainless Steel Grate b HB 65 - Hair Basket c XC 65 - Stainless Steel Channel d TNAS - Threaded Nipple e 2 inch clamp down drain assembly Not included in kit SKU. (Material can be Cast Iron, ABS, or PVC) 			

NEW 24" Model	List	32" Model	List	36" Model	List	42" Model	List	48" Model	List	60" Model	List
FXAS 6524 SS	\$745	FXAS 6532 SS	\$955	FXAS 6536 SS	\$1085	FXAS 6542 SS	\$1295	FXAS 6548 SS	\$1425	FXAS 6560 SS	\$1765
FXAS 6524 PS	\$875	FXAS 6532 PS	\$1125	FXAS 6536 PS	\$1280	FXAS 6542 PS	\$1530	FXAS 6548 PS	\$1685	FXAS 6560 PS	\$2090
FXAS 6524 ORB	\$875	FXAS 6532 ORB	\$1125	FXAS 6536 ORB	\$1280	FXAS 6542 ORB	\$1530	FXAS 6548 ORB	\$1685	FXAS 6560 ORB	\$2090
FXAS 6524 SB	\$875	FXAS 6532 SB	\$1125	FXAS 6536 SB	\$1280	FXAS 6542 SB	\$1530	FXAS 6548 SB	\$1685	FXAS 6560 SB	\$2090
FXAS 6524 BK	\$875	FXAS 6532 BK	\$1125	FXAS 6536 BK	\$1280	FXAS 6542 BK	\$1530	FXAS 6548 BK	\$1685	FXAS 6560 BK	\$2090



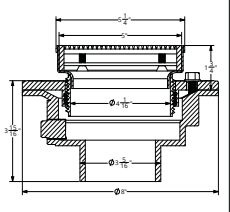
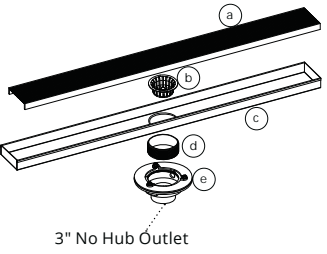
*See page 189 for more information on flow rates. • See page 141-142 for individual components. • See page 217 for shipping dimensions.





FX Series Fixed Length

FXAS 125

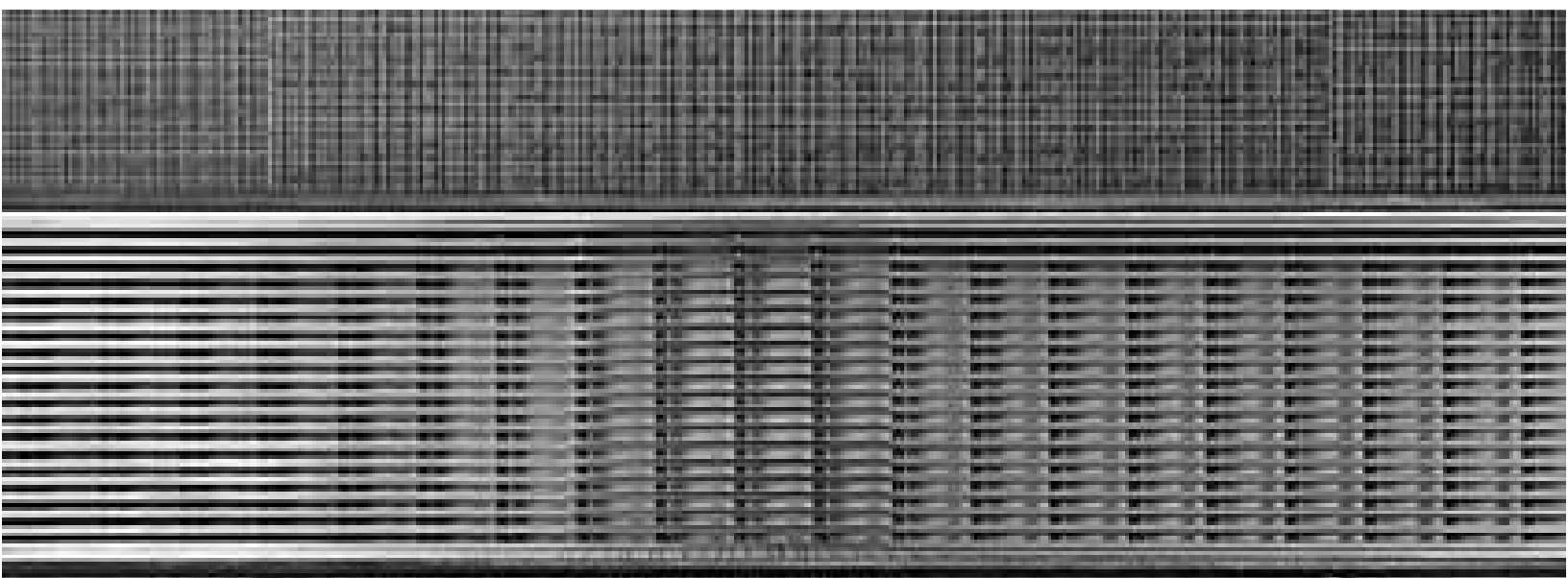
Technical Details Grate Material: 316L Stainless Steel Channel Material: 16 Gauge 304L Stainless Steel Overall Width: 5 1/4" Minimum Height: 1 3/4" Flow Rate: 21 GPM		Wedge Wire 	 Hair Maintenance kit included Learn more on pages 191-192
Section Detail 		 <ul style="list-style-type: none"> a SA 125 - Stainless Steel Grate b HS 4 - Hair Strainer c XC 125 - Stainless Steel Channel d TN4A - Threaded Nipple e CDI 43W/ CDP 43W/ CDA 43W 4 inch throat, 3 inch No Hub Outlet Clamp Down Drain Assembly INCLUDED IN KIT SKU (Material can be Cast Iron, ABS, or PVC)* 	Complete Kit Includes: 1 - SA 125 - Stainless Steel Grate 1 - XC 125 - Stainless Steel Channel 1 - TN4A - Threaded Nipple 1 - HS 4 - Hair Strainer 1 - HMK-A4 Hair Maintenance Kit: 1 - AKEY - Lift-Out Key 1 - CDI 43/CDA 43/CDP 43 Drain Body FXAS 125 Series is designed to connect to a 3" waste line.

32" Model	List	36" Model	List	42" Model	List	48" Model	List	60" Model	List
FXAS 12532-I SS	\$1500	FXAS 12536-I SS	\$1680	FXAS 12542-I SS	\$1960	FXAS 12548-I SS	\$2140	FXAS 12560-I SS	\$2600
FXAS 12532-I PS	\$1825	FXAS 12536-I PS	\$2055	FXAS 12542-I PS	\$2405	FXAS 12548-I PS	\$2640	FXAS 12560-I PS	\$3225
FXAS 12532-I ORB	\$1825	FXAS 12536-I ORB	\$2055	FXAS 12542-I ORB	\$2405	FXAS 12548-I ORB	\$2640	FXAS 12560-I ORB	\$3225
FXAS 12532-I SB	\$1825	FXAS 12536-I SB	\$2055	FXAS 12542-I SB	\$2405	FXAS 12548-I SB	\$2640	FXAS 12560-I SB	\$3225
FXAS 12532-I BK	\$1825	FXAS 12536-I BK	\$2055	FXAS 12542-I BK	\$2405	FXAS 12548-I BK	\$2640	FXAS 12560-I BK	\$3225

*See page 189 for more information on flow rates. • See page 145 for individual components. • See page 216-217 for shipping dimensions.

*FXAS 125 Complete Kits include a Cast Iron Drain Body. If ABS or PVC drain body is desired, replace I with A or P in model number.
(Example:FXAS 12540-P SS)

FXAS 125 series is designed to connect to a 3" waste line.





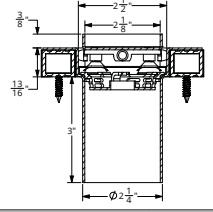
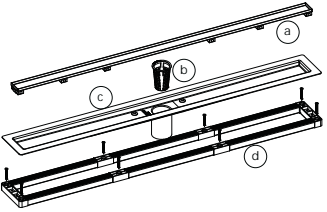

FF Series

Fixed Flange





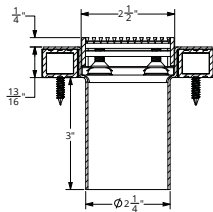
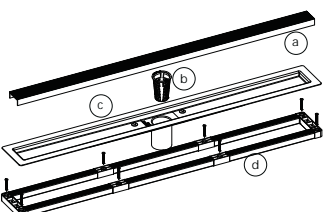

Pitched channel with a set length and center outlet location. 2" no hub connection. Standard kit sizes or custom fabrication are available.

FFTIF 65

Technical Details Grate Material: 16 Gauge 304L Stainless Steel Channel Material: 16 Gauge 304L Stainless Steel Finished Width: 2 1/2" Minimum Height: 1 3/16" Flow Rate: 9 GPM		Tile Insert  Tile not included Open area for material (Depth 3/8")	 NEW Hair Maintenance kit included Learn more on pages 191-192								
Section Detail 		 <ul style="list-style-type: none"> (a) LA 65 - Stainless Steel Tile Insert (b) HB 65 - Hair Basket (c) FC 65 - Stainless Steel Channel (d) ABS Channel Support 	Complete Kit Includes: 1 - LA 65 - Tile Insert Frame 1 - FC 65 - Stainless Steel Channel 1 - ABS Channel Support 1 - ZSIKA - M1 Sealant 1 - HMK-65-A Hair Maintenance Kit: 1 - HB 65 Hair Basket 1 - AKEY Lift Out Key  NEW Next Day Custom available. See pages 111-114								
24" Model	List	32" Model	List	36" Model	List	42" Model	List	48" Model	List	60" Model	List
FFTIF 6524 SS	\$520	FFTIF 6532 SS	\$675	FFTIF 6536 SS	\$770	FFTIF 6542 SS	\$925	FFTIF 6548 SS	\$1020	FFTIF 6560 SS	\$1270
FFTIF 6524 PS	\$560	FFTIF 6532 PS	\$725	FFTIF 6536 PS	\$830	FFTIF 6542 PS	\$995	FFTIF 6548 PS	\$1100	FFTIF 6560 PS	\$1370
FFTIF 6524 ORB	\$560	FFTIF 6532 ORB	\$725	FFTIF 6536 ORB	\$830	FFTIF 6542 ORB	\$995	FFTIF 6548 ORB	\$1100	FFTIF 6560 ORB	\$1370
FFTIF 6524 SB	\$560	FFTIF 6532 SB	\$725	FFTIF 6536 SB	\$830	FFTIF 6542 SB	\$995	FFTIF 6548 SB	\$1100	FFTIF 6560 SB	\$1370
FFTIF 6524 BK	\$560	FFTIF 6532 BK	\$725	FFTIF 6536 BK	\$830	FFTIF 6542 BK	\$995	FFTIF 6548 BK	\$1100	FFTIF 6560 BK	\$1370
(26" L x 4 1/2" W x 1 3/16" H)		(34" L x 4 1/2" W x 1 3/16" H)		(38" L x 4 1/2" W x 1 3/16" H)		(44" L x 4 1/2" W x 1 3/16" H)		(50" L x 4 1/2" W x 1 3/16" H)		(62" L x 4 1/2" W x 1 3/16" H)	

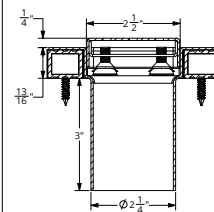
*See page 189 for more information on flow rates. • See page 141-142 for individual components. • See page 215 for shipping dimensions.

FFAS 65

Technical Details Grate Material: 316L Stainless Steel Channel Material: 16 Gauge 304L Stainless Steel Finished Width: 2 1/2" Minimum Height: 1 1/16" Flow Rate: 9 GPM		Wedge Wire 	 NEW Hair Maintenance kit included Learn more on pages 191-192								
Section Detail 		 <ul style="list-style-type: none"> (a) WA 65 - Stainless Steel Grate (b) HB 65 - Hair Basket (c) FC 65 - Stainless Steel Channel (d) ABS Channel Support 	Complete Kit Includes: 1 - WA 65 - Tile Insert Frame 1 - FC 65 - Stainless Steel Channel 1 - ABS Channel Support 1 - ZSIKA - M1 Sealant 1 - HMK-65-A Hair Maintenance Kit: 1 - HB 65 Hair Basket 1 - AKEY Lift Out Key  NEW Next Day Custom available. See pages 111-114								
24" Model	List	32" Model	List	36" Model	List	42" Model	List	48" Model	List	60" Model	List
FFAS 6524 SS	\$750	FFAS 6532 SS	\$975	FFAS 6536 SS	\$1115	FFAS 6542 SS	\$1340	FFAS 6548 SS	\$1480	FFAS 6560 SS	\$1845
FFAS 6524 PS	\$850	FFAS 6532 PS	\$1105	FFAS 6536 PS	\$1265	FFAS 6542 PS	\$1520	FFAS 6548 PS	\$1680	FFAS 6560 PS	\$2095
FFAS 6524 ORB	\$850	FFAS 6532 ORB	\$1105	FFAS 6536 ORB	\$1265	FFAS 6542 ORB	\$1520	FFAS 6548 ORB	\$1680	FFAS 6560 ORB	\$2095
FFAS 6524 SB	\$850	FFAS 6532 SB	\$1105	FFAS 6536 SB	\$1265	FFAS 6542 SB	\$1520	FFAS 6548 SB	\$1680	FFAS 6560 SB	\$2095
FFAS 6524 BK	\$850	FFAS 6532 BK	\$1105	FFAS 6536 BK	\$1265	FFAS 6542 BK	\$1520	FFAS 6548 BK	\$1680	FFAS 6560 BK	\$2095
(26" L x 4 1/2" W x 1 1/16" H)		(34" L x 4 1/2" W x 1 1/16" H)		(38" L x 4 1/2" W x 1 1/16" H)		(44" L x 4 1/2" W x 1 1/16" H)		(50" L x 4 1/2" W x 1 1/16" H)		(62" L x 4 1/2" W x 1 1/16" H)	

*See page 189 for more information on flow rates. • See page 141-142 for individual components. • See page 215 for shipping dimensions.

FFIG 65

Technical Details Grate Material: 16 Gauge 304L Stainless Steel Channel Material: 16 Gauge 304L Stainless Steel Finished Width: 2 1/2" Minimum Height: 1 1/16" Flow Rate: 9 GPM		Slotted 		 <p>NEW Hair Maintenance kit included Learn more on pages 191-192</p>							
Section Detail 		 <ul style="list-style-type: none"> (a) UA 65 - Stainless Steel Grate (b) HB 65 - Hair Basket (c) FC 65 - Stainless Steel Channel (d) ABS Channel Support 		Complete Kit Includes: 1 - UA 65 - Stainless Steel Grate 1 - FC 65 - Stainless Steel Channel 1 - ABS Channel Support 1 - ZSIKA - M1 Sealant 1 - HMK-65-A Hair Maintenance Kit: 1 - HB 65 Hair Basket 1 - AKEY Lift Out Key							
24" Model	List	32" Model	List	36" Model	List	42" Model	List	48" Model	List	60" Model	List
FFIG 6524 SS	\$390	FFIG 6532 SS	\$505	FFIG 6536 SS	\$575	FFIG 6542 SS	\$690	FFIG 6548 SS	\$760	FFIG 6560 SS	\$945
FFIG 6524 PS	\$480	FFIG 6532 PS	\$625	FFIG 6536 PS	\$710	FFIG 6542 PS	\$855	FFIG 6548 PS	\$940	FFIG 6560 PS	\$1170
FFIG 6524 ORB	\$480	FFIG 6532 ORB	\$625	FFIG 6536 ORB	\$710	FFIG 6542 ORB	\$855	FFIG 6548 ORB	\$940	FFIG 6560 ORB	\$1170
FFIG 6524 SB	\$480	FFIG 6532 SB	\$625	FFIG 6536 SB	\$710	FFIG 6542 SB	\$855	FFIG 6548 SB	\$940	FFIG 6560 SB	\$1170
FFIG 6524 BK	\$480	FFIG 6532 BK	\$625	FFIG 6536 BK	\$710	FFIG 6542 BK	\$855	FFIG 6548 BK	\$940	FFIG 6560 BK	\$1170

*See page 189 for more information on flow rates. • See page 141-142 for individual components. • See page 215 for shipping dimensions.

FFSG 65

Technical Details Grate Material: 7 Gauge 304L Stainless Steel Channel Material: 16 Gauge 304L Stainless Steel Finished Width: 2 1/2" Minimum Height: 1 3/16" Flow Rate: 9 GPM		Solid 		 <p>NEW Hair Maintenance kit included Learn more on pages 191-192</p>							
Section Detail 		 <ul style="list-style-type: none"> (a) BA 65 - Stainless Steel Grate (b) HB 65 - Hair Basket (c) FC 65 - Stainless Steel Channel (d) ABS Channel Support 		Complete Kit Includes: 1 - BA 65 - Stainless Steel Grate 1 - FC 65 - Stainless Steel Channel 1 - ABS Channel Support 1 - ZSIKA - M1 Sealant 1 - HMK-65-A Hair Maintenance Kit: 1 - HB 65 Hair Basket 1 - AKEY Lift Out Key							
24" Model	List	32" Model	List	36" Model	List	42" Model	List	48" Model	List	60" Model	List
FFSG 6524 SS	\$660	FFSG 6532 SS	\$855	FFSG 6536 SS	\$980	FFSG 6542 SS	\$1175	FFSG 6548 SS	\$1300	FFSG 6560 SS	\$1620
FFSG 6524 PS	\$780	FFSG 6532 PS	\$1015	FFSG 6536 PS	\$1160	FFSG 6542 PS	\$1395	FFSG 6548 PS	\$1540	FFSG 6560 PS	\$1920
FFSG 6524 ORB	\$780	FFSG 6532 ORB	\$1015	FFSG 6536 ORB	\$1160	FFSG 6542 ORB	\$1395	FFSG 6548 ORB	\$1540	FFSG 6560 ORB	\$1920
FFSG 6524 SB	\$780	FFSG 6532 SB	\$1015	FFSG 6536 SB	\$1160	FFSG 6542 SB	\$1395	FFSG 6548 SB	\$1540	FFSG 6560 SB	\$1920
FFSG 6524 BK	\$780	FFSG 6532 BK	\$1015	FFSG 6536 BK	\$1160	FFSG 6542 BK	\$1395	FFSG 6548 BK	\$1540	FFSG 6560 BK	\$1920

*See page 189 for more information on flow rates. • See page 141-142 for individual components. • See page 215 for shipping dimensions.


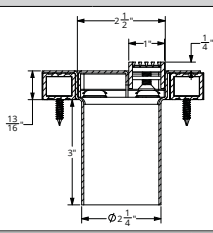
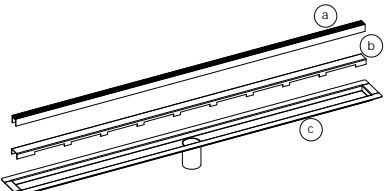
FF Series

Fixed Flange



Pitched channel with a set length and center outlet location. 2" no hub connection. Standard kit sizes or custom fabrication are available.

FFAS 25

Technical Details		Wedge Wire	 <p>Note: Lift-out key and User Guide only. Hair Basket not available in this series.</p>						
Grate Material:	316L Stainless Steel								
Channel Material:	16 Gauge 304L Stainless Steel								
Finished Width:	1"								
Minimum Height:	1 1/16"								
Flow Rate:	9 GPM								
Section Detail			 <ul style="list-style-type: none"> (a) SA 25 - Stainless Steel Grate (b) CI 25 - Channel Insert (c) FC 25 - Stainless Steel Channel 	<p>Complete Kit Includes:</p> <ul style="list-style-type: none"> 1 - SA 65 - Stainless Steel Grate 1 - CI 25 - Channel Insert 1 - FC 25 - Stainless Steel Channel 1 - HMK-A Hair Maintenance Kit: 1 - AKEY Lift Out Key 					
32" Model	List				36" Model	List	42" Model	List	48" Model
FFAS 2532 SS	\$880	FFAS 2536 SS	\$1005	FFAS 2542 SS	\$1275	FFAS 2548 SS	\$1505	FFAS 2560 SS	\$1830
FFAS 2532 PS	\$1010	FFAS 2536 PS	\$1155	FFAS 2542 PS	\$1475	FFAS 2548 PS	\$1755	FFAS 2560 PS	\$2130
FFAS 2532 ORB	\$1010	FFAS 2536 ORB	\$1155	FFAS 2542 ORB	\$1475	FFAS 2548 ORB	\$1755	FFAS 2560 ORB	\$2130
FFAS 2532 SB	\$1010	FFAS 2536 SB	\$1155	FFAS 2542 SB	\$1475	FFAS 2548 SB	\$1755	FFAS 2560 SB	\$2130
FFAS 2532 BK	\$1010	FFAS 2536 BK	\$1155	FFAS 2542 BK	\$1475	FFAS 2548 BK	\$1755	FFAS 2560 BK	\$2130
(34" L x 4 1/2" W x 1 1/16" H)		(38" L x 4 1/2" W x 1 1/16" H)		(44" L x 4 1/2" W x 1 1/16" H)		(50" L x 4 1/2" W x 1 1/16" H)		(62" L x 4 1/2" W x 1 1/16" H)	


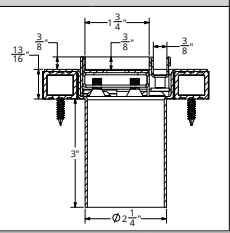
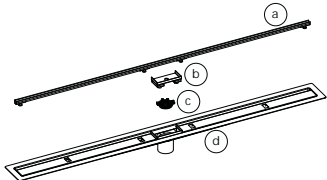

*See page 189 for more information on flow rates. • See page 141-142 for individual components. • See pages 214-215 for shipping dimensions.

FFAS 125

Technical Details		Wedge Wire		 <p>Note: Lift-out key and User Guide only. Hair Basket not available in this series.</p>					
Grate Material:	316L Stainless Steel								
Channel Material:	16 Gauge 304L Stainless Steel								
Finished Width:	5"								
Minimum Height:	1 1/16"								
Flow Rate:	21 GPM								
Section Detail			 <ul style="list-style-type: none"> (a) SA 125 - Stainless Steel Grate (b) FC 125 - Stainless Steel Channel 	<p>Complete Kit Includes:</p> <ul style="list-style-type: none"> 1 - SA 125 - Stainless Steel Grate 1 - FC 125 - Stainless Steel Channel 1 - HMK-A Hair Maintenance Kit: 1 - AKEY Lift Out Key <p>FFAS 125 Series is designed to connect to a 3" waste line.</p>					
32" Model	List				36" Model	List	42" Model	List	48" Model
FFAS 12532 SS	\$1215	FFAS 12536 SS	\$1395	FFAS 12542 SS	\$1675	FFAS 12548 SS	\$1855	FFAS 12560 SS	\$2315
FFAS 12532 PS	\$1500	FFAS 12536 PS	\$1725	FFAS 12542 PS	\$2070	FFAS 12548 PS	\$2295	FFAS 12560 PS	\$2865
FFAS 12532 ORB	\$1500	FFAS 12536 ORB	\$1725	FFAS 12542 ORB	\$2070	FFAS 12548 ORB	\$2295	FFAS 12560 ORB	\$2865
FFAS 12532 SB	\$1500	FFAS 12536 SB	\$1725	FFAS 12542 SB	\$2070	FFAS 12548 SB	\$2295	FFAS 12560 SB	\$2865
FFAS 12532 BK	\$1500	FFAS 12536 BK	\$1725	FFAS 12542 BK	\$2070	FFAS 12548 BK	\$2295	FFAS 12560 BK	\$2865
(34" L x 4 1/2" W x 7" H)		(38" L x 4 1/2" W x 7" H)		(44" L x 4 1/2" W x 7" H)		(50" L x 4 1/2" W x 7" H)		(62" L x 4 1/2" W x 7" H)	

*See page 189 for more information on flow rates. • See page 145 for individual components. • See page 214 for shipping dimensions.

FFST

Technical Details		Slot 	Section Detail 		 <ul style="list-style-type: none"> (a) SLOT - Stainless Steel Slot (b) TI-CL - Cleanout Box (c) HS 2 - Hair Strainer (d) CST 65 - Stainless Steel Channel 		 <p>Hair Maintenance kit included Learn more on pages 191-192</p>		<p>Complete Kit Includes:</p> <ul style="list-style-type: none"> 1 - SLOT - Stainless Steel Slot 1 - CST 65 - Stainless Steel Channel: 1 - STE - Tile Edge 1 - TI-CL - Cleanout Box 1 - HMK-65-S Hair Maintenance Kit: 1 - HS 2 Hair Strainer 1 - SKEY Lift Out Key 									
Slot Material:	18 Gauge 304L Stainless Steel																	
Channel Material:	16 Gauge 304L Stainless Steel																	
Finished Width:	5/8"																	
Minimum Height:	1 3/16"																	
Flow Rate:	9 GPM																	
24" Model	List	32" Model	List	36" Model	List	42" Model	List	48" Model	List	60" Model	List							
FFST 24 SS	\$640	FFST 32 SS	\$785	FFST 36 SS	\$870	FFST 42 SS	\$1015	FFST 48 SS	\$1100	FFST 60 SS	\$1330							
FFST 24 PS	\$690	FFST 32 PS	\$840	FFST 36 PS	\$935	FFST 42 PS	\$1085	FFST 48 PS	\$1180	FFST 60 PS	\$1425							
FFST 24 ORB	\$690	FFST 32 ORB	\$840	FFST 36 ORB	\$935	FFST 42 ORB	\$1085	FFST 48 ORB	\$1180	FFST 60 ORB	\$1425							
FFST 24 SB	\$690	FFST 32 SB	\$840	FFST 36 SB	\$935	FFST 42 SB	\$1085	FFST 48 SB	\$1180	FFST 60 SB	\$1425							
FFST 24 BK	\$690	FFST 32 BK	\$840	FFST 36 BK	\$935	FFST 42 BK	\$1085	FFST 48 BK	\$1180	FFST 60 BK	\$1425							
(26" L x 4 1/2" W x 1 3/16" H)		(34" L x 4 1/2" W x 1 3/16" H)		(38" L x 4 1/2" W x 1 3/16" H)		(44" L x 4 1/2" W x 1 3/16" H)		(50" L x 4 1/2" W x 1 3/16" H)		(62" L x 4 1/2" W x 1 3/16" H)								

*See page 189 for more information on flow rates. • See page 144 for individual components. • See page 215 for shipping dimensions.

Slot Drain





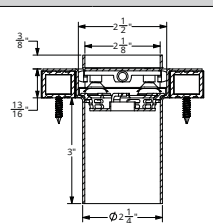
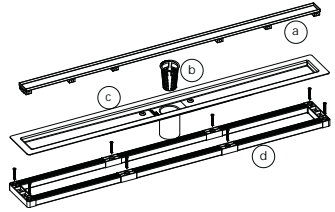

FCS Series

Fixed Flange with Schluter® Kerdi Waterproofing





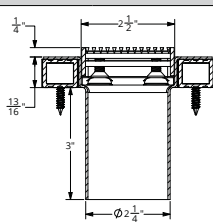
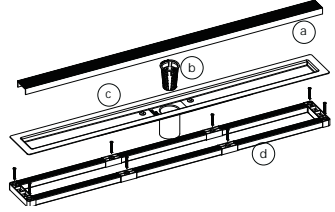

Pitched channel with Schluter®-Kerdi fabric in a set length and center outlet location. 2" no hub connection. Standard kit sizes or custom fabrication available. **FCS series linear drains are compliant with Schluter®-Kerdi shower system warranty. Warranty backed by Infinity Drain.**

FCSTIF 65

Technical Details Grate Material: 16 Gauge 304L Stainless Steel Channel Material: 16 Gauge 304L Stainless Steel Finished Width: 2 1/2" Minimum Height: 1 3/16" Flow Rate: 9 GPM		Tile Insert  <p>Tile not included Open area for material (Depth 3/8")</p>		 <p>NEW Hair Maintenance kit included Learn more on pages 191-192</p>							
Section Detail 		 <ul style="list-style-type: none"> (a) LA 65 - Stainless Steel Tile Insert (b) HB 65 - Hair Basket (c) FCS 65 - Stainless Steel Channel (d) ABS Channel Support 		Complete Kit Includes: 1 - LA 65 - Tile Insert Frame 1 - FCS 65 - Stainless Steel Channel 1 - ABS Channel Support 1 - ZSIKA - M1 Sealant 1 - HMK-65-A Hair Maintenance Kit: 1 - HB 65 Hair Basket 1 - AKEY Lift Out Key  NEW Next Day Custom available. See pages 111-114							
24" Model	List	32" Model	List	36" Model	List	42" Model	List	48" Model	List	60" Model	List
FCSTIF 6524 SS	\$650	FCSTIF 6532 SS	\$845	FCSTIF 6536 SS	\$965	FCSTIF 6542 SS	\$1155	FCSTIF 6548 SS	\$1280	FCSTIF 6560 SS	\$1595
FCSTIF 6524 PS	\$690	FCSTIF 6532 PS	\$895	FCSTIF 6536 PS	\$1025	FCSTIF 6542 PS	\$1225	FCSTIF 6548 PS	\$1360	FCSTIF 6560 PS	\$1695
FCSTIF 6524 ORB	\$690	FCSTIF 6532 ORB	\$895	FCSTIF 6536 ORB	\$1025	FCSTIF 6542 ORB	\$1225	FCSTIF 6548 ORB	\$1360	FCSTIF 6560 ORB	\$1695
FCSTIF 6524 SB	\$690	FCSTIF 6532 SB	\$895	FCSTIF 6536 SB	\$1025	FCSTIF 6542 SB	\$1225	FCSTIF 6548 SB	\$1360	FCSTIF 6560 SB	\$1695
FCSTIF 6524 BK	\$690	FCSTIF 6532 BK	\$895	FCSTIF 6536 BK	\$1025	FCSTIF 6542 BK	\$1225	FCSTIF 6548 BK	\$1360	FCSTIF 6560 BK	\$1695
(26" L x 4 1/2" W x 1 3/16" H)		(34" L x 4 1/2" W x 1 3/16" H)		(38" L x 4 1/2" W x 1 3/16" H)		(44" L x 4 1/2" W x 1 3/16" H)		(50" L x 4 1/2" W x 1 3/16" H)		(62" L x 4 1/2" W x 1 3/16" H)	

*See page 189 for more information on flow rates. • See page 141-142 for individual components. • See page 214 for shipping dimensions.

FCSAS 65

Technical Details Grate Material: 316L Stainless Steel Channel Material: 16 Gauge 304L Stainless Steel Finished Width: 2 1/2" Minimum Height: 1 1/16" Flow Rate: 9 GPM		Wedge Wire 		 <p>NEW Hair Maintenance kit included Learn more on pages 191-192</p>							
Section Detail 		 <ul style="list-style-type: none"> (a) WA 65 - Stainless Steel Grate (b) HB 65 - Hair Basket (c) FCS 65 - Stainless Steel Channel (d) ABS Channel Support 		Complete Kit Includes: 1 - WA 65 - Stainless Steel Grate 1 - FCS 65 - Stainless Steel Channel 1 - ABS Channel Support 1 - ZSIKA - M1 Sealant 1 - HMK-65-A Hair Maintenance Kit: 1 - HB 65 Hair Basket 1 - AKEY Lift Out Key  NEW Next Day Custom available. See pages 111-114							
24" Model	List	32" Model	List	36" Model	List	42" Model	List	48" Model	List	60" Model	List
FCSAS 6524 SS	\$880	FCSAS 6532 SS	\$1145	FCSAS 6536 SS	\$1310	FCSAS 6542 SS	\$1570	FCSAS 6548 SS	\$1740	FCSAS 6560 SS	\$2170
FCSAS 6524 PS	\$980	FCSAS 6532 PS	\$1275	FCSAS 6536 PS	\$1460	FCSAS 6542 PS	\$1750	FCSAS 6548 PS	\$1940	FCSAS 6560 PS	\$2420
FCSAS 6524 ORB	\$980	FCSAS 6532 ORB	\$1275	FCSAS 6536 ORB	\$1460	FCSAS 6542 ORB	\$1750	FCSAS 6548 ORB	\$1940	FCSAS 6560 ORB	\$2420
FCSAS 6524 SB	\$980	FCSAS 6532 SB	\$1275	FCSAS 6536 SB	\$1460	FCSAS 6542 SB	\$1750	FCSAS 6548 SB	\$1940	FCSAS 6560 SB	\$2420
FCSAS 6524 BK	\$980	FCSAS 6532 BK	\$1275	FCSAS 6536 BK	\$1460	FCSAS 6542 BK	\$1750	FCSAS 6548 BK	\$1940	FCSAS 6560 BK	\$2420
(26" L x 4 1/2" W x 1 1/16" H)		(34" L x 4 1/2" W x 1 1/16" H)		(38" L x 4 1/2" W x 1 1/16" H)		(44" L x 4 1/2" W x 1 1/16" H)		(50" L x 4 1/2" W x 1 1/16" H)		(62" L x 4 1/2" W x 1 1/16" H)	



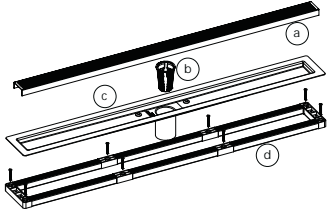
*See page 189 for more information on flow rates. • See page 141-142 for individual components. • See page 213-214 for shipping dimensions.



FCS Series

Fixed Flange with Schluter® Kerdi Waterproofing

FCSIG 65

Technical Details		Slotted									
Grate Material:	16 Gauge 304L Stainless Steel										
Channel Material:	16 Gauge 304L Stainless Steel										
Finished Width:	2 1/2"										
Minimum Height:	1 1/16"										
Flow Rate:	9 GPM										
Section Detail			<ul style="list-style-type: none"> Ⓐ UA 65 - Stainless Steel Grate Ⓑ HB 65 - Hair Basket Ⓒ FCS 65 - Stainless Steel Channel Ⓓ ABS Channel Support 	Complete Kit Includes: 1 - UA 65 - Stainless Steel Grate 1 - FCS 65 - Stainless Steel Channel 1 - ABS Channel Support 1 - ZSIKA - M1 Sealant 1 - HMK-65-A Hair Maintenance Kit: 1 - HB 65 Hair Basket 1 - AKEY Lift Out Key							
24" Model	List	32" Model	List	36" Model	List	42" Model	List	48" Model	List	60" Model	List
FCSIG 6524 SS	\$520	FCSIG 6532 SS	\$675	FCSIG 6536 SS	\$770	FCSIG 6542 SS	\$920	FCSIG 6548 SS	\$1020	FCSIG 6560 SS	\$1270
FCSIG 6524 PS	\$610	FCSIG 6532 PS	\$795	FCSIG 6536 PS	\$905	FCSIG 6542 PS	\$1085	FCSIG 6548 PS	\$1200	FCSIG 6560 PS	\$1495
FCSIG 6524 ORB	\$610	FCSIG 6532 ORB	\$795	FCSIG 6536 ORB	\$905	FCSIG 6542 ORB	\$1085	FCSIG 6548 ORB	\$1200	FCSIG 6560 ORB	\$1495
FCSIG 6524 SB	\$610	FCSIG 6532 SB	\$795	FCSIG 6536 SB	\$905	FCSIG 6542 SB	\$1085	FCSIG 6548 SB	\$1200	FCSIG 6560 SB	\$1495
FCSIG 6524 BK	\$610	FCSIG 6532 BK	\$795	FCSIG 6536 BK	\$905	FCSIG 6542 BK	\$1085	FCSIG 6548 BK	\$1200	FCSIG 6560 BK	\$1495
(26" L x 4 1/2" W x 1 1/16" H)		(34" L x 4 1/2" W x 1 1/16" H)		(38" L x 4 1/2" W x 1 1/16" H)		(44" L x 4 1/2" W x 1 1/16" H)		(50" L x 4 1/2" W x 1 1/16" H)		(62" L x 4 1/2" W x 1 1/16" H)	

*See page 189 for more information on flow rates. • See page 141-142 for individual components. • See page 214 for shipping dimensions.

FCSSG 65

Technical Details		Solid									
Grate Material:	7 Gauge 304L Stainless Steel										
Channel Material:	16 Gauge 304L Stainless Steel										
Finished Width:	2 1/2"										
Minimum Height:	1 3/16"										
Flow Rate:	9 GPM										
Section Detail			<ul style="list-style-type: none"> Ⓐ BA 65 - Stainless Steel Grate Ⓑ HB 65 - Hair Basket Ⓒ FCS 65 - Stainless Steel Channel Ⓓ ABS Channel Support 	Complete Kit Includes: 1 - BA 65 - Stainless Steel Grate 1 - FCS 65 - Stainless Steel Channel 1 - ABS Channel Support 1 - ZSIKA - M1 Sealant 1 - HMK-65-A Hair Maintenance Kit: 1 - HB 65 Hair Basket 1 - AKEY Lift Out Key							
24" Model	List	32" Model	List	36" Model	List	42" Model	List	48" Model	List	60" Model	List
FCSSG 6524 SS	\$790	FCSSG 6532 SS	\$1025	FCSSG 6536 SS	\$1175	FCSSG 6542 SS	\$1405	FCSSG 6548 SS	\$1560	FCSSG 6560 SS	\$1945
FCSSG 6524 PS	\$910	FCSSG 6532 PS	\$1185	FCSSG 6536 PS	\$1355	FCSSG 6542 PS	\$1625	FCSSG 6548 PS	\$1800	FCSSG 6560 PS	\$2245
FCSSG 6524 ORB	\$910	FCSSG 6532 ORB	\$1185	FCSSG 6536 ORB	\$1355	FCSSG 6542 ORB	\$1625	FCSSG 6548 ORB	\$1800	FCSSG 6560 ORB	\$2245
FCSSG 6524 SB	\$910	FCSSG 6532 SB	\$1185	FCSSG 6536 SB	\$1355	FCSSG 6542 SB	\$1625	FCSSG 6548 SB	\$1800	FCSSG 6560 SB	\$2245
FCSSG 6524 BK	\$910	FCSSG 6532 BK	\$1185	FCSSG 6536 BK	\$1355	FCSSG 6542 BK	\$1625	FCSSG 6548 BK	\$1800	FCSSG 6560 BK	\$2245
(26" L x 4 1/2" W x 1 3/16" H)		(34" L x 4 1/2" W x 1 3/16" H)		(38" L x 4 1/2" W x 1 3/16" H)		(44" L x 4 1/2" W x 1 3/16" H)		(50" L x 4 1/2" W x 1 3/16" H)		(62" L x 4 1/2" W x 1 3/16" H)	

*See page 189 for more information on flow rates. • See page 141-142 for individual components. • See page 214 for shipping dimensions.

FCS Series

Fixed Flange with Schluter® Kerdi Waterproofing



Pitched channel with Schluter®-Kerdi fabric in a set length and center outlet location. 2" no hub connection. Standard kit sizes or custom fabrication available. **FCS series linear drains are compliant with Schluter®-Kerdi shower system warranty. Warranty backed by Infinity Drain.**

FCSAS 25

Technical Details Grate Material: 316L Stainless Steel Channel Material: 16 Gauge 304L Stainless Steel Finished Width: 1" Minimum Height: 1 1/16" Flow Rate: 9 GPM		Wedge Wire 	<p>Note: Lift-out key and User Guide only. Hair Basket not available in this series.</p>						
Section Detail 		<ul style="list-style-type: none"> (a) SA 25 - Stainless Steel Grate (b) CI 25 - Channel Insert (c) FCS 25 - Stainless Steel Channel 	Complete Kit Includes: 1 - SA 25 - Stainless Steel Grate 1 - CI 25 - Channel Insert 1 - FCS 25 - Stainless Steel Channel 1 - HMK-A Hair Maintenance Kit: 1 - AKEY Lift Out Key						
32" Model	List	36" Model	List	42" Model	List	48" Model	List	60" Model	List
FCSAS 2532 SS	\$1050	FCSAS 2536 SS	\$1200	FCSAS 2542 SS	\$1505	FCSAS 2548 SS	\$1765	FCSAS 2560 SS	\$2155
FCSAS 2532 PS	\$1180	FCSAS 2536 PS	\$1350	FCSAS 2542 PS	\$1705	FCSAS 2548 PS	\$2015	FCSAS 2560 PS	\$2455
FCSAS 2532 ORB	\$1180	FCSAS 2536 ORB	\$1350	FCSAS 2542 ORB	\$1705	FCSAS 2548 ORB	\$2015	FCSAS 2560 ORB	\$2455
FCSAS 2532 SB	\$1180	FCSAS 2536 SB	\$1350	FCSAS 2542 SB	\$1705	FCSAS 2548 SB	\$2015	FCSAS 2560 SB	\$2455
FCSAS 2532 BK	\$1180	FCSAS 2536 BK	\$1350	FCSAS 2542 BK	\$1705	FCSAS 2548 BK	\$2015	FCSAS 2560 BK	\$2455
(34" L x 4 1/2" W x 1 1/16" H)		(38" L x 4 1/2" W x 1 1/16" H)		(44" L x 4 1/2" W x 1 1/16" H)		(50" L x 4 1/2" W x 1 1/16" H)		(62" L x 4 1/2" W x 1 1/16" H)	



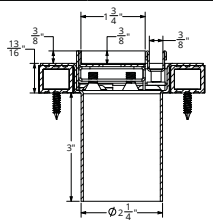
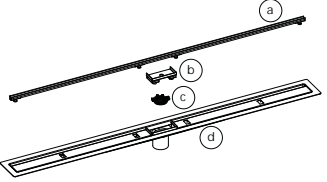
*See page 189 for more information on flow rates. • See page 141-142 for individual components. • See page 213 for shipping dimensions.

FCSAS 125

Technical Details Grate Material: 316L Stainless Steel Channel Material: 16 Gauge 304L Stainless Steel Finished Width: 5" Minimum Height: 1 1/16" Flow Rate: 21 GPM		Wedge Wire 	<p>Note: Lift-out key and User Guide only. Hair Basket not available in this series.</p>						
Section Detail 		<ul style="list-style-type: none"> (a) SA 125 - Stainless Steel Grate (b) FCS 125 - Stainless Steel Channel 	Complete Kit Includes: 1 - SA 125 - Stainless Steel Grate 1 - FCS 125 - Stainless Steel Channel 1 - HMK-A Hair Maintenance Kit: 1 - AKEY Lift Out Key FCSAS 125 Series is designed to connect to a 3" waste line.						
32" Model	List	36" Model	List	42" Model	List	48" Model	List	60" Model	List
FCSAS 12532 SS	\$1385	FCSAS 12536 SS	\$1590	FCSAS 12542 SS	\$1905	FCSAS 12548 SS	\$2115	FCSAS 12560 SS	\$2640
FCSAS 12532 PS	\$1670	FCSAS 12536 PS	\$1920	FCSAS 12542 PS	\$2300	FCSAS 12548 PS	\$2555	FCSAS 12560 PS	\$3190
FCSAS 12532 ORB	\$1670	FCSAS 12536 ORB	\$1920	FCSAS 12542 ORB	\$2300	FCSAS 12548 ORB	\$2555	FCSAS 12560 ORB	\$3190
FCSAS 12532 SB	\$1670	FCSAS 12536 SB	\$1920	FCSAS 12542 SB	\$2300	FCSAS 12548 SB	\$2555	FCSAS 12560 SB	\$3190
FCSAS 12532 BK	\$1670	FCSAS 12536 BK	\$1920	FCSAS 12542 BK	\$2300	FCSAS 12548 BK	\$2555	FCSAS 12560 BK	\$3190
(34" L x 4 1/2" W x 7" H)		(38" L x 4 1/2" W x 7" H)		(44" L x 4 1/2" W x 7" H)		(50" L x 4 1/2" W x 7" H)		(62" L x 4 1/2" W x 7" H)	

*See page 189 for more information on flow rates. • See page 145 for individual components. • See page 213 for shipping dimensions.

FCSST

Technical Details Slot Material: 18 Gauge 304L Stainless Steel Channel Material: 16 Gauge 304L Stainless Steel Finished Width: 5/8" Minimum Height: 1 3/16" Flow Rate: 9 GPM		Slot 		 Hair Maintenance kit included Learn more on pages 191-192							
Section Detail 				Complete Kit Includes: 1 - SLOT - Stainless Steel Slot 1 - CSST 65 - Stainless Steel Channel: 1 - STE - Tile Edge 1 - TI-CL - Cleanout Box 1 - HMK-65-S Hair Maintenance Kit: 1 - HS 2 Hair Strainer 1 - SKEY Lift Out Key							
24" Model	List	32" Model	List	36" Model	List	42" Model	List	48" Model	List	60" Model	List
FCSST 24 SS	\$770	FCSST 32 SS	\$955	FCSST 36 SS	\$1065	FCSST 42 SS	\$1245	FCSST 48 SS	\$1360	FCSST 60 SS	\$1655
FCSST 24 PS	\$820	FCSST 32 PS	\$1010	FCSST 36 PS	\$1130	FCSST 42 PS	\$1315	FCSST 48 PS	\$1440	FCSST 60 PS	\$1750
FCSST 24 ORB	\$820	FCSST 32 ORB	\$1010	FCSST 36 ORB	\$1130	FCSST 42 ORB	\$1315	FCSST 48 ORB	\$1440	FCSST 60 ORB	\$1750
FCSST 24 SB	\$820	FCSST 32 SB	\$1010	FCSST 36 SB	\$1130	FCSST 42 SB	\$1315	FCSST 48 SB	\$1440	FCSST 60 SB	\$1750
FCSST 24 BK	\$820	FCSST 32 BK	\$1010	FCSST 36 BK	\$1130	FCSST 42 BK	\$1315	FCSST 48 BK	\$1440	FCSST 60 BK	\$1750
(26" L x 4 1/2" W x 1 3/16" H)		(34" L x 4 1/2" W x 1 3/16" H)		(38" L x 4 1/2" W x 1 3/16" H)		(44" L x 4 1/2" W x 1 3/16" H)		(50" L x 4 1/2" W x 1 3/16" H)		(62" L x 4 1/2" W x 1 3/16" H)	

*See page 189 for more information on flow rates. • See page 144 for individual components. • See page 214 for shipping dimensions.

Slot Drain





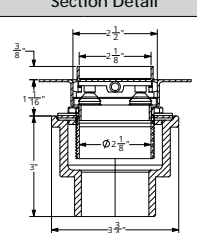
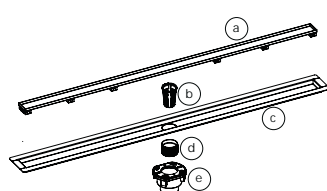
FCB Series

Fixed Flange for Double Waterproofing



Pitched channel with a set length and center outlet location. 2" threaded connection. Standard kit sizes or custom fabrication are available.

FCBTIF 65

Technical Details <table border="1"> <tr><td>Grate Material:</td><td>16 Gauge 304L Stainless Steel</td></tr> <tr><td>Channel Material:</td><td>16 Gauge 304L Stainless Steel</td></tr> <tr><td>Finished Width:</td><td>2 1/2"</td></tr> <tr><td>Minimum Height:</td><td>1 7/16"</td></tr> <tr><td>Flow Rate:</td><td>9 GPM</td></tr> </table>		Grate Material:	16 Gauge 304L Stainless Steel	Channel Material:	16 Gauge 304L Stainless Steel	Finished Width:	2 1/2"	Minimum Height:	1 7/16"	Flow Rate:	9 GPM	 <p>Tile Insert</p> <p>Tile not included Open area for material (Depth 3/8")</p>	 <p>NEW Hair Maintenance kit included Learn more on pages 191-192</p>
Grate Material:	16 Gauge 304L Stainless Steel												
Channel Material:	16 Gauge 304L Stainless Steel												
Finished Width:	2 1/2"												
Minimum Height:	1 7/16"												
Flow Rate:	9 GPM												
Section Detail   <ul style="list-style-type: none"> a LA 65 - Stainless Steel Tile Insert b HB 65 - Hair Basket c FCB 65 - Stainless Steel Channel d TNAS - Threaded Nipple e 2 inch clamp down drain assembly Not included in kit SKU. (Material can be Cast Iron, ABS, or PVC) 		<p>Complete Kit Includes:</p> <ul style="list-style-type: none"> 1 - LA 65 - Tile Insert Frame 1 - FCB 65 - Stainless Steel Channel 1 - TNAS - Threaded Nipple 1 - HMK-65-A Hair Maintenance Kit: <ul style="list-style-type: none"> 1 - HB 65 Hair Basket 1 - AKEY Lift Out Key <p>NEW Next Day Custom available. See pages 111-114</p>											
24" Model	List	32" Model	List	36" Model	List	42" Model	List	48" Model	List	60" Model	List		
FCBTIF 6524 SS	\$520	FCBTIF 6532 SS	\$675	FCBTIF 6536 SS	\$770	FCBTIF 6542 SS	\$925	FCBTIF 6548 SS	\$1020	FCBTIF 6560 SS	\$1270		
FCBTIF 6524 PS	\$560	FCBTIF 6532 PS	\$725	FCBTIF 6536 PS	\$830	FCBTIF 6542 PS	\$995	FCBTIF 6548 PS	\$1100	FCBTIF 6560 PS	\$1370		
FCBTIF 6524 ORB	\$560	FCBTIF 6532 ORB	\$725	FCBTIF 6536 ORB	\$830	FCBTIF 6542 ORB	\$995	FCBTIF 6548 ORB	\$1100	FCBTIF 6560 ORB	\$1370		
FCBTIF 6524 SB	\$560	FCBTIF 6532 SB	\$725	FCBTIF 6536 SB	\$830	FCBTIF 6542 SB	\$995	FCBTIF 6548 SB	\$1100	FCBTIF 6560 SB	\$1370		
FCBTIF 6524 BK	\$560	FCBTIF 6532 BK	\$725	FCBTIF 6536 BK	\$830	FCBTIF 6542 BK	\$995	FCBTIF 6548 BK	\$1100	FCBTIF 6560 BK	\$1370		
(26" L x 4 1/2" W x 1 3/16" H)		(34" L x 4 1/2" W x 1 3/16" H)		(38" L x 4 1/2" W x 1 3/16" H)		(44" L x 4 1/2" W x 1 3/16" H)		(50" L x 4 1/2" W x 1 3/16" H)		(62" L x 4 1/2" W x 1 3/16" H)			

*See page 189 for more information on flow rates. • See page 141-142 for individual components. • See page 213 for shipping dimensions.

FCBAS 65

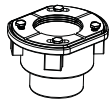
Technical Details <table border="1"> <tr><td>Grate Material:</td><td>316L Stainless Steel</td></tr> <tr><td>Channel Material:</td><td>16 Gauge 304L Stainless Steel</td></tr> <tr><td>Finished Width:</td><td>2 1/2"</td></tr> <tr><td>Minimum Height:</td><td>1 5/16"</td></tr> <tr><td>Flow Rate:</td><td>9 GPM</td></tr> </table>		Grate Material:	316L Stainless Steel	Channel Material:	16 Gauge 304L Stainless Steel	Finished Width:	2 1/2"	Minimum Height:	1 5/16"	Flow Rate:	9 GPM	 <p>Wedge Wire</p>	 <p>NEW Hair Maintenance kit included Learn more on pages 191-192</p>
Grate Material:	316L Stainless Steel												
Channel Material:	16 Gauge 304L Stainless Steel												
Finished Width:	2 1/2"												
Minimum Height:	1 5/16"												
Flow Rate:	9 GPM												
Section Detail   <ul style="list-style-type: none"> a WA 65 - Stainless Steel Grate b HB 65 - Hair Basket c FCB 65 - Stainless Steel Channel d TNAS - Threaded Nipple e 2 inch clamp down drain assembly Not included in kit SKU. (Material can be Cast Iron, ABS, or PVC) 		<p>Complete Kit Includes:</p> <ul style="list-style-type: none"> 1 - WA 65 - Stainless Steel Grate 1 - FCB 65 - Stainless Steel Channel 1 - TNAS - Threaded Nipple 1 - HMK-65-A Hair Maintenance Kit: <ul style="list-style-type: none"> 1 - HB 65 Hair Basket 1 - AKEY Lift Out Key <p>NEW Next Day Custom available. See pages 111-114</p>											
24" Model	List	32" Model	List	36" Model	List	42" Model	List	48" Model	List	60" Model	List		
FCBAS 6524 SS	\$750	FCBAS 6532 SS	\$975	FCBAS 6536 SS	\$1115	FCBAS 6542 SS	\$1340	FCBAS 6548 SS	\$1480	FCBAS 6560 SS	\$1845		
FCBAS 6524 PS	\$850	FCBAS 6532 PS	\$1105	FCBAS 6536 PS	\$1265	FCBAS 6542 PS	\$1520	FCBAS 6548 PS	\$1680	FCBAS 6560 PS	\$2095		
FCBAS 6524 ORB	\$850	FCBAS 6532 ORB	\$1105	FCBAS 6536 ORB	\$1265	FCBAS 6542 ORB	\$1520	FCBAS 6548 ORB	\$1680	FCBAS 6560 ORB	\$2095		
FCBAS 6524 SB	\$850	FCBAS 6532 SB	\$1105	FCBAS 6536 SB	\$1265	FCBAS 6542 SB	\$1520	FCBAS 6548 SB	\$1680	FCBAS 6560 SB	\$2095		
FCBAS 6524 BK	\$850	FCBAS 6532 BK	\$1105	FCBAS 6536 BK	\$1265	FCBAS 6542 BK	\$1520	FCBAS 6548 BK	\$1680	FCBAS 6560 BK	\$2095		
(26" L x 4 1/2" W x 1 1/16" H)		(34" L x 4 1/2" W x 1 1/16" H)		(38" L x 4 1/2" W x 1 1/16" H)		(44" L x 4 1/2" W x 1 1/16" H)		(50" L x 4 1/2" W x 1 1/16" H)		(62" L x 4 1/2" W x 1 1/16" H)			

*See page 189 for more information on flow rates. • See page 141-142 for individual components. • See page 212 for shipping dimensions.



FCB Series

Fixed Flange for Double Waterproofing



Complete kits requires 2" clamping floor drain with 2" throat, which is not included in complete kit. If needed, add CDI 22/ CDIH 22/ CDA 22/ CDP 22.

CDI 22 - Cast Iron 2" throat, 2" no hub connect	\$85
CDIH 22 - (For Hot Mop) Cast Iron 2" throat, 2" no hub connect	\$85
CDA 22 - ABS 2" throat, 2" standard connect	\$65
CDP 22 - PVC 2" throat, 2" standard connect	\$65

FCBIG 65

Technical Details Grate Material: 16 Gauge 304L Stainless Steel Channel Material: 16 Gauge 304L Stainless Steel Finished Width: 2 1/2" Minimum Height: 1 5/16" Flow Rate: 9 GPM		Slotted 									
Section Detail 		<ul style="list-style-type: none"> a UA 65 - Stainless Steel Grate b HB 65 - Hair Basket c FCB 65 - Stainless Steel Channel d TNAS - Threaded Nipple e 2 inch clamp down drain assembly Not included in kit SKU. (Material can be Cast Iron, ABS, or PVC) 		Complete Kit Includes: 1 - UA 65 - Stainless Steel Grate 1 - FCB 65 - Stainless Steel Channel 1 - TNAS - Threaded Nipple 1 - HMK-65-A Hair Maintenance Kit: 1 - HB 65 Hair Basket 1 - AKEY Lift Out Key							
24" Model	List	32" Model	List	36" Model	List	42" Model	List	48" Model	List	60" Model	List
FCBIG 6524 SS	\$390	FCBIG 6532 SS	\$505	FCBIG 6536 SS	\$575	FCBIG 6542 SS	\$690	FCBIG 6548 SS	\$760	FCBIG 6560 SS	\$945
FCBIG 6524 PS	\$480	FCBIG 6532 PS	\$625	FCBIG 6536 PS	\$710	FCBIG 6542 PS	\$855	FCBIG 6548 PS	\$940	FCBIG 6560 PS	\$1170
FCBIG 6524 ORB	\$480	FCBIG 6532 ORB	\$625	FCBIG 6536 ORB	\$710	FCBIG 6542 ORB	\$855	FCBIG 6548 ORB	\$940	FCBIG 6560 ORB	\$1170
FCBIG 6524 SB	\$480	FCBIG 6532 SB	\$625	FCBIG 6536 SB	\$710	FCBIG 6542 SB	\$855	FCBIG 6548 SB	\$940	FCBIG 6560 SB	\$1170
FCBIG 6524 BK	\$480	FCBIG 6532 BK	\$625	FCBIG 6536 BK	\$710	FCBIG 6542 BK	\$855	FCBIG 6548 BK	\$940	FCBIG 6560 BK	\$1170
(26" L x 4 1/2" W x 1 1/16" H)		(34" L x 4 1/2" W x 1 1/16" H)		(38" L x 4 1/2" W x 1 1/16" H)		(44" L x 4 1/2" W x 1 1/16" H)		(50" L x 4 1/2" W x 1 1/16" H)		(62" L x 4 1/2" W x 1 1/16" H)	

*See page 189 for more information on flow rates. • See page 141-142 for individual components. • See page 212 for shipping dimensions.

FCBSG 65

Technical Details Grate Material: 7 Gauge 304L Stainless Steel Channel Material: 16 Gauge 304L Stainless Steel Finished Width: 2 1/2" Minimum Height: 1 7/16" Flow Rate: 9 GPM		Solid 									
Section Detail 		<ul style="list-style-type: none"> a BA 65 - Stainless Steel Grate b HB 65 - Hair Basket c FCB 65 - Stainless Steel Channel d TNAS - Threaded Nipple e 2 inch clamp down drain assembly Not included in kit SKU. (Material can be Cast Iron, ABS, or PVC) 		Complete Kit Includes: 1 - BA 65 - Stainless Steel Grate 1 - FCB 65 - Stainless Steel Channel 1 - TNAS - Threaded Nipple 1 - HMK-65-A Hair Maintenance Kit: 1 - HB 65 Hair Basket 1 - AKEY Lift Out Key							
24" Model	List	32" Model	List	36" Model	List	42" Model	List	48" Model	List	60" Model	List
FCBSG 6524 SS	\$660	FCBSG 6532 SS	\$855	FCBSG 6536 SS	\$980	FCBSG 6542 SS	\$1175	FCBSG 6548 SS	\$1300	FCBSG 6560 SS	\$1620
FCBSG 6524 PS	\$780	FCBSG 6532 PS	\$1015	FCBSG 6536 PS	\$1160	FCBSG 6542 PS	\$1395	FCBSG 6548 PS	\$1540	FCBSG 6560 PS	\$1920
FCBSG 6524 ORB	\$780	FCBSG 6532 ORB	\$1015	FCBSG 6536 ORB	\$1160	FCBSG 6542 ORB	\$1395	FCBSG 6548 ORB	\$1540	FCBSG 6560 ORB	\$1920
FCBSG 6524 SB	\$780	FCBSG 6532 SB	\$1015	FCBSG 6536 SB	\$1160	FCBSG 6542 SB	\$1395	FCBSG 6548 SB	\$1540	FCBSG 6560 SB	\$1920
FCBSG 6524 BK	\$780	FCBSG 6532 BK	\$1015	FCBSG 6536 BK	\$1160	FCBSG 6542 BK	\$1395	FCBSG 6548 BK	\$1540	FCBSG 6560 BK	\$1920
(26" L x 4 1/2" W x 1 3/16" H)		(34" L x 4 1/2" W x 1 3/16" H)		(38" L x 4 1/2" W x 1 3/16" H)		(44" L x 4 1/2" W x 1 3/16" H)		(50" L x 4 1/2" W x 1 3/16" H)		(62" L x 4 1/2" W x 1 3/16" H)	

*See page 189 for more information on flow rates. • See page 141-142 for individual components. • See page 212-213 for shipping dimensions.



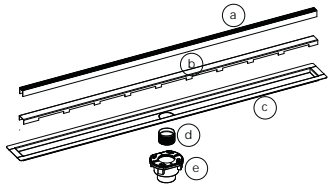
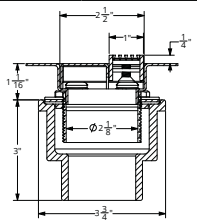
FCB Series

Fixed Flange for Double Waterproofing



Pitched channel with a set length and center outlet location. 2" threaded connection. Standard kit sizes or custom fabrication are available.

FCBAS 25

Technical Details		Wedge Wire	 <p>Note: Lift-out key and User Guide only. Hair Basket not available in this series.</p>						
Grate Material:	316L Stainless Steel				<p>Complete Kit Includes:</p> <ul style="list-style-type: none"> 1 - SA 25 - Stainless Steel Grate 1 - CI 25 - Channel Insert 1 - FCB 25 - Stainless Steel Channel 1 - TNAS - Threaded Nipple 1 - HMK-A Hair Maintenance Kit: <ul style="list-style-type: none"> 1 - AKEY Lift Out Key 				
Channel Material:	16 Gauge 304L Stainless Steel								
Finished Width:	1"								
Minimum Height:	1 1/16"								
Flow Rate:	9 GPM								
Section Detail		 <ul style="list-style-type: none"> a SA 25 - Stainless Steel Grate b CI 25 - Channel Insert c FCB 65 - Stainless Steel Channel d TNAS - Threaded Nipple e 2 inch clamp down drain assembly Not included in kit SKU. (Material can be Cast Iron, ABS, or PVC) 							
									
32" Model	List	36" Model	List	42" Model	List	48" Model	List	60" Model	List
FCBAS 2532 SS	\$880	FCBAS 2536 SS	\$1005	FCBAS 2542 SS	\$1275	FCBAS 2548 SS	\$1505	FCBAS 2560 SS	\$1830
FCBAS 2532 PS	\$1010	FCBAS 2536 PS	\$1155	FCBAS 2542 PS	\$1475	FCBAS 2548 PS	\$1755	FCBAS 2560 PS	\$2130
FCBAS 2532 ORB	\$1010	FCBAS 2536 ORB	\$1155	FCBAS 2542 ORB	\$1475	FCBAS 2548 ORB	\$1755	FCBAS 2560 ORB	\$2130
FCBAS 2532 SB	\$1010	FCBAS 2536 SB	\$1155	FCBAS 2542 SB	\$1475	FCBAS 2548 SB	\$1755	FCBAS 2560 SB	\$2130
FCBAS 2532 BK	\$1010	FCBAS 2536 BK	\$1155	FCBAS 2542 BK	\$1475	FCBAS 2548 BK	\$1755	FCBAS 2560 BK	\$2130
(34" L x 4 1/2" W x 1 1/16" H)		(38" L x 4 1/2" W x 1 1/16" H)		(44" L x 4 1/2" W x 1 1/16" H)		(50" L x 4 1/2" W x 1 1/16" H)		(62" L x 4 1/2" W x 1 1/16" H)	

*See page 189 for more information on flow rates. • See page 141-142 for individual components. • See page 212 for shipping dimensions.

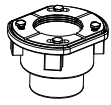


Wedge Wire



FCB Series

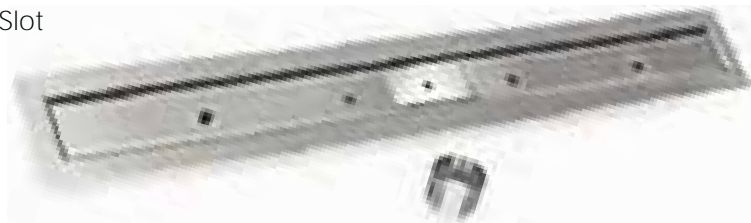

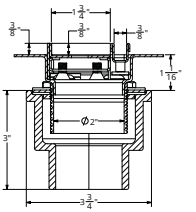
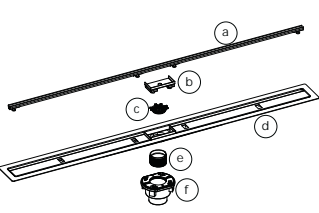
Fixed Flange for Double Waterproofing



Complete kits requires 2" clamping floor drain with 2" throat, which is not included in complete kit. If needed, add CDI 22/ CDIH 22/ CDA 22/ CDP 22.

CDI 22 - Cast Iron 2" throat, 2" no hub connect	\$85
CDIH 22 - (For Hot Mop) Cast Iron 2" throat, 2" no hub connect	\$85
CDA 22 - ABS 2" throat, 2" standard connect	\$65
CDP 22 - PVC 2" throat, 2" standard connect	\$65

FCBST

Technical Details Slot Material: 18 Gauge 304L Stainless Steel Channel Material: 16 Gauge 304L Stainless Steel Finished Width: 5/8" Minimum Height: 1 3/16" Flow Rate: 9 GPM				 Hair Maintenance kit included Learn more on pages 191-192							
Section Detail 				<ul style="list-style-type: none"> (a) SLOT - Stainless Steel Slot (b) TI-CL - Cleanout Box (c) HS 2 - Hair Strainer (d) CBST 65 - Stainless Steel Channel (e) TNAS - Threaded Nipple (f) 2 inch clamp down drain assembly Not included in kit SKU. (Material can be Cast Iron, ABS, or PVC) 							
Complete Kit Includes: 1 - SLOT - Stainless Steel Slot 1 - CBST 65 - Stainless Steel Channel: 1 - STE - Tile Edge 1 - TI-CL - Cleanout Box 1 - TNAS - Threaded Nipple 1 - HMK-65-S Hair Maintenance Kit: 1 - HS 2 Hair Strainer 1 - SKEY Lift Out Key											
24" Model	List	32" Model	List	36" Model	List	42" Model	List	48" Model	List	60" Model	List
FCBST 24 SS	\$640	FCBST 32 SS	\$785	FCBST 36 SS	\$870	FCBST 42 SS	\$1015	FCBST 48 SS	\$1100	FCBST 60 SS	\$1330
FCBST 24 PS	\$690	FCBST 32 PS	\$840	FCBST 36 PS	\$935	FCBST 42 PS	\$1085	FCBST 48 PS	\$1180	FCBST 60 PS	\$1425
FCBST 24 ORB	\$690	FCBST 32 ORB	\$840	FCBST 36 ORB	\$935	FCBST 42 ORB	\$1085	FCBST 48 ORB	\$1180	FCBST 60 ORB	\$1425
FCBST 24 SB	\$690	FCBST 32 SB	\$840	FCBST 36 SB	\$935	FCBST 42 SB	\$1085	FCBST 48 SB	\$1180	FCBST 60 SB	\$1425
FCBST 24 BK	\$690	FCBST 32 BK	\$840	FCBST 36 BK	\$935	FCBST 42 BK	\$1085	FCBST 48 BK	\$1180	FCBST 60 BK	\$1425
(26" L x 4 1/2" W x 1 3/16" H)		(34" L x 4 1/2" W x 1 3/16" H)		(38" L x 4 1/2" W x 1 3/16" H)		(44" L x 4 1/2" W x 1 3/16" H)		(50" L x 4 1/2" W x 1 3/16" H)		(62" L x 4 1/2" W x 1 3/16" H)	

*See page 189 for more information on flow rates. • See page 144 for individual components. • See page 213 for shipping dimensions.



Slot Drain

FT Series

Fixed Flange with Side Outlet



Pitched channel with a set length and center side outlet location. 2" No hub connection. Standard kit sizes or custom fabrication are available.

FTTIF 65

Technical Details		Tile Insert	 <p>Tile not included Open area for material (Depth 3/8")</p>	 <p>Note: Lift-out key and User Guide only. Hair Basket not available in this series.</p>							
Grate Material:	16 Gauge 304L Stainless Steel										
Channel Material:	16 Gauge 304L Stainless Steel										
Finished Width:	2 1/2"										
Minimum Height:	1"										
Flow Rate:	9 GPM										
Section Detail		 <p> (a) LA 65 - Stainless Steel Tile Insert (b) OC 65 - Stainless Steel Channel (c) CF 65 - Channel Feet </p>	<p>Complete Kit Includes:</p> <ul style="list-style-type: none"> 1 - LA 65 - Tile Insert Frame 1 - OC 65 - Stainless Steel Channel 1 - CF 65 - Channel Feet 1 - HMK-A Hair Maintenance Kit: 1 - AKEY Lift Out Key 								
											
24" Model	List	32" Model	List	36" Model	List	42" Model	List	48" Model	List	60" Model	List
FTTIF 6524 SS	\$515	FTTIF 6532 SS	\$670	FTTIF 6536 SS	\$765	FTTIF 6542 SS	\$920	FTTIF 6548 SS	\$1015	FTTIF 6560 SS	\$1265
FTTIF 6524 PS	\$555	FTTIF 6532 PS	\$720	FTTIF 6536 PS	\$825	FTTIF 6542 PS	\$990	FTTIF 6548 PS	\$1095	FTTIF 6560 PS	\$1365
FTTIF 6524 ORB	\$555	FTTIF 6532 ORB	\$720	FTTIF 6536 ORB	\$825	FTTIF 6542 ORB	\$990	FTTIF 6548 ORB	\$1095	FTTIF 6560 ORB	\$1365
FTTIF 6524 SB	\$555	FTTIF 6532 SB	\$720	FTTIF 6536 SB	\$825	FTTIF 6542 SB	\$990	FTTIF 6548 SB	\$1095	FTTIF 6560 SB	\$1365
FTTIF 6524 BK	\$555	FTTIF 6532 BK	\$720	FTTIF 6536 BK	\$825	FTTIF 6542 BK	\$990	FTTIF 6548 BK	\$1095	FTTIF 6560 BK	\$1365
(26" L x 4 1/2" W x 2 5/8" H)		(34" L x 4 1/2" W x 2 5/8" H)		(38" L x 4 1/2" W x 2 5/8" H)		(44" L x 4 1/2" W x 2 5/8" H)		(50" L x 4 1/2" W x 2 5/8" H)		(62" L x 4 1/2" W x 2 5/8" H)	



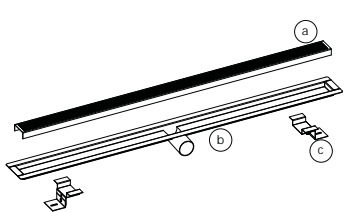
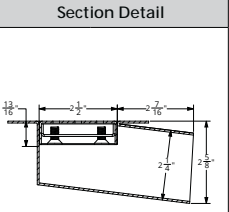
*See page 189 for more information on flow rates. • See page 141-142 for individual components. • See page 216 for shipping dimensions.

FTAS 65

Technical Details		Wedge Wire		 <p>Note: Lift-out key and User Guide only. Hair Basket not available in this series.</p>							
Grate Material:	316L Stainless Steel										
Channel Material:	16 Gauge 304L Stainless Steel										
Finished Width:	2 1/2"										
Minimum Height:	13/16"										
Flow Rate:	9 GPM										
Section Detail		 <p> (a) WA 65 - Stainless Steel Grate (b) OC 65 - Stainless Steel Channel (c) CF 65 - Channel Feet </p>	<p>Complete Kit Includes:</p> <ul style="list-style-type: none"> 1 - WA 65 - Stainless Steel Grate 1 - OC 65 - Stainless Steel Channel 1 - CF 65 - Channel Feet 1 - HMK-A Hair Maintenance Kit: 1 - AKEY Lift Out Key 								
											
24" Model	List	32" Model	List	36" Model	List	42" Model	List	48" Model	List	60" Model	List
FTAS 6524 SS	\$745	FTAS 6532 SS	\$970	FTAS 6536 SS	\$1110	FTAS 6542 SS	\$1335	FTAS 6548 SS	\$1475	FTAS 6560 SS	\$1840
FTAS 6524 PS	\$845	FTAS 6532 PS	\$1100	FTAS 6536 PS	\$1260	FTAS 6542 PS	\$1515	FTAS 6548 PS	\$1675	FTAS 6560 PS	\$2090
FTAS 6524 ORB	\$845	FTAS 6532 ORB	\$1100	FTAS 6536 ORB	\$1260	FTAS 6542 ORB	\$1515	FTAS 6548 ORB	\$1675	FTAS 6560 ORB	\$2090
FTAS 6524 SB	\$845	FTAS 6532 SB	\$1100	FTAS 6536 SB	\$1260	FTAS 6542 SB	\$1515	FTAS 6548 SB	\$1675	FTAS 6560 SB	\$2090
FTAS 6524 BK	\$845	FTAS 6532 BK	\$1100	FTAS 6536 BK	\$1260	FTAS 6542 BK	\$1515	FTAS 6548 BK	\$1675	FTAS 6560 BK	\$2090
(26" L x 4 1/2" W x 2 5/8" H)		(34" L x 4 1/2" W x 2 5/8" H)		(38" L x 4 1/2" W x 2 5/8" H)		(44" L x 4 1/2" W x 2 5/8" H)		(50" L x 4 1/2" W x 2 5/8" H)		(62" L x 4 1/2" W x 2 5/8" H)	

*See page 189 for more information on flow rates. • See page 141-142 for individual components. • See page 216 for shipping dimensions.

FTIG 65

Technical Details		Slotted											
Grate Material:	16 Gauge 304L Stainless Steel												
Channel Material:	16 Gauge 304L Stainless Steel												
Finished Width:	2 1/2"												
Minimum Height:	13/16"												
Flow Rate:	9 GPM												
Section Detail		 <ul style="list-style-type: none"> (a) UA 65 - Stainless Steel Grate (b) OC 65 - Stainless Steel Channel (c) CF 65 - Channel Feet 	<p>Note: Lift-out key and User Guide only. Hair Basket not available in this series.</p> <p>Complete Kit Includes: 1 - UA 65 - Stainless Steel Grate 1 - OC 65 - Stainless Steel Channel 1 - CF 65 - Channel Feet 1 - HMK-A Hair Maintenance Kit: 1 - AKEY Lift Out Key</p>										
													
24" Model	List			32" Model	List	36" Model	List	42" Model	List	48" Model	List	60" Model	List
FTIG 6524 SS	\$385			FTIG 6532 SS	\$500	FTIG 6536 SS	\$570	FTIG 6542 SS	\$685	FTIG 6548 SS	\$755	FTIG 6560 SS	\$940
FTIG 6524 PS	\$475			FTIG 6532 PS	\$620	FTIG 6536 PS	\$705	FTIG 6542 PS	\$850	FTIG 6548 PS	\$935	FTIG 6560 PS	\$1165
FTIG 6524 ORB	\$475	FTIG 6532 ORB	\$620	FTIG 6536 ORB	\$705	FTIG 6542 ORB	\$850	FTIG 6548 ORB	\$935	FTIG 6560 ORB	\$1165		
FTIG 6524 SB	\$475	FTIG 6532 SB	\$620	FTIG 6536 SB	\$705	FTIG 6542 SB	\$850	FTIG 6548 SB	\$935	FTIG 6560 SB	\$1165		
FTIG 6524 BK	\$475	FTIG 6532 BK	\$620	FTIG 6536 BK	\$705	FTIG 6542 BK	\$850	FTIG 6548 BK	\$935	FTIG 6560 BK	\$1165		
(26" L x 4 1/2" W x 2 5/8" H)		(34" L x 4 1/2" W x 2 5/8" H)		(38" L x 4 1/2" W x 2 5/8" H)		(44" L x 4 1/2" W x 2 5/8" H)		(50" L x 4 1/2" W x 2 5/8" H)		(62" L x 4 1/2" W x 2 5/8" H)			

*See page 189 for more information on flow rates. • See page 141-142 for individual components. • See page 216 for shipping dimensions.

FTSG 65

Technical Details		Solid											
Grate Material:	7 Gauge 304L Stainless Steel												
Channel Material:	16 Gauge 304L Stainless Steel												
Finished Width:	2 1/2"												
Minimum Height:	1"												
Flow Rate:	9 GPM												
Section Detail		 <ul style="list-style-type: none"> (a) BA 65 - Stainless Steel Grate (b) OC 65 - Stainless Steel Channel (c) CF 65 - Channel Feet 	<p>Note: Lift-out key and User Guide only. Hair Basket not available in this series.</p> <p>Complete Kit Includes: 1 - BA 65 - Stainless Steel Grate 1 - OC 65 - Stainless Steel Channel 1 - CF 65 - Channel Feet 1 - HMK-A Hair Maintenance Kit: 1 - AKEY Lift Out Key</p>										
													
24" Model	List			32" Model	List	36" Model	List	42" Model	List	48" Model	List	60" Model	List
FTSG 6524 SS	\$655			FTSG 6532 SS	\$850	FTSG 6536 SS	\$975	FTSG 6542 SS	\$1170	FTSG 6548 SS	\$1295	FTSG 6560 SS	\$1615
FTSG 6524 PS	\$775			FTSG 6532 PS	\$1010	FTSG 6536 PS	\$1155	FTSG 6542 PS	\$1390	FTSG 6548 PS	\$1535	FTSG 6560 PS	\$1915
FTSG 6524 ORB	\$775	FTSG 6532 ORB	\$1010	FTSG 6536 ORB	\$1155	FTSG 6542 ORB	\$1390	FTSG 6548 ORB	\$1535	FTSG 6560 ORB	\$1915		
FTSG 6524 SB	\$775	FTSG 6532 SB	\$1010	FTSG 6536 SB	\$1155	FTSG 6542 SB	\$1390	FTSG 6548 SB	\$1535	FTSG 6560 SB	\$1915		
FTSG 6524 BK	\$775	FTSG 6532 BK	\$1010	FTSG 6536 BK	\$1155	FTSG 6542 BK	\$1390	FTSG 6548 BK	\$1535	FTSG 6560 BK	\$1915		
(26" L x 4 1/2" W x 2 5/8" H)		(34" L x 4 1/2" W x 2 5/8" H)		(38" L x 4 1/2" W x 2 5/8" H)		(44" L x 4 1/2" W x 2 5/8" H)		(50" L x 4 1/2" W x 2 5/8" H)		(62" L x 4 1/2" W x 2 5/8" H)			

*See page 189 for more information on flow rates. • See page 141-142 for individual components. • See page 216 for shipping dimensions.

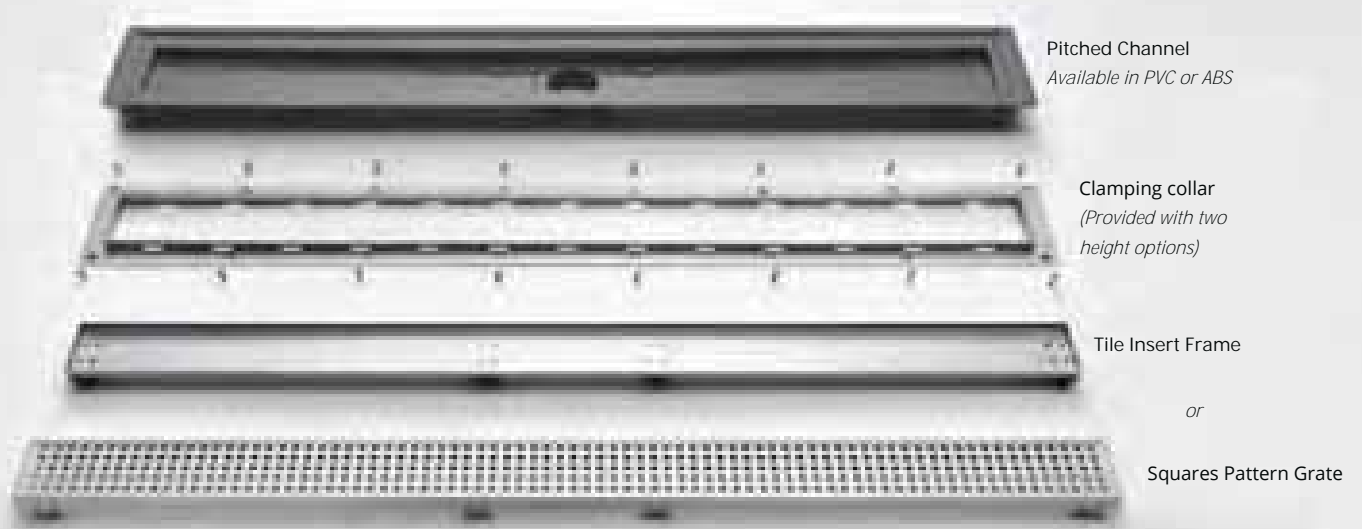
Universal Infinity Drain™

Brilliance
in water
management.

USQ Squares pattern grate - Universal Infinity Drain™ Series

Universal Infinity Drain™

Universal Infinity Drain™ - Complete kit includes pitched channel, clamping collars, and choice of stainless steel Tile Insert Frame or Squares pattern grate.

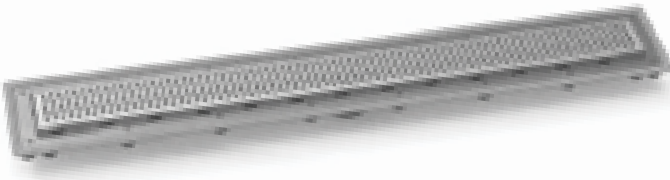

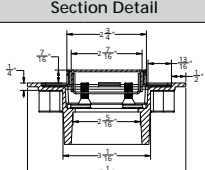
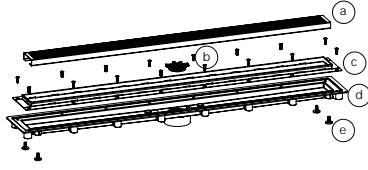


Compatible with both types of waterproofing.
From Vinyl to Liquid/Fabric.

PVC channel with clamping collar - Universal Infinity Drain™ Series



Pitched channel with a set length and center outlet location. 2" or 3" slip fit solvent weld connection.

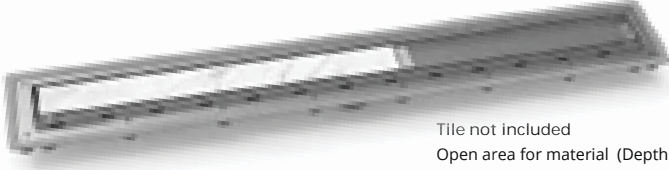

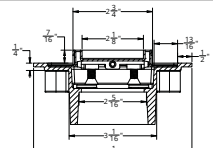
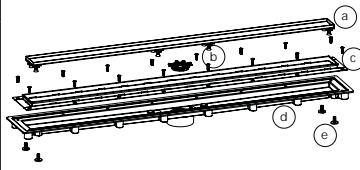
Technical Details Grate Material: 18 Gauge 304L Stainless Steel Clamping Collar Material: 16 Gauge 304L Stainless Steel Channel Material: PVC or ABS Flow Rate: 9 GPM			 <p>NEW</p> Hair Maintenance kit included Learn more on pages 191-192
Section Detail   <ul style="list-style-type: none"> (a) QA 65 - Stainless Steel Grate (b) HS 2 - Hair Strainer (c) Clamping Collar (d) UC Channel (e) Leveling Feet 			

Description	Channel	Model	Finish	Lbs	List
24" Complete Kit (27" L x 5 1/2" W x 1" H)	ABS Channel	USQ-A 24 SS	Satin Stainless		\$300
		USQ-A 24 PS	Polished Stainless		\$325
	PVC Channel	USQ-P 24 SS	Satin Stainless		\$300
		USQ-P 24 PS	Polished Stainless		\$325
30" Complete Kit (33" L x 5 1/2" W x 1" H)	ABS Channel	USQ-A 30 SS	Satin Stainless		\$325
		USQ-A 30 PS	Polished Stainless		\$350
	PVC Channel	USQ-P 30 SS	Satin Stainless		\$325
		USQ-P 30 PS	Polished Stainless		\$350
32" Complete Kit (35" L x 5 1/2" W x 1" H)	ABS Channel	USQ-A 32 SS	Satin Stainless		\$335
		USQ-A 32 PS	Polished Stainless		\$360
	PVC Channel	USQ-P 32 SS	Satin Stainless		\$335
		USQ-P 32 PS	Polished Stainless		\$360
36" Complete Kit (39" L x 5 1/2" W x 1" H)	ABS Channel	USQ-A 36 SS	Satin Stainless		\$350
		USQ-A 36 PS	Polished Stainless		\$375
	PVC Channel	USQ-P 36 SS	Satin Stainless		\$350
		USQ-P 36 PS	Polished Stainless		\$375
42" Complete Kit (45" L x 5 1/2" W x 1" H)	ABS Channel	USQ-A 42 SS	Satin Stainless		\$375
		USQ-A 42 PS	Polished Stainless		\$400
	PVC Channel	USQ-P 42 SS	Satin Stainless		\$375
		USQ-P 42 PS	Polished Stainless		\$400
48" Complete Kit (51" L x 5 1/2" W x 1" H)	ABS Channel	USQ-A 48 SS	Satin Stainless		\$400
		USQ-A 48 PS	Polished Stainless		\$425
	PVC Channel	USQ-P 48 SS	Satin Stainless		\$400
		USQ-P 48 PS	Polished Stainless		\$425
54" Complete Kit (57" L x 5 1/2" W x 1" H)	ABS Channel	USQ-A 54 SS	Satin Stainless		\$425
		USQ-A 54 PS	Polished Stainless		\$450
	PVC Channel	USQ-P 54 SS	Satin Stainless		\$425
		USQ-P 54 PS	Polished Stainless		\$450
60" Complete Kit (63" L x 5 1/2" W x 1" H)	ABS Channel	USQ-A 60 SS	Satin Stainless		\$450
		USQ-A 60 PS	Polished Stainless		\$475
	PVC Channel	USQ-P 60 SS	Satin Stainless		\$450
		USQ-P 60 PS	Polished Stainless		\$475

*See page 189 for more information on flow rates. • See page 151 for individual components. • See page 233 for shipping dimensions.



Pitched channel with a set length and center outlet location. 2" or 3" slip fit solvent weld connection.

Technical Details Grate Material: 16 Gauge 304L Stainless Steel Clamping Collar Material: 16 Gauge 304L Stainless Steel Channel Material: PVC or ABS Flow Rate: 9 GPM		 <p>Tile not included Open area for material (Depth 3/8")</p>	 <p>NEW Hair Maintenance kit included Learn more on pages 191-192</p>
Section Detail 			
		(a) NA 65 - Stainless Steel Tile Insert Frame (b) HS 2 - Hair Strainer (c) Clamping Collar (d) UC Channel (e) Leveling Feet	Complete Kit Includes: 1 - NA 65 - Stainless Steel Grate 1 - UC - Channel (PVC or ABS) 1 - CCL - Clamping Collar (1/2") 1 - CCH - Clamping Collar (1") 1 - HMK-T Hair Maintenance Kit: 1 - HS 2 Hair Strainer 1 - AKEY Lift Out Key

Description	Channel	Model	Finish	Lbs	List
24" Complete Kit (27" L x 5 1/2" W x 1" H)	ABS Channel	UTIF-A 24 SS	Satin Stainless		\$350
	PVC Channel	UTIF-P 24 SS	Satin Stainless		\$350
30" Complete Kit (33" L x 5 1/2" W x 1" H)	ABS Channel	UTIF-A 30 SS	Satin Stainless		\$375
	PVC Channel	UTIF-P 30 SS	Satin Stainless		\$375
32" Complete Kit (35" L x 5 1/2" W x 1" H)	ABS Channel	UTIF-A 32 SS	Satin Stainless		\$385
	PVC Channel	UTIF-P 32 SS	Satin Stainless		\$385
36" Complete Kit (39" L x 5 1/2" W x 1" H)	ABS Channel	UTIF-A 36 SS	Satin Stainless		\$400
	PVC Channel	UTIF-P 36 SS	Satin Stainless		\$400
42" Complete Kit (45" L x 5 1/2" W x 1" H)	ABS Channel	UTIF-A 42 SS	Satin Stainless		\$425
	PVC Channel	UTIF-P 42 SS	Satin Stainless		\$425
48" Complete Kit (51" L x 5 1/2" W x 1" H)	ABS Channel	UTIF-A 48 SS	Satin Stainless		\$450
	PVC Channel	UTIF-P 48 SS	Satin Stainless		\$450
54" Complete Kit (57" L x 5 1/2" W x 1" H)	ABS Channel	UTIF-A 54 SS	Satin Stainless		\$475
	PVC Channel	UTIF-P 54 SS	Satin Stainless		\$475
60" Complete Kit (63" L x 5 1/2" W x 1" H)	ABS Channel	UTIF-A 60 SS	Satin Stainless		\$500
	PVC Channel	UTIF-P 60 SS	Satin Stainless		\$500

*See page 189 for more information on flow rates. • See page 151 for individual components. • See page 233 for shipping dimensions.


The shower —
it's not just how it
looks, it's how it
makes you feel.

Squares
Satin Stainless

Center Drains

Let the structure not distract from the function. In the case of these drains that may be hard to do. Hand polished and designed to exacting standards, you may be compelled to add another shower.

Weave
Matte Black



Tile Drain - Square
Customizable - tile not provided
Satin Stainless

Criss-Cross
Oil Rubbed Bronze

Link
Polished Stainless

Wedge Wire
Satin Stainless


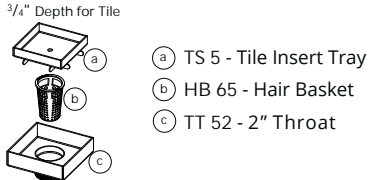
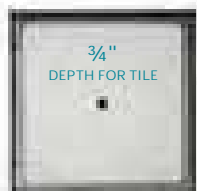

Lines
Matte Black



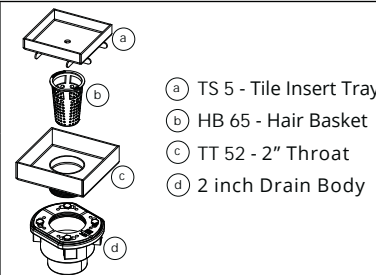
Moor
Satin Bronze



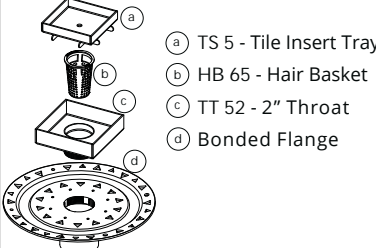
NEW TD 5 - Tile Drain

5"x5" Center Drain (3/4" depth for tile)

Specifications	
Insert Material:	12 Ga. 304L Stainless Steel
Throat Material:	12 Ga. 304L Stainless Steel
Flow Rate:	9 GPM Standard

Description	Finish	Model	Lbs	List
5" x 5" Tile Drain Strainer with 2" Throat: 1 - TS 5 - 5" x 5" Stainless Steel Tile Insert Tray 1 - TT 52 - Stainless Steel 2" Throat 1 - HMK-C2-D Hair Maintenance Kit: 1 - HB 65 Hair Basket 1 - DKEY Lift Out Key	Satin Stainless Polished Stainless Oil Rubbed Bronze Satin Bronze Matte Black	T 5-SS T 5-PS T 5-ORB T 5-SB T 5-BK	1	\$395 \$515 \$515 \$515 \$515
  <p>3/4" Depth for Tile</p> <ul style="list-style-type: none"> (a) TS 5 - Tile Insert Tray (b) HB 65 - Hair Basket (c) TT 52 - 2" Throat 		 <p>NEW Hair Maintenance kit included Learn more on pages 191-192</p>		

Description	Drain Body	Finish	Model	Lbs	List
 5" x 5" Tile Drain Strainer with Drain Body 2" Outlet. Kit Includes: 1 - TS 5 - 5" x 5" Stainless Steel Tile Insert Tray 1 - TT 52 - Stainless Steel 2" Throat 1 - HMK-C2-D Hair Maintenance Kit: 1 - HB 65 Hair Basket 1 - DKEY Lift Out Key 1 - CDI 22/CDIH 22/CDP 22/CDA 22 Drain Body	Cast Iron	Satin Stainless Polished Stainless Oil Rubbed Bronze Satin Bronze Matte Black	TD 5-2I SS TD 5-2I PS TD 5-2I ORB TD 5-2I SB TD 5-2I BK	5	\$480 \$600 \$600 \$600 \$600
	Cast Iron (For Hot Mop)	Satin Stainless Polished Stainless Oil Rubbed Bronze Satin Bronze Matte Black	TD 5-2H SS TD 5-2H PS TD 5-2H ORB TD 5-2H SB TD 5-2H BK	5	\$480 \$600 \$600 \$600 \$600
  <ul style="list-style-type: none"> (a) TS 5 - Tile Insert Tray (b) HB 65 - Hair Basket (c) TT 52 - 2" Throat (d) 2 inch Drain Body 	ABS	Satin Stainless Polished Stainless Oil Rubbed Bronze Satin Bronze Matte Black	TD 5-2A SS TD 5-2A PS TD 5-2A ORB TD 5-2A SB TD 5-2A BK	2	\$460 \$580 \$580 \$580 \$580
	PVC	Satin Stainless Polished Stainless Oil Rubbed Bronze Satin Bronze Matte Black	TD 5-2P SS TD 5-2P PS TD 5-2P ORB TD 5-2P SB TD 5-2P BK	2	\$460 \$580 \$580 \$580 \$580


Description	Bonded Flange	Finish	Model	Lbs	List
 5" x 5" Tile Drain Strainer with Bonded Flange 2", 3", and 4" Outlet. Kit Includes: 1 - TS 5 - 5" x 5" Stainless Steel Tile Insert Tray 1 - TT 52 - Stainless Steel 2" Throat 1 - HMK-C2-D Hair Maintenance Kit: 1 - HB 65 Hair Basket 1 - DKEY Lift Out Key 1 - BFP 22/ BFA 22/ BFS 22 Bonded Flange	PVC	Satin Stainless Polished Stainless Oil Rubbed Bronze Satin Bronze Matte Black	TDB 5-P SS TDB 5-P PS TDB 5-P ORB TDB 5-P SB TDB 5-P BK	2	\$520 \$640 \$640 \$640 \$640
	ABS	Satin Stainless Polished Stainless Oil Rubbed Bronze Satin Bronze Matte Black	TDB 5-A SS TDB 5-A PS TDB 5-A ORB TDB 5-A SB TDB 5-A BK	2	\$520 \$640 \$640 \$640 \$640
  <ul style="list-style-type: none"> (a) TS 5 - Tile Insert Tray (b) HB 65 - Hair Basket (c) TT 52 - 2" Throat (d) Bonded Flange 	Stainless Steel	Satin Stainless Polished Stainless Oil Rubbed Bronze Satin Bronze Matte Black	TDB 5-S SS TDB 5-S PS TDB 5-S ORB TDB 5-S SB TDB 5-S BK	4	\$620 \$740 \$740 \$740 \$740



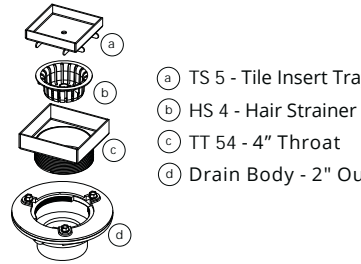
*See page 189 for more information on flow rates. See page 146 for individual components. See page 232 for shipping dimensions.


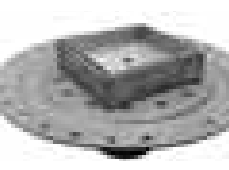
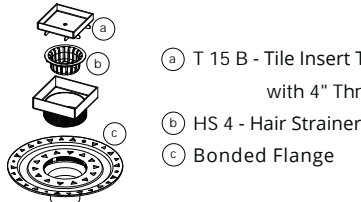
Specifications	
Insert Material:	12 Ga. 304L Stainless Steel
Throat Material:	12 Ga. 304L Stainless Steel
Flow Rate:	9 GPM Standard 21 GPM High Flow


TD 15 - Tile Drain

5"x5" Center Drain (3/4" depth for tile)

Description	Finish	Model	Lbs	List
5" x 5" T 15 A Tile Drain Strainer with 4" Throat: 1 - TS 5 - 5" x 5" Stainless Steel Tile Insert Tray 1 - TT 54 - Stainless Steel 4" Throat 1 - HMK-C4-D Hair Maintenance Kit: 1 - HS 4 Hair Strainer 1 - DKEY Lift Out Key	Satin Stainless Polished Stainless Oil Rubbed Bronze Satin Bronze Matte Black	T 15 A SS T 15 A PS T 15 A ORB T 15 A SB T 15 A BK	1	\$550 \$670 \$670 \$670 \$670
 		 <p>NEW Hair Maintenance kit included Learn more on pages 191-192</p>		

Description	Drain Body	Finish	Model	Lbs	List
 5" x 5" Tile Drain Strainer with Drain Body 2" Outlet. Kit Includes: 1 - TS 5 - 5" x 5" Stainless Steel Tile Insert Tray 1 - TT 54 - Stainless Steel 4" Throat 1 - HMK-C4-D Hair Maintenance Kit: 1 - HS 4 Hair Strainer 1 - DKEY Lift Out Key 1 - CDI 42/CDP 42/CDA 42 Drain Body	Cast Iron	Satin Stainless Polished Stainless Oil Rubbed Bronze Satin Bronze Matte Black	TD 15-2I SS TD 15-2I PS TD 15-2I ORB TD 15-2I SB TD 15-2I BK	5	\$675 \$795 \$795 \$795 \$795
	Cast Iron (For Hot Mop)	Satin Stainless Polished Stainless Oil Rubbed Bronze Satin Bronze Matte Black	TD 15-2H SS TD 15-2H PS TD 15-2H ORB TD 15-2H SB TD 15-2H BK	5	\$675 \$795 \$795 \$795 \$795
 	ABS	Satin Stainless Polished Stainless Oil Rubbed Bronze Satin Bronze Matte Black	TD 15-2A SS TD 15-2A PS TD 15-2A ORB TD 15-2A SB TD 15-2A BK	2	\$675 \$795 \$795 \$795 \$795
	PVC	Satin Stainless Polished Stainless Oil Rubbed Bronze Satin Bronze Matte Black	TD 15-2P SS TD 15-2P PS TD 15-2P ORB TD 15-2P SB TD 15-2P BK	2	\$675 \$795 \$795 \$795 \$795

Description	Bonded Flange	Finish	Model	Lbs	List
 5" x 5" Tile Drain Strainer with Bonded Flange 2", 3", and 4" Outlet. Kit Includes: 1 - T 15 B - 5" x 5" Tile Insert Tray & 4" Throat 1 - HMK-C4-D Hair Maintenance Kit: 1 - HS 4 Hair Strainer 1 - DKEY Lift Out Key 1 - BFP 42/ BFA 42/ BFS 42 Bonded Flange	PVC	Satin Stainless Polished Stainless Oil Rubbed Bronze Satin Bronze Matte Black	TDB 15-P SS TDB 15-P PS TDB 15-P ORB TDB 15-P SB TDB 15-P BK	2	\$675 \$795 \$795 \$795 \$795
	ABS	Satin Stainless Polished Stainless Oil Rubbed Bronze Satin Bronze Matte Black	TDB 15-A SS TDB 15-A PS TDB 15-A ORB TDB 15-A SB TDB 15-A BK	2	\$675 \$795 \$795 \$795 \$795
 	Stainless Steel	Satin Stainless Polished Stainless Oil Rubbed Bronze Satin Bronze Matte Black	TDB 15-S SS TDB 15-S PS TDB 15-S ORB TDB 15-S SB TDB 15-S BK	4	\$775 \$895 \$895 \$895 \$895

Description	Drain Body	Finish	Model	Lbs	List
 5" x 5" Tile Drain Strainer with HIGHFLOW Drain Body 3" Outlet. Kit Includes: 1 - TS 5 - 5" x 5" Tile Insert Tray 1 - TT 54 - 4" Throat 1 - HMK-C4-D Hair Maintenance Kit: 1 - DKEY Lift-Out Key 1 - HS 4 Hair Strainer 1 - CDI/ CDA/ CDP 43 Drain Body	Cast Iron**	Satin Stainless Polished Stainless Oil Rubbed Bronze Satin Bronze Matte Black	TD 15-3I SS TD 15-3I PS TD 15-3I ORB TD 15-3I SB TD 15-3I BK	22	\$675 \$795 \$795 \$795 \$795


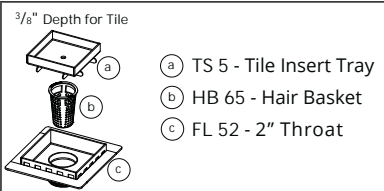
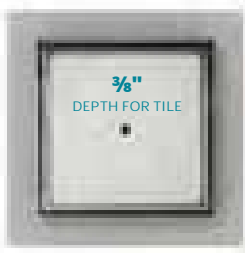

**If ABS or PVC drain body desired, replace I with A or P in model number (Example: TD 15-3A SS)


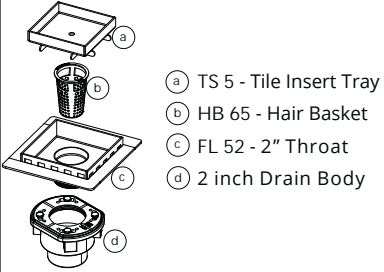
*See page 189 for more information on flow rates. See page 146 for individual components. See page 232 for shipping dimensions.

NEW **TDLF 5 - Tile Drain**
5" x 5" Center Drain ($\frac{3}{8}$ " depth for tile)
Double Waterproofing

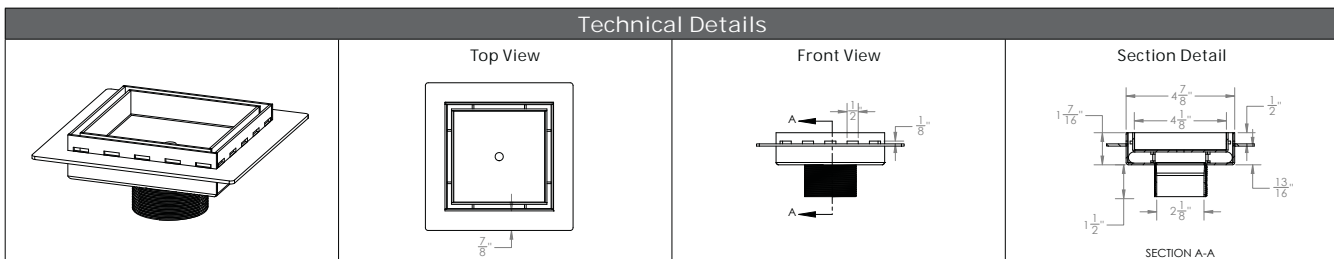


Specifications	
Insert Material:	12 Ga. 304L Stainless Steel
Throat Material:	12 Ga. 304L Stainless Steel
Flow Rate:	9 GPM Standard

Description	Finish	Model	Lbs	List
5" x 5" Tile Drain Strainer with 2" Throat: 1 - TS 5 - 5" x 5" Stainless Steel Tile Insert Tray 1 - FL 52 - Stainless Steel 2" Throat 1 - HMK-C2-D Hair Maintenance Kit: 1 - HB 65 Hair Basket 1 - DKEY Lift Out Key	Satin Stainless Polished Stainless Oil Rubbed Bronze Satin Bronze Matte Black	TLF 5-SS TLF 5-PS TLF 5-ORB TLF 5-SB TLF 5-BK	1	\$495 \$615 \$615 \$615 \$615
 		 <p>NEW Hair Maintenance kit included Learn more on pages 191-192</p>		

Description	Drain Body	Finish	Model	Lbs	List
5" x 5" Tile Drain Strainer with Drain Body 2" Outlet. Kit Includes: 1 - TS 5 - 5" x 5" Stainless Steel Tile Insert Tray 1 - FL 52 - Stainless Steel 2" Throat 1 - HMK-C2-D Hair Maintenance Kit: 1 - HB 65 Hair Basket 1 - DKEY Lift Out Key 1 - CDI 22/CDIH 22/CDP 22/CDA 22 Drain Body	Cast Iron	Satin Stainless Polished Stainless Oil Rubbed Bronze Satin Bronze Matte Black	TDLF 5-2I SS TDLF 5-2I PS TDLF 5-2I ORB TDLF 5-2I SB TDLF 5-2I BK	5	\$580 \$700 \$700 \$700 \$700
	Cast Iron (For Hot Mop)	Satin Stainless Polished Stainless Oil Rubbed Bronze Satin Bronze Matte Black	TDLF 5-2H SS TDLF 5-2H PS TDLF 5-2H ORB TDLF 5-2H SB TDLF 5-2H BK	5	\$580 \$700 \$700 \$700 \$700
 	ABS	Satin Stainless Polished Stainless Oil Rubbed Bronze Satin Bronze Matte Black	TDLF 5-2A SS TDLF 5-2A PS TDLF 5-2A ORB TDLF 5-2A SB TDLF 5-2A BK	2	\$560 \$680 \$680 \$680 \$680
	PVC	Satin Stainless Polished Stainless Oil Rubbed Bronze Satin Bronze Matte Black	TDLF 5-2P SS TDLF 5-2P PS TDLF 5-2P ORB TDLF 5-2P SB TDLF 5-2P BK	2	\$560 \$680 \$680 \$680 \$680

*See page 189 for more information on flow rates. See page 146 for individual components. See page 232 for shipping dimensions.




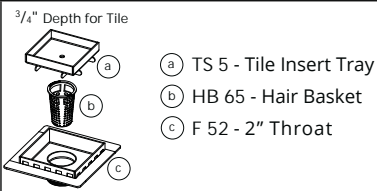


Specifications	
Insert Material:	12 Ga. 304L Stainless Steel
Throat Material:	12 Ga. 304L Stainless Steel
Flow Rate:	9 GPM Standard


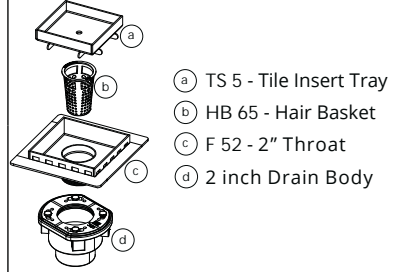


NEW TDF 5 - Tile Drain

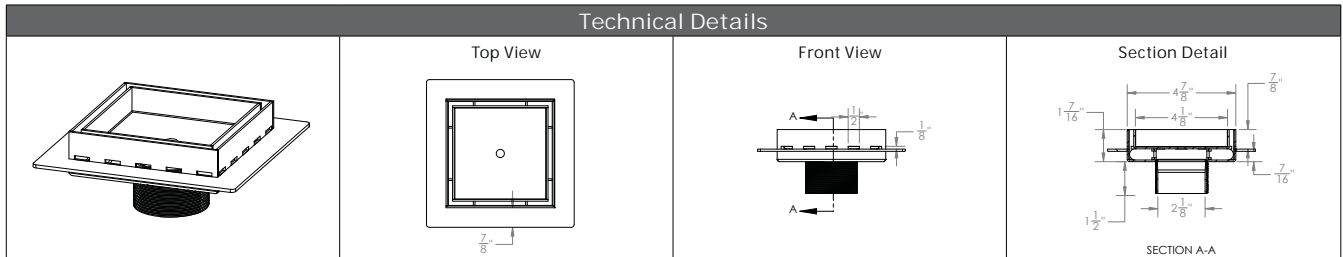
5" x 5" Center Drain ($\frac{3}{4}$ " depth for tile)

Double Waterproofing

Description	Finish	Model	Lbs	List
5" x 5" Tile Drain Strainer with 2" Throat: 1 - TS 5 - 5" x 5" Stainless Steel Tile Insert Tray 1 - F 52 - Stainless Steel 2" Throat 1 - HMK-C2-D Hair Maintenance Kit: 1 - HB 65 Hair Basket 1 - DKEY Lift Out Key	Satin Stainless Polished Stainless Oil Rubbed Bronze Satin Bronze Matte Black	TF 5-SS TF 5-PS TF 5-ORB TF 5-SB TF 5-BK	1	\$495 \$615 \$615 \$615 \$615
 		 <p> NEW Hair Maintenance kit included Learn more on pages 191-192 </p>		

Description	Drain Body	Finish	Model	Lbs	List
5" x 5" Tile Drain Strainer with Drain Body 2" Outlet. Kit Includes: 1 - TS 5 - 5" x 5" Stainless Steel Tile Insert Tray 1 - F 52 - Stainless Steel 2" Throat 1 - HMK-C2-D Hair Maintenance Kit: 1 - HB 65 Hair Basket 1 - DKEY Lift Out Key 1 - CDI 22/CDIH 22/CDP 22/CDA 22 Drain Body	Cast Iron	Satin Stainless Polished Stainless Oil Rubbed Bronze Satin Bronze Matte Black	TDF 5-2I SS TDF 5-2I PS TDF 5-2I ORB TDF 5-2I SB TDF 5-2I BK	5	\$580 \$700 \$700 \$700 \$700
	Cast Iron (For Hot Mop)	Satin Stainless Polished Stainless Oil Rubbed Bronze Satin Bronze Matte Black	TDF 5-2H SS TDF 5-2H PS TDF 5-2H ORB TDF 5-2H SB TDF 5-2H BK	5	\$580 \$700 \$700 \$700 \$700
 	ABS	Satin Stainless Polished Stainless Oil Rubbed Bronze Satin Bronze Matte Black	TDF 5-2A SS TDF 5-2A PS TDF 5-2A ORB TDF 5-2A SB TDF 5-2A BK	2	\$560 \$680 \$680 \$680 \$680
	PVC	Satin Stainless Polished Stainless Oil Rubbed Bronze Satin Bronze Matte Black	TDF 5-2P SS TDF 5-2P PS TDF 5-2P ORB TDF 5-2P SB TDF 5-2P BK	2	\$560 \$680 \$680 \$680 \$680

*See page 189 for more information on flow rates. See page 146 for individual components. See page 232 for shipping dimensions.



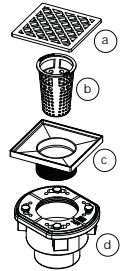



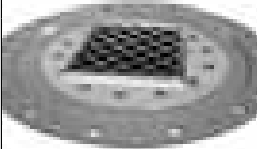
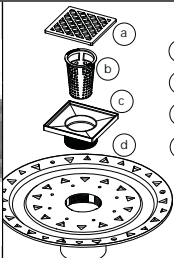
XD 4 - Criss Cross

4"x4" Center Drain

Specifications	
Decorative Plate Material:	7 Ga. 304L Stainless Steel
Throat Material:	304L Stainless Steel
Flow Rate:	9 GPM Standard

Description	Finish	Model	Lbs	List
4" x 4" 304L Stainless Steel Strainer with 2" Throat: 1 - XS 4 - 4" x 4" Stainless Steel Decorative Plate 1 - T 42 - Stainless Steel 2" Throat with mud guard 1 - HMK-C2-D Hair Maintenance Kit: 1 - HB 65 Hair Basket 1 - DKEY Lift Out Key	Satin Stainless Polished Stainless Oil Rubbed Bronze Satin Bronze Matte Black	X 4-SS X 4-PS X 4-ORB X 4-SB X 4-BK	1	\$330 \$430 \$430 \$430 \$430
  <ul style="list-style-type: none"> (a) XS 4 - Decorative Plate (b) HB 65 - Hair Basket (c) T 42 - 2" Throat 		 <p>NEW Hair Maintenance kit included Learn more on pages 191-192</p>		

Description	Drain Body	Finish	Model	Lbs	List
 TRADITIONAL WATERPROOFING 4" x 4" XD 4 Kit with Drain Body 2" Outlet. Kit Includes: 1 - XS 4 - 4" x 4" Stainless Steel Decorative Plate 1 - T 42 - Stainless Steel 2" Throat with mud guard 1 - HMK-C2-D Hair Maintenance Kit: 1 - HB 65 Hair Basket 1 - DKEY Lift Out Key 1 - CDI 22/CDIH 22/CDP 22/CDA 22 Drain Body	Cast Iron	Satin Stainless Polished Stainless Oil Rubbed Bronze Satin Bronze Matte Black	XD 4-2I SS XD 4-2I PS XD 4-2I ORB XD 4-2I SB XD 4-2I BK	5	\$415 \$515 \$515 \$515 \$515
	Cast Iron (For Hot Mop)	Satin Stainless Polished Stainless Oil Rubbed Bronze Satin Bronze Matte Black	XD 4-2H SS XD 4-2H PS XD 4-2H ORB XD 4-2H SB XD 4-2H BK	5	\$415 \$515 \$515 \$515 \$515
  <ul style="list-style-type: none"> (a) XS 4 - Decorative Plate (b) HB 65 - Hair Basket (c) T 42 - 2" Throat (d) 2 inch Drain Body 	ABS	Satin Stainless Polished Stainless Oil Rubbed Bronze Satin Bronze Matte Black	XD 4-2A SS XD 4-2A PS XD 4-2A ORB XD 4-2A SB XD 4-2A BK	2	\$395 \$495 \$495 \$495 \$495
	PVC	Satin Stainless Polished Stainless Oil Rubbed Bronze Satin Bronze Matte Black	XD 4-2P SS XD 4-2P PS XD 4-2P ORB XD 4-2P SB XD 4-2P BK	2	\$395 \$495 \$495 \$495 \$495

Description	Bonded Flange	Finish	Model	Lbs	List
 LIQUID/FABRIC WATERPROOFING 4" x 4" XD 4 Kit with Bonded Flange 2", 3", and 4" Outlet. Kit Includes: 1 - XS 4 - 4" x 4" Stainless Steel Decorative Plate 1 - T 42 - Stainless Steel 2" Throat with mud guard 1 - HMK-C2-D Hair Maintenance Kit: 1 - HB 65 Hair Basket 1 - DKEY Lift Out Key 1 - BFP 22/ BFA 22/ BFS 22 Bonded Flange	PVC	Satin Stainless Polished Stainless Oil Rubbed Bronze Satin Bronze Matte Black	XDB 4-P SS XDB 4-P PS XDB 4-P ORB XDB 4-P SB XDB 4-P BK	2	\$455 \$555 \$555 \$555 \$555
	ABS	Satin Stainless Polished Stainless Oil Rubbed Bronze Satin Bronze Matte Black	XDB 4-A SS XDB 4-A PS XDB 4-A ORB XDB 4-A SB XDB 4-A BK	2	\$455 \$555 \$555 \$555 \$555
  <ul style="list-style-type: none"> (a) XS 4 - Decorative Plate (b) HB 65 - Hair Basket (c) T 42 - 2" Throat (d) Bonded Flange 	Stainless Steel	Satin Stainless Polished Stainless Oil Rubbed Bronze Satin Bronze Matte Black	XDB 4-S SS XDB 4-S PS XDB 4-S ORB XDB 4-S SB XDB 4-S BK	4	\$555 \$655 \$655 \$655 \$655


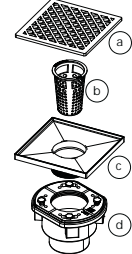
*See page 189 for more information on flow rates. See page 147 for individual components. See page 235-236 for shipping dimensions.

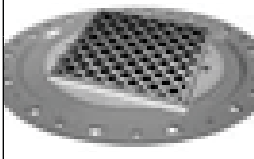
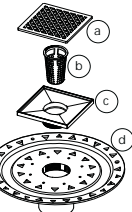
Specifications	
Decorative Plate Material:	7 Ga. 304L Stainless Steel
Throat Material:	304L Stainless Steel
Flow Rate:	9 GPM Standard 21 GPM High Flow

XD 5 - Criss Cross

5"x5" Center Drain

Description	Finish	Model	Lbs	List
5" x 5" 304L Stainless Steel Strainer with 2" Throat: 1 - XS 5 - 5" x 5" Stainless Steel Decorative Plate 1 - T 52 - Stainless Steel 2" Throat with mud guard 1 - HMK-C2-D Hair Maintenance Kit: 1 - HB 65 Hair Basket 1 - DKEY Lift Out Key	Satin Stainless Polished Stainless Oil Rubbed Bronze Satin Bronze Matte Black	X 5-SS X 5-PS X 5-ORB X 5-SB X 5-BK	1	\$390 \$510 \$510 \$510 \$510
  <ul style="list-style-type: none"> (a) XS 5 - Decorative Plate (b) HB 65 - Hair Basket (c) T 52 - 2" Throat 		 <p>NEW</p> <p>Hair Maintenance kit included Learn more on pages 191-192</p>		

Description	Drain Body	Finish	Model	Lbs	List
T TRADITIONAL WATERPROOFING 5" x 5" XD 5 Kit with Drain Body 2" Outlet. Kit Includes: 1 - XS 5 - 5" x 5" Stainless Steel Decorative Plate 1 - T 52 - Stainless Steel 2" Throat with mud guard 1 - HMK-C2-D Hair Maintenance Kit: 1 - HB 65 Hair Basket 1 - DKEY Lift Out Key 1 - CDI 22/CDIH 22/CDP 22/CDA 22 Drain Body	Cast Iron	Satin Stainless Polished Stainless Oil Rubbed Bronze Satin Bronze Matte Black	XD 5-2I SS XD 5-2I PS XD 5-2I ORB XD 5-2I SB XD 5-2I BK	5	\$475 \$595 \$595 \$595 \$595
	Cast Iron (For Hot Mop)	Satin Stainless Polished Stainless Oil Rubbed Bronze Satin Bronze Matte Black	XD 5-2H SS XD 5-2H PS XD 5-2H ORB XD 5-2H SB XD 5-2H BK	5	\$475 \$595 \$595 \$595 \$595
  <ul style="list-style-type: none"> (a) XS 5 - Decorative Plate (b) HB 65 - Hair Basket (c) T 52 - 2" Throat (d) 2 inch Drain Body 	ABS	Satin Stainless Polished Stainless Oil Rubbed Bronze Satin Bronze Matte Black	XD 5-2A SS XD 5-2A PS XD 5-2A ORB XD 5-2A SB XD 5-2A BK	2	\$455 \$575 \$575 \$575 \$575
	PVC	Satin Stainless Polished Stainless Oil Rubbed Bronze Satin Bronze Matte Black	XD 5-2P SS XD 5-2P PS XD 5-2P ORB XD 5-2P SB XD 5-2P BK	2	\$455 \$575 \$575 \$575 \$575

Description	Bonded Flange	Finish	Model	Lbs	List
L/F LIQUID/FABRIC WATERPROOFING 5" x 5" XD 5 Kit with Bonded Flange 2", 3", and 4" Outlet. Kit Includes: 1 - XS 5 - 5" x 5" Stainless Steel Decorative Plate 1 - T 52 - Stainless Steel 2" Throat with mud guard 1 - HMK-C2-D Hair Maintenance Kit: 1 - HB 65 Hair Basket 1 - DKEY Lift Out Key 1 - BFP 22/ BFA 22/ BFS 22 Bonded Flange	PVC	Satin Stainless Polished Stainless Oil Rubbed Bronze Satin Bronze Matte Black	XDB 5-P SS XDB 5-P PS XDB 5-P ORB XDB 5-P SB XDB 5-P BK	2	\$515 \$635 \$635 \$635 \$635
	ABS	Satin Stainless Polished Stainless Oil Rubbed Bronze Satin Bronze Matte Black	XDB 5-A SS XDB 5-A PS XDB 5-A ORB XDB 5-A SB XDB 5-A BK	2	\$515 \$635 \$635 \$635 \$635
  <ul style="list-style-type: none"> (a) XS 5 - Decorative Plate (b) HB 65 - Hair Basket (c) T 52 - 2" Throat (d) Bonded Flange 	Stainless Steel	Satin Stainless Polished Stainless Oil Rubbed Bronze Satin Bronze Matte Black	XDB 5-S SS XDB 5-S PS XDB 5-S ORB XDB 5-S SB XDB 5-S BK	4	\$615 \$735 \$735 \$735 \$735

Description	Drain Body	Finish	Model	Lbs	List
HIGH FLOW 5" x 5" XD 5 Kit with HIGH FLOW Drain Body 3" Outlet. Kit Includes: 1 - XS 5 - 5" x 5" Decorative Plate 1 - T 54 - 4" Throat (High Flow) 1 - HMK-C4-D Hair Maintenance Kit: 1 - DKEY Lift-Out Key 1 - HS 4 Hair Strainer 1 - CDI/ CDA/ CDP 43 Drain Body	Cast Iron**	Satin Stainless Polished Stainless Oil Rubbed Bronze Satin Bronze Matte Black	XD 5-3I SS XD 5-3I PS XD 5-3I ORB XD 5-3I SB XD 5-3I BK	22	\$665 \$785 \$785 \$785 \$785

**If ABS or PVC drain body desired, replace I with A or P in model number (Example: XD 5-3A SS)

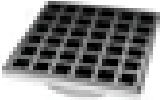
*See page 189 for more information on flow rates. See page 148 for individual components. See page 235-236 for shipping dimensions.


QD 4 - Squares

4"x4" Center Drain


Specifications	
Decorative Plate Material:	7 Ga. 304L Stainless Steel
Throat Material:	304L Stainless Steel
Flow Rate:	9 GPM Standard

Description	Finish	Model	Lbs	List
4" x 4" 304L Stainless Steel Strainer with 2" Throat: 1 - QS 4 - 4" x 4" Stainless Steel Decorative Plate 1 - T 42 - Stainless Steel 2" Throat with mud guard 1 - HMK-C2-D Hair Maintenance Kit: 1 - HB 65 Hair Basket 1 - DKEY Lift Out Key	Satin Stainless	Q 4-SS	1	\$330
	Polished Stainless	Q 4-PS		\$430
	Oil Rubbed Bronze	Q 4-ORB		\$430
	Satin Bronze	Q 4-SB		\$430
	Matte Black	Q 4-BK		\$430






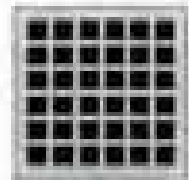
(a) QS 4 - Decorative Plate




(b) HB 65 - Hair Basket



(c) T 42 - 2" Throat







NEW


Hair Maintenance kit included
Learn more on pages 191-192

Description	Drain Body	Finish	Model	Lbs	List
<div style="border: 1px solid black; padding: 2px; width: 30px; text-align: center; font-weight: bold; font-size: 1.2em;">T</div> 4" x 4" QD 4 Kit with Drain Body 2" Outlet. Kit Includes: 1 - QS 4 - 4" x 4" Stainless Steel Decorative Plate 1 - T 42 - Stainless Steel 2" Throat with mud guard 1 - HMK-C2-D Hair Maintenance Kit: 1 - HB 65 Hair Basket 1 - DKEY Lift Out Key 1 - CDI 22/CDIH 22/CDP 22/CDA 22 Drain Body	Cast Iron	Satin Stainless	QD 4-2I SS	5	\$415
		Polished Stainless	QD 4-2I PS		\$515
		Oil Rubbed Bronze	QD 4-2I ORB		\$515
		Satin Bronze	QD 4-2I SB		\$515
		Matte Black	QD 4-2I BK		\$515
	Cast Iron (For Hot Mop)	Satin Stainless	QD 4-2H SS	5	\$415
		Polished Stainless	QD 4-2H PS		\$515
		Oil Rubbed Bronze	QD 4-2H ORB		\$515
		Satin Bronze	QD 4-2H SB		\$515
		Matte Black	QD 4-2H BK		\$515






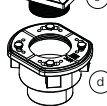
(a) QS 4 - Decorative Plate



(b) HB 65 - Hair Basket

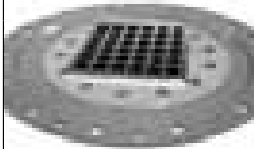



(c) T 42 - 2" Throat




(d) 2 inch Drain Body

Description	Bonded Flange	Finish	Model	Lbs	List
<div style="border: 1px solid black; padding: 2px; width: 30px; text-align: center; font-weight: bold; font-size: 1.2em;">L/F</div> 4" x 4" QD 4 Kit with Bonded Flange 2", 3", and 4" Outlet. Kit Includes: 1 - QS 4 - 4" x 4" Stainless Steel Decorative Plate 1 - T 42 - Stainless Steel 2" Throat with mud guard 1 - HMK-C2-D Hair Maintenance Kit: 1 - HB 65 Hair Basket 1 - DKEY Lift Out Key 1 - BFP 22/ BFA 22/ BFS 22 Bonded Flange	PVC	Satin Stainless	QDB 4-P SS	2	\$455
		Polished Stainless	QDB 4-P PS		\$555
		Oil Rubbed Bronze	QDB 4-P ORB		\$555
		Satin Bronze	QDB 4-P SB		\$555
		Matte Black	QDB 4-P BK		\$555
		ABS	Satin Stainless		QDB 4-A SS
	Polished Stainless		QDB 4-A PS	\$555	
	Oil Rubbed Bronze		QDB 4-A ORB	\$555	
	Satin Bronze		QDB 4-A SB	\$555	
	Matte Black		QDB 4-A BK	\$555	
	Stainless Steel		Satin Stainless	QDB 4-S SS	4
		Polished Stainless	QDB 4-S PS	\$655	
Oil Rubbed Bronze		QDB 4-S ORB	\$655		
Satin Bronze		QDB 4-S SB	\$655		
Matte Black		QDB 4-S BK	\$655		






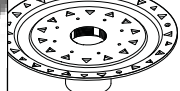
(a) QS 4 - Decorative Plate



(b) HB 65 - Hair Basket



(c) T 42 - 2" Throat



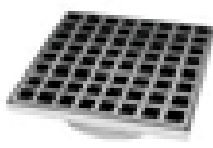
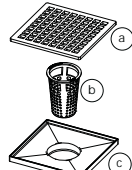
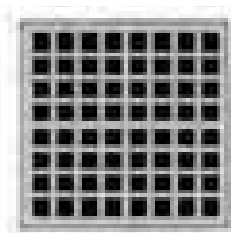

(d) Bonded Flange



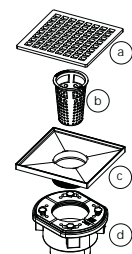
*See page 189 for more information on flow rates. See page 147 for individual components. See page 223 for shipping dimensions.



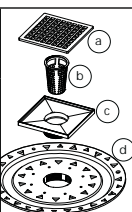
Specifications	
Decorative Plate Material:	7 Ga. 304L Stainless Steel
Throat Material:	304L Stainless Steel
Flow Rate:	9 GPM Standard 21 GPM High Flow


QD 5 - Squares

5"x5" Center Drain

Description	Finish	Model	Lbs	List
5" x 5" 304L Stainless Steel Strainer with 2" Throat: 1 - QS 5 - 5" x 5" Stainless Steel Decorative Plate 1 - T 52 - Stainless Steel 2" Throat with mud guard 1 - HMK-C2-D Hair Maintenance Kit: 1 - HB 65 Hair Basket 1 - DKEY Lift Out Key	Satin Stainless Polished Stainless Oil Rubbed Bronze Satin Bronze Matte Black	Q 5-SS Q 5-PS Q 5-ORB Q 5-SB Q 5-BK	1	\$390 \$510 \$510 \$510 \$510
  <ul style="list-style-type: none"> (a) QS 5 - Decorative Plate (b) HB 65 - Hair Basket (c) T 52 - 2" Throat 		 <p>NEW Hair Maintenance kit included Learn more on pages 191-192</p>		

Description	Drain Body	Finish	Model	Lbs	List
 TRADITIONAL WATERPROOFING 5" x 5" QD 5 Kit with Drain Body 2" Outlet. Kit Includes: 1 - QS 5 - 5" x 5" Stainless Steel Decorative Plate 1 - T 52 - Stainless Steel 2" Throat with mud guard 1 - HMK-C2-D Hair Maintenance Kit: 1 - HB 65 Hair Basket 1 - DKEY Lift Out Key 1 - CDI 22/CDIH 22/CDP 22/CDA 22 Drain Body	Cast Iron	Satin Stainless Polished Stainless Oil Rubbed Bronze Satin Bronze Matte Black	QD 5-2I SS QD 5-2I PS QD 5-2I ORB QD 5-2I SB QD 5-2I BK	5	\$475 \$595 \$595 \$595 \$595
	Cast Iron (For Hot Mop)	Satin Stainless Polished Stainless Oil Rubbed Bronze Satin Bronze Matte Black	QD 5-2H SS QD 5-2H PS QD 5-2H ORB QD 5-2H SB QD 5-2H BK	5	\$475 \$595 \$595 \$595 \$595
  <ul style="list-style-type: none"> (a) QS 5 - Decorative Plate (b) HB 65 - Hair Basket (c) T 52 - 2" Throat (d) 2 inch Drain Body 	ABS	Satin Stainless Polished Stainless Oil Rubbed Bronze Satin Bronze Matte Black	QD 5-2A SS QD 5-2A PS QD 5-2A ORB QD 5-2A SB QD 5-2A BK	2	\$455 \$575 \$575 \$575 \$575
	PVC	Satin Stainless Polished Stainless Oil Rubbed Bronze Satin Bronze Matte Black	QD 5-2P SS QD 5-2P PS QD 5-2P ORB QD 5-2P SB QD 5-2P BK	2	\$455 \$575 \$575 \$575 \$575

Description	Bonded Flange	Finish	Model	Lbs	List
 LIQUID/FABRIC WATERPROOFING 5" x 5" QD 5 Kit with Bonded Flange 2", 3", and 4" Outlet. Kit Includes: 1 - QS 5 - 5" x 5" Stainless Steel Decorative Plate 1 - T 52 - Stainless Steel 2" Throat with mud guard 1 - HMK-C2-D Hair Maintenance Kit: 1 - HB 65 Hair Basket 1 - DKEY Lift Out Key 1 - BFP 22/ BFA 22/ BFS 22 Bonded Flange	PVC	Satin Stainless Polished Stainless Oil Rubbed Bronze Satin Bronze Matte Black	QDB 5-P SS QDB 5-P PS QDB 5-P ORB QDB 5-P SB QDB 5-P BK	2	\$515 \$635 \$635 \$635 \$635
	ABS	Satin Stainless Polished Stainless Oil Rubbed Bronze Satin Bronze Matte Black	QDB 5-A SS QDB 5-A PS QDB 5-A ORB QDB 5-A SB QDB 5-A BK	2	\$515 \$635 \$635 \$635 \$635
  <ul style="list-style-type: none"> (a) QS 5 - Decorative Plate (b) HB 65 - Hair Basket (c) T 52 - 2" Throat (d) Bonded Flange 	Stainless Steel	Satin Stainless Polished Stainless Oil Rubbed Bronze Satin Bronze Matte Black	QDB 5-S SS QDB 5-S PS QDB 5-S ORB QDB 5-S SB QDB 5-S BK	4	\$615 \$735 \$735 \$735 \$735

Description	Drain Body	Finish	Model	Lbs	List
 HIGH FLOW 5" x 5" QD 5 Kit with HIGH FLOW Drain Body 3" Outlet. Kit Includes: 1 - QS 5 - 5" x 5" Decorative Plate 1 - T 54 - 4" Throat (High Flow) 1 - HMK-C4-D Hair Maintenance Kit: 1 - DKEY Lift-Out Key 1 - HS 4 Hair Strainer 1 - CDI/ CDA/ CDP 43 Drain Body	Cast Iron**	Satin Stainless Polished Stainless Oil Rubbed Bronze Satin Bronze Matte Black	QD 5-3I SS QD 5-3I PS QD 5-3I ORB QD 5-3I SB QD 5-3I BK	22	\$665 \$785 \$785 \$785 \$785

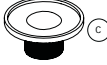

**If ABS or PVC drain body desired, replace I with A or P in model number (Example: QD 5-3A SS)


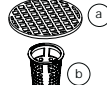
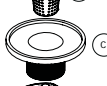
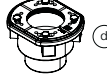
*See page 189 for more information on flow rates. See page 148 for individual components. See page 223 for shipping dimensions.


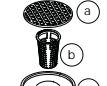
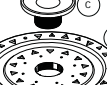

RQD 5 - Squares

5" Round Center Drain

Specifications	
Decorative Plate Material:	7 Ga. 304L Stainless Steel
Throat Material:	304L Stainless Steel
Flow Rate:	9 GPM Standard 21 GPM High Flow

Description	Finish	Model	Lbs	List
5" 304L Stainless Steel Strainer with 2" Throat: 1 - RQS 5 - 5" Stainless Steel Decorative Plate 1 - T 52 - Stainless Steel 2" Throat with mud guard 1 - HMK-C2-D Hair Maintenance Kit: 1 - HB 65 Hair Basket 1 - DKEY Lift Out Key	Satin Stainless Polished Stainless Oil Rubbed Bronze Satin Bronze Matte Black	RO 5-SS RO 5-PS RO 5-ORB RO 5-SB RO 5-BK	1	\$390 \$510 \$510 \$510 \$510
  				
				
		Hair Maintenance kit included Learn more on pages 191-192		

Description	Drain Body	Finish	Model	Lbs	List
T TRADITIONAL WATERPROOFING 5" RQD 5 Kit with Drain Body 2" Outlet. Kit Includes: 1 - RQS 5 - 5" Stainless Steel Decorative Plate 1 - T 52 - Stainless Steel 2" Throat with mud guard 1 - HMK-C2-D Hair Maintenance Kit: 1 - HB 65 Hair Basket 1 - DKEY Lift Out Key 1 - CDI 22/CDIH 22/CDP 22/CDA 22 Drain Body	Cast Iron	Satin Stainless Polished Stainless Oil Rubbed Bronze Satin Bronze Matte Black	RQD 5-2I SS RQD 5-2I PS RQD 5-2I ORB RQD 5-2I SB RQD 5-2I BK	5	\$475 \$595 \$595 \$595 \$595
	Cast Iron (For Hot Mop)	Satin Stainless Polished Stainless Oil Rubbed Bronze Satin Bronze Matte Black	RQD 5-2H SS RQD 5-2H PS RQD 5-2H ORB RQD 5-2H SB RQD 5-2H BK	5	\$475 \$595 \$595 \$595 \$595
   					
	ABS	Satin Stainless Polished Stainless Oil Rubbed Bronze Satin Bronze Matte Black	RQD 5-2A SS RQD 5-2A PS RQD 5-2A ORB RQD 5-2A SB RQD 5-2A BK	2	\$455 \$575 \$575 \$575 \$575
	PVC	Satin Stainless Polished Stainless Oil Rubbed Bronze Satin Bronze Matte Black	RQD 5-2P SS RQD 5-2P PS RQD 5-2P ORB RQD 5-2P SB RQD 5-2P BK	2	\$455 \$575 \$575 \$575 \$575

Description	Bonded Flange	Finish	Model	Lbs	List
L/F LIQUID/FABRIC WATERPROOFING 5" RQD 5 Kit with Bonded Flange 2", 3", and 4" Outlet. Kit Includes: 1 - RQS 5 - 5" Stainless Steel Decorative Plate 1 - T 52 - Stainless Steel 2" Throat with mud guard 1 - HMK-C2-D Hair Maintenance Kit: 1 - HB 65 Hair Basket 1 - DKEY Lift Out Key 1 - BFP 22/ BFA 22/ BFS 22 Bonded Flange	PVC	Satin Stainless Polished Stainless Oil Rubbed Bronze Satin Bronze Matte Black	RQDB 5-P SS RQDB 5-P PS RQDB 5-P ORB RQDB 5-P SB RQDB 5-P BK	2	\$515 \$635 \$635 \$635 \$635
   					
	ABS	Satin Stainless Polished Stainless Oil Rubbed Bronze Satin Bronze Matte Black	RQDB 5-A SS RQDB 5-A PS RQDB 5-A ORB RQDB 5-A SB RQDB 5-A BK	2	\$515 \$635 \$635 \$635 \$635
	Stainless Steel	Satin Stainless Polished Stainless Oil Rubbed Bronze Satin Bronze Matte Black	RQDB 5-S SS RQDB 5-S PS RQDB 5-S ORB RQDB 5-S SB RQDB 5-S BK	5	\$615 \$735 \$735 \$735 \$735

Description	Drain Body	Finish	Model	Lbs	List
HIGH FLOW 5" RQD 5 Kit with HIGH FLOW Drain Body 3" Outlet. Kit Includes: 1 - RQS 5 5" Decorative Plate 1 - T 54 4" Throat (High Flow) 1 - HMK-C4-D Hair Maintenance Kit: 1 - DKEY Lift-Out Key 1 - HS 4 Hair Strainer 1 - CDI/ CDA/ CDP 43 Drain Body	Cast Iron**	Satin Stainless Polished Stainless Oil Rubbed Bronze Satin Bronze Matte Black	RQD 5-3I SS RQD 5-3I PS RQD 5-3I ORB RQD 5-3I SB RQD 5-3I BK	22	\$665 \$785 \$785 \$785 \$785

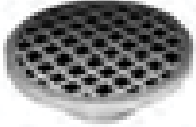
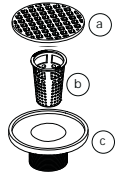
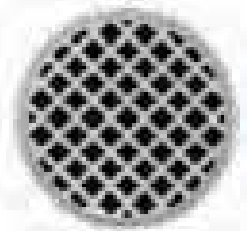

**If ABS or PVC drain body desired, replace I with A or P in model number (Example: RQD 5-3A SS)



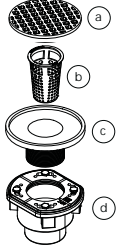
*See page 189 for more information on flow rates. See page 149 for individual components. See pages 225-226 for shipping dimensions.


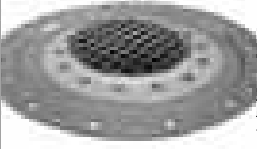
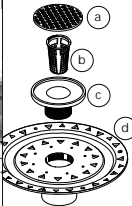
Specifications	
Decorative Plate Material:	7 Ga. 304L Stainless Steel
Throat Material:	304L Stainless Steel
Flow Rate:	9 GPM Standard 21 GPM High Flow


RMD 5 - Moor

5" Round Center Drain

Description	Finish	Model	Lbs	List
5" 304L Stainless Steel Strainer with 2" Throat: 1 - RMS 5 - 5" Stainless Steel Decorative Plate 1 - T 52 - Stainless Steel 2" Throat with mud guard 1 - HMK-C2-D Hair Maintenance Kit: 1 - HB 65 Hair Basket 1 - DKEY Lift Out Key	Satin Stainless Polished Stainless Oil Rubbed Bronze Satin Bronze Matte Black	RM 5-SS RM 5-PS RM 5-ORB RM 5-SB RM 5-BK	1	\$390 \$510 \$510 \$510 \$510
  (a) RMS 5 - Decorative Plate (b) HB 65 - Hair Basket (c) T 52 - 2" Throat		 Hair Maintenance kit included Learn more on pages 191-192		

Description	Drain Body	Finish	Model	Lbs	List
 TRADITIONAL WATERPROOFING 5" RMD 5 Kit with Drain Body 2" Outlet. Kit Includes: 1 - RMS 5 - 5" Stainless Steel Decorative Plate 1 - T 52 - Stainless Steel 2" Throat with mud guard 1 - HMK-C2-D Hair Maintenance Kit: 1 - HB 65 Hair Basket 1 - DKEY Lift Out Key 1 - CDI 22/CDIH 22/CDP 22/CDA 22 Drain Body	Cast Iron	Satin Stainless Polished Stainless Oil Rubbed Bronze Satin Bronze Matte Black	RMD 5-2I SS RMD 5-2I PS RMD 5-2I ORB RMD 5-2I SB RMD 5-2I BK	5	\$475 \$595 \$595 \$595 \$595
	Cast Iron (For Hot Mop)	Satin Stainless Polished Stainless Oil Rubbed Bronze Satin Bronze Matte Black	RMD 5-2H SS RMD 5-2H PS RMD 5-2H ORB RMD 5-2H SB RMD 5-2H BK	5	\$475 \$595 \$595 \$595 \$595
  (a) RMS 5 - Decorative Plate (b) HB 65 - Hair Basket (c) T 52 - 2" Throat (d) 2 inch Drain Body	ABS	Satin Stainless Polished Stainless Oil Rubbed Bronze Satin Bronze Matte Black	RMD 5-2A SS RMD 5-2A PS RMD 5-2A ORB RMD 5-2A SB RMD 5-2A BK	2	\$455 \$575 \$575 \$575 \$575
	PVC	Satin Stainless Polished Stainless Oil Rubbed Bronze Satin Bronze Matte Black	RMD 5-2P SS RMD 5-2P PS RMD 5-2P ORB RMD 5-2P SB RMD 5-2P BK	2	\$455 \$575 \$575 \$575 \$575

Description	Bonded Flange	Finish	Model	Lbs	List
 LIQUID/FABRIC WATERPROOFING 5" RMD 5 Kit with Bonded Flange 2", 3", and 4" Outlet. Kit Includes: 1 - RMS 5 - 5" Stainless Steel Decorative Plate 1 - T 52 - Stainless Steel 2" Throat with mud guard 1 - HMK-C2-D Hair Maintenance Kit: 1 - HB 65 Hair Basket 1 - DKEY Lift Out Key 1 - BFP 22/ BFA 22/ BFS 22 Bonded Flange	PVC	Satin Stainless Polished Stainless Oil Rubbed Bronze Satin Bronze Matte Black	RMDB 5-P SS RMDB 5-P PS RMDB 5-P ORB RMDB 5-P SB RMDB 5-P BK	2	\$515 \$635 \$635 \$635 \$635
	ABS	Satin Stainless Polished Stainless Oil Rubbed Bronze Satin Bronze Matte Black	RMDB 5-A SS RMDB 5-A PS RMDB 5-A ORB RMDB 5-A SB RMDB 5-A BK	2	\$515 \$635 \$635 \$635 \$635
  (a) RMS 5 - Decorative Plate (b) HB 65 - Hair Basket (c) T 52 - 2" Throat (d) Bonded Flange	Stainless Steel	Satin Stainless Polished Stainless Oil Rubbed Bronze Satin Bronze Matte Black	RMDB 5-S SS RMDB 5-S PS RMDB 5-S ORB RMDB 5-S SB RMDB 5-S BK	4	\$615 \$735 \$735 \$735 \$735

Description	Drain Body	Finish	Model	Lbs	List
 HIGH FLOW 5" x 5" RMD 5 Kit with HIGH FLOW Drain Body 3" Outlet. Kit Includes: 1 - RMS 5 5" Decorative Plate 1 - T 54 4" Throat (High Flow) 1 - HMK-C4-D Hair Maintenance Kit: 1 - DKEY Lift-Out Key 1 - HS 4 Hair Strainer 1 - CDI/ CDA/ CDP 43 Drain Body	Cast Iron**	Satin Stainless Polished Stainless Oil Rubbed Bronze Satin Bronze Matte Black	RMD 5-3I SS RMD 5-3I PS RMD 5-3I ORB RMD 5-3I SB RMD 5-3I BK	22	\$665 \$785 \$785 \$785 \$785

**If ABS or PVC drain body desired, replace I with A or P in model number (Example: RMD 5-3A SS)






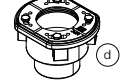
*See page 189 for more information on flow rates. See page 149 for individual components. See page 225 for shipping dimensions.


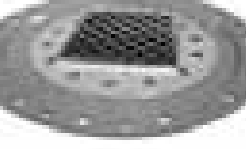




MD 4 - Moor

4"x4" Center Drain

Specifications	
Decorative Plate Material:	7 Ga. 304L Stainless Steel
Throat Material:	304L Stainless Steel
Flow Rate:	9 GPM Standard

Description	Finish	Model	Lbs	List
4" x 4" 304L Stainless Steel Strainer with 2" Throat: 1 - MS 4 - 4" x 4" Stainless Steel Decorative Plate 1 - T 42 - Stainless Steel 2" Throat with mud guard 1 - HMK-C2-D Hair Maintenance Kit: 1 - HB 65 Hair Basket 1 - DKEY Lift Out Key	Satin Stainless Polished Stainless Oil Rubbed Bronze Satin Bronze Matte Black	M 4 - SS M 4 - PS M 4 - ORB M 4 - SB M 4 - BK	1	\$330 \$430 \$430 \$430 \$430
   <p> (a) MS 4 - Decorative Plate (b) HB 65 - Hair Basket (c) T 42 - 2" Throat </p>		 <p> NEW Hair Maintenance kit included Learn more on pages 191-192 </p>		

Description	Drain Body	Finish	Model	Lbs	List
 TRADITIONAL WATERPROOFING 4" x 4" MD 4 Kit with Drain Body 2" Outlet. Kit Includes: 1 - MS 4 - 4" x 4" Stainless Steel Decorative Plate 1 - T 42 - Stainless Steel 2" Throat with mud guard 1 - HMK-C2-D Hair Maintenance Kit: 1 - HB 65 Hair Basket 1 - DKEY Lift Out Key 1 - CDI 22/CDIH 22/CDP 22/CDA 22 Drain Body	Cast Iron	Satin Stainless Polished Stainless Oil Rubbed Bronze Satin Bronze Matte Black	MD 4-2I SS MD 4-2I PS MD 4-2I ORB MD 4-2I SB MD 4-2I BK	5	\$415 \$515 \$515 \$515 \$515
	Cast Iron (For Hot Mop)	Satin Stainless Polished Stainless Oil Rubbed Bronze Satin Bronze Matte Black	MD 4-2H SS MD 4-2H PS MD 4-2H ORB MD 4-2H SB MD 4-2H BK	5	\$415 \$515 \$515 \$515 \$515
     <p> (a) MS 4 - Decorative Plate (b) HB 65 - Hair Basket (c) T 42 - 2" Throat (d) 2 inch Drain Body </p>	ABS	Satin Stainless Polished Stainless Oil Rubbed Bronze Satin Bronze Matte Black	MD 4-2A SS MD 4-2A PS MD 4-2A ORB MD 4-2A SB MD 4-2A BK	2	\$395 \$495 \$495 \$495 \$495
	PVC	Satin Stainless Polished Stainless Oil Rubbed Bronze Satin Bronze Matte Black	MD 4-2P SS MD 4-2P PS MD 4-2P ORB MD 4-2P SB MD 4-2P BK	2	\$395 \$495 \$495 \$495 \$495

Description	Bonded Flange	Finish	Model	Lbs	List
 LIQUID/FABRIC WATERPROOFING 4" x 4" MD 4 Kit with Bonded Flange 2", 3", and 4" Outlet. Kit Includes: 1 - MS 4 - 4" x 4" Stainless Steel Decorative Plate 1 - T 42 - Stainless Steel 2" Throat with mud guard 1 - HMK-C2-D Hair Maintenance Kit: 1 - HB 65 Hair Basket 1 - DKEY Lift Out Key 1 - BFP 22/ BFA 22/ BFS 22 Bonded Flange	PVC	Satin Stainless Polished Stainless Oil Rubbed Bronze Satin Bronze Matte Black	MDB 4-P SS MDB 4-P PS MDB 4-P ORB MDB 4-P SB MDB 4-P BK	2	\$455 \$555 \$555 \$555 \$555
	ABS	Satin Stainless Polished Stainless Oil Rubbed Bronze Satin Bronze Matte Black	MDB 4-A SS MDB 4-A PS MDB 4-A ORB MDB 4-A SB MDB 4-A BK	2	\$455 \$555 \$555 \$555 \$555
     <p> (a) MS 4 - Decorative Plate (b) HB 65 - Hair Basket (c) T 42 - 2" Throat (d) Bonded Flange </p>	Stainless Steel	Satin Stainless Polished Stainless Oil Rubbed Bronze Satin Bronze Matte Black	MDB 4-S SS MDB 4-S PS MDB 4-S ORB MDB 4-S SB MDB 4-S BK	4	\$555 \$655 \$655 \$655 \$655



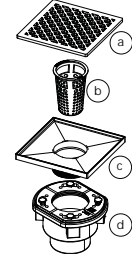


*See page 189 for more information on flow rates. See page 147 for individual components. See page 221 for shipping dimensions.


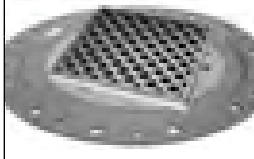
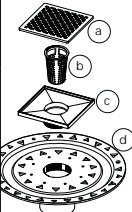
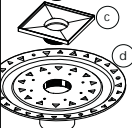

Specifications	
Decorative Plate Material:	7 Ga. 304L Stainless Steel
Throat Material:	304L Stainless Steel
Flow Rate:	9 GPM Standard 21 GPM High Flow


MD 5 - Moor

5"x5" Center Drain

Description	Finish	Model	Lbs	List
5" x 5" 304L Stainless Steel Strainer with 2" Throat: 1 - MS 5 - 5" x 5" Stainless Steel Decorative Plate 1 - T 52 - Stainless Steel 2" Throat with mud guard 1 - HMK-C2-D Hair Maintenance Kit: 1 - HB 65 Hair Basket 1 - DKEY Lift Out Key	Satin Stainless Polished Stainless Oil Rubbed Bronze Satin Bronze Matte Black	M 5-SS M 5-PS M 5-ORB M 5-SB M 5-BK	1	\$390 \$510 \$510 \$510 \$510
  				
		NEW Hair Maintenance kit included Learn more on pages 191-192		

Description	Drain Body	Finish	Model	Lbs	List
 T TRADITIONAL WATERPROOFING 5" x 5" MD 5 Kit with Drain Body 2" Outlet. Kit Includes: 1 - MS 5 - 5" x 5" Stainless Steel Decorative Plate 1 - T 52 - Stainless Steel 2" Throat with mud guard 1 - HMK-C2-D Hair Maintenance Kit: 1 - HB 65 Hair Basket 1 - DKEY Lift Out Key 1 - CDI 22/CDIH 22/CDP 22/CDA 22 Drain Body	Cast Iron	Satin Stainless Polished Stainless Oil Rubbed Bronze Satin Bronze Matte Black	MD 5-21 SS MD 5-21 PS MD 5-21 ORB MD 5-21 SB MD 5-21 BK	5	\$475 \$595 \$595 \$595 \$595
	Cast Iron (For Hot Mop)	Satin Stainless Polished Stainless Oil Rubbed Bronze Satin Bronze Matte Black	MD 5-2H SS MD 5-2H PS MD 5-2H ORB MD 5-2H SB MD 5-2H BK	5	\$475 \$595 \$595 \$595 \$595
   	ABS	Satin Stainless Polished Stainless Oil Rubbed Bronze Satin Bronze Matte Black	MD 5-2A SS MD 5-2A PS MD 5-2A ORB MD 5-2A SB MD 5-2A BK	2	\$455 \$575 \$575 \$575 \$575
	PVC	Satin Stainless Polished Stainless Oil Rubbed Bronze Satin Bronze Matte Black	MD 5-2P SS MD 5-2P PS MD 5-2P ORB MD 5-2P SB MD 5-2P BK	2	\$455 \$575 \$575 \$575 \$575

Description	Bonded Flange	Finish	Model	Lbs	List
 L/F LIQUID/FABRIC WATERPROOFING 5" x 5" MD 5 Kit with Bonded Flange 2", 3", and 4" Outlet. Kit Includes: 1 - MS 5 - 5" x 5" Stainless Steel Decorative Plate 1 - T 52 - Stainless Steel 2" Throat with mud guard 1 - HMK-C2-D Hair Maintenance Kit: 1 - HB 65 Hair Basket 1 - DKEY Lift Out Key 1 - BFP 22/ BFA 22/ BFS 22 Bonded Flange	PVC	Satin Stainless Polished Stainless Oil Rubbed Bronze Satin Bronze Matte Black	MDB 5-P SS MDB 5-P PS MDB 5-P ORB MDB 5-P SB MDB 5-P BK	2	\$515 \$635 \$635 \$635 \$635
	ABS	Satin Stainless Polished Stainless Oil Rubbed Bronze Satin Bronze Matte Black	MDB 5-A SS MDB 5-A PS MDB 5-A ORB MDB 5-A SB MDB 5-A BK	2	\$515 \$635 \$635 \$635 \$635
   	Stainless Steel	Satin Stainless Polished Stainless Oil Rubbed Bronze Satin Bronze Matte Black	MDB 5-S SS MDB 5-S PS MDB 5-S ORB MDB 5-S SB MDB 5-S BK	4	\$615 \$735 \$735 \$735 \$735

Description	Drain Body	Finish	Model	Lbs	List
 HIGH FLOW 5" x 5" MD 5 Kit with HIGH FLOW Drain Body 3" Outlet. Kit Includes: 1 - MS 5 - 5" x 5" Decorative Plate 1 - T 54 - 4" Throat (High Flow) 1 - HMK-C4-D Hair Maintenance Kit: 1 - DKEY Lift-Out Key 1 - HS 4 Hair Strainer 1 - CDI/ CDA/ CDP 43 Drain Body	Cast Iron**	Satin Stainless Polished Stainless Oil Rubbed Bronze Satin Bronze Matte Black	MD 5-31 SS MD 5-31 PS MD 5-31 ORB MD 5-31 SB MD 5-31 BK	22	\$665 \$785 \$785 \$785 \$785

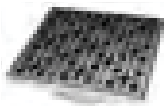
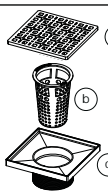

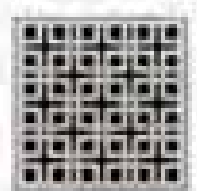

**If ABS or PVC drain body desired, replace I with A or P in model number (Example: MD 5-3A SS)






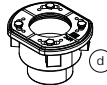
*See page 189 for more information on flow rates. See page 148 for individual components. See page 221 for shipping dimensions.


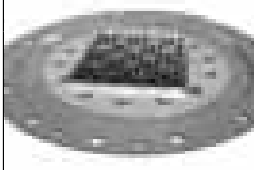




KD 4 - Link

4"x4" Center Drain

Specifications	
Decorative Plate Material:	7 Ga. 304L Stainless Steel
Throat Material:	304L Stainless Steel
Flow Rate:	9 GPM Standard

Description	Finish	Model	Lbs	List
4" x 4" 304L Stainless Steel Strainer with 2" Throat: 1 - KS 4 - 4" x 4" Stainless Steel Decorative Plate 1 - T 42 - Stainless Steel 2" Throat with mud guard 1 - HMK-C2-D Hair Maintenance Kit: 1 - HB 65 Hair Basket 1 - DKEY Lift Out Key	Satin Stainless Polished Stainless Oil Rubbed Bronze Satin Bronze Matte Black	K 4-SS K 4-PS K 4-ORB K 4-SB K 4-BK	1	\$330 \$430 \$430 \$430 \$430
   <p> (a) KS 4 - Decorative Plate (b) HB 65 - Hair Basket (c) T 42 - 2" Throat </p>		 <p> NEW Hair Maintenance kit included Learn more on pages 191-192 </p>		

Description	Drain Body	Finish	Model	Lbs	List
 <p>TRADITIONAL WATERPROOFING</p> 4" x 4" KD 4 Kit with Drain Body 2" Outlet. Kit Includes: 1 - KS 4 - 4" x 4" Stainless Steel Decorative Plate 1 - T 42 - Stainless Steel 2" Throat with mud guard 1 - HMK-C2-D Hair Maintenance Kit: 1 - HB 65 Hair Basket 1 - DKEY Lift Out Key 1 - CDI 22/CDIH 22/CDP 22/CDA 22 Drain Body	Cast Iron	Satin Stainless Polished Stainless Oil Rubbed Bronze Satin Bronze Matte Black	KD 4-2I SS KD 4-2I PS KD 4-2I ORB KD 4-2I SB KD 4-2I BK	5	\$415 \$515 \$515 \$515 \$515
	Cast Iron (For Hot Mop)	Satin Stainless Polished Stainless Oil Rubbed Bronze Satin Bronze Matte Black	KD 4-2H SS KD 4-2H PS KD 4-2H ORB KD 4-2H SB KD 4-2H BK	5	\$415 \$515 \$515 \$515 \$515
     <p> (a) KS 4 - Decorative Plate (b) HB 65 - Hair Basket (c) T 42 - 2" Throat (d) 2 inch Drain Body </p>	ABS	Satin Stainless Polished Stainless Oil Rubbed Bronze Satin Bronze Matte Black	KD 4-2A SS KD 4-2A PS KD 4-2A ORB KD 4-2A SB KD 4-2A BK	2	\$395 \$495 \$495 \$495 \$495
	PVC	Satin Stainless Polished Stainless Oil Rubbed Bronze Satin Bronze Matte Black	KD 4-2P SS KD 4-2P PS KD 4-2P ORB KD 4-2P SB KD 4-2P BK	2	\$395 \$495 \$495 \$495 \$495


Description	Bonded Flange	Finish	Model	Lbs	List
 <p>LIQUID/FABRIC WATERPROOFING</p> 4" x 4" KD 4 Kit with Bonded Flange 2", 3", and 4" Outlet. Kit Includes: 1 - KS 4 - 4" x 4" Stainless Steel Decorative Plate 1 - T 42 - Stainless Steel 2" Throat with mud guard 1 - HMK-C2-D Hair Maintenance Kit: 1 - HB 65 Hair Basket 1 - DKEY Lift Out Key 1 - BFP 22/ BFA 22/ BFS 22 Bonded Flange	PVC	Satin Stainless Polished Stainless Oil Rubbed Bronze Satin Bronze Matte Black	KDB 4-P SS KDB 4-P PS KDB 4-P ORB KDB 4-P SB KDB 4-P BK	2	\$455 \$555 \$555 \$555 \$555
	ABS	Satin Stainless Polished Stainless Oil Rubbed Bronze Satin Bronze Matte Black	KDB 4-A SS KDB 4-A PS KDB 4-A ORB KDB 4-A SB KDB 4-A BK	2	\$455 \$555 \$555 \$555 \$555
     <p> (a) KS 4 - Decorative Plate (b) HB 65 - Hair Basket (c) T 42 - 2" Throat (d) Bonded Flange </p>	Stainless Steel	Satin Stainless Polished Stainless Oil Rubbed Bronze Satin Bronze Matte Black	KDB 4-S SS KDB 4-S PS KDB 4-S ORB KDB 4-S SB KDB 4-S BK	4	\$555 \$655 \$655 \$655 \$655




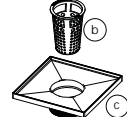
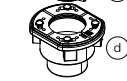
*See page 189 for more information on flow rates. See page 147 for individual components. See pages 218-219 for shipping dimensions.


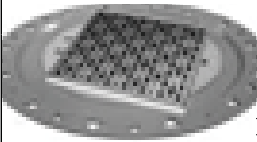

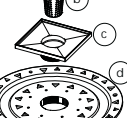

Specifications	
Decorative Plate Material:	7 Ga. 304L Stainless Steel
Throat Material:	304L Stainless Steel
Flow Rate:	9 GPM Standard 21 GPM High Flow


KD 5 - Link

5"x5" Center Drain

Description	Finish	Model	Lbs	List
5" x 5" 304L Stainless Steel Strainer with 2" Throat: 1 - KS 5 - 5" x 5" Stainless Steel Decorative Plate 1 - T 52 - Stainless Steel 2" Throat with mud guard 1 - HMK-C2-D Hair Maintenance Kit: 1 - HB 65 Hair Basket 1 - DKEY Lift Out Key	Satin Stainless Polished Stainless Oil Rubbed Bronze Satin Bronze Matte Black	K 5-SS K 5-PS K 5-ORB K 5-SB K 5-BK	1	\$390 \$510 \$510 \$510 \$510
   <p> (a) KS 5 - Decorative Plate (b) HB 65 - Hair Basket (c) T 52 - 2" Throat </p>		 <p> NEW Hair Maintenance kit included Learn more on pages 191-192 </p>		

Description	Drain Body	Finish	Model	Lbs	List
 TRADITIONAL WATERPROOFING 5" x 5" KD 5 Kit with Drain Body 2" Outlet. Kit Includes: 1 - KS 5 - 5" x 5" Stainless Steel Decorative Plate 1 - T 52 - Stainless Steel 2" Throat with mud guard 1 - HMK-C2-D Hair Maintenance Kit: 1 - HB 65 Hair Basket 1 - DKEY Lift Out Key 1 - CDI 22/CDIH 22/CDP 22/CDA 22 Drain Body	Cast Iron	Satin Stainless Polished Stainless Oil Rubbed Bronze Satin Bronze Matte Black	KD 5-2I SS KD 5-2I PS KD 5-2I ORB KD 5-2I SB KD 5-2I BK	5	\$475 \$595 \$595 \$595 \$595
	Cast Iron (For Hot Mop)	Satin Stainless Polished Stainless Oil Rubbed Bronze Satin Bronze Matte Black	KD 5-2H SS KD 5-2H PS KD 5-2H ORB KD 5-2H SB KD 5-2H BK	5	\$475 \$595 \$595 \$595 \$595
    <p> (a) KS 5 - Decorative Plate (b) HB 65 - Hair Basket (c) T 52 - 2" Throat (d) 2 inch Drain Body </p>	ABS	Satin Stainless Polished Stainless Oil Rubbed Bronze Satin Bronze Matte Black	KD 5-2A SS KD 5-2A PS KD 5-2A ORB KD 5-2A SB KD 5-2A BK	2	\$455 \$575 \$575 \$575 \$575
	PVC	Satin Stainless Polished Stainless Oil Rubbed Bronze Satin Bronze Matte Black	KD 5-2P SS KD 5-2P PS KD 5-2P ORB KD 5-2P SB KD 5-2P BK	2	\$455 \$575 \$575 \$575 \$575

Description	Bonded Flange	Finish	Model	Lbs	List
 LIQUID/FABRIC WATERPROOFING 5" x 5" KD 5 Kit with Bonded Flange 2", 3", and 4" Outlet. Kit Includes: 1 - KS 5 - 5" x 5" Stainless Steel Decorative Plate 1 - T 52 - Stainless Steel 2" Throat with mud guard 1 - HMK-C2-D Hair Maintenance Kit: 1 - HB 65 Hair Basket 1 - DKEY Lift Out Key 1 - BFP 22/ BFA 22/ BFS 22 Bonded Flange	PVC	Satin Stainless Polished Stainless Oil Rubbed Bronze Satin Bronze Matte Black	KDB 5-P SS KDB 5-P PS KDB 5-P ORB KDB 5-P SB KDB 5-P BK	2	\$515 \$635 \$635 \$635 \$635
	ABS	Satin Stainless Polished Stainless Oil Rubbed Bronze Satin Bronze Matte Black	KDB 5-A SS KDB 5-A PS KDB 5-A ORB KDB 5-A SB KDB 5-A BK	2	\$515 \$635 \$635 \$635 \$635
    <p> (a) KS 5 - Decorative Plate (b) HB 65 - Hair Basket (c) T 52 - 2" Throat (d) Bonded Flange </p>	Stainless Steel	Satin Stainless Polished Stainless Oil Rubbed Bronze Satin Bronze Matte Black	KDB 5-S SS KDB 5-S PS KDB 5-S ORB KDB 5-S SB KDB 5-S BK	4	\$615 \$735 \$735 \$735 \$735

Description	Drain Body	Finish	Model	Lbs	List
 HIGH FLOW 5" x 5" KD 5 Kit with HIGH FLOW Drain Body 3" Outlet. Kit Includes: 1 - KS 5 - 5" x 5" Decorative Plate 1 - T 54 - 4" Throat (High Flow) 1 - HMK-C4-D Hair Maintenance Kit: 1 - DKEY Lift-Out Key 1 - HS 4 Hair Strainer 1 - CDI/ CDA/ CDP 43 Drain Body	Cast Iron**	Satin Stainless Polished Stainless Oil Rubbed Bronze Satin Bronze Matte Black	KD 5-3I SS KD 5-3I PS KD 5-3I ORB KD 5-3I SB KD 5-3I BK	22	\$665 \$785 \$785 \$785 \$785

**If ABS or PVC drain body desired, replace I with A or P in model number (Example: KD 5-3A SS)

*See page 189 for more information on flow rates. See page 148 for individual components. See pages 218-219 for shipping dimensions.

RKD 5 - Link

5" Round Center Drain

Specifications	
Decorative Plate Material:	7 Ga. 304L Stainless Steel
Throat Material:	304L Stainless Steel
Flow Rate:	9 GPM Standard 21 GPM High Flow

Description	Finish	Model	Lbs	List
5" 304L Stainless Steel Strainer with 2" Throat: 1 - RKS 5 - 5" Stainless Steel Decorative Plate 1 - T 52 - Stainless Steel 2" Throat with mud guard 1 - HMK-C2-D Hair Maintenance Kit: 1 - HB 65 Hair Basket 1 - DKEY Lift Out Key	Satin Stainless	RK 5-SS	1	\$390
	Polished Stainless	RK 5-PS		\$510
	Oil Rubbed Bronze	RK 5-ORB		\$510
	Satin Bronze	RK 5-SB		\$510
	Matte Black	RK 5-BK		\$510




(a) RKS 5 - Decorative Plate
(b) HB 65 - Hair Basket
(c) T 52 - 2" Throat






NEW
Hair Maintenance kit included
Learn more on pages 191-192

Description	Drain Body	Finish	Model	Lbs	List
<div style="border: 1px solid black; padding: 2px; width: fit-content; margin-bottom: 5px;">T TRADITIONAL WATERPROOFING</div> 5" RKD 5 Kit with Drain Body 2" Outlet. Kit Includes: 1 - RKS 5 - 5" Stainless Steel Decorative Plate 1 - T 52 - Stainless Steel 2" Throat with mud guard 1 - HMK-C2-D Hair Maintenance Kit: 1 - HB 65 Hair Basket 1 - DKEY Lift Out Key 1 - CDI 22/CDIH 22/CDP 22/CDA 22 Drain Body	Cast Iron	Satin Stainless	RKD 5-2I SS	5	\$475
		Polished Stainless	RKD 5-2I PS		\$595
		Oil Rubbed Bronze	RKD 5-2I ORB		\$595
		Satin Bronze	RKD 5-2I SB		\$595
		Matte Black	RKD 5-2I BK		\$595
	Cast Iron (For Hot Mop)	Satin Stainless	RKD 5-2H SS	5	\$475
		Polished Stainless	RKD 5-2H PS		\$595
		Oil Rubbed Bronze	RKD 5-2H ORB		\$595
		Satin Bronze	RKD 5-2H SB		\$595
		Matte Black	RKD 5-2H BK		\$595
 <p>(a) RKS 5 - Decorative Plate (b) HB 65 - Hair Basket (c) T 52 - 2" Throat (d) 2 inch Drain Body</p>	ABS	Satin Stainless	RKD 5-2A SS	2	\$455
		Polished Stainless	RKD 5-2A PS		\$575
		Oil Rubbed Bronze	RKD 5-2A ORB		\$575
		Satin Bronze	RKD 5-2A SB		\$575
		Matte Black	RKD 5-2A BK		\$575
	PVC	Satin Stainless	RKD 5-2P SS	2	\$455
		Polished Stainless	RKD 5-2P PS		\$575
		Oil Rubbed Bronze	RKD 5-2P ORB		\$575
		Satin Bronze	RKD 5-2P SB		\$575
		Matte Black	RKD 5-2P BK		\$575

Description	Bonded Flange	Finish	Model	Lbs	List
<div style="border: 1px solid black; padding: 2px; width: fit-content; margin-bottom: 5px;">L/F LIQUID/FABRIC WATERPROOFING</div> 5" RKD 5 Kit with Bonded Flange 2", 3", and 4" Outlet. Kit Includes: 1 - RKS 5 - 5" Stainless Steel Decorative Plate 1 - T 52 - Stainless Steel 2" Throat with mud guard 1 - HMK-C2-D Hair Maintenance Kit: 1 - HB 65 Hair Basket 1 - DKEY Lift Out Key 1 - BFP 22/ BFA 22/ BFS 22 Bonded Flange	PVC	Satin Stainless	RKDB 5-P SS	2	\$515
		Polished Stainless	RKDB 5-P PS		\$635
		Oil Rubbed Bronze	RKDB 5-P ORB		\$635
		Satin Bronze	RKDB 5-P SB		\$635
		Matte Black	RKDB 5-P BK		\$635
	ABS	Satin Stainless	RKDB 5-A SS	2	\$515
		Polished Stainless	RKDB 5-A PS		\$635
		Oil Rubbed Bronze	RKDB 5-A ORB		\$635
		Satin Bronze	RKDB 5-A SB		\$635
		Matte Black	RKDB 5-A BK		\$635
	Stainless Steel	Satin Stainless	RKDB 5-S SS	5	\$615
		Polished Stainless	RKDB 5-S PS		\$735
		Oil Rubbed Bronze	RKDB 5-S ORB		\$735
		Satin Bronze	RKDB 5-S SB		\$735
		Matte Black	RKDB 5-S BK		\$735



(a) RKS 5 - Decorative Plate
(b) HB 65 - Hair Basket
(c) T 52 - 2" Throat
(d) Bonded Flange

Description	Drain Body	Finish	Model	Lbs	List
<div style="border: 1px solid black; padding: 2px; width: fit-content; margin-bottom: 5px;">HIGH FLOW</div> 5" RKD 5 Kit with HIGH FLOW Drain Body 3" Outlet. Kit Includes: 1 - RKS 5 5" Decorative Plate 1 - T 54 4" Throat (High Flow) 1 - HMK-C4-D Hair Maintenance Kit: 1 - DKEY Lift-Out Key 1 - HS 4 Hair Strainer 1 - CDI/ CDA/ CDP 43 Drain Body	Cast Iron**	Satin Stainless	RKD 5-3I SS	22	\$665
		Polished Stainless	RKD 5-3I PS		\$785
		Oil Rubbed Bronze	RKD 5-3I ORB		\$785
		Satin Bronze	RKD 5-3I SB		\$785
		Matte Black	RKD 5-3I BK		\$785

**If ABS or PVC drain body desired, replace I with A or P in model number (Example: RKD 5-3A SS)


*See page 189 for more information on flow rates. See page 149 for individual components. See page 225 for shipping dimensions.

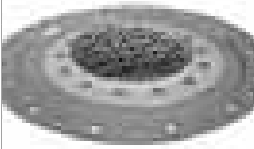
Specifications	
Decorative Plate Material:	7 Ga. 304L Stainless Steel
Throat Material:	304L Stainless Steel
Flow Rate:	9 GPM Standard 21 GPM High Flow

RVD 5 - Weave

5" Round Center Drain

Description	Finish	Model	Lbs	List
5" 304L Stainless Steel Strainer with 2" Throat: 1 - RVS 5 - 5" Stainless Steel Decorative Plate 1 - T 52 - Stainless Steel 2" Throat with mud guard 1 - HMK-C2-D Hair Maintenance Kit: 1 - HB 65 Hair Basket 1 - DKEY Lift Out Key	Satin Stainless Polished Stainless Oil Rubbed Bronze Satin Bronze Matte Black	RV 5-SS RV 5-PS RV 5-ORB RV 5-SB RV 5-BK	1	\$390 \$510 \$510 \$510 \$510
				Hair Maintenance kit included Learn more on pages 191-192

Description	Drain Body	Finish	Model	Lbs	List
T TRADITIONAL WATERPROOFING 5" RVD 5 Kit with Drain Body 2" Outlet. Kit Includes: 1 - RVS 5 - 5" Stainless Steel Decorative Plate 1 - T 52 - Stainless Steel 2" Throat with mud guard 1 - HMK-C2-D Hair Maintenance Kit: 1 - HB 65 Hair Basket 1 - DKEY Lift Out Key 1 - CDI 22/CDIH 22/CDP 22/CDA 22 Drain Body	Cast Iron	Satin Stainless Polished Stainless Oil Rubbed Bronze Satin Bronze Matte Black	RVD 5-2I SS RVD 5-2I PS RVD 5-2I ORB RVD 5-2I SB RVD 5-2I BK	5	\$475 \$595 \$595 \$595 \$595
	Cast Iron (For Hot Mop)	Satin Stainless Polished Stainless Oil Rubbed Bronze Satin Bronze Matte Black	RVD 5-2H SS RVD 5-2H PS RVD 5-2H ORB RVD 5-2H SB RVD 5-2H BK	5	\$475 \$595 \$595 \$595 \$595
	ABS	Satin Stainless Polished Stainless Oil Rubbed Bronze Satin Bronze Matte Black	RVD 5-2A SS RVD 5-2A PS RVD 5-2A ORB RVD 5-2A SB RVD 5-2A BK	2	\$455 \$575 \$575 \$575 \$575
	PVC	Satin Stainless Polished Stainless Oil Rubbed Bronze Satin Bronze Matte Black	RVD 5-2P SS RVD 5-2P PS RVD 5-2P ORB RVD 5-2P SB RVD 5-2P BK	2	\$455 \$575 \$575 \$575 \$575

Description	Bonded Flange	Finish	Model	Lbs	List
L/F LIQUID/FABRIC WATERPROOFING 5" RVD 5 Kit with Bonded Flange 2", 3", and 4" Outlet. Kit Includes: 1 - RVS 5 - 5" Stainless Steel Decorative Plate 1 - T 52 - Stainless Steel 2" Throat with mud guard 1 - HMK-C2-D Hair Maintenance Kit: 1 - HB 65 Hair Basket 1 - DKEY Lift Out Key 1 - BFP 22/ BFA 22/ BFS 22 Bonded Flange	PVC	Satin Stainless Polished Stainless Oil Rubbed Bronze Satin Bronze Matte Black	RVDB 5-P SS RVDB 5-P PS RVDB 5-P ORB RVDB 5-P SB RVDB 5-P BK	2	\$515 \$635 \$635 \$635 \$635
	ABS	Satin Stainless Polished Stainless Oil Rubbed Bronze Satin Bronze Matte Black	RVDB 5-A SS RVDB 5-A PS RVDB 5-A ORB RVDB 5-A SB RVDB 5-A BK	2	\$515 \$635 \$635 \$635 \$635
	Stainless Steel	Satin Stainless Polished Stainless Oil Rubbed Bronze Satin Bronze Matte Black	RVDB 5-S SS RVDB 5-S PS RVDB 5-S ORB RVDB 5-S SB RVDB 5-S BK	4	\$615 \$735 \$735 \$735 \$735

Description	Drain Body	Finish	Model	Lbs	List
HIGH FLOW 5" RVD 5 Kit with HIGH FLOW Drain Body 3" Outlet. Kit Includes: 1 - RVS 5 5" Decorative Plate 1 - T 54 4" Throat (High Flow) 1 - HMK-C4-D Hair Maintenance Kit: 1 - DKEY Lift-Out Key 1 - HS 4 Hair Strainer 1 - CDI/ CDA/ CDP 43 Drain Body	Cast Iron**	Satin Stainless Polished Stainless Oil Rubbed Bronze Satin Bronze Matte Black	RVD 5-3I SS RVD 5-3I PS RVD 5-3I ORB RVD 5-3I SB RVD 5-3I BK	22	\$665 \$785 \$785 \$785 \$785

**If ABS or PVC drain body desired, replace I with A or P in model number (Example: RVD 5-3A SS)



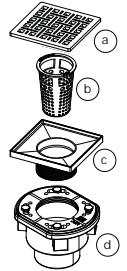
*See page 189 for more information on flow rates. See page 149 for individual components. See page 225 for shipping dimensions.


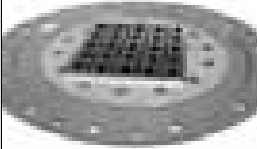
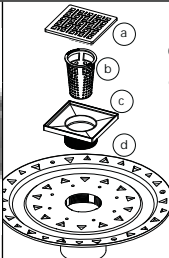
VD 4 - Weave

4"x4" Center Drain

Specifications	
Decorative Plate Material:	7 Ga. 304L Stainless Steel
Throat Material:	304L Stainless Steel
Flow Rate:	9 GPM Standard

Description	Finish	Model	Lbs	List
4" x 4" 304L Stainless Steel Strainer with 2" Throat: 1 - VS 4 - 4" x 4" Stainless Steel Decorative Plate 1 - T 42 - Stainless Steel 2" Throat with mud guard 1 - HMK-C2-D Hair Maintenance Kit: 1 - HB 65 Hair Basket 1 - DKEY Lift Out Key	Satin Stainless Polished Stainless Oil Rubbed Bronze Satin Bronze Matte Black	V 4-SS V 4-PS V 4-ORB V 4-SB V 4-BK	1	\$330 \$430 \$430 \$430 \$430
  <ul style="list-style-type: none"> (a) VS 4 - Decorative Plate (b) HB 65 - Hair Basket (c) T 42 - 2" Throat 		 <p>Hair Maintenance kit included Learn more on pages 191-192</p>		

Description	Drain Body	Finish	Model	Lbs	List
 TRADITIONAL WATERPROOFING 4" x 4" VD 4 Kit with Drain Body 2" Outlet. Kit Includes: 1 - VS 4 - 4" x 4" Stainless Steel Decorative Plate 1 - T 42 - Stainless Steel 2" Throat with mud guard 1 - HMK-C2-D Hair Maintenance Kit: 1 - HB 65 Hair Basket 1 - DKEY Lift Out Key 1 - CDI 22/CDIH 22/CDP 22/CDA 22 Drain Body	Cast Iron	Satin Stainless Polished Stainless Oil Rubbed Bronze Satin Bronze Matte Black	VD 4-2I SS VD 4-2I PS VD 4-2I ORB VD 4-2I SB VD 4-2I BK	5	\$415 \$515 \$515 \$515 \$515
	Cast Iron (For Hot Mop)	Satin Stainless Polished Stainless Oil Rubbed Bronze Satin Bronze Matte Black	VD 4-2H SS VD 4-2H PS VD 4-2H ORB VD 4-2H SB VD 4-2H BK	5	\$415 \$515 \$515 \$515 \$515
  <ul style="list-style-type: none"> (a) VS 4 - Decorative Plate (b) HB 65 - Hair Basket (c) T 42 - 2" Throat (d) 2 inch Drain Body 	ABS	Satin Stainless Polished Stainless Oil Rubbed Bronze Satin Bronze Matte Black	VD 4-2A SS VD 4-2A PS VD 4-2A ORB VD 4-2A SB VD 4-2A BK	2	\$395 \$495 \$495 \$495 \$495
	PVC	Satin Stainless Polished Stainless Oil Rubbed Bronze Satin Bronze Matte Black	VD 4-2P SS VD 4-2P PS VD 4-2P ORB VD 4-2P SB VD 4-2P BK	2	\$395 \$495 \$495 \$495 \$495

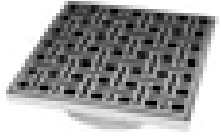
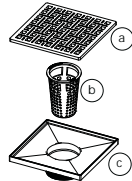
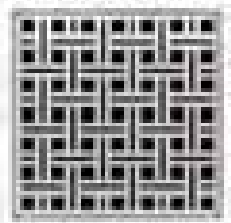

Description	Bonded Flange	Finish	Model	Lbs	List
 LIQUID/FABRIC WATERPROOFING 4" x 4" VD 4 Kit with Bonded Flange 2", 3", and 4" Outlet. Kit Includes: 1 - VS 4 - 4" x 4" Stainless Steel Decorative Plate 1 - T 42 - Stainless Steel 2" Throat with mud guard 1 - HMK-C2-D Hair Maintenance Kit: 1 - HB 65 Hair Basket 1 - DKEY Lift Out Key 1 - BFP 22/ BFA 22/ BFS 22 Bonded Flange	PVC	Satin Stainless Polished Stainless Oil Rubbed Bronze Satin Bronze Matte Black	VDB 4-P SS VDB 4-P PS VDB 4-P ORB VDB 4-P SB VDB 4-P BK	2	\$455 \$555 \$555 \$555 \$555
	ABS	Satin Stainless Polished Stainless Oil Rubbed Bronze Satin Bronze Matte Black	VDB 4-A SS VDB 4-A PS VDB 4-A ORB VDB 4-A SB VDB 4-A BK	2	\$455 \$555 \$555 \$555 \$555
  <ul style="list-style-type: none"> (a) VS 4 - Decorative Plate (b) HB 65 - Hair Basket (c) T 42 - 2" Throat (d) Bonded Flange 	Stainless Steel	Satin Stainless Polished Stainless Oil Rubbed Bronze Satin Bronze Matte Black	VDB 4-S SS VDB 4-S PS VDB 4-S ORB VDB 4-S SB VDB 4-S BK	4	\$555 \$655 \$655 \$655 \$655



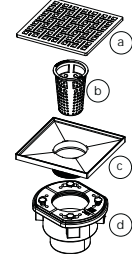
*See page 189 for more information on flow rates. See page 147 for individual components. See pages 233-234 for shipping dimensions.


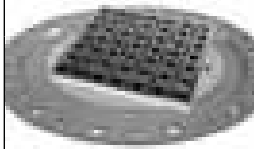
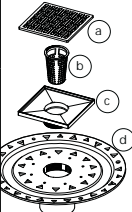
Specifications	
Decorative Plate Material:	7 Ga. 304L Stainless Steel
Throat Material:	304L Stainless Steel
Flow Rate:	9 GPM Standard 21 GPM High Flow


VD 5 - Weave

5"x5" Center Drain

Description	Finish	Model	Lbs	List
5" x 5" 304L Stainless Steel Strainer with 2" Throat: 1 - VS 5 - 5" x 5" Stainless Steel Decorative Plate 1 - T 52 - Stainless Steel 2" Throat with mud guard 1 - HMK-C2-D Hair Maintenance Kit: 1 - HB 65 Hair Basket 1 - DKEY Lift Out Key	Satin Stainless Polished Stainless Oil Rubbed Bronze Satin Bronze Matte Black	V 5-SS V 5-PS V 5-ORB V 5-SB V 5-BK	1	\$390 \$510 \$510 \$510 \$510
  <ul style="list-style-type: none"> (a) VS 5 - Decorative Plate (b) HB 65 - Hair Basket (c) T 52 - 2" Throat 		 <p>NEW Hair Maintenance kit included Learn more on pages 191-192</p>		

Description	Drain Body	Finish	Model	Lbs	List
 TRADITIONAL WATERPROOFING 5" x 5" VD 5 Kit with Drain Body 2" Outlet. Kit Includes: 1 - VS 5 - 5" x 5" Stainless Steel Decorative Plate 1 - T 52 - Stainless Steel 2" Throat with mud guard 1 - HMK-C2-D Hair Maintenance Kit: 1 - HB 65 Hair Basket 1 - DKEY Lift Out Key 1 - CDI 22/CDIH 22/CDP 22/CDA 22 Drain Body	Cast Iron	Satin Stainless Polished Stainless Oil Rubbed Bronze Satin Bronze Matte Black	VD 5-2I SS VD 5-2I PS VD 5-2I ORB VD 5-2I SB VD 5-2I BK	5	\$475 \$595 \$595 \$595 \$595
	Cast Iron (For Hot Mop)	Satin Stainless Polished Stainless Oil Rubbed Bronze Satin Bronze Matte Black	VD 5-2H SS VD 5-2H PS VD 5-2H ORB VD 5-2H SB VD 5-2H BK	5	\$475 \$595 \$595 \$595 \$595
  <ul style="list-style-type: none"> (a) VS 5 - Decorative Plate (b) HB 65 - Hair Basket (c) T 52 - 2" Throat (d) 2 inch Drain Body 	ABS	Satin Stainless Polished Stainless Oil Rubbed Bronze Satin Bronze Matte Black	VD 5-2A SS VD 5-2A PS VD 5-2A ORB VD 5-2A SB VD 5-2A BK	2	\$455 \$575 \$575 \$575 \$575
	PVC	Satin Stainless Polished Stainless Oil Rubbed Bronze Satin Bronze Matte Black	VD 5-2P SS VD 5-2P PS VD 5-2P ORB VD 5-2P SB VD 5-2P BK	2	\$455 \$575 \$575 \$575 \$575

Description	Bonded Flange	Finish	Model	Lbs	List
 LIQUID/FABRIC WATERPROOFING 5" x 5" VD 5 Kit with Bonded Flange 2", 3", and 4" Outlet. Kit Includes: 1 - VS 5 - 5" x 5" Stainless Steel Decorative Plate 1 - T 52 - Stainless Steel 2" Throat with mud guard 1 - HMK-C2-D Hair Maintenance Kit: 1 - HB 65 Hair Basket 1 - DKEY Lift Out Key 1 - BFP 22/ BFA 22/ BFS 22 Bonded Flange	PVC	Satin Stainless Polished Stainless Oil Rubbed Bronze Satin Bronze Matte Black	VDB 5-P SS VDB 5-P PS VDB 5-P ORB VDB 5-P SB VDB 5-P BK	2	\$515 \$635 \$635 \$635 \$635
	ABS	Satin Stainless Polished Stainless Oil Rubbed Bronze Satin Bronze Matte Black	VDB 5-A SS VDB 5-A PS VDB 5-A ORB VDB 5-A SB VDB 5-A BK	2	\$515 \$635 \$635 \$635 \$635
  <ul style="list-style-type: none"> (a) VS 5 - Decorative Plate (b) HB 65 - Hair Basket (c) T 52 - 2" Throat (d) Bonded Flange 	Stainless Steel	Satin Stainless Polished Stainless Oil Rubbed Bronze Satin Bronze Matte Black	VDB 5-S SS VDB 5-S PS VDB 5-S ORB VDB 5-S SB VDB 5-S BK	4	\$615 \$735 \$735 \$735 \$735

Description	Drain Body	Finish	Model	Lbs	List
 HIGH FLOW 5" x 5" VD 5 Kit with HIGH FLOW Drain Body 3" Outlet. Kit Includes: 1 - VS 5 - 5" x 5" Decorative Plate 1 - T 54 - 4" Throat (High Flow) 1 - HMK-C4-D Hair Maintenance Kit: 1 - DKEY Lift-Out Key 1 - HS 4 Hair Strainer 1 - CDI/ CDA/ CDP 43 Drain Body	Cast Iron**	Satin Stainless Polished Stainless Oil Rubbed Bronze Satin Bronze Matte Black	VD 5-3I SS VD 5-3I PS VD 5-3I ORB VD 5-3I SB VD 5-3I BK	22	\$665 \$785 \$785 \$785 \$785

**If ABS or PVC drain body desired, replace I with A or P in model number (Example: VD 5-3A SS)

*See page 189 for more information on flow rates. See page 148 for individual components. See pages 233-234 for shipping dimensions.

ND 4 - Lines

4"x4" Center Drain

Specifications	
Decorative Plate Material:	7 Ga. 304L Stainless Steel
Throat Material:	304L Stainless Steel
Flow Rate:	9 GPM Standard

Description	Finish	Model	Lbs	List
4" x 4" 304L Stainless Steel Strainer with 2" Throat: 1 - NS 4 - 4" x 4" Stainless Steel Decorative Plate 1 - T 42 - Stainless Steel 2" Throat with mud guard 1 - HMK-C2-D Hair Maintenance Kit: 1 - HB 65 Hair Basket 1 - DKEY Lift Out Key	Satin Stainless	N 4-SS	1	\$330
	Polished Stainless	N 4-PS		\$430
	Oil Rubbed Bronze	N 4-ORB		\$430
	Satin Bronze	N 4-SB		\$430
	Matte Black	N 4-BK		\$430






(a) NS 4 - Decorative Plate
(b) HB 65 - Hair Basket
(c) T 42 - 2" Throat

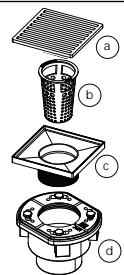




NEW
Hair Maintenance kit included
Learn more on pages 191-192

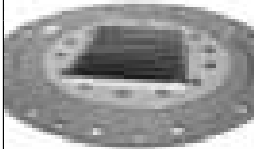
Description	Drain Body	Finish	Model	Lbs	List
<div style="border: 1px solid black; padding: 2px; width: 30px; text-align: center; font-weight: bold; font-size: 1.2em;">T</div> 4" x 4" ND 4 Kit with Drain Body 2" Outlet. Kit Includes: 1 - NS 4 - 4" x 4" Stainless Steel Decorative Plate 1 - T 42 - Stainless Steel 2" Throat with mud guard 1 - HMK-C2-D Hair Maintenance Kit: 1 - HB 65 Hair Basket 1 - DKEY Lift Out Key 1 - CDI 22/CDIH 22/CDP 22/CDA 22 Drain Body	Cast Iron	Satin Stainless	ND 4-2I SS	5	\$415
		Polished Stainless	ND 4-2I PS		\$515
		Oil Rubbed Bronze	ND 4-2I ORB		\$515
		Satin Bronze	ND 4-2I SB		\$515
		Matte Black	ND 4-2I BK		\$515
	Cast Iron (For Hot Mop)	Satin Stainless	ND 4-2H SS	5	\$415
		Polished Stainless	ND 4-2H PS		\$515
		Oil Rubbed Bronze	ND 4-2H ORB		\$515
		Satin Bronze	ND 4-2H SB		\$515
		Matte Black	ND 4-2H BK		\$515

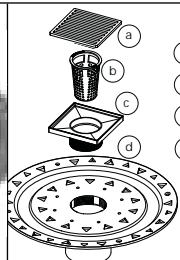




(a) NS 4 - Decorative Plate
(b) HB 65 - Hair Basket
(c) T 42 - 2" Throat
(d) 2 inch Drain Body

Description	Bonded Flange	Finish	Model	Lbs	List
<div style="border: 1px solid black; padding: 2px; width: 30px; text-align: center; font-weight: bold; font-size: 1.2em;">L/F</div> 4" x 4" ND 4 Kit with Bonded Flange 2", 3", and 4" Outlet. Kit Includes: 1 - NS 4 - 4" x 4" Stainless Steel Decorative Plate 1 - T 42 - Stainless Steel 2" Throat with mud guard 1 - HMK-C2-D Hair Maintenance Kit: 1 - HB 65 Hair Basket 1 - DKEY Lift Out Key 1 - BFP 22/ BFA 22/ BFS 22 Bonded Flange	PVC	Satin Stainless	NDB 4-P SS	2	\$455
		Polished Stainless	NDB 4-P PS		\$555
		Oil Rubbed Bronze	NDB 4-P ORB		\$555
		Satin Bronze	NDB 4-P SB		\$555
		Matte Black	NDB 4-P BK		\$555
		ABS	Satin Stainless		NDB 4-A SS
	Polished Stainless		NDB 4-A PS	\$555	
	Oil Rubbed Bronze		NDB 4-A ORB	\$555	
	Satin Bronze		NDB 4-A SB	\$555	
	Matte Black		NDB 4-A BK	\$555	
	Stainless Steel		Satin Stainless	NDB 4-S SS	4
		Polished Stainless	NDB 4-S PS	\$655	
Oil Rubbed Bronze		NDB 4-S ORB	\$655		
Satin Bronze		NDB 4-S SB	\$655		
Matte Black		NDB 4-S BK	\$655		





(a) NS 4 - Decorative Plate
(b) HB 65 - Hair Basket
(c) T 42 - 2" Throat
(d) Bonded Flange



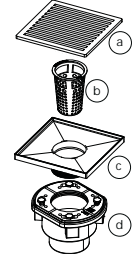
*See page 189 for more information on flow rates. See page 147 for individual components. See page 222 for shipping dimensions.



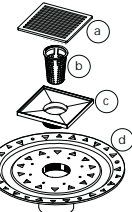
Specifications	
Decorative Plate Material:	7 Ga. 304L Stainless Steel
Throat Material:	304L Stainless Steel
Flow Rate:	9 GPM Standard 21 GPM High Flow


ND 5 - Lines

5"x5" Center Drain

Description	Finish	Model	Lbs	List
5" x 5" 304L Stainless Steel Strainer with 2" Throat: 1 - NS 5 - 5" x 5" Stainless Steel Decorative Plate 1 - T 52 - Stainless Steel 2" Throat with mud guard 1 - HMK-C2-D Hair Maintenance Kit: 1 - HB 65 Hair Basket 1 - DKEY Lift Out Key	Satin Stainless Polished Stainless Oil Rubbed Bronze Satin Bronze Matte Black	N 5-SS N 5-PS N 5-ORB N 5-SB N 5-BK	1	\$390 \$510 \$510 \$510 \$510
  <ul style="list-style-type: none"> (a) NS 5 - Decorative Plate (b) HB 65 - Hair Basket (c) T 52 - 2" Throat 		 <p>NEW</p> <p>Hair Maintenance kit included Learn more on pages 191-192</p>		

Description	Drain Body	Finish	Model	Lbs	List
 TRADITIONAL WATERPROOFING 5" x 5" ND 5 Kit with Drain Body 2" Outlet. Kit Includes: 1 - NS 5 - 5" x 5" Stainless Steel Decorative Plate 1 - T 52 - Stainless Steel 2" Throat with mud guard 1 - HMK-C2-D Hair Maintenance Kit: 1 - HB 65 Hair Basket 1 - DKEY Lift Out Key 1 - CDI 22/CDIH 22/CDP 22/CDA 22 Drain Body	Cast Iron	Satin Stainless Polished Stainless Oil Rubbed Bronze Satin Bronze Matte Black	ND 5-2I SS ND 5-2I PS ND 5-2I ORB ND 5-2I SB ND 5-2I BK	5	\$475 \$595 \$595 \$595 \$595
	Cast Iron (For Hot Mop)	Satin Stainless Polished Stainless Oil Rubbed Bronze Satin Bronze Matte Black	ND 5-2H SS ND 5-2H PS ND 5-2H ORB ND 5-2H SB ND 5-2H BK	5	\$475 \$595 \$595 \$595 \$595
  <ul style="list-style-type: none"> (a) NS 5 - Decorative Plate (b) HB 65 - Hair Basket (c) T 52 - 2" Throat (d) 2 inch Drain Body 	ABS	Satin Stainless Polished Stainless Oil Rubbed Bronze Satin Bronze Matte Black	ND 5-2A SS ND 5-2A PS ND 5-2A ORB ND 5-2A SB ND 5-2A BK	2	\$455 \$575 \$575 \$575 \$575
	PVC	Satin Stainless Polished Stainless Oil Rubbed Bronze Satin Bronze Matte Black	ND 5-2P SS ND 5-2P PS ND 5-2P ORB ND 5-2P SB ND 5-2P BK	2	\$455 \$575 \$575 \$575 \$575

Description	Bonded Flange	Finish	Model	Lbs	List
 LIQUID/FABRIC WATERPROOFING 5" x 5" ND 5 Kit with Bonded Flange 2", 3", and 4" Outlet. Kit Includes: 1 - NS 5 - 5" x 5" Stainless Steel Decorative Plate 1 - T 52 - Stainless Steel 2" Throat with mud guard 1 - HMK-C2-D Hair Maintenance Kit: 1 - HB 65 Hair Basket 1 - DKEY Lift Out Key 1 - BFP 22/ BFA 22/ BFS 22 Bonded Flange	PVC	Satin Stainless Polished Stainless Oil Rubbed Bronze Satin Bronze Matte Black	NDB 5-P SS NDB 5-P PS NDB 5-P ORB NDB 5-P SB NDB 5-P BK	2	\$515 \$635 \$635 \$635 \$635
	ABS	Satin Stainless Polished Stainless Oil Rubbed Bronze Satin Bronze Matte Black	NDB 5-A SS NDB 5-A PS NDB 5-A ORB NDB 5-A SB NDB 5-A BK	2	\$515 \$635 \$635 \$635 \$635
  <ul style="list-style-type: none"> (a) NS 5 - Decorative Plate (b) HB 65 - Hair Basket (c) T 52 - 2" Throat (d) Bonded Flange 	Stainless Steel	Satin Stainless Polished Stainless Oil Rubbed Bronze Satin Bronze Matte Black	NDB 5-S SS NDB 5-S PS NDB 5-S ORB NDB 5-S SB NDB 5-S BK	4	\$615 \$735 \$735 \$735 \$735

Description	Drain Body	Finish	Model	Lbs	List
 HIGH FLOW 5" x 5" ND 5 Kit with HIGH FLOW Drain Body 3" Outlet. Kit Includes: 1 - NS 5 - 5" x 5" Decorative Plate 1 - T 54 - 4" Throat (High Flow) 1 - HMK-C4-D Hair Maintenance Kit: 1 - DKEY Lift-Out Key 1 - HS 4 Hair Strainer 1 - CDI/ CDA/ CDP 43 Drain Body	Cast Iron**	Satin Stainless Polished Stainless Oil Rubbed Bronze Satin Bronze Matte Black	ND 5-3I SS ND 5-3I PS ND 5-3I ORB ND 5-3I SB ND 5-3I BK	22	\$665 \$785 \$785 \$785 \$785

**If ABS or PVC drain body desired, replace I with A or P in model number (Example: ND 5-3A SS)


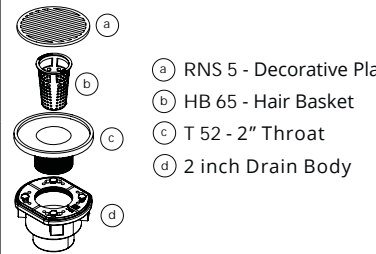
*See page 189 for more information on flow rates. See page 148 for individual components. See page 222 for shipping dimensions.


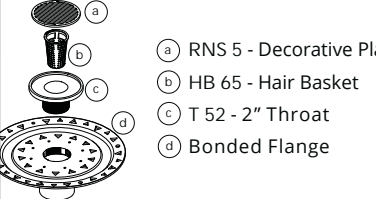
RND 5 - Lines


5" Round Center Drain

Specifications	
Decorative Plate Material:	7 Ga. 304L Stainless Steel
Throat Material:	304L Stainless Steel
Flow Rate:	9 GPM Standard 21 GPM High Flow

Description	Finish	Model	Lbs	List
5" 304L Stainless Steel Strainer with 2" Throat: 1 - RNS 5 - 5" Stainless Steel Decorative Plate 1 - T 52 - Stainless Steel 2" Throat with mud guard 1 - HMK-C2-D Hair Maintenance Kit: 1 - HB 65 Hair Basket 1 - DKEY Lift Out Key	Satin Stainless Polished Stainless Oil Rubbed Bronze Satin Bronze Matte Black	RN 5-SS RN 5-PS RN 5-ORB RN 5-SB RN 5-BK	1	\$390 \$510 \$510 \$510 \$510
 				Hair Maintenance kit included Learn more on pages 191-192

Description	Drain Body	Finish	Model	Lbs	List
 5" RND 5 Kit with Drain Body 2" Outlet. Kit Includes: 1 - RNS 5 - 5" Stainless Steel Decorative Plate 1 - T 52 - Stainless Steel 2" Throat with mud guard 1 - HMK-C2-D Hair Maintenance Kit: 1 - HB 65 Hair Basket 1 - DKEY Lift Out Key 1 - CDI 22/CDIH 22/CDP 22/CDA 22 Drain Body	Cast Iron	Satin Stainless Polished Stainless Oil Rubbed Bronze Satin Bronze Matte Black	RND 5-2I SS RND 5-2I PS RND 5-2I ORB RND 5-2I SB RND 5-2I BK	5	\$475 \$595 \$595 \$595 \$595
	Cast Iron (For Hot Mop)	Satin Stainless Polished Stainless Oil Rubbed Bronze Satin Bronze Matte Black	RND 5-2H SS RND 5-2H PS RND 5-2H ORB RND 5-2H SB RND 5-2H BK	5	\$475 \$595 \$595 \$595 \$595
	ABS	Satin Stainless Polished Stainless Oil Rubbed Bronze Satin Bronze Matte Black	RND 5-2A SS RND 5-2A PS RND 5-2A ORB RND 5-2A SB RND 5-2A BK	2	\$455 \$575 \$575 \$575 \$575
	PVC	Satin Stainless Polished Stainless Oil Rubbed Bronze Satin Bronze Matte Black	RND 5-2P SS RND 5-2P PS RND 5-2P ORB RND 5-2P SB RND 5-2P BK	2	\$455 \$575 \$575 \$575 \$575

Description	Bonded Flange	Finish	Model	Lbs	List
 5" RND 5 Kit with Bonded Flange 2", 3", and 4" Outlet. Kit Includes: 1 - RNS 5 - 5" Stainless Steel Decorative Plate 1 - T 52 - Stainless Steel 2" Throat with mud guard 1 - HMK-C2-D Hair Maintenance Kit: 1 - HB 65 Hair Basket 1 - DKEY Lift Out Key 1 - BFP 22/ BFA 22/ BFS 22 Bonded Flange	PVC	Satin Stainless Polished Stainless Oil Rubbed Bronze Satin Bronze Matte Black	RNDB 5-P SS RNDB 5-P PS RNDB 5-P ORB RNDB 5-P SB RNDB 5-P BK	2	\$515 \$635 \$635 \$635 \$635
	ABS	Satin Stainless Polished Stainless Oil Rubbed Bronze Satin Bronze Matte Black	RNDB 5-A SS RNDB 5-A PS RNDB 5-A ORB RNDB 5-A SB RNDB 5-A BK	2	\$515 \$635 \$635 \$635 \$635
	Stainless Steel	Satin Stainless Polished Stainless Oil Rubbed Bronze Satin Bronze Matte Black	RNDB 5-S SS RNDB 5-S PS RNDB 5-S ORB RNDB 5-S SB RNDB 5-S BK	5	\$615 \$735 \$735 \$735 \$735

Description	Drain Body	Finish	Model	Lbs	List
 5" RND 5 Kit with HIGH FLOW Drain Body 3" Outlet. Kit Includes: 1 - RNS 5 5" Decorative Plate 1 - T 54 4" Throat (High Flow) 1 - HMK-C4-D Hair Maintenance Kit: 1 - DKEY Lift-Out Key 1 - HS 4 Hair Strainer 1 - CDI/ CDA/ CDP 43 Drain Body	Cast Iron**	Satin Stainless Polished Stainless Oil Rubbed Bronze Satin Bronze Matte Black	RND 5-3I SS RND 5-3I PS RND 5-3I ORB RND 5-3I SB RND 5-3I BK	22	\$665 \$785 \$785 \$785 \$785

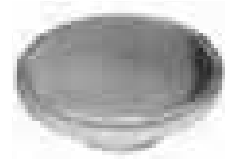
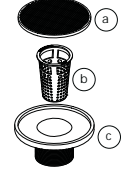
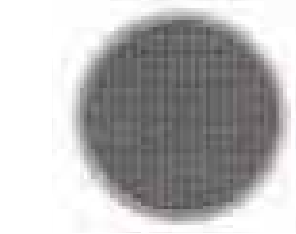

**If ABS or PVC drain body desired, replace I with A or P in model number (Example: RND 5-3A SS)


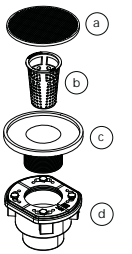
*See page 189 for more information on flow rates. See page 149 for individual components. See page 225 for shipping dimensions.


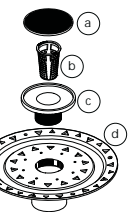
Specifications	
Decorative Plate Material:	316L Stainless Steel Wedge Wire
Throat Material:	304L Stainless Steel
Flow Rate:	9 GPM Standard 21 GPM High Flow

RWD 5 - Wedge Wire

5" Round Center Drain

Description	Finish	Model	Lbs	List
5" 304L Stainless Steel Strainer with 2" Throat: 1 - RWS 5 - 5" Stainless Steel Decorative Plate 1 - T 52 - Stainless Steel 2" Throat with mud guard 1 - HMK-C2-W Hair Maintenance Kit: 1 - HB 65 Hair Basket 1 - WKEY Lift Out Key	Satin Stainless Polished Stainless Oil Rubbed Bronze Satin Bronze Matte Black	RW 5-SS RW 5-PS RW 5-ORB RW 5-SB RW 5-BK	1	\$515 \$635 \$635 \$635 \$635
 				Hair Maintenance kit included Learn more on pages 191-192

Description	Drain Body	Finish	Model	Lbs	List
T TRADITIONAL WATERPROOFING 5" RWD 5 Kit with Drain Body 2" Outlet. Kit Includes: 1 - RWS 5 - 5" Stainless Steel Decorative Plate 1 - T 52 - Stainless Steel 2" Throat with mud guard 1 - HMK-C2-W Hair Maintenance Kit: 1 - HB 65 Hair Basket 1 - WKEY Lift Out Key 1 - CDI 22/CDIH 22/CDP 22/CDA 22 Drain Body	Cast Iron	Satin Stainless Polished Stainless Oil Rubbed Bronze Satin Bronze Matte Black	RWD 5-2I SS RWD 5-2I PS RWD 5-2I ORB RWD 5-2I SB RWD 5-2I BK	5	\$600 \$720 \$720 \$720 \$720
	Cast Iron (For Hot Mop)	Satin Stainless Polished Stainless Oil Rubbed Bronze Satin Bronze Matte Black	RWD 5-2H SS RWD 5-2H PS RWD 5-2H ORB RWD 5-2H SB RWD 5-2H BK	5	\$600 \$720 \$720 \$720 \$720
 	ABS	Satin Stainless Polished Stainless Oil Rubbed Bronze Satin Bronze Matte Black	RWD 5-2A SS RWD 5-2A PS RWD 5-2A ORB RWD 5-2A SB RWD 5-2A BK	2	\$580 \$700 \$700 \$700 \$700
	PVC	Satin Stainless Polished Stainless Oil Rubbed Bronze Satin Bronze Matte Black	RWD 5-2P SS RWD 5-2P PS RWD 5-2P ORB RWD 5-2P SB RWD 5-2P BK	2	\$580 \$700 \$700 \$700 \$700

Description	Bonded Flange	Finish	Model	Lbs	List
L/F LIQUID/FABRIC WATERPROOFING 5" RWD 5 Kit with Bonded Flange 2", 3", and 4" Outlet. Kit Includes: 1 - RWS 5 - 5" Stainless Steel Decorative Plate 1 - T 52 - Stainless Steel 2" Throat with mud guard 1 - HMK-C2-W Hair Maintenance Kit: 1 - HB 65 Hair Basket 1 - WKEY Lift Out Key 1 - BFP 22/ BFA 22/ BFS 22 Bonded Flange	PVC	Satin Stainless Polished Stainless Oil Rubbed Bronze Satin Bronze Matte Black	RWDB 5-P SS RWDB 5-P PS RWDB 5-P ORB RWDB 5-P SB RWDB 5-P BK	2	\$640 \$760 \$760 \$760 \$760
	ABS	Satin Stainless Polished Stainless Oil Rubbed Bronze Satin Bronze Matte Black	RWDB 5-A SS RWDB 5-A PS RWDB 5-A ORB RWDB 5-A SB RWDB 5-A BK	2	\$640 \$760 \$760 \$760 \$760
 	Stainless Steel	Satin Stainless Polished Stainless Oil Rubbed Bronze Satin Bronze Matte Black	RWDB 5-S SS RWDB 5-S PS RWDB 5-S ORB RWDB 5-S SB RWDB 5-S BK	4	\$740 \$860 \$860 \$860 \$860

Description	Drain Body	Finish	Model	Lbs	List
HIGH FLOW 5" RWD 5 Kit with HIGH FLOW Drain Body 3" Outlet. Kit Includes: 1 - RWS 5 5" Decorative Plate 1 - T 54 4" Throat (High Flow) 1 - HMK-C4-W Hair Maintenance Kit: 1 - WKEY Lift-Out Key 1 - HS 4 Hair Strainer 1 - CDI/ CDA/ CDP 43 Drain Body	Cast Iron**	Satin Stainless Polished Stainless Oil Rubbed Bronze Satin Bronze Matte Black	RWD 5-3I SS RWD 5-3I PS RWD 5-3I ORB RWD 5-3I SB RWD 5-3I BK	22	\$790 \$910 \$910 \$910 \$910

**If ABS or PVC drain body desired, replace I with A or P in model number (Example: RWD 5-3A SS)






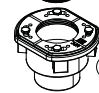
*See page 189 for more information on flow rates. See page 149 for individual components. See page 225 for shipping dimensions.


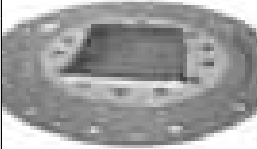




WD 4 - Wedge Wire

4"x4" Center Drain

Specifications	
Decorative Plate Material:	316L Stainless Steel Wedge Wire
Throat Material:	304L Stainless Steel
Flow Rate:	9 GPM Standard

Description	Finish	Model	Lbs	List
4" x 4" 304L Stainless Steel Strainer with 2" Throat: 1 - WS 4 - 4" x 4" Stainless Steel Decorative Plate 1 - T 42 - Stainless Steel 2" Throat with mud guard 1 - HMK-C2-W Hair Maintenance Kit: 1 - HB 65 Hair Basket 1 - WKEY Lift Out Key	Satin Stainless Polished Stainless Oil Rubbed Bronze Satin Bronze Matte Black	W 4-SS W 4-PS W 4-ORB W 4-SB W 4-BK	1	\$430 \$530 \$530 \$530 \$530
   <p> (a) WS 4 - Decorative Plate (b) HB 65 - Hair Basket (c) T 42 - 2" Throat </p>		 <p> NEW Hair Maintenance kit included Learn more on pages 191-192 </p>		

Description	Drain Body	Finish	Model	Lbs	List
 TRADITIONAL WATERPROOFING 4" x 4" WD 4 Kit with Drain Body 2" Outlet. Kit Includes: 1 - WS 4 - 4" x 4" Stainless Steel Decorative Plate 1 - T 42 - Stainless Steel 2" Throat with mud guard 1 - HMK-C2-W Hair Maintenance Kit: 1 - HB 65 Hair Basket 1 - WKEY Lift Out Key 1 - CDI 22/CDIH 22/CDP 22/CDA 22 Drain Body	Cast Iron	Satin Stainless Polished Stainless Oil Rubbed Bronze Satin Bronze Matte Black	WD 4-2I SS WD 4-2I PS WD 4-2I ORB WD 4-2I SB WD 4-2I BK	5	\$515 \$615 \$615 \$615 \$615
	Cast Iron (For Hot Mop)	Satin Stainless Polished Stainless Oil Rubbed Bronze Satin Bronze Matte Black	WD 4-2H SS WD 4-2H PS WD 4-2H ORB WD 4-2H SB WD 4-2H BK	5	\$515 \$615 \$615 \$615 \$615
     <p> (a) WS 4 - Decorative Plate (b) HB 65 - Hair Basket (c) T 42 - 2" Throat (d) 2 inch Drain Body </p>	ABS	Satin Stainless Polished Stainless Oil Rubbed Bronze Satin Bronze Matte Black	WD 4-2A SS WD 4-2A PS WD 4-2A ORB WD 4-2A SB WD 4-2A BK	2	\$495 \$595 \$595 \$595 \$595
	PVC	Satin Stainless Polished Stainless Oil Rubbed Bronze Satin Bronze Matte Black	WD 4-2P SS WD 4-2P PS WD 4-2P ORB WD 4-2P SB WD 4-2P BK	2	\$495 \$595 \$595 \$595 \$595

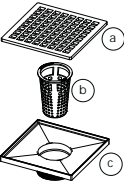
Description	Bonded Flange	Finish	Model	Lbs	List
 LIQUID/FABRIC WATERPROOFING 4" x 4" WD 4 Kit with Bonded Flange 2", 3", and 4" Outlet. Kit Includes: 1 - WS 4 - 4" x 4" Stainless Steel Decorative Plate 1 - T 42 - Stainless Steel 2" Throat with mud guard 1 - HMK-C2-W Hair Maintenance Kit: 1 - HB 65 Hair Basket 1 - WKEY Lift Out Key 1 - BFP 22/ BFA 22/ BFS 22 Bonded Flange	PVC	Satin Stainless Polished Stainless Oil Rubbed Bronze Satin Bronze Matte Black	WDB 4-P SS WDB 4-P PS WDB 4-P ORB WDB 4-P SB WDB 4-P BK	2	\$555 \$655 \$655 \$655 \$655
	ABS	Satin Stainless Polished Stainless Oil Rubbed Bronze Satin Bronze Matte Black	WDB 4-A SS WDB 4-A PS WDB 4-A ORB WDB 4-A SB WDB 4-A BK	2	\$555 \$655 \$655 \$655 \$655
     <p> (a) WS 4 - Decorative Plate (b) HB 65 - Hair Basket (c) T 42 - 2" Throat (d) Bonded Flange </p>	Stainless Steel	Satin Stainless Polished Stainless Oil Rubbed Bronze Satin Bronze Matte Black	WDB 4-S SS WDB 4-S PS WDB 4-S ORB WDB 4-S SB WDB 4-S BK	4	\$655 \$755 \$755 \$755 \$755

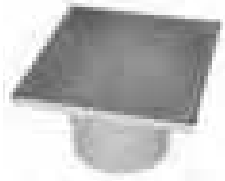
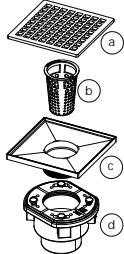
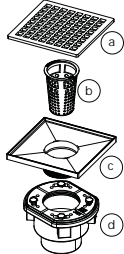
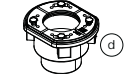
*See page 189 for more information on flow rates. See page 147 for individual components. See pages 234-235 for shipping dimensions.


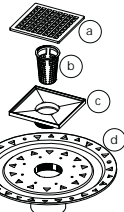
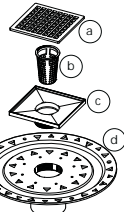

Specifications	
Decorative Plate Material:	316L Stainless Steel Wedge Wire
Throat Material:	304L Stainless Steel
Flow Rate:	9 GPM Standard 21 GPM High Flow

WD 5 - Wedge Wire

5"x5" Center Drain

Description	Finish	Model	Lbs	List
5" x 5" 304L Stainless Steel Strainer with 2" Throat: 1 - WS 5 - 5" x 5" Stainless Steel Decorative Plate 1 - T 52 - Stainless Steel 2" Throat with mud guard 1 - HMK-C2-W Hair Maintenance Kit: 1 - HB 65 Hair Basket 1 - WKEY Lift Out Key	Satin Stainless Polished Stainless Oil Rubbed Bronze Satin Bronze Matte Black	W 5-SS W 5-PS W 5-ORB W 5-SB W 5-BK	1	\$515 \$635 \$635 \$635 \$635
   <p>(a) WS 5 - Decorative Plate (b) HB 65 - Hair Basket (c) T 52 - 2" Throat</p>		 <p>NEW Hair Maintenance kit included Learn more on pages 191-192</p>		

Description	Drain Body	Finish	Model	Lbs	List
T TRADITIONAL WATERPROOFING 5" x 5" WD 5 Kit with Drain Body 2" Outlet. Kit Includes: 1 - WS 5 - 5" x 5" Stainless Steel Decorative Plate 1 - T 52 - Stainless Steel 2" Throat with mud guard 1 - HMK-C2-W Hair Maintenance Kit: 1 - HB 65 Hair Basket 1 - WKEY Lift Out Key 1 - CDI 22/CDIH 22/CDP 22/CDA 22 Drain Body	Cast Iron	Satin Stainless Polished Stainless Oil Rubbed Bronze Satin Bronze Matte Black	WD 5-2I SS WD 5-2I PS WD 5-2I ORB WD 5-2I SB WD 5-2I BK	5	\$600 \$720 \$720 \$720 \$720
	Cast Iron (For Hot Mop)	Satin Stainless Polished Stainless Oil Rubbed Bronze Satin Bronze Matte Black	WD 5-2H SS WD 5-2H PS WD 5-2H ORB WD 5-2H SB WD 5-2H BK	5	\$600 \$720 \$720 \$720 \$720
    <p>(a) WS 5 - Decorative Plate (b) HB 65 - Hair Basket (c) T 52 - 2" Throat (d) 2 inch Drain Body</p>	ABS	Satin Stainless Polished Stainless Oil Rubbed Bronze Satin Bronze Matte Black	WD 5-2A SS WD 5-2A PS WD 5-2A ORB WD 5-2A SB WD 5-2A BK	2	\$580 \$700 \$700 \$700 \$700
	PVC	Satin Stainless Polished Stainless Oil Rubbed Bronze Satin Bronze Matte Black	WD 5-2P SS WD 5-2P PS WD 5-2P ORB WD 5-2P SB WD 5-2P BK	2	\$580 \$700 \$700 \$700 \$700

Description	Bonded Flange	Finish	Model	Lbs	List
L/F LIQUID/FABRIC WATERPROOFING 5" x 5" WD 5 Kit with Bonded Flange 2", 3", and 4" Outlet. Kit Includes: 1 - WS 5 - 5" x 5" Stainless Steel Decorative Plate 1 - T 52 - Stainless Steel 2" Throat with mud guard 1 - HMK-C2-W Hair Maintenance Kit: 1 - HB 65 Hair Basket 1 - WKEY Lift Out Key 1 - BFP 22/ BFA 22/ BFS 22 Bonded Flange	PVC	Satin Stainless Polished Stainless Oil Rubbed Bronze Satin Bronze Matte Black	WDB 5-P SS WDB 5-P PS WDB 5-P ORB WDB 5-P SB WDB 5-P BK	2	\$640 \$760 \$760 \$760 \$760
	ABS	Satin Stainless Polished Stainless Oil Rubbed Bronze Satin Bronze Matte Black	WDB 5-A SS WDB 5-A PS WDB 5-A ORB WDB 5-A SB WDB 5-A BK	2	\$640 \$760 \$760 \$760 \$760
    <p>(a) WS 5 - Decorative Plate (b) HB 65 - Hair Basket (c) T 52 - 2" Throat (d) Bonded Flange</p>	Stainless Steel	Satin Stainless Polished Stainless Oil Rubbed Bronze Satin Bronze Matte Black	WDB 5-S SS WDB 5-S PS WDB 5-S ORB WDB 5-S SB WDB 5-S BK	4	\$740 \$860 \$860 \$860 \$860

Description	Drain Body	Finish	Model	Lbs	List
HIGH FLOW 5" x 5" WD 5 Kit with HIGH FLOW Drain Body 3" Outlet. Kit Includes: 1 - WS 5 - 5" x 5" Decorative Plate 1 - T 54 - 4" Throat (High Flow) 1 - HMK-C4-W Hair Maintenance Kit: 1 - WKEY Lift-Out Key 1 - HS 4 Hair Strainer 1 - CDI/ CDA/ CDP 43 Drain Body	Cast Iron**	Satin Stainless Polished Stainless Oil Rubbed Bronze Satin Bronze Matte Black	WD 5-3I SS WD 5-3I PS WD 5-3I ORB WD 5-3I SB WD 5-3I BK	22	\$790 \$910 \$910 \$910 \$910

**If ABS or PVC drain body desired, replace I with A or P in model number (Example: WD 5-3A SS)

*See page 189 for more information on flow rates. See page 148 for individual components. See pages 234-235 for shipping dimensions.

Center drain sensitivity




Solid
Polished Stainless



Squares
Satin Bronze

Center Drain Pro-Series

Center drains, the sweet spot between function and beauty. The new Center Drain Pro-Series offers the benefit of not only being big on style, but a smart value. Backed by the engineering of Infinity Drain, Center Drain Pro-Series is dependable, livable and accessible.



Slotted
Oil Rubbed Bronze

Solid
Matte Black


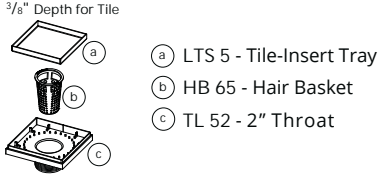


Tile Drain - Square
Customizable - tile not provided
Satin Stainless



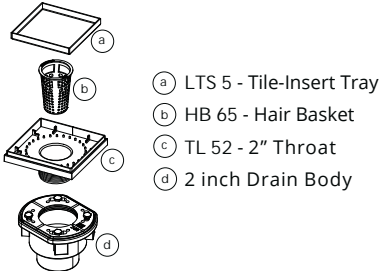
Wedge Wire
Satin Stainless



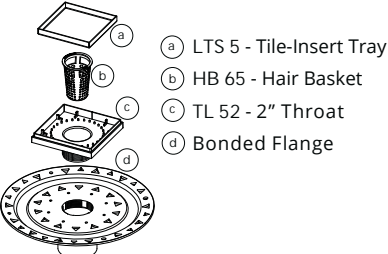
LTD 5 - Tile Drain

Pro-Series 5"x5" Center Drain

Specifications	
Insert Material:	16 Ga. 304L Stainless Steel
Throat Material:	ABS
Flow Rate:	8 GPM

Description	Finish	Model	Lbs	List
5" x 5" Tile Drain Strainer with 2" ABS Throat: Compatible with standard 2" floor drain: Jones Stephens, Oatey 151, EZ test, and Frank Pattern Instant Set. Strainer and Throat include: 1 - LTS 5 - 5" x 5" Stainless Steel Tile-Insert Tray 1 - TL 52 - ABS 2" Throat 1 - HMK-C2-D Hair Maintenance Kit: 1 - HB 65 Hair Basket 1 - DKEY Lift Out Key	Satin Stainless Polished Stainless Oil Rubbed Bronze Satin Bronze Matte Black	LT5-2-SS LT5-2-PS LT5-2-ORB LT5-2-SB LT5-2-BK	1	\$135 \$195 \$195 \$195 \$195
 		 <p>Hair Maintenance kit included Learn more on pages 191-192</p>		

Description	Drain Body	Finish	Model	Lbs	List
 5" x 5" LTD 5 Kit with Drain Body 2" Outlet. Kit Includes: 1 - LTS 5 - 5" x 5" Stainless Steel Tile-Insert Tray 1 - TL 52 - ABS 2" Throat 1 - HMK-C2-D Hair Maintenance Kit: 1 - HB 65 Hair Basket 1 - DKEY Lift Out Key 1 - CDI 22/CDIH 22/CDP 22/CDA 22 Drain Body	Cast Iron	Satin Stainless Polished Stainless Oil Rubbed Bronze Satin Bronze Matte Black	LTD5-2I SS LTD5-2I PS LTD5-2I ORB LTD5-2I SB LTD5-2I BK	5	\$220 \$280 \$280 \$280 \$280
	Cast Iron (For Hot Mop)	Satin Stainless Polished Stainless Oil Rubbed Bronze Satin Bronze Matte Black	LTD5-2H SS LTD5-2H PS LTD5-2H ORB LTD5-2H SB LTD5-2H BK	5	\$220 \$280 \$280 \$280 \$280
 	ABS	Satin Stainless Polished Stainless Oil Rubbed Bronze Satin Bronze Matte Black	LTD5-2A SS LTD5-2A PS LTD5-2A ORB LTD5-2A SB LTD5-2A BK	2	\$200 \$260 \$260 \$260 \$260
	PVC	Satin Stainless Polished Stainless Oil Rubbed Bronze Satin Bronze Matte Black	LTD5-2P SS LTD5-2P PS LTD5-2P ORB LTD5-2P SB LTD5-2P BK	2	\$200 \$260 \$260 \$260 \$260

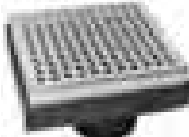
Description	Bonded Flange	Finish	Model	Lbs	List
 5" x 5" LTD 5 Kit with Bonded Flange 2", 3", and 4" Outlet. Kit Includes: 1 - LTS 5 - 5" x 5" Stainless Steel Tile-Insert Tray 1 - TL 52 - ABS 2" Throat 1 - HMK-C2-D Hair Maintenance Kit: 1 - HB 65 Hair Basket 1 - DKEY Lift Out Key 1 - BFP 22/ BFA 22/ BFS 22 Bonded Flange	PVC	Satin Stainless Polished Stainless Oil Rubbed Bronze Satin Bronze Matte Black	LTD5 BP SS LTD5 BP PS LTD5 BP ORB LTD5 BP SB LTD5 BP BK	2	\$325 \$385 \$385 \$385 \$385
	ABS	Satin Stainless Polished Stainless Oil Rubbed Bronze Satin Bronze Matte Black	LTD5 BA SS LTD5 BA PS LTD5 BA ORB LTD5 BA SB LTD5 BA BK	2	\$325 \$385 \$385 \$385 \$385
 	Stainless Steel	Satin Stainless Polished Stainless Oil Rubbed Bronze Satin Bronze Matte Black	LTD5 BS SS LTD5 BS PS LTD5 BS ORB LTD5 BS SB LTD5 BS BK	4	\$425 \$485 \$485 \$485 \$485



*See page 189 for more information on flow rates. See page 150 for individual components. See pages 220-221 for shipping dimensions.

Specifications	
Insert Material:	16 Ga. 304L Stainless Steel
Throat Material:	ABS
Flow Rate:	8 GPM

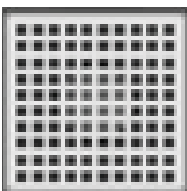
NEW LQD 5 - Squares
Pro-Series 5"x5" Center Drain


Description	Finish	Model	Lbs	List
5" x 5" Stainless Steel Strainer with 2" ABS Throat: Compatible with standard 2" floor drain: Jones Stephens, Oatey 151, EZ test, and Frank Pattern Instant Set. Strainer and Throat include: 1 - LQS 5 - 5" x 5" Stainless Steel Cover 1 - TL 52 - ABS 2" Throat 1 - HMK-C2-D Hair Maintenance Kit: 1 - HB 65 Hair Basket 1 - DKEY Lift Out Key	Satin Stainless	LQ5-2-SS	1	\$135
	Polished Stainless	LQ5-2-PS		\$195
	Oil Rubbed Bronze	LQ5-2-ORB		\$195
	Satin Bronze	LQ5-2-SB		\$195
	Matte Black	LQ5-2-BK		\$195



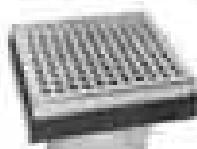




- (a) LQS 5 - Decorative Cover
- (b) HB 65 - Hair Basket
- (c) TL 52 - 2" Throat





NEW
Hair Maintenance kit included
Learn more on pages 191-192

Description	Drain Body	Finish	Model	Lbs	List
<div style="border: 1px solid black; padding: 2px; width: 20px; text-align: center; font-weight: bold; font-size: 1.2em;">T</div> 5" x 5" LQD 5 Kit with Drain Body 2" Outlet. Kit Includes: 1 - LQS 5 - 5" x 5" Stainless Steel Cover 1 - TL 52 - ABS 2" Throat 1 - HMK-C2-D Hair Maintenance Kit: 1 - HB 65 Hair Basket 1 - DKEY Lift Out Key 1 - CDI 22/CDIH 22/CDP 22/CDA 22 Drain Body	Cast Iron	Satin Stainless Polished Stainless Oil Rubbed Bronze Satin Bronze Matte Black	LQD5-2I SS LQD5-2I PS LQD5-2I ORB LQD5-2I SB LQD5-2I BK	5	\$220 \$280 \$280 \$280 \$280
	Cast Iron (For Hot Mop)	Satin Stainless Polished Stainless Oil Rubbed Bronze Satin Bronze Matte Black	LQD5-2H SS LQD5-2H PS LQD5-2H ORB LQD5-2H SB LQD5-2H BK	5	\$220 \$280 \$280 \$280 \$280
 <ul style="list-style-type: none"> (a) LQS 5 - Decorative Cover (b) HB 65 - Hair Basket (c) TL 52 - 2" Throat (d) 2 inch Drain Body 	ABS	Satin Stainless Polished Stainless Oil Rubbed Bronze Satin Bronze Matte Black	LQD5-2A SS LQD5-2A PS LQD5-2A ORB LQD5-2A SB LQD5-2A BK	2	\$200 \$260 \$260 \$260 \$260
	PVC	Satin Stainless Polished Stainless Oil Rubbed Bronze Satin Bronze Matte Black	LQD5-2P SS LQD5-2P PS LQD5-2P ORB LQD5-2P SB LQD5-2P BK	2	\$200 \$260 \$260 \$260 \$260


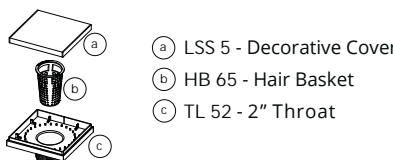
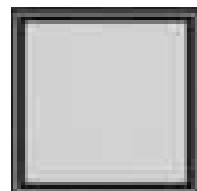

Description	Bonded Flange	Finish	Model	Lbs	List
<div style="border: 1px solid black; padding: 2px; width: 20px; text-align: center; font-weight: bold; font-size: 1.2em;">L/F</div> 5" x 5" LQD 5 Kit with Bonded Flange 2", 3", and 4" Outlet. Kit Includes: 1 - LQS 5 - 5" x 5" Stainless Steel Cover 1 - TL 52 - ABS 2" Throat 1 - HMK-C2-D Hair Maintenance Kit: 1 - HB 65 Hair Basket 1 - DKEY Lift Out Key 1 - BFP 22/ BFA 22/ BFS 22 Bonded Flange	PVC	Satin Stainless Polished Stainless Oil Rubbed Bronze Satin Bronze Matte Black	LQD5 BP SS LQD5 BP PS LQD5 BP ORB LQD5 BP SB LQD5 BP BK	2	\$325 \$385 \$385 \$385 \$385
	ABS	Satin Stainless Polished Stainless Oil Rubbed Bronze Satin Bronze Matte Black	LQD5 BA SS LQD5 BA PS LQD5 BA ORB LQD5 BA SB LQD5 BA BK	2	\$325 \$385 \$385 \$385 \$385
 <ul style="list-style-type: none"> (a) LQS 5 - Decorative Cover (b) HB 65 - Hair Basket (c) TL 52 - 2" Throat (d) Bonded Flange 	Stainless Steel	Satin Stainless Polished Stainless Oil Rubbed Bronze Satin Bronze Matte Black	LQD5 BS SS LQD5 BS PS LQD5 BS ORB LQD5 BS SB LQD5 BS BK	4	\$425 \$485 \$485 \$485 \$485


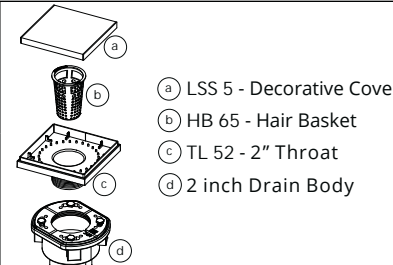
*See page 189 for more information on flow rates. See page 150 for individual components. See pages 220-221 for shipping dimensions.


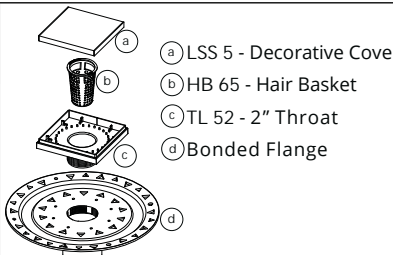
NEW LSD 5 - Solid

Pro-Series 5"x5" Center Drain

Specifications	
Insert Material:	16 Ga. 304L Stainless Steel
Throat Material:	ABS
Flow Rate:	8 GPM

Description	Finish	Model	Lbs	List
<p>5" x 5" Stainless Steel Strainer with 2" ABS Throat: Compatible with standard 2" floor drain: Jones Stephens, Oatey 151, EZ test, and Frank Pattern Instant Set. Strainer and Throat include:</p> <ul style="list-style-type: none"> 1 - LSS 5 - 5" x 5" Stainless Steel Cover 1 - TL 52 - ABS 2" Throat 1 - HMK-C2-D Hair Maintenance Kit: <ul style="list-style-type: none"> 1 - HB 65 Hair Basket 1 - DKEY Lift Out Key 	Satin Stainless Polished Stainless Oil Rubbed Bronze Satin Bronze Matte Black	LS5-2-SS LS5-2-PS LS5-2-ORB LS5-2-SB LS5-2-BK	1	\$135 \$195 \$195 \$195 \$195
 		 <p>NEW Hair Maintenance kit included Learn more on pages 191-192</p>		


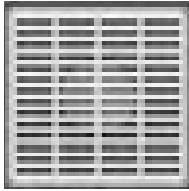




Description	Drain Body	Finish	Model	Lbs	List
<p>T TRADITIONAL WATERPROOFING</p> <p>5" x 5" LSD 5 Kit with Drain Body 2" Outlet. Kit Includes:</p> <ul style="list-style-type: none"> 1 - LSS 5 - 5" x 5" Stainless Steel Cover 1 - TL 52 - ABS 2" Throat 1 - HMK-C2-D Hair Maintenance Kit: <ul style="list-style-type: none"> 1 - HB 65 Hair Basket 1 - DKEY Lift Out Key 1 - CDI 22/CDIH 22/CDP 22/CDA 22 Drain Body 	Cast Iron	Satin Stainless Polished Stainless Oil Rubbed Bronze Satin Bronze Matte Black	LSD5-2I SS LSD5-2I PS LSD5-2I ORB LSD5-2I SB LSD5-2I BK	5	\$220 \$280 \$280 \$280 \$280
	Cast Iron (For Hot Mop)	Satin Stainless Polished Stainless Oil Rubbed Bronze Satin Bronze Matte Black	LSD5-2H SS LSD5-2H PS LSD5-2H ORB LSD5-2H SB LSD5-2H BK	5	\$220 \$280 \$280 \$280 \$280
 	ABS	Satin Stainless Polished Stainless Oil Rubbed Bronze Satin Bronze Matte Black	LSD5-2A SS LSD5-2A PS LSD5-2A ORB LSD5-2A SB LSD5-2A BK	2	\$200 \$260 \$260 \$260 \$260
	PVC	Satin Stainless Polished Stainless Oil Rubbed Bronze Satin Bronze Matte Black	LSD5-2P SS LSD5-2P PS LSD5-2P ORB LSD5-2P SB LSD5-2P BK	2	\$200 \$260 \$260 \$260 \$260


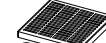


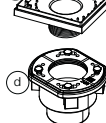
Description	Bonded Flange	Finish	Model	Lbs	List
<p>L/F LIQUID/FABRIC WATERPROOFING</p> <p>5" x 5" LSD 5 Kit with Bonded Flange 2", 3", and 4" Outlet. Kit Includes:</p> <ul style="list-style-type: none"> 1 - LSS 5 - 5" x 5" Stainless Steel Cover 1 - TL 52 - ABS 2" Throat 1 - HMK-C2-D Hair Maintenance Kit: <ul style="list-style-type: none"> 1 - HB 65 Hair Basket 1 - DKEY Lift Out Key 1 - BFP 22/ BFA 22/ BFS 22 Bonded Flange 	PVC	Satin Stainless Polished Stainless Oil Rubbed Bronze Satin Bronze Matte Black	LSD5 BP SS LSD5 BP PS LSD5 BP ORB LSD5 BP SB LSD5 BP BK	2	\$325 \$385 \$385 \$385 \$385
	ABS	Satin Stainless Polished Stainless Oil Rubbed Bronze Satin Bronze Matte Black	LSD5 BA SS LSD5 BA PS LSD5 BA ORB LSD5 BA SB LSD5 BA BK	2	\$325 \$385 \$385 \$385 \$385
 	Stainless Steel	Satin Stainless Polished Stainless Oil Rubbed Bronze Satin Bronze Matte Black	LSD5 BS SS LSD5 BS PS LSD5 BS ORB LSD5 BS SB LSD5 BS BK	4	\$425 \$485 \$485 \$485 \$485





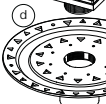
*See page 189 for more information on flow rates. See page 150 for individual components. See pages 220-221 for shipping dimensions.

Specifications	
Insert Material:	16 Ga. 304L Stainless Steel
Throat Material:	ABS
Flow Rate:	8 GPM

NEW LND 5 - Slotted
Pro-Series 5"x5" Center Drain

Description	Finish	Model	Lbs	List
5" x 5" Stainless Steel Strainer with 2" ABS Throat: Compatible with standard 2" floor drain: Jones Stephens, Oatey 151, EZ test, and Frank Pattern Instant Set. Strainer and Throat include: 1 - LNS 5 - 5" x 5" Stainless Steel Cover 1 - TL 52 - ABS 2" Throat 1 - HMK-C2-D Hair Maintenance Kit: 1 - HB 65 Hair Basket 1 - DKEY Lift Out Key	Satin Stainless Polished Stainless Oil Rubbed Bronze Satin Bronze Matte Black	LN5-2-SS LN5-2-PS LN5-2-ORB LN5-2-SB LN5-2-BK	1	\$135 \$195 \$195 \$195 \$195
			Hair Maintenance kit included Learn more on pages 191-192	
 (a) LNS 5 - Decorative Cover  (b) HB 65 - Hair Basket  (c) TL 52 - 2" Throat				

Description	Drain Body	Finish	Model	Lbs	List
T TRADITIONAL WATERPROOFING 5" x 5" LND 5 Kit with Drain Body 2" Outlet. Kit Includes: 1 - LNS 5 - 5" x 5" Stainless Steel Cover 1 - TL 52 - ABS 2" Throat 1 - HMK-C2-D Hair Maintenance Kit: 1 - HB 65 Hair Basket 1 - DKEY Lift Out Key 1 - CDI 22/CDIH 22/CDP 22/CDA 22 Drain Body	Cast Iron	Satin Stainless Polished Stainless Oil Rubbed Bronze Satin Bronze Matte Black	LN5-2I SS LN5-2I PS LN5-2I ORB LN5-2I SB LN5-2I BK	5	\$220 \$280 \$280 \$280 \$280
	Cast Iron (For Hot Mop)	Satin Stainless Polished Stainless Oil Rubbed Bronze Satin Bronze Matte Black	LN5-2H SS LN5-2H PS LN5-2H ORB LN5-2H SB LN5-2H BK	5	\$220 \$280 \$280 \$280 \$280
  (a) LNS 5 - Decorative Cover  (b) HB 65 - Hair Basket  (c) TL 52 - 2" Throat  (d) 2 inch Drain Body	ABS	Satin Stainless Polished Stainless Oil Rubbed Bronze Satin Bronze Matte Black	LN5-2A SS LN5-2A PS LN5-2A ORB LN5-2A SB LN5-2A BK	2	\$200 \$260 \$260 \$260 \$260
	PVC	Satin Stainless Polished Stainless Oil Rubbed Bronze Satin Bronze Matte Black	LN5-2P SS LN5-2P PS LN5-2P ORB LN5-2P SB LN5-2P BK	2	\$200 \$260 \$260 \$260 \$260

Description	Bonded Flange	Finish	Model	Lbs	List
L/F LIQUID/FABRIC WATERPROOFING 5" x 5" LND 5 Kit with Bonded Flange 2", 3", and 4" Outlet. Kit Includes: 1 - LNS 5 - 5" x 5" Stainless Steel Cover 1 - TL 52 - ABS 2" Throat 1 - HMK-C2-D Hair Maintenance Kit: 1 - HB 65 Hair Basket 1 - DKEY Lift Out Key 1 - BFP 22/ BFA 22/ BFS 22 Bonded Flange	PVC	Satin Stainless Polished Stainless Oil Rubbed Bronze Satin Bronze Matte Black	LN5 BP SS LN5 BP PS LN5 BP ORB LN5 BP SB LN5 BP BK	2	\$325 \$385 \$385 \$385 \$385
	ABS	Satin Stainless Polished Stainless Oil Rubbed Bronze Satin Bronze Matte Black	LN5 BA SS LN5 BA PS LN5 BA ORB LN5 BA SB LN5 BA BK	2	\$325 \$385 \$385 \$385 \$385
  (a) LNS 5 - Decorative Cover  (b) HB 65 - Hair Basket  (c) TL 52 - 2" Throat  (d) Bonded Flange	Stainless Steel	Satin Stainless Polished Stainless Oil Rubbed Bronze Satin Bronze Matte Black	LN5 BS SS LN5 BS PS LN5 BS ORB LN5 BS SB LN5 BS BK	4	\$425 \$485 \$485 \$485 \$485

*See page 189 for more information on flow rates. See page 150 for individual components. See pages 220-221 for shipping dimensions.



Beauty above
the surface
and smart solutions
below.

Finished Installation

Custom Solid Linear Drain Grate - Stainless Steel Shower Base

Stainless Steel Shower Base



Covers labor, removal, replacement and restoration.

Features

- Lifetime guarantee against waterproofing failure.
- 304L 16 Gauge Stainless Steel.
- Ability to install and flood test same day.
- Ensures exact wall-to-wall and flush against the wall installation.
- Available with curb or barrier free (curbless).
- Includes linear or center drain.
- Standard size: 30"x60", custom available (minimum qty 10).
- Drains are available in multiple styles and finishes.

The Install Process



1. Stainless Steel Shower Base – Arrives factory flood tested with a Lifetime Guarantee. The base is ready to install and features an integral drain, pre-sloped floor, and is coated with surface primer for tile installation.



2. Stainless Steel Shower Base With Framing – The base is adhered to the subfloor, leveled and attached to the plumbing. Framing is completed around the shower base or the shower base is placed into a preexisting framed space then secured directly to the framing.



3. Walls and Waterproofing – Appropriate backer board is mounted to the framing and seated on the flange of the shower base. Liquid or fabric waterproofing is applied over the backer board down to the shower base.



4. Finishing – Natural stone, glass, porcelain, or ceramic tile are applied to the walls and shower base.

BC-WS

Stainless Steel Shower Base Wedge Wire Center Drain

Specifications	
Shower Base Material:	16 Ga. 304L Stainless Steel
Decorative Cover Material:	316L Stainless Steel Wedge Wire
Flow Rate:	9 GPM

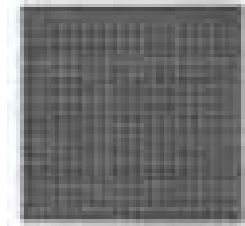
30"x60" one piece stainless steel shower base with integral drain in standard sizes or custom fabrication is available for job quantities. Shower floor sets shower framing for exact wall to wall installation.



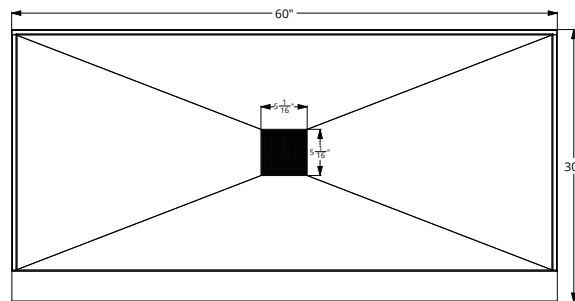
Lifetime Guarantee
Covers labor, removal, replacement and restoration.



See page 203-204 for warranty details.



Shower Base kit includes 5"x5" Wedge Wire decorative cover.



Designed for 1/2" backerboard with 1/2" tile and thinset.

Drain Location		Threshold	Model	Finish	List
5"x 5" Square Drain with Center Location		Curbed	BCC-3060WS-SS	Satin Stainless	\$3580
			BCC-3060WS-PS	Polished Stainless	\$3615
			BCC-3060WS-ORB	Oil Rubbed Bronze	\$3615
			BCC-3060WS-SB	Satin Bronze	\$3615
			BCC-3060WS-BK	Matte Black	\$3615
		Barrier Free	BCC-H-3060WS-SS	Satin Stainless	\$3580
			BCC-H-3060WS-PS	Polished Stainless	\$3615
			BCC-H-3060WS-ORB	Oil Rubbed Bronze	\$3615
			BCC-H-3060WS-SB	Satin Bronze	\$3615
			BCC-H-3060WS-BK	Matte Black	\$3615
5"x 5" Square Drain with Left Location		Curbed	BCL-3060WS-SS	Satin Stainless	\$3580
			BCL-3060WS-PS	Polished Stainless	\$3615
			BCL-3060WS-ORB	Oil Rubbed Bronze	\$3615
			BCL-3060WS-SB	Satin Bronze	\$3615
			BCL-3060WS-BK	Matte Black	\$3615
		Barrier Free	BCL-H-3060WS-SS	Satin Stainless	\$3580
			BCL-H-3060WS-PS	Polished Stainless	\$3615
			BCL-H-3060WS-ORB	Oil Rubbed Bronze	\$3615
			BCL-H-3060WS-SB	Satin Bronze	\$3615
			BCL-H-3060WS-BK	Matte Black	\$3615
5"x 5" Square Drain with Right Location		Curbed	BCR-3060WS-SS	Satin Stainless	\$3580
			BCR-3060WS-PS	Polished Stainless	\$3615
			BCR-3060WS-ORB	Oil Rubbed Bronze	\$3615
			BCR-3060WS-SB	Satin Bronze	\$3615
			BCR-3060WS-BK	Matte Black	\$3615
		Barrier Free	BCH-3060WS-SS	Satin Stainless	\$3580
			BCH-3060WS-PS	Polished Stainless	\$3615
			BCH-3060WS-ORB	Oil Rubbed Bronze	\$3615
			BCH-3060WS-SB	Satin Bronze	\$3615
			BCH-3060WS-BK	Matte Black	\$3615

*See page 169 for more information on flow rates. • See page 153 for individual components. • See pages 209-210 for shipping dimensions.

Specifications	
Shower Base Material:	16 Ga. 304L Stainless Steel
Tile Insert Material:	16 Ga. 304L Stainless Steel
Flow Rate:	9 GPM

BC-TI

Stainless Steel Shower Base

Tile Insert Center Drain

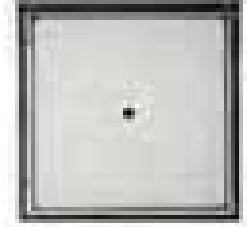
30"x60" one piece stainless steel shower base with integral drain in standard sizes or custom fabrication is available for job quantities. Shower floor sets shower framing for exact wall to wall installation.



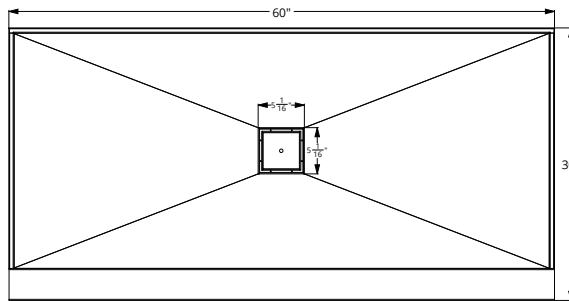
Lifetime Guarantee
Covers labor, removal, replacement and restoration.



See page 203-204 for warranty details.



Shower Base kit includes 5"x5" Tile Insert decorative cover.



Designed for 1/2" backerboard with 1/2" tile and thinsset.

Drain Location		Threshold	Model	Finish	List
5"x 5" Square Drain with Center Location		Curbed	BCC-3060TI-SS	Satin Stainless	\$3530
			BCC-3060TI-PS	Polished Stainless	\$3565
			BCC-3060TI-ORB	Oil Rubbed Bronze	\$3565
			BCC-3060TI-SB	Satin Bronze	\$3565
			BCC-3060TI-BK	Matte Black	\$3565
5"x 5" Square Drain with Left Location		Barrier Free	BCC-H-3060TI-SS	Satin Stainless	\$3530
			BCC-H-3060TI-PS	Polished Stainless	\$3565
			BCC-H-3060TI-ORB	Oil Rubbed Bronze	\$3565
			BCC-H-3060TI-SB	Satin Bronze	\$3565
			BCC-H-3060TI-BK	Matte Black	\$3565
5"x 5" Square Drain with Right Location		Curbed	BCL-3060TI-SS	Satin Stainless	\$3530
			BCL-3060TI-PS	Polished Stainless	\$3565
			BCL-3060TI-ORB	Oil Rubbed Bronze	\$3565
			BCL-3060TI-SB	Satin Bronze	\$3565
			BCL-3060TI-BK	Matte Black	\$3565
5"x 5" Square Drain with Left Location		Barrier Free	BCL-H-3060TI-SS	Satin Stainless	\$3530
			BCL-H-3060TI-PS	Polished Stainless	\$3565
			BCL-H-3060TI-ORB	Oil Rubbed Bronze	\$3565
			BCL-H-3060TI-SB	Satin Bronze	\$3565
			BCL-H-3060TI-BK	Matte Black	\$3565
5"x 5" Square Drain with Right Location		Curbed	BCR-3060TI-SS	Satin Stainless	\$3530
			BCR-3060TI-PS	Polished Stainless	\$3565
			BCR-3060TI-ORB	Oil Rubbed Bronze	\$3565
			BCR-3060TI-SB	Satin Bronze	\$3565
			BCR-3060TI-BK	Matte Black	\$3565
5"x 5" Square Drain with Right Location		Barrier Free	BCR-H-3060TI-SS	Satin Stainless	\$3530
			BCR-H-3060TI-PS	Polished Stainless	\$3565
			BCR-H-3060TI-ORB	Oil Rubbed Bronze	\$3565
			BCR-H-3060TI-SB	Satin Bronze	\$3565
			BCR-H-3060TI-BK	Matte Black	\$3565

* See page 169 for more information on flow rates. • See page 153 for individual components. • See pages 209-210 for shipping dimensions.

BC-QS

Stainless Steel Shower Base Squares Pattern Center Drain

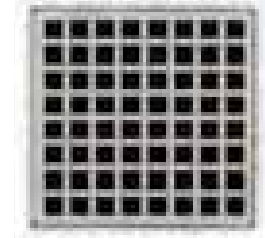
Specifications	
Shower Base Material:	16 Ga. 304L Stainless Steel
Decorative Cover Material:	7 Ga. 304 L Stainless Steel
Flow Rate:	9 GPM

30"x60" one piece stainless steel shower base with integral drain in standard sizes or custom fabrication is available for job quantities. Shower floor sets shower framing for exact wall to wall installation.

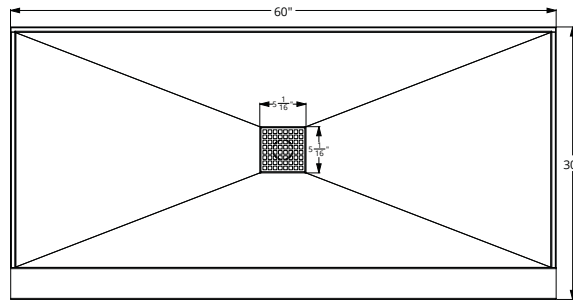


Lifetime Guarantee
Covers labor, removal, replacement and restoration.

See page 203-204 for warranty details.



Shower Base kit includes 5"x5" decorative cover with Squares pattern



Designed for 1/2" backerboard with 1/2" tile and thinset.

Drain Location		Threshold	Model	Finish	List
5"x 5" Square Drain with Center Location		Curbed	BCC-3060QS-SS	Satin Stainless	\$3495
			BCC-3060QS-PS	Polished Stainless	\$3530
			BCC-3060QS-ORB	Oil Rubbed Bronze	\$3530
			BCC-3060QS-SB	Satin Bronze	\$3530
			BCC-3060QS-BK	Matte Black	\$3530
		Barrier Free	BCC-H-3060QS-SS	Satin Stainless	\$3495
			BCC-H-3060QS-PS	Polished Stainless	\$3530
			BCC-H-3060QS-ORB	Oil Rubbed Bronze	\$3530
			BCC-H-3060QS-SB	Satin Bronze	\$3530
			BCC-H-3060QS-BK	Matte Black	\$3530
5"x 5" Square Drain with Left Location		Curbed	BCL-3060QS-SS	Satin Stainless	\$3495
			BCL-3060QS-PS	Polished Stainless	\$3530
			BCL-3060QS-ORB	Oil Rubbed Bronze	\$3530
			BCL-3060QS-SB	Satin Bronze	\$3530
			BCL-3060QS-BK	Matte Black	\$3530
		Barrier Free	BCL-H-3060QS-SS	Satin Stainless	\$3495
			BCL-H-3060QS-PS	Polished Stainless	\$3530
			BCL-H-3060QS-ORB	Oil Rubbed Bronze	\$3530
			BCL-H-3060QS-SB	Satin Bronze	\$3530
			BCL-H-3060QS-BK	Matte Black	\$3530
5"x 5" Square Drain with Right Location		Curbed	BCR-3060QS-SS	Satin Stainless	\$3495
			BCR-3060QS-PS	Polished Stainless	\$3530
			BCR-3060QS-ORB	Oil Rubbed Bronze	\$3530
			BCR-3060QS-SB	Satin Bronze	\$3530
			BCR-3060QS-BK	Matte Black	\$3530
		Barrier Free	BCR-H-3060QS-SS	Satin Stainless	\$3495
			BCR-H-3060QS-PS	Polished Stainless	\$3530
			BCR-H-3060QS-ORB	Oil Rubbed Bronze	\$3530
			BCR-H-3060QS-SB	Satin Bronze	\$3530
			BCR-H-3060QS-BK	Matte Black	\$3530

*See page 169 for more information on flow rates. • See page 153 for individual components. • See pages 209-210 for shipping dimensions.

Specifications	
Shower Base Material:	16 Ga. 304L Stainless Steel
Tile Insert Material:	7 Ga. 304 L Stainless Steel
Flow Rate:	9 GPM

BC-NS

Stainless Steel Shower Base Lines Pattern Center Drain

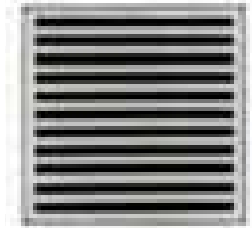
30"x60" one piece stainless steel shower base with integral drain in standard sizes or custom fabrication is available for job quantities. Shower floor sets shower framing for exact wall to wall installation.



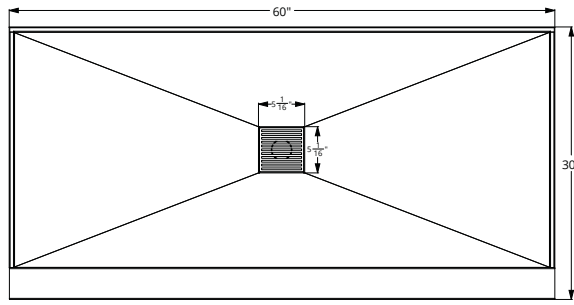
Lifetime Guarantee
Covers labor, removal, replacement
and restoration.



See page 203-204 for warranty details.



Shower Base kit includes 5"x5" decorative cover with Lines pattern



Designed for 1/2" backerboard with 1/2" tile and thinset.

Drain Location		Threshold	Model	Finish	List
5"x 5" Square Drain with Center Location		Curbed	BCC-3060NS-SS	Satin Stainless	\$3495
			BCC-3060NS-PS	Polished Stainless	\$3530
			BCC-3060NS-ORB	Oil Rubbed Bronze	\$3530
			BCC-3060NS-SB	Satin Bronze	\$3530
			BCC-3060NS-BK	Matte Black	\$3530
		Barrier Free	BCC-H-3060NS-SS	Satin Stainless	\$3495
			BCC-H-3060NS-PS	Polished Stainless	\$3530
			BCC-H-3060NS-ORB	Oil Rubbed Bronze	\$3530
			BCC-H-3060NS-SB	Satin Bronze	\$3530
			BCC-H-3060NS-BK	Matte Black	\$3530
5"x 5" Square Drain with Left Location		Curbed	BCL-3060NS-SS	Satin Stainless	\$3495
			BCL-3060NS-PS	Polished Stainless	\$3530
			BCL-3060NS-ORB	Oil Rubbed Bronze	\$3530
			BCL-3060NS-SB	Satin Bronze	\$3530
			BCL-3060NS-BK	Matte Black	\$3530
		Barrier Free	BCL-H-3060NS-SS	Satin Stainless	\$3495
			BCL-H-3060NS-PS	Polished Stainless	\$3530
			BCL-H-3060NS-ORB	Oil Rubbed Bronze	\$3530
			BCL-H-3060NS-SB	Satin Bronze	\$3530
			BCL-H-3060NS-BK	Matte Black	\$3530
5"x 5" Square Drain with Right Location		Curbed	BCR-3060NS-SS	Satin Stainless	\$3495
			BCR-3060NS-PS	Polished Stainless	\$3530
			BCR-3060NS-ORB	Oil Rubbed Bronze	\$3530
			BCR-3060NS-SB	Satin Bronze	\$3530
			BCR-3060NS-BK	Matte Black	\$3530
		Barrier Free	BCR-H-3060NS-SS	Satin Stainless	\$3495
			BCR-H-3060NS-PS	Polished Stainless	\$3530
			BCR-H-3060NS-ORB	Oil Rubbed Bronze	\$3530
			BCR-H-3060NS-SB	Satin Bronze	\$3530
			BCR-H-3060NS-BK	Matte Black	\$3530

*See page 169 for more information on flow rates. • See page 153 for individual components. • See pages 209-210 for shipping dimensions.

BL-AS

Stainless Steel Shower Base Wedge Wire Linear Drain

30"x60" one piece stainless steel shower base with integral drain in standard sizes or custom fabrication is available for job quantities. Shower floor sets shower framing for exact wall to wall installation.



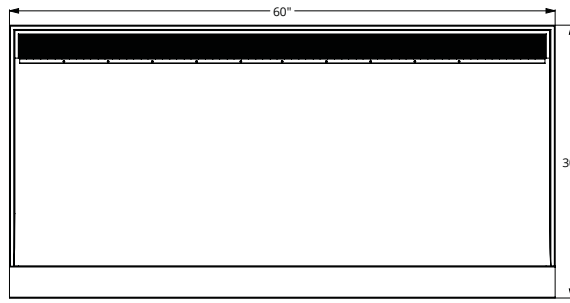
Lifetime Guarantee
Covers labor, removal, replacement
and restoration.



See page 203-204 for warranty details.



Shower Base kit includes
Wedge Wire linear grate



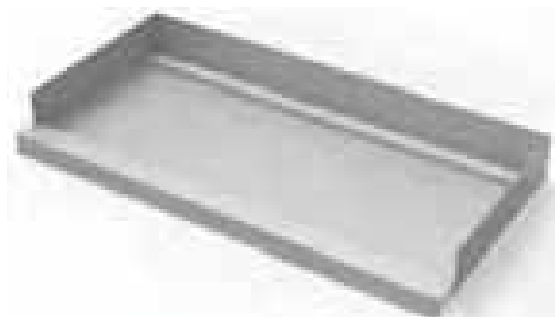
Designed for 1/2" backerboard with 1/2" tile and thinset.

Drain Location		Threshold	Model	Finish	List
Linear Drain with Back Wall Location		Curbed	BLC-3060AS-SS	Satin Stainless	\$3895
			BLC-3060AS-PS	Polished Stainless	\$4135
			BLC-3060AS-ORB	Oil Rubbed Bronze	\$4135
			BLC-3060AS-SB	Satin Bronze	\$4135
			BLC-3060AS-BK	Matte Black	\$4135
		Barrier Free	BLC-H-3060AS-SS	Satin Stainless	\$3895
			BLC-H-3060AS-PS	Polished Stainless	\$4135
			BLC-H-3060AS-ORB	Oil Rubbed Bronze	\$4135
			BLC-H-3060AS-SB	Satin Bronze	\$4135
			BLC-H-3060AS-BK	Matte Black	\$4135
Linear Drain with Left Wall Location		Curbed	BLL-3060AS-SS	Satin Stainless	\$3345
			BLL-3060AS-PS	Polished Stainless	\$3445
			BLL-3060AS-ORB	Oil Rubbed Bronze	\$3445
			BLL-3060AS-SB	Satin Bronze	\$3445
			BLL-3060AS-BK	Matte Black	\$3445
		Barrier Free	BLL-H-3060AS-SS	Satin Stainless	\$3345
			BLL-H-3060AS-PS	Polished Stainless	\$3445
			BLL-H-3060AS-ORB	Oil Rubbed Bronze	\$3445
			BLL-H-3060AS-SB	Satin Bronze	\$3445
			BLL-H-3060AS-BK	Matte Black	\$3445
Linear Drain with Right Wall Location		Curbed	BLR-3060AS-SS	Satin Stainless	\$3345
			BLR-3060AS-PS	Polished Stainless	\$3445
			BLR-3060AS-ORB	Oil Rubbed Bronze	\$3445
			BLR-3060AS-SB	Satin Bronze	\$3445
			BLR-3060AS-BK	Matte Black	\$3445
		Barrier Free	BLR-H-3060AS-SS	Satin Stainless	\$3345
			BLR-H-3060AS-PS	Polished Stainless	\$3445
			BLR-H-3060AS-ORB	Oil Rubbed Bronze	\$3445
			BLR-H-3060AS-SB	Satin Bronze	\$3445
			BLR-H-3060AS-BK	Matte Black	\$3445

*See page 169 for more information on flow rates. • See page 154 for individual components. • See pages 209-210 for shipping dimensions.

Stainless Steel Shower Base Tile Insert Linear Drain

30"x60" one piece stainless steel shower base with integral drain in standard sizes or custom fabrication is available for job quantities. Shower floor sets shower framing for exact wall to wall installation.



Lifetime Guarantee
Covers labor, removal, replacement
and restoration.

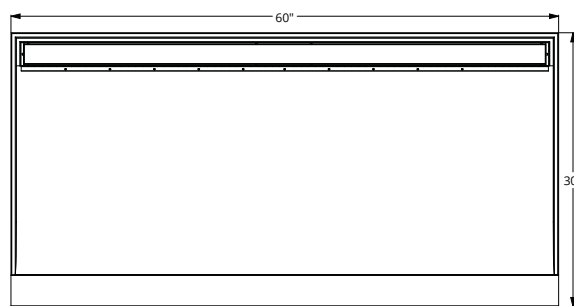


See page 203-204 for warranty details.



Tile not included
Open area for material (Depth 3/8")

Shower Base kit includes
Tile Insert frame



Designed for 1/2" backerboard with 1/2" tile and thinsset.

Drain Location		Threshold	Model	Finish	List
Linear Drain with Back Wall Location		Curbed	BLC-3060TI-SS	Satin Stainless	\$3515
			BLC-3060TI-PS	Polished Stainless	\$3610
			BLC-3060TI-ORB	Oil Rubbed Bronze	\$3610
			BLC-3060TI-SB	Satin Bronze	\$3610
			BLC-3060TI-BK	Matte Black	\$3610
Linear Drain with Back Wall Location		Barrier Free	BLC-H-3060TI-SS	Satin Stainless	\$3515
			BLC-H-3060TI-PS	Polished Stainless	\$3610
			BLC-H-3060TI-ORB	Oil Rubbed Bronze	\$3610
			BLC-H-3060TI-SB	Satin Bronze	\$3610
			BLC-H-3060TI-BK	Matte Black	\$3610
Linear Drain with Left Wall Location		Curbed	BLL-3060TI-SS	Satin Stainless	\$3170
			BLL-3060TI-PS	Polished Stainless	\$3210
			BLL-3060TI-ORB	Oil Rubbed Bronze	\$3210
			BLL-3060TI-SB	Satin Bronze	\$3210
			BLL-3060TI-BK	Matte Black	\$3210
Linear Drain with Left Wall Location		Barrier Free	BLL-H-3060TI-SS	Satin Stainless	\$3170
			BLL-H-3060TI-PS	Polished Stainless	\$3210
			BLL-H-3060TI-ORB	Oil Rubbed Bronze	\$3210
			BLL-H-3060TI-SB	Satin Bronze	\$3210
			BLL-H-3060TI-BK	Matte Black	\$3210
Linear Drain with Right Wall Location		Curbed	BLR-3060TI-SS	Satin Stainless	\$3170
			BLR-3060TI-PS	Polished Stainless	\$3210
			BLR-3060TI-ORB	Oil Rubbed Bronze	\$3210
			BLR-3060TI-SB	Satin Bronze	\$3210
			BLR-3060TI-BK	Matte Black	\$3210
Linear Drain with Right Wall Location		Barrier Free	BLR-H-3060TI-SS	Satin Stainless	\$3170
			BLR-H-3060TI-PS	Polished Stainless	\$3210
			BLR-H-3060TI-ORB	Oil Rubbed Bronze	\$3210
			BLR-H-3060TI-SB	Satin Bronze	\$3210
			BLR-H-3060TI-BK	Matte Black	\$3210

*See page 169 for more information on flow rates. • See page 154 for individual components. • See pages 209-210 for shipping dimensions.

BL-IG

Stainless Steel Shower Base Slotted Pattern Linear Drain

30"x60" one piece stainless steel shower base with integral drain in standard sizes or custom fabrication is available for job quantities. Shower floor sets shower framing for exact wall to wall installation.

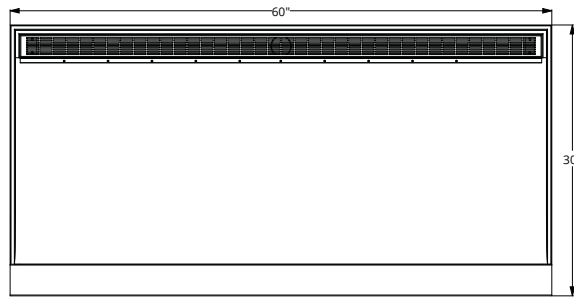


Lifetime Guarantee
Covers labor, removal, replacement
and restoration.

See page 203-204 for warranty details.



Shower Base kit includes
Slotted linear grate



Designed for 1/2" backerboard with 1/2" tile and thinset.

Drain Location		Threshold	Model	Finish	List
Linear Drain with Back Wall Location		Curbed	BLC-3060IG-SS	Satin Stainless	\$3205
			BLC-3060IG-PS	Polished Stainless	\$3420
			BLC-3060IG-ORB	Oil Rubbed Bronze	\$3420
			BLC-3060IG-SB	Satin Bronze	\$3420
			BLC-3060IG-BK	Matte Black	\$3420
		Barrier Free	BLC-H-3060IG-SS	Satin Stainless	\$3205
			BLC-H-3060IG-PS	Polished Stainless	\$3420
			BLC-H-3060IG-ORB	Oil Rubbed Bronze	\$3420
			BLC-H-3060IG-SB	Satin Bronze	\$3420
			BLC-H-3060IG-BK	Matte Black	\$3420
Linear Drain with Left Wall Location		Curbed	BLL-3060IG-SS	Satin Stainless	\$3035
			BLL-3060IG-PS	Polished Stainless	\$3125
			BLL-3060IG-ORB	Oil Rubbed Bronze	\$3125
			BLL-3060IG-SB	Satin Bronze	\$3125
			BLL-3060IG-BK	Matte Black	\$3125
		Barrier Free	BLL-H-3060IG-SS	Satin Stainless	\$3035
			BLL-H-3060IG-PS	Polished Stainless	\$3125
			BLL-H-3060IG-ORB	Oil Rubbed Bronze	\$3125
			BLL-H-3060IG-SB	Satin Bronze	\$3125
			BLL-H-3060IG-BK	Matte Black	\$3125
Linear Drain with Right Wall Location		Curbed	BLR-3060IG-SS	Satin Stainless	\$3035
			BLR-3060IG-PS	Polished Stainless	\$3125
			BLR-3060IG-ORB	Oil Rubbed Bronze	\$3125
			BLR-3060IG-SB	Satin Bronze	\$3125
			BLR-3060IG-BK	Matte Black	\$3125
		Barrier Free	BLR-H-3060IG-SS	Satin Stainless	\$3035
			BLR-H-3060IG-PS	Polished Stainless	\$3125
			BLR-H-3060IG-ORB	Oil Rubbed Bronze	\$3125
			BLR-H-3060IG-SB	Satin Bronze	\$3125
			BLR-H-3060IG-BK	Matte Black	\$3125

*See page 169 for more information on flow rates. • See page 154 for individual components. • See pages 209-210 for shipping dimensions.

ALL APPLICATIONS

Infinite Solutions

Infinity Drain linear drain systems are not just for showers. They are ideal for large scale installations like pools, balconies, driveways, decks, and even smaller applications like sinks and bar tops.



OUTDOOR

Site Sizable® Linear Drains

Site Sizable® drains offer a flexible, durable and sleek solution that is available right away. Stock linear drain components of any series can be joined together to build unlimited lengths. The channel components can be cut to any sizes needed and outlet locations can be placed anywhere along the channel run. Angle joiners also allow for the ability to create 90° turns along the linear run. For outdoor and/or pool applications (1) outlet for every 96" of drain is recommended. Channel trim (CT) is not recommended for lengths more than 96" or with drains that have configurations that include turns.

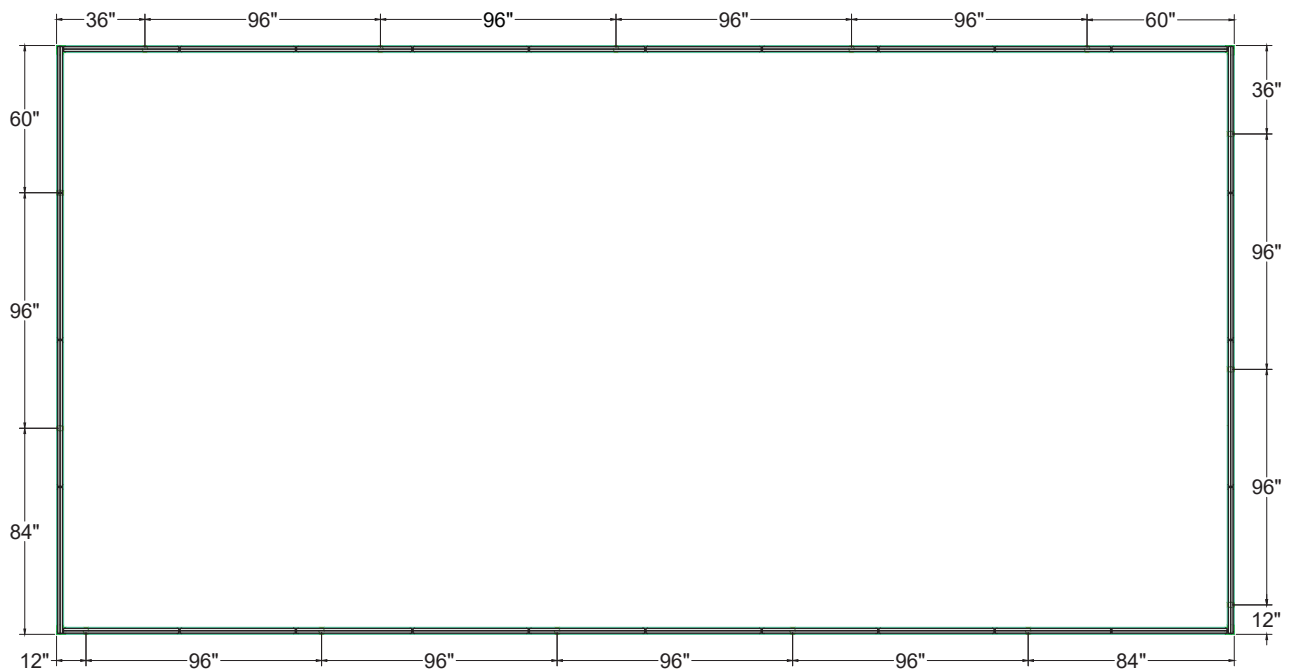
Recommended Models for general outdoor/pool applications include:
S-AG 38, S-AG 65, S-DG 38, S-DG 65 and S-TIF 65

Component List Example for 20'x 40' Pool Surround with S-TIF 65 SS:

- 8 - T 6560 SS 60" Tile Insert Frame Only
- 10 - T 6548 SS 48" Tile Insert Frame Only
- 36 - ET 65 SS End Cap for Tile Insert Frame
- 6 - ZSIKA M1 Sealant
- 12 - G 65108 108" PVC Channels
- 2 - G 6560 60" PVC Channels
- 2 - G 6536 36" PVC Channels
- 15 - S 65 PVC Outlet Sections
- 4 - GAM 65 PVC 90° Angle Joiners
- 12 - GJC 65 PVC Joiner Strips
- 15 - S 50 PVC Threaded Outlets



- TA 65 Tile Insert Frame
- G 65 PVC Channel
- GAM 65 90° Angle Joiner
- S 65 PVC Outlet Section



OUTDOOR

Site Sizable® Linear Drains



Recommended Models for driveways with light cars:
S-AG 38 and S-AG 65

Component List Example 15' driveway drain with
S-AG 65 SS

- 4 - A 6548 SS 3mm Wedge Wire Grates
- 1 - G 65108 108" PVC Channel
- 1 - G 6580 80" PVC Channel
- 2 - S 65 PVC Outlet Section
- 2 - F 65 PVC Non Threaded Outlet
- 1 - GJC 65 PVC Joiner Strip
- 2 - E 65 PVC Stop Ends

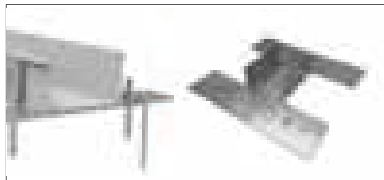
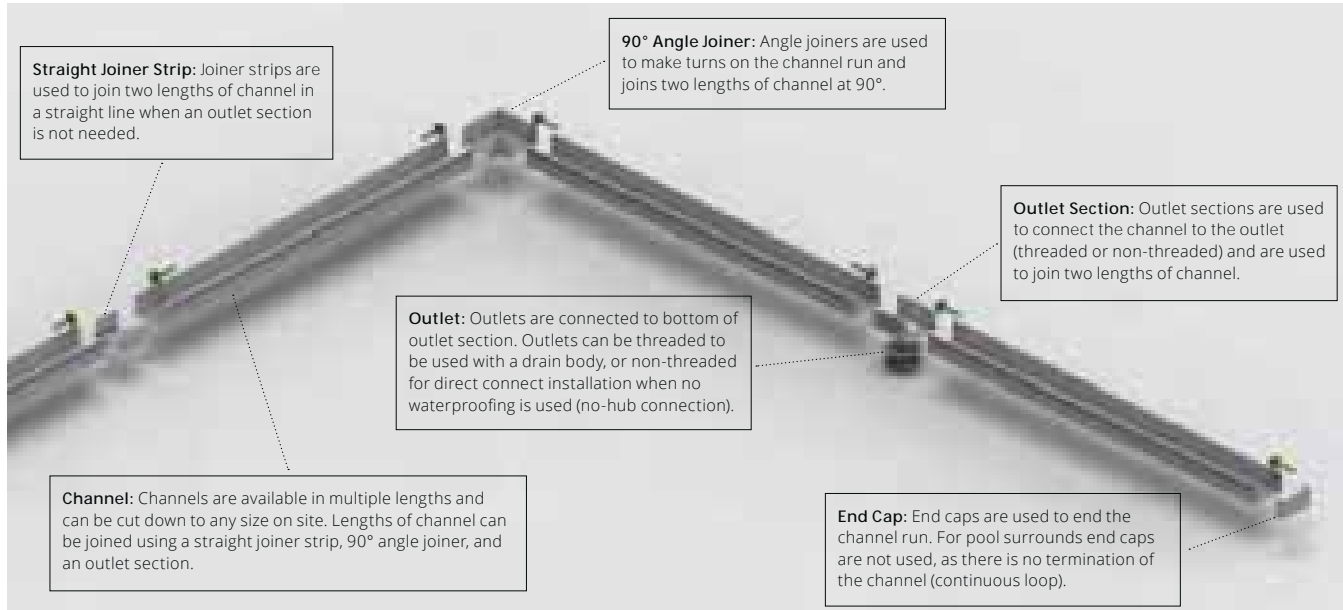


Wedge Wire: S-AG 38

OUTDOOR

Site Sizable® Linear Drains

Site Sizable® linear drain components fit together by sliding the components together and are secured using clear PVC primer and cement. Channel trim (CT) is not recommended for lengths more than 96" or with drains that have configurations that include turns.



Outdoor anchors are optional and are used to secure Site Sizable PVC channels to a surface. The anchors allow for height adjustment. Set screws on the anchor hold the channel in place. Be sure not to overtighten set screws to avoid channel flexing. Concrete and wood screws are included.



Wedge Wire: S-AG 65

OUTDOOR

Site Sizable® Linear Drains

Prices shown below are for budgetary purposes only.
Contact us at quotes@infinitydrain.com for part configuration and project pricing.



S-AG 38
Site Sizable® PVC Channel
3mm Wedge Wire Stainless Steel Grate

List Price for longer lengths		
Grate and Channel price per foot	SS	\$215
	PS	\$265
	ORB	\$265
	SB	\$265
	BK	\$265
Each Outlet (outlet parts and hair basket)		\$25
Each End Cap		\$5
Each 90° joiner for channel		\$25
Each outdoor anchor		\$75

See page 127 for individual component pricing.



S-AG 65
Site Sizable® PVC Channel
3mm Wedge Wire Stainless Steel Grate

List Price for longer lengths		
Grate and Channel price per foot	SS	\$270
	PS	\$320
	ORB	\$320
	SB	\$320
	BK	\$320
Each Outlet (outlet parts and hair basket)		\$25
Each End Cap		\$5
Each 90° joiner for channel		\$25
Each outdoor anchor		\$75

See page 131 for individual component pricing.



S-DG 38
Site Sizable® PVC Channel
Circle Stainless Steel Grate

List Price for longer lengths		
Grate and Channel price per foot	SS	\$90
	PS	\$135
	ORB	\$135
	SB	\$135
	BK	\$135
Each Outlet (outlet parts and hair basket)		\$25
Each End Cap		\$5
Each 90° joiner for channel		\$25
Each outdoor anchor		\$75

See page 127 for individual component pricing.



S-DG 65
Site Sizable® PVC Channel
Circle Stainless Steel Grate

List Price for longer lengths		
Grate and Channel price per foot	SS	\$90
	PS	\$135
	ORB	\$135
	SB	\$135
	BK	\$135
Each Outlet (outlet parts and hair basket)		\$25
Each End Cap		\$5
Each 90° joiner for channel		\$25
Each outdoor anchor		\$75

See page 131 for individual component pricing.



S-TIF 65
Site Sizable® PVC Channel
Tile Insert Frame Stainless Steel Grate

List Price for longer lengths		
Grate and Channel price per foot	SS	\$220
	PS	\$245
	ORB	\$245
	SB	\$245
	BK	\$245
Each Outlet (outlet parts and hair basket)		\$25
Each End Cap		\$5
Each 90° joiner for channel		\$25
Each outdoor anchor		\$75

See page 131 for individual component pricing.

OUTDOOR

Custom Linear Drain

Custom Fixed Flange drains are provided with a 1" flange on all sides and can be custom fabricated to the exact length needed and the outlet location placed wherever is specified. For applications with extensive lengths where liquid applied (cold fluid applied) waterproofing is used including balconies, patios, roofs and more.

See pages 121-125 for custom pricing and page 117 for a custom order form.



Custom Wedge Wire



Custom Slot Drain

OUTDOOR

Custom Linear Drains



Custom Wedge Wire



Custom Curved Tile Insert



Custom Tile Insert Frame

LAVATORY/SINK

Fixed Flange drains may be made to short lengths for use as sink drains with outlets smaller than the traditional 2" diameter, including 1 1/2" or 1 1/4" with no-hub or slip fit connections. The channel would be undermounted to the counter/sink top using an epoxy or water resistant adhesive. See Page 119 for a custom form.



SPA & LOCKER ROOM SHOWERS

Spa drains offer an elegant look to compliment the most relaxing enviroments. These drains can be made for use with modern or traditional waterproofing. Extended lengths are available as stock items using our Site Sizable® (see pages 97-100) or as custom fabrication (see page 108).

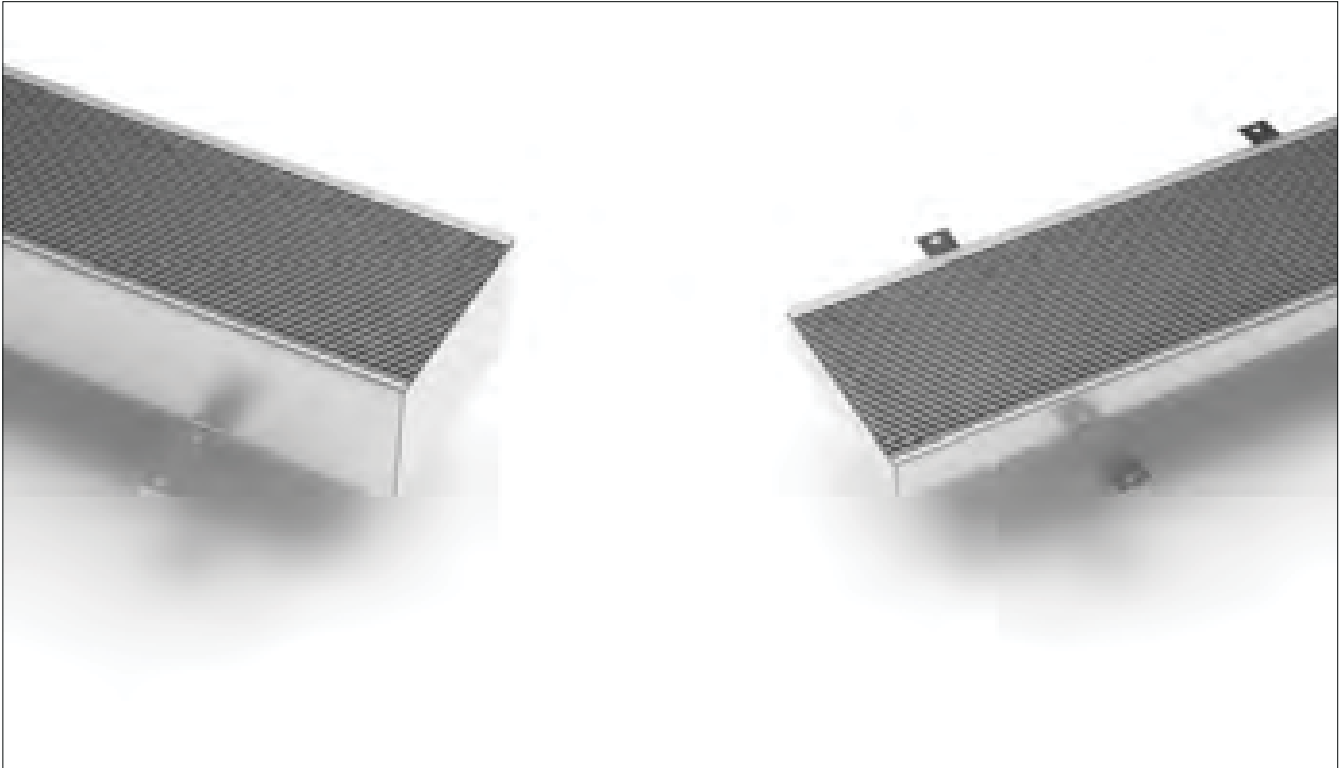


Locker Room/Fitness linear drains provide a sleek and functional option for showers that are designed in close proximity. One drain across multiple showers or a trench drain along a corridor of showers will remove water effectively and efficiently.



ELEVATOR DRAIN

Linear drains for elevators with premium wedge wire grates. Custom fabricated to exact specifications with finish options (see page 108 for custom information).



Infinity Drain elevator drains are constructed of 16 gauge 304L ASTM A240 stainless steel with a 4" no hub outlet. The elevator drain system has been designed to comply with ASME code (ASME A17.1-2016/CSA B44-16) and SFFC (Section 511.1) for the increased flow rate of 100 GPM.



HEALTHCARE

This innovative drainage product allows the use of a linear drain in a vinyl or safety floor environment. It is particularly well adapted for applications in hospitals, commercial kitchens and schools. The vinyl clamp features a stainless steel channel in which a decoratively finished flange mechanically clamps the vinyl in place. All 65 and 125 Series grate styles are available to be made with this option (see page 108 for custom information).



THRESHOLD

FOLDING/SLIDING DOOR SYSTEMS

For use with sliding or folding glass walls or doors, a custom threshold drain can be used to provide a level entrance. The narrow profile minimizes impact on design, allowing seamless integration between internal and external areas; perfect for creating seamlessly combined indoor/outdoor spaces. Water runoff from the door system is efficiently captured and evacuated through the drain that encapsulates the door track (see page 108 for custom information).



If you can imagine it, we can manufacture it. Infinity Drain® offers a variety of customized drainage solutions to your exact specification. Customize length, outlets, configuration, styles, and finishes. Please call or email quotes@infinitydrain.com for pricing and availability.

Customization Options

- Installation types: Fixed (FX), Fixed Flange (FF), Flanged with Schluter®- Kerdi (FCS), Double Waterproofing (FCB), and Side Outlet (FT)
- Length of linear drain systems up to 300"
- Outlet placement
- Multiple outlets
- Shapes and configurations

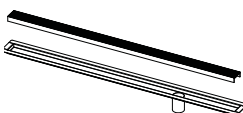
Custom Fabrication Information

- Linear grates will be made 1/8" shorter than specified custom length to allow for removal
- FX Series custom length is based on the entire grate and channel assembly
- FF, FCB, FCS and FT Series custom length is based on inside channel dimension
- 1/8" tolerance on custom fabricated products
- Completed custom form must accompany purchase order from an authorized dealer
- Next Day Custom options available

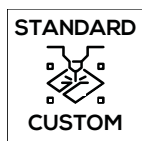
Custom Programs



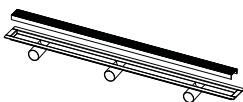
NEW Next Day Custom



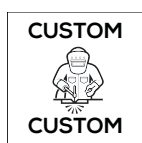
- Purchase orders and sign offs received by 10am ET will ship the following day
- List Pricing **pages 113-114**
- Completed custom form must accompany purchase order (**see page 112 for custom form**)
- Straight configuration and custom lengths up to 96"
- Grate Styles: Wedge Wire, Offset Slotted, Tile Insert Frame
- Installation types: Fixed (FX), Fixed Flange (FF), Flanged with Schluter®- Kerdi (FCS), and Double Waterproofing (FCB)
- Custom outlet placement for multiple outlets
- Finishes: Satin Stainless, Polished Stainless, Oil Rubbed Bronze, Satin Bronze and Matte Black



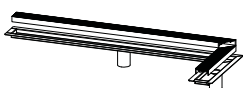
Standard Custom



- Purchase orders and sign offs received by 10am ET will ship within 15 business days
- **NEW** List Pricing **pages 121-125**
- Completed custom form must accompany purchase order (**see pages 115-120 for custom forms**)
- Straight configuration and custom lengths up to 96"
- Any standard grate style options
- Installation types: Fixed (FX), Fixed Flange (FF), Flanged with Schluter®- Kerdi (FCS), and Double Waterproofing (FCB), Tapered Threaded (FCH), Side Outlet (FT), Side Outlet with Schluter®- Kerdi (FTS), and Side Outlet Tapered Threaded (OCH)
- Custom outlet placement for multiple outlets
- Finishes: Satin Stainless, Polished Stainless, Oil Rubbed Bronze, Satin Bronze and Matte Black



Custom-Custom



- Specialty installation options (Sink drain, Elevator drain, Threshold drain, Vinyl Clamp drain, etc.)
- Any shape and configuration
- Any installation type
- Any outlet type
- Any finish. Standard finishes and color match finish options available.
- Length up to 300"
- **For quotation, lead time, and drawings contact us at quotes@infinitydrain.com**

CUSTOM Fabrication



Custom curved drain



Mitered 90°



Custom patterns



Custom applications (radiator grill shown)



Custom designs



Custom sizes

Custom Finishes



Custom colors (Polished gold shown)



Custom colors (Royal Blue shown)



Color match

CUSTOM Fabrication



NEW Next Day Custom



A PERFECT DRAIN IN A NOT-SO-PERFECT WORLD

Next Day Custom Linear Drains are available in lengths up to 96" in five finishes, three grate styles and for all installation waterproofing methods.

- **Purchase orders and sign offs received by 10am ET will ship the following day with no additional upcharge**
- Available on linear drains up to 96" in length
- Custom outlet placement or multiple outlets along channel run
- **Finishes: Satin Stainless, Polished Stainless, Oil Rubbed Bronze, Satin Bronze and Matte Black**
- **Grate Styles: Wedge Wire, Offset Slotted, Tile Insert Frame**
- **Installation Types: FX Series, FF Series, FCB Series, FCS Series**
- **Limit 1 item (complete kit – channel and grate) per purchase order number**



Next Day Custom Custom Form

ORDERS AND SIGN OFF IN BY 10 AM ET, SHIP NEXT DAY

1. Choose Grate Style & Finish (Lengths longer than 72" are fabricated in multiple pieces)

<input type="checkbox"/> 2 MM WEDGE WIRE	<input type="checkbox"/> OFFSET SLOTTED	<input type="checkbox"/> TILE INSERT FRAME	<input type="checkbox"/> TILE INSERT FRAME	<input type="checkbox"/> NO GRATE (CHANNEL ONLY)

2. Choose Channel

*FX installation requires the selection of a finish, even if ordering the channel only.

<input type="checkbox"/> [FF] Fixed Flange 2" No Hub Outlet	<input type="checkbox"/> [FCS] Flange with Kerdi Factory applied KERDI - 2" No Hub Outlet	<input type="checkbox"/> [FCB] Double Waterproofing 2" Threaded Outlet **	<input type="checkbox"/> [FX] Fixed Length* 2" Threaded Outlet **

**Clamp down drain not included

3. Choose Finish

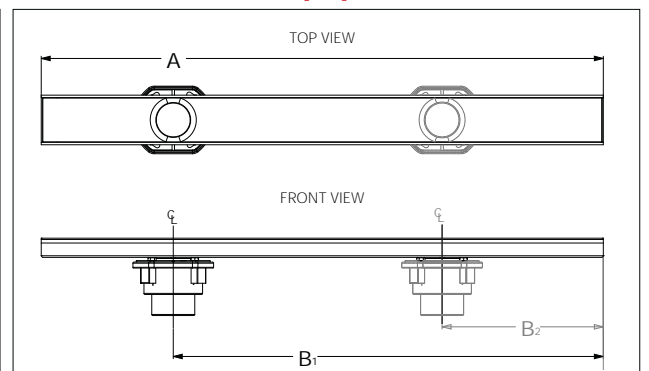
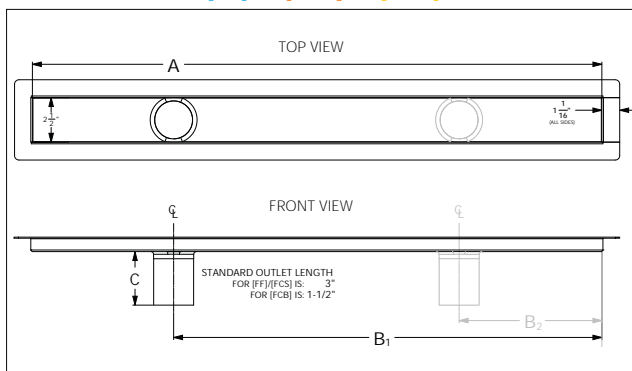
<input type="checkbox"/> SATIN STAINLESS	<input type="checkbox"/> POLISHED STAINLESS	<input type="checkbox"/> OIL RUBBED BRONZE	<input type="checkbox"/> SATIN BRONZE	<input type="checkbox"/> MATTE BLACK
--	---	--	---------------------------------------	--------------------------------------

4. Choose Length & Outlet Location(s) - (Up to 96" length)

A: Overall Inside Length (FF, FCB, FCS) A: Overall Length (FX)	B1: Outlet Location 1	B2: Outlet Location 2
		FOR ADDITIONAL OUTLET IF NEEDED

[FF] • [FCS] • [FCB]

[FX]



5. Choose Shipping Method

<input type="checkbox"/> Ground	<input type="checkbox"/> Standard Overnight	<input type="checkbox"/> Priority Overnight (AM Delivery)
---------------------------------	---	---

6. Sign & Reference

By signing this form, you are agreeing to the terms and conditions herein. All details and finished stated are correct. All dimensions are correct and are to be held within a tolerance of +/- 1/16". All other details and dimensions that are specified as "standard" are subject to manufacturer's tolerance and change without notice. We can assume no responsibility for use of superceded or void data. All custom orders are non-cancellable, non-returnable and non-refundable.

Infinity Drain
145 Dixon Avenue
Arbonyville, NY 11701
Phone: 516.767.6786
Fax: 516.740.3066
www.Infinitydrain.com



APPROVAL	NAME 	PO #/REFERENCE
	SIGNATURE 	DATE

ONE DRAIN PER PURCHASE ORDER.

NEW Next Day Custom



SA 65 Wedge Wire



0-36" Model	List	37-48" Model	List	49-60" Model	List	61-72" Model	List	73-84" Model	List	85-96" Model	List
SA 65C 0-36 SS	\$1290	SA 65C 37-48 SS	\$1715	SA 65C 49-60 SS	\$2145	SA 65C 61-72 SS	\$2575	SA 65C 73-84 SS	\$3005	SA 65C 85-96 SS	\$3430
SA 65C 0-36 PS	\$1550	SA 65C 37-48 PS	\$2065	SA 65C 49-60 PS	\$2585	SA 65C 61-72 PS	\$3100	SA 65C 73-84 PS	\$3615	SA 65C 85-96 PS	\$4130
SA 65C 0-36 ORB	\$1550	SA 65C 37-48 ORB	\$2065	SA 65C 49-60 ORB	\$2585	SA 65C 61-72 ORB	\$3100	SA 65C 73-84 ORB	\$3615	SA 65C 85-96 ORB	\$4130
SA 65C 0-36 SB	\$1550	SA 65C 37-48 SB	\$2065	SA 65C 49-60 SB	\$2585	SA 65C 61-72 SB	\$3100	SA 65C 73-84 SB	\$3615	SA 65C 85-96 SB	\$4130
SA 65C 0-36 BK	\$1550	SA 65C 37-48 BK	\$2065	SA 65C 49-60 BK	\$2585	SA 65C 61-72 BK	\$3100	SA 65C 73-84 BK	\$3615	SA 65C 85-96 BK	\$4130
For custom length from 0" to 36-15/16"		For custom length from 37" to 48-15/16"		For custom length from 49" to 60-15/16"		For custom length from 61" to 72-15/16"		For custom length from 73" to 84-15/16"		For custom length from 85" to 96-15/16"	

KA 65 Offset Slotted



0-36" Model	List	37-48" Model	List	49-60" Model	List	61-72" Model	List	73-84" Model	List	85-96" Model	List
KA 65C 0-36 SS	\$345	KA 65C 37-48 SS	\$455	KA 65C 49-60 SS	\$570	KA 65C 61-72 SS	\$685	KA 65C 73-84 SS	\$800	KA 65C 85-96 SS	\$910
KA 65C 0-36 PS	\$580	KA 65C 37-48 PS	\$770	KA 65C 49-60 PS	\$965	KA 65C 61-72 PS	\$1155	KA 65C 73-84 PS	\$1350	KA 65C 85-96 PS	\$1540
KA 65C 0-36 ORB	\$580	KA 65C 37-48 ORB	\$770	KA 65C 49-60 ORB	\$965	KA 65C 61-72 ORB	\$1155	KA 65C 73-84 ORB	\$1350	KA 65C 85-96 ORB	\$1540
KA 65C 0-36 SB	\$580	KA 65C 37-48 SB	\$770	KA 65C 49-60 SB	\$965	KA 65C 61-72 SB	\$1155	KA 65C 73-84 SB	\$1350	KA 65C 85-96 SB	\$1540
KA 65C 0-36 BK	\$580	KA 65C 37-48 BK	\$770	KA 65C 49-60 BK	\$965	KA 65C 61-72 BK	\$1155	KA 65C 73-84 BK	\$1350	KA 65C 85-96 BK	\$1540
For custom length from 0" to 36-15/16"		For custom length from 37" to 48-15/16"		For custom length from 49" to 60-15/16"		For custom length from 61" to 72-15/16"		For custom length from 73" to 84-15/16"		For custom length from 85" to 96-15/16"	

RA 65 Tile Insert



3/8" Depth for Tile

0-36" Model	List	37-48" Model	List	49-60" Model	List	61-72" Model	List	73-84" Model	List	85-96" Model	List
RA 65C 0-36 SS	\$1080	RA 65C 37-48 SS	\$1435	RA 65C 49-60 SS	\$1795	RA 65C 61-72 SS	\$2155	RA 65C 73-84 SS	\$2515	RA 65C 85-96 SS	\$2870
RA 65C 0-36 PS	\$1210	RA 65C 37-48 PS	\$1610	RA 65C 49-60 PS	\$2015	RA 65C 61-72 PS	\$2415	RA 65C 73-84 PS	\$2820	RA 65C 85-96 PS	\$3220
RA 65C 0-36 ORB	\$1210	RA 65C 37-48 ORB	\$1610	RA 65C 49-60 ORB	\$2015	RA 65C 61-72 ORB	\$2415	RA 65C 73-84 ORB	\$2820	RA 65C 85-96 ORB	\$3220
RA 65C 0-36 SB	\$1210	RA 65C 37-48 SB	\$1610	RA 65C 49-60 SB	\$2015	RA 65C 61-72 SB	\$2415	RA 65C 73-84 SB	\$2820	RA 65C 85-96 SB	\$3220
RA 65C 0-36 BK	\$1210	RA 65C 37-48 BK	\$1610	RA 65C 49-60 BK	\$2015	RA 65C 61-72 BK	\$2415	RA 65C 73-84 BK	\$2820	RA 65C 85-96 BK	\$3220
For custom length from 0" to 36-15/16"		For custom length from 37" to 48-15/16"		For custom length from 49" to 60-15/16"		For custom length from 61" to 72-15/16"		For custom length from 73" to 84-15/16"		For custom length from 85" to 96-15/16"	

TA 65 Tile Insert



3/4" Depth for Tile

0-36" Model	List	37-48" Model	List	49-60" Model	List	61-72" Model	List	73-84" Model	List	85-96" Model	List
TA 65C 0-36 SS	\$1080	TA 65C 37-48 SS	\$1435	TA 65C 49-60 SS	\$1795	TA 65C 61-72 SS	\$2155	TA 65C 73-84 SS	\$2515	TA 65C 85-96 SS	\$2870
TA 65C 0-36 PS	\$1210	TA 65C 37-48 PS	\$1610	TA 65C 49-60 PS	\$2015	TA 65C 61-72 PS	\$2415	TA 65C 73-84 PS	\$2820	TA 65C 85-96 PS	\$3220
TA 65C 0-36 ORB	\$1210	TA 65C 37-48 ORB	\$1610	TA 65C 49-60 ORB	\$2015	TA 65C 61-72 ORB	\$2415	TA 65C 73-84 ORB	\$2820	TA 65C 85-96 ORB	\$3220
TA 65C 0-36 SB	\$1210	TA 65C 37-48 SB	\$1610	TA 65C 49-60 SB	\$2015	TA 65C 61-72 SB	\$2415	TA 65C 73-84 SB	\$2820	TA 65C 85-96 SB	\$3220
TA 65C 0-36 BK	\$1210	TA 65C 37-48 BK	\$1610	TA 65C 49-60 BK	\$2015	TA 65C 61-72 BK	\$2415	TA 65C 73-84 BK	\$2820	TA 65C 85-96 BK	\$3220
For custom length from 0" to 36-15/16"		For custom length from 37" to 48-15/16"		For custom length from 49" to 60-15/16"		For custom length from 61" to 72-15/16"		For custom length from 73" to 84-15/16"		For custom length from 85" to 96-15/16"	



[FF]

Fixed Flanged Channel



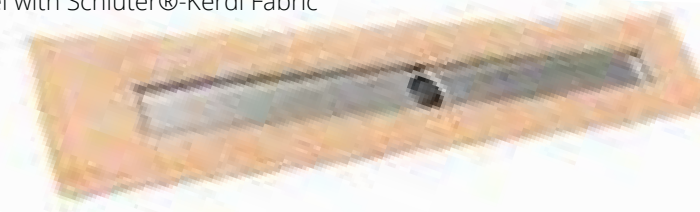
Waterproofing:

- Liquid Membrane
- Fabric Sheet

0-36" Model	List	37-48" Model	List	49-60" Model	List	61-72" Model	List	73-84" Model	List	85-96" Model	List
FC 65C 0-36 SS	\$630	FC 65C 37-48 SS	\$840	FC 65C 49-60 SS	\$1050	FC 65C 61-72 SS	\$1260	FC 65C 73-84 SS	\$1470	FC 65C 85-96 SS	\$1680
For custom length from 0" to 36-15/16"		For custom length from 37" to 48-15/16"		For custom length from 49" to 60-15/16"		For custom length from 61" to 72-15/16"		For custom length from 73" to 84-15/16"		For custom length from 85" to 96-15/16"	

[FCS]

Fixed Flanged Channel with Schluter®-Kerdi Fabric



Waterproofing:

- Schluter®-Kerdi Fabric

0-36" Model	List	37-48" Model	List	49-60" Model	List	61-72" Model	List	73-84" Model	List	85-96" Model	List
FCS 65C 0-36 SS	\$975	FCS 65C 37-48 SS	\$1295	FCS 65C 49-60 SS	\$1620	FCS 65C 61-72 SS	\$1945	FCS 65C 73-84 SS	\$2270	FCS 65C 85-96 SS	\$2590
For custom length from 0" to 36-15/16"		For custom length from 37" to 48-15/16"		For custom length from 49" to 60-15/16"		For custom length from 61" to 72-15/16"		For custom length from 73" to 84-15/16"		For custom length from 85" to 96-15/16"	

[FX]

Fixed Length



Waterproofing via clamping floor drain:

- ° Copper Pan
- ° Hot Mop
- ° PVC Liner
- ° Fiberglass
- ° Lead Pan
- ° Rubber Liner

0-36" Model	List	37-48" Model	List	49-60" Model	List	61-72" Model	List	73-84" Model	List	85-96" Model	List
XC 65C 0-36 SS	\$500	XC 65C 37-48 SS	\$665	XC 65C 49-60 SS	\$835	XC 65C 61-72 SS	\$1000	XC 65C 73-84 SS	\$1165	XC 65C 85-96 SS	\$1330
XC 65C 0-36 PS	\$580	XC 65C 37-48 PS	\$770	XC 65C 49-60 PS	\$965	XC 65C 61-72 PS	\$1155	XC 65C 73-84 PS	\$1350	XC 65C 85-96 PS	\$1540
XC 65C 0-36 ORB	\$580	XC 65C 37-48 ORB	\$770	XC 65C 49-60 ORB	\$965	XC 65C 61-72 ORB	\$1155	XC 65C 73-84 ORB	\$1350	XC 65C 85-96 ORB	\$1540
XC 65C 0-36 SB	\$580	XC 65C 37-48 SB	\$770	XC 65C 49-60 SB	\$965	XC 65C 61-72 SB	\$1155	XC 65C 73-84 SB	\$1350	XC 65C 85-96 SB	\$1540
XC 65C 0-36 BK	\$580	XC 65C 37-48 BK	\$770	XC 65C 49-60 BK	\$965	XC 65C 61-72 BK	\$1155	XC 65C 73-84 BK	\$1350	XC 65C 85-96 BK	\$1540
For custom length from 0" to 36-15/16"		For custom length from 37" to 48-15/16"		For custom length from 49" to 60-15/16"		For custom length from 61" to 72-15/16"		For custom length from 73" to 84-15/16"		For custom length from 85" to 96-15/16"	

[FCB]

Double Waterproofing



Double Waterproofing via clamping floor drain:

- ° Copper Pan
- ° Hot Mop
- ° PVC Liner
- ° Fiberglass
- ° Lead Pan
- ° Rubber Liner

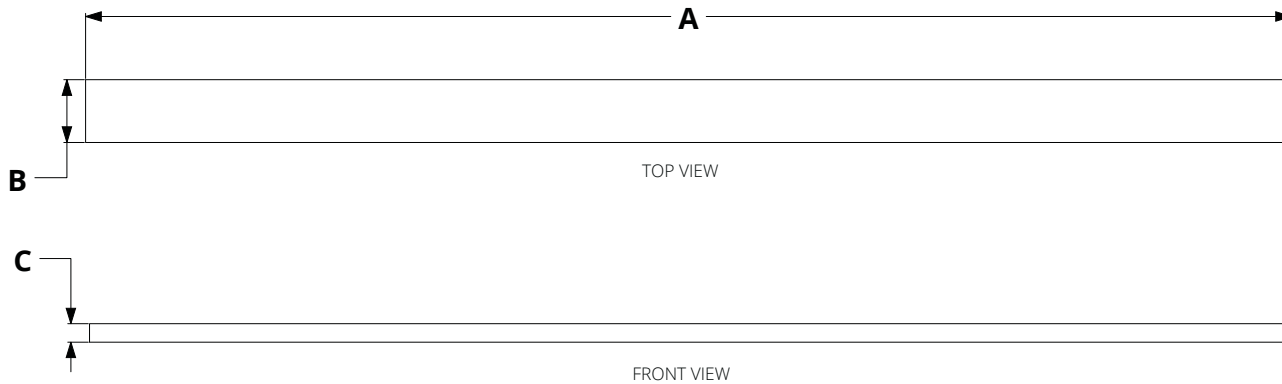
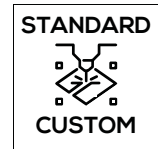
AND

- ° Liquid Membrane
- ° Fabric Sheet

0-36" Model	List	37-48" Model	List	49-60" Model	List	61-72" Model	List	73-84" Model	List	85-96" Model	List
FCB 65C 0-36 SS	\$630	FCB 65C 37-48 SS	\$840	FCB 65C 49-60 SS	\$1050	FCB 65C 61-72 SS	\$1260	FCB 65C 73-84 SS	\$1470	FCB 65C 85-96 SS	\$1680
For custom length from 0" to 36-15/16"		For custom length from 37" to 48-15/16"		For custom length from 49" to 60-15/16"		For custom length from 61" to 72-15/16"		For custom length from 73" to 84-15/16"		For custom length from 85" to 96-15/16"	

Custom Grate

Standard Custom Grate Form



A: Overall Length	B: Overall Width (if not standard)	C: Overall Height (if not standard)
<input type="checkbox"/>	<input type="checkbox"/>	<input type="checkbox"/>

Grate Styles - Choose (1) Below			
<input type="checkbox"/> SA 25 2MM WEDGE WIRE WIDTH: 1" HEIGHT: 1"	<input type="checkbox"/> A 38 3MM WEDGE WIRE WIDTH: 1 1/2" HEIGHT: 1 1/2"	<input type="checkbox"/> LA 65 LOW TILE INSERT WIDTH: 2 1/2" HEIGHT: 1" 16 Gauge <small>STANDARD INSERT DEPTH ACCEPTS UP TO 3/8" MATERIAL</small>	<input type="checkbox"/> D 38 CIRCLE PATTERN WIDTH: 1 1/2" HEIGHT: 1 1/2" 16 Gauge
<input type="checkbox"/> SA 38 2MM WEDGE WIRE WIDTH: 1 1/2" HEIGHT: 1"	<input type="checkbox"/> A 65 3MM WEDGE WIRE WIDTH: 2 1/2" HEIGHT: 1 1/2"	<input type="checkbox"/> TA 65 TILE INSERT WIDTH: 2 1/2" HEIGHT: 1 1/2" 12 Gauge <small>STANDARD INSERT DEPTH ACCEPTS UP TO 3/4" MATERIAL</small>	<input type="checkbox"/> D 65 CIRCLE PATTERN WIDTH: 2 1/2" HEIGHT: 1 1/2" 16 Gauge
<input type="checkbox"/> WA 65 2MM WEDGE WIRE WIDTH: 2 1/2" HEIGHT: 3/4"	<input type="checkbox"/> A 100 2MM WEDGE WIRE WIDTH: 3 7/8" HEIGHT: 3/4"	<input type="checkbox"/> RA 65 LOW TILE INSERT WIDTH: 2 1/2" HEIGHT: 1" 12 Gauge <small>STANDARD INSERT DEPTH ACCEPTS UP TO 3/8" MATERIAL</small>	<input type="checkbox"/> PA 65 CIRCLE PATTERN WIDTH: 2 1/2" HEIGHT: 3/4" 16 Gauge
<input type="checkbox"/> SA 65 2MM WEDGE WIRE WIDTH: 2 1/2" HEIGHT: 1"	<input type="checkbox"/> UA 65 SLOTTED PATTERN WIDTH: 2 1/2" HEIGHT: 3/4"	<input type="checkbox"/> EA 65 OFFSET OVAL PATTERN WIDTH: 2 1/2" HEIGHT: 3/4" 16 Gauge	<input type="checkbox"/> MA 65 MARC NEWSON PATTERN WIDTH: 2 1/2" HEIGHT: 3/4" 16 Gauge
<input type="checkbox"/> SA 125 2MM WEDGE WIRE WIDTH: 4 15/16" HEIGHT: 1"	<input type="checkbox"/> KA 38 SLOTTED PATTERN WIDTH: 1 1/2" HEIGHT: 1" 16 Gauge	<input type="checkbox"/> KA 65 SLOTTED PATTERN WIDTH: 2 1/2" HEIGHT: 1" 16 Gauge	<input type="checkbox"/> BA 65 SOLID GRATE WIDTH: 2 1/2" HEIGHT: 3/4" 7 Gauge

Grate Finish - Choose (1)
<input type="checkbox"/> Satin Stainless (SS)
<input type="checkbox"/> Polished Stainless (PS)
<input type="checkbox"/> Matte Black (BK)
<input type="checkbox"/> Satin Bronze (SB)
<input type="checkbox"/> Oil Rubbed Bronze (ORB)
<input type="checkbox"/> Matte White (WH)
<input type="checkbox"/> Other (Specify Color to Match)* <i>Not applicable for Rush</i>

* Custom finishes can be made to match a sample provided by the customer. Contact Infinity Drain for availability of desired finish.

NOTE: Wedge wire grates and Tile Insert Frame including (SA 25, SA 38, SA 65, SA 125, A 38, A 65, A 100 and LA 65) can not be fabricated in lengths greater than 72".

Terms and Conditions:

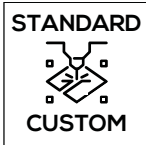
By signing this form, you are agreeing to the terms and conditions herein. All details and finished stated are correct. All dimensions are correct and are to be held within a tolerance of +/- 1/16". All other details and dimensions that are specified as "standard" are subject to manufacturer's tolerance and change without notice. We can assume no responsibility for use of superceded or void data. All custom orders are non-cancellable, non-returnable and non-refundable.

Infinity Drain
145 Dixon Avenue
Amityville, NY 11701
Phone: 516.767.6786
Fax: 516.740.3066
www.Infinitydrain.com



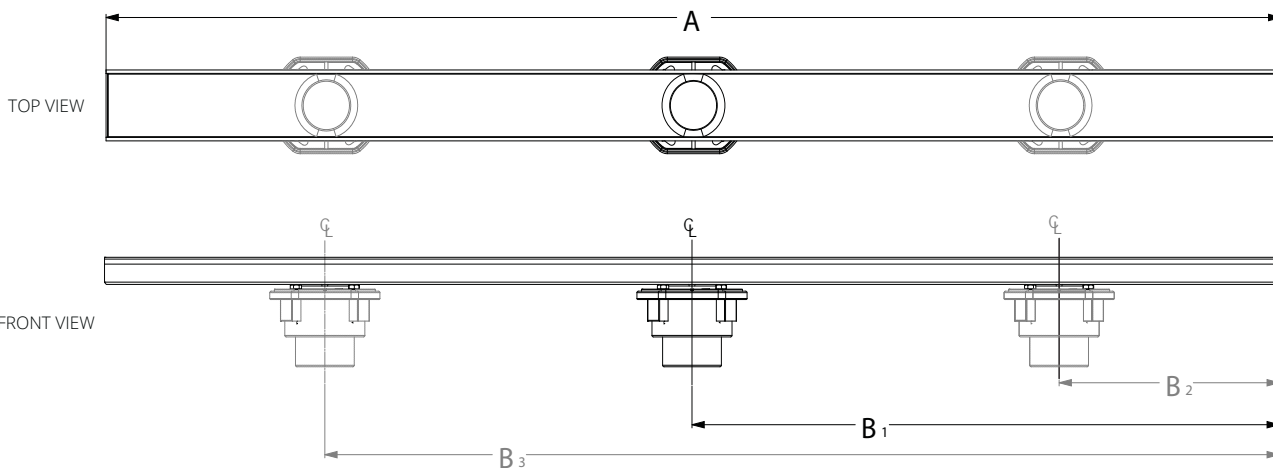
APPROVAL

NAME <input type="checkbox"/>	JOB NAME/REFERENCE <input type="checkbox"/>
SIGNATURE <input type="checkbox"/>	DATE <input type="checkbox"/>



FXC (Fixed Length) Standard Custom Form

[FX] (Fixed Length) linear drains are designed for use with traditional waterproofing methods including PVC Liners, Rubber Liners, Hot Mop, Lead Pan, Copper Pan and Fiberglass. The overall length of the channel (A) is the finished length of the drain, which is the outside dimension. All outlet locations (B) are measured from the right outside edge. For this installation a mechanically fastening drain body (clamp down drain) must be installed. A mortar bed or equal is spread across the shower area and sloped in all directions towards the clamp down drain body. A waterproofing membrane is installed with the drain body and over the mortar bed. The linear drain is threaded into the drain body and set to the correct height. A final layer of mortar is spread to encase the linear drain and is spread across the shower floor with a slope to the drain. Tile or stone is applied to the final mortar bed.



A: Overall Length	B1: Outlet Location 1	B2: Outlet Location 2	B3: Outlet Location 3
<input type="checkbox"/>	<input type="checkbox"/>	<input type="checkbox"/>	<input type="checkbox"/>
<i>FOR ADDITIONAL OUTLETS IF NEEDED</i>			

Requires 2" clamping floor drain with 2" throat
(Sold separately)

- CDI 22 - Cast Iron 2" throat, 2" no hub connect
- CDIH 22 - (For Hot Mop) Cast Iron 2" throat, 2" no hub connect
- CDA 22 - ABS 2" throat, 2" standard connect
- CDP 22 - PVC 2" throat, 2" standard connect

Waterproofing via clamping floor drain:



Grate Styles - Choose (1) Below		OR	Channel Only	Grate Finish - Choose (1)
<input type="checkbox"/> FXAS 65 2 1/2" WIDE WEDGE WIRE		<input type="checkbox"/> FXED 65 OFFSET OVAL PATTERN		<input type="checkbox"/> Satin Stainless (SS)
<input type="checkbox"/> FXAS 125 5" WIDE WEDGE WIRE 4" THROAT STANDARD		<input type="checkbox"/> FXMN 65 MARC NEWSON PATTERN		<input type="checkbox"/> Polished Stainless (PS)
<input type="checkbox"/> FXIG 65 SLOTTED PATTERN		<input type="checkbox"/> FXSG 65 SOLID GRATE		<input type="checkbox"/> Matte Black (BK)
		<input type="checkbox"/> FXTIF 65 TILE INSERT	 <small>STANDARD INSERT DEPTH ACCEPTS UP TO 3/4" MATERIAL</small>	<input type="checkbox"/> Satin Bronze (SB)
				<input type="checkbox"/> Oil Rubbed Bronze (ORB)
				<input type="checkbox"/> Matte White (WH)
				<input type="checkbox"/> Other (Specify Color to Match)* <i>Not applicable for Rush</i>
				<input type="checkbox"/>

* Custom finishes can be made to match a sample provided by the customer. Contact Infinity Drain for availability of desired finish.

Terms and Conditions:

By signing this form, you are agreeing to the terms and conditions herein. All details and finished stated are correct. All dimensions are correct and are to be held within a tolerance of +/- 1/16". All other details and dimensions that are specified as "standard" are subject to manufacturer's tolerance and change without notice. We can assume no responsibility for use of superseded or void data. All custom orders are non-cancellable, non-returnable and non-refundable.

Infinity Drain
145 Dixon Avenue
Amityville, NY 11701
Phone: 516.767.6786
Fax: 516.740.3066
www.Infinitydrain.com

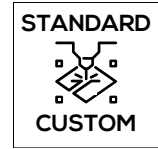


APPROVAL

NAME <input type="checkbox"/>	JOB NAME/REFERENCE <input type="checkbox"/>
SIGNATURE <input type="checkbox"/>	DATE <input type="checkbox"/>

FFC (Fixed Flange)

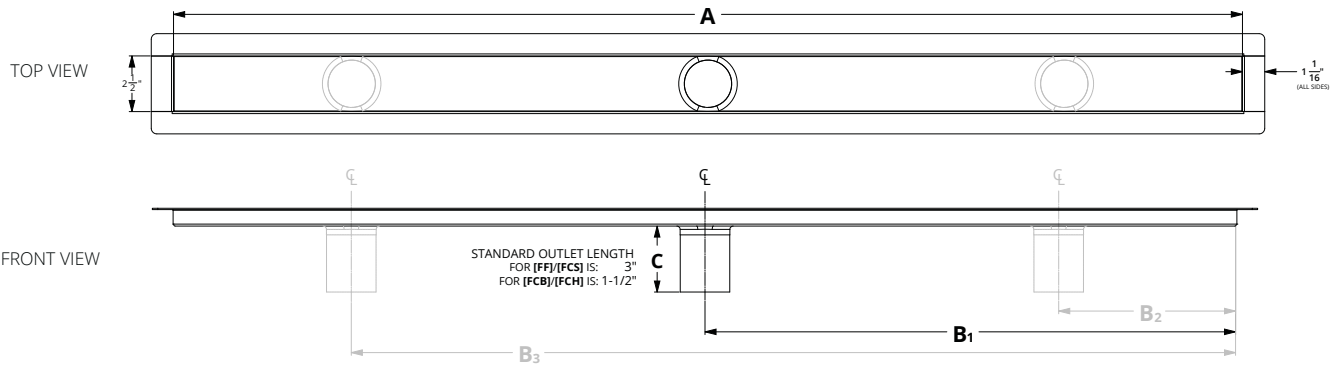
Standard Custom Form



[FF] (Flanged) linear drains are designed for use with liquid applied (cold fluid applied) or fabric sheet membranes. The overall inside length of channel (A) is the finished length of the drain, with a 1-1/16" flange on all four sides to accept the waterproofing membrane. All outlet locations (B) are measured from the right inside channel edge. For this type of installation a mortar bed or equal is created up to and around the drain with the appropriate slope towards the drain. The waterproofing is applied over the mortar bed and the flange of the channel. Tile or stone is applied directly to the waterproofing for a low profile installation. The standard FC channel is provided with a 2" No-Hub Outlet.

Speciality channel options are available.

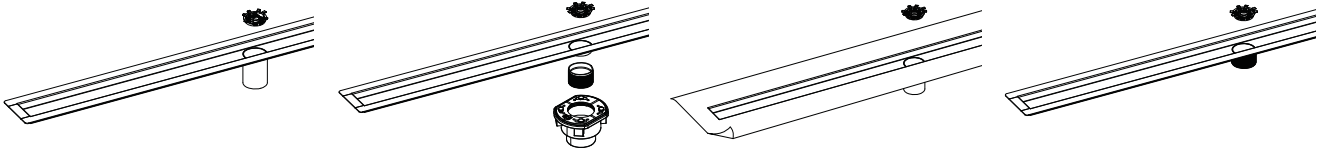
- [FCB] for Double Waterproofing - Comes with a 2" threaded outlet for use with a clamping drain body and a traditional membrane as a primary waterproofing and has the standard 1-1/16" for a liquid/fabric secondary waterproofing.
- [FCS] for Schulter KERDI Waterproofing - Comes with KERDI membrane factory applied to the channel for use with the Schluter KERDI system only. Uses a 2" No-Hub Outlet.
- [FCH] for Liquid or Fabric Waterproofing only - Comes with a 2" tapered male threaded outlet (MPT) for direct threaded connection to a 2" female (FPT) fitting.



A: Overall Inside Length	B1: Outlet Location 1	B2: Outlet Location 2	B3: Outlet Location 3	C: Outlet Length
<input type="checkbox"/>	<input type="checkbox"/>	<input type="checkbox"/>	<input type="checkbox"/>	<input type="checkbox"/>
FOR ADDITIONAL OUTLETS IF NEEDED			IF NOT STANDARD	

Channel Option: Choose (1)

- [FF] Standard 2" No Hub Outlet
 [FCB] Double Waterproofing 2" Threaded Outlet
 [FCS] Flange with Kerdi Factory applied KERDI - 2" No Hub Outlet
 [FCH] Tapered Threaded 2" MPT Outlet



Grate Styles - Choose (1) Below

OR Channel Only

<input type="checkbox"/> FFAS 25 1" WIDE WEDGE WIRE	<input type="checkbox"/> FFIG 65 SLOTTED PATTERN	<input type="checkbox"/> FFTIF 65 TILE INSERT	STANDARD INSERT DEPTH ACCEPTS UP TO 3/8" MATERIAL
<input type="checkbox"/> FFAS 65 2 1/2" WIDE WEDGE WIRE	<input type="checkbox"/> FFED 65 OFFSET OVAL PATTERN	<input type="checkbox"/> FFSG 65 SOLID GRATE	
<input type="checkbox"/> FFAS 125 5" WIDE WEDGE WIRE 3" OUTLET STANDARD	<input type="checkbox"/> FFMN 65 MARC NEWSON PATTERN		

Grate Finish - Choose (1)

- Satin Stainless (SS)
 Polished Stainless (PS)
 Matte Black (BK)
 Satin Bronze (SB)
 Oil Rubbed Bronze (ORB)
 Matte White (WH)
 Other (Specify Color to Match)*
Not applicable for Rush

* Custom finishes can be made to match a sample provided by the customer. Contact Infinity Drain for availability of desired finish.

Terms and Conditions:

By signing this form, you are agreeing to the terms and conditions herein. All details and finished stated are correct. All dimensions are correct and are to be held within a tolerance of +/- 1/16". All other details and dimensions that are specified as "standard" are subject to manufacturer's tolerance and change without notice. We can assume no responsibility for use of superceded or void data. All custom orders are non-cancellable, non-returnable and non-refundable.

Infinity Drain
145 Dixon Avenue
Amityville, NY 11701
Phone: 516.767.6786
Fax: 516.740.3066
www.Infinitydrain.com

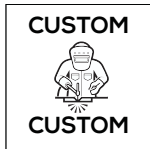


APPROVAL

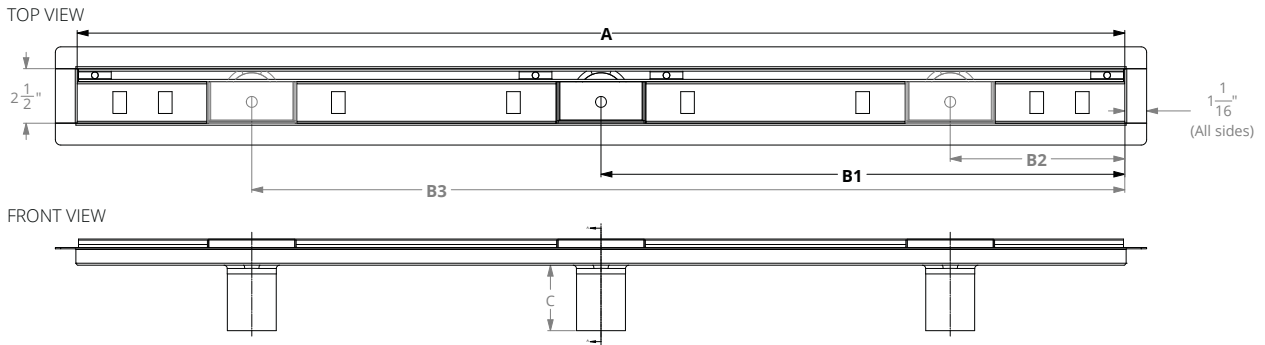
NAME <input type="checkbox"/>	JOB NAME/REFERENCE <input type="checkbox"/>
SIGNATURE <input type="checkbox"/>	DATE <input type="checkbox"/>

FM523-11-19

For pricing email: quotes@infinitydrain.com



Slot Drain Custom Form



<input type="checkbox"/> A: Overall Inside Length	<input type="checkbox"/> B1: Outlet Location 1	<input type="checkbox"/> B2: Outlet Location 2	<input type="checkbox"/> B3: Outlet Location 3	<input type="checkbox"/> C: Outlet Length
		FOR ADDITIONAL OUTLETS IF NEEDED		IF NOT STANDARD

Channel Option: Choose (1)

[FF] Standard 2" No Hub Outlet
 [FCB] Double Waterproofing 2" Threaded Outlet
 [FCS] Flange with Kerdi Factory applied KERDI - 2" No Hub Outlet
 [FCH] Tapered Threaded 2" MPT Outlet

Grate Finish - Choose (1)

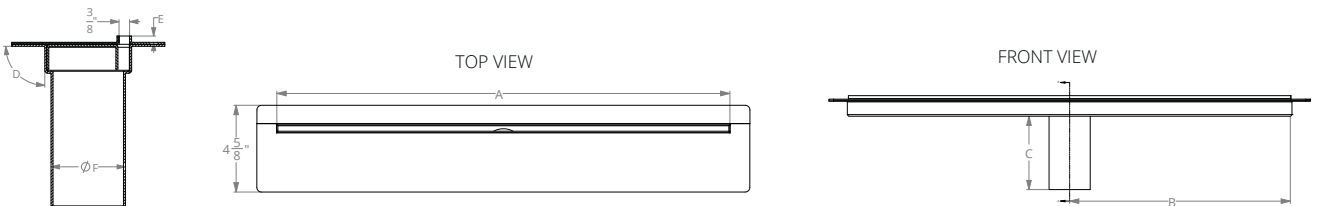
Satin Stainless (SS)
 Polished Stainless (PS)
 Matte Black (BK)
 Satin Bronze (SB)
 Oil Rubbed Bronze (ORB)
 Matte White (WH)
 Other (Specify Color to Match)*
Not applicable for Rush

* Custom finishes can be made to match a sample provided by the customer. Contact Infinity Drain for availability of desired finish.

Terms and Conditions:
 By signing this form, you are agreeing to the terms and conditions herein. All details and finished stated are correct. All dimensions are correct and are to be held within a tolerance of +/- 1/16". All other details and dimensions that are specified as "standard" are subject to manufacturer's tolerance and change without notice. We can assume no responsibility for use of superceded or void data. All custom orders are non-cancellable, non-returnable and non-refundable.

APPROVAL	NAME	JOB NAME/REFERENCE
	SIGNATURE	DATE

Slot & 25 Series Sink Drain Custom Form



<input type="checkbox"/> A: Overall Finished Length	<input type="checkbox"/> B: Outlet Location	<input type="checkbox"/> C: Outlet Length	<input type="checkbox"/> D: Flange Angle	<input type="checkbox"/> E: Finished Edge Height
---	---	---	--	--

Outlet Option (F): Choose (1)

1 1/2" No-Hub Outlet
 1 1/2" Slip Fit Outlet
 1 1/2" MPT Threaded Outlet
 1 1/4" No-Hub Outlet
 1 1/4" Slip Fit Outlet
 1 1/4" MPT Threaded Outlet

Grate Finish - Choose (1)

Satin Stainless (SS)
 Polished Stainless (PS)
 Matte Black (BK)
 Satin Bronze (SB)
 Oil Rubbed Bronze (ORB)

Matte White (WH)
 Other (Specify Color to Match)*
Not applicable for Rush

Grate Styles - Choose (1)

FTAS 25 1" WIDE WEDGE WIRE
 FTST SLOT DRAIN

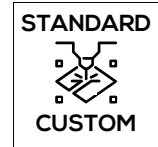
* Custom finishes can be made to match a sample provided by the customer. Contact Infinity Drain for availability of desired finish.

NAME	JOB NAME/REFERENCE
SIGNATURE	DATE

Terms and Conditions:
 By signing this form, you are agreeing to the terms and conditions herein. All details and finished stated are correct. All dimensions are correct and are to be held within a tolerance of +/- 1/16". All other details and dimensions that are specified as "standard" are subject to manufacturer's tolerance and change without notice. We can assume no responsibility for use of superceded or void data. All custom orders are non-cancellable, non-returnable and non-refundable.

FFC Sink Drain

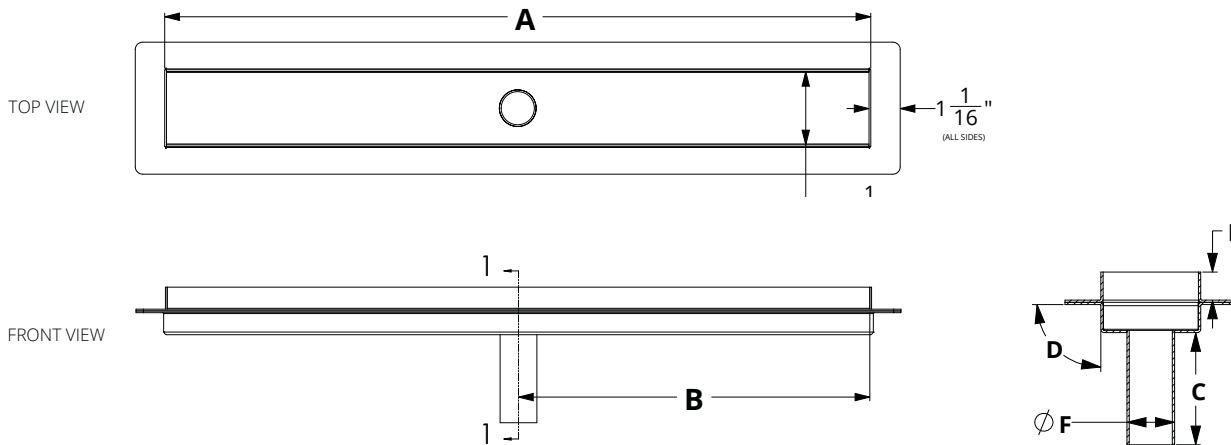
Standard Custom Form



[FF] linear drains are typically designed for use with liquid applied (cold fluid applied) or fabric sheet membranes. For a sink application the channel of the drain should be undermounted to the counter top or sink top using an epoxy, waterproof adhesive, or equal. The overall inside length of channel (A) is the finished length of the drain, with a 1-1/16" flange on all four sides to accept the waterproofing membrane. All outlet locations (B) are measured from the right inside channel edge. The angle of the flange under the basin of the sink (D) should be the same as the slope of the basin of the sink. These sink drains are provided with a finished edge that is flush with the height of the decorative grate. This height (E) is typically the same as the thickness of the sink top material. The outlet diameter (F) is available in various sizes and connection types.

Outlet connection types include:

- No Hub - Two pipes of the same outside diameter are abutted to each other and joined using a rubber coupling.
- Slip Fit - A male tail piece slips into another threaded pipe and is joined together with a slip nut and washer.
- MPT Threaded - Outlet of the drain has a male threading that is tapered (MPT) to thread into a tapered female fitting (FPT).



SECTION 1-1

A: Overall Finished Length	B: Outlet Location	C: Outlet Length	D: Flange Angle	E: Finished Edge Height
<input type="checkbox"/>	<input type="checkbox"/>	<input type="checkbox"/>	<input type="checkbox"/>	<input type="checkbox"/>

Outlet Option (F): Choose (1)					
<input type="checkbox"/> 1 1/2" No-Hub Outlet	<input type="checkbox"/> 1 1/2" Slip Fit Outlet	<input type="checkbox"/> 1 1/2" MPT Threaded Outlet	<input type="checkbox"/> 1 1/4" No-Hub Outlet	<input type="checkbox"/> 1 1/4" Slip Fit Outlet	<input type="checkbox"/> 1 1/4" MPT Threaded Outlet

Grate Styles - Choose (1) Below			OR	Channel Only	Grate Finish - Choose (1)	
<input type="checkbox"/> FFMN 65 MARC NEWSON PATTERN		<input type="checkbox"/> FFIG 65 SLOTTED PATTERN		<input type="checkbox"/> FFSG 65 SOLID GRATE		<input type="checkbox"/> Satin Stainless (SS)
<input type="checkbox"/> FFAS 65 2 1/2" WIDE WEDGE WIRE		<input type="checkbox"/> FFED 65 OFFSET OVAL PATTERN		<input type="checkbox"/> FFTIF 65 TILE INSERT		<input type="checkbox"/> Polished Stainless (PS)
					STANDARD INSERT DEPTH ACCEPTS UP TO 3/8" MATERIAL	
					<input type="checkbox"/> Matte Black (BK)	
					<input type="checkbox"/> Satin Bronze (SB)	
					<input type="checkbox"/> Oil Rubbed Bronze (ORB)	
					<input type="checkbox"/> Matte White (WH)	
					<input type="checkbox"/> Other (Specify Color to Match)* <i>Not applicable for Rush</i>	
					<input type="checkbox"/>	

* Custom finishes can be made to match a sample provided by the customer. Contact Infinity Drain for availability of desired finish.

Terms and Conditions:

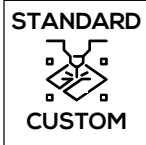
By signing this form, you are agreeing to the terms and conditions herein. All details and finished stated are correct. All dimensions are correct and are to be held within a tolerance of +/- 1/16". All other details and dimensions that are specified as "standard" are subject to manufacturer's tolerance and change without notice. We can assume no responsibility for use of superceded or void data. All custom orders are non-cancellable, non-returnable and non-refundable.

Infinity Drain
145 Dixon Avenue
Amityville, NY 11701
Phone: 516.767.6786
Fax: 516.740.3066
www.Infinitydrain.com



APPROVAL

NAME <input type="checkbox"/>	JOB NAME/REFERENCE <input type="checkbox"/>
SIGNATURE <input type="checkbox"/>	DATE <input type="checkbox"/>

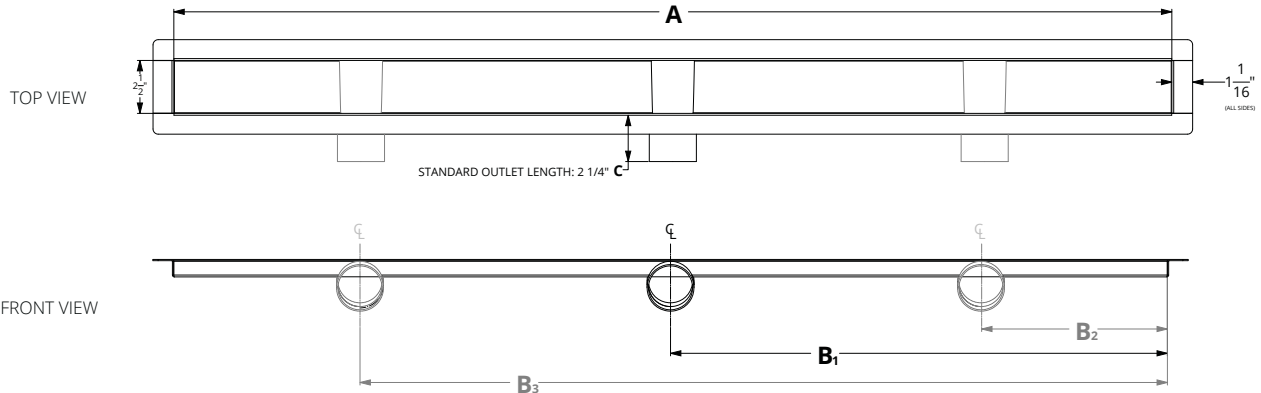


FTC (Side Outlet) Standard Custom Form

[FT] (Side outlet) linear drains are designed for use with liquid applied (cold fluid applied) or fabric sheet membranes. The overall inside length of channel (A) is the finished length of the drain, with a 1-1/16" flange on all four sides to accept the waterproofing membrane. All outlet locations (B) are measured from the right inside channel edge. For this type of installation a mortar bed or equal is created up to and around the drain with the appropriate slope towards the drain. The waterproofing is applied over the mortar bed and the flange of the channel. Tile or stone is applied directly to the waterproofing for a low profile installation.

Speciality channel options are available.

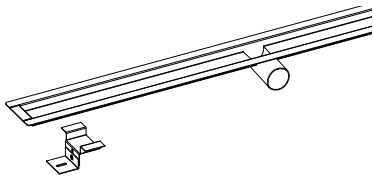
- [OCH] for Threaded Connection - This channel is provided with a 2" male tapered thread (MPT) for direct threaded connection to a female threaded pipe.



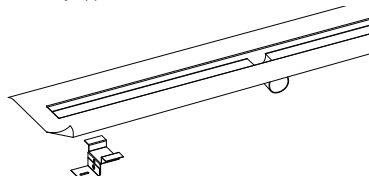
A: Overall Inside Length	B1: Outlet Location 1	B2: Outlet Location 2	B3: Outlet Location 3	C: Outlet Length
<input type="checkbox"/>	<input type="checkbox"/>	<input type="checkbox"/>	<input type="checkbox"/>	<input type="checkbox"/>
FOR ADDITIONAL OUTLETS IF NEEDED				IF NOT STANDARD

Channel Option: Choose (1)

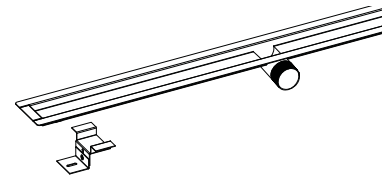
[FT] Standard
2" No Hub Outlet



[FTS] Standard
Factory applied KERDI - 2" No Hub Outlet



[OCH] Tapered Threaded
2" MPT Outlet



Grate Styles - Choose (1) Below			OR	Channel Only	Grate Finish - Choose (1)
<input type="checkbox"/> FTAS 25 1" WIDE WEDGE WIRE		<input type="checkbox"/> FTIG 65 SLOTTED PATTERN		<input type="checkbox"/> FTST SLOT DRAIN	<input type="checkbox"/> Satin Stainless (SS)
<input type="checkbox"/> FTAS 65 2 1/2" WIDE WEDGE WIRE		<input type="checkbox"/> FTED 65 OFFSET OVAL PATTERN		<input type="checkbox"/> FTSG 65 SOLID GRATE	<input type="checkbox"/> Polished Stainless (PS)
<input type="checkbox"/> FTAS 125 3" WIDE WEDGE WIRE 3" OUTLET STANDARD		<input type="checkbox"/> FTMN 65 MARC NEWSON PATTERN		<input type="checkbox"/> FTTF 65 TILE INSERT STANDARD INSERT DEPTH ACCEPTS UP TO 3/8" MATERIAL	<input type="checkbox"/> Matte Black (BK)
					<input type="checkbox"/> Satin Bronze (SB)
					<input type="checkbox"/> Oil Rubbed Bronze (ORB)
					<input type="checkbox"/> Matte White (WH)
					<input type="checkbox"/> Other (Specify Color to Match)* Not applicable for Rush

* Custom finishes can be made to match a sample provided by the customer. Contact Infinity Drain for availability of desired finish.

Terms and Conditions:

By signing this form, you are agreeing to the terms and conditions herein. All details and finished stated are correct. All dimensions are correct and are to be held within a tolerance of +/- 1/16". All other details and dimensions that are specified as "standard" are subject to manufacturer's tolerance and change without notice. We can assume no responsibility for use of superceded or void data. All custom orders are non-cancellable, non-returnable and non-refundable.

Infinity Drain
145 Dixon Avenue
Amityville, NY 11701
Phone: 516.767.6786
Fax: 516.740.3066
www.Infinitydrain.com

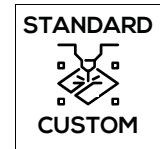


APPROVAL	NAME <input type="checkbox"/>	JOB NAME/REFERENCE <input type="checkbox"/>
	SIGNATURE <input type="checkbox"/>	DATE <input type="checkbox"/>

FM524-11-19

For pricing email: quotes@infinitydrain.com

Custom Channels



Custom channels are fabricated to length with custom outlet location(s). The lead time for custom channels is 15 business days, for Next Day custom options see pages 111-114. For lengths longer than 96" contact our quotes department at quotes@infinitydrain.com



XC 65 Channel for [FX] series. Used with traditional waterproofing. Threaded nipple (TNAS) is included.

0-36" Model	List	37-48" Model	List	49-60" Model	List	61-72" Model	List	73-84" Model	List	85-96" Model	List
XC 65C 0-36 SS	\$500	XC 65C 37-48 SS	\$665	XC 65C 49-60 SS	\$835	XC 65C 61-72 SS	\$1000	XC 65C 73-84 SS	\$1165	XC 65C 85-96 SS	\$1330
XC 65C 0-36 PS	\$580	XC 65C 37-48 PS	\$770	XC 65C 49-60 PS	\$965	XC 65C 61-72 PS	\$1155	XC 65C 73-84 PS	\$1350	XC 65C 85-96 PS	\$1540
XC 65C 0-36 ORB	\$580	XC 65C 37-48 ORB	\$770	XC 65C 49-60 ORB	\$965	XC 65C 61-72 ORB	\$1155	XC 65C 73-84 ORB	\$1350	XC 65C 85-96 ORB	\$1540
XC 65C 0-36 SB	\$580	XC 65C 37-48 SB	\$770	XC 65C 49-60 SB	\$965	XC 65C 61-72 SB	\$1155	XC 65C 73-84 SB	\$1350	XC 65C 85-96 SB	\$1540
XC 65C 0-36 BK	\$580	XC 65C 37-48 BK	\$770	XC 65C 49-60 BK	\$965	XC 65C 61-72 BK	\$1155	XC 65C 73-84 BK	\$1350	XC 65C 85-96 BK	\$1540
For custom length from 0" to 36-15/16"		For custom length from 37" to 48-15/16"		For custom length from 49" to 60-15/16"		For custom length from 61" to 72-15/16"		For custom length from 73" to 84-15/16"		For custom length from 85" to 96-15/16"	



XC 125 Channel for [FX] high flow series. Used with traditional waterproofing. Threaded nipple (TN4A) is included.

0-36" Model	List	37-48" Model	List	49-60" Model	List	61-72" Model	List	73-84" Model	List	85-96" Model	List
XC 125C 0-36 SS	\$790	XC 125C 37-48 SS	\$1050	XC 125C 49-60 SS	\$1315	XC 125C 61-72 SS	\$1575	XC 125C 73-84 SS	\$1840	XC 125C 85-96 SS	\$2100
XC 125C 0-36 PS	\$870	XC 125C 37-48 PS	\$1155	XC 125C 49-60 PS	\$1445	XC 125C 61-72 PS	\$1735	XC 125C 73-84 PS	\$2025	XC 125C 85-96 PS	\$2310
XC 125C 0-36 ORB	\$870	XC 125C 37-48 ORB	\$1155	XC 125C 49-60 ORB	\$1445	XC 125C 61-72 ORB	\$1735	XC 125C 73-84 ORB	\$2025	XC 125C 85-96 ORB	\$2310
XC 125C 0-36 SB	\$870	XC 125C 37-48 SB	\$1155	XC 125C 49-60 SB	\$1445	XC 125C 61-72 SB	\$1735	XC 125C 73-84 SB	\$2025	XC 125C 85-96 SB	\$2310
XC 125C 0-36 BK	\$870	XC 125C 37-48 BK	\$1155	XC 125C 49-60 BK	\$1445	XC 125C 61-72 BK	\$1735	XC 125C 73-84 BK	\$2025	XC 125C 85-96 BK	\$2310
For custom length from 0" to 36-15/16"		For custom length from 37" to 48-15/16"		For custom length from 49" to 60-15/16"		For custom length from 61" to 72-15/16"		For custom length from 73" to 84-15/16"		For custom length from 85" to 96-15/16"	



FC 65 Channel for [FF] series. Used with fabric/liquid waterproofing.

0-36" Model	List	37-48" Model	List	49-60" Model	List	61-72" Model	List	73-84" Model	List	85-96" Model	List
FC 65C 0-36 SS	\$630	FC 65C 37-48 SS	\$840	FC 65C 49-60 SS	\$1050	FC 65C 61-72 SS	\$1260	FC 65C 73-84 SS	\$1470	FC 65C 85-96 SS	\$1680
For custom length from 0" to 36-15/16"		For custom length from 37" to 48-15/16"		For custom length from 49" to 60-15/16"		For custom length from 61" to 72-15/16"		For custom length from 73" to 84-15/16"		For custom length from 85" to 96-15/16"	



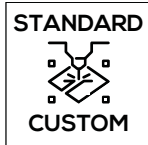
FCS 65 Channel with Schluter®-Kerdi fabric for [FCS] series. Used with fabric/liquid waterproofing.

0-36" Model	List	37-48" Model	List	49-60" Model	List	61-72" Model	List	73-84" Model	List	85-96" Model	List
FCS 65C 0-36 SS	\$975	FCS 65C 37-48 SS	\$1295	FCS 65C 49-60 SS	\$1620	FCS 65C 61-72 SS	\$1945	FCS 65C 73-84 SS	\$2270	FCS 65C 85-96 SS	\$2590
For custom length from 0" to 36-15/16"		For custom length from 37" to 48-15/16"		For custom length from 49" to 60-15/16"		For custom length from 61" to 72-15/16"		For custom length from 73" to 84-15/16"		For custom length from 85" to 96-15/16"	



FCB 65 Channel for [FCB] series. Used with traditional and fabric/liquid waterproofing. Threaded nipple (TNAS) is included.

0-36" Model	List	37-48" Model	List	49-60" Model	List	61-72" Model	List	73-84" Model	List	85-96" Model	List
FCB 65C 0-36 SS	\$630	FCB 65C 37-48 SS	\$840	FCB 65C 49-60 SS	\$1050	FCB 65C 61-72 SS	\$1260	FCB 65C 73-84 SS	\$1470	FCB 65C 85-96 SS	\$1680
For custom length from 0" to 36-15/16"		For custom length from 37" to 48-15/16"		For custom length from 49" to 60-15/16"		For custom length from 61" to 72-15/16"		For custom length from 73" to 84-15/16"		For custom length from 85" to 96-15/16"	



Custom Channels



CI 25 Channel Insert. Used with SA 25 grate.

0-36" Model	List	37-48" Model	List	49-60" Model	List	61-72" Model	List	73-84" Model	List	85-96" Model	List
CI 25C 0-36 SS	\$160	CI 25C 37-48 SS	\$210	CI 25C 49-60 SS	\$265	CI 25C 61-72 SS	\$315	CI 25C 73-84 SS	\$370	CI 25C 85-96 SS	\$420
For custom length from 0" to 36-15/16"		For custom length from 37" to 48-15/16"		For custom length from 49" to 60-15/16"		For custom length from 61" to 72-15/16"		For custom length from 73" to 84-15/16"		For custom length from 85" to 96-15/16"	



FC 125 Channel for [FF] high flow series. Used with fabric/liquid waterproofing.

0-36" Model	List	37-48" Model	List	49-60" Model	List	61-72" Model	List	73-84" Model	List	85-96" Model	List
FC 125C 0-36 SS	\$790	FC 125C 37-48 SS	\$1050	FC 125C 49-60 SS	\$1315	FC 125C 61-72 SS	\$1575	FC 125C 73-84 SS	\$1840	FC 125C 85-96 SS	\$2100
For custom length from 0" to 36-15/16"		For custom length from 37" to 48-15/16"		For custom length from 49" to 60-15/16"		For custom length from 61" to 72-15/16"		For custom length from 73" to 84-15/16"		For custom length from 85" to 96-15/16"	



FCS 125 Channel with Schluter®-Kerdi fabric for [FCS] high flow series. Used with fabric/liquid waterproofing.

0-36" Model	List	37-48" Model	List	49-60" Model	List	61-72" Model	List	73-84" Model	List	85-96" Model	List
FCS 125C 0-36 SS	\$1130	FCS 125C 37-48 SS	\$1505	FCS 125C 49-60 SS	\$1885	FCS 125C 61-72 SS	\$2260	FCS 125C 73-84 SS	\$2635	FCS 125C 85-96 SS	\$3010
For custom length from 0" to 36-15/16"		For custom length from 37" to 48-15/16"		For custom length from 49" to 60-15/16"		For custom length from 61" to 72-15/16"		For custom length from 73" to 84-15/16"		For custom length from 85" to 96-15/16"	



FCH 65 Channel. Used with fabric/liquid waterproofing. This channel has a threaded tapered connection.

0-36" Model	List	37-48" Model	List	49-60" Model	List	61-72" Model	List	73-84" Model	List	85-96" Model	List
FCH 65C 0-36 SS	\$630	FCH 65C 37-48 SS	\$840	FCH 65C 49-60 SS	\$1050	FCH 65C 61-72 SS	\$1260	FCH 65C 73-84 SS	\$1470	FCH 65C 85-96 SS	\$1680
For custom length from 0" to 36-15/16"		For custom length from 37" to 48-15/16"		For custom length from 49" to 60-15/16"		For custom length from 61" to 72-15/16"		For custom length from 73" to 84-15/16"		For custom length from 85" to 96-15/16"	



OC 65 Channel for [FT] series. Used with fabric/liquid waterproofing. This channel has a no hub side outlet.

0-36" Model	List	37-48" Model	List	49-60" Model	List	61-72" Model	List	73-84" Model	List	85-96" Model	List
OC 65C 0-36 SS	\$630	OC 65C 37-48 SS	\$840	OC 65C 49-60 SS	\$1050	OC 65C 61-72 SS	\$1260	OC 65C 73-84 SS	\$1470	OC 65C 85-96 SS	\$1680
For custom length from 0" to 36-15/16"		For custom length from 37" to 48-15/16"		For custom length from 49" to 60-15/16"		For custom length from 61" to 72-15/16"		For custom length from 73" to 84-15/16"		For custom length from 85" to 96-15/16"	



OCS 65 Channel with Schluter®-Kerdi fabric. Used with fabric/liquid waterproofing. This channel has a no hub side outlet.

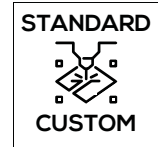
0-36" Model	List	37-48" Model	List	49-60" Model	List	61-72" Model	List	73-84" Model	List	85-96" Model	List
OCS 65C 0-36 SS	\$975	OCS 65C 37-48 SS	\$1295	OCS 65C 49-60 SS	\$1620	OCS 65C 61-72 SS	\$1945	OCS 65C 73-84 SS	\$2270	OCS 65C 85-96 SS	\$2590
For custom length from 0" to 36-15/16"		For custom length from 37" to 48-15/16"		For custom length from 49" to 60-15/16"		For custom length from 61" to 72-15/16"		For custom length from 73" to 84-15/16"		For custom length from 85" to 96-15/16"	



OCH 65 Channel. Used with fabric/liquid waterproofing. This channel has a threaded tapered side outlet.

0-36" Model	List	37-48" Model	List	49-60" Model	List	61-72" Model	List	73-84" Model	List	85-96" Model	List
OCH 65C 0-36 SS	\$630	OCH 65C 37-48 SS	\$840	OCH 65C 49-60 SS	\$1050	OCH 65C 61-72 SS	\$1260	OCH 65C 73-84 SS	\$1470	OCH 65C 85-96 SS	\$1680
For custom length from 0" to 36-15/16"		For custom length from 37" to 48-15/16"		For custom length from 49" to 60-15/16"		For custom length from 61" to 72-15/16"		For custom length from 73" to 84-15/16"		For custom length from 85" to 96-15/16"	

Custom Grates



Custom grates are fabricated to length up to 72". The lead time for custom grates is 15 business days, for Next Day custom option see page 111-114. For drains that are longer than 72" grates are fabricated in two sections.

Infinity Drain Wedge Wire blends contemporary styling with durability. Made of 316L marine grade stainless steel, the signature 'Infinity' look is created by V-shaped wires that run parallel to each other and are welded together with spacing of absolute precision. Grate openings widen inwardly to serve as a primary strainer for debris, while allowing water to flow freely.



SA 25 Grate: 2mm Wedge Wire. (1" width, 1" height) - 316L Stainless Steel

Fits into FC 65, FCS 65, FCB 65, FCH 65, OC 65, OCS 65, and OCH 65 channels.
Requires use of channel insert (CI 25).

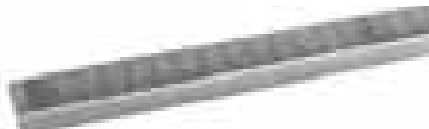
0-36" Model	List	37-48" Model	List	49-60" Model	List	61-72" Model	List	73-84" Model	List	85-96" Model	List
SA 25C 0-36 SS	\$920	SA 25C 37-48 SS	\$1225	SA 25C 49-60 SS	\$1535	SA 25C 61-72 SS	\$1840	SA 25C 73-84 SS	\$2145	SA 25C 85-96 SS	\$2450
SA 25C 0-36 PS	\$1185	SA 25C 37-48 PS	\$1575	SA 25C 49-60 PS	\$1970	SA 25C 61-72 PS	\$2365	SA 25C 73-84 PS	\$2760	SA 25C 85-96 PS	\$3150
SA 25C 0-36 ORB	\$1185	SA 25C 37-48 ORB	\$1575	SA 25C 49-60 ORB	\$1970	SA 25C 61-72 ORB	\$2365	SA 25C 73-84 ORB	\$2760	SA 25C 85-96 ORB	\$3150
SA 25C 0-36 SB	\$1185	SA 25C 37-48 SB	\$1575	SA 25C 49-60 SB	\$1970	SA 25C 61-72 SB	\$2365	SA 25C 73-84 SB	\$2760	SA 25C 85-96 SB	\$3150
SA 25C 0-36 BK	\$1185	SA 25C 37-48 BK	\$1575	SA 25C 49-60 BK	\$1970	SA 25C 61-72 BK	\$2365	SA 25C 73-84 BK	\$2760	SA 25C 85-96 BK	\$3150
For custom length from 0" to 36-15/16"		For custom length from 37" to 48-15/16"		For custom length from 49" to 60-15/16"		For custom length from 61" to 72-15/16"		For custom length from 73" to 84-15/16"		For custom length from 85" to 96-15/16"	



WA 65 Grate: 2mm Wedge Wire. (2 1/2" width, 3/4" height) - 316L Stainless Steel

Fits into XC 65, FC 65, FCS 65, FCB 65, FCH 65, OC 65, OCS 65, and OCH 65 channels.

0-36" Model	List	37-48" Model	List	49-60" Model	List	61-72" Model	List	73-84" Model	List	85-96" Model	List
WA 65C 0-36 SS	\$1290	WA 65C 37-48 SS	\$1715	WA 65C 49-60 SS	\$2145	WA 65C 61-72 SS	\$2575	WA 65C 73-84 SS	\$3005	WA 65C 85-96 SS	\$3430
WA 65C 0-36 PS	\$1550	WA 65C 37-48 PS	\$2065	WA 65C 49-60 PS	\$2585	WA 65C 61-72 PS	\$3100	WA 65C 73-84 PS	\$3615	WA 65C 85-96 PS	\$4130
WA 65C 0-36 ORB	\$1550	WA 65C 37-48 ORB	\$2065	WA 65C 49-60 ORB	\$2585	WA 65C 61-72 ORB	\$3100	WA 65C 73-84 ORB	\$3615	WA 65C 85-96 ORB	\$4130
WA 65C 0-36 SB	\$1550	WA 65C 37-48 SB	\$2065	WA 65C 49-60 SB	\$2585	WA 65C 61-72 SB	\$3100	WA 65C 73-84 SB	\$3615	WA 65C 85-96 SB	\$4130
WA 65C 0-36 BK	\$1550	WA 65C 37-48 BK	\$2065	WA 65C 49-60 BK	\$2585	WA 65C 61-72 BK	\$3100	WA 65C 73-84 BK	\$3615	WA 65C 85-96 BK	\$4130
For custom length from 0" to 36-15/16"		For custom length from 37" to 48-15/16"		For custom length from 49" to 60-15/16"		For custom length from 61" to 72-15/16"		For custom length from 73" to 84-15/16"		For custom length from 85" to 96-15/16"	



SA 65 Grate: 2mm Wedge Wire. (2 1/2" width, 1" height) - 316L Stainless Steel

Fits into XC 65 channel.

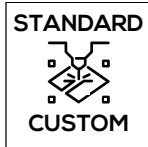
0-36" Model	List	37-48" Model	List	49-60" Model	List	61-72" Model	List	73-84" Model	List	85-96" Model	List
SA 65C 0-36 SS	\$1290	SA 65C 37-48 SS	\$1715	SA 65C 49-60 SS	\$2145	SA 65C 61-72 SS	\$2575	SA 65C 73-84 SS	\$3005	SA 65C 85-96 SS	\$3430
SA 65C 0-36 PS	\$1550	SA 65C 37-48 PS	\$2065	SA 65C 49-60 PS	\$2585	SA 65C 61-72 PS	\$3100	SA 65C 73-84 PS	\$3615	SA 65C 85-96 PS	\$4130
SA 65C 0-36 ORB	\$1550	SA 65C 37-48 ORB	\$2065	SA 65C 49-60 ORB	\$2585	SA 65C 61-72 ORB	\$3100	SA 65C 73-84 ORB	\$3615	SA 65C 85-96 ORB	\$4130
SA 65C 0-36 SB	\$1550	SA 65C 37-48 SB	\$2065	SA 65C 49-60 SB	\$2585	SA 65C 61-72 SB	\$3100	SA 65C 73-84 SB	\$3615	SA 65C 85-96 SB	\$4130
SA 65C 0-36 BK	\$1550	SA 65C 37-48 BK	\$2065	SA 65C 49-60 BK	\$2585	SA 65C 61-72 BK	\$3100	SA 65C 73-84 BK	\$3615	SA 65C 85-96 BK	\$4130
For custom length from 0" to 36-15/16"		For custom length from 37" to 48-15/16"		For custom length from 49" to 60-15/16"		For custom length from 61" to 72-15/16"		For custom length from 73" to 84-15/16"		For custom length from 85" to 96-15/16"	



SA 125 Grate: 2mm Wedge Wire. (5" width, 1" height) - 316L Stainless Steel

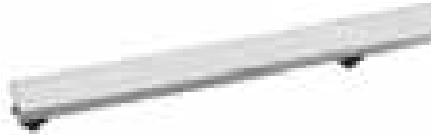
Fits into XC 125, FC 125, and FCS 125 channels..

0-36" Model	List	37-48" Model	List	49-60" Model	List	61-72" Model	List	73-84" Model	List	85-96" Model	List
SA 125C 0-36 SS	\$1630	SA 125C 37-48 SS	\$2170	SA 125C 49-60 SS	\$2715	SA 125C 61-72 SS	\$3255	SA 125C 73-84 SS	\$3800	SA 125C 85-96 SS	\$4340
SA 125C 0-36 PS	\$2205	SA 125C 37-48 PS	\$2940	SA 125C 49-60 PS	\$3675	SA 125C 61-72 PS	\$4410	SA 125C 73-84 PS	\$5145	SA 125C 85-96 PS	\$5880
SA 125C 0-36 ORB	\$2205	SA 125C 37-48 ORB	\$2940	SA 125C 49-60 ORB	\$3675	SA 125C 61-72 ORB	\$4410	SA 125C 73-84 ORB	\$5145	SA 125C 85-96 ORB	\$5880
SA 125C 0-36 SB	\$2205	SA 125C 37-48 SB	\$2940	SA 125C 49-60 SB	\$3675	SA 125C 61-72 SB	\$4410	SA 125C 73-84 SB	\$5145	SA 125C 85-96 SB	\$5880
SA 125C 0-36 BK	\$2205	SA 125C 37-48 BK	\$2940	SA 125C 49-60 BK	\$3675	SA 125C 61-72 BK	\$4410	SA 125C 73-84 BK	\$5145	SA 125C 85-96 BK	\$5880
For custom length from 0" to 36-15/16"		For custom length from 37" to 48-15/16"		For custom length from 49" to 60-15/16"		For custom length from 61" to 72-15/16"		For custom length from 73" to 84-15/16"		For custom length from 85" to 96-15/16"	



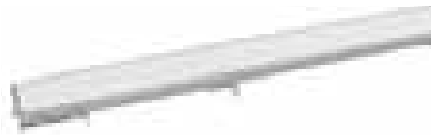
Custom Grates

The Tile Insert Frame allows the drain to truly disappear into the shower floor. Flooring material is set into the tray and a minimally sized, yet sufficient, gap provides the necessary drainage to evacuate water efficiently.



LA 65 Grate: Tile Insert Frame ($\frac{3}{8}$ " depth for tile) - 16 Gauge 304L Stainless Steel
Fits into XC 65, FC 65, FCS 65, FCB 65, FCH 65, OC 65, OCS 65, and OCH 65 channels.

0-36" Model	List	37-48" Model	List	49-60" Model	List	61-72" Model	List	73-84" Model	List	85-96" Model	List
LA 65C 0-36 SS	\$685	LA 65C 37-48 SS	\$910	LA 65C 49-60 SS	\$1140	LA 65C 61-72 SS	\$1365	LA 65C 73-84 SS	\$1595	LA 65C 85-96 SS	\$1820
LA 65C 0-36 PS	\$790	LA 65C 37-48 PS	\$1050	LA 65C 49-60 PS	\$1315	LA 65C 61-72 PS	\$1575	LA 65C 73-84 PS	\$1840	LA 65C 85-96 PS	\$2100
LA 65C 0-36 ORB	\$790	LA 65C 37-48 ORB	\$1050	LA 65C 49-60 ORB	\$1315	LA 65C 61-72 ORB	\$1575	LA 65C 73-84 ORB	\$1840	LA 65C 85-96 ORB	\$2100
LA 65C 0-36 SB	\$790	LA 65C 37-48 SB	\$1050	LA 65C 49-60 SB	\$1315	LA 65C 61-72 SB	\$1575	LA 65C 73-84 SB	\$1840	LA 65C 85-96 SB	\$2100
LA 65C 0-36 BK	\$790	LA 65C 37-48 BK	\$1050	LA 65C 49-60 BK	\$1315	LA 65C 61-72 BK	\$1575	LA 65C 73-84 BK	\$1840	LA 65C 85-96 BK	\$2100
For custom length from 0" to 36-15/16"		For custom length from 37" to 48-15/16"		For custom length from 49" to 60-15/16"		For custom length from 61" to 72-15/16"		For custom length from 73" to 84-15/16"		For custom length from 85" to 96-15/16"	



RA 65 Grate: Tile Insert Frame ($\frac{3}{8}$ " depth for tile) - 12 Gauge 304L Stainless Steel
Fits into XC 65, FC 65, FCS 65, FCB 65, FCH 65, OC 65, OCS 65, and OCH 65 channels.

0-36" Model	List	37-48" Model	List	49-60" Model	List	61-72" Model	List	73-84" Model	List	85-96" Model	List
RA 65C 0-36 SS	\$1080	RA 65C 37-48 SS	\$1435	RA 65C 49-60 SS	\$1795	RA 65C 61-72 SS	\$2155	RA 65C 73-84 SS	\$2515	RA 65C 85-96 SS	\$2870
RA 65C 0-36 PS	\$1210	RA 65C 37-48 PS	\$1610	RA 65C 49-60 PS	\$2015	RA 65C 61-72 PS	\$2415	RA 65C 73-84 PS	\$2820	RA 65C 85-96 PS	\$3220
RA 65C 0-36 ORB	\$1210	RA 65C 37-48 ORB	\$1610	RA 65C 49-60 ORB	\$2015	RA 65C 61-72 ORB	\$2415	RA 65C 73-84 ORB	\$2820	RA 65C 85-96 ORB	\$3220
RA 65C 0-36 SB	\$1210	RA 65C 37-48 SB	\$1610	RA 65C 49-60 SB	\$2015	RA 65C 61-72 SB	\$2415	RA 65C 73-84 SB	\$2820	RA 65C 85-96 SB	\$3220
RA 65C 0-36 BK	\$1210	RA 65C 37-48 BK	\$1610	RA 65C 49-60 BK	\$2015	RA 65C 61-72 BK	\$2415	RA 65C 73-84 BK	\$2820	RA 65C 85-96 BK	\$3220
For custom length from 0" to 36-15/16"		For custom length from 37" to 48-15/16"		For custom length from 49" to 60-15/16"		For custom length from 61" to 72-15/16"		For custom length from 73" to 84-15/16"		For custom length from 85" to 96-15/16"	



TA 65 Grate: Tile Insert Frame ($\frac{3}{4}$ " depth for tile) - 12 Gauge 304L Stainless Steel
Fits into FC 65, FCS 65, FCB 65, FCH 65, OC 65, OCS 65, and OCH 65 channels.

0-36" Model	List	37-48" Model	List	49-60" Model	List	61-72" Model	List	73-84" Model	List	85-96" Model	List
TA 65C 0-36 SS	\$1080	TA 65C 37-48 SS	\$1435	TA 65C 49-60 SS	\$1795	TA 65C 61-72 SS	\$2155	TA 65C 73-84 SS	\$2515	TA 65C 85-96 SS	\$2870
TA 65C 0-36 PS	\$1210	TA 65C 37-48 PS	\$1610	TA 65C 49-60 PS	\$2015	TA 65C 61-72 PS	\$2415	TA 65C 73-84 PS	\$2820	TA 65C 85-96 PS	\$3220
TA 65C 0-36 ORB	\$1210	TA 65C 37-48 ORB	\$1610	TA 65C 49-60 ORB	\$2015	TA 65C 61-72 ORB	\$2415	TA 65C 73-84 ORB	\$2820	TA 65C 85-96 ORB	\$3220
TA 65C 0-36 SB	\$1210	TA 65C 37-48 SB	\$1610	TA 65C 49-60 SB	\$2015	TA 65C 61-72 SB	\$2415	TA 65C 73-84 SB	\$2820	TA 65C 85-96 SB	\$3220
TA 65C 0-36 BK	\$1210	TA 65C 37-48 BK	\$1610	TA 65C 49-60 BK	\$2015	TA 65C 61-72 BK	\$2415	TA 65C 73-84 BK	\$2820	TA 65C 85-96 BK	\$3220
For custom length from 0" to 36-15/16"		For custom length from 37" to 48-15/16"		For custom length from 49" to 60-15/16"		For custom length from 61" to 72-15/16"		For custom length from 73" to 84-15/16"		For custom length from 85" to 96-15/16"	

Marc Newson, one of the most acclaimed and influential product designers of his generation, has collaborated with Infinity Drain on an exclusive line of linear drain covers. The hexagonal pattern is seen throughout Marc Newson's body of work and produces an intricate detail that will highlight any shower.

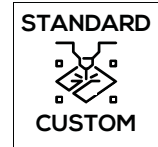


MA 65 Grate: Marc Newson ($\frac{3}{4}$ " depth for tile) - 16 Gauge 304L Stainless Steel
Fits into XC 65, FC 65, FCS 65, FCB 65, FCH 65, OC 65, OCS 65, and OCH 65 channels.

Marc Newson.

0-36" Model	List	37-48" Model	List	49-60" Model	List	61-72" Model	List	73-84" Model	List	85-96" Model	List
MA 65C 0-36 SS	\$345	MA 65C 37-48 SS	\$455	MA 65C 49-60 SS	\$570	MA 65C 61-72 SS	\$685	MA 65C 73-84 SS	\$800	MA 65C 85-96 SS	\$910
MA 65C 0-36 PS	\$580	MA 65C 37-48 PS	\$770	MA 65C 49-60 PS	\$965	MA 65C 61-72 PS	\$1155	MA 65C 73-84 PS	\$1350	MA 65C 85-96 PS	\$1540
MA 65C 0-36 ORB	\$580	MA 65C 37-48 ORB	\$770	MA 65C 49-60 ORB	\$965	MA 65C 61-72 ORB	\$1155	MA 65C 73-84 ORB	\$1350	MA 65C 85-96 ORB	\$1540
MA 65C 0-36 SB	\$580	MA 65C 37-48 SB	\$770	MA 65C 49-60 SB	\$965	MA 65C 61-72 SB	\$1155	MA 65C 73-84 SB	\$1350	MA 65C 85-96 SB	\$1540
MA 65C 0-36 BK	\$580	MA 65C 37-48 BK	\$770	MA 65C 49-60 BK	\$965	MA 65C 61-72 BK	\$1155	MA 65C 73-84 BK	\$1350	MA 65C 85-96 BK	\$1540
For custom length from 0" to 36-15/16"		For custom length from 37" to 48-15/16"		For custom length from 49" to 60-15/16"		For custom length from 61" to 72-15/16"		For custom length from 73" to 84-15/16"		For custom length from 85" to 96-15/16"	

Custom Grates



Infinity Drain perforated grates are made from 16 gauge, 304L stainless steel. Available in multiple design options and finishes, decorative perforated patterns appeal to a broad range of design sensibilities.



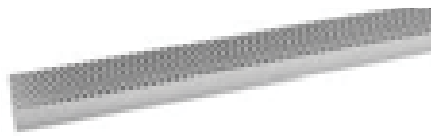
UA 65 Grate: Slotted Pattern (2 1/2" width, 3/4" height).
Fits into XC 65, FC 65, FCS 65, FCB 65, FCH 65, OC 65, OCS 65, and OCH 65 channels.

0-36" Model	List	37-48" Model	List	49-60" Model	List	61-72" Model	List	73-84" Model	List	85-96" Model	List
UA 65C 0-36 SS	\$345	UA 65C 37-48 SS	\$455	UA 65C 49-60 SS	\$570	UA 65C 61-72 SS	\$685	UA 65C 73-84 SS	\$800	UA 65C 85-96 SS	\$910
UA 65C 0-36 PS	\$580	UA 65C 37-48 PS	\$770	UA 65C 49-60 PS	\$965	UA 65C 61-72 PS	\$1155	UA 65C 73-84 PS	\$1350	UA 65C 85-96 PS	\$1540
UA 65C 0-36 ORB	\$580	UA 65C 37-48 ORB	\$770	UA 65C 49-60 ORB	\$965	UA 65C 61-72 ORB	\$1155	UA 65C 73-84 ORB	\$1350	UA 65C 85-96 ORB	\$1540
UA 65C 0-36 SB	\$580	UA 65C 37-48 SB	\$770	UA 65C 49-60 SB	\$965	UA 65C 61-72 SB	\$1155	UA 65C 73-84 SB	\$1350	UA 65C 85-96 SB	\$1540
UA 65C 0-36 BK	\$580	UA 65C 37-48 BK	\$770	UA 65C 49-60 BK	\$965	UA 65C 61-72 BK	\$1155	UA 65C 73-84 BK	\$1350	UA 65C 85-96 BK	\$1540
For custom length from 0" to 36-15/16"		For custom length from 37" to 48-15/16"		For custom length from 49" to 60-15/16"		For custom length from 61" to 72-15/16"		For custom length from 73" to 84-15/16"		For custom length from 85" to 96-15/16"	



EA 65 Grate: Offset Slotted Pattern (2 1/2" width, 3/4" height).
Fits into XC 65, FC 65, FCS 65, FCB 65, FCH 65, OC 65, OCS 65, and OCH 65 channels.

0-36" Model	List	37-48" Model	List	49-60" Model	List	61-72" Model	List	73-84" Model	List	85-96" Model	List
EA 65C 0-36 SS	\$345	EA 65C 37-48 SS	\$455	EA 65C 49-60 SS	\$570	EA 65C 61-72 SS	\$685	EA 65C 73-84 SS	\$800	EA 65C 85-96 SS	\$910
EA 65C 0-36 PS	\$580	EA 65C 37-48 PS	\$770	EA 65C 49-60 PS	\$965	EA 65C 61-72 PS	\$1155	EA 65C 73-84 PS	\$1350	EA 65C 85-96 PS	\$1540
EA 65C 0-36 ORB	\$580	EA 65C 37-48 ORB	\$770	EA 65C 49-60 ORB	\$965	EA 65C 61-72 ORB	\$1155	EA 65C 73-84 ORB	\$1350	EA 65C 85-96 ORB	\$1540
EA 65C 0-36 SB	\$580	EA 65C 37-48 SB	\$770	EA 65C 49-60 SB	\$965	EA 65C 61-72 SB	\$1155	EA 65C 73-84 SB	\$1350	EA 65C 85-96 SB	\$1540
EA 65C 0-36 BK	\$580	EA 65C 37-48 BK	\$770	EA 65C 49-60 BK	\$965	EA 65C 61-72 BK	\$1155	EA 65C 73-84 BK	\$1350	EA 65C 85-96 BK	\$1540
For custom length from 0" to 36-15/16"		For custom length from 37" to 48-15/16"		For custom length from 49" to 60-15/16"		For custom length from 61" to 72-15/16"		For custom length from 73" to 84-15/16"		For custom length from 85" to 96-15/16"	



PA 65 Grate: Circle Pattern (2 1/2" width, 3/4" height).
Fits into XC 65, FC 65, FCS 65, FCB 65, FCH 65, OC 65, OCS 65, and OCH 65 channels.

0-36" Model	List	37-48" Model	List	49-60" Model	List	61-72" Model	List	73-84" Model	List	85-96" Model	List
PA 65C 0-36 SS	\$345	PA 65C 37-48 SS	\$455	PA 65C 49-60 SS	\$570	PA 65C 61-72 SS	\$685	PA 65C 73-84 SS	\$800	PA 65C 85-96 SS	\$910
PA 65C 0-36 PS	\$580	PA 65C 37-48 PS	\$770	PA 65C 49-60 PS	\$965	PA 65C 61-72 PS	\$1155	PA 65C 73-84 PS	\$1350	PA 65C 85-96 PS	\$1540
PA 65C 0-36 ORB	\$580	PA 65C 37-48 ORB	\$770	PA 65C 49-60 ORB	\$965	PA 65C 61-72 ORB	\$1155	PA 65C 73-84 ORB	\$1350	PA 65C 85-96 ORB	\$1540
PA 65C 0-36 SB	\$580	PA 65C 37-48 SB	\$770	PA 65C 49-60 SB	\$965	PA 65C 61-72 SB	\$1155	PA 65C 73-84 SB	\$1350	PA 65C 85-96 SB	\$1540
PA 65C 0-36 BK	\$580	PA 65C 37-48 BK	\$770	PA 65C 49-60 BK	\$965	PA 65C 61-72 BK	\$1155	PA 65C 73-84 BK	\$1350	PA 65C 85-96 BK	\$1540
For custom length from 0" to 36-15/16"		For custom length from 37" to 48-15/16"		For custom length from 49" to 60-15/16"		For custom length from 61" to 72-15/16"		For custom length from 73" to 84-15/16"		For custom length from 85" to 96-15/16"	

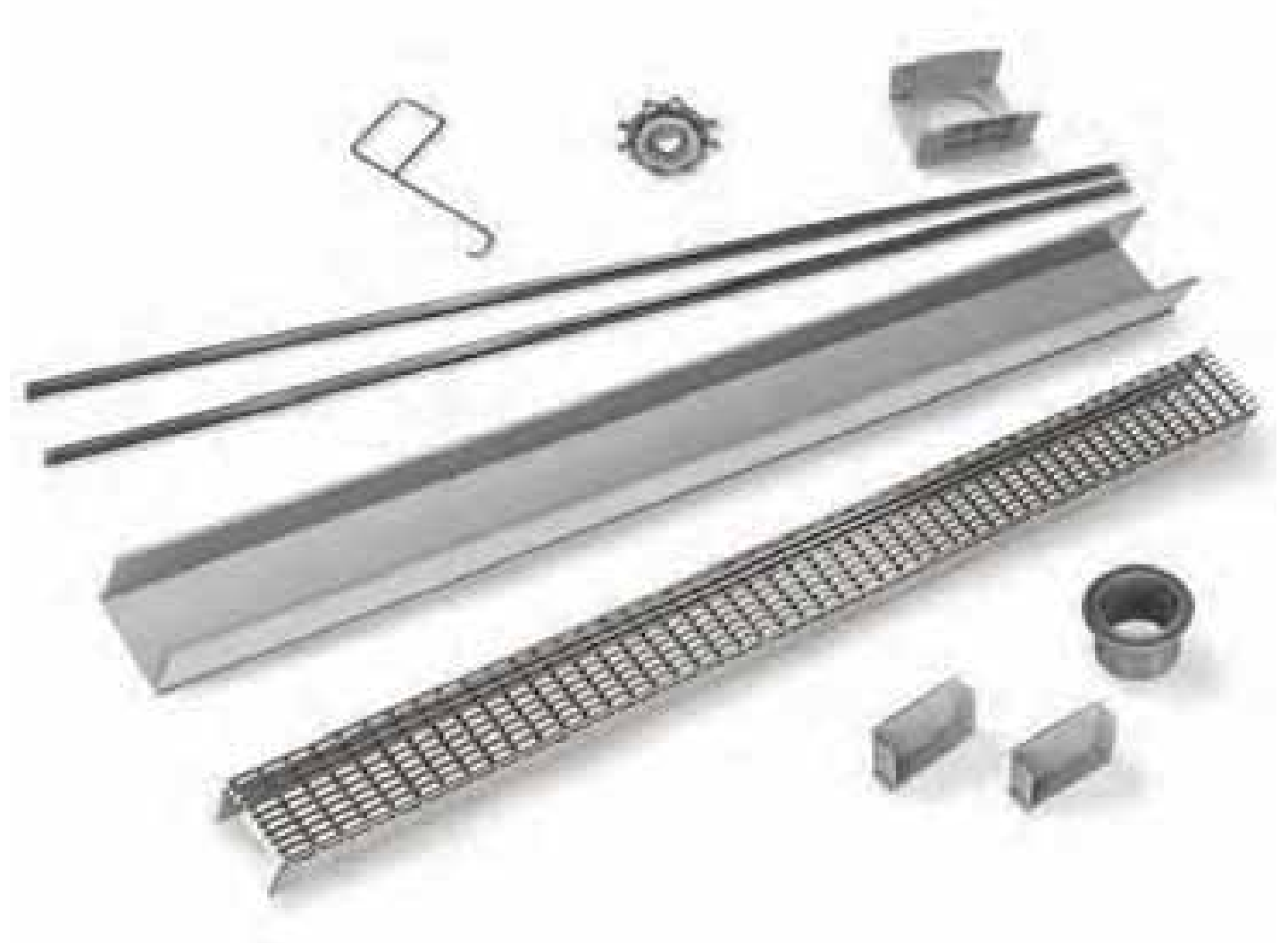
The Solid grate showcases a 3/16 inch thick, fully stainless steel cover. A minimally sized gap surrounds the grate on all sides to provide the necessary drainage to evacuate water efficiently.



BA 65 Grate: Solid Stainless Steel (2 1/2" width, 3/4" height) - 7 Gauge 304L Stainless Steel
Fits into XC 65, FC 65, FCS 65, FCB 65, FCH 65, OC 65, OCS 65, and OCH 65 channels.

0-36" Model	List	37-48" Model	List	49-60" Model	List	61-72" Model	List	73-84" Model	List	85-96" Model	List
BA 65C 0-36 SS	\$1050	BA 65C 37-48 SS	\$1400	BA 65C 49-60 SS	\$1750	BA 65C 61-72 SS	\$2100	BA 65C 73-84 SS	\$2450	BA 65C 85-96 SS	\$2800
BA 65C 0-36 PS	\$1365	BA 65C 37-48 PS	\$1820	BA 65C 49-60 PS	\$2275	BA 65C 61-72 PS	\$2730	BA 65C 73-84 PS	\$3185	BA 65C 85-96 PS	\$3640
BA 65C 0-36 ORB	\$1365	BA 65C 37-48 ORB	\$1820	BA 65C 49-60 ORB	\$2275	BA 65C 61-72 ORB	\$2730	BA 65C 73-84 ORB	\$3185	BA 65C 85-96 ORB	\$3640
BA 65C 0-36 SB	\$1365	BA 65C 37-48 SB	\$1820	BA 65C 49-60 SB	\$2275	BA 65C 61-72 SB	\$2730	BA 65C 73-84 SB	\$3185	BA 65C 85-96 SB	\$3640
BA 65C 0-36 BK	\$1365	BA 65C 37-48 BK	\$1820	BA 65C 49-60 BK	\$2275	BA 65C 61-72 BK	\$2730	BA 65C 73-84 BK	\$3185	BA 65C 85-96 BK	\$3640
For custom length from 0" to 36-15/16"		For custom length from 37" to 48-15/16"		For custom length from 49" to 60-15/16"		For custom length from 61" to 72-15/16"		For custom length from 73" to 84-15/16"		For custom length from 85" to 96-15/16"	

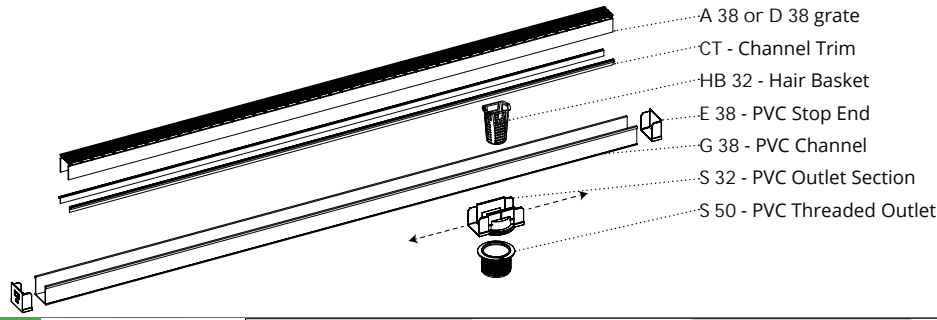
Linear Drain



Components

Components

S-AG 38 and S-DG 38



Finishes	
SS	Satin Stainless
PS	Polished Stainless
ORB	Oil Rubbed Bronze
SB	Satin Bronze
BK	Matte Black

A 38 3 mm Wedge Wire	36" Grate	List	48" Grate	List	60" Grate	List	72" Grate	List
	A 3836 SS	\$570	A 3848 SS	\$760	A 3860 SS	\$950	A 3872 SS	\$1140
	A 3836 PS	\$720	A 3848 PS	\$960	A 3860 PS	\$1200	A 3872 PS	\$1440
	A 3836 ORB	\$720	A 3848 ORB	\$960	A 3860 ORB	\$1200	A 3872 ORB	\$1440
	A 3836 SB	\$720	A 3848 SB	\$960	A 3860 SB	\$1200	A 3872 SB	\$1440
	A 3836 BK	\$720	A 3848 BK	\$960	A 3860 BK	\$1200	A 3872 BK	\$1440
(35 7/8" L x 1 1/2" W x 1 1/2" H)		(47 7/8" L x 1 1/2" W x 1 1/2" H)		(59 7/8" L x 1 1/2" W x 1 1/2" H)		(71 7/8" L x 1 1/2" W x 1 1/2" H)		

GRATES

HAIR MAINTENANCE KIT	
Component	List
HMK-38-A	\$20
Includes user guide, AKEY Lift-out key, and HB 32.	
For +72" kits use HMK-38-2A	

D 38 Circle	48" Grate	List	60" Grate	List	96" Grate	List
	D 3848 SS	\$260	D 3860 SS	\$325	D 3896 SS	\$520
	D 3848 PS	\$440	D 3860 PS	\$550	D 3896 PS	\$880
	D 3848 ORB	\$440	D 3860 ORB	\$550	D 3896 ORB	\$880
	D 3848 SB	\$440	D 3860 SB	\$550	D 3896 SB	\$880
	D 3848 BK	\$440	D 3860 BK	\$550	D 3896 BK	\$880
(47 7/8" L x 1 1/2" W x 1 1/2" H)		(59 7/8" L x 1 1/2" W x 1 1/2" H)		(95 7/8" L x 1 1/2" W x 1 1/2" H)		

A 38 & D 38 grates both fit into G 38 channel.

HAIR MAINTENANCE KIT	
Component	List
HMK-38-D	\$20
Includes user guide, DKEY Lift-out key, and HB 32.	
For +72" kits use HMK-38-2D	

G 38 PVC Channel	36" Channel	List	48" Channel	List	60" Channel	List	72" Channel	List
	G 3836	\$70	G 3848	\$95	G 3860	\$115	G 3872	\$140
	(33 13/16" L x 1 7/8" W x 1 5/8" H)		(45 13/16" L x 1 7/8" W x 1 5/8" H)		(57 13/16" L x 1 7/8" W x 1 5/8" H)		(69 13/16" L x 1 7/8" W x 1 5/8" H)	
	96" Channel		List	108" Channel		List		
G 3896		\$190	G 38108		\$215			
(93 13/16" L x 1 7/8" W x 1 5/8" H)		(108" L x 1 7/8" W x 1 5/8" H)						

CHANNELS

Note: The G 38 channel includes the channel spacer (CS 38), for individual channel spacers see page 136 for details and pricing.

PARTS		Component	List		Component	List		Component	List
	E 38	\$5	S 32	\$10	AKEY	\$5	Lift-Out Key	Used with A 38 Grate	
	PVC Stop End for G 38 channel		2 3/8" Outlet Section (also acts as a joiner)						
		Component	List		Component	List		Component	List
S 50	\$10	F 65	\$10	DKEY	\$5	Lift-Out Key	Used with D 38 Grate		
PVC threaded 2" outlet		PVC non-threaded (for direct connect outdoor installation) No-hub connection							
	Component	List		Component	List		Component	List	
GJC 38	\$15	GAM 38	\$25	GFAS 38	\$75	Outdoor Anchor			
PVC straight joiner strip for G 38 channel		PVC 90° angle joiner for G 38 channel							
	Component	List		Component	List		Component	List	
HB 32	\$5	CT		CS 38		Channel Spacer	See page 136 for details		
2" Hair Basket		Channel Trim See page 140 for details							

NEW Roughts Only Kits

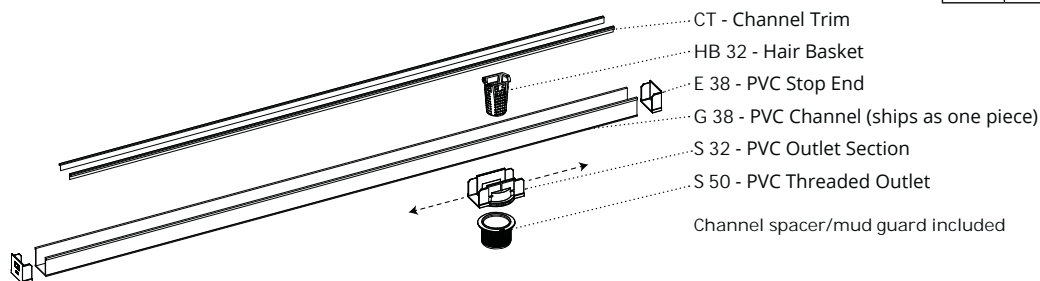
S-AG 38 and S-DG 38

Site Sizable Series Roughts Only Kits.


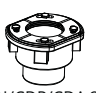
The Rough Only Kits include the PVC components and channel trim for the S-AG 38 and S-DG 38 series. Add a clamp down drain to complete components needed for installation.

The grate and hair maintenance kit can be purchased separately and are not needed for installation. See page 127 for grate options and hair maintenance kits that are compatible with the Rough Only Kits listed on this page.

Finishes	
SS	Satin Stainless
PS	Polished Stainless
ORB	Oil Rubbed Bronze
SB	Satin Bronze
BK	Matte Black



ROUGHS

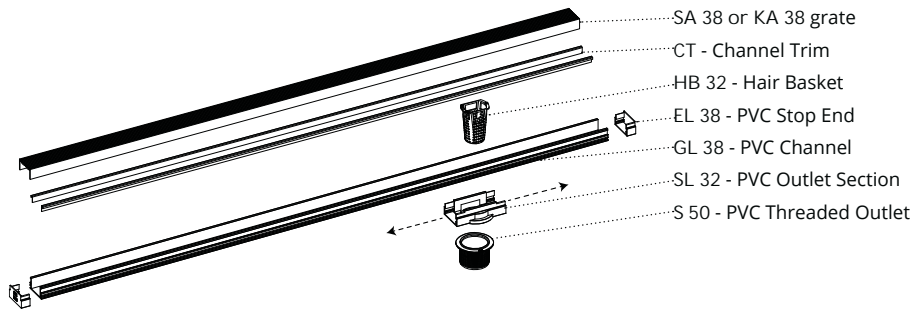
Description	Model	Finish	Lbs	List
36" Roughts Only Kit Includes: (36 1/8" L x 1 7/8" W x 1 9/16" H)	RG 3836 SS	Satin Stainless	7	\$120
	RG 3836 PS	Polished Stainless		\$120
1 - G 3836 PVC Channel	1 - S 50 PVC Threaded Outlet	RG 3836 ORB		\$120
2 - E 38 PVC Stop End	2 - CT 36 Channel Trim	RG 3836 SB		\$120
1 - S 32 PVC Outlet Section	1 - HB 32 Hair Basket	RG 3836 BK		\$120
1 - CS 3836 Channel Spacer				
48" Roughts Only Kit Includes: (48 1/8" L x 1 7/8" W x 1 9/16" H)	RG 3848 SS	Satin Stainless	9	\$145
	RG 3848 PS	Polished Stainless		\$155
1 - G 3848 PVC Channel	1 - S 50 PVC Threaded Outlet	RG 3848 ORB		\$155
2 - E 38 PVC Stop End	2 - CT 48 Channel Trim	RG 3848 SB		\$155
1 - S 32 PVC Outlet Section	1 - HB 32 Hair Basket	RG 3848 BK		\$155
1 - CS 3848 Channel Spacer				
60" Roughts Only Kit Includes: (60 1/8" L x 1 7/8" W x 1 9/16" H)	RG 3860 SS	Satin Stainless	11	\$175
	RG 3860 PS	Polished Stainless		\$185
1 - G 3860 PVC Channel	1 - S 50 PVC Threaded Outlet	RG 3860 ORB		\$185
2 - E 38 PVC Stop End	2 - CT 60 Channel Trim	RG 3860 SB		\$185
1 - S 32 PVC Outlet Section	1 - HB 32 Hair Basket	RG 3860 BK		\$185
1 - CS 3860 Channel Spacer				
72" Roughts Only Kit Includes: (72 1/8" L x 1 7/8" W x 1 9/16" H)	RG 3872 SS	Satin Stainless	18	\$230
	RG 3872 PS	Polished Stainless		\$240
1 - G 3872 PVC Channel	2 - S 50 PVC Threaded Outlet	RG 3872 ORB		\$240
2 - E 38 PVC Stop End	2 - CT 72 Channel Trim	RG 3872 SB		\$240
2 - S 32 PVC Outlet Section	2 - HB 32 Hair Basket	RG 3872 BK		\$240
1 - CS 3872 Channel Spacer				
	(Two outlets)			
96" Roughts Only Kit Includes: (96 1/8" L x 1 7/8" W x 1 9/16" H)	RG 3896 SS	Satin Stainless	22	\$300
	RG 3896 PS	Polished Stainless		\$310
1 - G 3896 PVC Channel	2 - S 50 PVC Threaded Outlet	RG 3896 ORB		\$310
2 - E 38 PVC Stop End	2 - CT 96 Channel Trim	RG 3896 SB		\$310
2 - S 32 PVC Outlet Section	2 - HB 32 Hair Basket	RG 3896 BK		\$310
1 - CS 3896 Channel Spacer				
	(Two outlets)			
	Drain Body	CDI 22 - Cast Iron 2" throat, 2" no hub connect	4	\$85
	not included in kit SKU. If not provided, add...	CDIH 22 - (For Hot Mop) Cast Iron 2" throat, 2" no hub connect	4	\$85
		CDA 22 - ABS 2" throat, 2" standard connect	2	\$65
		CDP 22 - PVC 2" throat, 2" standard connect	2	\$65

To order the roughs without the channel trim use PVC Components Only Kit.

PVC Components Only Kit Includes the G 38 PVC Channel, E 38 PVC Stop Ends, S 32 PVC Outlet Section(s), CS 38 Channel Spacer, S 50 PVC Threaded Outlet(s), and HB 32 Hair Basket(s).	RG 3836	\$100
	RG 3848	\$125
	RG 3860	\$145
	RG 3872 (Two outlets)	\$190
	RG 3896 (Two outlets)	\$240

Components

S-LAG 38 and S-LT 38



Finishes	
SS	Satin Stainless
PS	Polished Stainless
ORB	Oil Rubbed Bronze
SB	Satin Bronze
BK	Matte Black

GRATES	SA 38 2mm Wedge Wire	36" Grate	List	48" Grate	List	60" Grate	List	72" Grate	List
		SA 3836 SS	\$570	SA 3848 SS	\$760	SA 3860 SS	\$950	SA 3872 SS	\$1140
		SA 3836 PS	\$720	SA 3848 PS	\$960	SA 3860 PS	\$1200	SA 3872 PS	\$1440
		SA 3836 ORB	\$720	SA 3848 ORB	\$960	SA 3860 ORB	\$1200	SA 3872 ORB	\$1440
		SA 3836 SB	\$720	SA 3848 SB	\$960	SA 3860 SB	\$1200	SA 3872 SB	\$1440
		SA 3836 BK	\$720	SA 3848 BK	\$960	SA 3860 BK	\$1200	SA 3872 BK	\$1440
		(35 7/8" L x 1 1/2" W x 1" H)		(47 7/8" L x 1 1/2" W x 1" H)		(59 7/8" L x 1 1/2" W x 1" H)		(71 7/8" L x 1 1/2" W x 1" H)	

HAIR MAINTENANCE KIT	
+	Component List
	HMK-38-A \$20
	Includes user guide, AKEY Lift-out key, and HB 32.

For +72" kits use HMK-38-2A

GRATES	KA 38 Offset Slotted	36" Grate	List	48" Grate	List	60" Grate	List	72" Grate	List	96" Grate	List
		KA 3836 SS	\$195	KA 3848 SS	\$260	KA 3860 SS	\$325	KA 3872 SS	\$390	KA 3896 SS	\$520
		KA 3836 PS	\$330	KA 3848 PS	\$440	KA 3860 PS	\$550	KA 3872 PS	\$660	KA 3896 PS	\$880
		KA 3836 ORB	\$330	KA 3848 ORB	\$440	KA 3860 ORB	\$550	KA 3872 ORB	\$660	KA 3896 ORB	\$880
		KA 3836 SB	\$330	KA 3848 SB	\$440	KA 3860 SB	\$550	KA 3872 SB	\$660	KA 3896 SB	\$880
		KA 3836 BK	\$330	KA 3848 BK	\$440	KA 3860 BK	\$550	KA 3872 BK	\$660	KA 3896 BK	\$880
		(35 7/8" L x 1 1/2" W x 1" H)		(47 7/8" L x 1 1/2" W x 1" H)		(59 7/8" L x 1 1/2" W x 1" H)		(71 7/8" L x 1 1/2" W x 1" H)		(95 7/8" L x 1 1/2" W x 1" H)	

HAIR MAINTENANCE KIT	
+	Component List
	HMK-38-A \$20
	Includes user guide, AKEY Lift-out key, and HB 32.

For +72" kits use HMK-38-2A

CHANNELS	GL 38 PVC Channel	36" Channel	List	48" Channel	List	60" Channel	List	72" Channel	List
		GL 3836	\$70	GL 3848	\$95	GL 3860	\$115	GL 3872	\$140
		(33 3/16" L x 1 7/8" W x 1 1/8" H)		(45 3/16" L x 1 7/8" W x 1 1/8" H)		(57 3/16" L x 1 7/8" W x 1 1/8" H)		(69 3/16" L x 1 7/8" W x 1 5/8" H)	
		96" Channel	List	108" Channel	List				
	GL 3896	\$190	GL 38108	\$215					
	(93 3/16" L x 1 7/8" W x 1 1/8" H)		(108" L x 1 7/8" W x 1 1/8" H)						

Note: The GL 38 channel includes the channel spacer (CS 38), for individual channel spacers see page 136 for details and pricing.

PARTS	Component List		Component List		Component List	
		EL 38 \$5		SL 32 \$10		AKEY \$5
		PVC Stop End for GL 38 channel		2 13/16" Outlet Section (also acts as a joiner)		Lift-Out Key Used with SA/KA 38 Grate
		S 50 \$10		F 65 \$10		CS 38
	PVC threaded 2" outlet		PVC non-threaded (For direct connect outdoor installation) No-hub connection		Channel Spacer See page 136 for details	
	GJL 38 \$15		GAL 38 \$25		HB 32 \$5	
	PVC straight joiner strip for G 38 channel		PVC 90° angle joiner for GL 38 channel		2" Hair Basket	
	CT					
	Channel Trim See pg 140 for details					

NEW Roughs Only Kits

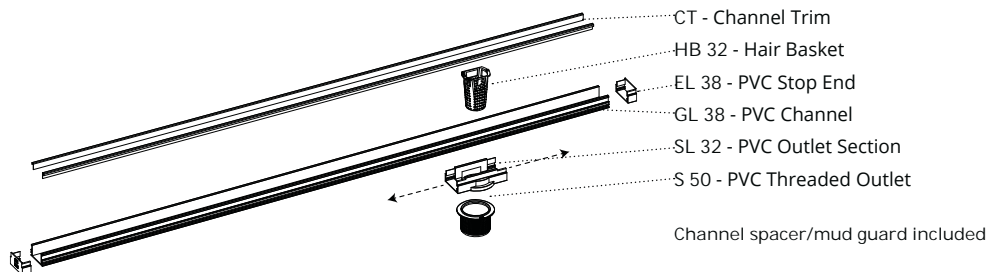
S-LAG 38 and S-LT 38

Site Sizable Series Roughs Only Kits.

The Rough Only Kits include the PVC components and channel trim for the S-LAG 38 and S-LT 38 series. Add a clamp down drain to complete components needed for installation.

The grate and hair maintenance kit can be purchased separately and are not needed for installation. See page 129 for grate options and hair maintenance kits that are compatible with the Rough Only Kits listed on this page.

Finishes	
SS	Satin Stainless
PS	Polished Stainless
ORB	Oil Rubbed Bronze
SB	Satin Bronze
BK	Matte Black



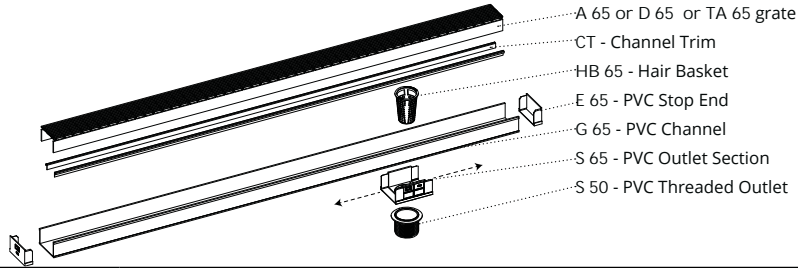
ROUGH	Description	Model	Finish	Lbs	List
	36" Roughs Only Kit Includes: (36 1/8" L x 1 15/16" W x 1" H)	RG-L 3836 SS	Satin Stainless	7	\$120
		RG-L 3836 PS	Polished Stainless		\$120
	1 - GL 3836 PVC Channel	1 - S 50 PVC Threaded Outlet	RG-L 3836 ORB	Oil Rubbed Bronze	\$120
	2 - EL 38 PVC Stop End	2 - CT 36 Channel Trim	RG-L 3836 SB	Satin Bronze	\$120
	1 - SL 32 PVC Outlet Section	1 - HB 32 Hair Basket	RG-L 3836 BK	Matte Black	\$120
	1 - CS 3836 Channel Spacer				
	48" Roughs Only Kit Includes: (48 1/8" L x 1 15/16" W x 1" H)	RG-L 3848 SS	Satin Stainless	9	\$145
		RG-L 3848 PS	Polished Stainless		\$155
	1 - GL 3848 PVC Channel	1 - S 50 PVC Threaded Outlet	RG-L 3848 ORB	Oil Rubbed Bronze	\$155
2 - EL 38 PVC Stop End	2 - CT 48 Channel Trim	RG-L 3848 SB	Satin Bronze	\$155	
1 - SL 32 PVC Outlet Section	1 - HB 32 Hair Basket	RG-L 3848 BK	Matte Black	\$155	
1 - CS 3848 Channel Spacer					
60" Roughs Only Kit Includes: (60 1/8" L x 1 15/16" W x 1" H)	RG-L 3860 SS	Satin Stainless	11	\$175	
	RG-L 3860 PS	Polished Stainless		\$185	
1 - GL 3860 PVC Channel	1 - S 50 PVC Threaded Outlet	RG-L 3860 ORB	Oil Rubbed Bronze	\$185	
2 - EL 38 PVC Stop End	2 - CT 60 Channel Trim	RG-L 3860 SB	Satin Bronze	\$185	
1 - SL 32 PVC Outlet Section	1 - HB 32 Hair Basket	RG-L 3860 BK	Matte Black	\$185	
1 - CS 3860 Channel Spacer					
72" Roughs Only Kit Includes: (72 1/8" L x 1 15/16" W x 1" H)	RG-L 3872 SS	Satin Stainless	18	\$230	
	RG-L 3872 PS	Polished Stainless		\$240	
1 - GL 3872 PVC Channel	2 - S 50 PVC Threaded Outlet	RG-L 3872 ORB	Oil Rubbed Bronze	\$240	
2 - EL 38 PVC Stop End	2 - CT 72 Channel Trim	RG-L 3872 SB	Satin Bronze	\$240	
2 - SL 32 PVC Outlet Section	2 - HB 32 Hair Basket	RG-L 3872 BK	Matte Black	\$240	
1 - CS 3872 Channel Spacer					
	(Two outlets)				
96" Roughs Only Kit Includes: (96 1/8" L x 1 15/16" W x 1" H)	RG-L 3896 SS	Satin Stainless	22	\$300	
	RG-L 3896 PS	Polished Stainless		\$310	
1 - GL 3896 PVC Channel	2 - S 50 PVC Threaded Outlet	RG-L 3896 ORB	Oil Rubbed Bronze	\$310	
2 - EL 38 PVC Stop End	2 - CT 96 Channel Trim	RG-L 3896 SB	Satin Bronze	\$310	
2 - SL 32 PVC Outlet Section	2 - HB 32 Hair Basket	RG-L 3896 BK	Matte Black	\$310	
1 - CS 3896 Channel Spacer					
	(Two outlets)				
	Drain Body	CDI 22 - Cast Iron 2" throat, 2" no hub connect		4	\$85
	not included in kit SKU if not provided, add...	CDIH 22 - (For Hot Mop) Cast Iron 2" throat, 2" no hub connect		4	\$85
		CDA 22 - ABS 2" throat, 2" standard connect		2	\$65
		CDP 22 - PVC 2" throat, 2" standard connect		2	\$65

To order the roughs without the channel trim use PVC Components Only Kit.

PVC Components Only Kit Includes the GL 38 PVC Channel, EL 38 PVC Stop Ends, SL 32 PVC Outlet Section(s), CS 38 Channel Spacer, S 50 PVC Threaded Outlet(s), and HB 32 Hair Basket(s).	RG-L 3836	\$100
	RG-L 3848	\$125
	RG-L 3860	\$145
	RG-L 3872 (Two outlets)	\$190
	RG-L 3896 (Two outlets)	\$240

Components

S-AG 65, S-DG 65, and S-TIF 65



Finishes	
SS	Satin Stainless
PS	Polished Stainless
ORB	Oil Rubbed Bronze
SB	Satin Bronze
BK	Matte Black

GRATES	Image	36" Grate		48" Grate		60" Grate		72" Grate	
		Component	List	Component	List	Component	List	Component	List
A 65 3mm Wedge Wire		A 6536 SS	\$735	A 6548 SS	\$980	A 6560 SS	\$1225	A 6572 SS	\$1470
		A 6536 PS	\$885	A 6548 PS	\$1180	A 6560 PS	\$1475	A 6572 PS	\$1770
		A 6536 ORB	\$885	A 6548 ORB	\$1180	A 6560 ORB	\$1475	A 6572 ORB	\$1770
		A 6536 SB	\$885	A 6548 SB	\$1180	A 6560 SB	\$1475	A 6572 SB	\$1770
		A 6536 BK	\$885	A 6548 BK	\$1180	A 6560 BK	\$1475	A 6572 BK	\$1770
A 65, D 65, and TA 65 fit into G 65 channel.		(35 7/8" L x 2 1/2" W x 1 1/2" H)		(47 7/8" L x 2 1/2" W x 1 1/2" H)		(59 7/8" L x 2 1/2" W x 1 1/2" H)		(71 7/8" L x 2 1/2" W x 1 1/2" H)	
D 65 Circle		D 6548 SS	\$260	D 6560 SS	\$325	D 6596 SS	\$520		
		D 6548 PS	\$440	D 6560 PS	\$550	D 6596 PS	\$880		
		D 6548 ORB	\$440	D 6560 ORB	\$550	D 6596 ORB	\$880		
		D 6548 SB	\$440	D 6560 SB	\$550	D 6596 SB	\$880		
		D 6548 BK	\$440	D 6560 BK	\$550	D 6596 BK	\$880		
A 65, D 65, and TA 65 fit into G 65 channel.		(47 7/8" L x 2 1/2" W x 1 1/2" H)		(59 7/8" L x 2 1/2" W x 1 1/2" H)		(95 7/8" L x 2 1/2" W x 1 1/2" H)			
TA 65 Tile Insert		TA 6540 SS	\$740	TA 6548 SS	\$880	TA 6560 SS	\$1085		
		TA 6540 PS	\$820	TA 6548 PS	\$980	TA 6560 PS	\$1210		
		TA 6540 ORB	\$820	TA 6548 ORB	\$980	TA 6560 ORB	\$1210		
		TA 6540 SB	\$820	TA 6548 SB	\$980	TA 6560 SB	\$1210		
		TA 6540 BK	\$820	TA 6548 BK	\$980	TA 6560 BK	\$1210		
A 65, D 65, and TA 65 fit into G 65 channel.		(39 7/8" L x 2 1/2" W x 1 1/2" H)		(47 7/8" L x 2 1/2" W x 1 1/2" H)		(59 7/8" L x 2 1/2" W x 1 1/2" H)			

HAIR MAINTENANCE KIT	
Component	List
HMK-65-A	\$20
Includes user guide, AKEY Lift-out key, and HB 65.	
For +72" kits use HMK-65-2A	

HAIR MAINTENANCE KIT	
Component	List
HMK-65-D	\$20
Includes user guide, DKEY Lift-out key, and HB 65.	
For +72" kits use HMK-65-2D	

For +72" kits use HMK-65-2D

HAIR MAINTENANCE KIT	
Component	List
HMK-65-A	\$20
Includes user guide, AKEY Lift-out key, and HB 65.	
For +72" kits use HMK-65-2A	

For +72" kits use HMK-65-2A

TA 65 tile insert frame includes TA Ends (ET 65)

CHANNELS	Image	36" Channel		40" Channel		48" Channel		60" Channel		72" Channel	
		Component	List	Component	List	Component	List	Component	List	Component	List
G 65 PVC Channel		G 6536	\$70	G 6540	\$76	G 6548	\$95	G 6560	\$115	G 6572	\$140
		(33 13/16" L x 2 15/16" W x 1 5/8" H)		(37 13/16" L x 2 15/16" W x 1 5/8" H)		(45 13/16" L x 2 15/16" W x 1 5/8" H)		(57 13/16" L x 2 15/16" W x 1 5/8" H)		(69 13/16" L x 2 15/16" W x 1 5/8" H)	
		G 6580	\$157	G 6596	\$190	G 65108	\$215				
		(77 13/16" L x 2 15/16" W x 1 5/8" H)		(93 13/16" L x 2 15/16" W x 1 5/8" H)		(108" L x 2 15/16" W x 1 5/8" H)					

Note: The G 65 channel includes the channel spacer (CS 65), for individual channel spacers see page 136 for details and pricing.

PARTS	Image	Component List	
		E 65	\$5
	PVC Stop End for G 65 channel		
	Image	Component List	
S 50		\$10	
PVC threaded 2" outlet			
Image	Component List		
	GJC 65	\$15	
PVC straight joiner strip for G 65 channel			
Image	Component List		
	HB 65	\$5	
2" Hair Basket			

Image	Component List	
	S 65	\$10
2 3/8" Outlet Section (also acts as a joiner)		
Image	Component List	
	F 65	\$10
PVC non-threaded (for direct connect outdoor installation) No-hub connection		
Image	Component List	
	GAM 65	\$25
PVC 90° angle joiner for G 65 channel		
Image	Component List	
	GFAS 65	\$75
Outdoor Anchor		

Image	Component List	
	AKEY	\$5
Lift-Out Key Used with TA/A 65 Grate		
Image	Component List	
	DKEY	\$5
Lift-Out Key Used with D 65 Grate		
Image	End Section	List
	ET 65 SS	\$25
	ET 65 PS	\$25
	ET 65 ORB	\$25
	ET 65 SB	\$25
ET 65 BK	\$25	
Image	Component	
	CS 65	See page 136
Image	CT	See page 140

NEW Roughs Only Kits

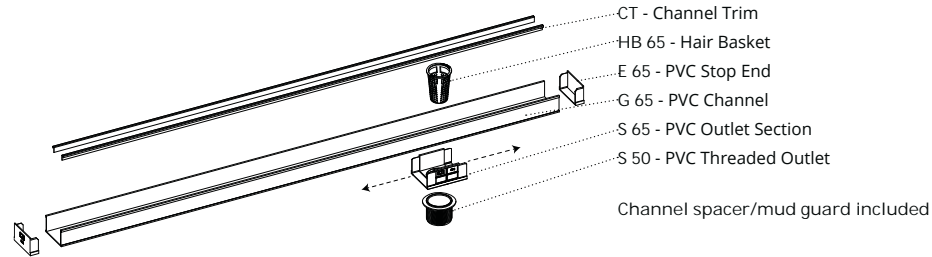
S-AG 65, S-DG 65, and S-TIF 65

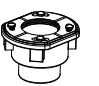
Site Sizable Series Roughs Only Kits.

The Rough Only Kits include the PVC components and channel trim for the S-AG 65, S-DG 65 and S-TIF 65 series. Add a clamp down drain to complete components needed for installation.

The grate and hair maintenance kit can be purchased separately and are not needed for installation. See page 131 for grate options and hair maintenance kits that are compatible with the Rough Only Kits listed on this page.

Finishes	
SS	Satin Stainless
PS	Polished Stainless
ORB	Oil Rubbed Bronze
SB	Satin Bronze
BK	Matte Black



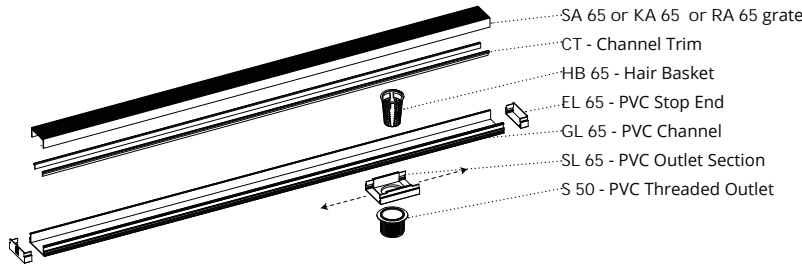
ROUGHS	Description	Model	Finish	Lbs	List
	36" Roughs Only Kit Includes: (36 1/8" L x 1 15/16" W x 1" H)	RG 6536 SS	Satin Stainless	7	\$120
		RG 6536 PS	Polished Stainless		\$120
	1 - G 6536 PVC Channel	1 - S 50 PVC Threaded Outlet	RG 6536 ORB	Oil Rubbed Bronze	\$120
	2 - E 65 PVC Stop End	2 - CT 36 Channel Trim	RG 6536 SB	Satin Bronze	\$120
	1 - S 65 PVC Outlet Section	1 - HB 65 Hair Basket	RG 6536 BK	Matte Black	\$120
	1 - CS 6536 Channel Spacer				
	48" Roughs Only Kit Includes: (48 1/8" L x 1 15/16" W x 1" H)	RG 6548 SS	Satin Stainless	9	\$145
		RG 6548 PS	Polished Stainless		\$155
	1 - G 6548 PVC Channel	1 - S 50 PVC Threaded Outlet	RG 6548 ORB	Oil Rubbed Bronze	\$155
2 - E 65 PVC Stop End	2 - CT 48 Channel Trim	RG 6548 SB	Satin Bronze	\$155	
1 - S 65 PVC Outlet Section	1 - HB 65 Hair Basket	RG 6548 BK	Matte Black	\$155	
1 - CS 6548 Channel Spacer					
60" Roughs Only Kit Includes: (60 1/8" L x 1 15/16" W x 1" H)	RG 6560 SS	Satin Stainless	11	\$175	
	RG 6560 PS	Polished Stainless		\$185	
1 - G 6560 PVC Channel	1 - S 50 PVC Threaded Outlet	RG 6560 ORB	Oil Rubbed Bronze	\$185	
2 - E 65 PVC Stop End	2 - CT 60 Channel Trim	RG 6560 SB	Satin Bronze	\$185	
1 - S 65 PVC Outlet Section	1 - HB 65 Hair Basket	RG 6560 BK	Matte Black	\$185	
1 - CS 6560 Channel Spacer					
72" Roughs Only Kit Includes: (72 1/8" L x 1 15/16" W x 1" H)	RG 6572 SS	Satin Stainless	18	\$230	
	RG 6572 PS	Polished Stainless		\$240	
1 - G 6572 PVC Channel	2 - S 50 PVC Threaded Outlet	RG 6572 ORB	Oil Rubbed Bronze	\$240	
2 - E 65 PVC Stop End	2 - CT 72 Channel Trim	RG 6572 SB	Satin Bronze	\$240	
2 - S 65 PVC Outlet Section	2 - HB 65 Hair Basket	RG 6572 BK	Matte Black	\$240	
1 - CS 6572 Channel Spacer					
	(Two outlets)				
96" Roughs Only Kit Includes: (96 1/8" L x 1 15/16" W x 1" H)	RG 6596 SS	Satin Stainless	22	\$300	
	RG 6596 PS	Polished Stainless		\$310	
1 - G 6596 PVC Channel	2 - S 50 PVC Threaded Outlet	RG 6596 ORB	Oil Rubbed Bronze	\$310	
2 - E 65 PVC Stop End	2 - CT 96 Channel Trim	RG 6596 SB	Satin Bronze	\$310	
2 - S 65 PVC Outlet Section	2 - HB 65 Hair Basket	RG 6596 BK	Matte Black	\$310	
1 - CS 6596 Channel Spacer					
	(Two outlets)				
	Drain Body	CDI 22 - Cast Iron 2" throat, 2" no hub connect		4	\$85
	not included in kit SKU if not provided, add...	CDIH 22 - (For Hot Mop) Cast Iron 2" throat, 2" no hub connect		4	\$85
		CDA 22 - ABS 2" throat, 2" standard connect		2	\$65
		CDP 22 - PVC 2" throat, 2" standard connect		2	\$65

To order the roughs without the channel trim use PVC Components Only Kit.

PVC Components Only Kit Includes the G 65 PVC Channel, E 65 PVC Stop Ends, S 65 PVC Outlet Section(s), CS 65 Channel Spacer, S 50 PVC Threaded Outlet(s), and HB 65 Hair Basket(s).	RG 6536	\$100
	RG 6548	\$125
	RG 6560	\$145
	RG 6572 (Two outlets)	\$190
	RG 6596 (Two outlets)	\$240

Components

S-LAG 65, S-LT 65, and S-LTIF 65



Finishes	
SS	Satin Stainless
PS	Polished Stainless
ORB	Oil Rubbed Bronze
SB	Satin Bronze
BK	Matte Black

SA 65 2mm Wedge Wire	36" Grate		48" Grate		60" Grate		72" Grate	
	SA 6536	List	SA 6548	List	SA 6560	List	SA 6572	List
SA 65, KA 65, and RA 65 fit into GL 65 channel.	SA 6536 SS	\$735	SA 6548 SS	\$980	SA 6560 SS	\$1225	SA 6572 SS	\$1470
	SA 6536 PS	\$885	SA 6548 PS	\$1180	SA 6560 PS	\$1475	SA 6572 PS	\$1770
	SA 6536 ORB	\$885	SA 6548 ORB	\$1180	SA 6560 ORB	\$1475	SA 6572 ORB	\$1770
	SA 6536 SB	\$885	SA 6548 SB	\$1180	SA 6560 SB	\$1475	SA 6572 SB	\$1770
	SA 6536 BK	\$885	SA 6548 BK	\$1180	SA 6560 BK	\$1475	SA 6572 BK	\$1770
	(35 3/8" L x 2 1/2" W x 1" H)		(47 7/8" L x 2 1/2" W x 1" H)		(59 7/8" L x 2 1/2" W x 1" H)		(71 7/8" L x 2 1/2" W x 1" H)	

HAIR MAINTENANCE KIT		
Component	List	For +72" kits use HMK-65-2A
HMK-65-A	\$20	
Includes user guide, AKEY Lift-out key, and HB 65.		

KA 65 Offset Slotted	36" Grate		48" Grate		60" Grate		72" Grate		96" Grate	
	KA 6536	List	KA 6548	List	KA 6560	List	KA 6572	List	KA 6596	List
SA 65, KA 65, and RA 65 fit into GL 65 channel.	KA 6536 SS	\$195	KA 6548 SS	\$260	KA 6560 SS	\$325	KA 6572 SS	\$390	KA 6596 SS	\$520
	KA 6536 PS	\$330	KA 6548 PS	\$440	KA 6560 PS	\$550	KA 6572 PS	\$660	KA 6596 PS	\$880
	KA 6536 ORB	\$330	KA 6548 ORB	\$440	KA 6560 ORB	\$550	KA 6572 ORB	\$660	KA 6596 ORB	\$880
	KA 6536 SB	\$330	KA 6548 SB	\$440	KA 6560 SB	\$550	KA 6572 SB	\$660	KA 6596 SB	\$880
	KA 6536 BK	\$330	KA 6548 BK	\$440	KA 6560 BK	\$550	KA 6572 BK	\$660	KA 6596 BK	\$880
	(35 3/8" L x 2 1/2" W x 1" H)		(47 7/8" L x 2 1/2" W x 1" H)		(59 7/8" L x 2 1/2" W x 1" H)		(71 7/8" L x 2 1/2" W x 1" H)		(95 7/8" L x 2 1/2" W x 1" H)	

HAIR MAINTENANCE KIT		
Component	List	For +72" kits use HMK-65-2A
HMK-65-A	\$20	
Includes user guide, AKEY Lift-out key, and HB 65.		

RA 65 Tile Insert	36" Grate		48" Grate		60" Grate	
	RA 6536	List	RA 6548	List	RA 6560	List
SA 65, KA 65, and RA 65 fit into GL 65 channel.	RA 6536 SS	\$675	RA 6548 SS	\$880	RA 6560 SS	\$1085
	RA 6536 PS	\$750	RA 6548 PS	\$980	RA 6560 PS	\$1210
	RA 6536 ORB	\$750	RA 6548 ORB	\$980	RA 6560 ORB	\$1210
	RA 6536 SB	\$750	RA 6548 SB	\$980	RA 6560 SB	\$1210
	RA 6536 BK	\$750	RA 6548 BK	\$980	RA 6560 BK	\$1210
	(35 3/8" L x 2 1/2" W x 1" H)		(47 7/8" L x 2 1/2" W x 1" H)		(59 7/8" L x 2 1/2" W x 1" H)	

HAIR MAINTENANCE KIT		
Component	List	For +72" kits use HMK-65-2A
HMK-65-A	\$20	
Includes user guide, AKEY Lift-out key, and HB 65.		

GL 65 PVC Channel	36" Channel		48" Channel		60" Channel		72" Channel		
	GL 6536	List	GL 6548	List	GL 6560	List	GL 6572	List	
	GL 6536	\$70	GL 6548	\$95	GL 6560	\$115	GL 6572	\$140	
		(33 3/16" L x 2 15/16" W x 1 1/8" H)		(45 3/16" L x 2 15/16" W x 1 1/8" H)		(57 3/16" L x 2 15/16" W x 1 1/8" H)		(69 3/16" L x 2 15/16" W x 1 1/8" H)	
	96" Channel		108" Channel						
	GL 6596	\$190	GL 65108	\$215					
		(93 3/16" L x 2 15/16" W x 1 1/8" H)		(108" L x 2 15/16" W x 1 1/8" H)					

Note: The GL 65 channel includes the channel spacer (CS 65), for individual channel spacers see page 136 for details and pricing.

PARTS	Component		Component		Component	
	EL 65	List	SL 65	List	AKEY	List
	PVC Stop End for GL 65 channel		2 13/16" Outlet Section (also acts as a joiner)		Lift-Out Key	
					Used with TA/A 65 Grate	
Component		Component		Component		
S 50		F 65		CS 65		
PVC threaded 2" outlet		PVC non-threaded (for direct connect outdoor installation) No-hub connection		Channel Spacer		
				See page 136 for details		
Component		Component		Component		
GJL 65		GAL 65		ER 65 SS		
PVC straight joiner strip for GL 65 channel		PVC 90° angle joiner for GL 65 channel		ER 65 PS		
				ER 65 ORB		
				ER 65 SB		
				ER 65 BK		
Component		Component				
HB 65		CT				
2" Hair Basket		Channel Trim				
		See page 140 for details				

NEW Roughs Only Kits

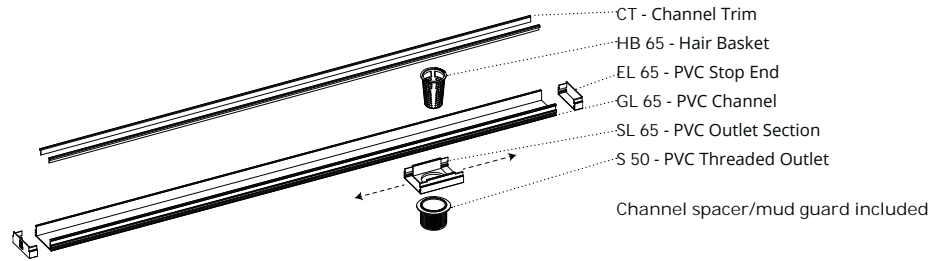
S-LAG 65, S-LT 65, and S-LTIF 65

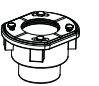
Site Sizable Series Roughs Only Kits.

The Rough Only Kits include the PVC components and channel trim for the S-LAG 65, S-LT 65, and S-LTIF 65 series. Add a clamp down drain to complete components needed for installation.

The grate and hair maintenance kit can be purchased separately and are not needed for installation. See page 133 for grate options and hair maintenance kits that are compatible with the Rough Only Kits listed on this page.

Finishes	
SS	Satin Stainless
PS	Polished Stainless
ORB	Oil Rubbed Bronze
SB	Satin Bronze
BK	Matte Black



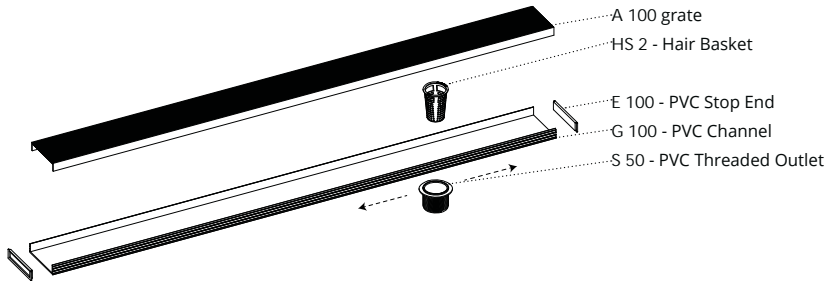
ROUGHS	Description	Model	Finish	Lbs	List
	36" Roughs Only Kit Includes: (36 1/8" L x 1 15/16" W x 1" H)	RG-L 6536 SS	Satin Stainless	7	\$120
		RG-L 6536 PS	Polished Stainless		\$120
	1 - GL 6536 PVC Channel	1 - S 50 PVC Threaded Outlet	RG-L 6536 ORB		\$120
	2 - EL 65 PVC Stop End	2 - CT 36 Channel Trim	RG-L 6536 SB		\$120
	1 - SL 65 PVC Outlet Section	1 - HB 65 Hair Basket	RG-L 6536 BK		\$120
	1 - CS 6536 Channel Spacer				
	48" Roughs Only Kit Includes: (48 1/8" L x 1 15/16" W x 1" H)	RG-L 6548 SS	Satin Stainless	9	\$145
		RG-L 6548 PS	Polished Stainless		\$155
	1 - GL 6548 PVC Channel	1 - S 50 PVC Threaded Outlet	RG-L 6548 ORB		\$155
2 - EL 65 PVC Stop End	2 - CT 48 Channel Trim	RG-L 6548 SB		\$155	
1 - SL 65 PVC Outlet Section	1 - HB 65 Hair Basket	RG-L 6548 BK		\$155	
1 - CS 6548 Channel Spacer					
60" Roughs Only Kit Includes: (60 1/8" L x 1 15/16" W x 1" H)	RG-L 6560 SS	Satin Stainless	11	\$175	
	RG-L 6560 PS	Polished Stainless		\$185	
1 - GL 6560 PVC Channel	1 - S 50 PVC Threaded Outlet	RG-L 6560 ORB		\$185	
2 - EL 65 PVC Stop End	2 - CT 60 Channel Trim	RG-L 6560 SB		\$185	
1 - SL 65 PVC Outlet Section	1 - HB 65 Hair Basket	RG-L 6560 BK		\$185	
1 - CS 6560 Channel Spacer					
72" Roughs Only Kit Includes: (72 1/8" L x 1 15/16" W x 1" H)	RG-L 6572 SS	Satin Stainless	18	\$230	
	RG-L 6572 PS	Polished Stainless		\$240	
1 - GL 6572 PVC Channel	2 - S 50 PVC Threaded Outlet	RG-L 6572 ORB		\$240	
2 - EL 65 PVC Stop End	2 - CT 72 Channel Trim	RG-L 6572 SB		\$240	
2 - SL 65 PVC Outlet Section	2 - HB 65 Hair Basket	RG-L 6572 BK		\$240	
1 - CS 6572 Channel Spacer				\$240	
	(Two outlets)				
96" Roughs Only Kit Includes: (96 1/8" L x 1 15/16" W x 1" H)	RG-L 6596 SS	Satin Stainless	22	\$300	
	RG-L 6596 PS	Polished Stainless		\$310	
1 - GL 6596 PVC Channel	2 - S 50 PVC Threaded Outlet	RG-L 6596 ORB		\$310	
2 - EL 65 PVC Stop End	2 - CT 96 Channel Trim	RG-L 6596 SB		\$310	
2 - SL 65 PVC Outlet Section	2 - HB 65 Hair Basket	RG-L 6596 BK		\$310	
1 - CS 6596 Channel Spacer				\$310	
	(Two outlets)				
	Drain Body	CDI 22 - Cast Iron 2" throat, 2" no hub connect	4	\$85	
	not included in kit SKU if not provided, add...	CDIH 22 - (For Hot Mop) Cast Iron 2" throat, 2" no hub connect	4	\$85	
		CDA 22 - ABS 2" throat, 2" standard connect	2	\$65	
		CDP 22 - PVC 2" throat, 2" standard connect	2	\$65	

To order the roughs without the channel trim use PVC Components Only Kit.

PVC Components Only Kit Includes the GL 65 PVC Channel, EL 65 PVC Stop Ends, SL 65 PVC Outlet Section(s), CS 65 Channel Spacer, S 50 PVC Threaded Outlet(s), and HB 65 Hair Basket(s).	RG-L 6536	\$100
	RG-L 6548	\$125
	RG-L 6560	\$145
	RG-L 6572 (Two outlets)	\$190
	RG-L 6596 (Two outlets)	\$240

Components

S-AG 100



Finishes	
SS	Satin Stainless
PS	Polished Stainless
ORB	Oil Rubbed Bronze
SB	Satin Bronze
BK	Matte Black

GRATES	A 100 2mm Wedge Wire	48" Grate	List
		A 10048 SS	\$1060
		A 10048 PS	\$1260
		A 10048 ORB	\$1260
		A 10048 SB	\$1260
		A 10048 BK	\$1260
(47 3/4" L x 3 15/16" W x 3/4" H) 10 lbs			

HAIR MAINTENANCE KIT	
Component	List
HMK-65-A	\$20
Includes user guide, AKEY Lift-out key, and HB 65.	
For +72" kits use HMK-65-2A	

CHANNELS	G 100 PVC Channel	48" Channel	List	96" Channel	List	108" Channel	List
		G 10048	\$80	G 10096	\$160	G 100108	\$180
		(47 1/2" L x 4 3/16" W x 13/16" H) 10 lbs		(95 1/2" L x 4 3/16" W x 13/16" H) 12 lbs		(107 1/2" L x 4 3/16" W x 13/16" H) 12 lbs	

PARTS		Component	List		Component	List		Component	List
		E 100	\$5		HB 65	\$5		AKEY	\$5
		PVC Stop End for G 100 channel			2" Hair Basket			Lift-Out Key Used with TA/A 65 Grate	
		Component	List		Component	List		Component	List
		S 50	\$10		F 65	\$10		F 100	\$10
		PVC threaded 2" outlet			PVC non-threaded (for direct connect outdoor installation) No-hub connection			3" PVC non-threaded (for direct connect outdoor installation) No-hub connection	
		Component	List		Component	List		Component	List
		GJ 100	\$10		GA 100	\$25			
		PVC straight joiner strip for G 100 channel			PVC 90° angle joiner for G 100 channel				

Components

Channel Spacer

Available for PVC Site Sizable® Series.

The Channel Spacer is placed in the channel during installation to prevent channel flexing. It also acts as a mudguard to prevent debris from entering the Site Sizable® channel assembly. See specific series installation instructions for more details.

The Channel Spacer can be purchased separately and is included with the G 38, G 65, GL 38, and GL 65 channel. It is included in the following kits:

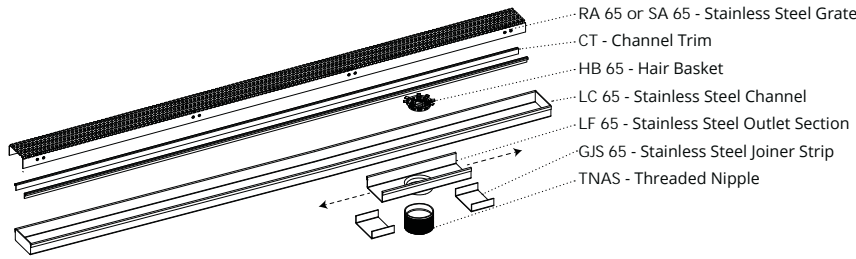
- S-AG 38
- S-AG 65
- S-DG 38
- S-DG 65
- S-LAG 38
- S-LAG 65
- S-LT 38
- S-LT 65
- S-TIF 65
- S-LTIF 65



	Description	Model	List
	Channel Spacer for G 38 Channel	CS 3836	\$10
		CS 3848	\$10
		CS 3860	\$15
		CS 3872	\$20
		CS 3896	\$25
		CS 38108	\$30
	Channel Spacer for G 65 Channel	CS 6536	\$10
		CS 6540	\$10
		CS 6548	\$15
		CS 6560	\$15
		CS 6572	\$20
		CS 6580	\$25
		CS 6596	\$30
		CS 65108	\$35

Components

S-AS 65/99 and S-LTIFAS 65/99



Finishes	
SS	Satin Stainless
PS	Polished Stainless
ORB	Oil Rubbed Bronze
SB	Satin Bronze
BK	Matte Black

SA 65 2mm Wedge Wire	36" Grate	List	48" Grate	List	60" Grate	List	72" Grate	List
	SA 6536 SS	\$735	SA 6548 SS	\$980	SA 6560 SS	\$1225	SA 6572 SS	\$1470
SA 6536 PS	\$885	SA 6548 PS	\$1180	SA 6560 PS	\$1475	SA 6572 PS	\$1770	
SA 6536 ORB	\$885	SA 6548 ORB	\$1180	SA 6560 ORB	\$1475	SA 6572 ORB	\$1770	
SA 6536 SB	\$885	SA 6548 SB	\$1180	SA 6560 SB	\$1475	SA 6572 SB	\$1770	
SA 6536 BK	\$885	SA 6548 BK	\$1180	SA 6560 BK	\$1475	SA 6572 BK	\$1770	
	(35 7/8" L x 2 1/2" W x 1" H)		(47 7/8" L x 2 1/2" W x 1" H)		(59 7/8" L x 2 1/2" W x 1" H)		(71 7/8" L x 2 1/2" W x 1" H)	

RA 65 and RA 65 fit into LC/SC 65 channel.	36" Grate	List	48" Grate	List	60" Grate	List
RA 6536 SS	\$675	RA 6548 SS	\$880	RA 6560 SS	\$1085	
RA 6536 PS	\$750	RA 6548 PS	\$980	RA 6560 PS	\$1210	
RA 6536 ORB	\$750	RA 6548 ORB	\$980	RA 6560 ORB	\$1210	
RA 6536 SB	\$750	RA 6548 SB	\$980	RA 6560 SB	\$1210	
RA 6536 BK	\$750	RA 6548 BK	\$980	RA 6560 BK	\$1210	
	(35 7/8" L x 2 1/2" W x 1" H)		(47 7/8" L x 2 1/2" W x 1" H)		(59 7/8" L x 2 1/2" W x 1" H)	

Closed Ended Stainless Steel Channel

LC 65	28" Channel	List	40" Channel	List	52" Channel	List	64" Channel	List	88" Channel	List
LC 6528 SS	\$255	LC 6540 SS	\$365	LC 6552 SS	\$475	LC 6564 SS	\$585	LC 6588 SS	\$805	
LC 6528 PS	\$290	LC 6540 PS	\$415	LC 6552 PS	\$540	LC 6564 PS	\$665	LC 6588 PS	\$915	
LC 6528 ORB	\$290	LC 6540 ORB	\$415	LC 6552 ORB	\$540	LC 6564 ORB	\$665	LC 6588 ORB	\$915	
LC 6528 SB	\$290	LC 6540 SB	\$415	LC 6552 SB	\$540	LC 6564 SB	\$665	LC 6588 SB	\$915	
LC 6528 BK	\$290	LC 6540 BK	\$415	LC 6552 BK	\$540	LC 6564 BK	\$665	LC 6588 BK	\$915	
	(28" L x 2 7/8" W x 1 1/16" H)		(40" L x 2 7/8" W x 1 1/16" H)		(52" L x 2 7/8" W x 1 1/16" H)		(64" L x 2 7/8" W x 1 1/16" H)		(88" L x 2 7/8" W x 1 1/16" H)	

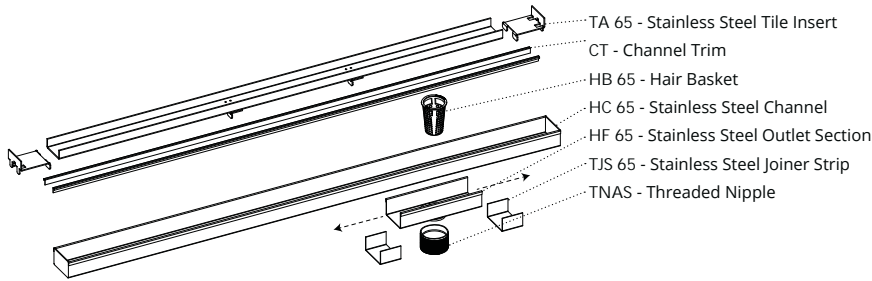
Open Ended Stainless Steel Channel

SC 65	48" Channel	List	96" Channel	List
SC 6548 SS	\$380	SC 6596 SS	\$760	
SC 6548 PS	\$440	SC 6596 PS	\$880	
SC 6548 ORB	\$440	SC 6596 ORB	\$880	
SC 6548 SB	\$440	SC 6596 SB	\$880	
SC 6548 BK	\$440	SC 6596 BK	\$880	
	(48" L x 2 7/8" W x 1 1/16" H)		(96" L x 2 7/8" W x 1 1/16" H)	

PARTS	8" Outlet	List	Component	List	Component	List
		LF 65 SS		\$95		ZSIKA
	LF 65 PS	\$105	M-1 All Purpose Sealant and Adhesive		Lift-Out Key	
	LF 65 ORB	\$105			Used with SA 65 Grate	
	LF 65 SB	\$105				
	LF 65 BK	\$105				
HIGH FLOW	8" Outlet	List	Component	List	Component	List
		LF 99 SS	\$390	GJS 65	\$25	SE 65 SS
	LF 99 PS	\$400	Stainless Steel joiner strip for LC 65 channel		SE 65 PS	\$60
	LF 99 ORB	\$400			SE 65 ORB	\$60
	LF 99 SB	\$400			SE 65 SB	\$60
	LF 99 BK	\$400			SE 65 BK	\$60
90° Joiner	SLA 65 SS	List	Component	List	Component	List
		SLA 65 PS	\$130	TNAS	\$45	ER 65 SS
	SLA 65 PS	\$140	2" Stainless Steel Threaded Nipple - 1 1/2" Length		ER 65 PS	\$25
	SLA 65 ORB	\$140			ER 65 ORB	\$25
	SLA 65 SB	\$140			ER 65 SB	\$25
	SLA 65 BK	\$140			ER 65 BK	\$25
			Component	List	Component	List
			HB 65	\$5	CT	
			2" Hair Basket		Channel Trim	
					See page 140 for details	

Components

S-TIFAS 65/99



Finishes	
SS	Satin Stainless
PS	Polished Stainless
ORB	Oil Rubbed Bronze
SB	Satin Bronze
BK	Matte Black

GRATE	TA 65 Tile Insert	40" Grate	List	48" Grate	List	60" Grate	List
		TA 6540 SS	\$740	TA 6548 SS	\$880	TA 6560 SS	\$1085
		TA 6540 PS	\$820	TA 6548 PS	\$980	TA 6560 PS	\$1210
		TA 6540 ORB	\$820	TA 6548 ORB	\$980	TA 6560 ORB	\$1210
		TA 6540 SB	\$820	TA 6548 SB	\$980	TA 6560 SB	\$1210
		TA 6540 BK	\$820	TA 6548 BK	\$980	TA 6560 BK	\$1210
		(39 7/8" L x 2 1/2" W x 1 1/2" H)		(47 7/8" L x 2 1/2" W x 1 1/2" H)		(59 7/8" L x 2 1/2" W x 1 1/2" H)	

TA 65 tile insert frame includes TA Ends (ET 65)

TA 65, A 65, and D 65 fit into the TC 65 and HC 65 channel. See page 131 for A 65 and D 65 component details.

Closed Ended Stainless Steel Channel

CHANNELS	HC 65	32" Channel	List	40" Channel	List	52" Channel	List	72" Channel	List	88" Channel	List
		HC 6532 SS	\$290	HC 6540 SS	\$365	HC 6552 SS	\$475	HC 6572 SS	\$660	HC 6588 SS	\$805
		HC 6532 PS	\$325	HC 6540 PS	\$415	HC 6552 PS	\$540	HC 6572 PS	\$750	HC 6588 PS	\$915
		HC 6532 ORB	\$325	HC 6540 ORB	\$415	HC 6552 ORB	\$540	HC 6572 ORB	\$750	HC 6588 ORB	\$915
		HC 6532 SB	\$325	HC 6540 SB	\$415	HC 6552 SB	\$540	HC 6572 SB	\$750	HC 6588 SB	\$915
		HC 6532 BK	\$325	HC 6540 BK	\$415	HC 6552BK	\$540	HC 6572 BK	\$750	HC 6588 BK	\$915
		(32" L x 2 7/8" W x 1 5/8" H)		(40" L x 2 7/8" W x 1 5/8" H)		(52" L x 2 7/8" W x 1 5/8" H)		(72" L x 2 7/8" W x 1 5/8" H)		(88" L x 2 7/8" W x 1 5/8" H)	

Open Ended Stainless Steel Channel

CHANNELS	TC 65	48" Channel	List	96" Channel	List
		TC 6548 SS	\$305	TC 6596 SS	\$620
		TC 6548 PS	\$370	TC 6596 PS	\$745
		TC 6548 ORB	\$370	TC 6596 ORB	\$745
		TC 6548 SB	\$370	TC 6596 SB	\$745
		TC 6548 BK	\$370	TC 6596 BK	\$745
		(48" L x 2 7/8" W x 1 5/8" H)		(96" L x 2 7/8" W x 1 5/8" H)	

PARTS	8" Outlet	List	Component	List	End Section	List				
		HF 65 SS		\$95		ZSIKA	\$10	ET 65 SS	\$25	
		HF 65 PS		\$105		M-1 All Purpose Sealant and Adhesive		ET 65 PS	\$25	
		HF 65 ORB		\$105				ET 65 ORB	\$25	
		HF 65 SB		\$105				ET 65 SB	\$25	
		HF 65 BK		\$105				ET 65 BK	\$25	
	HIGH FLOW	8" Outlet	List	Component	List	Component	List			
			HF 99 SS		\$390		TJS 65	\$25	AKEY	\$5
			HF 99 PS		\$400		Stainless Steel joiner strip for HC 65 channel		Lift-Out Key	
			HF 99 ORB		\$400				Used with TA 65 Grate	
			HF 99 SB		\$400					
			HF 99 BK		\$400					
90° Joiner	SHA 65	List	Component	List	End Section	List				
		SHA 65 SS		\$130		TNAS	\$45	TE 65 SS	\$60	
		SHA 65 PS		\$140		2" Stainless Steel Threaded Nipple - 1 1/2" Length		TE 65 PS	\$75	
		SHA 65 ORB		\$140				TE 65 ORB	\$75	
		SHA 65 SB		\$140				TE 65 SB	\$75	
		SHA 65 BK		\$140				TE 65 BK	\$75	
2" Hair Basket	SHA 65	List	Component	List	Component	List				
		SHA 65 SS		\$130		HB 65	\$5	CT		
		SHA 65 PS		\$140		2" Hair Basket		Channel Trim		
		SHA 65 ORB		\$140				See page 140 for details		
		SHA 65 SB		\$140						
		SHA 65 BK		\$140						

Components

Channel Trim



See installation instructions for full details.

Components

Channel Trim

Available for both PVC and stainless steel Site Sizable® Series.

The Channel Trim covers the joints along the Site Sizable® channel assembly. On the PVC Site Sizable® Series the trim conceals the exposed PVC edge and conceals the seams on the stainless steel Site Sizable® Series. Channel trim (CT) is not recommended for lengths more than 96" or with drains that have configurations that include turns. Channel Trim is sold by the piece. Linear drains require a quantity of 2 pieces. Channel Trim can be purchased separately and is included in the following kits:

- S-AG 38
- S-AG 65
- S-DG 38
- S-DG 65
- S-LAG 38
- S-LAG 65
- S-LT 38
- S-LT 65
- S-AS 65/99
- S-TIF 65
- S-TIFAS 65/99
- S-LTIFAS 65/99

	Description	Model	Finish	Lbs	List
CT Channel Trim	36" Channel Trim (35 7/8" L x 1/4" W x 1/2" H)	CT 36 SS	Satin Stainless	1	\$10
		CT 36 PS	Polished Stainless		\$10
		CT 36 ORB	Oil Rubbed Bronze		\$10
		CT 36 SB	Satin Bronze		\$10
		CT 36 BK	Matte Black		\$10
	40" Channel Trim (39 7/8" L x 1/4" W x 1/2" H)	CT 40 SS	Satin Stainless	1	\$10
		CT 40 PS	Polished Stainless		\$15
		CT 40 ORB	Oil Rubbed Bronze		\$15
		CT 40 SB	Satin Bronze		\$15
		CT 40 BK	Matte Black		\$15
	48" Channel Trim (47 7/8" L x 1/4" W x 1/2" H)	CT 48 SS	Satin Stainless	1	\$10
		CT 48 PS	Polished Stainless		\$15
		CT 48 ORB	Lifetime Oil Rubbed Bronze		\$15
		CT 48 SB	Satin Bronze		\$15
		CT 48 BK	Matte Black		\$15
	60" Channel Trim (59 7/8" L x 1/4" W x 1/2" H)	CT 60 SS	Satin Stainless	1	\$15
		CT 60 PS	Polished Stainless		\$20
		CT 60 ORB	Lifetime Oil Rubbed Bronze		\$20
		CT 60 SB	Satin Bronze		\$20
		CT 60 BK	Matte Black		\$20
72" Channel Trim (71 7/8" L x 1/4" W x 1/2" H)	CT 72 SS	Satin Stainless	1	\$20	
	CT 72 PS	Polished Stainless		\$25	
	CT 72 ORB	Lifetime Oil Rubbed Bronze		\$25	
	CT 72 SB	Satin Bronze		\$25	
	CT 72 BK	Matte Black		\$25	
80" Channel Trim (79 7/8" L x 1/4" W x 1/2" H)	CT 80 SS	Satin Stainless	1	\$25	
	CT 80 PS	Polished Stainless		\$30	
	CT 80 ORB	Lifetime Oil Rubbed Bronze		\$30	
	CT 80 SB	Satin Bronze		\$30	
	CT 80 BK	Matte Black		\$30	
96" Channel Trim (95 7/8" L x 1/4" W x 1/2" H)	CT 96 SS	Satin Stainless	1	\$30	
	CT 96 PS	Polished Stainless		\$35	
	CT 96 ORB	Lifetime Oil Rubbed Bronze		\$35	
	CT 96 SB	Satin Bronze		\$35	
	CT 96 BK	Matte Black		\$35	

Components

Channel and Parts for **FX 65**, **FF 65**, **FCS 65**, **FCB 65**, and **FT** series (used with grates on page 142)

(Fixed channel options shown, except FXTIF 65 (page 143), ST series (page 144), and 125 Series (page 145))

XC 65 Channel for **[FX]** series.

Used with traditional waterproofing. This channel requires a threaded nipple (TNAS), see below. See page 169 for installation details.

24" Channel	List	32" Channel	List	36" Channel	List	42" Channel	List	48" Channel	List	60" Channel	List
XC 6524 SS	\$190	XC 6532 SS	\$250	XC 6536 SS	\$285	XC 6542 SS	\$345	XC 6548 SS	\$380	XC 6560 SS	\$475
XC 6524 PS	\$220	XC 6532 PS	\$290	XC 6536 PS	\$330	XC 6542 PS	\$400	XC 6548 PS	\$440	XC 6560 PS	\$550
XC 6524 ORB	\$220	XC 6532 ORB	\$290	XC 6536 ORB	\$330	XC 6542 ORB	\$400	XC 6548 ORB	\$440	XC 6560 ORB	\$550
XC 6524 SB	\$220	XC 6532 SB	\$290	XC 6536 SB	\$330	XC 6542 SB	\$400	XC 6548 SB	\$440	XC 6560 SB	\$550
XC 6524 BK	\$220	XC 6532 BK	\$290	XC 6536 BK	\$330	XC 6542 BK	\$400	XC 6548 BK	\$440	XC 6560 BK	\$550

FC 65 Channel for **[FF]** series.

Used with fabric/liquid waterproofing. Includes channel support and hardware. See page 171 for installation details.

24" Channel	List	32" Channel	List	36" Channel	List	42" Channel	List	48" Channel	List	60" Channel	List
FC 6524 SS	\$285	FC 6532 SS	\$375	FC 6536 SS	\$405	FC 6542 SS	\$415	FC 6548 SS	\$430	FC 6560 SS	\$450

FCS 65 Channel for **[FCS]** series.

Used with fabric/liquid waterproofing. Includes channel support and hardware. See page 173 for installation details.

24" Channel	List	32" Channel	List	36" Channel	List	42" Channel	List	48" Channel	List	60" Channel	List
FCS 6524 SS	\$370	FCS 6532 SS	\$485	FCS 6536 SS	\$555	FCS 6542 SS	\$665	FCS 6548 SS	\$740	FCS 6560 SS	\$925

FCB 65 Channel for **[FCB]** series.

Used with traditional and fabric/liquid waterproofing. Includes threaded nipple. See page 177 for installation details.

24" Channel	List	32" Channel	List	36" Channel	List	42" Channel	List	48" Channel	List	60" Channel	List
FCB 6524 SS	\$240	FCB 6532 SS	\$315	FCB 6536 SS	\$360	FCB 6542 SS	\$435	FCB 6548 SS	\$480	FCB 6560 SS	\$600

FCH 65 Channel.

Used with fabric/liquid waterproofing. This channel has a threaded tapered connection.

24" Channel	List	32" Channel	List	36" Channel	List	42" Channel	List	48" Channel	List	60" Channel	List
FCH 6524 SS	\$240	FCH 6532 SS	\$315	FCH 6536 SS	\$360	FCH 6542 SS	\$435	FCH 6548 SS	\$480	FCH 6560 SS	\$600

OC 65 Channel for **[FT]** series.

Used with fabric/liquid waterproofing. This channel has a no hub side outlet. See page 175 for installation details.

24" Channel	List	32" Channel	List	36" Channel	List	42" Channel	List	48" Channel	List	60" Channel	List
OC 6524 SS	\$240	OC 6532 SS	\$315	OC 6536 SS	\$360	OC 6542 SS	\$435	OC 6548 SS	\$480	OC 6560 SS	\$600

OCH 65 Channel.

Used with fabric/liquid waterproofing. This channel has a threaded tapered side outlet.

24" Channel	List	32" Channel	List	36" Channel	List	42" Channel	List	48" Channel	List	60" Channel	List
OCH 6524 SS	\$240	OCH 6532 SS	\$315	OCH 6536 SS	\$360	OCH 6542 SS	\$435	OCH 6548 SS	\$480	OCH 6560 SS	\$600

CHANNELS

PARTS

Component	List
HB 65	\$5
Used with fixed channels, except OC 65, OCH 65, and when using the SA 25 grate.	

Component	List
TNAS	\$45
Stainless Steel threaded nipple. Used with XC 65 channel.	

Component	List
CF 65	\$35
Adjustable channel feet. Used with OC 65 and OCH 65 channel.	

Components

Channel and Parts for **FX 65**, **FF 65**, **FCS 65**, **FCB 65**, and **FT** series (used with channels on page 141)

(Fixed grate options shown, except FXTIF 65 (page 143), ST series (page 144), and 125 Series (page 145))

WA 65 Grate: 2mm Wedge Wire.

24" Grate	List	32" Grate	List	36" Grate	List	42" Grate	List	48" Grate	List	60" Grate	List
WA 6524 SS	\$490	WA 6532 SS	\$640	WA 6536 SS	\$735	WA 6542 SS	\$885	WA 6548 SS	\$980	WA 6560 SS	\$1225
WA 6524 PS	\$590	WA 6532 PS	\$770	WA 6536 PS	\$885	WA 6542 PS	\$1065	WA 6548 PS	\$1180	WA 6560 PS	\$1475
WA 6524 ORB	\$590	WA 6532 ORB	\$770	WA 6536 ORB	\$885	WA 6542 ORB	\$1065	WA 6548 ORB	\$1180	WA 6560 ORB	\$1475
WA 6524 SB	\$590	WA 6532 SB	\$770	WA 6536 SB	\$885	WA 6542 SB	\$1065	WA 6548 SB	\$1180	WA 6560 SB	\$1475
WA 6524 BK	\$590	WA 6532 BK	\$770	WA 6536 BK	\$885	WA 6542 BK	\$1065	WA 6548 BK	\$1180	WA 6560 BK	\$1475

BA 65 Grate: Solid.

24" Grate	List	32" Grate	List	36" Grate	List	42" Grate	List	48" Grate	List	60" Grate	List
BA 6524 SS	\$400	BA 6532 SS	\$520	BA 6536 SS	\$600	BA 6542 SS	\$720	BA 6548 SS	\$800	BA 6560 SS	\$1000
BA 6524 PS	\$520	BA 6532 PS	\$680	BA 6536 PS	\$780	BA 6542 PS	\$940	BA 6548 PS	\$1040	BA 6560 PS	\$1300
BA 6524 ORB	\$520	BA 6532 ORB	\$680	BA 6536 ORB	\$780	BA 6542 ORB	\$940	BA 6548 ORB	\$1040	BA 6560 ORB	\$1300
BA 6524 SB	\$520	BA 6532 SB	\$680	BA 6536 SB	\$780	BA 6542 SB	\$940	BA 6548 SB	\$1040	BA 6560 SB	\$1300
BA 6524 BK	\$520	BA 6532 BK	\$680	BA 6536 BK	\$780	BA 6542 BK	\$940	BA 6548 BK	\$1040	BA 6560 BK	\$1300

UA 65 Grate: Slotted.

24" Grate	List	32" Grate	List	36" Grate	List	42" Grate	List	48" Grate	List	60" Grate	List
UA 6524 SS	\$130	UA 6532 SS	\$170	UA 6536 SS	\$195	UA 6542 SS	\$235	UA 6548 SS	\$260	UA 6560 SS	\$325
UA 6524 PS	\$220	UA 6532 PS	\$290	UA 6536 PS	\$330	UA 6542 PS	\$400	UA 6548 PS	\$440	UA 6560 PS	\$550
UA 6524 ORB	\$220	UA 6532 ORB	\$290	UA 6536 ORB	\$330	UA 6542 ORB	\$400	UA 6548 ORB	\$440	UA 6560 ORB	\$550
UA 6524 SB	\$220	UA 6532 SB	\$290	UA 6536 SB	\$330	UA 6542 SB	\$400	UA 6548 SB	\$440	UA 6560 SB	\$550
UA 6524 BK	\$220	UA 6532 BK	\$290	UA 6536 BK	\$330	UA 6542 BK	\$400	UA 6548 BK	\$440	UA 6560 BK	\$550

LA 65 Grate: Tile Insert.

24" Grate	List	32" Grate	List	36" Grate	List	42" Grate	List	48" Grate	List	60" Grate	List
LA 6524 SS	\$260	LA 6532 SS	\$340	LA 6536 SS	\$390	LA 6542 SS	\$470	LA 6548 SS	\$520	LA 6560 SS	\$650
LA 6524 PS	\$300	LA 6532 PS	\$390	LA 6536 PS	\$450	LA 6542 PS	\$540	LA 6548 PS	\$600	LA 6560 PS	\$750
LA 6524 ORB	\$300	LA 6532 ORB	\$390	LA 6536 ORB	\$450	LA 6542 ORB	\$540	LA 6548 ORB	\$600	LA 6560 ORB	\$750
LA 6524 SB	\$300	LA 6532 SB	\$390	LA 6536 SB	\$450	LA 6542 SB	\$540	LA 6548 SB	\$600	LA 6560 SB	\$750
LA 6524 BK	\$300	LA 6532 BK	\$390	LA 6536 BK	\$450	LA 6542 BK	\$540	LA 6548 BK	\$600	LA 6560 BK	\$750

SA 25 Grate: Wedge Wire. Grate requires a CI 25 (see below) and will fit into channels shown on page 141, except the XC 65 channel

32" Grate	List	36" Grate	List	42" Grate	List	48" Grate	List	60" Grate	List
SA 2532 SS	\$455	SA 2536 SS	\$525	SA 2542 SS	\$700	SA 2548 SS	\$875	SA 2560 SS	\$1050
SA 2532 PS	\$585	SA 2536 PS	\$675	SA 2542 PS	\$900	SA 2548 PS	\$1125	SA 2560 PS	\$1350
SA 2532 ORB	\$585	SA 2536 ORB	\$675	SA 2542 ORB	\$900	SA 2548 ORB	\$1125	SA 2560 ORB	\$1350
SA 2532 SB	\$585	SA 2536 SB	\$675	SA 2542 SB	\$900	SA 2548 SB	\$1125	SA 2560 SB	\$1350
SA 2532 BK	\$585	SA 2536 BK	\$675	SA 2542 BK	\$900	SA 2548 BK	\$1125	SA 2560 BK	\$1350

GRATES

HAIR MAINTENANCE KITS



Component	List
HMK-65-A	\$20
Hair Maintenance Kit for FX, FF, FCS, and FCB 65 series	

Includes user guide, lift-out key, and hair strainer



Component	List
HMK-A	\$20
Hair Maintenance Kit for 25 and FT series	

Includes user guide, lift-out key, and hair strainer

PARTS

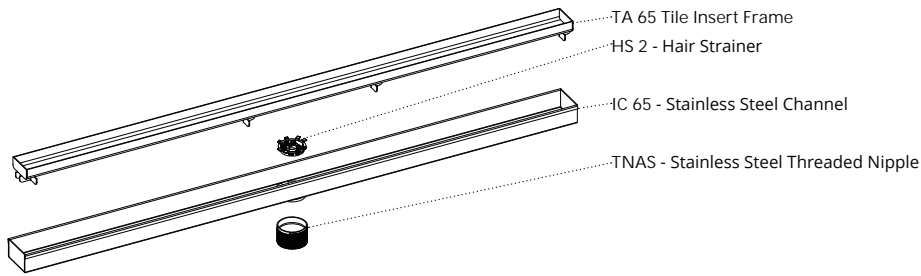
CI 25 Channel Insert	24" Grate	List
	CI 2532	\$80
	CI 2536	\$90
	CI 2542	\$110
	CI 2548	\$120
	CI 2560	\$150

Used with SA 25 grate

Component	List
AKEY	\$5
Lift-Out Key Used with SA 25, EA 65, WA 65, BA 65, UA 65, and LA 65 Grates	

Components

FXTIF 65



Finishes	
SS	Satin Stainless
PS	Polished Stainless
ORB	Oil Rubbed Bronze
SB	Satin Bronze
BK	Matte Black

GRATE	TA 65 Tile Insert	20" Grate	List	40" Grate	List	48" Grate	List	60" Grate	List
		TA 6520 SS	\$470	TA 6540 SS	\$740	TA 6548 SS	\$880	TA 6560 SS	\$1085
		TA 6520 PS	\$520	TA 6540 PS	\$820	TA 6548 PS	\$980	TA 6560 PS	\$1210
		TA 6520 ORB	\$520	TA 6540 ORB	\$820	TA 6548 ORB	\$980	TA 6560 ORB	\$1210
		TA 6520 SB	\$520	TA 6540 SB	\$820	TA 6548 SB	\$980	TA 6560 SB	\$1210
		TA 6520 BK	\$520	TA 6540 BK	\$820	TA 6548 BK	\$980	TA 6560 BK	\$1210
		(19 7/8" L x 2 1/2" W x 1 1/2" H)		(39 7/8" L x 2 1/2" W x 1 1/2" H)		(47 7/8" L x 2 1/2" W x 1 1/2" H)		(59 7/8" L x 2 1/2" W x 1 1/2" H)	

TA 65 tile insert frame includes TA Ends (ET 65)

CHANNEL	IC 65	20" Grate	List	40" Grate	List	48" Grate	List	60" Grate	List
		IC 6520 SS	\$80	IC 6540 SS	\$165	IC 6548 SS	\$200	IC 6560 SS	\$250
		IC 6520 PS	\$90	IC 6540 PS	\$185	IC 6548 PS	\$220	IC 6560 PS	\$275
		IC 6520 ORB	\$90	IC 6540 ORB	\$185	IC 6548 ORB	\$220	IC 6560 ORB	\$275
		IC 6520 SB	\$90	IC 6540 SB	\$185	IC 6548 SB	\$220	IC 6560 SB	\$275
		IC 6520 BK	\$90	IC 6540 BK	\$185	IC 6548 BK	\$220	IC 6560 BK	\$275
		(20 3/8" L x 2 7/8" W x 1 9/16" H)		(40 3/8" L x 2 7/8" W x 1 9/16" H)		(48 3/8" L x 2 7/8" W x 1 9/16" H)		(60 3/8" L x 2 7/8" W x 1 9/16" H)	

PARTS		Component	List
		TNAS	\$45
		Stainless Steel threaded nipple Used with XC 65 channel	
		End Section	List
		ET 65 SS	\$25
		ET 65 PS	\$25
		ET 65 ORB	\$25
ET 65 SB		\$25	
ET 65 BK	\$25		

	Component	List
	HB 65	\$5
	2" Hair Basket	

	Component	List
	AKEY	\$5
	Lift-Out Key Used with TA 65 Grate	

HMK	Component	List
	HMK-65-A	\$20
	Includes user guide, lift-out key, and hair strainer	


Components

FFST, FCSST, and FCBST

CST 65 Slot Drain Channel for [FF] series. Includes removable cleanout and hair maintenance kit.
Used with fabric/liquid waterproofing.

	24" Channel	List	32" Channel	List	36" Channel	List	42" Channel	List	48" Channel	List	60" Channel	List
	CST 6524 SS	\$445	CST 6532 SS	\$550	CST 6536 SS	\$615	CST 6542 SS	\$720	CST 6548 SS	\$785	CST 6560 SS	\$955


CSST 65 Slot Drain Channel for [FCS] series. Includes removable cleanout.
Used with fabric/liquid waterproofing.


	24" Channel	List	32" Channel	List	36" Channel	List	42" Channel	List	48" Channel	List	60" Channel	List
	CSST 6524 SS	\$575	CSST 6532 SS	\$720	CSST 6536 SS	\$810	CSST 6542 SS	\$950	CSST 6548 SS	\$1045	CSST 6560 SS	\$1280


CBST 65 Slot Drain Channel for [FCB] series. Includes removable cleanout and threaded nipple.
Used with traditional and fabric/liquid waterproofing. This channel includes threaded nipple. See page 177 for installation details.


	24" Channel	List	32" Channel	List	36" Channel	List	42" Channel	List	48" Channel	List	60" Channel	List
	CBST 6524 SS	\$445	CBST 6532 SS	\$550	CBST 6536 SS	\$615	CBST 6542 SS	\$720	CBST 6548 SS	\$785	FCB 6560 SS	\$955


SLOT Slot Insert

	24" Slot Insert	List	32" Slot Insert	List	36" Slot Insert	List	42" Slot Insert	List	48" Slot Insert	List	60" Slot Insert	List
	SLOT 6524 SS	\$120	SLOT 6532 SS	\$160	SLOT 6536 SS	\$180	SLOT 6542 SS	\$220	SLOT 6548 SS	\$240	SLOT 6560 SS	\$300
	SLOT 6524 PS	\$150	SLOT 6532 PS	\$195	SLOT 6536 PS	\$225	SLOT 6542 PS	\$270	SLOT 6548 PS	\$300	SLOT 6560 PS	\$375
	SLOT 6524 ORB	\$150	SLOT 6532 ORB	\$195	SLOT 6536 ORB	\$225	SLOT 6542 ORB	\$270	SLOT 6548 ORB	\$300	SLOT 6560 ORB	\$375
	SLOT 6524 SB	\$150	SLOT 6532 SB	\$195	SLOT 6536 SB	\$225	SLOT 6542 SB	\$270	SLOT 6548 SB	\$300	SLOT 6560 SB	\$375
	SLOT 6524 BK	\$150	SLOT 6532 BK	\$195	SLOT 6536 BK	\$225	SLOT 6542 BK	\$270	SLOT 6548 BK	\$300	SLOT 6560 BK	\$375

	Component	List
	SKEY	\$5
	Lift-Out Key Used with Slot Insert	

	Component	List
	HS 2	\$5
	2" hair strainer	

	24" Grate	List
	TI-CL SS	\$75
	TI-CL PS	\$85
	TI-CL ORB	\$85
	TI-CL SB	\$85
TI-CL BK	\$85	

	Component	List
	HMK-S	\$20
	Includes user guide, lift-out key, and hair strainer	

Components

FXAS 125, FFAS 125, FCSAS 125



Finishes	
SS	Satin Stainless
PS	Polished Stainless
ORB	Oil Rubbed Bronze
SB	Satin Bronze
BK	Matte Black

GRATE	SA 125 Wedge Wire	32" Grate	List	36" Grate	List	42" Grate	List	48" Grate	List	60" Grate	List
		SA 12532 SS	\$810	SA 12536 SS	\$930	SA 12542 SS	\$1120	SA 12548 SS	\$1240	SA 12560 SS	\$1550
		SA 12532 PS	\$1095	SA 12536 PS	\$1260	SA 12542 PS	\$1515	SA 12548 PS	\$1680	SA 12560 PS	\$2100
		SA 12532 ORB	\$1095	SA 12536 ORB	\$1260	SA 12542 ORB	\$1515	SA 12548 ORB	\$1680	SA 12560 ORB	\$2100
		SA 12532 SB	\$1095	SA 12536 SB	\$1260	SA 12542 SB	\$1515	SA 12548 SB	\$1680	SA 12560 SB	\$2100
		SA 12532 BK	\$1095	SA 12536 BK	\$1260	SA 12542 BK	\$1515	SA 12548 BK	\$1680	SA 12560 BK	\$2100
		(32 1/2" L x 2 7/8" W x 1" H) - 8 lbs		(36 1/8" L x 2 7/8" W x 1" H) - 10 lbs		(42 1/2" L x 2 7/8" W x 1" H) - 12 lbs		(42 1/8" L x 2 7/8" W x 1" H) - 12 lbs		(42 1/8" L x 2 7/8" W x 1" H) 12 lbs	

XC 125 Channel for [FX] series.

Used with traditional waterproofing. Channel requires a threaded nipple (TN4A), see below. See page 169 for installation details.

CHANNELS	XC 125 Channel	32" Channel	List	36" Channel	List	42" Channel	List	48" Channel	List	60" Channel	List
		XC 12532 SS	\$345	XC 12536 SS	\$405	XC 12542 SS	\$495	XC 12548 SS	\$555	XC 12560 SS	\$705
		XC 12532 PS	\$385	XC 12536 PS	\$450	XC 12542 PS	\$545	XC 12548 PS	\$615	XC 12560 PS	\$780
		XC 12532 ORB	\$385	XC 12536 ORB	\$450	XC 12542 ORB	\$545	XC 12548 ORB	\$615	XC 12560 ORB	\$780
		XC 12532 SB	\$385	XC 12536 SB	\$450	XC 12542 SB	\$545	XC 12548 SB	\$615	XC 12560 SB	\$780
		XC 12532 BK	\$385	XC 12536 BK	\$450	XC 12542 BK	\$545	XC 12548 BK	\$615	XC 12560 BK	\$780
		(32 1/2" L x 2 7/8" W x 1" H) - 8 lbs		(36 1/8" L x 2 7/8" W x 1" H) - 10 lbs		(42 1/2" L x 2 7/8" W x 1" H) - 12 lbs		(42 1/8" L x 2 7/8" W x 1" H) - 12 lbs		(42 1/8" L x 2 7/8" W x 1" H) 12 lbs	

FC 125 Channel for [FF] series.

Used with fabric/liquid waterproofing. See page 171 for installation details.

CHANNELS	FC 125 Channel	32" Channel	List	36" Channel	List	42" Channel	List	48" Channel	List	60" Channel	List
		FC 12532 SS	\$390	FC 12536 SS	\$450	FC 12542 SS	\$540	FC 12548 SS	\$600	FC 12560 SS	\$750

FCS 125 Channel for [FCS] series.

Used with fabric/liquid waterproofing. See page 173 for installation details.

CHANNELS	FCS 125 Channel	32" Channel	List	36" Channel	List	42" Channel	List	48" Channel	List	60" Channel	List
		FCS 12532 SS	\$560	FCS 12536 SS	\$645	FCS 12542 SS	\$770	FCS 12548 SS	\$860	FCS 12560 SS	\$1075

HMK	HMK-A4	Component	List
		HMK-A4	\$20
		Includes user guide, lift-out key, and hair strainer	

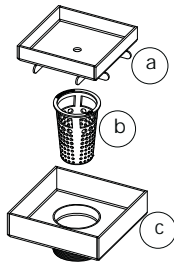
PARTS	TN4A	Component	List
		TN4A	\$200
		Threaded nipple for XC 125 Channel	

PARTS	HS 4	Component	List
		HS 4	\$5
		4" Hair Strainer for XC 125 Channel	


PARTS	AKEY	Component	List
		AKEY	\$5
		Lift-Out Key Used with SA 125 Grate	

Components


5"x5" Tile Drains





- (a) Tile Insert Tray
- (b) Hair Basket
- (c) Throat


TILE TRAY		Tile Tray	List
		TS 5-SS	\$130
		TS 5-PS	\$170
		TS 5-ORB	\$170
		TS 5-SB	\$170
		TS 5-BK	\$170
		(4 7/8" L x 4 7/8" W x 3/16" H) - 1 lbs	

+


HAIR MAINTENANCE KIT	
	
Component	List
HMK-C2-D	\$20
Includes user guide, DKEY Lift-out key, and HB 65.	


THROAT		2" Throat	List
		TT 52-SS	\$235
		TT 52-PS	\$315
		TT 52-ORB	\$315
		TT 52-SB	\$315
		TT 52-BK	\$315
			(5" L x 5" W x 1 13/16" H) - 2 lbs




HIGH FLOW		5x5 - 4" Throat	List
		TT 54-SS	\$390
		TT 54-PS	\$470
		TT 54-ORB	\$470
		TT 54-SB	\$470
		TT 54-BK	\$470
			(5" L x 5" W x 1 13/16" H) - 2 lbs

HIGH FLOW		5x5 - 4" Throat	List
		T 15 B SS	\$550
		T 15 B PS	\$670
		T 15 B ORB	\$670
		T 15 B SB	\$670
		T 15 B BK	\$670
			(5" L x 5" W x 1 13/16" H) - 2 lbs

For TDB 15 series, for use with Bonded Flange

PARTS		2" Throat	List
		F 52-SS	\$235
		F 52-PS	\$315
		F 52-ORB	\$315
		F 52-SB	\$315
		F 52-BK	\$315
			(5" L x 5" W x 1 13/16" H) - 2 lbs

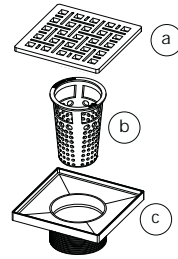
	5x5 - 4" Throat	List
	FL 52-SS	\$390
	FL 52-PS	\$470
	FL 52-ORB	\$470
	FL 52-SB	\$470
	FL 52-BK	\$470

PARTS		Component	List
		HB 65	\$5
			2" Hair Basket for T 42 throat
PARTS		Component	List
		DKEY	\$5
			Lift-Out Key
PARTS		Component	List
		HS 4	\$5
			4" hair strainer for T 54 throat

*See page 155-156 for drain bodies

Components

4"x4" Center Drains



- (a) Decorative Plate
- (b) Hair Basket
- (c) Throat

DECORATIVE COVERS

Criss-Cross	List
XS 4-SS	\$105
XS 4-PS	\$140
XS 4-ORB	\$140
XS 4-SB	\$140
XS 4-BK	\$140
(3 7/8" L x 3 7/8" W x 3/16" H) - 1 lbs	

Squares	List
QS 4-SS	\$105
QS 4-PS	\$140
QS 4-ORB	\$140
QS 4-SB	\$140
QS 4-BK	\$140
(3 7/8" L x 3 7/8" W x 3/16" H) - 1 lbs	

Moor	List
MS 4-SS	\$105
MS 4-PS	\$140
MS 4-ORB	\$140
MS 4-SB	\$140
MS 4-BK	\$140
(3 7/8" L x 3 7/8" W x 3/16" H) - 1 lbs	

Link	List
KS 4-SS	\$105
KS 4-PS	\$140
KS 4-ORB	\$140
KS 4-SB	\$140
KS 4-BK	\$140
(3 7/8" L x 3 7/8" W x 3/16" H) - 1 lbs	

Weave	List
VS 4-SS	\$105
VS 4-PS	\$140
VS 4-ORB	\$140
VS 4-SB	\$140
VS 4-BK	\$140
(3 7/8" L x 3 7/8" W x 3/16" H) - 1 lbs	

Lines	List
NS 4-SS	\$105
NS 4-PS	\$140
NS 4-ORB	\$140
NS 4-SB	\$140
NS 4-BK	\$140
(3 7/8" L x 3 7/8" W x 3/16" H) - 1 lbs	

HAIR MAINTENANCE KIT	
Component	List
HMK-C2-D	\$20
Includes user guide, DKEY Lift-out key, and HB 65.	

Wedge Wire	List
WS 4-SS	\$205
WS 4-PS	\$240
WS 4-ORB	\$240
WS 4-SB	\$240
WS 4-BK	\$240
(3 7/8" L x 3 7/8" W x 3/16" H) - 1 lbs	

HAIR MAINTENANCE KIT	
Component	List
HMK-C2-W	\$20
Includes user guide, WKEY Lift-out key, and HB 65.	

THROAT

2" Throat	List
T 42-SS	\$200
T 42-PS	\$265
T 42-ORB	\$265
T 42-SB	\$265
T 42-BK	\$265
(4" L x 4" W x 1 13/16" H) - 2 lbs	

PARTS

Component	List
HB 65	\$5
2" Hair Basket for T 42 throat	

Component	List
MG 4	\$5
Mud guard for 4"x4" throat	

Component	List
DKEY	\$5
Lift-Out Key	

Component	List
WKEY	\$5
Lift-Out Key for WS 4 Decorative Cover	

Roughs

The Rough Only Center Drain Kits include the throat and mud guard. Add clamp down drain to complete these are all of the components needed for installation.

The decorative cover and hair maintenance kit can be purchased separately and are not needed for installation. The hair maintenance kit includes the user guide, lift-out key and hair basket.

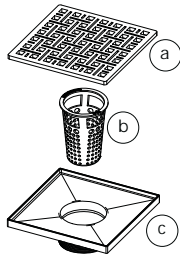
ROUGHS

4x4 - 2" Roughs Throat & Mud Guard	List
RG-T42-SS	\$205
RG-T42-PS	\$270
RG-T42-ORB	\$270
RG-T42-SB	\$270
RG-T42-BK	\$270

*See page 155-156 for drain bodies

Components

5"x5" Center Drains



- (a) Decorative Plate
- (b) Hair Basket
- (c) Throat

DECORATIVE COVERS	Criss-Cross		List	Squares		List	Moor		List						
		XS 5-SS	\$130		QS 5-SS	\$130		MS 5-SS	\$130						
		XS 5-PS	\$170		QS 5-PS	\$170		MS 5-PS	\$170						
		XS 5-ORB	\$170		QS 5-ORB	\$170		MS 5-ORB	\$170						
		XS 5-SB	\$170		QS 5-SB	\$170		MS 5-SB	\$170						
		XS 5-BK	\$170		QS 5-BK	\$170		MS 5-BK	\$170						
		(4 7/8" L x 4 7/8" W x 3/16" H) - 1 lbs			(4 7/8" L x 4 7/8" W x 3/16" H) - 1 lbs			(4 7/8" L x 4 7/8" W x 3/16" H) - 1 lbs							
		Link		List		Weave		List		Lines		List			
		KS 5-SS	\$130		VS 5-SS	\$130		NS 5-SS	\$130		NS 5-PS	\$170			
		KS 5-PS	\$170		VS 5-PS	\$170		NS 5-PS	\$170		NS 5-ORB	\$170			
	KS 5-ORB	\$170		VS 5-ORB	\$170		NS 5-ORB	\$170		NS 5-SB	\$170				
	KS 5-SB	\$170		VS 5-SB	\$170		NS 5-SB	\$170		NS 5-BK	\$170				
	KS 5-BK	\$170		VS 5-BK	\$170		NS 5-BK	\$170		(4 7/8" L x 4 7/8" W x 3/16" H) - 1 lbs					
	(4 7/8" L x 4 7/8" W x 3/16" H) - 1 lbs			(4 7/8" L x 4 7/8" W x 3/16" H) - 1 lbs			(4 7/8" L x 4 7/8" W x 3/16" H) - 1 lbs			<table border="1"> <thead> <tr> <th>Component</th> <th>List</th> </tr> </thead> <tbody> <tr> <td>HMK-C2-D</td> <td>\$20</td> </tr> </tbody> </table> Includes user guide, DKEY Lift-out key, and HB 65.		Component	List	HMK-C2-D	\$20
Component	List														
HMK-C2-D	\$20														
	Wedge Wire		List	<table border="1"> <thead> <tr> <th>Component</th> <th>List</th> </tr> </thead> <tbody> <tr> <td>HMK-C2-W</td> <td>\$20</td> </tr> </tbody> </table> Includes user guide, WKEY Lift-out key, and HB 65.		Component	List	HMK-C2-W	\$20						
Component	List														
HMK-C2-W	\$20														
	WS 5-SS	\$255		WS 5-SS	\$255										
	WS 5-PS	\$320		WS 5-PS	\$320										
	WS 5-ORB	\$320		WS 5-ORB	\$320										
	WS 5-SB	\$320		WS 5-SB	\$320										
	WS 5-BK	\$320		WS 5-BK	\$320										
	(4 7/8" L x 4 7/8" W x 3/16" H) - 1 lbs			(4 7/8" L x 4 7/8" W x 3/16" H) - 1 lbs											

THROAT	2" Throat		List	5x5 - 4" Throat		List
		T 52-SS	\$235		T 54-SS	\$390
		T 52-PS	\$315		T 54-PS	\$470
		T 52-ORB	\$315		T 54-ORB	\$470
		T 52-SB	\$315		T 54-SB	\$470
		T 52-BK	\$315		T 54-BK	\$470
	(5" L x 5" W x 1 13/16" H) - 2 lbs			(5" L x 5" W x 1 13/16" H) - 2 lbs		

PARTS	Component		List
		HB 65	\$5
		2" Hair Basket for T 42 throat	
		DKEY	\$5
		Lift-Out Key	
		MG 5	\$5
	Mud guard for 4"x4" throat		
	WKEY	\$5	
	Lift-Out Key for WS 4 Decorative Cover		
	HS 4	\$5	
	4" hair strainer for T 54 throat		

Roughs

The Rough Only Center Drain Kits include the throat and mud guard. Add clamp down drain to complete these are all of the components needed for installation.

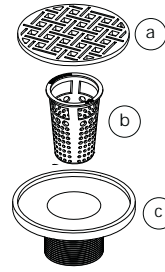
The decorative cover and hair maintenance kit can be purchased separately and are not needed for installation. The hair maintenance kit includes the user guide, lift-out key and hair basket.

ROUGHS	5x5 - 2" Roughs Throat & Mud Guard		List
		RG-T52-SS	\$240
		RG-T52-PS	\$320
		RG-T52-ORB	\$320
		RG-T52-SB	\$320
		RG-T52-BK	\$320

*See page 155-156 for drain bodies

Components

5" Round Center Drains



- (a) Decorative Plate
- (b) Hair Basket
- (c) Throat

DECORATIVE COVERS

Link	List
RKS 5-SS	\$130
RKS 5-PS	\$170
RKS 5-ORB	\$170
RKS 5-SB	\$170
RKS 5-BK	\$170

(4 7/16" L x 4 7/16" W x 3/16" H) - 1 lbs

Squares	List
RQS 5-SS	\$130
RQS 5-PS	\$170
RQS 5-ORB	\$170
RQS 5-SB	\$170
RQS 5-BK	\$170

(4 7/16" L x 4 7/16" W x 3/16" H) - 1 lbs

Moor	List
RMS 5-SS	\$130
RMS 5-PS	\$170
RMS 5-ORB	\$170
RMS 5-SB	\$170
RMS 5-BK	\$170

(4 7/16" L x 4 7/16" W x 3/16" H) - 1 lbs

Weave	List
RVS 5-SS	\$130
RVS 5-PS	\$170
RVS 5-ORB	\$170
RVS 5-SB	\$170
RVS 5-BK	\$170

(4 7/16" L x 4 7/16" W x 3/16" H) - 1 lbs

Lines	List
RNS 5-SS	\$130
RNS 5-PS	\$170
RNS 5-ORB	\$170
RNS 5-SB	\$170
RNS 5-BK	\$170

(4 7/16" L x 4 7/16" W x 3/16" H) - 1 lbs

HAIR MAINTENANCE KIT	
Component	List
HMK-C2-D	\$20
Includes user guide, DKEY Lift-out key, and HB 65.	

+

Wedge Wire	List
RWS 5-SS	\$255
RWS 5-PS	\$320
RWS 5-ORB	\$320
RWS 5-SB	\$320
RWS 5-BK	\$320

(4 7/16" L x 4 7/16" W x 3/16" H) - 1 lbs

HAIR MAINTENANCE KIT	
Component	List
HMK-C2-W	\$20
Includes user guide, WKEY Lift-out key, and HB 65.	

+

THROAT

2" Throat	List
R 52-SS	\$235
R 52-PS	\$315
R 52-ORB	\$315
R 52-SB	\$315
R 52-BK	\$315

(5" L x 5" W x 1 13/16" H) - 2 lbs

HIGH FLOW		5x5 - 4" Throat	List
	R 54-SS	\$390	
	R 54-PS	\$470	
	R 54-ORB	\$470	
	R 54-SB	\$470	
	R 54-BK	\$470	

(5" L x 5" W x 1 13/16" H) - 2 lbs

PARTS

Component	List
HB 65	\$5
2" Hair Basket for T 42 throat	

Component	List
DKEY	\$5
Lift-Out Key	

Component	List
RMG 5	\$5
Mud guard for 4"x4" throat	

Component	List
WKEY	\$5
Lift-Out Key for WS 4 Decorative Cover	

Component	List
HS 4	\$5
4" hair strainer for T 54 throat	

Roughs

The Rough Only Center Drain Kits include the throat and mud guard. Add clamp down drain to complete these are all of the components needed for installation.

The decorative cover and hair maintenance kit can be purchased separately and are not needed for installation. The hair maintenance kit includes the user guide, lift-out key and hair basket.

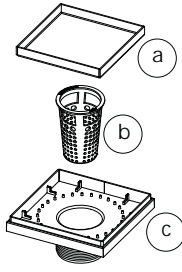
ROUGHS

5x5 - 2" Roughs Throat & Mud Guard	List
RG-R52-SS	\$240
RG-R52-PS	\$320
RG-R52-ORB	\$320
RG-R52-SB	\$320
RG-R52-BK	\$320

*See page 155-156 for drain bodies

Components

Center Drain Pro-Series



- (a) Decorative Cover
- (b) Hair Basket
- (c) TL 52 - 2" Throat

DECORATIVE COVERS

Tile Tray	List
LTS 5-SS	\$65
LTS 5-PS	\$105
LTS 5-ORB	\$105
LTS 5-SB	\$105
LTS 5-BK	\$105
(4 7/8" L x 4 7/8" W x 3/16" H) 1 lbs	

Solid	List
LSS 5-SS	\$65
LSS 5-PS	\$105
LSS 5-ORB	\$105
LSS 5-SB	\$105
LSS 5-BK	\$105
(4 7/8" L x 4 7/8" W x 3/16" H) 1 lbs	

Squares	List
LQS 5-SS	\$65
LQS 5-PS	\$105
LQS 5-ORB	\$105
LQS 5-SB	\$105
LQS 5-BK	\$105
(4 7/8" L x 4 7/8" W x 3/16" H) 1 lbs	

Slotted	List
LNS 5-SS	\$65
LNS 5-PS	\$105
LNS 5-ORB	\$105
LNS 5-SB	\$105
LNS 5-BK	\$105
(4 7/8" L x 4 7/8" W x 3/16" H) 1 lbs	

+

HAIR MAINTENANCE KIT	
Component	List
HMK-C2-D	\$20
Includes user guide, DKEY Lift-out key, and HB 65.	

PARTS

Component	List
HB 65	\$5
2" Hair Basket for T 42 throat	

Component	List
DKEY	\$5
Lift-Out Key	

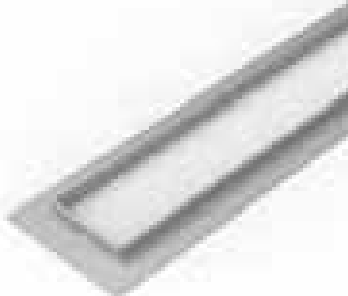
THROAT


5x5 - 2" Throat	List
TL 52-SS	\$50
TL 52-PS	\$70
TL 52-ORB	\$70
TL 52-SB	\$70
TL 52-BK	\$70
(5" L x 5" W x 1 13/16" H) - 2 lbs	


Components

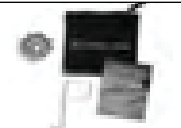
NEW Universal Infinity Drain®

GRATE	QA 65 Squares 	24" Grate	List	30" Grate	List	32" Grate	List	36" Grate	List
		QA 6524 SS	\$120	QA 6530 SS	\$130	QA 6532 SS	\$135	QA 6536 SS	\$145
		QA 6524 PS	\$135	QA 6530 PS	\$145	QA 6532 PS	\$150	QA 6536 PS	\$160
		(23 7/8" L x 2 1/2" W x 3/4" H)		(29 7/8" L x 2 1/2" W x 3/4" H)		(31 7/8" L x 2 1/2" W x 3/4" H)		(35 7/8" L x 2 1/2" W x 3/4" H)	
		42" Grate	List	48" Grate	List	54" Grate	List	60" Grate	List
		QA 6542 SS	\$145	QA 6548 SS	\$155	QA 6554 SS	\$175	QA 6560 SS	\$195
	QA 6542 PS	\$160	QA 6548 PS	\$170	QA 6554 PS	\$190	QA 6560 PS	\$210	
	(41 7/8" L x 2 1/2" W x 3/4" H)		(47 7/8" L x 2 1/2" W x 3/4" H)		(53 7/8" L x 2 1/2" W x 3/4" H)		(59 7/8" L x 2 1/2" W x 3/4" H)		
	NA 65 Tile Insert 	24" Grate	List	30" Grate	List	32" Grate	List	36" Grate	List
		NA 6524 SS	\$170	NA 6530 SS	\$180	NA 6532 SS	\$185	NA 6536 SS	\$195
(23 7/8" L x 2 1/2" W x 3/4" H)		(29 7/8" L x 2 1/2" W x 3/4" H)		(31 7/8" L x 2 1/2" W x 3/4" H)		(35 7/8" L x 2 1/2" W x 3/4" H)			
42" Grate		List	48" Grate	List	54" Grate	List	60" Grate	List	
NA 6542 SS		\$195	NA 6548 SS	\$205	NA 6554 SS	\$225	NA 6560 SS	\$245	
(41 7/8" L x 2 1/2" W x 3/4" H)		(47 7/8" L x 2 1/2" W x 3/4" H)		(53 7/8" L x 2 1/2" W x 3/4" H)		(59 7/8" L x 2 1/2" W x 3/4" H)			

CLAMPING COLLAR		Description	Model	List	Description	Model	List
		24" x 1/2" Clamping Collar	CCL 24 SS	\$55	24" x 1" Clamping Collar	CCH 24 SS	\$55
			CCL 24 PS	\$60		CCH 24 PS	\$60
		30" x 1/2" Clamping Collar	CCL 30 SS	\$60	30" x 1" Clamping Collar	CCH 30 SS	\$60
			CCL 30 PS	\$65		CCH 30 PS	\$65
		32" x 1/2" Clamping Collar	CCL 32 SS	\$60	32" x 1" Clamping Collar	CCH 32 SS	\$60
			CCL 32 PS	\$65		CCH 32 PS	\$65
		36" x 1/2" Clamping Collar	CCL 36 SS	\$60	36" x 1" Clamping Collar	CCH 36 SS	\$60
			CCL 36 PS	\$65		CCH 36 PS	\$65
		42" x 1/2" Clamping Collar	CCL 42 SS	\$70	42" x 1" Clamping Collar	CCH 42 SS	\$70
			CCL 42 PS	\$75		CCH 42 PS	\$75
		48" x 1/2" Clamping Collar	CCL 48 SS	\$75	48" x 1" Clamping Collar	CCH 48 SS	\$75
			CCL 48 PS	\$80		CCH 48 PS	\$80
		54" x 1/2" Clamping Collar	CCL 54 SS	\$75	54" x 1" Clamping Collar	CCH 54 SS	\$75
			CCL 54 PS	\$80		CCH 54 PS	\$80
		60" x 1/2" Clamping Collar	CCL 60 SS	\$75	60" x 1" Clamping Collar	CCH 60 SS	\$75
			CCL 60 PS	\$80		CCH 60 PS	\$80

CHANNEL		Description	Channel	Model	List
		24" Channel for Universal Infinity Drain	ABS Channel	UC 24-ABS	\$60.00
			PVC Channel	UC 24-PVC	\$60.00
		30" Channel for Universal Infinity Drain	ABS Channel	UC 30-ABS	\$65.00
			PVC Channel	UC 30-PVC	\$65.00
		32" Channel for Universal Infinity Drain	ABS Channel	UC 32-ABS	\$70.00
			PVC Channel	UC 32-PVC	\$70.00
		36" Channel for Universal Infinity Drain	ABS Channel	UC 36-ABS	\$75.00
			PVC Channel	UC 36-PVC	\$75.00
		42" Channel for Universal Infinity Drain	ABS Channel	UC 42-ABS	\$80.00
			PVC Channel	UC 42-PVC	\$80.00
		48" Channel for Universal Infinity Drain	ABS Channel	UC 48-ABS	\$85.00
			PVC Channel	UC 48-PVC	\$85.00
		54" Channel for Universal Infinity Drain	ABS Channel	UC 54-ABS	\$90.00
PVC Channel	UC 54-PVC		\$90.00		
60" Channel for Universal Infinity Drain	ABS Channel	UC 60-ABS	\$95.00		
	PVC Channel	UC 60-PVC	\$95.00		

HMK		Component	List
		HMK-U	\$20
		Hair Maintenance Kit for USQ Series	

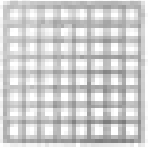

HMK		Component	List
		HMK-T	\$20
		Hair Maintenance Kit for UTIF Series	

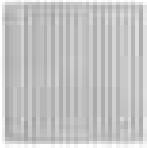
A black and white photograph of a shower stall. The floor is covered in large, dark square tiles with light-colored grout. The walls are covered in a complex, woven pattern that resembles a basketweave or a similar textile texture. The lighting is dramatic, with strong shadows and highlights, creating a sense of depth and texture.

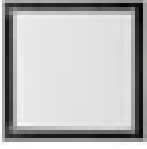
Stainless Steel Shower Base Components


Components

NEW Stainless Steel Shower Base - Center Drain

DECORATIVE COVERS		Squares	List
		QS 5-SS	\$95
		QS 5-PS	\$125
		QS 5-ORB	\$125
		QS 5-SB	\$125
		QS 5-BK	\$125
		Lines	List
		NS 5-SS	\$95
		NS 5-PS	\$125
		NS 5-ORB	\$125
NS 5-SB		\$125	
NS 5-BK		\$125	

	Wedge Wire	List
	WS 5-SS	\$170
	WS 5-PS	\$195
	WS 5-ORB	\$195
	WS 5-SB	\$195
	WS 5-BK	\$195

	Tile Insert	List
	BTI 5 SS	\$170
	BTI 5 PS	\$205
	BTI 5 ORB	\$205
	BTI 5 SB	\$205
	BTI 5 BK	\$205

PARTS		Component	List
		BGF 5	\$20
		5" x 5" Grate frame for Stainless Steel Shower Base (Not for use with BTI 5)	

SHOWER BASE	Drain Location	Threshold	Model	Finish	List	
	5"x 5" Square Drain with Center Location		Curbed	BCC-3060		\$3395
			Barrier Free	BCC-H-3060		\$3395
	5"x 5" Square Drain with Left Location		Curbed	BCL-3060		\$3395
			Barrier Free	BCL-H-3060		\$3395
	5"x 5" Square Drain with Right Location		Curbed	BCR-3060		\$3395
			Barrier Free	BCR-H-3060		\$3395

Components

NEW Stainless Steel Shower Base - Linear Drain

GRATE	 <p>UA 65 Slotted</p>	25" Grate	List	57" Grate	List	
		UA 6525 SS	\$130	UA 6557 SS	\$325	
		UA 6525 PS	\$220	UA 6557 PS	\$550	
		UA 6525 ORB	\$220	UA 6557 ORB	\$550	
		UA 6525 SB	\$220	UA 6557 SB	\$550	
		UA 6525 BK	\$220	UA 6557 BK	\$550	
	(25 1/8" L x 2 7/8" W x 1" H) 8 lbs		(57 1/8" L x 2 7/8" W x 1" H) 10 lbs			
	 <p>LA 65 Tile Insert</p>	25" Grate	List	57" Grate	List	
		LA 6525 SS	\$275	LA 6557 SS	\$620	
		LA 6525 PS	\$315	LA 6557 PS	\$715	
		LA 6525 ORB	\$315	LA 6557 ORB	\$715	
		LA 6525 SB	\$315	LA 6557 SB	\$715	
		LA 6525 BK	\$315	LA 6557 BK	\$715	
	(25 1/8" L x 2 7/8" W x 1" H) 8 lbs		(57 1/8" L x 2 7/8" W x 1" H) 10 lbs			
	 <p>SA 65 Wedge Wire</p>	25" Grate	List	57" Grate	List	
		SA 6525 SS	\$450	SA 6557 SS	\$1000	
		SA 6525 PS	\$550	SA 6557 PS	\$1240	
		SA 6525 ORB	\$550	SA 6557 ORB	\$1240	
SA 6525 SB		\$550	SA 6557 SB	\$1240		
SA 6525 BK		\$550	SA 6557 BK	\$1240		
(25 1/8" L x 2 7/8" W x 1" H) 8 lbs		(57 1/8" L x 2 7/8" W x 1" H) 10 lbs				

SHOWER BASE	Drain Location	Threshold	Model	Finish	List	
	Linear Drain with Back Wall Location		Curbed	BLC-3060		\$2895
			Barrier Free	BLC-H-3060		\$2895
	Linear Drain with Left Wall Location		Curbed	BLL-3060		\$2895
			Barrier Free	BLL-H-3060		\$2895
	Linear Drain with Right Wall Location		Curbed	BLR-3060		\$2895
			Barrier Free	BLR-H-3060		\$2895


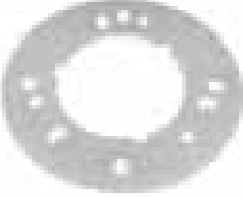
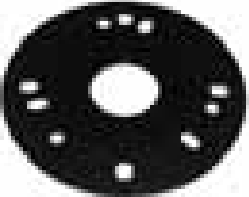










Drain Bodies and Bonded Flanges






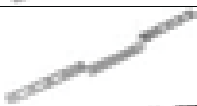








	Model	Description	Lbs	List
	CDI 22	Clamp Down Drain, Cast Iron, No Hub 2" Throat, 2" No Hub Outlet, 3 3/4" width.	5	\$85
	CDIH 22	Clamp Down Drain for Hot Mop, Cast Iron, No Hub 2" Throat, 2" No Hub Outlet, 3 3/4" width.	5	\$85
	CDI 42	Clamp Down Drain, Cast Iron, 4" Throat, 2" No Hub Outlet, 8" overall diameter	8	\$125
	CDI 43/ CDI 43W	Clamp Down Drain, Cast Iron, 4" Throat, 3" No Hub Outlet, 8" overall diameter	9	\$125
	CDA 22	Clamp Down Drain, ABS, 2" Throat, 2" Outlet, 3 3/4" width. *Outlet fits over 2" and inside 3" schedule 40 DWV pipe	2	\$65
	CDA 42	Clamp Down Drain, ABS, 4" Throat, 2" Outlet, 8" overall diameter *Outlet fits over 2" and inside 3" schedule 40 DWV pipe	3	\$125
	CDA 43/ CDP 43W	Clamp Down Drain, ABS, 4" Throat, 3" Outlet, 8" overall diameter *Outlet fits over 3" and inside 4" schedule 40 DWV pipe	4	\$125
	CDP 22	Clamp Down Drain, PVC, 2" Throat, 2" Outlet, 3 3/4" width. *Outlet fits over 2" and inside 3" schedule 40 DWV pipe	2	\$65
	CDP 42/ CDP 42W	Clamp Down Drain, PVC, 4" Throat, 2" Outlet, 8" overall diameter *Outlet fits over 2" and inside 3" schedule 40 DWV pipe	3	\$125
	CDP 43/ CDP 43W	Clamp Down Drain, PVC, 4" Throat, 3" Outlet, 8" overall diameter *Outlet fits over 3" and inside 4" schedule 40 DWV pipe	3	\$125
	CDIT 22	Clamp Down Drain, Cast Iron, 2" Throat, 2" threaded outlet, 3 3/4" width.	4	\$85
	CDIT 42	Clamp Down Drain, Cast Iron, 4" Throat, 2" threaded outlet, 8" overall diameter	8	\$125
	CDIT 43	Clamp Down Drain, Cast Iron, 4" Throat, 3" threaded outlet, 8" overall diameter	8	\$125

Drain Bodies and Bonded Flanges

	Model	Description	Lbs	List
	CDIB 22	Clamp Down Drain, Cast Iron, No Hub 2" Throat, 2" No Hub Outlet, 6 1/2" overall diameter	5	\$85
	CDI 44	Clamp Down Drain, Cast Iron, 4" Throat, 4" No Hub Outlet, 8" overall diameter	12	\$125
	CDIC 22	Clamp Down Drain, Cast Iron, 2" Throat, 2" Inside Caulk Outlet, 6 1/2" overall diameter	4	\$85
	CDIC 42	Clamp Down Drain, Cast Iron, 4" Throat, 2" Inside Caulk Outlet, 8" overall diameter	8	\$125
	CDIC 43	Clamp Down Drain, Cast Iron, 4" Throat, 3" Inside Caulk Outlet, 8" overall diameter	8	\$125
	CDIS 22	Clamp Down Drain, Cast Iron, Integrated Trap 2" Throat, 2" Threaded Side Outlet, 6 3/4" overall diameter, overall height of drain body 5 3/16"	10	\$215
	CDIS 42	Clamp Down Drain, Cast Iron, Integrated Trap 4" Throat, 2" Threaded Side Outlet, 8" overall diameter, overall height of drain body 5 3/16"	12	\$375
	CDIQ 42	Clamp Down Drain, Cast Iron, Side Outlet No trap 4" Throat, 2" Outlet, 8" overall diameter, overall height of drain body 4"	9	\$325
	BFA 22	Bonded Flange, ABS Drain, 2" Throat fits 2", 3", and 4" Outlet, 12" overall diameter	2	\$125
	BFP 22	Bonded Flange, PVC Drain, 2" Throat fits 2", 3", and 4" Outlet, 12" overall diameter	2	\$125
	BFA 42	Bonded Flange, ABS Drain, 4" Throat fits 2", 3", and 4" Outlet, 12" overall diameter	2	\$125
	BFP 42	Bonded Flange, PVC Drain, 4" Throat, fits 2", 3", and 4" Outlet, 12" overall diameter	2	\$125
	BFS 22	Bonded Flange, Stainless Steel Drain, 2" Throat, 2" Outlet, 10" overall diameter	3	\$225
	BFS 42	Bonded Flange, Stainless Steel Drain, 4" Throat, 2" Outlet, 10" overall diameter	4	\$225

Parts

	Model	Description	List
	UCP 2	Universal 2" Clamping Plate, 6 1/2" overall diameter x 2" throat. Allows adaptation to hot mop type drain bodies; Oatey 151, EZ test, and Frank Pattern Instant Set. Works with 2" threaded nipple TNAS or S50 in S Series + FX Series products (except FX 125).	\$100
	UCP 4	Universal 4" Clamping Plate, 8" overall diameter x 4" throat. Allows adaptation to Zurn, Smith, Wade, Watts, Mifab, and Josam type 8" diameter clamping drain bodies for High Flow Strainers.	\$125
	UCP 42	Universal 4" x 2" Reducing Clamping Plate. Adapts 8" Diameter body to 2" throat.	\$125
	TNAS	1 1/2" Length x 2" Diameter straight threaded nipple for S-AS 65, S-LTIFAS 65, S-TIFAS 65 and all FX series except FX 125.	\$45
	TNAS-2	2" Length x 2" Diameter Straight Threaded Rescue nipple. All stainless steel S-AS 65, S-LTIFAS 65, S-TIFAS 65 and all FX series except FX 125.	\$75
	TNAS-3	3" Length x 2" Diameter Straight Threaded Rescue nipple. All stainless steel S-AS 65, S-LTIFAS 65, S-TIFAS 65 and all FX series except FX 125.	\$85
	TNAS-4	4" Length x 2" Diameter Straight Threaded Rescue nipple. All stainless steel S-AS 65, S-LTIFAS 65, S-TIFAS 65 and all FX series except FX 125.	\$95
	TNAS-T	2" Threaded Nipple - Tapered Thread. Threaded nipple all stainless steel standard 2" diameter nipple to fit into FIP pipe.	\$55
	TNRN-P	PVC Threaded Nipple extends 2 3/8" to the S50 or TNAS nipple.	\$40
	TNRN-S	Stainless Steel Threaded Nipple extends 2 3/8" to the S50 or TNAS nipple.	\$200
	TNRN-4	4" Cast Iron Threaded Nipple extends 1 3/4" - 3 1/2" to the TN4A, TD Series, and High Flow Strainers.	\$110
	TN4A	4" Threaded Nipple - Straight Thread. All stainless steel, 4" diameter for FX 125 series.	\$200
	RB 32	3" to 2" Stainless Steel Reducer Bushing	\$95

	Model	Description	List
	AKEY	Lift out key for S-AG, S-AS, S-TIF, S-TIFAS, FXAS, FXTIF, FXIG, FXSG, FFAS, FFTIF, FFIG, FFSG, FTAS, FTTIF, FTIG, FTSG Series	\$5
	DKEY	Lift out key for S-DG, FXDG, FXMN, FFDG, FFMN, FTDG, FTMN, and Center Drains	\$5
	SKEY	Lift out key for FFST, FCSST and FCBST	\$5
	WKEY	Lift out key for wedge wire center drains (WD 4, WD 5, RWD 5)	\$5
	ST 65	Placement Brackets - Allows FT 65 series products to recess 3/4" into subfloor.	\$50
	ST 125	Placement Brackets - Allows FF 125 series products to recess 1" into subfloor.	\$55
	ME 96 SS ME 96 PS ME 96 ORB ME 96 SB ME 96 BK	Tile Edge Profile for FF, FCB, FCS, and FT installations. 3/8 x 5/8 x 96"	\$75 \$85 \$85 \$85 \$85
	HB 32	2" Hair Basket fits linear drain 38 series	\$5
	HB 32B	2" Hair Basket in black, fits linear drain 38 series	\$5
	HB 65	2" Hair Basket fits standard flow drains and linear drain 65 series, except FT 65	\$5
	HB 65B	2" Hair Basket in black, fits standard flow drains and linear drain 65 series, except FT 65	\$5
	HS 4	4" Hair Strainer fits high flow drains, except S-AS 99, S-LTIFAS 99, and S-TIFAS 99	\$5
	HS 2	2" Hair Strainer	\$5
	CRS 2	Stainless Steel Clamping Plate to fit CDI 22, CDP 22, and CDA 22	\$100

NEW Hair Maintenance Kits



Infinity Drain complete kits come with a Hair Maintenance Kit. These Hair Maintenance kits are packed in canvas pouches that include an improved lift-out key, new patented hair basket, and a Care & Maintenance User Guide on how to easily maintain your drain.

Note: All drain complete kits include a user guide and lift-out key. Some drain designs do not allow access for the new hair basket and a hair strainer is provided or no hair strainer is provided.

See pages 191-192 for details on drain maintenance.

Linear Drain 38 Series

	Model	Description	List
	HMK-38-A	Includes user guide, AKEY Lift-out key, and HB 32 Hair Basket. Included in the following complete kits with one outlet (60" and shorter):	\$20
	HMK-38-2A	Includes user guide, AKEY Lift-out key, and (2) HB 32 Hair Baskets. Included in the following complete kits with two outlets (72" and longer):	\$25
	HMK-38-D	Includes user guide, DKEY Lift-out key, and HB 32 Hair Basket. Included in the following complete kits with one outlet (60" and shorter):	\$20
	HMK-38-2D	Includes user guide, DKEY Lift-out key, and (2) HB 32 Hair Baskets. Included in the following complete kits with two outlets (72" and longer):	\$25

Slot Linear Drain Series

	Model	Description	List
	HMK-S	Hair Maintenance Kit for the FFST, FCSST and FCBST series. Includes user guide, SKEY Lift-out key, and HS 2 Hair Strainer.	\$20

Linear Drain 25, 99, 125, and FT Series

	Model	Description	List
	HMK-A	Includes user guide and AKEY Lift-out key. Included in the following complete kits:	\$15

Universal Infinity Drain Series







	Model	Description	List
	HMK-U	Hair Maintenance Kit for the Universal Infinity Drain series (USQ). Includes user guide, DKEY Lift-out key, and HS 2 Hair Strainer.	\$20
	HMK-T	Hair Maintenance Kit for the Universal Infinity Drain series (UTIF). Includes user guide, AKEY Lift-out key, and HS 2 Hair Strainer.	\$20

Linear Drain FXAS 125 Series








	Model	Description	List
	HMK-A4	Includes user guide, AKEY Lift-out key, and HS 4 Hair Strainer.	\$20

NEW Hair Maintenance Kits

Linear Drain 65 Series

	Model	Description	List
	HMK-65-A	Includes user guide, AKEY Lift-out key, and HB 65 Hair Basket. Included in the following complete kits with one outlet (60" and shorter): All finishes: <ul style="list-style-type: none"> • S-AG 65 • S-LAG 65 • S-LT 65 • S-TIF 65 • S-LTIF 65 • S-AG 100 • FXSG 65 <ul style="list-style-type: none"> • FXTIF 65 • FFIG 65 • FFSG 65 • FFTIF 65 • FFAS 65 • FCSIG 65 • FCSSG 65 <ul style="list-style-type: none"> • FCSTIF 65 • FCSAS 65 • FCBIG 65 • FCBSG 65 • FCBTIF 65 • FCBAS 65 <ul style="list-style-type: none"> SS, SB, PS: • S-AS 65 • S-TIFAS 65 • S-LTIFAS 65 • FXIG 65 • FXAS 65 	\$20
	HMK-65-2A	Includes user guide, AKEY Lift-out key, and (2) HB 65 Hair Baskets. Included in the following complete kits with two outlets (72" and longer): Sain Stainless, Satin Bronze, and Polished Stainless: <ul style="list-style-type: none"> • S-AS 65 • S-LTIFAS 65 • S-TIFAS 65 	\$25
	HMK-65B-A	Includes user guide, AKEY Lift-out key, and HB 65B Hair Basket in black. Included in the following complete kits with one outlet (60" and shorter): Oil Rubbed Bronze and Matte Black: <ul style="list-style-type: none"> • S-AS 65 • S-LTIFAS 65 • S-TIFAS 65 • FXAS 65 • FXIG 65 	\$20
	HMK-65B-2A	Includes user guide, AKEY Lift-out key, and (2) HB 65B Hair Basket in black. Included in the following complete kits with two outlets (72" and shorter): Oil Rubbed Bronze and Matte Black: <ul style="list-style-type: none"> • S-AS 65 • S-LTIFAS 65 • S-TIFAS 65 	\$25
	HMK-65-D	Includes user guide, DKEY Lift-out key, and HB 65 Hair Basket. Included in the following complete kits with one outlet (60" and shorter): <ul style="list-style-type: none"> • S-DG 65 	\$20
	HMK-65-2D	Includes user guide, DKEY Lift-out key, and HB 65 Hair Basket. Included in the following complete kits with two outlets (72" and longer): <ul style="list-style-type: none"> • S-DG 65 	\$25

Center Drains

	Model	Description	List
	HMK-C4-D	Hair Maintenance Kit for the TD 15 series in all finishes. This kit is also used for the High Flow Center Drain series (except the WD 5-3 and RWD 5-3 series) in the Satin Stainless, Polished Stainless, and Satin Bronze finishes. Includes user guide, DKEY Lift-out key, and HS 4 Hair Strainer.	\$20
	HMK-C4B-D	Hair Maintenance Kit for the High Flow Center Drain series (except the WD 5-3 and RWD 5-3 series) in the Oil Rubbed Bronze and Matte Black finishes. Includes user guide, DKEY Lift-out key, and HS 4B Hair Strainer.	\$20
	HMK-C2-D	Hair Maintenance Kit for the TD 5 series in all finishes. This kit is also used for the Standard Flow Center Drain series (except the WD 4, WD 5 and RWD 5 series) in the Satin Stainless, Polished Stainless, and Satin Bronze finishes. Includes user guide, DKEY Lift-out key, and HB 65 Hair Basket.	\$20
	HMK-C2B-D	Hair Maintenance Kit for the Standard Flow Center Drain series (except the WD 4, WD 5 and RWD 5 series) in the Oil Rubbed Bronze and Matte Black finishes. Includes user guide, DKEY Lift-out key, and HB 65B Hair Basket in black.	\$20
	HMK-C2-W	Hair Maintenance Kit for the WD 4-2, WD 5-2 and RWD 5-2 series in the Satin Stainless, Polished Stainless, and Satin Bronze finishes. Includes user guide, WKEY Lift-out key, and HB 65 Hair Basket.	\$20
	HMK-C2B-W	Hair Maintenance Kit for the WD 4-2, WD 5-2 and RWD 5-2 series in the Oil Rubbed Bronze and Matte Black finishes. Includes user guide, WKEY Lift-out key, and HB 65B Hair Basket in black.	\$20
	HMK-C4-W	Hair Maintenance Kit for the WD 5-3 and RWD 5-3 series in the Satin Stainless, Polished Stainless, and Satin Bronze finishes. Includes user guide, WKEY Lift-out key, and HS 4 Hair Strainer.	\$20
	HMK-C4B-W	Hair Maintenance Kit for the WD 5-3 and RWD 5-3 series in the Oil Rubbed Bronze and Matte Black finishes. Includes user guide, WKEY Lift-out key, and HS 4B Hair Strainer in black.	\$20

Displays

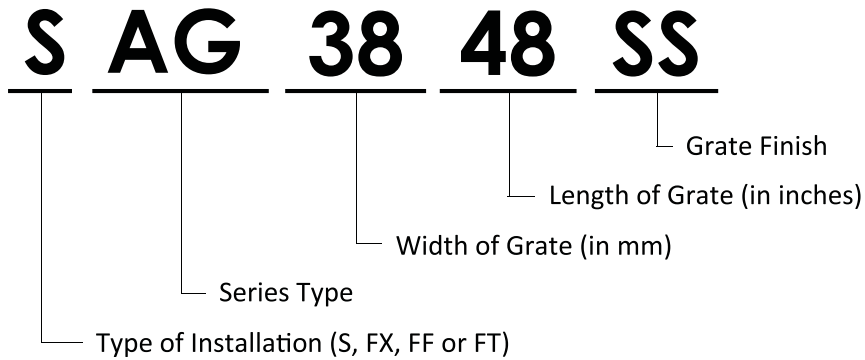
Price	SKU	Description	Image
\$150 Net	IDLB	Linear Display Board - with New Site Sizable® Low Profile 30" W x 18" H 15 lbs	
\$150 Net	IDCB	Center Display Board 30" W x 18" H 15 lbs	
\$150 Net	IDUDB	Universal Infinity Drain Display Board 30" W x 18" H 10 lbs	
\$150 Net	IDMF-FCS	ID Mini Floor Sample with Schluter®-Kerdi Fabric Waterproofing 19" W x 6" H x 9" D 7 lbs	
\$150 Net	IDMF-SS	ID Mini Floor Sample: Stainless Steel Site Sizable with Waterproofing (S-AS 65 SS) 14" W x 6" H x 9" D 9 lbs	
\$150 Net	IDMF-SL	ID Mini Floor Sample: PVC Site Sizable low profile with Waterproofing (S-LAG 38 SS) 14" W x 6" H x 9" D 9 lbs	
\$150 Net	IDMF-SLOT	ID Mini Floor Sample: Slot Linear Drain (FFST SS) 14" W x 6" H x 9" D 9 lbs	
\$15 Net	IDMAT-2	ID Counter Mat- Updated: February 2021 26" W x 17" H x 1/8" D 1 lbs	

Displays

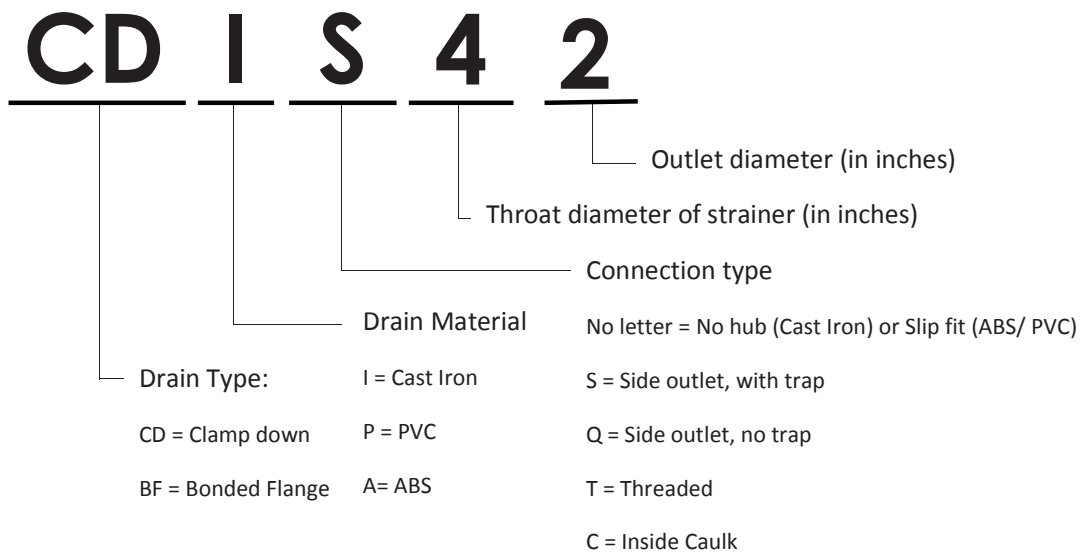
Price	SKU	Description	Image
\$25 Net	ID 10	10" Sample Kit of S-AG 38 in Satin Stainless with PVC Clamp Down Drain 7" W x 10" L x 5" H 3 lbs	
\$25 Net	ID 10L SS ID 10L PS ID 10L ORB ID 10L SB ID 10L BK	10" Sample Kit of S-LAG 38 (Low Profile) with PVC Clamp Down Drain Available in all five finishes. 7" W x 10" L x 5" H 3 lbs	
\$150 Net	ID 10S	10" Sample Kit of S-AS 65 in Satin Stainless with PVC Clamp Down Drain 7" W x 10" L x 5" H 6 lbs	
\$200 Net	IDUD	ID Universal Drain 24" Sample Drain in Satin Stainless: with sample waterproofing attached - (Vinyl liner and Schluter Kerdi Fabric) (USQ SS) 5" W x 26" L x 4" H 4 lbs	
\$250 Net	IDFCS	24" FCS Channel with UA 65 BK (Schluter Kerdi fabric attached) 5" W x 26" L x 4" H 4 lbs	
\$20 Net	IDKR	Finish Sample Chip Key Ring	
\$100 Net	IDRFK-SLP	Site Sizable Low Profile Retro Fit Kit for previous versions of IDRB. 4 lbs	
		Desktop Business Card Holder with 4"x4" Center Drain Grate 5" W x 5" L x 1" H - 2 lbs	
\$50 Net	IDCH-X ORB	<i>Criss-Cross Pattern in Oil Rubbed Bronze</i>	
\$50 Net	IDCH-Q SS	<i>Square Pattern in Satin Stainless</i>	
\$50 Net	IDCH-M SB	<i>Moor Pattern in Satin Bronze</i>	
\$50 Net	IDCH-V SS	<i>Weave Pattern in Satin Stainless</i>	
\$50 Net	IDCH-K PS	<i>Link Pattern in Polished Stainless</i>	
\$50 Net	IDCH-N BK	<i>Lines Pattern in Matte Black</i>	
\$50 Net	IDCH-W SS	<i>Wedge Wire in Satin Stainless</i>	
\$250 Net	IDBL	Stainless Steel Shower Base sample with integral linear drain 18" W x 12" L x 5" 10 lbs	

SKU Explanation

Linear Drain Kit Sku Explanation:



Drain Body Kit Sku Explanation



Icon Explanation



Drains that are compatible with Traditional Waterproofing

Waterproofing technique can help determine which linear drain series to specify. If using a traditional type of waterproofing, the professional will typically build a shower pan (wet waterproofed area) with PVC, Vinyl, Lead, Hot Mop, Copper or Fiberglass material. Infinity Drain's [S] and [FX] Series are recommended.



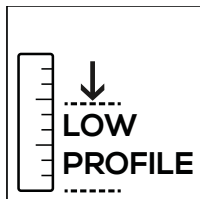
Drains that are compatible with Liquid/Fabric Waterproofing

Waterproofing technique can help determine which linear drain series to specify. If using a modern type of waterproofing such as liquid membrane or fabric sheet, the professional can more easily waterproof over a greater floor area to build a barrier free or zero threshold installation. Infinity Drain's [FF], [FCS] and [FT] Series are recommended for this type of waterproofing.



Site Sizable® Series

Infinity Drain's Site Sizable® linear drain channel and grate length can be cut on-site for an exact wall-to-wall installation, and the drain outlet can be located anywhere along the channel run. Also, Infinity Drain's Site Sizable® linear drains can be joined together to create infinite lengths for outdoor and indoor applications. We offer threaded and non-threaded outlets, 90° angle joiners, straight joiners, and custom fabrication.



Site Sizable® Low Profile Series

Infinity Drain's Site Sizable® linear drain channel and grate length can be cut on-site for an exact wall-to-wall installation, and the drain outlet can be located anywhere along the channel run. The new lower profile series reduces the PVC channel height from 1-5/8" to 1" and allows for easier installation of barrier free showers.



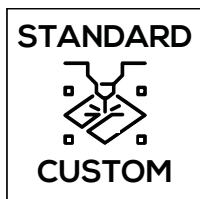
High Flow Drains

High flow drains are designed to connect to a 3" waste line. These drains are rated at 21 GPM and are ideal for showers that have multiple shower heads or body sprays.



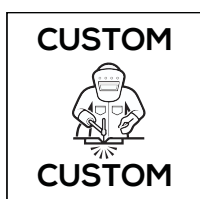
Next Day Custom

Next Day Custom Linear Drains are available in lengths up to 96" in five finishes, three grate styles and for all installation waterproofing methods. Purchase orders and sign-offs received by 10am ET will ship the following day



Standard Custom

Any of Infinity Drain's linear drain standard models are available for custom fabrication in lengths up to 96". Installation types include Fixed (FX), Fixed Flange (FF), Flanged with Schluter®- Kerdi (FCS), and Double Waterproofing (FCB), Tapered Threaded (FCH), Side Outlet (FT), Side Outlet with Schluter®- Kerdi (FTS), Side Outlet Tapered Threaded (OCH), and Sink Drains.



Custom-Custom

If you can imagine it, we can manufacture it. Infinity Drain® offers a variety of customized drainage solutions to your exact specification. Customization options include outlet locations, configuration, styles, finishes, shape, installation type, and length up to 300".

Installation

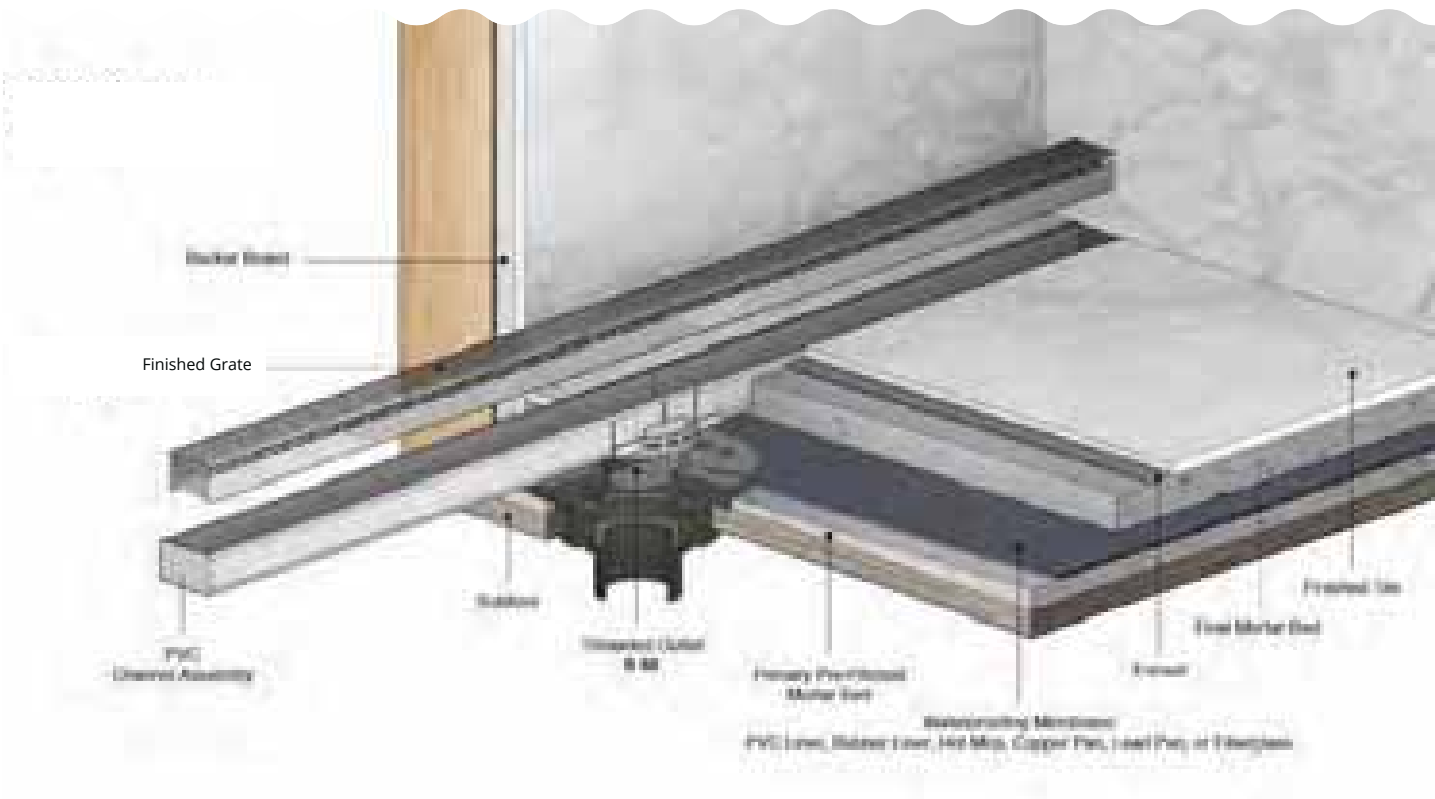
Site Sizable PVC

Installation

For an exact wall-to-wall installation. The channel and grate length can be cut on-site, and the drain outlet can be located anywhere along the channel run. Available in kit lengths or sold as individual components.

Waterproofing via clamping floor drain:

- ° Copper Pan
- ° Hot Mop
- ° PVC Liner
- ° Fiberglass
- ° Lead Pan
- ° Rubber Liner (Chloraloy®)



INSTALLATION VIDEOS ONLINE



youtube.com/IDInfinityDrain



SCAN TO WATCH

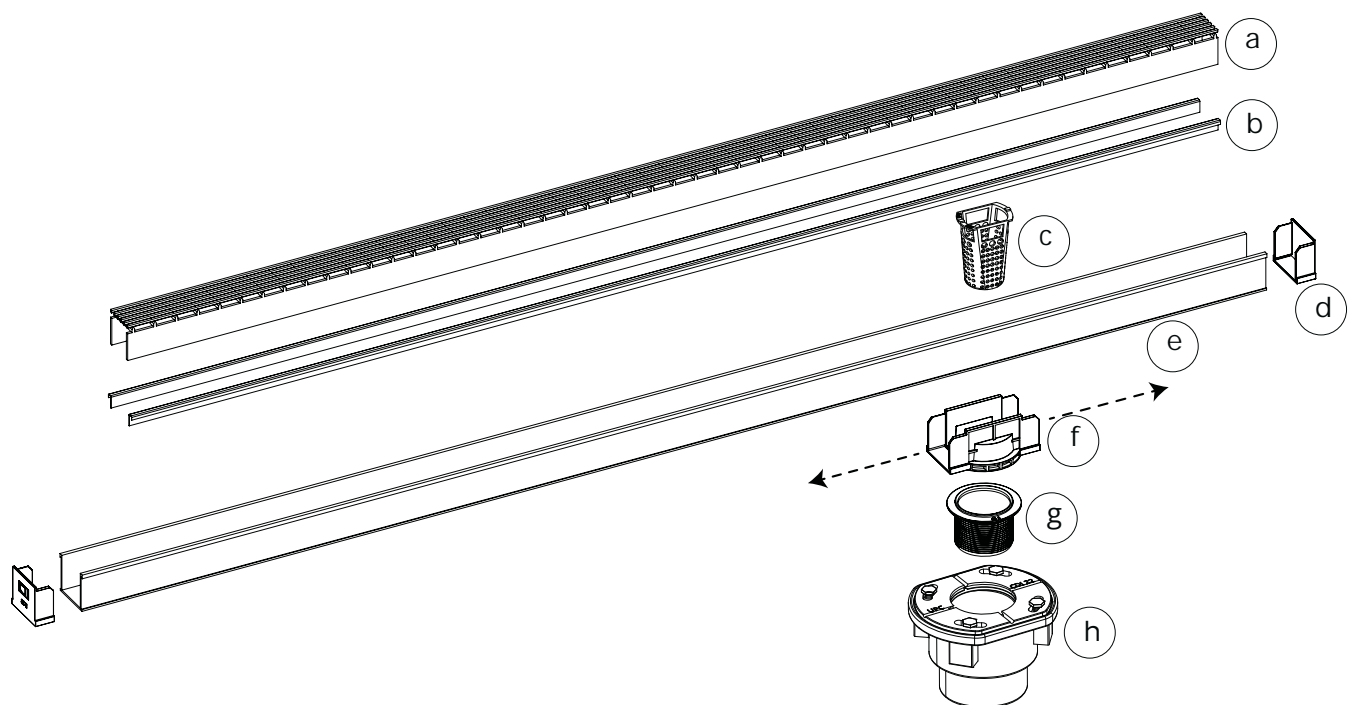
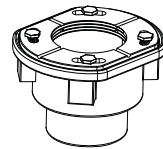
Installation

Site Sizable PVC

Complete Kits Include

Grate, PVC Channel, PVC Stop Ends, PVC Outlet Section(s), PVC Threaded Outlet(s), Channel Trim, Hair Basket(s), and Lift-Out Key.

- Requires 2" clamping floor drain with 2" throat
Not included in complete kit.



- (a) Stainless Steel Grate
- (b) CT - Channel Trim
- (c) HB 32 - Hair Basket
- (d) E 38 - PVC Stop End
- (e) G 38 - PVC Channel (ships as one piece)
- (f) S 32 - PVC Outlet Section
- (g) S 50 - PVC Threaded Outlet

- (h) 2 inch clamp down drain assembly
Not included in kit SKU.
(Material can be Cast Iron, ABS, or PVC)

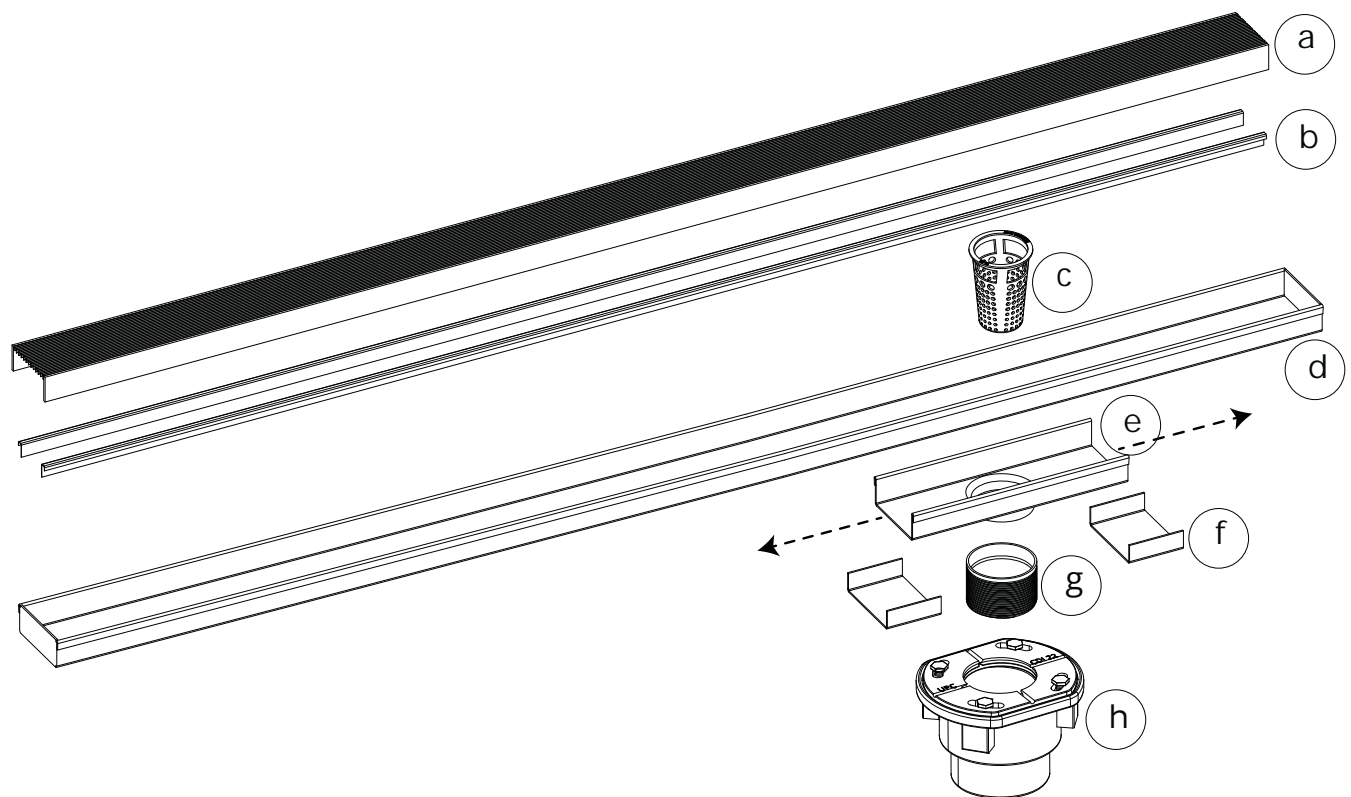
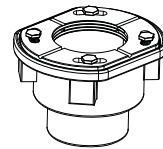
Installation

Site Sizable Stainless Steel

Complete Kits Include

Grate, Stainless Steel Channel, Stainless Steel Outlet Section(s), Hair Basket(s), Stainless Steel Joiner Strips, Threaded Nipple(s), Channel Trim, Construction Sealant, and Lift-Out Key.

- Requires 2" clamping floor drain with 2" throat
Not included in complete kit.



- (a) Stainless Steel Grate
- (b) CT - Channel Trim
- (c) HB 65 - Hair Basket
- (d) LC 65 - Stainless Steel Channel (ships as one piece)
- (e) LF 65 - Stainless Steel Outlet Section
- (f) GJS 65 - Stainless Steel Joiner Strip
- (g) TNAS - Threaded Nipple
- (h) 2 inch clamp down drain assembly
Not included in kit SKU.
(Material can be Cast Iron, ABS, or PVC)

Installation

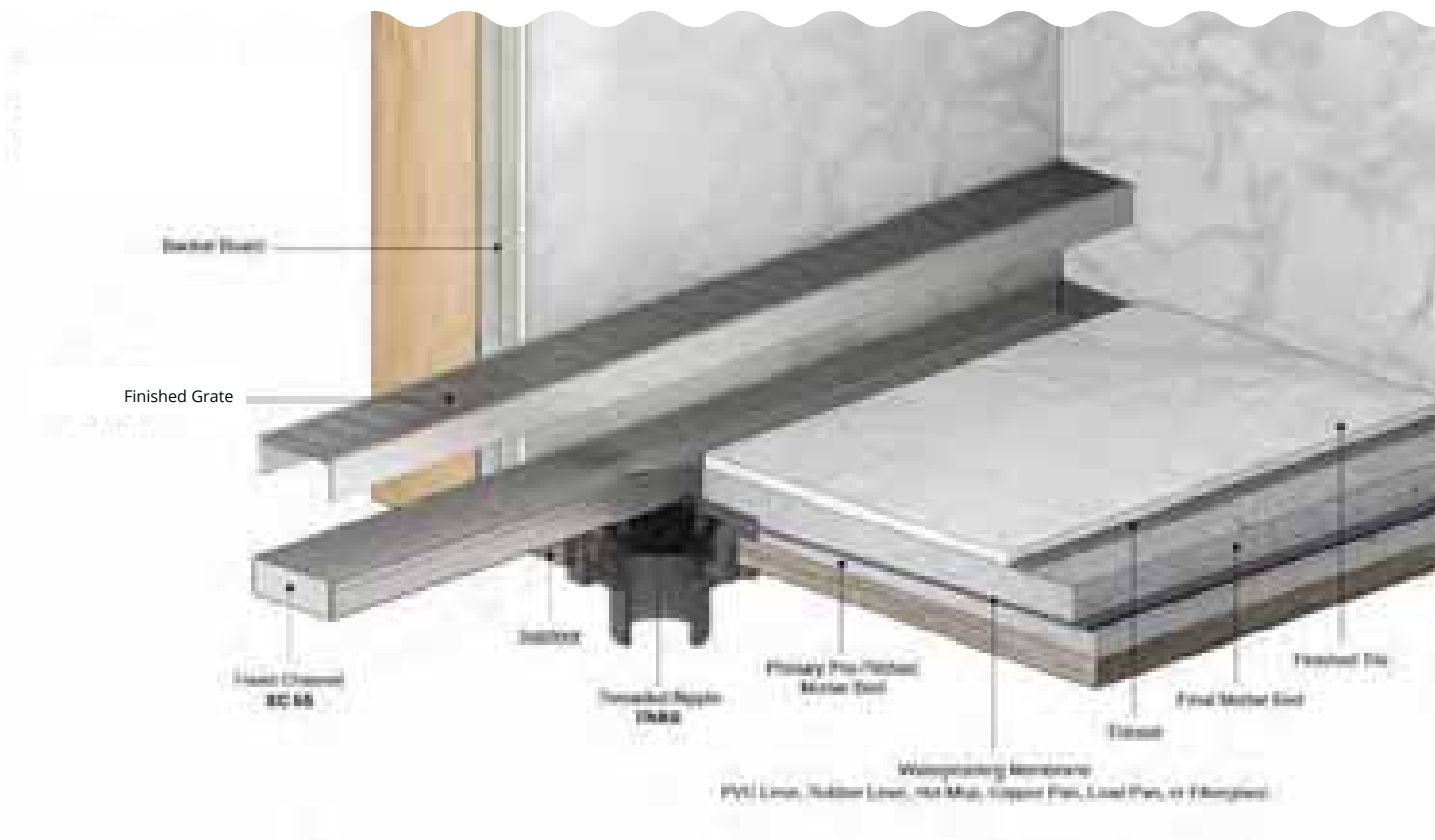
Fixed Length

Installation

A pitched channel with a set outlet location. Standard kit sizes or custom fabrication are available.

Waterproofing via clamping floor drain:

- Copper Pan
- Hot Mop
- PVC Liner
- Fiberglass
- Lead Pan
- Rubber Liner (Chloraloy®)



INSTALLATION VIDEOS ONLINE



youtube.com/IDInfinityDrain



SCAN TO WATCH

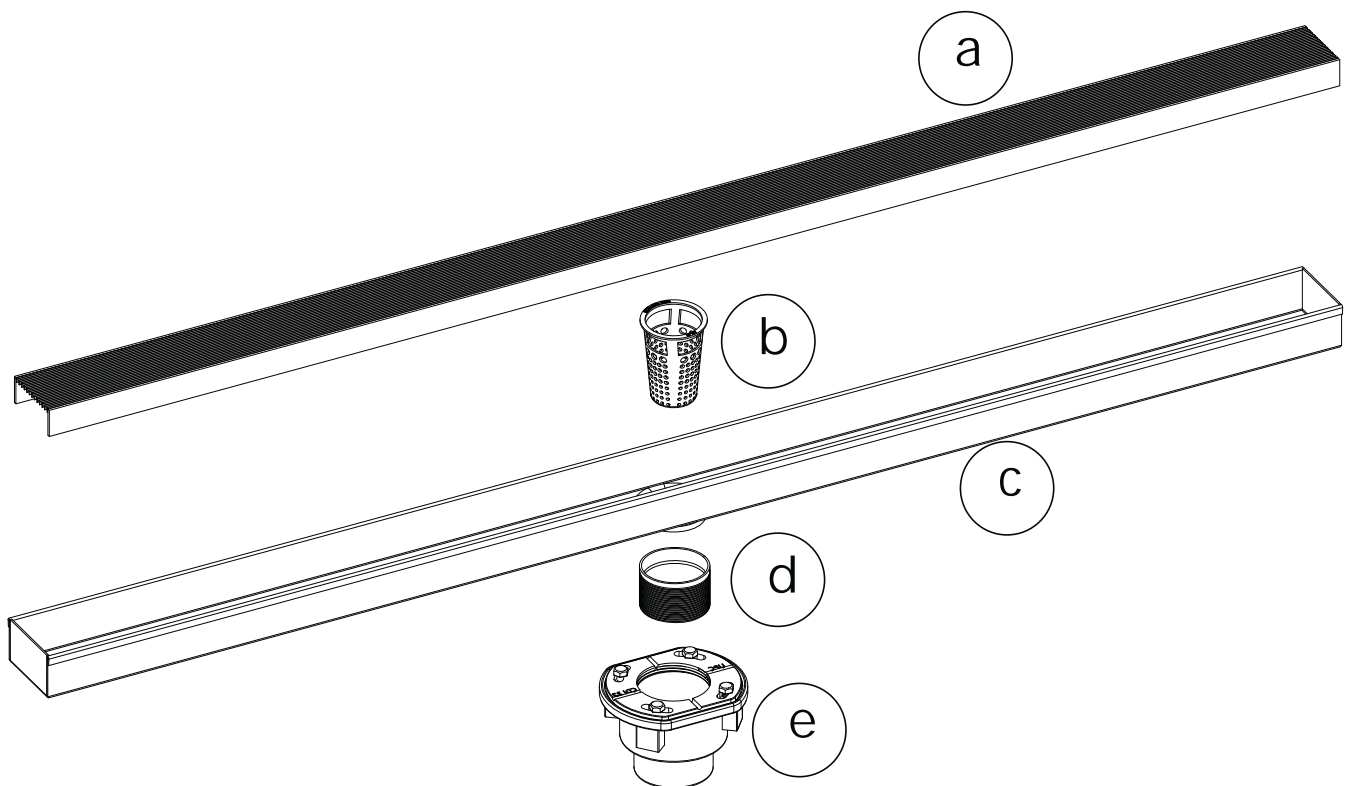
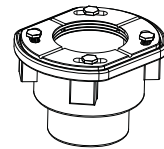
Installation

Fixed Length

Complete Kits Include

Grate, Fixed Channel, Threaded Nipple, Hair Basket, and Lift-Out Key.

- Requires 2" clamping floor drain with 2" throat
Not included in complete kit.



- (a) Stainless Steel Grate
- (b) HB 65 - Hair Basket
- (c) XC 65 - Stainless Steel Channel
- (d) TNAS - Threaded Nipple
- (e) 2 inch clamp down drain assembly
Not included in kit SKU.
(Material can be Cast Iron, ABS, or PVC)

Installation

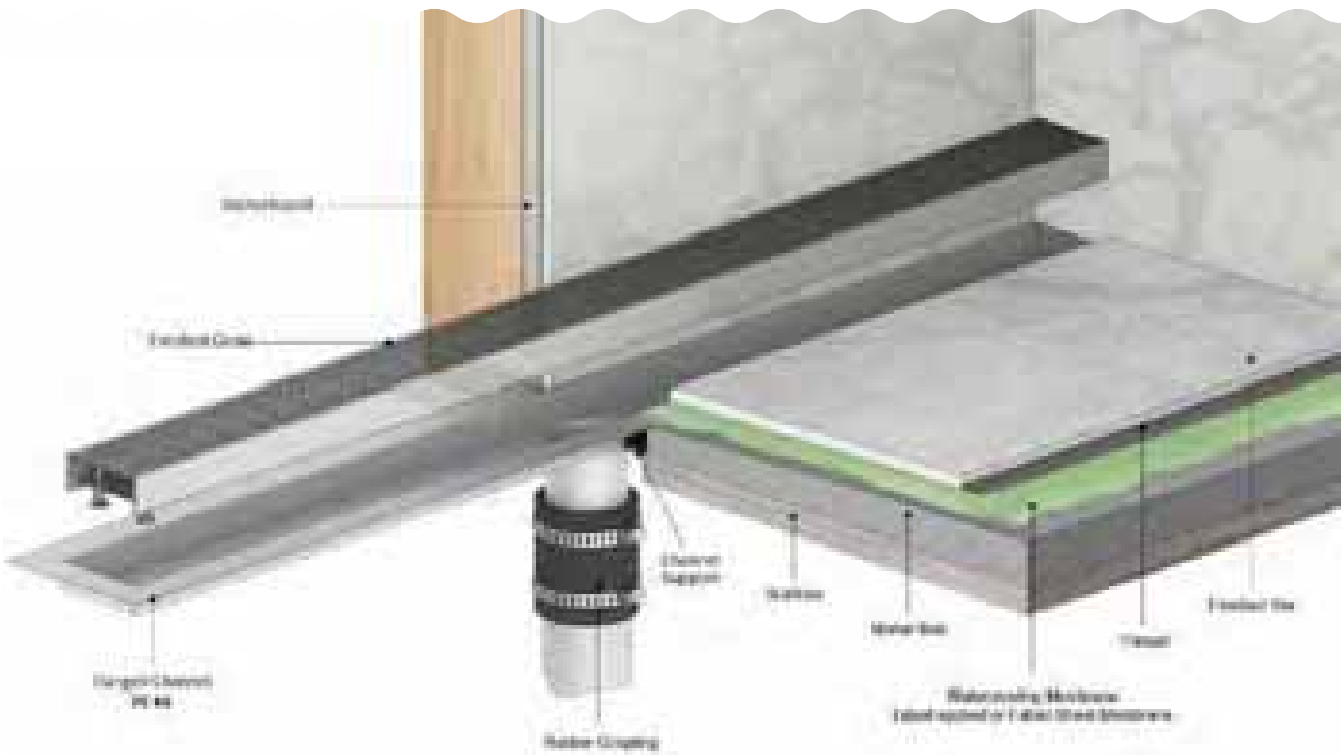
Fixed Flange

Installation

A pitched flanged channel with a set outlet location. Standard kits sizes or custom fabrication are available. Install with a liquid membrane or fabric sheet waterproofing methods (Bonded Flange). Outlet is vertical (down).

Waterproofing:

- ° Liquid Membrane
- ° Fabric Sheet



INSTALLATION VIDEOS ONLINE



youtube.com/IDInfinityDrain



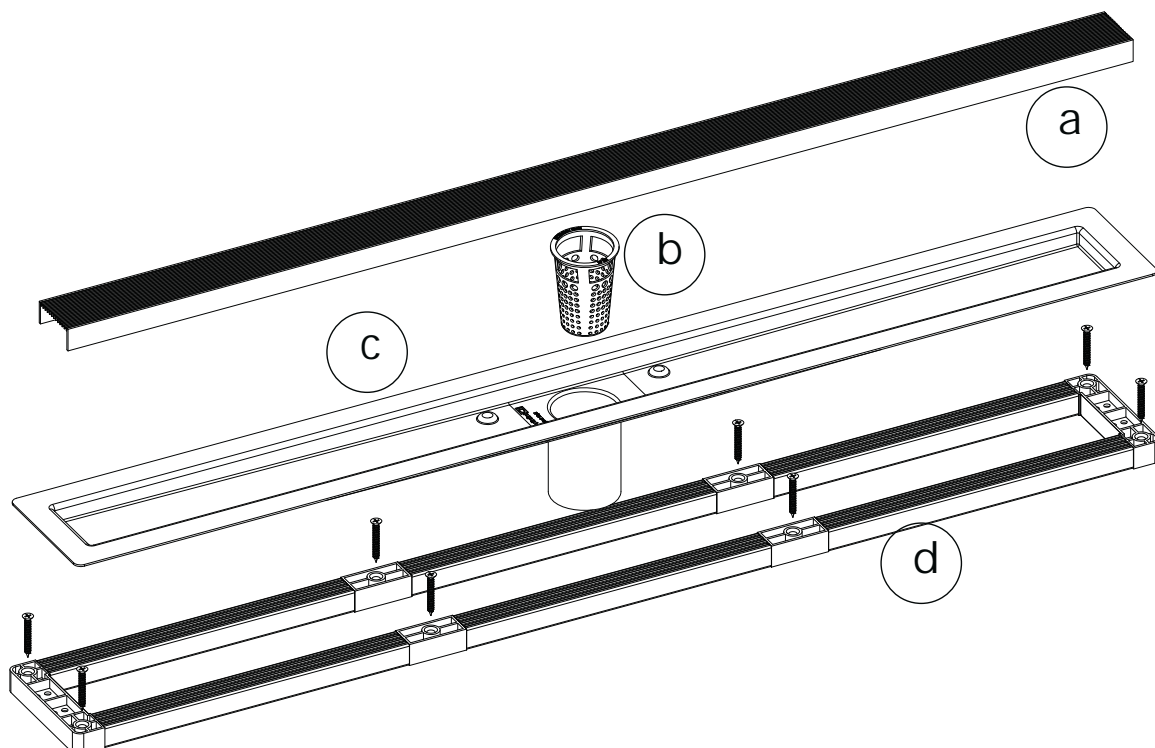
SCAN TO WATCH

Installation

Fixed Flange

Complete Kits Include

Grate, Fixed Flange Channel, Hair Basket, and Lift-Out Key.



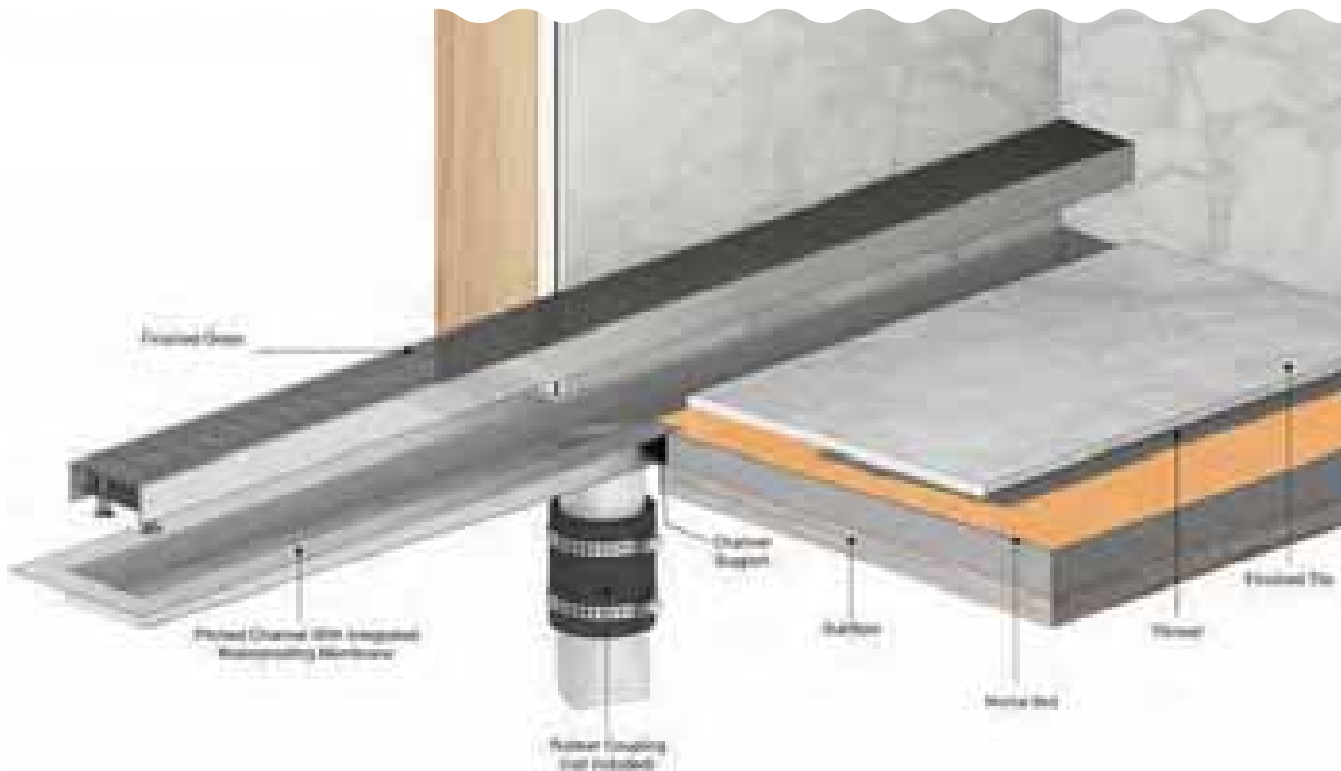
- (a) Stainless Steel Grate
- (b) HB 65 - Hair Basket
- (c) FC 65 - Stainless Steel Channel
- (d) ABS Channel Support

Installation

FCS - Fixed Flange with Schluter® Kerdi Waterproofing

Installation

A pitched flanged channel with a set outlet location. Standard kits sizes or custom fabrication are available. Install with a Schluter®-Kerdi system (Bonded Flange). Outlet is vertical (down).



INSTALLATION VIDEOS ONLINE



youtube.com/IDInfinityDrain



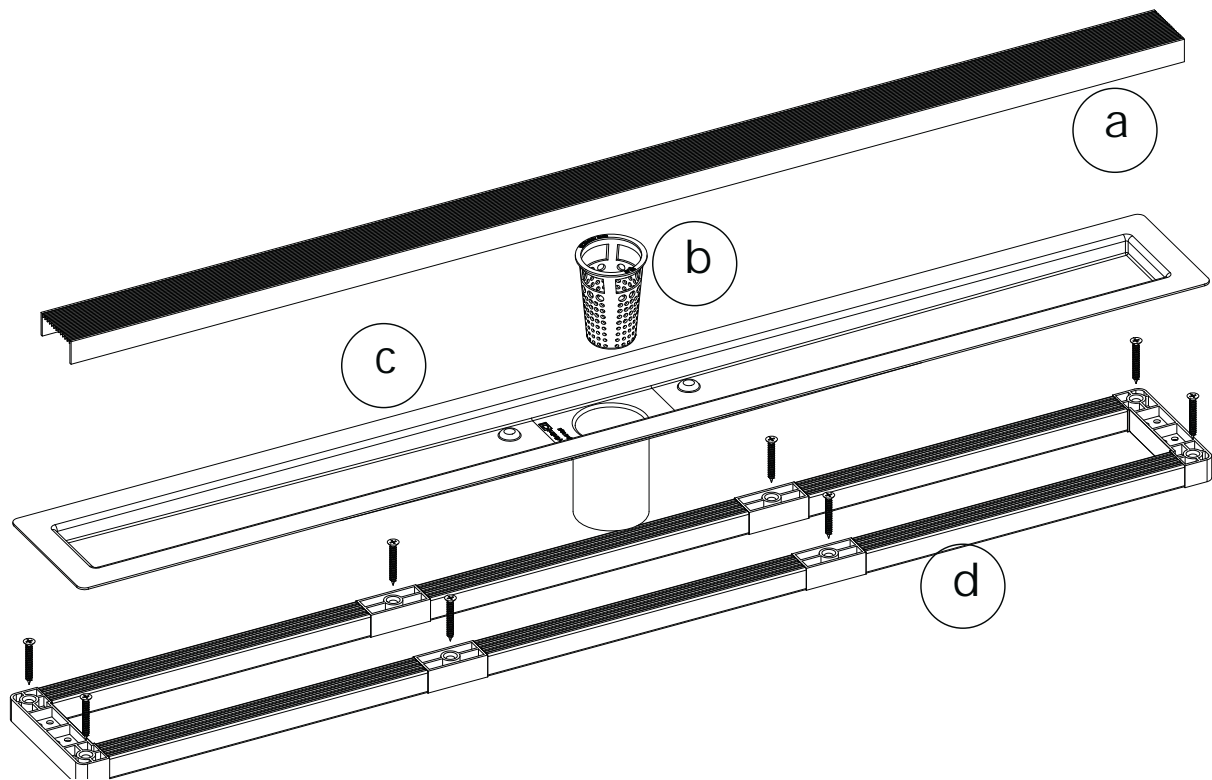
SCAN TO WATCH

Installation

FCS - Fixed Flange with Schluter® Kerdi Waterproofing

Complete Kits Include

Grate, Fixed Flange Channel, Hair Basket, and Lift-Out Key.



- (a) Stainless Steel Grate
- (b) HB 65 - Hair Basket
- (c) FCS 65 - Stainless Steel Channel
- (d) ABS Channel Support

Installation

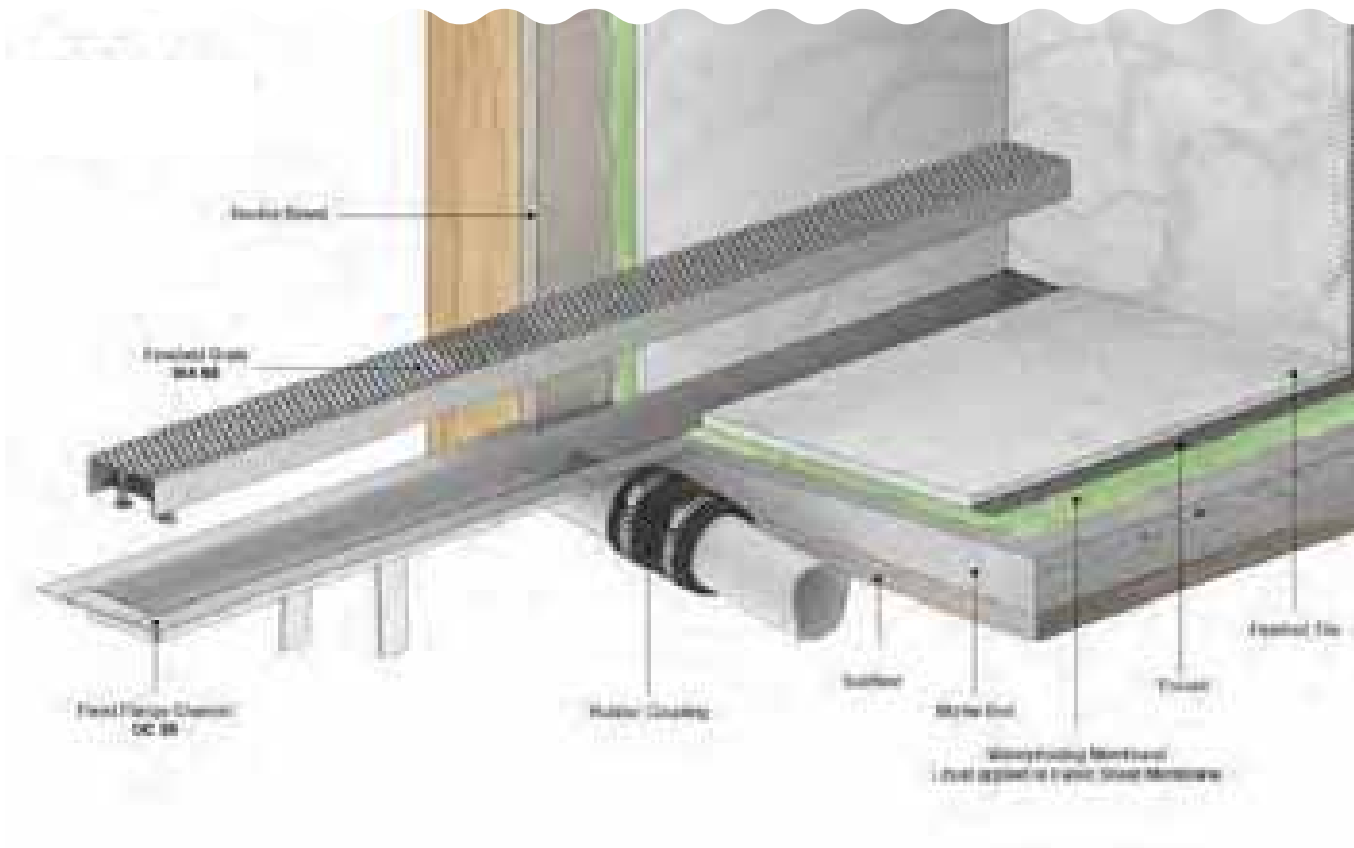
Side Outlet

Installation

A pitched flanged channel with a set outlet location. Standard kits sizes or custom fabrication are available. Install with a liquid membrane or fabric sheet waterproofing methods (Bonded Flange). Outlet is horizontal (side).

Waterproofing:

- ° Liquid Membrane
- ° Fabric Sheet



INSTALLATION VIDEOS ONLINE



youtube.com/IDInfinityDrain



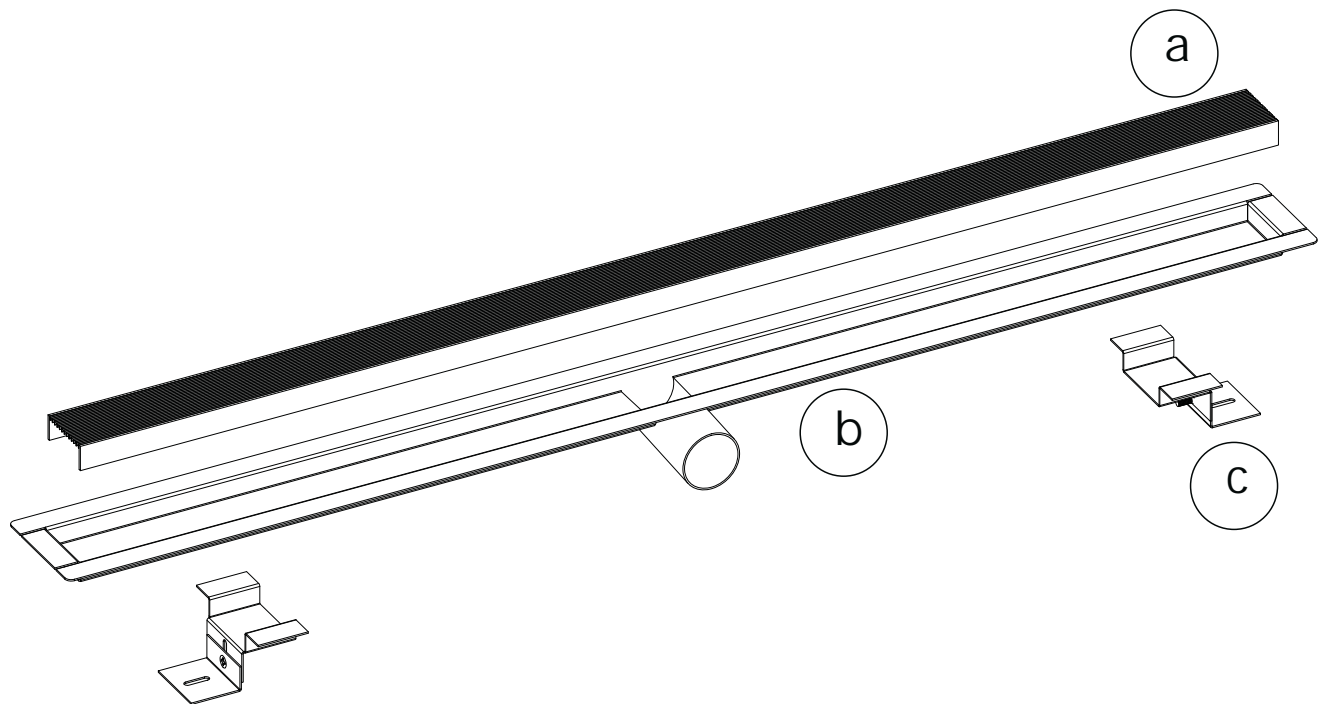
SCAN TO WATCH

Installation

Side Outlet

Complete Kits Include

Grate, Fixed Flange Channel, and Lift-Out Key.



- Ⓐ Stainless Steel Grate
- Ⓑ OC 65 - Stainless Steel Channel
- Ⓒ CF 65 - Channel Feet

Installation

FCB Double Waterproofing

Installation

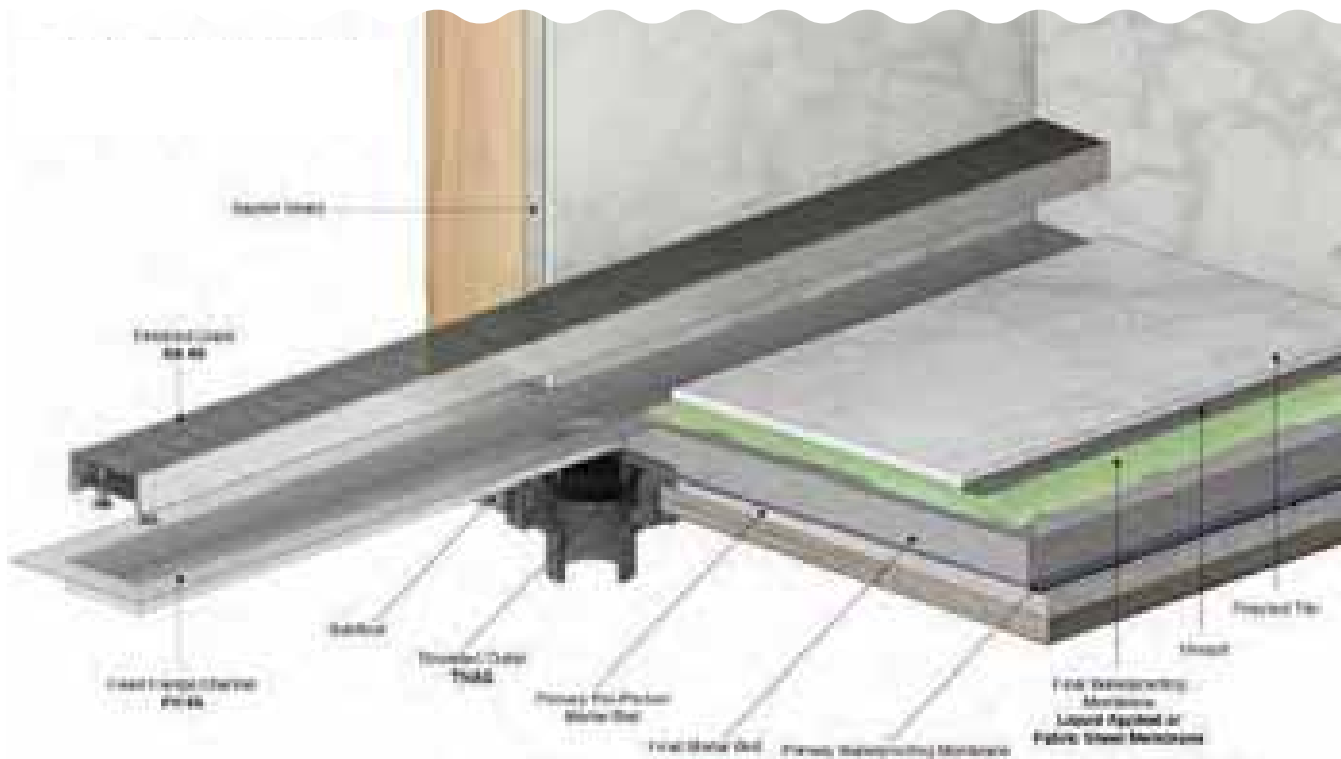
A pitched flanged channel with a set outlet location. Standard kits sizes or custom fabrication are available. Install with a liquid membrane/fabric sheet waterproofing and tradition waterproofing methods. Outlet is vertical (down).

Double Waterproofing via clamping floor drain:

- ° Copper Pan
- ° Hot Mop
- ° PVC Liner
- ° Fiberglass
- ° Lead Pan
- ° Rubber Liner (Chloraloy®)

AND

- ° Liquid Membrane
- ° Fabric Sheet



INSTALLATION VIDEOS ONLINE



youtube.com/IDInfinityDrain



SCAN TO WATCH

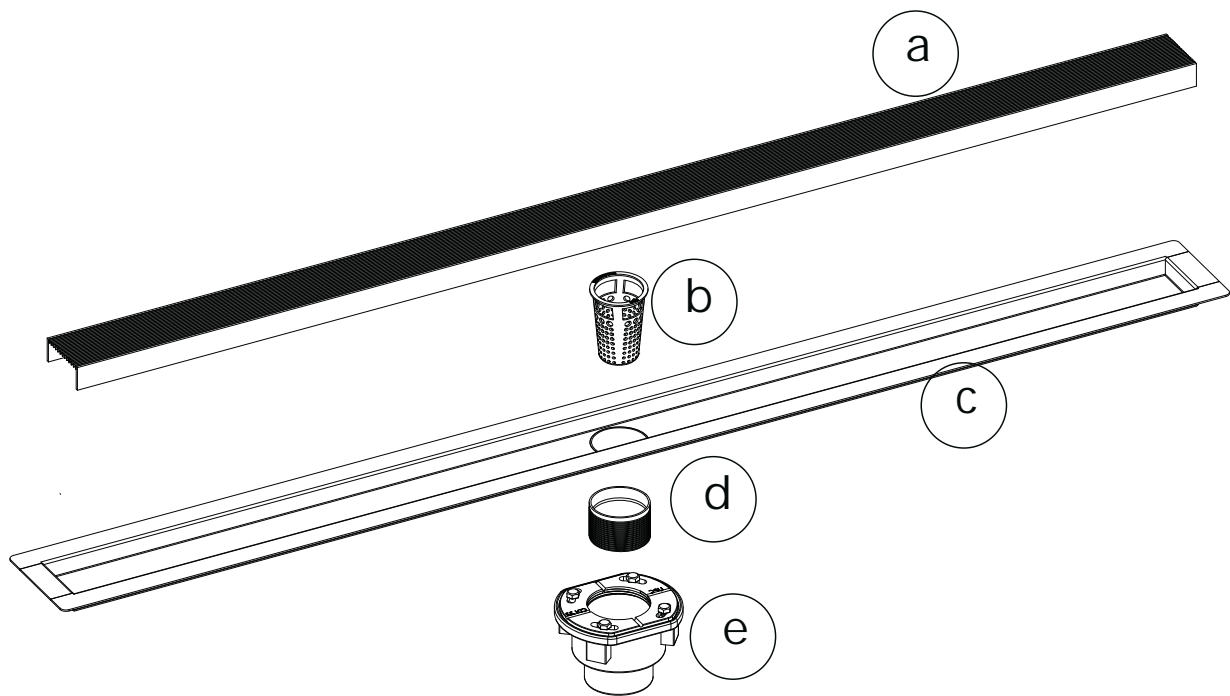
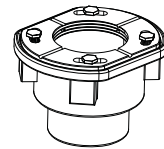
Installation

FCB Double Waterproofing

Complete Kits Include

Grate, FCB Channel, Threaded Nipple, Hair Basket, and Lift-Out Key.

- Requires 2" clamping floor drain with 2" throat
Not included in complete kit.



- (a) Stainless Steel Grate
- (b) HB 65 - Hair Basket
- (c) FCB 65 - Stainless Steel Channel
- (d) TNAS - Threaded Nipple
- (e) 2 inch clamp down drain assembly
Not included in kit SKU.
(Material can be Cast Iron, ABS, or PVC)

Installation

Universal Drain

Installation

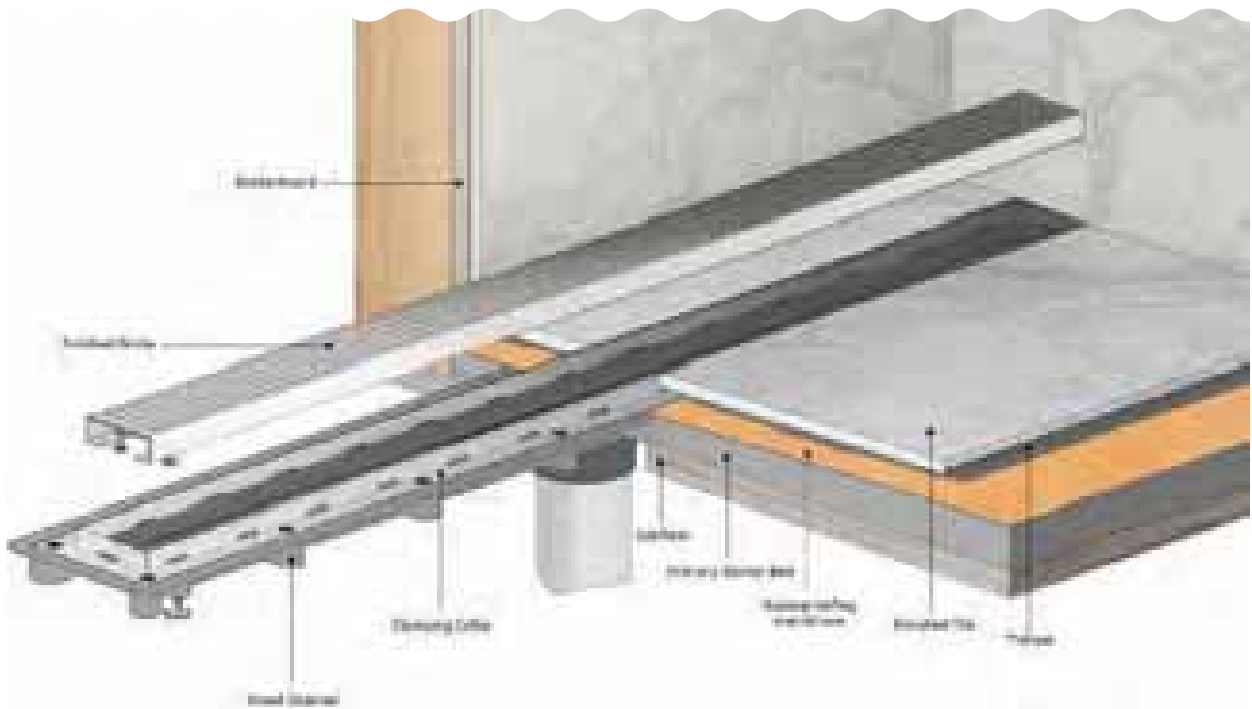
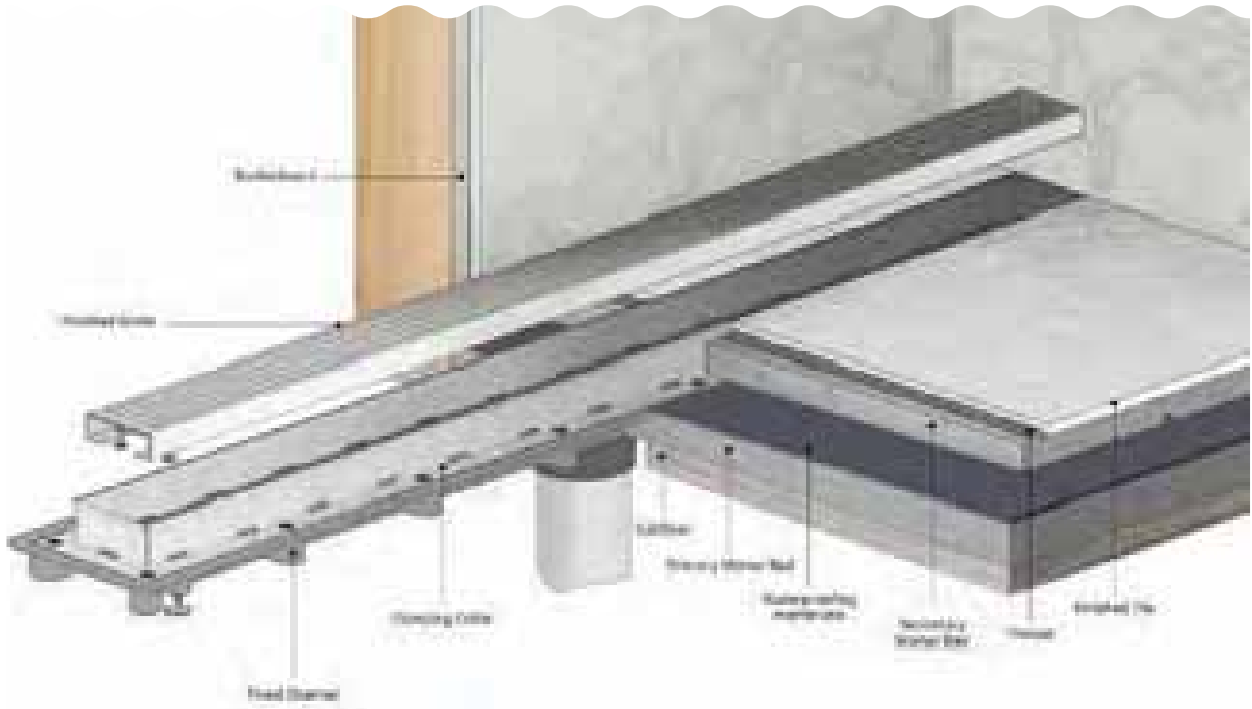
A pitched channel with a set outlet location. Standard kit sizes are available. Install with a liquid membrane/fabric sheet or traditional waterproofing methods. Outlet is vertical (down)

Compatible with traditional waterproofing:

- ° PVC Liner
- ° Rubber Liner

OR

- ° Liquid Applied
- ° Fabric Waterproofing



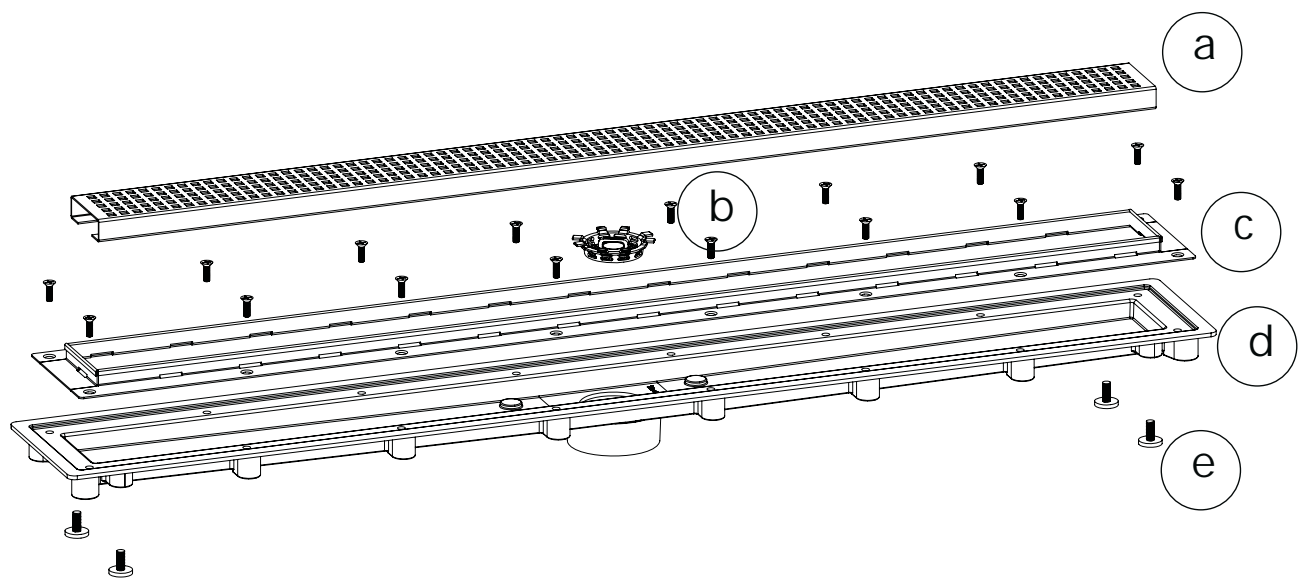
Installation

Universal Drain

Complete Kits Include

Grate, Fixed Channel, Clamping Collar, Hair Strainer, and Lift-Out Key.

Solvent weld connection with flanged channel for bonding waterproofing or clamping frame for traditional waterproofing.



- (a) Stainless Steel Grate
- (b) HS 2 - Hair Strainer
- (c) Clamping Collar
- (d) UC Channel
- (e) Leveling Feet

INSTALLATION VIDEOS ONLINE



youtube.com/IDInfinityDrain



SCAN TO WATCH

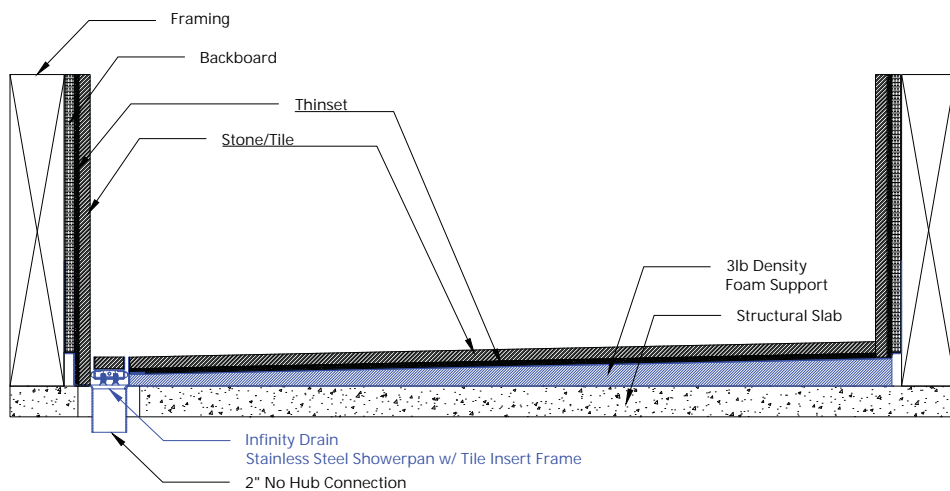
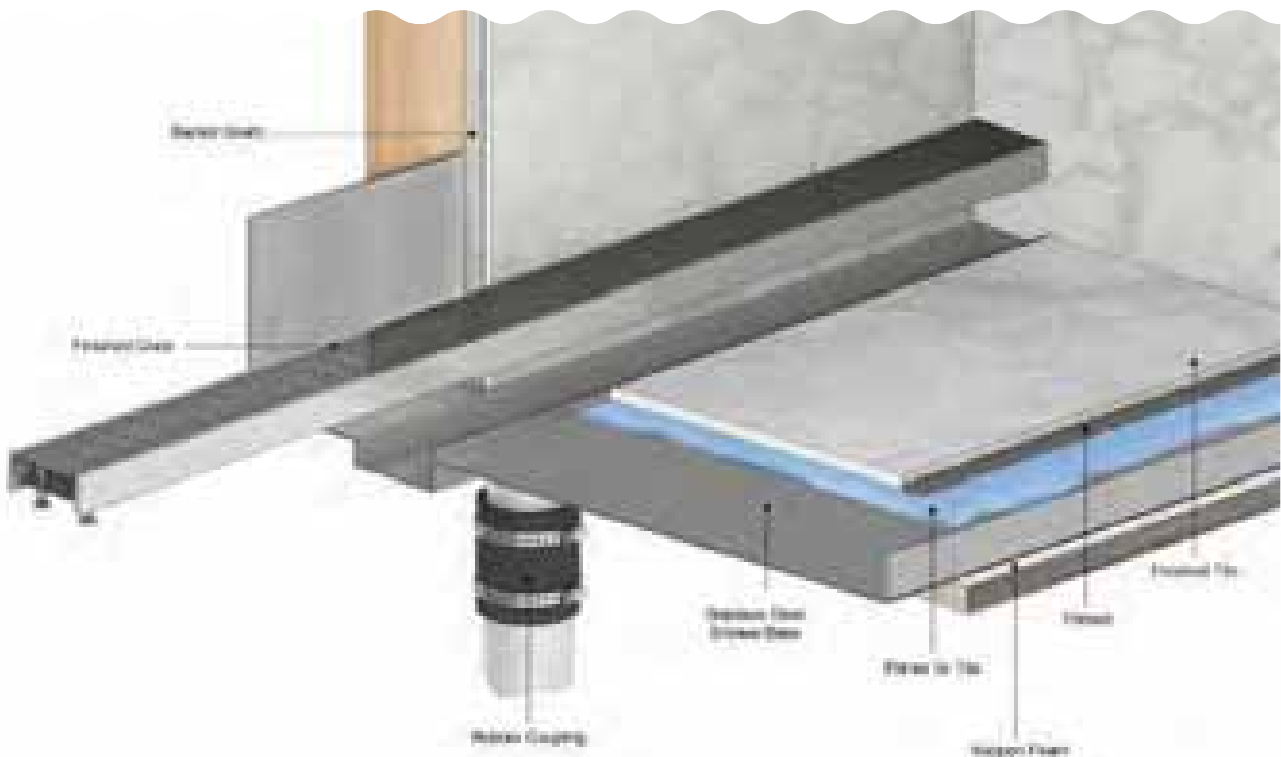
Installation

Stainless Steel Shower Base

Installation

A one-piece stainless steel shower base with integral drain in standard sizes or custom fabrication is available (minimum qty 10). Shower is framed around stainless steel shower base for exact wall to wall installation.

Stainless steel shower base is completely waterproof.
Additional waterproofing on wall is optional.



Installation

Stainless Steel Shower Base

Lifetime Guarantee
Covers labor, removal, replacement
and restoration.



See page 203-204 for warranty details.

With a 6" sleeve on foundation, the 2" no hub connection through slab allows for 2" variance in any direction. Factory flood tested as per UPC and IPC standards.

This item is not structural and must sit on top of a subfloor.

Plumbing code compliant for use as prefabricated shower receptor. IAPMO tested to IAPMO PS-106-2015 standard.



INSTALLATION VIDEOS ONLINE



youtube.com/IDInfinityDrain



SCAN TO WATCH

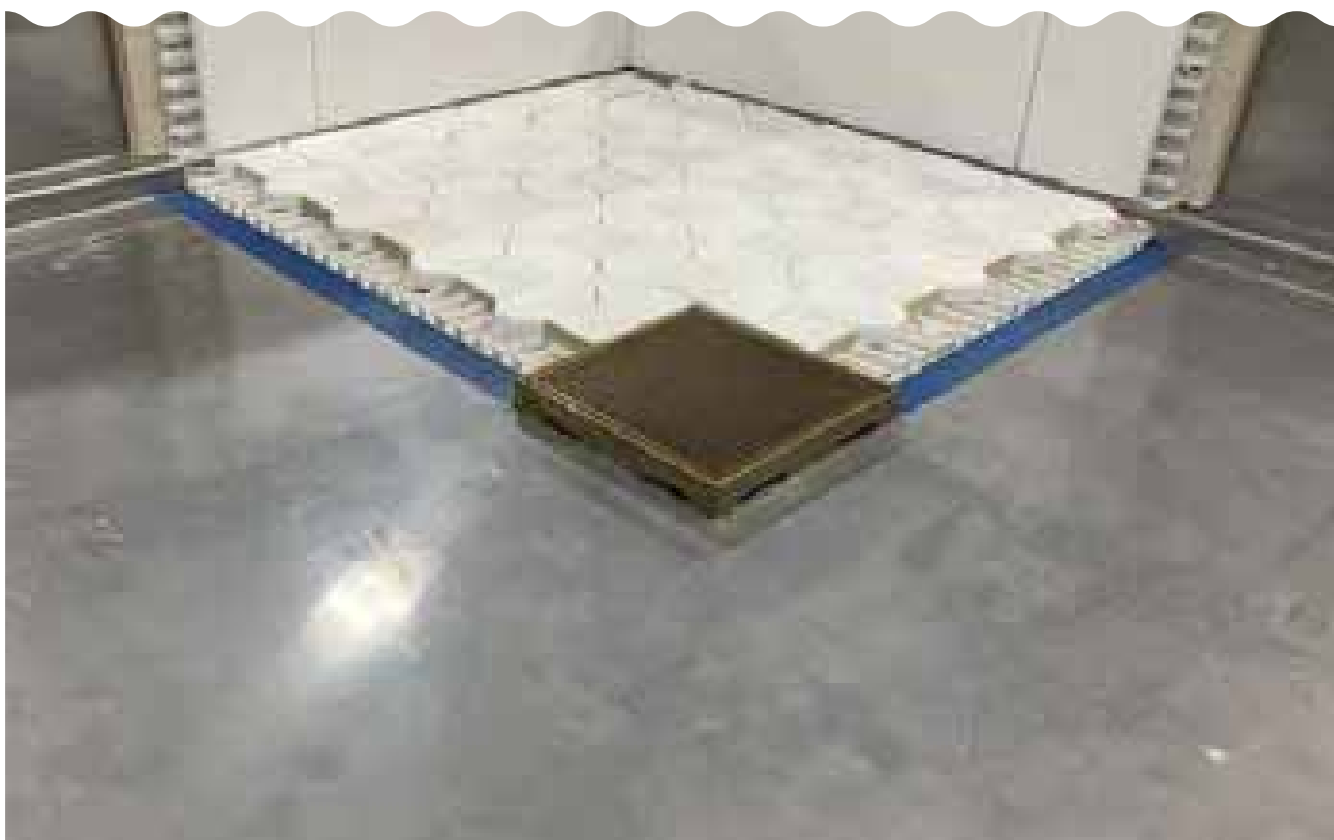
Installation

Stainless Steel Shower Base

Installation

A one piece stainless steel shower base with integral drain in standard sizes or custom fabrication is available (minimum qty 10). Shower is framed around stainless steel shower base for exact wall to wall installation.

**Stainless steel shower base is completely waterproof.
Additional waterproofing on wall is optional.**



Installation

Stainless Steel Shower Base

Lifetime Guarantee
Covers labor, removal, replacement
and restoration.



See page 203-204 for warranty details.

With a 6" sleeve on foundation, the 2" no hub connection through slab allows for 2" variance in any direction. Factory flood tested as per UPC and IPC standards.

This item is not structural and must sit on top of a subfloor.

Plumbing code compliant for use as prefabricated shower receptor. IAPMO tested to IAPMO PS-106-2015 standard.



INSTALLATION VIDEOS ONLINE



youtube.com/IDInfinityDrain



SCAN TO WATCH

Installation

Center Drain - Traditional Waterproofing

Traditional Installation

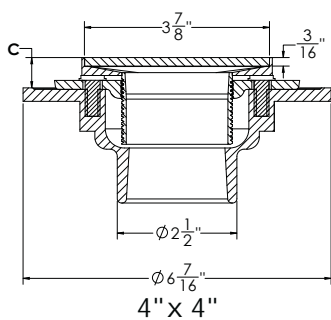
A center drain where the floor is pitched in four directions toward the drain using a traditional form of waterproofing.

Waterproofing via clamping floor drain:

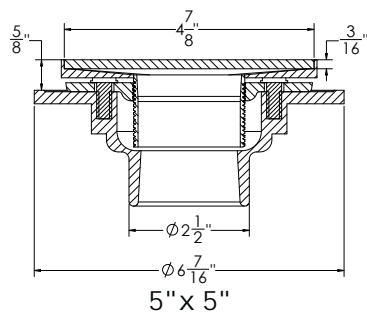
- ° Copper Pan
- ° Hot Mop
- ° PVC Liner
- ° Fiberglass
- ° Lead Pan
- ° Rubber Liner (Chloraloy®)

Complete Kits Include

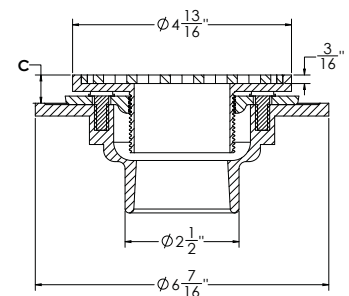
Strainer, Throat, Hair Basket, Clamping Floor Drain (Cast Iron, ABS or PVC) and a Lift-Out Key.



Center Drain



Center Drain



Center Drain

Installation

Center Drain - Bonded Waterproofing

Bonded Installation

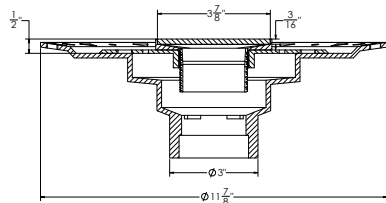
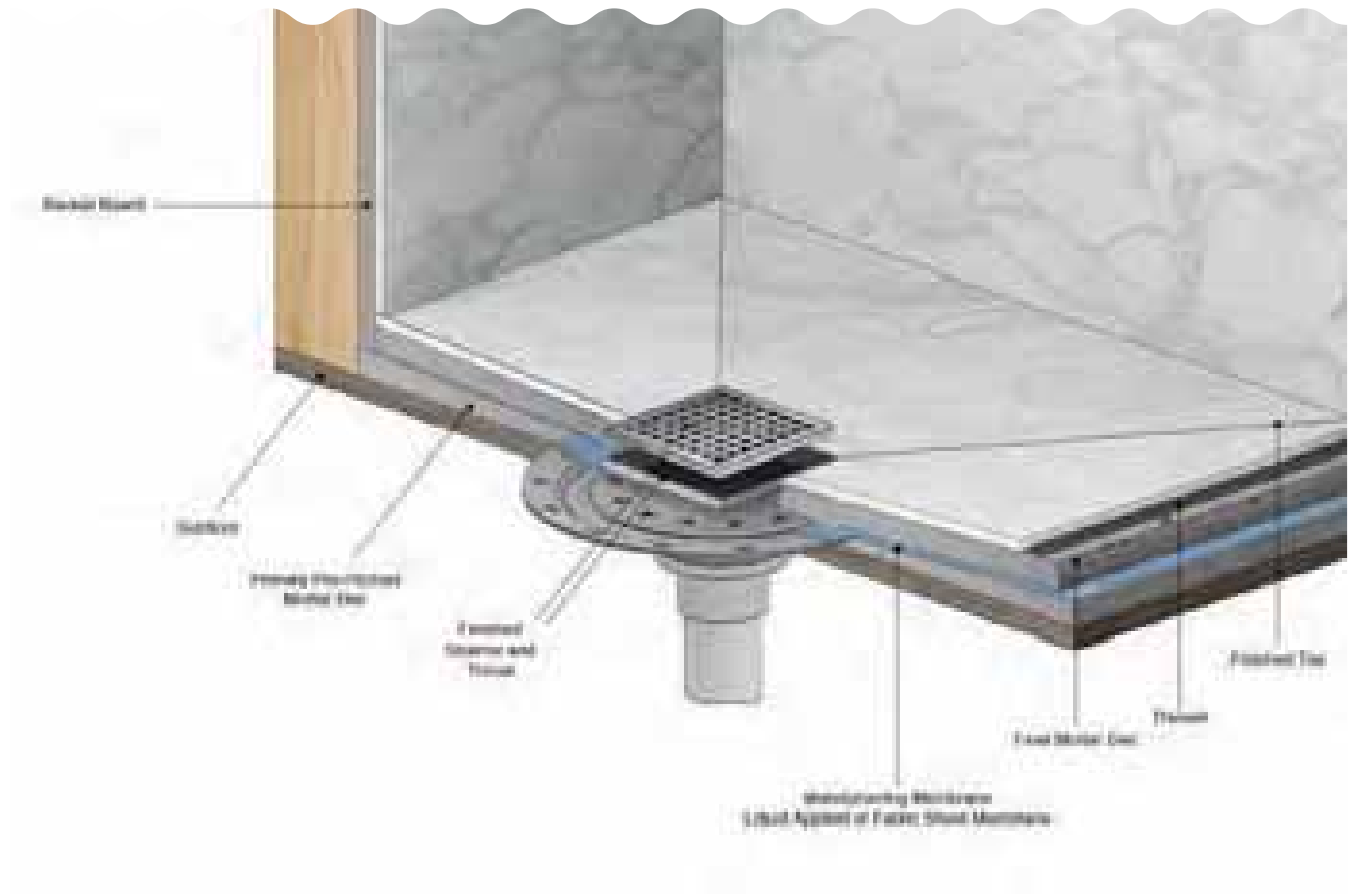
A center drain where the floor is pitched in four directions toward the wasteline using a bonded waterproofing method.

Waterproofing:

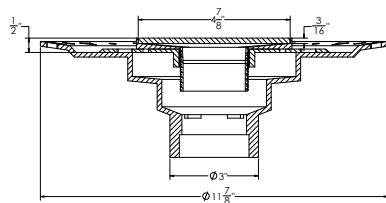
- ° Liquid Membrane
- ° Fabric Sheet Membrane

Complete Kits Include

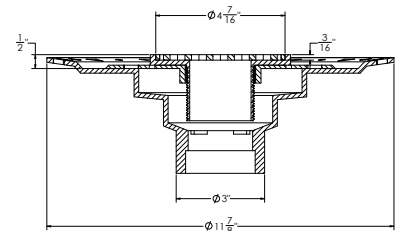
Decorative Cover, Throat, Hair Basket, ABS or PVC or Stainless Steel Bonded Flange Drain Body, and a Lift-Out Key.



4" x 4"
Center Drain



5" x 5"
Center Drain



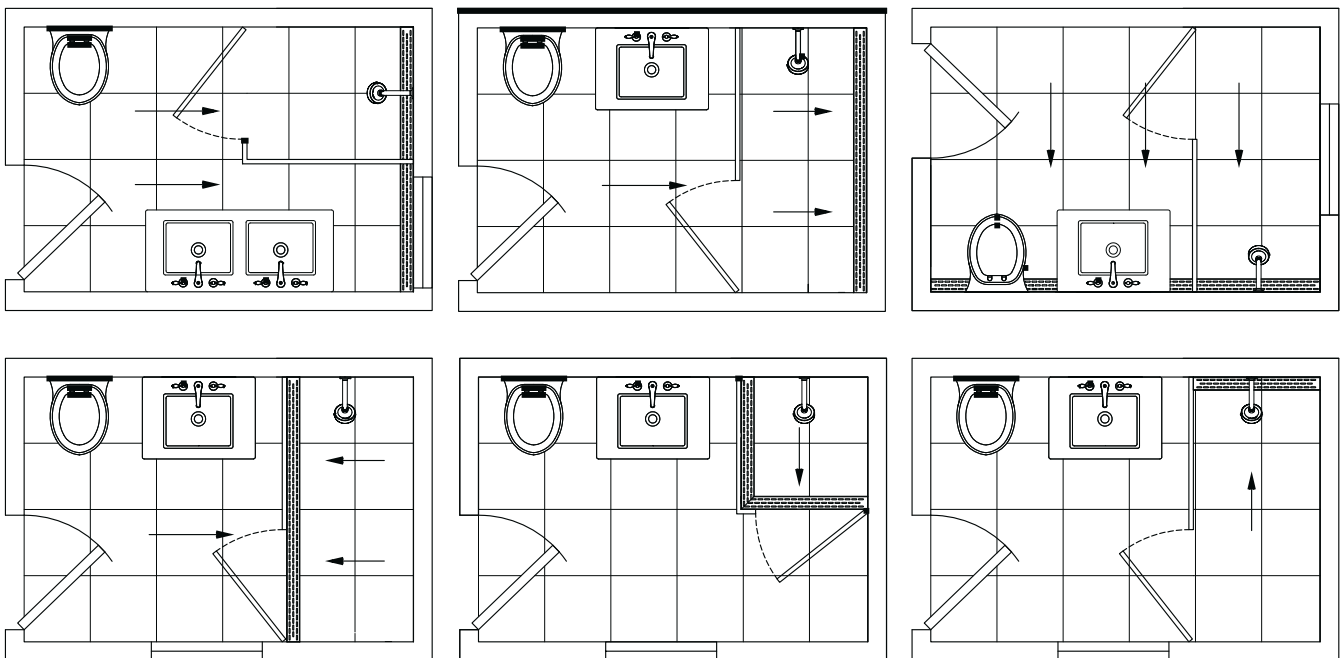
5" Round
Center Drain

Linear Drain Guide

General Installation Guidelines

Whether it is a barrier threshold (curb), or barrier free (curbless/zero threshold) installation, Infinity Drain® has provided general guidelines below to assist in determining the correct product choice for your project.

FLOOR PITCH DIRECTION



Site Conditions

Whether it is a renovation or new construction, choosing where to locate a linear drain is contingent on the waste line location, which may be predetermined or already installed. Moving a waste line may be possible, depending on site conditions. Infinity Drain's® Site Sizable® [S] Series provides flexibility during the installation process by allowing the outlet to be placed anywhere along the channel run. Always consult with a licensed professional.

Locating Linear Drains

A linear drain allows for the use of larger format floor tile and the ability to pitch the floor in one direction. This offers an advantage from the traditional center drain installation, where the floor must slope in four directions in order to properly drain the water.

Linear Drain Guide

General Installation Guidelines



Fig 1: Wall-to-Wall



Fig 2: NOT Wall-to-Wall



Fig 3: Against a Wall



Fig 4: Threshold Install



Fig 5: Threshold Install

Type of Install

Wall-to-Wall (Fig 1, Fig 2)

One way to ensure proper drainage is to install the linear drain from wall-to-wall. The challenge of this installation is that it requires an exact dimension. Infinity Drain offers a solution to this issue with the Site Sizable® [S] Series, which allows for "site sizing" the length of the drain by cutting the grate and channel to the exact finished wall-to-wall dimension. Infinity Drain's [FX] [FF] [FT] [FCB] & [FCS] Series can be custom fabricated for the exact desired length and outlet location.

Against a Wall (Fig 3)

Infinity Drain's Fixed Flange ([FF] & [FCS], bottom outlet and Side Outlet [FT], horizontal or side outlet) Series are designed for flush against the wall installations. These series are intended for use with liquid or fabric sheet waterproofing to tie into the wall board. They are available with a center outlet location and in set lengths of 24", 32", 36", 42", 48", and 60." Custom sizes and outlet locations are available.

The [S] Site Sizable® and Fixed [FX] Series require a traditional clamping floor drain body for PVC/Vinyl Liner, Rubber Liner, Lead Pan, Copper Pan, Fiberglass, and Hot Mop type waterproofing. The diameter of the traditional clamping floor drain body creates a challenge for flush against the wall installations. If using these series Infinity Drain recommends using our CDI 22, CDIH 22, CDA 22, or CDP 22. This drain body is specifically designed for against the wall installations.

Curb or Curbless (Fig 3, 4, and 5)

Deciding between a barrier threshold (curb) or barrier free (curbless) installation is critical when a linear drain is being considered. Please consult a licensed professional when determining which installation is possible. Please see Barrier Free Installation Guide on pages 193-197 for more information.

Threshold Installation (Fig 4 and 5)

For threshold installs, we recommend the drain run exactly wall-to-wall to block any water from leaving the shower or wet area. We do not recommend linear drains less than 2" wide or Tile Insert Frame linear drains for threshold installations without a curb due to the lack of channel width needed to sufficiently catch the water.

Barrier Free Installation (Fig 4 and 5)

Installing a shower drain without a curb, barrier, or threshold creates a seamless look with easy accessibility to the wet area. To achieve an ideal installation, floor heights should be equal between the shower area (wet area), outside the shower (dry area), and next room. Details on pages 193-197.

Linear Drain Guide

General Installation Guidelines

Flow Rates

There are many variables that influence flow rates and how drains perform. Our listed GPM (gallons per minute) on Infinity Drain® products are based on having a "head of water" that is traveling at ½" high. Different head heights will change flow rate. Without calculating a specific install, use our flow rate as a general guideline. The following variables should be considered when choosing and locating a linear drain.

VARIABLES TO CONSIDER:

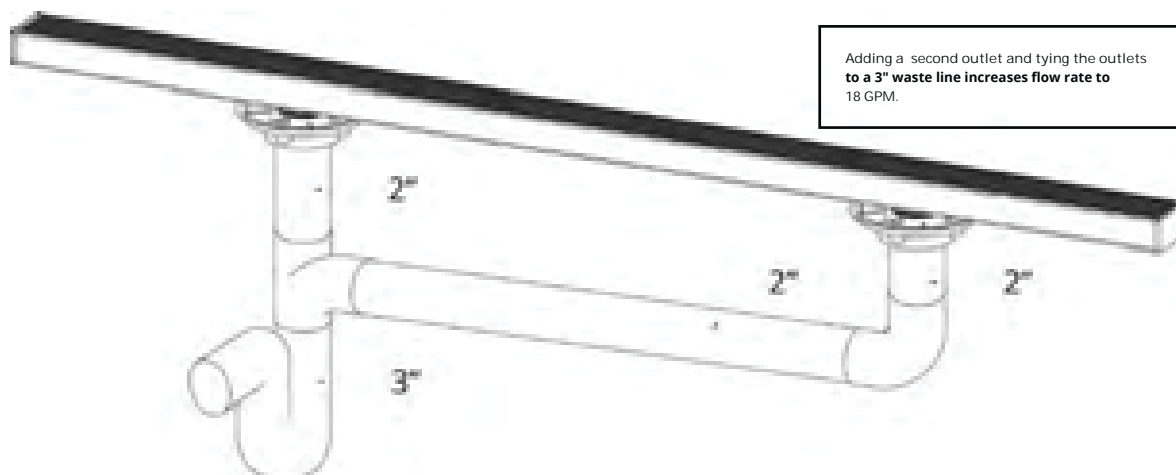
- What is flow rate of the shower valve? (i.e. how much water is being drained?)
- Are there multiple shower valves?
- What is the water pressure or PSI of the site location?
- How many water features? (i.e. shower heads, hand shower, body sprays, etc.?)
- Will the fixtures operate at the local plumbing code's legal gallons per minute?
- Will the flow restrictors be removed from the fixtures?

The answers to the above questions fall into the equation of determining the proper type of drain, outlets necessary, and location of the drain. These variables can vary drastically from installation to installation, and because of this, it is difficult to have an absolute flow rate. Most US residential installations use a 2" waste line, which has an average capacity of 9 GPM at ½" head of water, assuming proper venting. Adding additional 2" outlets and tying them to a 3" waste line will significantly increase the flow rate to 21 GPM. Infinity Drain's 3" outlet products have an average capacity of 21 GPM.

Outlets

Infinity Drain products are intended for both indoor and outdoor use. For indoor installations, we recommend an outlet every 60". For example, on a 72" length drain, if the outlet is offset 5" to one side, we would recommend a secondary outlet, especially for a zero-threshold installation. Our 72", 80", and 96" complete kits come standard with two outlet assemblies. The Site Sizable®

[S] Series can add additional outlet components to the kit. Custom fabrication with multiple outlets is available on the [FX], [FF], [FCS], [FCB] and [FT] linear drain Series. Outdoor installations: Outlet frequency is dependent on drain application and geographic location. Please contact us with questions regarding your specific installation.



Linear Drain Guide

General Installation Guidelines

Waterproofing

Waterproofing technique can help determine which linear drain series to specify. If using a traditional type of waterproofing, the professional will typically build a shower pan (wet waterproofed area) with PVC, Vinyl, Lead, Hot Mop, Copper or Fiberglass material. Infinity Drain's [S] and [FX] Series are recommended. If using a modern type of waterproofing such as liquid membrane or fabric sheet, the professional can more easily waterproof over a greater floor area to build a barrier free or zero threshold installation. Infinity Drain's [FF], [FCS], and [FT] Series are recommended for this type of waterproofing.

USING A CLAMPING FLOOR DRAIN/TILE FLOOR DRAIN:



PVC Membrane/Vinyl Liner (Polyvinyl Chloride)

A plastic sheet available at most plumbing suppliers and sold in rolls of 4', 5' and 6'. The membrane is layered between mortar beds and the corners are folded to create the shower pan liner. If the shower pan area is larger than the roll dimension, it must be seamed or joined together.



Lead Pan/Copper Pan

A metal sheet that is formed to create the shower pan area. The membrane is layered between mortar beds and the corners are folded to create the shower pan liner. If the shower pan area is larger than the sheet dimension, the lead material must be welded together. This install is more common in metropolitan areas where code may require a metal pan.



CPE Membrane (Chlorinated Polyethylene)

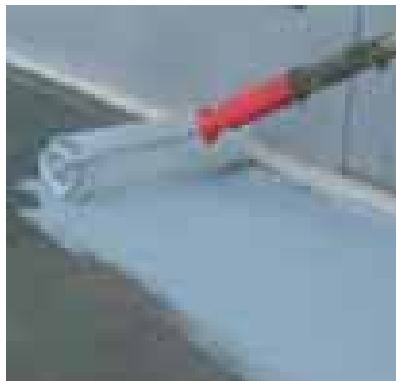
A rubber sheet available at most plumbing suppliers and sold in rolls of 4', 5' and 6'. The membrane is layered between mortar beds and corners are folded to create the shower pan liner. If the shower pan area is larger than the roll dimension, it must be seamed or joined together. CPE Membrane is also branded as Chloraloy® by Noble.



Hot Mop (Tar)

Heated liquid tar is applied or "mopped" on the shower area to create the shower pan and is similar to waterproofing a roof with tar. This installation is most common in Southern California. Similar to fiberglass waterproofing.

USING A BONDED FLANGE:



Liquid

Roll or paint-on liquid membrane that can be applied on floors, walls, and ceilings and bonds directly to the drain flange. The total install time is shorter than traditional waterproofing methods and typically saves 2 to 3 days. Tile can bond directly to waterproofing.



Fabric Sheet

Sheet membrane that bonds directly to the drain flange with an adhesive is sold by most tile suppliers. Corners (in and out) are available to avoid folding. If the shower pan area is larger than the roll dimensions, it must be seamed or joined together. Tile can bond directly to waterproofing.

Linear Drain Guide

Care and Maintenance



Hair Happens.

A little maintenance goes a long way.

When shower drains clog with hair and debris, they become hard to clean and repairs can become costly. Infinity Drain complete kits come with a Hair Maintenance Kit including: our patented hair basket and lift out key. Follow the cleaning instructions to easily remove the grate and avoid clogs. See pages 159-160 for individual hair maintenance kits.

Infinity Drain's premium finishes are durable, however, harsh chemicals may impact the finish and should be avoided. Always clean first with mild soap and water.



Linear Drain Guide

Care and Maintenance



Approved Cleaning Products:

Stainless Steel Finishes

Stainless steel cleaners such as Bar Keeper's Friend®, Soft Scrub®, or equivalent can be used.

For hard set stains, Steel Brite® can be used.

Color or Decorative Finishes

For all other finishes (Satin Bronze, Matte Black, and Oil Rubbed Bronze) use mild soap and water.



WARNING: Do NOT Use These Products!

Many cleaning agents used for general cleaning contain acids and other harsh chemicals. Using these cleaning agents on or near the drain can cause considerable damage even with just one application.

Do not use cleaning agents containing:

- Hydrochloric acid (ex. tile cleaners, toilet bowl cleaners)
- Formic acid (ex. clog remover)
- Acetic acid (ex. mold & mildew cleaners)
- Phosphoric acid (ex. tile cleaners)
- Muriatic acid (ex. rust cleaners)
- Chlorine bleach solutions

A Note About Surface Rusting

Stainless steel is non-porous, hygienic, rust-free and extremely durable.

3 general ways the outer layer can break down:

1. Mechanical Abrasion by using steel wool, wire brushes, scrapers, etc.
2. Hard Water
3. Chlorides such as chlorine bleach, sea water, salt water, table salt, etc.

If traces of ferrous steel are on the outside surface of stainless steel, these traces can rust and form discoloration. This is not actually the stainless steel rusting. Use approved cleaners to remove surface traces of rust and restore your finish.

Linear Drain Guide

Barrier Free Installation

Installing a shower drain without a curb, barrier, or threshold creates a seamless look with easy accessibility to the wet area. To achieve an ideal installation, floor heights should be equal between the shower area (wet area), outside the shower (dry area), and next room. Specific conditions will determine what is involved.

Linear Drain Placement

For a barrier free installation the most important factor to consider is the drain placement. The placement will affect installation and design options, build up amount and depression amount.

BACK WALL - Parallel to shower entrance on opposite wall. (page 194)

THRESHOLD - Parallel to shower entrance and along the entrance wall. (page 195-196)

SIDE WALL - Perpendicular to shower entrance. (page 197)

Installation and Design Options

Installing a shower drain without a curb, barrier, or threshold creates a seamless look with easy accessibility to the wet area. To achieve an ideal installation, floor heights should be equal between the shower area (wet area), outside the shower (dry area), and next room.

Minimum Build Up at the Entrance of the Shower

Minimum build up at the entrance of the shower is calculated to determine if and how much the shower area must be depressed for a barrier free installation.

Waterproofing Method

The type of waterproofing will affect the amount of buildup because of the height of the compatible drain and waste line connection type.

TRADITIONAL WATERPROOFING:

(PVC/Vinyl Liner, Lead/Copper Pan, Hot Mop, Rubber Liner, Fiberglass)

Traditional waterproofing has a larger overall build up due to taller channels and a clamp down drain installation. The channel height ranges from 1-7/16" to 2-3/8".

LIQUID/FABRIC WATERPROOFING:

(Liquid Applied or Fabric Sheet Membrane)

Liquid/ Fabric waterproofing installations have less overall build up due to shallow channels and a no hub installation. The channel height ranges from 13/16" to 7/8".

Linear Drain Guide

Barrier Free Installation

LINEAR DRAIN PLACEMENT:



INSTALLATION AND DESIGN OPTIONS:

- Most flexible installation option
- Can be installed wall to wall, flush against the wall, or off of the wall
- Stock sizes can be used
- Any grate style can be used

The minimum buildup for a back wall installation is dependent on the depth of the shower and degree of slope.*

Example: 4' x 4' shower with a slope of 1/8" per foot would have a slope of 1".

WATERPROOFING METHOD:

TRADITIONAL WATERPROOFING	LIQUID/FABRIC WATERPROOFING
<p>Drain Channel Height Above Subfloor</p> <p>+ (Shower Depth (A) x 0.25)</p> <hr/> <p>- Height at entrance of shower</p>	<p>Drain Channel Height Above Subfloor</p> <p>+ Tile Thickness</p> <p>+ Thinset Thickness</p> <p>+ (Shower Depth (A) x 0.25)</p> <hr/> <p>- Height at entrance of shower</p>
<p>2-7/16" to 3-3/8" (Varies by model)</p>	<p>2-5/16" to 2-3/8" (Varies by model)</p>

MINIMUM BUILDUP :

*NOTE: Installer must verify all rough-in dimensions prior to installation and consult local and national codes. Conformity and compliance to local and national codes are the responsibility of the installer.

Linear Drain Guide

Barrier Free Installation

LINEAR DRAIN PLACEMENT:



INSTALLATION AND DESIGN OPTIONS:

- Least amount of overall build up at the entrance of the shower - ideal for dealing with height restrictions
- Must be installed wall to wall
- Must work within stock dimensions, Size Stable, or custom drain
- Narrow grate styles and Tile Insert frames can not be used

The minimum buildup for a back wall installation is dependent on the height of the drain above the slab/subfloor.*

WATERPROOFING METHOD:

TRADITIONAL WATERPROOFING	LIQUID/ FABRIC WATERPROOFING
Drain Channel Height Above Subfloor <hr/> = Height at entrance of shower	Drain Channel Height Above Subfloor + Tile Thickness + Thinset Thickness <hr/> = Height at entrance of shower
1-7/16 to 2-3/8" (Varies by model)	1-5/16 to 1-3/8" (Varies by model)




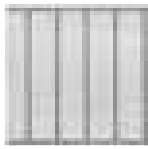







MINIMUM BUILD UP :

*NOTE: Installer must verify all rough-in dimensions prior to installation and consult local and national codes. Conformity and compliance to local and national codes are the responsibility of the installer.

Linear Drain Guide

Barrier Free Installation

For threshold installs, we recommend the drain run exactly wall-to-wall to block any water from leaving the shower or wet area. We do not recommend thinner or tile-in type drains for threshold installations due to the lack of channel width needed to sufficiently catch the water. The FF, FCS, and FT series offer the lowest overall heights. In addition, we offer a product (ST 65 - pg 158) to allow channel to recess into subfloor an additional ¾". The dry side of the shower should have a slight pitch towards the linear system to ensure proper drainage. The entire wet and dry floor area should be waterproofed. Infinity Drain recommends working with a licensed professional who is familiar with local codes and installation requirements. The recommended models for a barrier free threshold installation are highlighted in pink below.

GRATE STYLES	Site Sizable [S]	Fixed Length [FX]	Fixed Flange [FF]	Side Outlet [FT]	Flange with Schluter® Kerdi [FCS]	Double Waterproofing [FCB]	Universal [U]
	Traditional Waterproofing		Liquid / Fabric Waterproofing		Schluter® Kerdi Waterproofing	Traditional <i>and</i> Liquid/Fabric	Traditional <i>or</i> Liquid/Fabric
Tile Insert 	S-TIF 65 S-LTIF 65 S-TIFAS 65 S-TIFAS 99 S-LTIFAS 65 S-LTIFAS 99	FXTIF 65 FXLTIF 65	FFTIF 65	FTTIF 65	FCSTIF 65	FCBTIF 65	UTIF
Slot 			FFST		FCSST	FCBST	
2mm Wedge Wire 			FFAS 25		FCSAS 25	FCBAS 25	
	S-LAG 38						
	S-LAG 65 S-AS 65 S-AS 99	FXAS 65	FFAS 65	FTAS 65	FCSAS 65	FCBAS 65	
	S-AG 100	FXAS 125	FFAS 65		FCSAS 125		
3mm Wedge Wire 	S-AG 38						
	S-AG 65						
Circle 	S-DG 38						
Circle 	S-DG 65						
Offset Slotted 	S-LT 38						
Offset Slotted 	S-LT 65						
Slotted 		FXIG 65	FFIG 65	FTIG 65	FCSIG 65	FCBIG 65	
Squares 							USQ
Solid 		FXSG 65	FFSG 65	FTSG 65	FCSSG 65	FCBSG 65	

Linear Drain Guide

Barrier Free Installation

LINEAR DRAIN PLACEMENT:



INSTALLATION AND DESIGN OPTIONS:

- Usually the most amount of build up
- Can create pitch challenges between wet and dry area
- Can be installed wall to wall, flush against the wall, or off of the walls
- Stock sizes can be used

Sub/subfloor must be depressed to allow the finished surface of the shower floor to be 1/4" - 1/2" below the finished surface of the dry area.*

Example: 4' x 4' foot shower with a slope of 1/4" per foot would have a slope of 1".

WATERPROOFING METHOD:

TRADITIONAL WATERPROOFING	LIQUID/FABRIC WATERPROOFING
Drain Channel Height Above Subfloor • Shower Depth (A) x 0.25 • 1/2" <hr/> • Height at entrance of shower	Drain Channel Height Above Subfloor • Tile Thickness • Thinset Thickness • Shower Width (B) x 0.25 • 1/2" <hr/> • Height at entrance of shower
2-15/16" to 4-7/8" (Varies by model)	2-13/16" to 3-7/8" (Varies by model)

MINIMUM BUILD UP :

*NOTE: Installer must verify all rough-in dimensions prior to installation and consult local and national codes. Conformity and compliance to local and national codes are the responsibility of the installer.

Glossary

ABS	Type of plastic used for waste and drain fittings. Acrylonitrile butadiene styrene, commonly abbreviated ABS. Usually black in color.
ABS Primer / Glue	Primer - Substance used to prep or clean pipe prior to gluing (see solvent weld). ABS Glue is specifically used for ABS to ABS connections.
ADA Shower	A shower that meets requirements set by the Americans with Disabilities Act. Specific standard to floor drains requires the threshold or barrier transition for a roll-in shower to be no greater than 1/2" high.
Barrier Free Shower	A shower area without a curb or threshold to step over. Also called curbless.
Bolt Pattern	Top ring of a clamping floor drain. Bolt patterns can vary by drain manufacturer. ID makes universal clamping plates to accommodate existing clamping floor drains. (see UCP 2 and UCP 4 pg 116)
Bonded Flange	A drain body used for liquid membrane or fabric sheet waterproofing.
Cast Iron	A ferrous type of iron used in plumbing for waste pipes and drain bodies.
Center Pitch (4-Way Pitch)	Traditional tiled shower floors are pitched towards the center in four directions to allow proper drainage. If not pitched properly, water pools in areas of the shower.
Channel	The bottom portion of a linear drain. Also called trench, trough, channel body.
Clamping Floor Drain	Type of mechanically fastening floor drain that allows you to "clamp down" a PVC liner, Chloraloy liner, Lead Pan, Copper Pan, Fiberglass, or Hot Mop waterproofing methods.
Curb	Dam built to contain a shower area. Code specifies a minimum of 2" and a maximum 9" above the elevation of the finished drain.
Drain Connection Types	Method in which the drain body connects to waste line. (see No Hub, FIP, Inside Caulk and Slip Fit Connection)
End Caps	Component used to close the end of a channel assembly. PVC for S-AG, S-DG, and S-TIF Series. Stainless Steel for S-AS, S-TIFAS, and S-LTIFAS Series.
FIP	Female Iron Pipe - A female iron connection with a tapered thread that thins out to the end of the pipe. When tightened, the ever-decreasing thread depth makes the connection watertight.
Fixed (FX)	ID product series that is "Fixed" with a straight edge channel. Fixed models cannot be modified on site. This product uses "Traditional" waterproofing methods.
Fixed Flange (FF)	ID product series that is "Fixed" with a "Flanged" channel and bottom outlet. Fixed models cannot be modified on site. This product uses "Modern" waterproofing methods.
Fixed Tunnel (FT)	ID product series that is "Fixed" with a "Flanged" channel and side outlet. Fixed models cannot be modified on site. This product uses "Modern" waterproofing methods.
Floor Pitch / Slope	Floor height change to allow proper drainage. Standard pitch is 1/4" (2% slope) per foot and not more than 1/2" (4% slope) per foot towards the drain. International pitch 1/8" (1%) per foot.
Flow Rate	Amount of water that passes through the drain at the outlet. Calculated in gallons per minute (GPM).
GPM	Gallons Per Minute
Grate	The decorative top portion of a linear drain. Also called top grate, strainer, top grid, drain cover.
Grate Free Area (GFA)	Total area not covered by the grate. Calculated by determining area of opening on the top grate/strainer multiplied by the number of openings.
Head of water	The total energy at a given point in a fluid. Expressed in units of height.

Glossary

Hot Mop	Waterproofing technique using liquid hot tar that cools to become a waterproof shower pan.
Inside Caulk	Type of floor drain connection that fits over the waste pipe. It is packed with an oakum and is further sealed using molten lead.
Joiners	Straight or 90 degree joiners used to connect channel lengths together. PVC for S-AG, S-DG, S-LTIF and S-TIF Series. Stainless Steel for S-AS, S-LTIFAS, and S-TIFAS Series.
Modern Waterproofing	Liquid membrane or fabric sheet waterproofing methods. Waterproofing is attached or painted onto the flange. Fixed Flange (FF), Flange Tunnel (FT), or Bonded Flange center drain.
No Hub	Type of floor drain connection where two pipes are connected with a rubber coupling (Fernco™).
NPS	Nominal Pipe Size (NPS) - North American set of standard sizes for pipes. Pipe size is specified with two non-dimensional numbers: diameter based on inches and a schedule (Sched. or Sch.) for pipe wall thickness.
NPT	National Pipe Thread Taper (NPT) - A U.S. standard for tapered threads used on threaded pipes and fittings.
Outlet	Open area where water exits the drain or channel.
Outlet Section	Component section of channel with a punch for the outlet. Specific to the S-AG 38, S-DG 38, S-AG 65, S-DG 65, S-TIF 65, S-AS 65, S-LTIFAS 65, and S-TIFAS 65 Series.
Outlet Assembly	Component section of channel that includes the outlet section welded to the threaded nipple for connection to the clamp down floor drain. Specific to the S-AS 99, S-LTIFAS 99 and S-TIFAS 99.
PVC	A type of plastic used for waste and drain fittings. Polyvinyl chloride, commonly abbreviated PVC. Usually white or gray in color.
PVC Primer/ Glue	Primer - Substance used to prep or clean pipe prior to gluing (see solvent weld). PVC Glue is specifically used for PVC to PVC connections.
Rescue Nipple	A longer version of the Threaded Nipple up to 4" used when the clamp down floor drain body is too deep in the subfloor.
Rubber Coupling	A tubular flexible rubber device that joins two pipes together by tightening fastening clamps to create a watertight connection. Used to make a "No Hub" connection. Also known as a Fernco™.
Shower Pan	Waterproofed area in a shower enclosure.
Side Outlet	An outlet that is horizontal going parallel to the floor. Used to move waste lines with limited flexibility on site.
Single Plane Pitch	Shower floors pitched in one plane towards the linear drain channel. Used instead of a four-way pitch, which is common for a center drain.
Site Sizable® (S)	ID product series that can be cut to length on site as well as locate the outlet anywhere on the channel run.

Glossary

Slip Fit Connection	Type of floor drain connection for PVC and ABS fittings. One piece “slips” into the other snugly and is sealed (solvent weld) using appropriate glue type (ABS Glue or PVC Glue).
Solvent Weld	A molecular bond that fuses plastic to create a watertight seal. The fitting is primed (cleaned) then glued (welded) together using a material specific glue (ABS Glue or PVC Glue).
Stainless Steel	A steel alloy used to make Infinity Drain grates and channels. Defined as a steel alloy with a minimum of 10.5% to 11% chromium content by mass.
Strainer	The decorative top portion of a drain. The overall dimension and shape may vary. The critical dimension to connect to the drain body is the strainer throat size.
Strainer Throat	A threaded male connection from the strainer. Threads into a drain body.
Sub-Floor	The material below a finished floor. Generally plywood or concrete.
Threaded Nipple	A threaded cylinder used to connect the linear drain channel to the clamp down floor drain.
TIF	Tile Insert Frame - A decorative grate that has an open area to add finished flooring material. Water drains into the channel via a 1/4” gap on all sides.
Tile Insert	ID center pitch drain that allows tile to be placed inside the center frame. TD, TDB, LTD, Series.
Top Ring/ Drain Throat	A threaded female connection top ring that bolts to body of clamp down floor drain. Infinity Drain offers universal clamping plates to accommodate existing floor drains. (see UCP 2 and UCP 4 pg 116)
Traditional Waterproofing	PVC liner, Chloraloy liner, Lead Pan, Copper Pan, Fiberglass or Hot Mop waterproofing methods with a clamp down floor drain.
Wall Build-Out	Adding additional backer board and/or packing out a wall with additional material to create a flush against the wall installation for the Site Sizable® (S) and Fixed (FX) Series.
Wedge Wire	A high grade 316L stainless steel, welded, longitudinal decorative grid grate.
Weep Holes	Holes on a clamp down floor drain intended to “weep” away water below a tiled floor. During installation it is important these do not get clogged by mortar or thinset.

Terms and Conditions

Applicability

These terms and conditions ("Terms") are the only terms which govern the sale of the merchandise by Infinity Drain Ltd. ("Infinity Drain") to the dealer and/or customer purchasing the merchandise (in either such case, the "Recipient"). Notwithstanding anything herein to the contrary, if a written contract signed by both parties is in existence covering the sale of the merchandise covered hereby, the terms and conditions of said contract shall prevail to the extent they are inconsistent with these Terms.

The accompanying invoice and these Terms comprise the entire agreement between the parties, and supersede all prior or contemporaneous understandings, agreements, negotiations, representations and warranties, and communications, both written and oral. These Terms prevail over any of the Recipient's general terms and conditions of purchase regardless whether or when such Recipient has submitted its purchase order or such terms. Fulfillment of a Recipient order does not constitute acceptance of any of the Recipient's terms and conditions and does not serve to modify or amend these Terms.

Price and Payment Terms

The Recipient shall purchase the merchandise from Infinity Drain at the price(s) (the "Price(s)") set forth in Infinity Drain's published price book in force as of the date that Infinity Drain accepts Recipient's purchase order.

All Prices are exclusive of all sales, use and excise taxes, and any other similar taxes, duties and charges of any kind imposed by any governmental authority.

Recipient shall pay all invoiced amounts due to Infinity Drain within thirty (30) days of issuance of Infinity Drain's invoice. Recipient shall make all payments hereunder by wire transfer/check/credit card/ACH payment and in U.S. dollars (and in Canadian dollars (CAD) for Recipients located in Canada). Credit card transactions are subject to a two-and-a-half percent (2.5%) processing fee. Recipient shall pay interest on all late payments at the lesser of: (i) the rate of one-and-a-half percent (1.5%) per month, or (ii) the highest rate permissible under applicable law, calculated daily and compounded monthly.

Recipient shall reimburse Infinity Drain for all costs incurred in collecting any late payments, including, without limitation, court costs, collection agency fees and/or attorneys' fees. Administrative fees of fifteen percent (15%) will be added to the interest charges on all overdue accounts when payment is obtained through a collection agency. In addition to all other remedies available under these Terms or at law (which Infinity Drain does not waive by the exercise of any rights hereunder), Infinity Drain shall be entitled to suspend the delivery of any merchandise if Recipient fails to pay any amounts when due hereunder and such failure continues for five (5) days following written notice thereof. Recipient shall not withhold payment of any amounts due and payable by reason of any set-off of any claim or dispute with Infinity Drain, whether relating to Infinity Drain's breach, bankruptcy or otherwise.

Terms and Conditions

Limited Lifetime Warranty

This Limited Lifetime Warranty is extended only to the original purchaser of the unit under warranty and is valid only when bought through and registered by an authorized Infinity Drain retailer.

Exclusions

The above-stated limited lifetime warranty applies as long as damage is not caused by an accident, abuse, misuse, fire, insects, use of abrasive products or an act of God. Transport, handling or installation damages are also excluded. Any part that must be changed during the warranty period will be covered by the original warranty or for a two (2) year period following replacement, according to the first contingency.

Procedure

Any defect involving the manufacturer's liability shall be reported to Infinity Drain within ten (10) days of its occurrence. Drains claimed to be defective shall be held until inspected by an authorized representative of Infinity Drain, and upon their specific instructions, drains found to be defective will be repaired and replaced at Infinity Drain's choice. The liability of Infinity Drain with respect to the sale of this drain shall be limited to repair or replacement by a similar product as provided above and does not include any cost of removal, reinstallation, transport of defective product, loss of time, salary or any other expenses as well as any consequential damages of any kind. Infinity Drain and its representatives shall not be held liable for any injury, loss, cost or other damage, whether consequential or incidental, that arise from any defect covered under this limited warranty, even if Infinity Drain has been advised of the possibility of such damage.

Limitations

This Limited Lifetime Warranty replaces all other warranties, expressed or implied, in face or at law, including implied warranties of merchantability and fitness for a particular purpose. The terms of this limited warranty cannot be modified or extended in any way whatsoever by any agency, dealer, distributor, service company or other party other than Infinity Drain.

Legal Rights

This Limited Warranty gives specific legal rights and is not applicable if it interferes with any law or regulation in any state, province or country.

Terms and Conditions

Lifetime Product Guarantee (INFINITY DRAIN, LTD. STAINLESS STEEL SHOWER BASE)

Infinity Drain products have been manufactured under the highest standards of quality and workmanship. Infinity Drain provides a lifetime guarantee on its stainless steel shower base (INFINITY DRAIN SSB SERIES only).

This guarantee is extended to the original installer of the product, the owner/developer of the installation site and the original owner of the finished product site (homeowner or landlord). This guarantee DOES NOT extend to any subsequent owners or users of the property. This lifetime coverage terminates upon the sale of the property to a subsequent owner of the property.

Infinity Drain guarantees that our stainless steel shower base (INFINITY DRAIN SSB SERIES) will be free from any and all leaks as well as free from defects in material and manufacturing workmanship, when subject to normal use during the lifetime of the original owner as stated above.

If the aforementioned Infinity Drain product should develop a leak during the guarantee period as defined above, Infinity Drain will provide a replacement shower base (INFINITY DRAIN SSB SERIES) at no cost to the claimant under the guarantee. Infinity Drain will further bear the cost of labor to remove and replace the defective Infinity Drain product and will restore the installation with the same "like and kind" materials originally used at no cost to the claimant.

THIS GUARANTEE IS APPLICABLE ONLY TO STAINLESS STEEL SHOWER BASES (INFINITY DRAIN SSB SERIES) purchased directly from INFINITY DRAIN or AN AUTHORIZED INFINITY DRAIN RETAILER AFTER MAY 1, 2019. NOTWITHSTANDING ANYTHING TO THE CONTRARY HEREIN, THE MAXIMUM LIABILITY OF EACH INCIDENT SHALL NOT EXCEED \$100 PER SQUARE FOOT FOR RESTORING THE INSTALLATION TO ITS ORIGINALLY INSTALLED CONDITION.

THIS GUARANTEE IS SUBJECT TO THE FOLLOWING LIMITATIONS:

1. The guaranteed product must have been installed in accordance with the manufacturer's explicit installation instructions. Products not installed in this manner WILL NOT be COVERED.
2. Installation must be completed using any and all Infinity Drain recommended products, materials and procedures, where applicable.
3. Infinity Drain shall solely determine whether the product was installed according to its installation instructions. Improper or inferior installation of such product will also expressly void this guarantee.
4. Any alteration to, or modification of the original design and manufacture of the Infinity Drain Stainless Steel Shower Base (INFINITY DRAIN SSB SERIES) will result in the voiding of this lifetime guarantee.
5. The original owner shall have the burden of establishing to Infinity Drain's reasonable satisfaction: (a) the date of the purchase of the product (b) that the product was purchased directly from Infinity Drain or an authorized retailer of Infinity Drain (c) the original owner's current ownership of the premises in which Infinity Drain's product was installed.

Terms and Conditions

6. This guarantee will not cover claims for the following:
 - (a) Damage to or failure of the guaranteed product resulting from acts of the homeowner, the installer or another third party
 - (b) Damage to or failure of the product resulting from unreasonable use or the failure to reasonably maintain the product after the date of purchase
 - (c) Damage due to installation error, product abuse, product misuse, or use of cleaners containing abrasives, or other organic or chemical solvents, whether performed by a contractor, service company, or the purchaser are excluded from this guarantee
 - (d) Damage due to criminal acts, acts of terrorism or acts of god
7. Infinity Drain will not be responsible for labor charges and/or damage incurred in installation, repair or replacement (other than those completed by an authorized Infinity Drain representative) in addressing a guarantee claim.
8. THE PROVISIONS OF THIS GUARANTEE ARE IN LIEU OF ANY OTHER GUARANTEE, EITHER EXPRESS OR IMPLIED, INCLUDING SPECIFICALLY, BUT NOT LIMITED TO, ANY GUARANTEE OF MERCHANTABILITY OR FITNESS FOR A PARTICULAR PURPOSE.
9. THE OBLIGATIONS AND LIABILITIES OF INFINITY DRAIN UNDER THIS GUARANTEE OR UNDER ANY IMPLIED GUARANTEE WHICH IS APPLICABLE DESPITE THE PRECEEDING DISCLAIMER ARE IN LIEU OF ALL OTHER OBLIGATIONS OR LIABILITIES INCLUDING, WITHOUT LIMITATION, LIABILITY FOR INCIDENTAL, CONSEQUENTIAL AND/OR ANY OTHER DAMAGES BASED UPON ANY THEORY OF RECOVERY AT LAW OR IN EQUITY. THESE INCLUDE SPECIFICALLY ANY THEORY OR NEGLIGENCE, BREACH OF CONTRACT, BREACH OF GUARANTEE OR STRICT LIABILITY.

THIS GUARANTEE IS SUBJECT TO THE FOLLOWING CUSTOMER RESPONSIBILITIES:

The guarantee claimant must notify Infinity Drain within thirty (30) days of discovering the basis for a claim under this guarantee. This notice must be made IN WRITING and MUST PROVIDE proof of the date of purchase of the STAINLESS STEEL SHOWER BASE (INFINITY DRAIN SSB SERIES) from either INFINITY DRAIN directly, or through an AUTHORIZED INFINITY DRAIN RETAILER, as well as proof of CURRENT ownership of the property where the product is located.

All notifications must be sent via EMAIL to: claims@infinitydrain.com

Furthermore, the claimant may be required to submit photographic evidence, or other requested documentation, to Infinity Drain, along with or subsequent to their submission of a claim. Infinity Drain will then investigate the claim in a timely manner. If a defect covered by this guarantee is confirmed by Infinity Drain, Infinity Drain will satisfy its obligation set forth under this guarantee within a reasonable amount of time.

Infinity Drain MUST BE ALLOWED a reasonable opportunity to determine and fulfill its obligations under this guarantee before the original owner or others take any step to make repairs. Furthermore, Infinity Drain or its contractors or representatives must be given access, during regular business hours, to the site of the claim as needed. The claimant's failure to abide by the terms of this provision shall void any and all responsibility of Infinity Drain.

Terms and Conditions

Delivery and Exclusions

Transport, handling or installation damages are excluded from the Limited Warranty. The merchandise will be delivered within a reasonable time after the receipt of Recipient's purchase order, subject to the availability of the merchandise. Infinity Drain shall not be liable for any delays, loss or damage in transit of any merchandise.

Infinity Drain shall not be liable for any non-delivery of merchandise (even if caused by Infinity Drain's negligence) unless Recipient gives written notice to Infinity Drain of the non-delivery within five (5) days of the date when the merchandise would in the ordinary course of events have been received. Any liability of Infinity Drain for non-delivery of merchandise shall be limited to, at infinity Drain's option, either: (i) replacing the merchandise within a reasonable time, or (ii) adjusting any applicable invoice respecting such merchandise to reflect the actual quantity delivered.

Any merchandise that must be changed or replaced pursuant to the Limited Warranty will be itself warranted up until a two (2) year period following any such change or replacement. Infinity Drain shall not be liable or responsible to any Recipient, nor be deemed to have defaulted or breached these Terms, for any failure or delay in fulfilling or performing any term of these Terms when and to the extent such failure or delay is caused by or results from acts or circumstances beyond the reasonable control of Infinity Drain including, without limitation, acts of God, flood, fire, earthquake, explosion, governmental actions, war, invasion or hostilities (whether war is declared or not), terrorist threats or acts, riot, other civil unrest, national emergency, revolution, insurrection, epidemic, lockouts, strikes or other labor disputes (whether or not relating to either party's workforce), restraints or delays affecting carriers or inability or delay in obtaining supplies of adequate or suitable materials, materials, telecommunication breakdown, power outage or any other force majeure event.

Limitation of Liability

INFINITY DRAIN MAKES NO WARRANTY WHATSOEVER WITH RESPECT TO ITS MERCHANDISE, INCLUDING WITHOUT LIMITATION ANY: (A) WARRANTY OF MERCHANTABILITY; (B) WARRANTY OF FITNESS FOR A PARTICULAR PURPOSE; (C) WARRANTY OF TITLE; OR (D) WARRANTY AGAINST INFRINGEMENT OF INTELLECTUAL PROPERTY RIGHTS OF A THIRD PARTY; WHETHER EXPRESS OR IMPLIED BY LAW, COURSE OF DEALING, COURSE OF PERFORMANCE, USAGE OF TRADE OR OTHERWISE.

THE REMEDIES SET FORTH IN THESE TERMS SHALL BE THE RECIPIENT'S SOLE AND EXCLUSIVE REMEDY AND INFINITY DRAIN'S ENTIRE LIABILITY FOR ANY BREACH OF THE LIMITED WARRANTY SET FORTH IN THESE TERMS.

IN NO EVENT SHALL INFINITY DRAIN BE LIABLE TO RECIPIENT OR ANY THIRD PARTY FOR ANY LOSS OF USE, REVENUE OR PROFIT, OR FOR ANY CONSEQUENTIAL, INDIRECT, INCIDENTAL, SPECIAL, EXEMPLARY, OR PUNITIVE DAMAGES WHETHER ARISING OUT OF BREACH OF CONTRACT, TORT (INCLUDING NEGLIGENCE) OR OTHERWISE, REGARDLESS OF WHETHER SUCH DAMAGES WERE FORESEEABLE AND WHETHER OR NOT RECIPIENT

Terms and Conditions

HAS BEEN ADVISED OF THE POSSIBILITY OF SUCH DAMAGES, AND NOTWITHSTANDING THE FAILURE OF ANY AGREED OR OTHER REMEDY OF ITS ESSENTIAL PURPOSE.

IN NO EVENT SHALL INFINITY DRAIN'S AGGREGATE LIABILITY ARISING OUT OF OR RELATED TO THESE TERMS, WHETHER ARISING OUT OF OR RELATED TO BREACH OF CONTRACT, TORT (INCLUDING NEGLIGENCE) OR OTHERWISE, EXCEED THE TOTAL OF THE AMOUNTS PAID TO INFINITY DRAIN FOR THE MERCHANDISE SOLD HEREUNDER.

Claims, Returns and Restocking Charges

All claims for damages and shortages in connection with any delivery must be reported to Infinity Drain in writing within five (5) days of delivery. Please notify customer service within thirty (30) days of any missing parts or defects. Merchandise may not be returned for any reason without prior written consent from Infinity Drain. Infinity Drain reserves the right to refuse a return on a non-standard drain. Returns will not be accepted unless an RGA number from Infinity Drain is clearly marked on each box. The RGA must be obtained by emailing RGA@infinitydrain.com . A specialist will review the RGA request, and upon approval will issue the RGA number. Merchandise may be returned up to ninety (90) days from date of receipt. RGA numbers are valid for thirty (30) days from issue date. Merchandise must be received within thirty (30) days from the RGA date of issue. All items will be subject to inspection by Infinity Drain. All items must be returned unused and in original condition, including packaging, components part, and all other container contents. A minimum of the greater of: (i) a twenty-five percent (25%) charge on the Recipient's base net price, or (ii) \$25.00, will be imposed as a restocking charge for each returned item accepted by Infinity Drain, in addition to all applicable charges for labor, materials and/or freight. All returned merchandise must be shipped freight prepaid.

Modifications

Infinity Drain reserves the right to change, without notice, the models, the specifications and the price of its merchandise. Infinity Drain also reserves the right to change these Terms & Conditions without notice.

Merchandise Ownership and Insurance

Infinity Drain will remain the owner of all merchandise sold until full and final payment of the invoice is received by Infinity Drain. Until such time that an invoice is paid in full, the Recipient must take reasonable care of the Infinity Drain merchandise and will be held responsible for all losses and damages when in possession of the merchandise. During the term of these Terms and for a period of two (2) years thereafter, the Recipient shall, at its own expense, maintain and carry insurance in full force and effect which includes, but is not limited to, commercial general liability (including product liability) in a sum no less than one million dollars (\$1,000,000.00) with financially sound and reputable insurers. Upon Infinity Drain's request, Recipient shall provide Infinity Drain with a certificate of insurance from Recipient's insurer evidencing the insurance coverage specified in these Terms. Recipient shall provide Infinity Drain with ten (10) days' advance written notice in the event of a cancellation or material change in Recipient's insurance policy.

Terms and Conditions

Advising Obligations

In the case of a dealer, such dealer agrees to advise Infinity Drain in writing of all seizures, losses or damages that involve any Infinity Drain merchandise in dealer's inventory for which Infinity Drain has not been paid in full, within three (3) business days of becoming aware of all such seizures, losses or damages.

Intellectual Property Rights and Other Proprietary Rights

Each Recipient acknowledges that all intellectual property rights and other proprietary rights regarding Infinity Drain's business, activities, merchandise, and promotional material, and any technology pertaining thereto, are the sole property of Infinity Drain. Each Recipient agrees to limit its use of Infinity Drain's intellectual property rights and other proprietary rights to only those uses expressly authorized by Infinity Drain. Each Recipient agrees to promptly and fully inform Infinity Drain of any infringement or alleged infringement of any Infinity Drain intellectual property rights or other proprietary rights by any person, including any competitor of Infinity Drain, of which such Recipient may become aware.

Freight Charges

Freight charges apply to drains, as well as residential, commercial and construction site drop shipments. Other shipping charges such as re-consignment, redelivery and storage charges may apply when requested by a Recipient. Please contact Infinity Drain's order desk for applicable fees.

Cancellation Policy

All stock orders cancelled after forty-eight (48) hours will incur a ten percent (10%) cancellation charge.

General Terms

All matters arising out of or relating to these Terms shall be governed by and construed in accordance with the laws of the State of New York without giving effect to any choice or conflict of law provision. Any legal suit, action or proceeding arising out of or relating to these Terms shall be instituted in the state courts located in Suffolk County, New York or the federal courts of the United States of America located in Suffolk County, New York, and each party irrevocably submits to the exclusive jurisdiction of such courts in any such suit, action or proceeding.

If any term or provision of these Terms is held invalid, illegal or unenforceable by a Court of competent jurisdiction, such invalidity, illegality or unenforceability shall not affect any

Terms and Conditions

other term or provision of these Terms or invalidate or render unenforceable such term or provision in any other jurisdiction. No waiver by Infinity Drain of any of the provisions of these Terms is effective unless explicitly set forth in writing and signed by Infinity Drain. No failure to exercise, or delay in exercising, any right, remedy, power or privilege arising from these Terms operates, or may be construed, as a waiver thereof. No single or partial exercise of any right, remedy, power or privilege hereunder precludes any other or further exercise thereof or the exercise of any other right, remedy, power or privilege.

These Terms cannot be modified or extended in any way whatsoever by any agent, dealer, distributor, service company, customer or other party other than by a writing signed by an authorized representative of Infinity Drain.

Compliance with Law

The Recipient shall comply with all applicable laws, regulations and ordinances and shall maintain in effect all the licenses, permissions, authorizations, consents and permits that it needs to carry out its obligations under these Terms.

Termination

In addition to any remedies that may be provided under these Terms, Infinity Drain may terminate these Terms with immediate effect upon written notice to Recipient, if such Recipient: (i) fails to pay any amount when due under these Terms; (ii) has not otherwise performed or complied with any of these Terms, in whole or in part; or (iii) becomes insolvent, files a petition for bankruptcy or commences or has commenced against it proceedings relating to bankruptcy, receivership, reorganization or assignment for the benefit of creditors.

Price Sheet & Index

SKU	List Price	Page #	Shipping Dimensions			
			Lbs	L	W	H
A 10048 BK	\$1260	135	10	53	7	7
A 10048 ORB	\$1260	135	10	53	7	7
A 10048 PS	\$1260	135	10	53	7	7
A 10048 SB	\$1260	135	10	53	7	7
A 10048 SS	\$1060	135	10	53	7	7
A 3836 BK	\$720	127	7	41	7	7
A 3836 ORB	\$720	127	7	41	7	7
A 3836 PS	\$720	127	7	41	7	7
A 3836 SB	\$720	127	7	41	7	7
A 3836 SS	\$570	127	7	41	7	7
A 3848 BK	\$960	127	9	53	7	7
A 3848 ORB	\$960	127	9	53	7	7
A 3848 PS	\$960	127	9	53	7	7
A 3848 SB	\$960	127	9	53	7	7
A 3848 SS	\$760	127	9	53	7	7
A 3860 BK	\$1200	127	10	65	7	7
A 3860 ORB	\$1200	127	10	65	7	7
A 3860 PS	\$1200	127	10	65	7	7
A 3860 SB	\$1200	127	10	65	7	7
A 3860 SS	\$950	127	10	65	7	7
A 3872 BK	\$1440	127	13	78	7	7
A 3872 ORB	\$1440	127	13	78	7	7
A 3872 PS	\$1440	127	13	78	7	7
A 3872 SB	\$1440	127	13	78	7	7
A 3872 SS	\$1140	127	13	78	7	7
A 6536 BK	\$885	131	8	41	7	7
A 6536 ORB	\$885	131	8	41	7	7
A 6536 PS	\$885	131	8	41	7	7
A 6536 SB	\$885	131	8	41	7	7
A 6536 SS	\$735	131	8	41	7	7
A 6548 BK	\$1180	131	10	53	7	7
A 6548 ORB	\$1180	131	10	53	7	7
A 6548 PS	\$1180	131	10	53	7	7
A 6548 SB	\$1180	131	10	53	7	7
A 6548 SS	\$980	131	10	53	7	7
A 6560 BK	\$1475	131	12	65	7	7
A 6560 ORB	\$1475	131	12	65	7	7
A 6560 PS	\$1475	131	12	65	7	7
A 6560 SB	\$1475	131	12	65	7	7
A 6560 SS	\$1225	131	12	65	7	7
A 6572 BK	\$1770	131	15	78	7	7
A 6572 ORB	\$1770	131	15	78	7	7
A 6572 PS	\$1770	131	15	78	7	7
A 6572 SB	\$1770	131	15	78	7	7
A 6572 SS	\$1470	131	15	78	7	7
AKEY	\$5	158	1	4	4	4
BA 6524 BK	\$520	142	4	30	7	7
BA 6524 ORB	\$520	142	4	30	7	7
BA 6524 PS	\$520	142	4	30	7	7
BA 6524 SB	\$520	142	4	30	7	7
BA 6524 SS	\$400	142	4	30	7	7
BA 6532 BK	\$680	142	5	37	7	7
BA 6532 ORB	\$680	142	5	37	7	7
BA 6532 PS	\$680	142	5	37	7	7
BA 6532 SB	\$680	142	5	37	7	7
BA 6532 SS	\$520	142	5	37	7	7
BA 6536 BK	\$780	142	6	41	7	7
BA 6536 ORB	\$780	142	6	41	7	7
BA 6536 PS	\$780	142	6	41	7	7
BA 6536 SB	\$780	142	6	41	7	7
BA 6536 SS	\$600	142	6	41	7	7
BA 6542 BK	\$940	142	8	47	7	7
BA 6542 ORB	\$940	142	8	47	7	7
BA 6542 PS	\$940	142	8	47	7	7
BA 6542 SB	\$940	142	8	47	7	7
BA 6542 SS	\$720	142	8	47	7	7
BA 6548 BK	\$1040	142	9	53	7	7
BA 6548 ORB	\$1040	142	9	53	7	7
BA 6548 PS	\$1040	142	9	53	7	7
BA 6548 SB	\$1040	142	9	53	7	7
BA 6548 SS	\$800	142	9	53	7	7
BA 6560 BK	\$1300	142	11	65	7	7
BA 6560 ORB	\$1300	142	11	65	7	7
BA 6560 PS	\$1300	142	11	65	7	7
BA 6560 SB	\$1300	142	11	65	7	7
BA 6560 SS	\$1000	142	11	65	7	7
BA 65C 0-36 BK	\$1365	125	6	41	7	7
BA 65C 0-36 ORB	\$1365	125	6	41	7	7
BA 65C 0-36 PS	\$1365	125	6	41	7	7
BA 65C 0-36 SB	\$1365	125	6	41	7	7
BA 65C 0-36 SS	\$1050	125	6	41	7	7
BA 65C 37-48 BK	\$1820	125	9	53	7	7
BA 65C 37-48 ORB	\$1820	125	9	53	7	7
BA 65C 37-48 PS	\$1820	125	9	53	7	7
BA 65C 37-48 SB	\$1820	125	9	53	7	7
BA 65C 37-48 SS	\$1400	125	9	53	7	7
BA 65C 49-60 BK	\$2275	125	11	64	7	7
BA 65C 49-60 ORB	\$2275	125	11	64	7	7

SKU	List Price	Page #	Shipping Dimensions			
			Lbs	L	W	H
BA 65C 49-60 PS	\$2275	125	11	64	7	7
BA 65C 49-60 SB	\$2275	125	11	64	7	7
BA 65C 49-60 SS	\$1750	125	11	64	7	7
BA 65C 61-72 BK	\$2730	125	14	76	7	7
BA 65C 61-72 ORB	\$2730	125	14	76	7	7
BA 65C 61-72 PS	\$2730	125	14	76	7	7
BA 65C 61-72 SB	\$2730	125	14	76	7	7
BA 65C 61-72 SS	\$2100	125	14	76	7	7
BA 65C 73-84 BK	\$3185	125	18	88	7	7
BA 65C 73-84 ORB	\$3185	125	18	88	7	7
BA 65C 73-84 PS	\$3185	125	18	88	7	7
BA 65C 73-84 SB	\$3185	125	18	88	7	7
BA 65C 73-84 SS	\$2450	125	18	88	7	7
BA 65C 85-96 BK	\$3640	125	21	102	7	7
BA 65C 85-96 ORB	\$3640	125	21	102	7	7
BA 65C 85-96 PS	\$3640	125	21	102	7	7
BA 65C 85-96 SB	\$3640	125	21	102	7	7
BA 65C 85-96 SS	\$2800	125	21	102	7	7
BCC-3060	\$3395	153	80	62	30	13
BCC-3060NS-BK	\$3530	92	80	62	30	13
BCC-3060NS-ORB	\$3530	92	80	62	30	13
BCC-3060NS-PS	\$3530	92	80	62	30	13
BCC-3060NS-SB	\$3530	92	80	62	30	13
BCC-3060NS-SS	\$3495	92	80	62	30	13
BCC-3060QS-BK	\$3530	91	80	62	30	13
BCC-3060QS-ORB	\$3530	91	80	62	30	13
BCC-3060QS-PS	\$3530	91	80	62	30	13
BCC-3060QS-SB	\$3530	91	80	62	30	13
BCC-3060QS-SS	\$3495	91	80	62	30	13
BCC-3060TI-BK	\$3565	90	80	62	30	13
BCC-3060TI-ORB	\$3565	90	80	62	30	13
BCC-3060TI-PS	\$3565	90	80	62	30	13
BCC-3060TI-SB	\$3565	90	80	62	30	13
BCC-3060TI-SS	\$3530	90	80	62	30	13
BCC-3060WS-BK	\$3615	89	80	62	30	13
BCC-3060WS-ORB	\$3615	89	80	62	30	13
BCC-3060WS-PS	\$3615	89	80	62	30	13
BCC-3060WS-SB	\$3615	89	80	62	30	13
BCC-3060WS-SS	\$3580	89	80	62	30	13
BCC-H-3060	\$3395	153	80	62	30	13
BCC-H-3060NS-BK	\$3530	92	80	62	30	13
BCC-H-3060NS-ORB	\$3530	92	80	62	30	13
BCC-H-3060NS-PS	\$3530	92	80	62	30	13
BCC-H-3060NS-SB	\$3530	92	80	62	30	13
BCC-H-3060NS-SS	\$3495	92	80	62	30	13
BCC-H-3060QS-BK	\$3530	91	80	62	30	13
BCC-H-3060QS-ORB	\$3530	91	80	62	30	13
BCC-H-3060QS-PS	\$3530	91	80	62	30	13
BCC-H-3060QS-SB	\$3495	91	80	62	30	13
BCC-H-3060TI-BK	\$3565	90	80	62	30	13
BCC-H-3060TI-ORB	\$3565	90	80	62	30	13
BCC-H-3060TI-PS	\$3565	90	80	62	30	13
BCC-H-3060TI-SB	\$3565	90	80	62	30	13
BCC-H-3060TI-SS	\$3530	90	80	62	30	13
BCC-H-3060WS-BK	\$3615	89	80	62	30	13
BCC-H-3060WS-ORB	\$3615	89	80	62	30	13
BCC-H-3060WS-PS	\$3615	89	80	62	30	13
BCC-H-3060WS-SB	\$3615	89	80	62	30	13
BCC-H-3060WS-SS	\$3580	89	80	62	30	13
BCL-3060	\$3395	153	80	62	30	13
BCL-3060NS-BK	\$3530	92	80	62	30	13
BCL-3060NS-ORB	\$3530	92	80	62	30	13
BCL-3060NS-PS	\$3530	92	80	62	30	13
BCL-3060NS-SB	\$3530	92	80	62	30	13
BCL-3060NS-SS	\$3495	92	80	62	30	13
BCL-3060QS-BK	\$3530	91	80	62	30	13
BCL-3060QS-ORB	\$3530	91	80	62	30	13
BCL-3060QS-PS	\$3530	91	80	62	30	13
BCL-3060QS-SB	\$3530	91	80	62	30	13
BCL-3060QS-SS	\$3495	91	80	62	30	13
BCL-3060TI-BK	\$3565	90	80	62	30	13
BCL-3060TI-ORB	\$3565	90	80	62	30	13
BCL-3060TI-PS	\$3565	90	80	62	30	13
BCL-3060TI-SB	\$3565	90	80	62	30	13
BCL-3060TI-SS	\$3530	90	80	62	30	13
BCL-3060WS-BK	\$3615	89	80	62	30	13
BCL-3060WS-ORB	\$3615	89	80	62	30	13
BCL-3060WS-PS	\$3615	89	80	62	30	13
BCL-3060WS-SB	\$3615	89	80	62	30	13
BCL-3060WS-SS	\$3580	89	80	62	30	13
BCL-H-3060	\$3395	153	80	62	30	13
BCL-H-3060NS-BK	\$3530	92	80	62	30	13
BCL-H-3060NS-ORB	\$3530	92	80	62	30	13
BCL-H-3060NS-PS	\$3530	92	80	62	30	13
BCL-H-3060NS-SB	\$3530	92	80	62	30	13
BCL-H-3060NS-SS	\$3495	92	80	62	30	13
BCL-H-3060QS-BK	\$3530	91	80	62	30	13

Price Sheet & Index

SKU	List Price	Page #	Shipping Dimensions			
			Lbs	L	W	H
BCL-H-3060QS-ORB	\$3530	91	80	62	30	13
BCL-H-3060QS-PS	\$3530	91	80	62	30	13
BCL-H-3060QS-SB	\$3530	91	80	62	30	13
BCL-H-3060QS-SS	\$3495	91	80	62	30	13
BCL-H-3060TI-BK	\$3565	90	80	62	30	13
BCL-H-3060TI-ORB	\$3565	90	80	62	30	13
BCL-H-3060TI-PS	\$3565	90	80	62	30	13
BCL-H-3060TI-SB	\$3565	90	80	62	30	13
BCL-H-3060TI-SS	\$3530	90	80	62	30	13
BCL-H-3060WS-BK	\$3615	89	80	62	30	13
BCL-H-3060WS-ORB	\$3615	89	80	62	30	13
BCL-H-3060WS-PS	\$3615	89	80	62	30	13
BCL-H-3060WS-SB	\$3615	89	80	62	30	13
BCL-H-3060WS-SS	\$3580	89	80	62	30	13
BCR-3060	\$3395	153	80	62	30	13
BCR-3060NS-BK	\$3530	92	80	62	30	13
BCR-3060NS-ORB	\$3530	92	80	62	30	13
BCR-3060NS-PS	\$3530	92	80	62	30	13
BCR-3060NS-SB	\$3530	92	80	62	30	13
BCR-3060NS-SS	\$3495	92	80	62	30	13
BCR-3060QS-BK	\$3530	91	80	62	30	13
BCR-3060QS-ORB	\$3530	91	80	62	30	13
BCR-3060QS-PS	\$3530	91	80	62	30	13
BCR-3060QS-SB	\$3530	91	80	62	30	13
BCR-3060QS-SS	\$3495	91	80	62	30	13
BCR-3060TI-BK	\$3565	90	80	62	30	13
BCR-3060TI-ORB	\$3565	90	80	62	30	13
BCR-3060TI-PS	\$3565	90	80	62	30	13
BCR-3060TI-SB	\$3565	90	80	62	30	13
BCR-3060TI-SS	\$3530	90	80	62	30	13
BCR-3060WS-BK	\$3615	89	80	62	30	13
BCR-3060WS-ORB	\$3615	89	80	62	30	13
BCR-3060WS-PS	\$3615	89	80	62	30	13
BCR-3060WS-SB	\$3615	89	80	62	30	13
BCR-3060WS-SS	\$3580	89	80	62	30	13
BCR-H-3060	\$3395	153	80	62	30	13
BCR-H-3060NS-BK	\$3530	92	80	62	30	13
BCR-H-3060NS-ORB	\$3530	92	80	62	30	13
BCR-H-3060NS-PS	\$3530	92	80	62	30	13
BCR-H-3060NS-SB	\$3530	92	80	62	30	13
BCR-H-3060NS-SS	\$3495	92	80	62	30	13
BCR-H-3060QS-BK	\$3530	91	80	62	30	13
BCR-H-3060QS-ORB	\$3530	91	80	62	30	13
BCR-H-3060QS-PS	\$3530	91	80	62	30	13
BCR-H-3060QS-SB	\$3530	91	80	62	30	13
BCR-H-3060QS-SS	\$3495	91	80	62	30	13
BCR-H-3060TI-BK	\$3565	90	80	62	30	13
BCR-H-3060TI-ORB	\$3565	90	80	62	30	13
BCR-H-3060TI-PS	\$3565	90	80	62	30	13
BCR-H-3060TI-SB	\$3565	90	80	62	30	13
BCR-H-3060TI-SS	\$3530	90	80	62	30	13
BCR-H-3060WS-BK	\$3615	89	80	62	30	13
BCR-H-3060WS-ORB	\$3615	89	80	62	30	13
BCR-H-3060WS-PS	\$3615	89	80	62	30	13
BCR-H-3060WS-SB	\$3615	89	80	62	30	13
BCR-H-3060WS-SS	\$3580	89	80	62	30	13
BFA 22	\$125	156	3	13	13	7
BFA 42	\$125	156	3	13	13	7
BFP 22	\$125	156	3	13	13	7
BFP 42	\$125	156	3	13	13	7
BFS 22	\$225	156	4	13	13	7
BFS 42	\$225	156	4	13	13	7
BGF 5	\$20	153	1	6	6	2
BLC-3060	\$2895	154	80	62	30	13
BLC-3060AS-BK	\$4135	93	80	62	30	13
BLC-3060AS-ORB	\$4135	93	80	62	30	13
BLC-3060AS-PS	\$4135	93	80	62	30	13
BLC-3060AS-SB	\$4135	93	80	62	30	13
BLC-3060AS-SS	\$3895	93	80	62	30	13
BLC-3060IG-BK	\$3420	95	80	62	30	13
BLC-3060IG-ORB	\$3420	95	80	62	30	13
BLC-3060IG-PS	\$3420	95	80	62	30	13
BLC-3060IG-SB	\$3420	95	80	62	30	13
BLC-3060IG-SS	\$3205	95	80	62	30	13
BLC-3060TI-BK	\$3610	94	80	62	30	13
BLC-3060TI-ORB	\$3610	94	80	62	30	13
BLC-3060TI-PS	\$3610	94	80	62	30	13
BLC-3060TI-SB	\$3610	94	80	62	30	13
BLC-3060TI-SS	\$3515	94	80	62	30	13
BLC-H-3060	\$2895	154	80	62	30	13
BLC-H-3060AS-BK	\$4135	93	80	62	30	13
BLC-H-3060AS-ORB	\$4135	93	80	62	30	13
BLC-H-3060AS-PS	\$4135	93	80	62	30	13
BLC-H-3060AS-SB	\$4135	93	80	62	30	13
BLC-H-3060AS-SS	\$3895	93	80	62	30	13
BLC-H-3060IG-BK	\$3420	95	80	62	30	13
BLC-H-3060IG-ORB	\$3420	95	80	62	30	13
BLC-H-3060IG-PS	\$3420	95	80	62	30	13
BLC-H-3060IG-SB	\$3420	95	80	62	30	13
BLC-H-3060IG-SS	\$3205	95	80	62	30	13
BLC-H-3060TI-BK	\$3610	94	80	62	30	13
BLC-H-3060TI-ORB	\$3610	94	80	62	30	13
BLC-H-3060TI-PS	\$3610	94	80	62	30	13
BLC-H-3060TI-SB	\$3610	94	80	62	30	13
BLC-H-3060TI-SS	\$3515	94	80	62	30	13
BLC-H-3060	\$2895	154	80	62	30	13
BLC-H-3060AS-BK	\$4135	93	80	62	30	13
BLC-H-3060AS-ORB	\$4135	93	80	62	30	13
BLC-H-3060AS-PS	\$4135	93	80	62	30	13
BLC-H-3060AS-SB	\$4135	93	80	62	30	13
BLC-H-3060AS-SS	\$3895	93	80	62	30	13
BLC-H-3060IG-BK	\$3420	95	80	62	30	13
BLC-H-3060IG-ORB	\$3420	95	80	62	30	13
BLC-H-3060IG-PS	\$3420	95	80	62	30	13

SKU	List Price	Page #	Shipping Dimensions			
			Lbs	L	W	H
BLC-H-3060IG-SB	\$3420	95	80	62	30	13
BLC-H-3060IG-SS	\$3205	95	80	62	30	13
BLC-H-3060TI-BK	\$3610	94	80	62	30	13
BLC-H-3060TI-ORB	\$3610	94	80	62	30	13
BLC-H-3060TI-PS	\$3610	94	80	62	30	13
BLC-H-3060TI-SB	\$3610	94	80	62	30	13
BLC-H-3060TI-SS	\$3515	94	80	62	30	13
BLL-3060	\$2895	154	80	62	30	13
BLL-3060AS-BK	\$3445	93	80	62	30	13
BLL-3060AS-ORB	\$3445	93	80	62	30	13
BLL-3060AS-PS	\$3445	93	80	62	30	13
BLL-3060AS-SB	\$3445	93	80	62	30	13
BLL-3060AS-SS	\$3345	93	80	62	30	13
BLL-3060IG-BK	\$3125	95	80	62	30	13
BLL-3060IG-ORB	\$3125	95	80	62	30	13
BLL-3060IG-PS	\$3125	95	80	62	30	13
BLL-3060IG-SB	\$3125	95	80	62	30	13
BLL-3060IG-SS	\$3035	95	80	62	30	13
BLL-3060TI-BK	\$3210	94	80	62	30	13
BLL-3060TI-ORB	\$3210	94	80	62	30	13
BLL-3060TI-PS	\$3210	94	80	62	30	13
BLL-3060TI-SB	\$3210	94	80	62	30	13
BLL-3060TI-SS	\$3170	94	80	62	30	13
BLL-H-3060	\$2895	154	80	62	30	13
BLL-H-3060AS-BK	\$3445	93	80	62	30	13
BLL-H-3060AS-ORB	\$3445	93	80	62	30	13
BLL-H-3060AS-PS	\$3445	93	80	62	30	13
BLL-H-3060AS-SB	\$3445	93	80	62	30	13
BLL-H-3060AS-SS	\$3345	93	80	62	30	13
BLL-H-3060IG-BK	\$3125	95	80	62	30	13
BLL-H-3060IG-ORB	\$3125	95	80	62	30	13
BLL-H-3060IG-PS	\$3125	95	80	62	30	13
BLL-H-3060IG-SB	\$3125	95	80	62	30	13
BLL-H-3060IG-SS	\$3035	95	80	62	30	13
BLL-H-3060TI-BK	\$3210	94	80	62	30	13
BLL-H-3060TI-ORB	\$3210	94	80	62	30	13
BLL-H-3060TI-PS	\$3210	94	80	62	30	13
BLL-H-3060TI-SB	\$3210	94	80	62	30	13
BLL-H-3060TI-SS	\$3170	94	80	62	30	13
BLR-3060	\$2895	154	80	62	30	13
BLR-3060AS-BK	\$3445	93	80	62	30	13
BLR-3060AS-ORB	\$3445	93	80	62	30	13
BLR-3060AS-PS	\$3445	93	80	62	30	13
BLR-3060AS-SB	\$3445	93	80	62	30	13
BLR-3060AS-SS	\$3345	93	80	62	30	13
BLR-3060IG-BK	\$3125	95	80	62	30	13
BLR-3060IG-ORB	\$3125	95	80	62	30	13
BLR-3060IG-PS	\$3125	95	80	62	30	13
BLR-3060IG-SB	\$3125	95	80	62	30	13
BLR-3060IG-SS	\$3035	95	80	62	30	13
BLR-3060TI-BK	\$3210	94	80	62	30	13
BLR-3060TI-ORB	\$3210	94	80	62	30	13
BLR-3060TI-PS	\$3210	94	80	62	30	13
BLR-3060TI-SB	\$3210	94	80	62	30	13
BLR-3060TI-SS	\$3170	94	80	62	30	13
BLR-H-3060	\$2895	154	80	62	30	13
BLR-H-3060AS-BK	\$3445	93	80	62	30	13
BLR-H-3060AS-ORB	\$3445	93	80	62	30	13
BLR-H-3060AS-PS	\$3445	93	80	62	30	13
BLR-H-3060AS-SB	\$3445	93	80	62	30	13
BLR-H-3060AS-SS	\$3345	93	80	62	30	13
BLR-H-3060IG-BK	\$3125	95	80	62	30	13
BLR-H-3060IG-ORB	\$3125	95	80	62	30	13
BLR-H-3060IG-PS	\$3125	95	80	62	30	13
BLR-H-3060IG-SB	\$3125	95	80	62	30	13
BLR-H-3060IG-SS	\$3035	95	80	62	30	13
BLR-H-3060TI-BK	\$3210	94	80	62	30	13
BLR-H-3060TI-ORB	\$3210	94	80	62	30	13
BLR-H-3060TI-PS	\$3210	94	80	62	30	13
BLR-H-3060TI-SB	\$3210	94	80	62	30	13
BLR-H-3060TI-SS	\$3170	94	80	62	30	13
BTI 5 BK	\$205	153	1	6	6	2
BTI 5 ORB	\$205	153	1	6	6	2
BTI 5 PS	\$205	153	1	6	6	2
BTI 5 SB	\$205	153	1	6	6	2
BTI 5 SS	\$170	153	1	6	6	2
C 6524 SS	\$240		4	30	7	7
C 6532 SS	\$315		4	37	7	7
C 6536 SS	\$360		4	41	7	7
C 6542 SS	\$435		4	47	7	7
C 6548 SS	\$480		5	53	7	7
C 6560 SS	\$600		6	65	7	7
CBST 6524	\$445	144	4	30	7	7
CBST 6532	\$550	144	4	37	7	7
CBST 6536	\$615	144	4	41	7	7
CBST 6542	\$720	144	5	47	7	7
CBST 6548	\$785	144	6	53	7	7
CBST 6560	\$955	144	6	65	7	7

Price Sheet & Index

SKU	List Price	Page #	Shipping Dimensions			
			Lbs	L	W	H
CCH 24 PS	\$60	151	4	30	7	7
CCH 24 SS	\$55	151	4	30	7	7
CCH 30 PS	\$65	151	4	37	7	7
CCH 30 SS	\$60	151	4	37	7	7
CCH 32 PS	\$65	151	4	37	7	7
CCH 32 SS	\$60	151	4	37	7	7
CCH 36 PS	\$65	151	5	41	7	7
CCH 36 SS	\$60	151	5	41	7	7
CCH 42 PS	\$75	151	5	47	7	7
CCH 42 SS	\$70	151	5	47	7	7
CCH 48 PS	\$80	151	5	53	7	7
CCH 48 SS	\$75	151	5	53	7	7
CCH 54 PS	\$80	151	5	65	7	7
CCH 54 SS	\$75	151	5	65	7	7
CCH 60 PS	\$80	151	6	65	7	7
CCH 60 SS	\$75	151	6	65	7	7
CCL 24 PS	\$60	151	3	30	7	7
CCL 24 SS	\$55	151	3	30	7	7
CCL 30 PS	\$65	151	3	37	7	7
CCL 30 SS	\$60	151	3	37	7	7
CCL 32 PS	\$65	151	3	37	7	7
CCL 32 SS	\$60	151	3	37	7	7
CCL 36 PS	\$65	151	3	41	7	7
CCL 36 SS	\$60	151	3	41	7	7
CCL 42 PS	\$75	151	4	47	7	7
CCL 42 SS	\$70	151	4	47	7	7
CCL 48 PS	\$80	151	4	53	7	7
CCL 48 SS	\$75	151	4	53	7	7
CCL 54 PS	\$80	151	5	65	7	7
CCL 54 SS	\$75	151	5	65	7	7
CCL 60 PS	\$80	151	5	65	7	7
CCL 60 SS	\$75	151	5	65	7	7
CDA 22	\$65	155	1	5	5	5
CDA 42	\$125	155	4	9	9	6
CDA 43	\$125	155	4	9	9	6
CDA 43 W	\$125	155	4	9	9	6
CDAB 22	\$65	155	2	7	7	4
CDI 22	\$85	155	3	5	5	5
CDI 42	\$125	155	9	9	9	7
CDI 43	\$125	155	9	9	9	7
CDI 43 W	\$125	155	9	9	9	7
CDI 44	\$125	156	9	9	9	7
CDIB 22	\$85	156	4	7	7	4
CDIC 22	\$85	156	4	7	7	4
CDIC 42	\$125	156	8	9	9	7
CDIC 43	\$125	156	9	9	9	7
CDIH 22	\$85	155	3	5	5	5
CDIQ 42	\$325	156	8	9	9	7
CDIS 22	\$215	156	12	9	9	7
CDIS 42	\$375	156	13	9	9	7
CDIT 22	\$85	155	3	5	5	5
CDIT 42	\$125	155	7	9	9	7
CDIT 43	\$125	155	8	9	9	7
CDP 22	\$65	155	1	5	5	5
CDP 42	\$125	155	4	9	9	6
CDP 42 W	\$125	155	4	9	9	6
CDP 43	\$125	155	4	9	9	6
CDP 43 W	\$125	155	4	9	9	6
CDPB 22	\$65	155	2	7	7	4
CF 65	\$35	141	1	4	4	4
CI 2532	\$80	142	4	37	7	7
CI 2536	\$90	142	4	41	7	7
CI 2542	\$110	142	4	47	7	7
CI 2548	\$120	142	5	53	7	7
CI 2560	\$150	142	5	65	7	7
CI 25C 0-36	\$160	122	5	41	7	7
CI 25C 37-48	\$210	122	6	53	7	7
CI 25C 49-60	\$265	122	7	64	7	7
CI 25C 61-72	\$315	122	9	76	7	7
CI 25C 73-84	\$370	122	11	88	7	7
CI 25C 85-96	\$420	122	13	102	7	7
CRS 2	\$85	158	2	6	6	2
CS 38108	\$35	136	9	112	7	7
CS 3836	\$10	136	5	41	7	7
CS 3848	\$15	136	5	53	7	7
CS 3860	\$15	136	6	65	7	7
CS 3872	\$20	136	7	78	7	7
CS 3896	\$30	136	8	102	7	7
CS 65108	\$35	136	9	112	7	7
CS 6536	\$10	136	5	41	7	7
CS 6540	\$10	136	5	41	7	7
CS 6548	\$15	136	5	53	7	7
CS 6560	\$15	136	6	65	7	7
CS 6572	\$20	136	7	78	7	7
CS 6580	\$25	136	8	102	7	7
CS 6596	\$30	136	8	102	7	7
CSST 6524	\$575	144	4	30	7	7
CSST 6532	\$720	144	5	37	7	7

SKU	List Price	Page #	Shipping Dimensions			
			Lbs	L	W	H
CSST 6536	\$810	144	6	41	7	7
CSST 6542	\$950	144	7	47	7	7
CSST 6548	\$1,045	144	8	53	7	7
CSST 6560	\$1,280	144	9	65	7	7
CST 6524	\$445	144	4	30	7	7
CST 6532	\$550	144	5	37	7	7
CST 6536	\$615	144	6	41	7	7
CST 6542	\$720	144	7	47	7	7
CST 6548	\$785	144	8	53	7	7
CST 6560	\$955	144	9	65	7	7
CT 36 BK	\$10	140	3	41	7	7
CT 36 ORB	\$10	140	3	41	7	7
CT 36 PS	\$10	140	3	41	7	7
CT 36 SB	\$10	140	3	41	7	7
CT 36 SS	\$10	140	3	41	7	7
CT 40 BK	\$15	140	3	47	7	7
CT 40 ORB	\$15	140	3	47	7	7
CT 40 PS	\$15	140	3	47	7	7
CT 40 SB	\$15	140	3	47	7	7
CT 40 SS	\$10	140	3	47	7	7
CT 48 BK	\$15	140	4	53	7	7
CT 48 ORB	\$15	140	4	53	7	7
CT 48 PS	\$15	140	4	53	7	7
CT 48 SB	\$15	140	4	53	7	7
CT 48 SS	\$10	140	4	53	7	7
CT 60 BK	\$20	140	4	65	7	7
CT 60 ORB	\$20	140	4	65	7	7
CT 60 PS	\$20	140	4	65	7	7
CT 60 SB	\$20	140	4	65	7	7
CT 60 SS	\$15	140	4	65	7	7
CT 72 BK	\$25	140	5	78	7	7
CT 72 ORB	\$25	140	5	78	7	7
CT 72 PS	\$25	140	5	78	7	7
CT 72 SB	\$25	140	5	78	7	7
CT 72 SS	\$20	140	5	78	7	7
CT 80 BK	\$30	140	5	86	7	7
CT 80 ORB	\$30	140	5	86	7	7
CT 80 PS	\$30	140	5	86	7	7
CT 80 SB	\$30	140	5	86	7	7
CT 80 SS	\$25	140	5	86	7	7
CT 96 BK	\$35	140	6	102	7	7
CT 96 ORB	\$35	140	6	102	7	7
CT 96 PS	\$35	140	6	102	7	7
CT 96 SB	\$35	140	6	102	7	7
CT 96 SS	\$30	140	6	102	7	7
D 3848 BK	\$440	127	6	53	7	7
D 3848 ORB	\$440	127	6	53	7	7
D 3848 PS	\$440	127	6	53	7	7
D 3848 SB	\$440	127	6	53	7	7
D 3848 SS	\$260	127	6	53	7	7
D 3860 BK	\$550	127	7	65	7	7
D 3860 ORB	\$550	127	7	65	7	7
D 3860 PS	\$550	127	7	65	7	7
D 3860 SB	\$550	127	7	65	7	7
D 3860 SS	\$325	127	7	65	7	7
D 3896 BK	\$880	127	10	102	7	7
D 3896 ORB	\$880	127	10	102	7	7
D 3896 PS	\$880	127	10	102	7	7
D 3896 SB	\$880	127	10	102	7	7
D 3896 SS	\$520	127	10	102	7	7
D 6548 BK	\$440	131	7	53	7	7
D 6548 ORB	\$440	131	7	53	7	7
D 6548 PS	\$440	131	7	53	7	7
D 6548 SB	\$440	131	7	53	7	7
D 6548 SS	\$260	131	7	53	7	7
D 6560 BK	\$550	131	8	65	7	7
D 6560 ORB	\$550	131	8	65	7	7
D 6560 PS	\$550	131	8	65	7	7
D 6560 SB	\$550	131	8	65	7	7
D 6560 SS	\$325	131	8	65	7	7
D 6596 BK	\$880	131	12	102	7	7
D 6596 ORB	\$880	131	12	102	7	7
D 6596 PS	\$880	131	12	102	7	7
D 6596 SB	\$880	131	12	102	7	7
D 6596 SS	\$520	131	12	102	7	7
DKEY	\$5	158	1	4	4	4
E 100	\$5	135	1	6	6	2
E 38	\$5	127	1	4	4	4
E 65	\$5	131	1	4	4	4
EA 65C 0-36 BK	\$580	125	5	41	7	7
EA 65C 0-36 ORB	\$580	125	5	41	7	7
EA 65C 0-36 PS	\$580	125	5	41	7	7
EA 65C 0-36 SB	\$580	125	5	41	7	7
EA 65C 0-36 SS	\$345	125	5	41	7	7
EA 65C 37-48 BK	\$770	125	6	53	7	7
EA 65C 37-48 ORB	\$770	125	6	53	7	7
EA 65C 37-48 PS	\$770	125	6	53	7	7
EA 65C 37-48 SB	\$770	125	6	53	7	7

Price Sheet & Index

SKU	List Price	Page #	Shipping Dimensions			
			Lbs	L	W	H
EA 65C 37-48 SS	\$455	125	6	53	7	7
EA 65C 49-60 BK	\$965	125	7	64	7	7
EA 65C 49-60 ORB	\$965	125	7	64	7	7
EA 65C 49-60 PS	\$965	125	7	64	7	7
EA 65C 49-60 SB	\$965	125	7	64	7	7
EA 65C 49-60 SS	\$570	125	7	64	7	7
EA 65C 61-72 BK	\$1155	125	9	76	7	7
EA 65C 61-72 ORB	\$1155	125	9	76	7	7
EA 65C 61-72 PS	\$1155	125	9	76	7	7
EA 65C 61-72 SB	\$1155	125	9	76	7	7
EA 65C 61-72 SS	\$685	125	9	76	7	7
EA 65C 73-84 BK	\$1350	125	12	88	7	7
EA 65C 73-84 ORB	\$1350	125	12	88	7	7
EA 65C 73-84 PS	\$1350	125	12	88	7	7
EA 65C 73-84 SB	\$1350	125	12	88	7	7
EA 65C 73-84 SS	\$800	125	12	88	7	7
EA 65C 85-96 BK	\$1540	125	15	102	7	7
EA 65C 85-96 ORB	\$1540	125	15	102	7	7
EA 65C 85-96 PS	\$1540	125	15	102	7	7
EA 65C 85-96 SB	\$1540	125	15	102	7	7
EA 65C 85-96 SS	\$910	125	15	102	7	7
EL 38	\$5	129	1	4	4	4
EL 65	\$5	133	1	4	4	4
ER 65 BK	\$25	133	1	4	4	4
ER 65 ORB	\$25	133	1	4	4	4
ER 65 PS	\$25	133	1	4	4	4
ER 65 SB	\$25	133	1	4	4	4
ER 65 SS	\$25	133	1	4	4	4
ET 65 BK	\$25	133	1	4	4	4
ET 65 ORB	\$25	131	1	4	4	4
ET 65 PS	\$25	131	1	4	4	4
ET 65 SB	\$25	131	1	4	4	4
ET 65 SS	\$25	131	1	4	4	4
F 100	\$10	135	1	4	4	4
F 52-BK	\$345	146	4	7	7	4
F 52-ORB	\$425	146	4	7	7	4
F 52-PS	\$425	146	4	7	7	4
F 52-SB	\$425	146	4	7	7	4
F 52-SS	\$425	146	4	7	7	4
F 65	\$10	131	1	4	4	4
FC 125 65C 0-36 SS	\$790	122	8	41	7	7
FC 125 65C 37-48 SS	\$1050	122	10	54	7	7
FC 125 65C 49-60 SS	\$1315	122	12	64	7	7
FC 125 65C 61-72 SS	\$1575	122	15	76	7	7
FC 125 65C 73-84 SS	\$1840	122	17	88	7	7
FC 125 65C 85-96 SS	\$2100	122	20	102	7	7
FC 12532 SS	\$390	145	7	37	7	7
FC 12536 SS	\$450	145	8	41	7	7
FC 12542 SS	\$540	145	9	47	7	7
FC 12548 SS	\$600	145	10	53	7	7
FC 12560 SS	\$750	145	11	65	7	7
FC 6524 SS	\$240	141	6	30	7	7
FC 6532 SS	\$315	141	8	37	7	7
FC 6536 SS	\$360	141	8	41	7	7
FC 6542 SS	\$435	141	9	47	7	7
FC 6548 SS	\$480	141	9	53	7	7
FC 6560 SS	\$600	141	11	65	7	7
FC 65C 0-36 SS	\$630	121	6	41	7	7
FC 65C 37-48 SS	\$840	121	8	53	7	7
FC 65C 49-60 SS	\$1050	121	9	65	7	7
FC 65C 61-72 SS	\$1260	121	10	76	7	7
FC 65C 73-84 SS	\$1470	121	12	88	7	7
FC 65C 85-96 SS	\$1680	121	15	102	7	7
FCB 6524 SS	\$240	141	5	30	7	7
FCB 6532 SS	\$315	141	6	37	7	7
FCB 6536 SS	\$360	141	6	41	7	7
FCB 6542 SS	\$435	141	7	47	7	7
FCB 6548 SS	\$480	141	8	53	7	7
FCB 6560 SS	\$600	141	9	65	7	7
FCB 65C 0-36 SS	\$630	121	6	41	7	7
FCB 65C 37-48 SS	\$840	121	8	53	7	7
FCB 65C 49-60 SS	\$1050	121	9	65	7	7
FCB 65C 61-72 SS	\$1260	121	10	76	7	7
FCB 65C 73-84 SS	\$1470	121	11	88	7	7
FCB 65C 85-96 SS	\$1680	121	13	102	7	7
FCBAS 2532 BK	\$1010	47	9	37	7	7
FCBAS 2532 ORB	\$1010	47	9	37	7	7
FCBAS 2532 PS	\$1010	47	9	37	7	7
FCBAS 2532 SB	\$1010	47	9	37	7	7
FCBAS 2532 SS	\$880	47	9	37	7	7
FCBAS 2536 BK	\$1155	47	11	41	7	7
FCBAS 2536 ORB	\$1155	47	11	41	7	7
FCBAS 2536 PS	\$1155	47	11	41	7	7
FCBAS 2536 SB	\$1155	47	11	41	7	7
FCBAS 2536 SS	\$1005	47	11	41	7	7
FCBAS 2542 BK	\$1475	47	12	47	7	7
FCBAS 2542 ORB	\$1475	47	12	47	7	7
FCBAS 2542 PS	\$1475	47	12	47	7	7

SKU	List Price	Page #	Shipping Dimensions			
			Lbs	L	W	H
FCBAS 2542 SB	\$1475	47	12	47	7	7
FCBAS 2542 SS	\$1275	47	12	47	7	7
FCBAS 2548 BK	\$1755	47	13	53	7	7
FCBAS 2548 ORB	\$1755	47	13	53	7	7
FCBAS 2548 PS	\$1755	47	13	53	7	7
FCBAS 2548 SB	\$1755	47	13	53	7	7
FCBAS 2548 SS	\$1505	47	13	53	7	7
FCBAS 2560 BK	\$2130	47	16	65	7	7
FCBAS 2560 ORB	\$2130	47	16	65	7	7
FCBAS 2560 PS	\$2130	47	16	65	7	7
FCBAS 2560 SB	\$2130	47	16	65	7	7
FCBAS 2560 SS	\$1830	47	16	65	7	7
FCBAS 6524 BK	\$850	45	7	30	7	7
FCBAS 6524 ORB	\$850	45	7	30	7	7
FCBAS 6524 PS	\$850	45	7	30	7	7
FCBAS 6524 SB	\$850	45	7	30	7	7
FCBAS 6524 SS	\$750	45	7	30	7	7
FCBAS 6532 BK	\$1105	45	9	37	7	7
FCBAS 6532 ORB	\$1105	45	9	37	7	7
FCBAS 6532 PS	\$1105	45	9	37	7	7
FCBAS 6532 SB	\$1105	45	9	37	7	7
FCBAS 6532 SS	\$975	45	9	37	7	7
FCBAS 6536 BK	\$1265	45	10	41	7	7
FCBAS 6536 ORB	\$1265	45	10	41	7	7
FCBAS 6536 PS	\$1265	45	10	41	7	7
FCBAS 6536 SB	\$1265	45	10	41	7	7
FCBAS 6536 SS	\$1115	45	10	41	7	7
FCBAS 6542 BK	\$1520	45	12	47	7	7
FCBAS 6542 ORB	\$1520	45	12	47	7	7
FCBAS 6542 PS	\$1520	45	12	47	7	7
FCBAS 6542 SB	\$1520	45	12	47	7	7
FCBAS 6542 SS	\$1340	45	12	47	7	7
FCBAS 6548 BK	\$1680	45	1	53	7	7
FCBAS 6548 ORB	\$1680	45	12	53	7	7
FCBAS 6548 PS	\$1680	45	12	53	7	7
FCBAS 6548 SB	\$1680	45	12	53	7	7
FCBAS 6548 SS	\$1480	45	12	53	7	7
FCBAS 6560 BK	\$2095	45	15	65	7	7
FCBAS 6560 ORB	\$2095	45	15	65	7	7
FCBAS 6560 PS	\$2095	45	15	65	7	7
FCBAS 6560 SB	\$2095	45	15	65	7	7
FCBAS 6560 SS	\$1845	45	15	65	7	7
FCBIG 6524 BK	\$480	46	6	30	7	7
FCBIG 6524 ORB	\$480	46	6	30	7	7
FCBIG 6524 PS	\$480	46	6	30	7	7
FCBIG 6524 SB	\$480	46	6	30	7	7
FCBIG 6524 SS	\$390	46	6	30	7	7
FCBIG 6532 BK	\$625	46	8	37	7	7
FCBIG 6532 ORB	\$625	46	8	37	7	7
FCBIG 6532 PS	\$625	46	8	37	7	7
FCBIG 6532 SB	\$625	46	8	37	7	7
FCBIG 6532 SS	\$505	46	8	37	7	7
FCBIG 6536 BK	\$710	46	9	41	7	7
FCBIG 6536 ORB	\$710	46	9	41	7	7
FCBIG 6536 PS	\$710	46	9	41	7	7
FCBIG 6536 SB	\$710	46	9	41	7	7
FCBIG 6536 SS	\$575	46	9	41	7	7
FCBIG 6542 BK	\$855	46	10	47	7	7
FCBIG 6542 ORB	\$855	46	10	47	7	7
FCBIG 6542 PS	\$855	46	10	47	7	7
FCBIG 6542 SB	\$855	46	10	47	7	7
FCBIG 6542 SS	\$690	46	10	47	7	7
FCBIG 6548 BK	\$940	46	11	53	7	7
FCBIG 6548 ORB	\$940	46	11	53	7	7
FCBIG 6548 PS	\$940	46	11	53	7	7
FCBIG 6548 SB	\$940	46	11	53	7	7
FCBIG 6548 SS	\$760	46	11	53	7	7
FCBIG 6560 BK	\$1170	46	13	65	7	7
FCBIG 6560 ORB	\$1170	46	13	65	7	7
FCBIG 6560 PS	\$1170	46	13	65	7	7
FCBIG 6560 SB	\$1170	46	13	65	7	7
FCBIG 6560 SS	\$945	46	13	65	7	7
FCBSG 6524 BK	\$780	46	8	30	7	7
FCBSG 6524 ORB	\$780	46	8	30	7	7
FCBSG 6524 PS	\$780	46	8	30	7	7
FCBSG 6524 SB	\$780	46	8	30	7	7
FCBSG 6524 SS	\$660	46	8	30	7	7
FCBSG 6532 BK	\$1015	46	10	37	7	7
FCBSG 6532 ORB	\$1015	46	10	37	7	7
FCBSG 6532 PS	\$1015	46	10	37	7	7
FCBSG 6532 SB	\$1015	46	10	37	7	7
FCBSG 6532 SS	\$855	46	10	37	7	7
FCBSG 6536 BK	\$1160	46	12	41	7	7
FCBSG 6536 ORB	\$1160	46	12	41	7	7
FCBSG 6536 PS	\$1160	46	12	41	7	7
FCBSG 6536 SB	\$1160	46	12	41	7	7
FCBSG 6536 SS	\$980	46	12	41	7	7
FCBSG 6542 BK	\$1395	46	14	47	7	7

Price Sheet & Index

SKU	List Price	Page #	Shipping Dimensions			
			Lbs	L	W	H
FCBSG 6542 ORB	\$1395	46	14	47	7	7
FCBSG 6542 PS	\$1395	46	14	47	7	7
FCBSG 6542 SB	\$1395	46	14	47	7	7
FCBSG 6542 SS	\$1175	46	14	47	7	7
FCBSG 6548 BK	\$1540	46	16	53	7	7
FCBSG 6548 ORB	\$1540	46	16	53	7	7
FCBSG 6548 PS	\$1540	46	16	53	7	7
FCBSG 6548 SB	\$1540	46	16	53	7	7
FCBSG 6548 SS	\$1300	46	16	53	7	7
FCBSG 6560 BK	\$1920	46	17	65	7	7
FCBSG 6560 ORB	\$1920	46	17	65	7	7
FCBSG 6560 PS	\$1920	46	17	65	7	7
FCBSG 6560 SB	\$1920	46	17	65	7	7
FCBSG 6560 SS	\$1620	46	17	65	7	7
FCBST 24 BK	\$690	48	7	30	7	7
FCBST 24 ORB	\$690	48	7	30	7	7
FCBST 24 PS	\$690	48	7	30	7	7
FCBST 24 SB	\$690	48	7	30	7	7
FCBST 24 SS	\$640	48	7	30	7	7
FCBST 32 BK	\$840	48	9	37	7	7
FCBST 32 ORB	\$840	48	9	37	7	7
FCBST 32 PS	\$840	48	9	37	7	7
FCBST 32 SB	\$840	48	9	37	7	7
FCBST 32 SS	\$785	48	9	37	7	7
FCBST 36 BK	\$935	48	9	41	7	7
FCBST 36 ORB	\$935	48	9	41	7	7
FCBST 36 PS	\$935	48	9	41	7	7
FCBST 36 SB	\$935	48	9	41	7	7
FCBST 36 SS	\$870	48	9	41	7	7
FCBST 42 BK	\$1085	48	10	47	7	7
FCBST 42 ORB	\$1085	48	10	47	7	7
FCBST 42 PS	\$1085	48	10	47	7	7
FCBST 42 SB	\$1085	48	10	47	7	7
FCBST 42 SS	\$1015	48	10	47	7	7
FCBST 48 BK	\$1180	48	12	53	7	7
FCBST 48 ORB	\$1180	48	12	53	7	7
FCBST 48 PS	\$1180	48	12	53	7	7
FCBST 48 SB	\$1180	48	12	53	7	7
FCBST 48 SS	\$1100	48	12	53	7	7
FCBST 60 BK	\$1425	48	14	65	7	7
FCBST 60 ORB	\$1425	48	14	65	7	7
FCBST 60 PS	\$1425	48	14	65	7	7
FCBST 60 SB	\$1425	48	14	65	7	7
FCBST 60 SS	\$1330	48	14	65	7	7
FCBTIF 6524 BK	\$560	45	6	30	7	7
FCBTIF 6524 ORB	\$560	45	6	30	7	7
FCBTIF 6524 PS	\$560	45	6	30	7	7
FCBTIF 6524 SB	\$560	45	6	30	7	7
FCBTIF 6524 SS	\$520	45	6	30	7	7
FCBTIF 6532 BK	\$725	45	8	37	7	7
FCBTIF 6532 ORB	\$725	45	8	37	7	7
FCBTIF 6532 PS	\$725	45	8	37	7	7
FCBTIF 6532 SB	\$725	45	8	37	7	7
FCBTIF 6532 SS	\$675	45	8	37	7	7
FCBTIF 6536 BK	\$830	45	8	41	7	7
FCBTIF 6536 ORB	\$830	45	8	41	7	7
FCBTIF 6536 PS	\$830	45	8	41	7	7
FCBTIF 6536 SB	\$830	45	8	41	7	7
FCBTIF 6536 SS	\$770	45	8	41	7	7
FCBTIF 6542 BK	\$995	45	10	47	7	7
FCBTIF 6542 ORB	\$995	45	10	47	7	7
FCBTIF 6542 PS	\$995	45	10	47	7	7
FCBTIF 6542 SB	\$995	45	10	47	7	7
FCBTIF 6542 SS	\$925	45	10	47	7	7
FCBTIF 6548 BK	\$1100	45	11	53	7	7
FCBTIF 6548 ORB	\$1100	45	11	53	7	7
FCBTIF 6548 PS	\$1100	45	11	53	7	7
FCBTIF 6548 SB	\$1100	45	11	53	7	7
FCBTIF 6548 SS	\$1020	45	11	53	7	7
FCBTIF 6560 BK	\$1370	45	13	65	7	7
FCBTIF 6560 ORB	\$1370	45	13	65	7	7
FCBTIF 6560 PS	\$1370	45	13	65	7	7
FCBTIF 6560 SB	\$1370	45	13	65	7	7
FCBTIF 6560 SS	\$1270	45	13	65	7	7
FCH 6524 SS	\$240	141	5	30	7	7
FCH 6532 SS	\$315	141	6	37	7	7
FCH 6536 SS	\$360	141	7	41	7	7
FCH 6542 SS	\$435	141	8	47	7	7
FCH 6548 SS	\$480	141	9	53	7	7
FCH 6560 SS	\$600	141	10	65	7	7
FCH 65C 0-36 SS	\$630	122	8	41	7	7
FCH 65C 37-48 SS	\$840	122	9	53	7	7
FCH 65C 49-60 SS	\$1050	122	11	64	7	7
FCH 65C 61-72 SS	\$1260	122	13	76	7	7
FCH 65C 73-84 SS	\$1470	122	15	88	7	7
FCH 65C 85-96 SS	\$1680	122	17	102	7	7
FCS 125 65C 0-36 SS	\$1130	122	8	41	7	7
FCS 125 65C 37-48 SS	\$1505	122	10	54	7	7

SKU	List Price	Page #	Shipping Dimensions			
			Lbs	L	W	H
FCS 125 65C 49-60 SS	\$1885	122	12	64	7	7
FCS 125 65C 61-72 SS	\$2260	122	15	76	7	7
FCS 125 65C 73-84 SS	\$2635	122	17	88	7	7
FCS 125 65C 85-96 SS	\$3010	122	20	102	7	7
FCS 12532 SS	\$560	145	7	37	7	7
FCS 12536 SS	\$645	145	8	41	7	7
FCS 12542 SS	\$770	145	9	47	7	7
FCS 12548 SS	\$860	145	10	53	7	7
FCS 12560 SS	\$1075	145	11	64	7	7
FCS 6524	\$370	141	8	30	7	7
FCS 6532	\$485	141	8	37	7	7
FCS 6536	\$555	141	9	41	7	7
FCS 6542	\$665	141	9	47	7	7
FCS 6548	\$740	141	10	53	7	7
FCS 6560	\$925	141	12	65	7	7
FCS 65C 0-36 SS	\$975	121	6	41	7	7
FCS 65C 37-48 SS	\$1295	121	8	53	7	7
FCS 65C 49-60 SS	\$1620	121	9	65	7	7
FCS 65C 61-72 SS	\$1945	121	10	76	7	7
FCS 65C 73-84 SS	\$2270	121	15	88	7	7
FCS 65C 85-96 SS	\$2590	121	17	102	7	7
FCSAS 12532 BK	\$1670	43	14	37	7	7
FCSAS 12532 ORB	\$1670	43	14	37	7	7
FCSAS 12532 PS	\$1670	43	14	37	7	7
FCSAS 12532 SB	\$1670	43	14	37	7	7
FCSAS 12532 SS	\$1385	43	14	37	7	7
FCSAS 12536 BK	\$1920	43	15	41	7	7
FCSAS 12536 ORB	\$1920	43	15	41	7	7
FCSAS 12536 PS	\$1920	43	15	41	7	7
FCSAS 12536 SB	\$1920	43	15	41	7	7
FCSAS 12536 SS	\$1590	43	15	41	7	7
FCSAS 12542 BK	\$2300	43	18	47	7	7
FCSAS 12542 ORB	\$2300	43	18	47	7	7
FCSAS 12542 PS	\$2300	43	18	47	7	7
FCSAS 12542 SB	\$2300	43	18	47	7	7
FCSAS 12542 SS	\$1905	43	18	47	7	7
FCSAS 12548 BK	\$2555	43	19	53	7	7
FCSAS 12548 ORB	\$2555	43	19	53	7	7
FCSAS 12548 PS	\$2555	43	19	53	7	7
FCSAS 12548 SB	\$2555	43	19	53	7	7
FCSAS 12548 SS	\$2115	43	19	53	7	7
FCSAS 12560 BK	\$3190	43	24	64	7	7
FCSAS 12560 ORB	\$3190	43	24	64	7	7
FCSAS 12560 PS	\$3190	43	24	64	7	7
FCSAS 12560 SB	\$3190	43	24	64	7	7
FCSAS 12560 SS	\$2640	43	24	64	7	7
FCSAS 2532 BK	\$1180	43	10	37	7	7
FCSAS 2532 ORB	\$1180	43	10	37	7	7
FCSAS 2532 PS	\$1180	43	10	37	7	7
FCSAS 2532 SB	\$1180	43	10	37	7	7
FCSAS 2532 SS	\$1050	43	10	37	7	7
FCSAS 2536 BK	\$1350	43	11	41	7	7
FCSAS 2536 ORB	\$1350	43	11	41	7	7
FCSAS 2536 PS	\$1350	43	11	41	7	7
FCSAS 2536 SB	\$1350	43	11	41	7	7
FCSAS 2536 SS	\$1200	43	11	41	7	7
FCSAS 2542 BK	\$1705	43	12	47	7	7
FCSAS 2542 ORB	\$1705	43	12	47	7	7
FCSAS 2542 PS	\$1705	43	12	47	7	7
FCSAS 2542 SB	\$1705	43	12	47	7	7
FCSAS 2542 SS	\$1505	43	12	47	7	7
FCSAS 2548 BK	\$2015	43	14	53	7	7
FCSAS 2548 ORB	\$2015	43	14	53	7	7
FCSAS 2548 PS	\$2015	43	14	53	7	7
FCSAS 2548 SB	\$2015	43	14	53	7	7
FCSAS 2548 SS	\$1765	43	14	53	7	7
FCSAS 2560 BK	\$2455	43	17	65	7	7
FCSAS 2560 ORB	\$2455	43	17	65	7	7
FCSAS 2560 PS	\$2455	43	17	65	7	7
FCSAS 2560 SB	\$2455	43	17	65	7	7
FCSAS 2560 SS	\$2155	43	17	65	7	7
FCSAS 6524 BK	\$980	41	9	30	7	7
FCSAS 6524 ORB	\$980	41	9	30	7	7
FCSAS 6524 PS	\$980	41	9	30	7	7
FCSAS 6524 SB	\$980	41	9	30	7	7
FCSAS 6524 SS	\$880	41	9	30	7	7
FCSAS 6532 BK	\$1275	41	11	37	7	7
FCSAS 6532 ORB	\$1275	41	11	37	7	7
FCSAS 6532 PS	\$1275	41	11	37	7	7
FCSAS 6532 SB	\$1275	41	11	37	7	7
FCSAS 6532 SS	\$1145	41	11	37	7	7
FCSAS 6536 BK	\$1460	41	12	41	7	7
FCSAS 6536 ORB	\$1460	41	12	41	7	7
FCSAS 6536 PS	\$1460	41	12	41	7	7
FCSAS 6536 SB	\$1460	41	12	41	7	7
FCSAS 6536 SS	\$1310	41	12	41	7	7
FCSAS 6542 BK	\$1750	41	13	47	7	7
FCSAS 6542 ORB	\$1750	41	13	47	7	7

Price Sheet & Index

SKU	List Price	Page #	Shipping Dimensions			
			Lbs	L	W	H
FCSAS 6542 PS	\$1750	41	13	47	7	7
FCSAS 6542 SB	\$1750	41	13	47	7	7
FCSAS 6542 SS	\$1570	41	13	47	7	7
FCSAS 6548 BK	\$1940	41	15	53	7	7
FCSAS 6548 ORB	\$1940	41	15	53	7	7
FCSAS 6548 PS	\$1940	41	15	53	7	7
FCSAS 6548 SB	\$1940	41	15	53	7	7
FCSAS 6548 SS	\$1740	41	15	53	7	7
FCSAS 6560 BK	\$2420	41	17	65	7	7
FCSAS 6560 ORB	\$2420	41	17	65	7	7
FCSAS 6560 PS	\$2420	41	17	65	7	7
FCSAS 6560 SB	\$2420	41	17	65	7	7
FCSAS 6560 SS	\$2170	41	17	65	7	7
FCSIG 6524 BK	\$610	42	8	30	7	7
FCSIG 6524 ORB	\$610	42	8	30	7	7
FCSIG 6524 PS	\$610	42	8	30	7	7
FCSIG 6524 SB	\$610	42	8	30	7	7
FCSIG 6524 SS	\$520	42	8	30	7	7
FCSIG 6532 BK	\$795	42	10	37	7	7
FCSIG 6532 ORB	\$795	42	10	37	7	7
FCSIG 6532 PS	\$795	42	10	37	7	7
FCSIG 6532 SB	\$795	42	10	37	7	7
FCSIG 6532 SS	\$675	42	10	37	7	7
FCSIG 6536 BK	\$905	42	11	41	7	7
FCSIG 6536 ORB	\$905	42	11	41	7	7
FCSIG 6536 PS	\$905	42	11	41	7	7
FCSIG 6536 SB	\$905	42	11	41	7	7
FCSIG 6536 SS	\$770	42	11	41	7	7
FCSIG 6542 BK	\$1085	42	12	47	7	7
FCSIG 6542 ORB	\$1085	42	12	47	7	7
FCSIG 6542 PS	\$1085	42	12	47	7	7
FCSIG 6542 SB	\$1085	42	12	47	7	7
FCSIG 6542 SS	\$920	42	12	47	7	7
FCSIG 6548 BK	\$1200	42	13	53	7	7
FCSIG 6548 ORB	\$1200	42	13	53	7	7
FCSIG 6548 PS	\$1200	42	13	53	7	7
FCSIG 6548 SB	\$1200	42	13	53	7	7
FCSIG 6548 SS	\$1020	42	13	53	7	7
FCSIG 6560 BK	\$1495	42	16	65	7	7
FCSIG 6560 ORB	\$1495	42	16	65	7	7
FCSIG 6560 PS	\$1495	42	16	65	7	7
FCSIG 6560 SB	\$1495	42	16	65	7	7
FCSIG 6560 SS	\$1270	42	16	65	7	7
FCSSG 6524 BK	\$910	42	10	30	7	7
FCSSG 6524 ORB	\$910	42	10	30	7	7
FCSSG 6524 PS	\$910	42	10	30	7	7
FCSSG 6524 SB	\$910	42	10	30	7	7
FCSSG 6524 SS	\$790	42	10	30	7	7
FCSSG 6532 BK	\$1185	42	12	37	7	7
FCSSG 6532 ORB	\$1185	42	12	37	7	7
FCSSG 6532 PS	\$1185	42	12	37	7	7
FCSSG 6532 SB	\$1185	42	12	37	7	7
FCSSG 6532 SS	\$1025	42	12	37	7	7
FCSSG 6536 BK	\$1355	42	13	41	7	7
FCSSG 6536 ORB	\$1355	42	13	41	7	7
FCSSG 6536 PS	\$1355	42	13	41	7	7
FCSSG 6536 SB	\$1355	42	13	41	7	7
FCSSG 6536 SS	\$1175	42	13	41	7	7
FCSSG 6542 BK	\$1625	42	15	47	7	7
FCSSG 6542 ORB	\$1625	42	15	47	7	7
FCSSG 6542 PS	\$1625	42	15	47	7	7
FCSSG 6542 SB	\$1625	42	15	47	7	7
FCSSG 6542 SS	\$1405	42	15	47	7	7
FCSSG 6548 BK	\$1800	42	16	53	7	7
FCSSG 6548 ORB	\$1800	42	16	53	7	7
FCSSG 6548 PS	\$1800	42	16	53	7	7
FCSSG 6548 SB	\$1800	42	16	53	7	7
FCSSG 6548 SS	\$1560	42	16	53	7	7
FCSSG 6560 BK	\$2245	42	20	65	7	7
FCSSG 6560 ORB	\$2245	42	20	65	7	7
FCSSG 6560 PS	\$2245	42	20	65	7	7
FCSSG 6560 SB	\$2245	42	20	65	7	7
FCSSG 6560 SS	\$1945	42	20	65	7	7
FCSST 6524 BK	\$820	44	4	30	7	7
FCSST 6524 ORB	\$820	44	4	30	7	7
FCSST 6524 PS	\$820	44	4	30	7	7
FCSST 6524 SB	\$820	44	4	30	7	7
FCSST 6524 SS	\$770	44	4	30	7	7
FCSST 6532 BK	\$1010	44	6	37	7	7
FCSST 6532 ORB	\$1010	44	6	37	7	7
FCSST 6532 PS	\$1010	44	6	37	7	7
FCSST 6532 SB	\$1010	44	6	37	7	7
FCSST 6532 SS	\$955	44	6	37	7	7
FCSST 6536 BK	\$1130	44	7	41	7	7
FCSST 6536 ORB	\$1130	44	7	41	7	7
FCSST 6536 PS	\$1130	44	7	41	7	7
FCSST 6536 SB	\$1130	44	7	41	7	7
FCSST 6536 SS	\$1065	44	7	41	7	7

SKU	List Price	Page #	Shipping Dimensions			
			Lbs	L	W	H
FCSST 6542 BK	\$1315	44	8	47	7	7
FCSST 6542 ORB	\$1315	44	8	47	7	7
FCSST 6542 PS	\$1315	44	8	47	7	7
FCSST 6542 SB	\$1315	44	8	47	7	7
FCSST 6542 SS	\$1245	44	8	47	7	7
FCSST 6548 BK	\$1440	44	9	53	7	7
FCSST 6548 ORB	\$1440	44	9	53	7	7
FCSST 6548 PS	\$1440	44	9	53	7	7
FCSST 6548 SB	\$1440	44	9	53	7	7
FCSST 6548 SS	\$1360	44	9	53	7	7
FCSST 6560 BK	\$1750	44	10	65	7	7
FCSST 6560 ORB	\$1750	44	10	65	7	7
FCSST 6560 PS	\$1750	44	10	65	7	7
FCSST 6560 SB	\$1750	44	10	65	7	7
FCSST 6560 SS	\$1655	44	10	65	7	7
FCSTIF 6524 BK	\$690	41	8	30	7	7
FCSTIF 6524 ORB	\$690	41	8	30	7	7
FCSTIF 6524 PS	\$690	41	8	30	7	7
FCSTIF 6524 SB	\$690	41	8	30	7	7
FCSTIF 6524 SS	\$650	41	8	30	7	7
FCSTIF 6532 BK	\$895	41	10	37	7	7
FCSTIF 6532 ORB	\$895	41	10	37	7	7
FCSTIF 6532 PS	\$895	41	10	37	7	7
FCSTIF 6532 SB	\$895	41	10	37	7	7
FCSTIF 6532 SS	\$845	41	10	37	7	7
FCSTIF 6536 BK	\$1025	41	11	41	7	7
FCSTIF 6536 ORB	\$1025	41	11	41	7	7
FCSTIF 6536 PS	\$1025	41	11	41	7	7
FCSTIF 6536 SB	\$1025	41	11	41	7	7
FCSTIF 6536 SS	\$965	41	11	41	7	7
FCSTIF 6542 BK	\$1225	41	12	47	7	7
FCSTIF 6542 ORB	\$1225	41	12	47	7	7
FCSTIF 6542 PS	\$1225	41	12	47	7	7
FCSTIF 6542 SB	\$1225	41	12	47	7	7
FCSTIF 6542 SS	\$1155	41	12	47	7	7
FCSTIF 6548 BK	\$1360	41	13	53	7	7
FCSTIF 6548 ORB	\$1360	41	13	53	7	7
FCSTIF 6548 PS	\$1360	41	13	53	7	7
FCSTIF 6548 SB	\$1360	41	13	53	7	7
FCSTIF 6548 SS	\$1280	41	13	53	7	7
FCSTIF 6560 BK	\$1695	41	15	65	7	7
FCSTIF 6560 ORB	\$1695	41	15	65	7	7
FCSTIF 6560 PS	\$1695	41	15	65	7	7
FCSTIF 6560 SB	\$1695	41	15	65	7	7
FCSTIF 6560 SS	\$1595	41	15	65	7	7
FFAS 12532 BK	\$1500	39	14	37	7	7
FFAS 12532 ORB	\$1500	39	14	37	7	7
FFAS 12532 PS	\$1500	39	14	37	7	7
FFAS 12532 SB	\$1500	39	14	37	7	7
FFAS 12532 SS	\$1215	39	14	37	7	7
FFAS 12536 BK	\$1725	39	15	41	7	7
FFAS 12536 ORB	\$1725	39	15	41	7	7
FFAS 12536 PS	\$1725	39	15	41	7	7
FFAS 12536 SB	\$1725	39	15	41	7	7
FFAS 12536 SS	\$1395	39	15	41	7	7
FFAS 12542 BK	\$2070	39	18	47	7	7
FFAS 12542 ORB	\$2070	39	18	47	7	7
FFAS 12542 PS	\$2070	39	18	47	7	7
FFAS 12542 SB	\$2070	39	18	47	7	7
FFAS 12542 SS	\$1675	39	18	47	7	7
FFAS 12548 BK	\$2295	39	20	53	7	7
FFAS 12548 ORB	\$2295	39	20	53	7	7
FFAS 12548 PS	\$2295	39	20	53	7	7
FFAS 12548 SB	\$2295	39	20	53	7	7
FFAS 12548 SS	\$1855	39	20	53	7	7
FFAS 12560 BK	\$2865	39	24	65	7	7
FFAS 12560 ORB	\$2865	39	24	65	7	7
FFAS 12560 PS	\$2865	39	24	65	7	7
FFAS 12560 SB	\$2865	39	24	65	7	7
FFAS 12560 SS	\$2315	39	24	65	7	7
FFAS 2532 BK	\$1010	39	10	37	7	7
FFAS 2532 ORB	\$1010	39	10	37	7	7
FFAS 2532 PS	\$1010	39	10	37	7	7
FFAS 2532 SB	\$1010	39	10	37	7	7
FFAS 2532 SS	\$880	39	10	37	7	7
FFAS 2536 BK	\$1155	39	11	41	7	7
FFAS 2536 ORB	\$1155	39	11	41	7	7
FFAS 2536 PS	\$1155	39	11	41	7	7
FFAS 2536 SB	\$1155	39	11	41	7	7
FFAS 2536 SS	\$1005	39	11	41	7	7
FFAS 2542 BK	\$1475	39	12	47	7	7
FFAS 2542 ORB	\$1475	39	12	47	7	7
FFAS 2542 PS	\$1475	39	12	47	7	7
FFAS 2542 SB	\$1475	39	12	47	7	7
FFAS 2542 SS	\$1275	39	12	47	7	7
FFAS 2548 BK	\$1755	39	14	53	7	7
FFAS 2548 ORB	\$1755	39	14	53	7	7
FFAS 2548 PS	\$1755	39	14	53	7	7

Price Sheet & Index

SKU	List Price	Page #	Shipping Dimensions			
			Lbs	L	W	H
FFAS 2548 SB	\$1755	39	14	53	7	7
FFAS 2548 SS	\$1505	39	14	53	7	7
FFAS 2560 BK	\$2130	39	17	65	7	7
FFAS 2560 ORB	\$2130	39	17	65	7	7
FFAS 2560 PS	\$2130	39	17	65	7	7
FFAS 2560 SB	\$2130	39	17	65	7	7
FFAS 2560 SS	\$1830	39	17	65	7	7
FFAS 6524 BK	\$850	37	9	30	7	7
FFAS 6524 ORB	\$850	37	9	30	7	7
FFAS 6524 PS	\$850	37	9	30	7	7
FFAS 6524 SB	\$850	37	9	30	7	7
FFAS 6524 SS	\$750	37	9	30	7	7
FFAS 6532 BK	\$1105	37	10	37	7	7
FFAS 6532 ORB	\$1105	37	10	37	7	7
FFAS 6532 PS	\$1105	37	10	37	7	7
FFAS 6532 SB	\$1105	37	10	37	7	7
FFAS 6532 SS	\$975	37	10	37	7	7
FFAS 6536 BK	\$1265	37	11	41	7	7
FFAS 6536 ORB	\$1265	37	11	41	7	7
FFAS 6536 PS	\$1265	37	11	41	7	7
FFAS 6536 SB	\$1265	37	11	41	7	7
FFAS 6536 SS	\$1115	37	11	41	7	7
FFAS 6542 BK	\$1520	37	13	47	7	7
FFAS 6542 ORB	\$1520	37	13	47	7	7
FFAS 6542 PS	\$1520	37	13	47	7	7
FFAS 6542 SB	\$1520	37	13	47	7	7
FFAS 6542 SS	\$1340	37	13	47	7	7
FFAS 6548 BK	\$1680	37	14	53	7	7
FFAS 6548 ORB	\$1680	37	14	53	7	7
FFAS 6548 PS	\$1680	37	14	53	7	7
FFAS 6548 SB	\$1680	37	14	53	7	7
FFAS 6548 SS	\$1480	37	14	53	7	7
FFAS 6560 BK	\$2095	37	17	65	7	7
FFAS 6560 ORB	\$2095	37	17	65	7	7
FFAS 6560 PS	\$2095	37	17	65	7	7
FFAS 6560 SB	\$2095	37	17	65	7	7
FFAS 6560 SS	\$1845	37	17	65	7	7
FFIG 6524 BK	\$480	38	8	30	7	7
FFIG 6524 ORB	\$480	38	8	30	7	7
FFIG 6524 PS	\$480	38	8	30	7	7
FFIG 6524 SB	\$480	38	8	30	7	7
FFIG 6524 SS	\$390	38	8	30	7	7
FFIG 6532 BK	\$625	38	10	37	7	7
FFIG 6532 ORB	\$625	38	10	37	7	7
FFIG 6532 PS	\$625	38	10	37	7	7
FFIG 6532 SB	\$625	38	10	37	7	7
FFIG 6532 SS	\$505	38	10	37	7	7
FFIG 6536 BK	\$710	38	11	41	7	7
FFIG 6536 ORB	\$710	38	11	41	7	7
FFIG 6536 PS	\$710	38	11	41	7	7
FFIG 6536 SB	\$710	38	11	41	7	7
FFIG 6536 SS	\$575	38	11	41	7	7
FFIG 6542 BK	\$855	38	12	47	7	7
FFIG 6542 ORB	\$855	38	12	47	7	7
FFIG 6542 PS	\$855	38	12	47	7	7
FFIG 6542 SB	\$855	38	12	47	7	7
FFIG 6542 SS	\$690	38	12	47	7	7
FFIG 6548 BK	\$940	38	13	53	7	7
FFIG 6548 ORB	\$940	38	13	53	7	7
FFIG 6548 PS	\$940	38	13	53	7	7
FFIG 6548 SB	\$940	38	13	53	7	7
FFIG 6548 SS	\$760	38	13	53	7	7
FFIG 6560 BK	\$1170	38	15	65	7	7
FFIG 6560 ORB	\$1170	38	15	65	7	7
FFIG 6560 PS	\$1170	38	15	65	7	7
FFIG 6560 SB	\$1170	38	15	65	7	7
FFIG 6560 SS	\$945	38	15	65	7	7
FFSG 6524 BK	\$780	38	10	30	7	7
FFSG 6524 ORB	\$780	38	10	30	7	7
FFSG 6524 PS	\$780	38	10	30	7	7
FFSG 6524 SB	\$780	38	10	30	7	7
FFSG 6524 SS	\$660	38	10	30	7	7
FFSG 6532 BK	\$1015	38	11	37	7	7
FFSG 6532 ORB	\$1015	38	11	37	7	7
FFSG 6532 PS	\$1015	38	11	37	7	7
FFSG 6532 SB	\$1015	38	11	37	7	7
FFSG 6532 SS	\$855	38	11	37	7	7
FFSG 6536 BK	\$1160	38	13	41	7	7
FFSG 6536 ORB	\$1160	38	13	41	7	7
FFSG 6536 PS	\$1160	38	13	41	7	7
FFSG 6536 SB	\$1160	38	13	41	7	7
FFSG 6536 SS	\$980	38	13	41	7	7
FFSG 6542 BK	\$1395	38	14	47	7	7
FFSG 6542 ORB	\$1395	38	14	47	7	7
FFSG 6542 PS	\$1395	38	14	47	7	7
FFSG 6542 SB	\$1395	38	14	47	7	7
FFSG 6542 SS	\$1175	38	14	47	7	7
FFSG 6548 BK	\$1540	38	16	53	7	7

SKU	List Price	Page #	Shipping Dimensions			
			Lbs	L	W	H
FFSG 6548 ORB	\$1540	38	16	53	7	7
FFSG 6548 PS	\$1540	38	16	53	7	7
FFSG 6548 SB	\$1540	38	16	53	7	7
FFSG 6548 SS	\$1300	38	16	53	7	7
FFSG 6560 BK	\$1920	38	19	65	7	7
FFSG 6560 ORB	\$1920	38	19	65	7	7
FFSG 6560 PS	\$1920	38	19	65	7	7
FFSG 6560 SB	\$1920	38	19	65	7	7
FFSG 6560 SS	\$1620	38	19	65	7	7
FFST 24 BK	\$690	40	9	30	7	7
FFST 24 ORB	\$690	40	9	30	7	7
FFST 24 PS	\$690	40	9	30	7	7
FFST 24 SB	\$690	40	9	30	7	7
FFST 24 SS	\$640	40	9	30	7	7
FFST 32 BK	\$840	40	9	37	7	7
FFST 32 ORB	\$840	40	9	37	7	7
FFST 32 PS	\$840	40	9	37	7	7
FFST 32 SB	\$840	40	9	37	7	7
FFST 32 SS	\$785	40	9	37	7	7
FFST 36 BK	\$935	40	11	41	7	7
FFST 36 ORB	\$935	40	11	41	7	7
FFST 36 PS	\$935	40	11	41	7	7
FFST 36 SB	\$935	40	11	41	7	7
FFST 36 SS	\$870	40	11	41	7	7
FFST 42 BK	\$1085	40	11	47	7	7
FFST 42 ORB	\$1085	40	11	47	7	7
FFST 42 PS	\$1085	40	11	47	7	7
FFST 42 SB	\$1085	40	11	47	7	7
FFST 42 SS	\$1015	40	11	47	7	7
FFST 48 BK	\$1180	40	14	53	7	7
FFST 48 ORB	\$1180	40	14	53	7	7
FFST 48 PS	\$1180	40	14	53	7	7
FFST 48 SB	\$1180	40	14	53	7	7
FFST 48 SS	\$1100	40	14	53	7	7
FFST 60 BK	\$1425	40	16	65	7	7
FFST 60 ORB	\$1425	40	16	65	7	7
FFST 60 PS	\$1425	40	16	65	7	7
FFST 60 SB	\$1425	40	16	65	7	7
FFST 60 SS	\$1330	40	16	65	7	7
FFTIF 6524 BK	\$560	37	8	30	7	7
FFTIF 6524 ORB	\$560	37	8	30	7	7
FFTIF 6524 PS	\$560	37	8	30	7	7
FFTIF 6524 SB	\$560	37	8	30	7	7
FFTIF 6524 SS	\$520	37	8	30	7	7
FFTIF 6532 BK	\$725	37	9	37	7	7
FFTIF 6532 ORB	\$725	37	9	37	7	7
FFTIF 6532 PS	\$725	37	9	37	7	7
FFTIF 6532 SB	\$725	37	9	37	7	7
FFTIF 6532 SS	\$675	37	9	37	7	7
FFTIF 6536 BK	\$830	37	10	41	7	7
FFTIF 6536 ORB	\$830	37	10	41	7	7
FFTIF 6536 PS	\$830	37	10	41	7	7
FFTIF 6536 SB	\$830	37	10	41	7	7
FFTIF 6536 SS	\$770	37	10	41	7	7
FFTIF 6542 BK	\$995	37	11	47	7	7
FFTIF 6542 ORB	\$995	37	11	47	7	7
FFTIF 6542 PS	\$995	37	11	47	7	7
FFTIF 6542 SB	\$995	37	11	47	7	7
FFTIF 6542 SS	\$925	37	11	47	7	7
FFTIF 6548 BK	\$1100	37	12	53	7	7
FFTIF 6548 ORB	\$1100	37	12	53	7	7
FFTIF 6548 PS	\$1100	37	12	53	7	7
FFTIF 6548 SB	\$1100	37	12	53	7	7
FFTIF 6548 SS	\$1020	37	12	53	7	7
FFTIF 6560 BK	\$1370	37	15	65	7	7
FFTIF 6560 ORB	\$1370	37	15	65	7	7
FFTIF 6560 PS	\$1370	37	15	65	7	7
FFTIF 6560 SB	\$1370	37	15	65	7	7
FFTIF 6560 SS	\$1270	37	15	65	7	7
FL 52-BK	\$345	146	4	7	7	4
FL 52-ORB	\$425	146	4	7	7	4
FL 52-PS	\$425	146	4	7	7	4
FL 52-SB	\$425	146	4	7	7	4
FL 52-SS	\$425	146	4	7	7	4
FTAS 6524 BK	\$845	49	9	30	7	7
FTAS 6524 ORB	\$845	49	9	30	7	7
FTAS 6524 PS	\$845	49	9	30	7	7
FTAS 6524 SB	\$845	49	9	30	7	7
FTAS 6524 SS	\$745	49	9	30	7	7
FTAS 6532 BK	\$1100	49	10	37	7	7
FTAS 6532 ORB	\$1100	49	10	37	7	7
FTAS 6532 PS	\$1100	49	10	37	7	7
FTAS 6532 SB	\$1100	49	10	37	7	7
FTAS 6532 SS	\$970	49	10	37	7	7
FTAS 6536 BK	\$1260	49	11	41	7	7
FTAS 6536 ORB	\$1260	49	11	41	7	7
FTAS 6536 PS	\$1260	49	11	41	7	7
FTAS 6536 SB	\$1260	49	11	41	7	7

Price Sheet & Index

SKU	List Price	Page	Shipping Dimensions			
			#	Lbs	L	W
FTAS 6536 SS	\$1110	49	11	41	7	7
FTAS 6542 BK	\$1515	49	12	47	7	7
FTAS 6542 ORB	\$1515	49	12	47	7	7
FTAS 6542 PS	\$1515	49	12	47	7	7
FTAS 6542 SB	\$1515	49	12	47	7	7
FTAS 6542 SS	\$1335	49	12	47	7	7
FTAS 6548 BK	\$1675	49	13	53	7	7
FTAS 6548 ORB	\$1675	49	13	53	7	7
FTAS 6548 PS	\$1675	49	13	53	7	7
FTAS 6548 SB	\$1675	49	13	53	7	7
FTAS 6548 SS	\$1475	49	13	53	7	7
FTAS 6560 BK	\$2090	49	16	65	7	7
FTAS 6560 ORB	\$2090	49	16	65	7	7
FTAS 6560 PS	\$2090	49	16	65	7	7
FTAS 6560 SB	\$2090	49	16	65	7	7
FTAS 6560 SS	\$1840	49	16	65	7	7
FTIG 6524 BK	\$475	50	8	30	7	7
FTIG 6524 ORB	\$475	50	8	30	7	7
FTIG 6524 PS	\$475	50	8	30	7	7
FTIG 6524 SB	\$475	50	8	30	7	7
FTIG 6524 SS	\$385	50	8	30	7	7
FTIG 6532 BK	\$620	50	9	37	7	7
FTIG 6532 ORB	\$620	50	9	37	7	7
FTIG 6532 PS	\$620	50	9	37	7	7
FTIG 6532 SB	\$620	50	9	37	7	7
FTIG 6532 SS	\$500	50	9	37	7	7
FTIG 6536 BK	\$705	50	10	41	7	7
FTIG 6536 ORB	\$705	50	10	41	7	7
FTIG 6536 PS	\$705	50	10	41	7	7
FTIG 6536 SB	\$705	50	10	41	7	7
FTIG 6536 SS	\$570	50	10	41	7	7
FTIG 6542 BK	\$850	50	11	47	7	7
FTIG 6542 ORB	\$850	50	11	47	7	7
FTIG 6542 PS	\$850	50	11	47	7	7
FTIG 6542 SB	\$850	50	11	47	7	7
FTIG 6542 SS	\$685	50	11	47	7	7
FTIG 6548 BK	\$935	50	12	53	7	7
FTIG 6548 ORB	\$935	50	12	53	7	7
FTIG 6548 PS	\$935	50	12	53	7	7
FTIG 6548 SB	\$935	50	12	53	7	7
FTIG 6548 SS	\$755	50	12	53	7	7
FTIG 6560 BK	\$1165	50	14	65	7	7
FTIG 6560 ORB	\$1165	50	14	65	7	7
FTIG 6560 PS	\$1165	50	14	65	7	7
FTIG 6560 SB	\$1165	50	14	65	7	7
FTIG 6560 SS	\$940	50	14	65	7	7
FTSG 6524 BK	\$775	50	9	30	7	7
FTSG 6524 ORB	\$775	50	9	30	7	7
FTSG 6524 PS	\$775	50	9	30	7	7
FTSG 6524 SB	\$775	50	9	30	7	7
FTSG 6524 SS	\$655	50	9	30	7	7
FTSG 6532 BK	\$1010	50	11	37	7	7
FTSG 6532 ORB	\$1010	50	11	37	7	7
FTSG 6532 PS	\$1010	50	11	37	7	7
FTSG 6532 SB	\$1010	50	11	37	7	7
FTSG 6532 SS	\$850	50	11	37	7	7
FTSG 6536 BK	\$1155	50	12	41	7	7
FTSG 6536 ORB	\$1155	50	12	41	7	7
FTSG 6536 PS	\$1155	50	12	41	7	7
FTSG 6536 SB	\$1155	50	12	41	7	7
FTSG 6536 SS	\$975	50	12	41	7	7
FTSG 6542 BK	\$1390	50	13	47	7	7
FTSG 6542 ORB	\$1390	50	13	47	7	7
FTSG 6542 PS	\$1390	50	13	47	7	7
FTSG 6542 SB	\$1390	50	13	47	7	7
FTSG 6542 SS	\$1170	50	13	47	7	7
FTSG 6548 BK	\$1535	50	15	53	7	7
FTSG 6548 ORB	\$1535	50	15	53	7	7
FTSG 6548 PS	\$1535	50	15	53	7	7
FTSG 6548 SB	\$1535	50	15	53	7	7
FTSG 6548 SS	\$1295	50	15	53	7	7
FTSG 6560 BK	\$1915	50	18	65	7	7
FTSG 6560 ORB	\$1915	50	18	65	7	7
FTSG 6560 PS	\$1915	50	18	65	7	7
FTSG 6560 SB	\$1915	50	18	65	7	7
FTSG 6560 SS	\$1615	50	18	65	7	7
FTTIF 6524 BK	\$555	49	6	30	7	7
FTTIF 6524 ORB	\$555	49	6	30	7	7
FTTIF 6524 PS	\$555	49	6	30	7	7
FTTIF 6524 SB	\$555	49	6	30	7	7
FTTIF 6524 SS	\$515	49	6	30	7	7
FTTIF 6532 BK	\$720	49	9	37	7	7
FTTIF 6532 ORB	\$720	49	9	37	7	7
FTTIF 6532 PS	\$720	49	9	37	7	7
FTTIF 6532 SB	\$720	49	9	37	7	7
FTTIF 6532 SS	\$670	49	9	37	7	7
FTTIF 6536 BK	\$825	49	9	41	7	7
FTTIF 6536 ORB	\$825	49	9	41	7	7

SKU	List Price	Page	Shipping Dimensions			
			#	Lbs	L	W
FTTIF 6536 PS	\$825	49	9	41	7	7
FTTIF 6536 SB	\$825	49	9	41	7	7
FTTIF 6536 SS	\$765	49	9	41	7	7
FTTIF 6542 BK	\$990	49	9	47	7	7
FTTIF 6542 ORB	\$990	49	9	47	7	7
FTTIF 6542 PS	\$990	49	9	47	7	7
FTTIF 6542 SB	\$990	49	9	47	7	7
FTTIF 6542 SS	\$920	49	9	47	7	7
FTTIF 6548 BK	\$1095	49	12	53	7	7
FTTIF 6548 ORB	\$1095	49	12	53	7	7
FTTIF 6548 PS	\$1095	49	12	53	7	7
FTTIF 6548 SB	\$1095	49	12	53	7	7
FTTIF 6548 SS	\$1015	49	12	53	7	7
FTTIF 6560 BK	\$1365	49	14	65	7	7
FTTIF 6560 ORB	\$1365	49	14	65	7	7
FTTIF 6560 PS	\$1365	49	14	65	7	7
FTTIF 6560 SB	\$1365	49	14	65	7	7
FTTIF 6560 SS	\$1265	49	14	65	7	7
FXAS 12532-A BK	\$1825	36	13	37	7	7
FXAS 12532-A ORB	\$1825	36	13	37	7	7
FXAS 12532-A PS	\$1825	36	13	37	7	7
FXAS 12532-A SB	\$1825	36	13	37	7	7
FXAS 12532-A SS	\$1500	36	13	37	7	7
FXAS 12532-I BK	\$1825	36	13	37	7	7
FXAS 12532-I ORB	\$1825	36	13	37	7	7
FXAS 12532-I PS	\$1825	36	13	37	7	7
FXAS 12532-I SB	\$1825	36	13	37	7	7
FXAS 12532-I SS	\$1500	36	13	37	7	7
FXAS 12532-P BK	\$1825	36	13	37	7	7
FXAS 12532-P ORB	\$1825	36	13	37	7	7
FXAS 12532-P PS	\$1825	36	13	37	7	7
FXAS 12532-P SB	\$1825	36	13	37	7	7
FXAS 12532-P SS	\$1500	36	13	37	7	7
FXAS 12536-A BK	\$2055	36	14	41	7	7
FXAS 12536-A ORB	\$2055	36	14	41	7	7
FXAS 12536-A PS	\$2055	36	14	41	7	7
FXAS 12536-A SB	\$2055	36	14	41	7	7
FXAS 12536-A SS	\$1680	36	14	41	7	7
FXAS 12536-I BK	\$2055	36	14	41	7	7
FXAS 12536-I ORB	\$2055	36	14	41	7	7
FXAS 12536-I PS	\$2055	36	14	41	7	7
FXAS 12536-I SB	\$2055	36	14	41	7	7
FXAS 12536-I SS	\$1680	36	14	41	7	7
FXAS 12536-P BK	\$2055	36	14	41	7	7
FXAS 12536-P ORB	\$2055	36	14	41	7	7
FXAS 12536-P PS	\$2055	36	14	41	7	7
FXAS 12536-P SB	\$2055	36	14	41	7	7
FXAS 12536-P SS	\$1680	36	14	41	7	7
FXAS 12542-A BK	\$2405	36	17	47	7	7
FXAS 12542-A ORB	\$2405	36	17	47	7	7
FXAS 12542-A PS	\$2405	36	17	47	7	7
FXAS 12542-A SB	\$2405	36	17	47	7	7
FXAS 12542-A SS	\$1960	36	17	47	7	7
FXAS 12542-I BK	\$2405	36	17	47	7	7
FXAS 12542-I ORB	\$2405	36	17	47	7	7
FXAS 12542-I PS	\$2405	36	17	47	7	7
FXAS 12542-I SB	\$2405	36	17	47	7	7
FXAS 12542-I SS	\$1960	36	17	47	7	7
FXAS 12542-P BK	\$2405	36	17	47	7	7
FXAS 12542-P ORB	\$2405	36	17	47	7	7
FXAS 12542-P PS	\$2405	36	17	47	7	7
FXAS 12542-P SB	\$2405	36	17	47	7	7
FXAS 12542-P SS	\$1960	36	17	47	7	7
FXAS 12548-A BK	\$2640	36	18	53	7	7
FXAS 12548-A ORB	\$2640	36	18	53	7	7
FXAS 12548-A PS	\$2640	36	18	53	7	7
FXAS 12548-A SB	\$2640	36	18	53	7	7
FXAS 12548-A SS	\$2140	36	18	53	7	7
FXAS 12548-I BK	\$2640	36	18	53	7	7
FXAS 12548-I ORB	\$2640	36	18	53	7	7
FXAS 12548-I PS	\$2640	36	18	53	7	7
FXAS 12548-I SB	\$2640	36	18	53	7	7
FXAS 12548-I SS	\$2140	36	18	53	7	7
FXAS 12548-P BK	\$2640	36	18	53	7	7
FXAS 12548-P ORB	\$2640	36	18	53	7	7
FXAS 12548-P PS	\$2640	36	18	53	7	7
FXAS 12548-P SB	\$2640	36	18	53	7	7
FXAS 12548-P SS	\$2140	36	18	53	7	7
FXAS 12560-A BK	\$3225	36	22	65	7	7
FXAS 12560-A ORB	\$3225	36	22	65	7	7
FXAS 12560-A PS	\$3225	36	22	65	7	7
FXAS 12560-A SB	\$3225	36	22	65	7	7
FXAS 12560-A SS	\$2600	36	22	65	7	7
FXAS 12560-I BK	\$3225	36	22	65	7	7
FXAS 12560-I ORB	\$3225	36	22	65	7	7
FXAS 12560-I PS	\$3225	36	22	65	7	7
FXAS 12560-I SB	\$3225	36	22	65	7	7
FXAS 12560-I SS	\$2600	36	22	65	7	7

Price Sheet & Index

SKU	List Price	Page #	Shipping Dimensions			
			Lbs	L	W	H
FXAS 12560-P BK	\$3225	36	22	65	7	7
FXAS 12560-P ORB	\$3225	36	22	65	7	7
FXAS 12560-P PS	\$3225	36	22	65	7	7
FXAS 12560-P SB	\$3225	36	22	65	7	7
FXAS 12560-P SS	\$2600	36	22	65	7	7
FXAS 6524 BK	\$875	35	6	30	7	7
FXAS 6524 ORB	\$875	35	6	30	7	7
FXAS 6524 PS	\$875	35	6	30	7	7
FXAS 6524 SB	\$875	35	6	30	7	7
FXAS 6524 SS	\$745	35	6	30	7	7
FXAS 6532 BK	\$1125	35	9	37	7	7
FXAS 6532 ORB	\$1125	35	9	37	7	7
FXAS 6532 PS	\$1125	35	9	37	7	7
FXAS 6532 SB	\$1125	35	9	37	7	7
FXAS 6532 SS	\$955	35	9	37	7	7
FXAS 6536 BK	\$1280	35	9	41	7	7
FXAS 6536 ORB	\$1280	35	9	41	7	7
FXAS 6536 PS	\$1280	35	9	41	7	7
FXAS 6536 SB	\$1280	35	9	41	7	7
FXAS 6536 SS	\$1085	35	9	41	7	7
FXAS 6542 BK	\$1530	35	11	47	7	7
FXAS 6542 ORB	\$1530	35	11	47	7	7
FXAS 6542 PS	\$1530	35	11	47	7	7
FXAS 6542 SB	\$1530	35	11	47	7	7
FXAS 6542 SS	\$1295	35	11	47	7	7
FXAS 6548 BK	\$1685	35	12	53	7	7
FXAS 6548 ORB	\$1685	35	12	53	7	7
FXAS 6548 PS	\$1685	35	12	53	7	7
FXAS 6548 SB	\$1685	35	12	53	7	7
FXAS 6548 SS	\$1425	35	12	53	7	7
FXAS 6560 BK	\$2090	35	14	65	7	7
FXAS 6560 ORB	\$2090	35	14	65	7	7
FXAS 6560 PS	\$2090	35	14	65	7	7
FXAS 6560 SB	\$2090	35	14	65	7	7
FXAS 6560 SS	\$1765	35	14	65	7	7
FXIG 6524 BK	\$505	34	6	30	7	7
FXIG 6524 ORB	\$505	34	6	30	7	7
FXIG 6524 PS	\$505	34	6	30	7	7
FXIG 6524 SB	\$505	34	6	30	7	7
FXIG 6524 SS	\$385	34	6	30	7	7
FXIG 6532 BK	\$645	34	8	37	7	7
FXIG 6532 ORB	\$645	34	8	37	7	7
FXIG 6532 PS	\$645	34	8	37	7	7
FXIG 6532 SB	\$645	34	8	37	7	7
FXIG 6532 SS	\$485	34	7	37	7	7
FXIG 6536 BK	\$725	34	8	41	7	7
FXIG 6536 ORB	\$725	34	8	41	7	7
FXIG 6536 PS	\$725	34	8	41	7	7
FXIG 6536 SB	\$725	34	8	41	7	7
FXIG 6536 SS	\$545	34	8	41	7	7
FXIG 6542 BK	\$865	34	10	47	7	7
FXIG 6542 ORB	\$865	34	10	47	7	7
FXIG 6542 PS	\$865	34	10	47	7	7
FXIG 6542 SB	\$865	34	10	47	7	7
FXIG 6542 SS	\$645	34	10	47	7	7
FXIG 6548 BK	\$945	34	10	53	7	7
FXIG 6548 ORB	\$945	34	10	53	7	7
FXIG 6548 PS	\$945	34	10	53	7	7
FXIG 6548 SB	\$945	34	10	53	7	7
FXIG 6548 SS	\$705	34	10	53	7	7
FXIG 6560 BK	\$1165	34	12	65	7	7
FXIG 6560 ORB	\$1165	34	12	65	7	7
FXIG 6560 PS	\$1165	34	12	65	7	7
FXIG 6560 SB	\$1165	34	12	65	7	7
FXIG 6560 SS	\$865	34	12	65	7	7
FXTIF 6524 BK	\$585	33	6	30	7	7
FXTIF 6524 ORB	\$585	33	6	30	7	7
FXTIF 6524 PS	\$585	33	6	30	7	7
FXTIF 6524 SB	\$585	33	6	30	7	7
FXTIF 6524 SS	\$515	33	6	30	7	7
FXTIF 6532 BK	\$745	33	8	37	7	7
FXTIF 6532 ORB	\$745	33	8	37	7	7
FXTIF 6532 PS	\$745	33	8	37	7	7
FXTIF 6532 SB	\$745	33	8	37	7	7
FXTIF 6532 SS	\$655	33	8	37	7	7
FXTIF 6536 BK	\$845	33	9	41	7	7
FXTIF 6536 ORB	\$845	33	9	41	7	7
FXTIF 6536 PS	\$845	33	9	41	7	7
FXTIF 6536 SB	\$845	33	9	41	7	7
FXTIF 6536 SS	\$740	33	9	41	7	7
FXTIF 6542 BK	\$1005	33	10	47	7	7
FXTIF 6542 ORB	\$1005	33	10	47	7	7
FXTIF 6542 PS	\$1005	33	10	47	7	7
FXTIF 6542 SB	\$1005	33	10	47	7	7
FXTIF 6542 SS	\$880	33	10	47	7	7
FXTIF 6548 BK	\$1105	33	11	53	7	7
FXTIF 6548 ORB	\$1105	33	11	53	7	7
FXTIF 6548 PS	\$1105	33	11	53	7	7

SKU	List Price	Page #	Shipping Dimensions			
			Lbs	L	W	H
FXTIF 6548 SB	\$1105	33	11	53	7	7
FXTIF 6548 SS	\$965	33	11	53	7	7
FXTIF 6560 BK	\$1365	33	13	64	7	7
FXTIF 6560 ORB	\$1365	33	13	64	7	7
FXTIF 6560 PS	\$1365	33	13	64	7	7
FXTIF 6560 SB	\$1365	33	13	64	7	7
FXTIF 6560 SS	\$1190	33	13	64	7	7
FXSG 6524 BK	\$805	34	6	30	7	7
FXSG 6524 ORB	\$805	34	6	30	7	7
FXSG 6524 PS	\$805	34	7	30	7	7
FXSG 6524 SB	\$805	34	7	30	7	7
FXSG 6524 SS	\$655	34	7	30	7	7
FXSG 6532 BK	\$1035	34	9	37	7	7
FXSG 6532 ORB	\$1035	34	9	37	7	7
FXSG 6532 PS	\$1035	34	9	37	7	7
FXSG 6532 SB	\$1035	34	9	37	7	7
FXSG 6532 SS	\$835	34	9	37	7	7
FXSG 6536 BK	\$1175	34	10	41	7	7
FXSG 6536 ORB	\$1175	34	10	41	7	7
FXSG 6536 PS	\$1175	34	10	41	7	7
FXSG 6536 SB	\$1175	34	10	41	7	7
FXSG 6536 SS	\$950	34	10	41	7	7
FXSG 6542 BK	\$1405	34	11	47	7	7
FXSG 6542 ORB	\$1405	34	11	47	7	7
FXSG 6542 PS	\$1405	34	11	47	7	7
FXSG 6542 SB	\$1405	34	11	47	7	7
FXSG 6542 SS	\$1130	34	11	47	7	7
FXSG 6548 BK	\$1545	34	12	53	7	7
FXSG 6548 ORB	\$1545	34	12	53	7	7
FXSG 6548 PS	\$1545	34	12	53	7	7
FXSG 6548 SB	\$1545	34	12	53	7	7
FXSG 6548 SS	\$1245	34	12	53	7	7
FXSG 6560 BK	\$1915	34	14	65	7	7
FXSG 6560 ORB	\$1915	34	14	65	7	7
FXSG 6560 PS	\$1915	34	14	65	7	7
FXSG 6560 SB	\$1915	34	14	65	7	7
FXSG 6560 SS	\$1540	34	14	65	7	7
FXTIF 6520 BK	\$665	33	7	30	7	7
FXTIF 6520 ORB	\$665	33	7	30	7	7
FXTIF 6520 PS	\$665	33	7	30	7	7
FXTIF 6520 SB	\$665	33	7	30	7	7
FXTIF 6520 SS	\$605	33	7	30	7	7
FXTIF 6540 BK	\$1060	33	12	47	7	7
FXTIF 6540 ORB	\$1060	33	12	47	7	7
FXTIF 6540 PS	\$1060	33	12	47	7	7
FXTIF 6540 SB	\$1060	33	12	47	7	7
FXTIF 6540 SS	\$960	33	12	47	7	7
FXTIF 6548 BK	\$1255	33	14	53	7	7
FXTIF 6548 ORB	\$1255	33	14	53	7	7
FXTIF 6548 PS	\$1255	33	14	53	7	7
FXTIF 6548 SB	\$1255	33	14	53	7	7
FXTIF 6548 SS	\$1135	33	14	53	7	7
FXTIF 6560 BK	\$1540	33	16	65	7	7
FXTIF 6560 ORB	\$1540	33	16	65	7	7
FXTIF 6560 PS	\$1540	33	16	65	7	7
FXTIF 6560 SB	\$1540	33	16	65	7	7
FXTIF 6560 SS	\$1390	33	16	65	7	7
G 100108	\$180	135	8	112	7	7
G 10048	\$80	135	4	53	7	7
G 10096	\$160	135	8	102	7	7
G 38108	\$215	127	6	112	7	7
G 3836	\$70	127	3	41	7	7
G 3848	\$95	127	4	53	7	7
G 3860	\$115	127	4	65	7	7
G 3872	\$140	127	5	78	7	7
G 3896	\$190	127	6	102	7	7
G 65108	\$215	131	7	112	7	7
G 6536	\$70	131	3	41	7	7
G 6540	\$76	131	3	47	7	7
G 6548	\$95	131	4	53	7	7
G 6560	\$115	131	4	65	7	7
G 6572	\$140	131	5	78	7	7
G 6580	\$157	131	5	86	7	7
G 6596	\$190	131	6	102	7	7
GA 100	\$25	135	1	6	6	2
GAM 38	\$25	127	1	4	4	4
GAM 65	\$25	131	1	4	4	4
GFAS 38	\$75	127	2	6	6	2
GFAS 65	\$75	131	2	6	6	2
GI 100	\$10	135	1	4	4	4
GJC 38	\$15	127	1	4	4	4
GJC 65	\$15	131	1	4	4	4
GJS 65	\$25	137	1	4	4	4
GL 38108	\$215	129	6	112	7	7
GL 3836	\$70	129	3	41	7	7
GL 3848	\$95	129	4	53	7	7
GL 3860	\$115	129	4	65	7	7
GL 3872	\$140	129	5	78	7	7

Price Sheet & Index

SKU	List Price	Page #	Shipping Dimensions			
			Lbs	L	W	H
GL 3896	\$190	129	6	102	7	7
GL 65108	\$215	133	7	112	7	7
GL 6536	\$70	133	3	41	7	7
GL 6548	\$95	133	4	53	7	7
GL 6560	\$115	133	4	65	7	7
GL 6572	\$140	133	5	78	7	7
GL 6596	\$190	133	6	102	7	7
HB 32	\$5	158	1	4	4	4
HB 32B	\$5	158	1	4	4	4
HB 65	\$5	158	1	4	4	4
HB 65B	\$5	158	1	4	4	4
HC 6532 BK	\$325	138	7	37	7	7
HC 6532 ORB	\$325	138	7	37	7	7
HC 6532 PS	\$325	138	7	37	7	7
HC 6532 SB	\$325	138	7	37	7	7
HC 6532 SS	\$290	138	7	37	7	7
HC 6540 BK	\$415	138	7	47	7	7
HC 6540 ORB	\$415	138	7	47	7	7
HC 6540 PS	\$415	138	7	47	7	7
HC 6540 SB	\$415	138	7	47	7	7
HC 6540 SS	\$365	138	7	47	7	7
HC 6552 BK	\$540	138	8	65	7	7
HC 6552 ORB	\$540	138	8	65	7	7
HC 6552 PS	\$540	138	8	65	7	7
HC 6552 SB	\$540	138	8	65	7	7
HC 6552 SS	\$475	138	8	65	7	7
HC 6572 BK	\$750	138	11	78	7	7
HC 6572 ORB	\$750	138	11	78	7	7
HC 6572 PS	\$750	138	11	78	7	7
HC 6572 SB	\$750	138	11	78	7	7
HC 6572 SS	\$660	138	11	78	7	7
HC 6588 BK	\$915	138	13	96	7	7
HC 6588 ORB	\$915	138	13	96	7	7
HC 6588 PS	\$915	138	13	96	7	7
HC 6588 SB	\$915	138	13	96	7	7
HC 6588 SS	\$805	138	13	96	7	7
HF 65 BK	\$105	138	1	7	7	4
HF 65 ORB	\$105	138	1	7	7	4
HF 65 PS	\$105	138	1	7	7	4
HF 65 SB	\$105	138	1	7	7	4
HF 65 SS	\$95	138	1	7	7	4
HF 99 BK	\$400	138	2	7	7	4
HF 99 ORB	\$400	138	2	7	7	4
HF 99 PS	\$400	138	2	7	7	4
HF 99 SB	\$400	138	2	7	7	4
HF 99 SS	\$390	138	2	7	7	4
HMK-38-2A	\$25	159	1	6	6	2
HMK-38-2D	\$25	159	1	6	6	2
HMK-38-A	\$20	159	1	6	6	2
HMK-38-D	\$20	159	1	6	6	2
HMK-65-2A	\$25	160	1	6	6	2
HMK-65-2D	\$25	160	1	6	6	2
HMK-65-A	\$20	160	1	6	6	2
HMK-65B-2A	\$25	160	1	6	6	2
HMK-65B-A	\$20	160	1	6	6	2
HMK-65-D	\$20	160	1	6	6	2
HMK-A	\$15	159	1	6	6	2
HMK-A4	\$20	159	1	6	6	2
HMK-C2B-D	\$20	160	1	6	6	2
HMK-C2B-W	\$20	160	1	6	6	2
HMK-C2-D	\$20	160	1	6	6	2
HMK-C2-W	\$20	160	1	6	6	2
HMK-C4B-D	\$20	160	1	6	6	2
HMK-C4B-W	\$20	160	1	6	6	2
HMK-C4-D	\$20	160	1	6	6	2
HMK-C4-W	\$20	160	1	6	6	2
HMK-S	\$20	159	1	6	6	2
HMK-T	\$20	159	1	6	6	2
HMK-U	\$20	159	1	6	6	2
HS 2	\$5	158	1	4	4	4
HS 4	\$5	158	1	4	4	4
IC 6520 BK	\$90	143	4	30	7	7
IC 6520 ORB	\$90	143	4	30	7	7
IC 6520 PS	\$90	143	4	30	7	7
IC 6520 SB	\$90	143	4	30	7	7
IC 6520 SS	\$80	143	4	30	7	7
IC 6540 BK	\$185	143	9	47	7	7
IC 6540 ORB	\$185	143	9	47	7	7
IC 6540 PS	\$185	143	9	47	7	7
IC 6540 SB	\$185	143	9	47	7	7
IC 6540 SS	\$165	143	9	47	7	7
IC 6548 BK	\$220	143	10	53	7	7
IC 6548 ORB	\$220	143	10	53	7	7
IC 6548 PS	\$220	143	10	53	7	7
IC 6548 SB	\$220	143	10	53	7	7
IC 6548 SS	\$200	143	10	53	7	7
IC 6560 BK	\$275	143	11	65	7	7
IC 6560 ORB	\$275	143	11	65	7	7

SKU	List Price	Page #	Shipping Dimensions			
			Lbs	L	W	H
IC 6560 PS	\$275	143	11	65	7	7
IC 6560 SB	\$275	143	11	65	7	7
IC 6560 SS	\$250	143	11	65	7	7
K 4 BK	\$430	69	2	6	6	3
K 4 ORB	\$430	69	2	6	6	3
K 4 PS	\$430	69	2	6	6	3
K 4 SB	\$430	69	2	6	6	3
K 4 SS	\$330	69	2	6	6	3
K 5 BK	\$510	70	2	6	6	3
K 5 ORB	\$510	70	2	6	6	3
K 5 PS	\$510	70	2	6	6	3
K 5 SB	\$510	70	2	6	6	3
K 5 SS	\$390	70	2	6	6	3
KA 3836 BK	\$330	129	7	41	7	7
KA 3836 ORB	\$330	129	7	41	7	7
KA 3836 PS	\$330	129	7	41	7	7
KA 3836 SB	\$330	129	7	41	7	7
KA 3836 SS	\$195	129	7	41	7	7
KA 3848 BK	\$440	129	8	53	7	7
KA 3848 ORB	\$440	129	8	53	7	7
KA 3848 PS	\$440	129	8	53	7	7
KA 3848 SB	\$440	129	8	53	7	7
KA 3848 SS	\$260	129	8	53	7	7
KA 3860 BK	\$550	129	10	65	7	7
KA 3860 ORB	\$550	129	10	65	7	7
KA 3860 PS	\$550	129	10	65	7	7
KA 3860 SB	\$550	129	10	65	7	7
KA 3860 SS	\$325	129	10	65	7	7
KA 3872 BK	\$660	129	11	78	7	7
KA 3872 ORB	\$660	129	11	78	7	7
KA 3872 PS	\$660	129	11	78	7	7
KA 3872 SB	\$660	129	11	78	7	7
KA 3872 SS	\$390	129	11	78	7	7
KA 3896 BK	\$880	129	12	102	7	7
KA 3896 ORB	\$880	129	12	102	7	7
KA 3896 PS	\$880	129	12	102	7	7
KA 3896 SB	\$880	129	12	102	7	7
KA 3896 SS	\$520	129	12	102	7	7
KA 6536 BK	\$330	133	7	41	7	7
KA 6536 ORB	\$330	133	7	41	7	7
KA 6536 PS	\$330	133	7	41	7	7
KA 6536 SB	\$330	133	7	41	7	7
KA 6536 SS	\$195	133	7	41	7	7
KA 6548 BK	\$440	133	8	53	7	7
KA 6548 ORB	\$440	133	8	53	7	7
KA 6548 PS	\$440	133	8	53	7	7
KA 6548 SB	\$440	133	8	53	7	7
KA 6548 SS	\$260	133	8	53	7	7
KA 6560 BK	\$550	133	10	65	7	7
KA 6560 ORB	\$550	133	10	65	7	7
KA 6560 PS	\$550	133	10	65	7	7
KA 6560 SB	\$550	133	10	65	7	7
KA 6560 SS	\$325	133	10	65	7	7
KA 6572 BK	\$660	133	11	78	7	7
KA 6572 ORB	\$660	133	11	78	7	7
KA 6572 PS	\$660	133	11	78	7	7
KA 6572 SB	\$660	133	11	78	7	7
KA 6572 SS	\$390	133	11	78	7	7
KA 6596 BK	\$880	133	12	102	7	7
KA 6596 ORB	\$880	133	12	102	7	7
KA 6596 PS	\$880	133	12	102	7	7
KA 6596 SB	\$880	133	12	102	7	7
KA 6596 SS	\$520	133	12	102	7	7
KA 65C 0-36 BK	\$580	113	7	41	7	7
KA 65C 0-36 ORB	\$580	113	7	41	7	7
KA 65C 0-36 PS	\$580	113	4	41	7	7
KA 65C 0-36 SB	\$580	113	7	41	7	7
KA 65C 0-36 SS	\$345	113	4	41	7	7
KA 65C 37-48 BK	\$770	113	8	53	7	7
KA 65C 37-48 ORB	\$770	113	8	53	7	7
KA 65C 37-48 PS	\$770	113	6	53	7	7
KA 65C 37-48 SB	\$770	113	8	53	7	7
KA 65C 37-48 SS	\$455	113	6	53	7	7
KA 65C 49-60 BK	\$965	113	10	64	7	7
KA 65C 49-60 ORB	\$965	113	10	64	7	7
KA 65C 49-60 PS	\$965	113	7	65	7	7
KA 65C 49-60 SB	\$965	113	10	64	7	7
KA 65C 49-60 SS	\$570	113	7	65	7	7
KA 65C 61-72 BK	\$1155	113	11	76	7	7
KA 65C 61-72 ORB	\$1155	113	11	76	7	7
KA 65C 61-72 PS	\$1155	113	8	76	7	7
KA 65C 61-72 SB	\$1155	113	11	76	7	7
KA 65C 61-72 SS	\$685	113	8	76	7	7
KA 65C 73-84 BK	\$1350	113	13	88	7	7
KA 65C 73-84 ORB	\$1350	113	13	88	7	7
KA 65C 73-84 PS	\$1350	113	13	88	7	7
KA 65C 73-84 SB	\$1350	113	13	88	7	7
KA 65C 73-84 SS	\$800	113	13	88	7	7

Price Sheet & Index

SKU	List Price	Page #	Shipping Dimensions			
			Lbs	L	W	H
KA 65C 85-96 BK	\$1540	113	15	102	7	7
KA 65C 85-96 ORB	\$1540	113	15	120	7	7
KA 65C 85-96 PS	\$1540	113	15	102	7	7
KA 65C 85-96 SB	\$1540	113	15	102	7	7
KA 65C 85-96 SS	\$910	113	15	102	7	7
KD 4-2A BK	\$495	69	3	5	5	5
KD 4-2A ORB	\$495	69	3	5	5	5
KD 4-2A PS	\$495	69	3	5	5	5
KD 4-2A SB	\$495	69	3	5	5	5
KD 4-2A SS	\$395	69	3	5	5	5
KD 4-2H BK	\$515	69	5	5	5	5
KD 4-2H ORB	\$515	69	5	5	5	5
KD 4-2H PS	\$515	69	5	5	5	5
KD 4-2H SB	\$515	69	5	5	5	5
KD 4-2H SS	\$415	69	5	5	5	5
KD 4-2I BK	\$515	69	5	5	5	5
KD 4-2I ORB	\$515	69	5	5	5	5
KD 4-2I PS	\$515	69	5	5	5	5
KD 4-2I SB	\$515	69	5	5	5	5
KD 4-2I SS	\$415	69	5	5	5	5
KD 4-2P BK	\$495	69	3	5	5	5
KD 4-2P ORB	\$495	69	3	5	5	5
KD 4-2P PS	\$495	69	3	5	5	5
KD 4-2P SB	\$495	69	3	5	5	5
KD 4-2P SS	\$395	69	3	5	5	5
KD 5-2A BK	\$575	70	3	6	6	6
KD 5-2A ORB	\$575	70	3	6	6	6
KD 5-2A PS	\$575	70	3	6	6	6
KD 5-2A SB	\$575	70	3	6	6	6
KD 5-2A SS	\$455	70	3	6	6	6
KD 5-2H BK	\$595	70	6	6	6	6
KD 5-2H ORB	\$595	70	6	6	6	6
KD 5-2H PS	\$595	70	6	6	6	6
KD 5-2H SB	\$595	70	6	6	6	6
KD 5-2H SS	\$475	70	6	6	6	6
KD 5-2I BK	\$595	70	6	6	6	6
KD 5-2I ORB	\$595	70	6	6	6	6
KD 5-2I PS	\$595	70	6	6	6	6
KD 5-2I SB	\$595	70	6	6	6	6
KD 5-2I SS	\$475	70	6	6	6	6
KD 5-2P BK	\$575	70	3	6	6	6
KD 5-2P ORB	\$575	70	3	6	6	6
KD 5-2P PS	\$575	70	3	6	6	6
KD 5-2P SB	\$575	70	3	6	6	6
KD 5-2P SS	\$455	70	3	6	6	6
KD 5-3A BK	\$785	70	5	9	9	7
KD 5-3A ORB	\$785	70	5	9	9	7
KD 5-3A PS	\$785	70	5	9	9	7
KD 5-3A SB	\$785	70	5	9	9	7
KD 5-3A SS	\$665	70	5	9	9	7
KD 5-3I BK	\$785	70	10	9	9	7
KD 5-3I ORB	\$785	70	10	9	9	7
KD 5-3I PS	\$785	70	10	9	9	7
KD 5-3I SB	\$785	70	10	9	9	7
KD 5-3I SS	\$665	70	10	9	9	7
KD 5-3P BK	\$785	70	5	9	9	7
KD 5-3P ORB	\$785	70	5	9	9	7
KD 5-3P PS	\$785	70	5	9	9	7
KD 5-3P SB	\$785	70	5	9	9	7
KD 5-3P SS	\$665	70	5	9	9	7
KDB 4-A BK	\$555	69	6	7	7	13
KDB 4-A ORB	\$555	69	6	7	7	13
KDB 4-A PS	\$555	69	6	7	7	13
KDB 4-A SB	\$555	69	6	7	7	13
KDB 4-A SS	\$455	69	6	7	7	13
KDB 4-P BK	\$555	69	6	7	7	13
KDB 4-P ORB	\$555	69	6	7	7	13
KDB 4-P PS	\$555	69	6	7	7	13
KDB 4-P SB	\$555	69	6	7	7	13
KDB 4-P SS	\$455	69	6	7	7	13
KDB 4-S BK	\$655	69	8	7	7	13
KDB 4-S ORB	\$655	69	8	7	7	13
KDB 4-S PS	\$655	69	8	7	7	13
KDB 4-S SB	\$655	69	8	7	7	13
KDB 4-S SS	\$555	69	8	7	7	13
KDB 5-A BK	\$635	70	6	7	7	13
KDB 5-A ORB	\$635	70	6	7	7	13
KDB 5-A PS	\$635	70	6	7	7	13
KDB 5-A SB	\$635	70	6	7	7	13
KDB 5-A SS	\$515	70	6	7	7	13
KDB 5-P BK	\$635	70	6	7	7	13
KDB 5-P ORB	\$635	70	6	7	7	13
KDB 5-P PS	\$635	70	6	7	7	13
KDB 5-P SB	\$635	70	6	7	7	13
KDB 5-P SS	\$515	70	6	7	7	13
KDB 5-S BK	\$735	70	8	7	7	13
KDB 5-S ORB	\$735	70	8	7	7	13
KDB 5-S PS	\$735	70	8	7	7	13

SKU	List Price	Page #	Shipping Dimensions			
			Lbs	L	W	H
KDB 5-S SB	\$735	70	8	7	7	13
KDB 5-S SS	\$615	70	8	7	7	13
KS 4 BK	\$140	147	1	6	6	2
KS 4 ORB	\$140	147	1	6	6	2
KS 4 PS	\$140	147	1	6	6	2
KS 4 SB	\$140	147	1	6	6	2
KS 4 SS	\$105	147	1	6	6	2
KS 5 BK	\$170	148	1	6	6	2
KS 5 ORB	\$170	148	1	6	6	2
KS 5 PS	\$170	148	1	6	6	2
KS 5 SB	\$170	148	1	6	6	2
KS 5 SS	\$130	148	1	6	6	2
LA 6524 BK	\$300	142	4	30	7	7
LA 6524 ORB	\$300	142	4	30	7	7
LA 6524 PS	\$300	142	4	30	7	7
LA 6524 SB	\$300	142	4	30	7	7
LA 6524 SS	\$260	142	4	30	7	7
LA 6525 BK	\$315	154	4	30	7	7
LA 6525 ORB	\$315	154	4	30	7	7
LA 6525 PS	\$315	154	4	30	7	7
LA 6525 SB	\$315	154	4	30	7	7
LA 6525 SS	\$275	154	4	30	7	7
LA 6532 BK	\$390	142	4	37	7	7
LA 6532 ORB	\$390	142	4	37	7	7
LA 6532 PS	\$390	142	4	37	7	7
LA 6532 SB	\$390	142	4	37	7	7
LA 6532 SS	\$340	142	4	37	7	7
LA 6536 BK	\$450	142	5	41	7	7
LA 6536 ORB	\$450	142	5	41	7	7
LA 6536 PS	\$450	142	5	41	7	7
LA 6536 SB	\$450	142	5	41	7	7
LA 6536 SS	\$390	142	5	41	7	7
LA 6542 BK	\$540	142	5	47	7	7
LA 6542 ORB	\$540	142	5	47	7	7
LA 6542 PS	\$540	142	5	47	7	7
LA 6542 SB	\$540	142	5	47	7	7
LA 6542 SS	\$470	142	5	47	7	7
LA 6548 BK	\$600	142	6	53	7	7
LA 6548 ORB	\$600	142	6	53	7	7
LA 6548 PS	\$600	142	6	53	7	7
LA 6548 SB	\$600	142	6	53	7	7
LA 6548 SS	\$520	142	6	53	7	7
LA 6557 BK	\$715	154	6	65	7	7
LA 6557 ORB	\$715	154	6	65	7	7
LA 6557 PS	\$715	154	6	65	7	7
LA 6557 SB	\$715	154	6	65	7	7
LA 6557 SS	\$620	154	6	65	7	7
LA 6560 BK	\$750	142	6	65	7	7
LA 6560 ORB	\$750	142	6	65	7	7
LA 6560 PS	\$750	142	6	65	7	7
LA 6560 SB	\$750	142	6	65	7	7
LA 6560 SS	\$650	142	6	65	7	7
LA 65C 0-36 BK	\$790	124	5	41	7	7
LA 65C 0-36 ORB	\$790	124	5	41	7	7
LA 65C 0-36 PS	\$790	124	5	41	7	7
LA 65C 0-36 SB	\$790	124	5	41	7	7
LA 65C 0-36 SS	\$685	124	5	41	7	7
LA 65C 37-48 BK	\$1050	124	6	53	7	7
LA 65C 37-48 ORB	\$1050	124	6	53	7	7
LA 65C 37-48 PS	\$1050	124	6	53	7	7
LA 65C 37-48 SB	\$910	124	6	53	7	7
LA 65C 49-60 BK	\$1315	124	7	64	7	7
LA 65C 49-60 ORB	\$1315	124	7	64	7	7
LA 65C 49-60 PS	\$1315	124	7	64	7	7
LA 65C 49-60 SB	\$1315	124	7	64	7	7
LA 65C 49-60 SS	\$1140	124	7	64	7	7
LA 65C 61-72 BK	\$1575	124	9	76	7	7
LA 65C 61-72 ORB	\$1575	124	9	76	7	7
LA 65C 61-72 PS	\$1575	124	9	76	7	7
LA 65C 61-72 SB	\$1575	124	9	76	7	7
LA 65C 61-72 SS	\$1365	124	9	76	7	7
LA 65C 73-84 BK	\$1840	124	10	88	7	7
LA 65C 73-84 ORB	\$1840	124	10	88	7	7
LA 65C 73-84 PS	\$1840	124	10	88	7	7
LA 65C 73-84 SB	\$1840	124	10	88	7	7
LA 65C 73-84 SS	\$1595	124	10	88	7	7
LA 65C 85-96 BK	\$2100	124	12	120	7	7
LA 65C 85-96 ORB	\$2100	124	12	102	7	7
LA 65C 85-96 PS	\$2100	124	12	102	7	7
LA 65C 85-96 SB	\$2100	124	12	120	7	7
LA 65C 85-96 SS	\$1820	124	12	102	7	7
LC 6528 BK	\$290	137	4	30	7	7
LC 6528 ORB	\$290	137	4	30	7	7
LC 6528 PS	\$290	137	4	30	7	7
LC 6528 SB	\$290	137	4	30	7	7
LC 6528 SS	\$255	137	4	30	7	7
LC 6540 BK	\$415	137	6	47	7	7

Price Sheet & Index

SKU	List Price	Page #	Shipping Dimensions			
			Lbs	L	W	H
LC 6540 ORB	\$415	137	6	47	7	7
LC 6540 PS	\$415	137	6	47	7	7
LC 6540 SB	\$415	137	6	47	7	7
LC 6540 SS	\$365	137	6	47	7	7
LC 6552 BK	\$540	137	8	65	7	7
LC 6552 ORB	\$540	137	8	65	7	7
LC 6552 PS	\$540	137	8	65	7	7
LC 6552 SB	\$540	137	8	65	7	7
LC 6552 SS	\$475	137	8	65	7	7
LC 6564 BK	\$665	137	9	70	7	7
LC 6564 ORB	\$665	137	9	70	7	7
LC 6564 PS	\$665	137	9	70	7	7
LC 6564 SB	\$665	137	9	70	7	7
LC 6564 SS	\$585	137	9	70	7	7
LC 6588 BK	\$915	137	11	94	7	7
LC 6588 ORB	\$915	137	11	94	7	7
LC 6588 PS	\$915	137	11	94	7	7
LC 6588 SB	\$915	137	11	94	7	7
LC 6588 SS	\$805	137	11	94	7	7
LF 65 BK	\$105	137	1	7	7	4
LF 65 ORB	\$105	137	1	7	7	4
LF 65 PS	\$105	137	1	7	7	4
LF 65 SB	\$105	137	1	7	7	4
LF 65 SS	\$95	137	1	7	7	4
LF 99 BK	\$400	137	2	7	7	4
LF 99 ORB	\$400	137	2	7	7	4
LF 99 PS	\$400	137	2	7	7	4
LF 99 SB	\$400	137	2	7	7	4
LF 99 SS	\$390	137	2	7	7	4
LN5-2 BK	\$195	86	1	6	6	3
LN5-2 ORB	\$195	86	1	6	6	3
LN5-2 PS	\$195	86	1	6	6	3
LN5-2 SB	\$195	86	1	6	6	3
LN5-2 SS	\$135	86	1	6	6	3
LND5 BA BK	\$385	86	3	13	13	7
LND5 BA ORB	\$385	86	3	13	13	7
LND5 BA PS	\$385	86	3	13	13	7
LND5 BA SB	\$385	86	3	13	13	7
LND5 BA SS	\$325	86	3	13	13	7
LND5 BP BK	\$385	86	5	13	13	7
LND5 BP ORB	\$385	86	5	13	13	7
LND5 BP PS	\$385	86	5	13	13	7
LND5 BP SB	\$385	86	5	13	13	7
LND5 BP SS	\$325	86	5	13	13	7
LND5 BS BK	\$485	86	6	13	13	7
LND5 BS ORB	\$485	86	6	13	13	7
LND5 BS PS	\$485	86	6	13	13	7
LND5 BS SB	\$485	86	6	13	13	7
LND5 BS SS	\$425	86	6	13	13	7
LND5-2A BK	\$260	86	2	6	6	6
LND5-2A ORB	\$260	86	2	6	6	6
LND5-2A PS	\$260	86	2	6	6	6
LND5-2A SB	\$260	86	2	6	6	6
LND5-2A SS	\$200	86	2	6	6	6
LND5-2H BK	\$280	86	5	6	6	6
LND5-2H ORB	\$280	86	5	6	6	6
LND5-2H PS	\$280	86	5	6	6	6
LND5-2H SB	\$280	86	5	6	6	6
LND5-2H SS	\$220	86	5	6	6	6
LND5-2I BK	\$280	86	5	6	6	6
LND5-2I ORB	\$280	86	5	6	6	6
LND5-2I PS	\$280	86	5	6	6	6
LND5-2I SB	\$280	86	5	6	6	6
LND5-2I SS	\$220	86	5	6	6	6
LND5-2P BK	\$260	86	3	6	6	6
LND5-2P ORB	\$260	86	3	6	6	6
LND5-2P PS	\$260	86	3	6	6	6
LND5-2P SB	\$260	86	3	6	6	6
LND5-2P SS	\$200	86	3	6	6	6
LNS 5-BK	\$105	150	1	6	6	2
LNS 5-ORB	\$105	150	1	6	6	2
LNS 5-PS	\$105	150	1	6	6	2
LNS 5-SB	\$105	150	1	6	6	2
LNS 5-SS	\$65	150	1	6	6	2
LQ5-2 BK	\$195	84	1	6	6	3
LQ5-2 ORB	\$195	84	1	6	6	3
LQ5-2 PS	\$195	84	1	6	6	3
LQ5-2 SB	\$195	84	1	6	6	3
LQ5-2 SS	\$135	84	1	6	6	3
LQD5 BA BK	\$385	84	3	13	13	7
LQD5 BA ORB	\$385	84	3	13	13	7
LQD5 BA PS	\$385	84	3	13	13	7
LQD5 BA SB	\$385	84	3	13	13	7
LQD5 BA SS	\$325	84	3	13	13	7
LQD5 BP BK	\$385	84	5	13	13	7
LQD5 BP ORB	\$385	84	5	13	13	7
LQD5 BP PS	\$385	84	5	13	13	7
LQD5 BP SB	\$385	84	5	13	13	7
LQD5 BP SS	\$385	84	5	13	13	7

SKU	List Price	Page #	Shipping Dimensions			
			Lbs	L	W	H
LQD5 BP SS	\$325	84	5	13	13	7
LQD5 BS BK	\$485	84	6	13	13	7
LQD5 BS ORB	\$485	84	6	13	13	7
LQD5 BS PS	\$485	84	6	13	13	7
LQD5 BS SB	\$485	84	6	13	13	7
LQD5 BS SS	\$425	84	6	13	13	7
LQD5-2A BK	\$260	84	2	6	6	6
LQD5-2A ORB	\$260	84	2	6	6	6
LQD5-2A PS	\$260	84	2	6	6	6
LQD5-2A SB	\$260	84	2	6	6	6
LQD5-2A SS	\$200	84	2	6	6	6
LQD5-2H BK	\$280	84	5	6	6	6
LQD5-2H ORB	\$280	84	5	6	6	6
LQD5-2H PS	\$280	84	5	6	6	6
LQD5-2H SB	\$280	84	5	6	6	6
LQD5-2H SS	\$220	84	5	6	6	6
LQD5-2I BK	\$280	84	5	6	6	6
LQD5-2I ORB	\$280	84	5	6	6	6
LQD5-2I PS	\$280	84	5	6	6	6
LQD5-2I SB	\$280	84	5	6	6	6
LQD5-2I SS	\$220	84	5	6	6	6
LQD5-2P BK	\$260	84	3	6	6	6
LQD5-2P ORB	\$260	84	3	6	6	6
LQD5-2P PS	\$260	84	3	6	6	6
LQD5-2P SB	\$260	84	3	6	6	6
LQD5-2P SS	\$200	84	3	6	6	6
LQS 5-BK	\$105	150	1	6	6	2
LQS 5-ORB	\$105	150	1	6	6	2
LQS 5-PS	\$105	150	1	6	6	2
LQS 5-SB	\$105	150	1	6	6	2
LQS 5-SS	\$65	150	1	6	6	2
LS5-2 BK	\$195	85	1	6	6	3
LS5-2 ORB	\$195	85	1	6	6	3
LS5-2 PS	\$195	85	1	6	6	3
LS5-2 SB	\$195	85	1	6	6	3
LS5-2 SS	\$135	85	1	6	6	3
LSD5 BA BK	\$385	85	3	13	13	7
LSD5 BA ORB	\$385	85	3	13	13	7
LSD5 BA PS	\$385	85	3	13	13	7
LSD5 BA SB	\$385	85	3	13	13	7
LSD5 BA SS	\$325	85	3	13	13	7
LSD5 BP BK	\$385	85	5	13	13	7
LSD5 BP ORB	\$385	85	5	13	13	7
LSD5 BP PS	\$385	85	5	13	13	7
LSD5 BP SB	\$385	85	5	13	13	7
LSD5 BP SS	\$325	85	5	13	13	7
LSD5 BS BK	\$485	85	5	13	13	7
LSD5 BS ORB	\$485	85	5	13	13	7
LSD5 BS PS	\$485	85	5	13	13	7
LSD5 BS SB	\$485	85	5	13	13	7
LSD5 BS SS	\$425	85	5	13	13	7
LSD5-2A BK	\$260	85	2	6	6	6
LSD5-2A ORB	\$260	85	2	6	6	6
LSD5-2A PS	\$260	85	2	6	6	6
LSD5-2A SB	\$260	85	2	6	6	6
LSD5-2A SS	\$200	85	2	6	6	6
LSD5-2H BK	\$280	85	5	6	6	6
LSD5-2H ORB	\$280	85	5	6	6	6
LSD5-2H PS	\$280	85	5	6	6	6
LSD5-2H SB	\$280	85	5	6	6	6
LSD5-2H SS	\$220	85	5	6	6	6
LSD5-2I BK	\$280	85	5	6	6	6
LSD5-2I ORB	\$280	85	5	6	6	6
LSD5-2I PS	\$280	85	5	6	6	6
LSD5-2I SB	\$280	85	5	6	6	6
LSD5-2I SS	\$220	85	5	6	6	6
LSD5-2P BK	\$260	85	2	6	6	6
LSD5-2P ORB	\$260	85	2	6	6	6
LSD5-2P PS	\$260	85	2	6	6	6
LSD5-2P SB	\$260	85	2	6	6	6
LSD5-2P SS	\$200	85	2	6	6	6
LSS 5-BK	\$105	150	1	6	6	2
LSS 5-ORB	\$105	150	1	6	6	2
LSS 5-PS	\$105	150	1	6	6	2
LSS 5-SB	\$105	150	1	6	6	2
LSS 5-SS	\$65	150	1	6	6	2
LT5-2 BK	\$195	83	2	7	7	4
LT5-2 ORB	\$195	83	2	7	7	4
LT5-2 PS	\$195	83	2	7	7	4
LT5-2 SB	\$195	83	2	7	7	4
LT5-2 SS	\$135	83	2	7	7	4
LTD5 BA BK	\$385	83	3	13	13	7
LTD5 BA ORB	\$385	83	3	13	13	7
LTD5 BA PS	\$385	83	3	13	13	7
LTD5 BA SB	\$385	83	3	13	13	7
LTD5 BA SS	\$325	83	3	13	13	7
LTD5 BP BK	\$385	83	3	13	13	7
LTD5 BP ORB	\$385	83	3	13	13	7

Price Sheet & Index

SKU	List Price	Page #	Shipping Dimensions			
			Lbs	L	W	H
LTD5 BP PS	\$385	83	3	13	13	7
LTD5 BP SB	\$385	83	3	13	13	7
LTD5 BP SS	\$325	83	3	13	13	7
LTD5 BS BK	\$485	83	5	13	13	7
LTD5 BS ORB	\$485	83	5	13	13	7
LTD5 BS PS	\$485	83	5	13	13	7
LTD5 BS SB	\$485	83	5	13	13	7
LTD5 BS SS	\$425	83	5	13	13	7
LTD5-2A BK	\$260	83	2	6	6	6
LTD5-2A ORB	\$260	83	2	6	6	6
LTD5-2A PS	\$260	83	2	6	6	6
LTD5-2A SB	\$260	83	2	6	6	6
LTD5-2A SS	\$200	83	2	6	6	6
LTD5-2H BK	\$280	83	5	6	6	6
LTD5-2H ORB	\$280	83	5	6	6	6
LTD5-2H PS	\$280	83	5	6	6	6
LTD5-2H SB	\$280	83	5	6	6	6
LTD5-2H SS	\$220	83	5	6	6	6
LTD5-2I BK	\$280	83	5	6	6	6
LTD5-2I ORB	\$280	83	5	6	6	6
LTD5-2I PS	\$280	83	5	6	6	6
LTD5-2I SB	\$280	83	5	6	6	6
LTD5-2I SS	\$220	83	5	6	6	6
LTD5-2P BK	\$260	83	2	6	6	6
LTD5-2P ORB	\$260	83	2	6	6	6
LTD5-2P PS	\$260	83	2	6	6	6
LTD5-2P SB	\$260	83	2	6	6	6
LTD5-2P SS	\$200	83	2	6	6	6
LTS 5-BK	\$105	150	1	6	6	2
LTS 5-ORB	\$105	150	1	6	6	2
LTS 5-PS	\$105	150	1	6	6	2
LTS 5-SB	\$105	150	1	6	6	2
LTS 5-SS	\$65	150	1	6	6	2
M 4 BK	\$430	67	2	6	6	3
M 4 ORB	\$430	67	2	6	6	3
M 4 PS	\$430	67	2	6	6	3
M 4 SB	\$430	67	2	6	6	3
M 4 SS	\$330	67	2	6	6	3
M 5 BK	\$510	68	2	6	6	3
M 5 ORB	\$510	68	2	6	6	3
M 5 PS	\$510	68	2	6	6	3
M 5 SB	\$510	68	2	6	6	3
M 5 SS	\$390	68	2	6	6	3
MA 65C 0-36 BK	\$580	124	5	41	7	7
MA 65C 0-36 ORB	\$580	124	5	41	7	7
MA 65C 0-36 PS	\$580	124	5	41	7	7
MA 65C 0-36 SB	\$580	124	5	41	7	7
MA 65C 0-36 SS	\$345	124	5	41	7	7
MA 65C 37-48 BK	\$770	124	6	53	7	7
MA 65C 37-48 ORB	\$770	124	6	53	7	7
MA 65C 37-48 PS	\$770	124	6	53	7	7
MA 65C 37-48 SB	\$770	124	6	53	7	7
MA 65C 37-48 SS	\$455	124	6	53	7	7
MA 65C 49-60 BK	\$965	124	7	64	7	7
MA 65C 49-60 ORB	\$965	124	7	64	7	7
MA 65C 49-60 PS	\$965	124	7	64	7	7
MA 65C 49-60 SB	\$965	124	7	64	7	7
MA 65C 49-60 SS	\$570	124	7	64	7	7
MA 65C 61-72 BK	\$1155	124	9	76	7	7
MA 65C 61-72 ORB	\$1155	124	9	76	7	7
MA 65C 61-72 PS	\$1155	124	9	76	7	7
MA 65C 61-72 SB	\$1155	124	9	76	7	7
MA 65C 61-72 SS	\$685	124	9	76	7	7
MA 65C 73-84 BK	\$1350	124	12	88	7	7
MA 65C 73-84 ORB	\$1350	124	12	88	7	7
MA 65C 73-84 PS	\$1350	124	12	88	7	7
MA 65C 73-84 SB	\$1350	124	12	88	7	7
MA 65C 73-84 SS	\$800	124	12	88	7	7
MA 65C 85-96 BK	\$1540	124	15	120	7	7
MA 65C 85-96 ORB	\$1540	124	15	120	7	7
MA 65C 85-96 PS	\$1540	124	15	120	7	7
MA 65C 85-96 SB	\$1540	124	15	120	7	7
MA 65C 85-96 SS	\$910	124	15	120	7	7
MD 4-2A BK	\$495	67	3	5	5	5
MD 4-2A ORB	\$495	67	3	5	5	5
MD 4-2A PS	\$495	67	3	5	5	5
MD 4-2A SB	\$495	67	3	5	5	5
MD 4-2A SS	\$395	67	3	5	5	5
MD 4-2H BK	\$515	67	5	5	5	5
MD 4-2H ORB	\$515	67	5	5	5	5
MD 4-2H PS	\$515	67	5	5	5	5
MD 4-2H SB	\$515	67	5	5	5	5
MD 4-2H SS	\$415	67	5	5	5	5
MD 4-2I BK	\$515	67	5	5	5	5
MD 4-2I ORB	\$515	67	5	5	5	5
MD 4-2I PS	\$515	67	5	5	5	5
MD 4-2I SB	\$515	67	5	5	5	5
MD 4-2I SS	\$415	67	5	5	5	5

SKU	List Price	Page #	Shipping Dimensions			
			Lbs	L	W	H
MD 4-2P BK	\$495	67	3	5	5	5
MD 4-2P ORB	\$495	67	3	5	5	5
MD 4-2P PS	\$495	67	3	5	5	5
MD 4-2P SB	\$495	67	3	5	5	5
MD 4-2P SS	\$395	67	3	5	5	5
MD 5-2A BK	\$575	68	3	6	6	6
MD 5-2A ORB	\$575	68	3	6	6	6
MD 5-2A PS	\$575	68	3	6	6	6
MD 5-2A SB	\$575	68	3	6	6	6
MD 5-2A SS	\$455	68	3	6	6	6
MD 5-2H BK	\$595	68	6	6	6	6
MD 5-2H ORB	\$595	68	6	6	6	6
MD 5-2H PS	\$595	68	6	6	6	6
MD 5-2H SB	\$595	68	6	6	6	6
MD 5-2H SS	\$475	68	6	6	6	6
MD 5-2I BK	\$595	68	6	6	6	6
MD 5-2I ORB	\$595	68	6	6	6	6
MD 5-2I PS	\$595	68	6	6	6	6
MD 5-2I SB	\$595	68	6	6	6	6
MD 5-2I SS	\$475	68	6	6	6	6
MD 5-2P BK	\$575	68	3	6	6	6
MD 5-2P ORB	\$575	68	3	6	6	6
MD 5-2P PS	\$575	68	3	6	6	6
MD 5-2P SB	\$575	68	3	6	6	6
MD 5-2P SS	\$455	68	3	6	6	6
MD 5-3A BK	\$785	68	5	9	9	7
MD 5-3A ORB	\$785	68	5	9	9	7
MD 5-3A PS	\$785	68	5	9	9	7
MD 5-3A SB	\$785	68	5	9	9	7
MD 5-3A SS	\$665	68	5	9	9	7
MD 5-3I BK	\$785	68	10	9	9	7
MD 5-3I ORB	\$785	68	10	9	9	7
MD 5-3I PS	\$785	68	10	9	9	7
MD 5-3I SB	\$785	68	10	9	9	7
MD 5-3I SS	\$665	68	10	9	9	7
MD 5-3P BK	\$785	68	5	9	9	7
MD 5-3P ORB	\$785	68	5	9	9	7
MD 5-3P PS	\$785	68	5	9	9	7
MD 5-3P SB	\$785	68	5	9	9	7
MD 5-3P SS	\$665	68	5	9	9	7
MDB 4-A BK	\$555	67	6	7	7	13
MDB 4-A ORB	\$555	67	6	7	7	13
MDB 4-A PS	\$555	67	6	7	7	13
MDB 4-A SB	\$555	67	6	7	7	13
MDB 4-A SS	\$455	67	6	7	7	13
MDB 4-P BK	\$555	67	6	7	7	13
MDB 4-P ORB	\$555	67	6	7	7	13
MDB 4-P PS	\$555	67	6	7	7	13
MDB 4-P SB	\$555	67	6	7	7	13
MDB 4-P SS	\$455	67	6	7	7	13
MDB 4-S BK	\$655	67	8	7	7	13
MDB 4-S ORB	\$655	67	8	7	7	13
MDB 4-S PS	\$655	67	8	7	7	13
MDB 4-S SB	\$655	67	8	7	7	13
MDB 4-S SS	\$555	67	8	7	7	13
MDB 5-A BK	\$635	68	6	7	7	13
MDB 5-A ORB	\$635	68	6	7	7	13
MDB 5-A PS	\$635	68	6	7	7	13
MDB 5-A SB	\$635	68	6	7	7	13
MDB 5-A SS	\$515	68	6	7	7	13
MDB 5-P BK	\$635	68	6	7	7	13
MDB 5-P ORB	\$635	68	6	7	7	13
MDB 5-P PS	\$635	68	6	7	7	13
MDB 5-P SB	\$635	68	6	7	7	13
MDB 5-P SS	\$515	68	6	7	7	13
MDB 5-S BK	\$735	68	8	7	7	13
MDB 5-S ORB	\$735	68	8	7	7	13
MDB 5-S PS	\$735	68	8	7	7	13
MDB 5-S SB	\$735	68	8	7	7	13
MDB 5-S SS	\$615	68	8	7	7	13
ME 96 BK	\$85	158	6	102	7	7
ME 96 ORB	\$85	158	6	102	7	7
ME 96 PS	\$85	158	6	102	7	7
ME 96 SB	\$85	158	6	102	7	7
ME 96 SS	\$75	158	6	102	7	7
MG 4	\$5	147	1	6	6	2
MG 5	\$5	148	1	6	6	2
MS 4 BK	\$140	147	1	6	6	1
MS 4 ORB	\$140	147	1	6	6	2
MS 4 PS	\$140	147	1	6	6	2
MS 4 SB	\$140	147	1	6	6	2
MS 4 SS	\$105	147	1	6	6	2
MS 5 BK	\$170	148	1	6	6	2
MS 5 ORB	\$170	148	1	6	6	2
MS 5 PS	\$170	148	1	6	6	2
MS 5 SB	\$170	148	1	6	6	2
MS 5 SS	\$130	148	1	6	6	2
N 4 BK	\$430	75	2	6	6	3

Price Sheet & Index

SKU	List Price	Page #	Shipping Dimensions			
			Lbs	L	W	H
N 4 ORB	\$430	75	2	6	6	3
N 4 PS	\$430	75	2	6	6	3
N 4 SB	\$430	75	2	6	6	3
N 4 SS	\$330	75	2	6	6	3
N 5 BK	\$510	76	2	6	6	6
N 5 ORB	\$510	76	2	6	6	6
N 5 PS	\$510	76	2	6	6	6
N 5 SB	\$510	76	2	6	6	6
N 5 SS	\$390	76	2	6	6	6
NA 6524 SS	\$170	151	4	30	7	7
NA 6530 SS	\$180	151	5	37	7	7
NA 6532 SS	\$185	151	5	37	7	7
NA 6536 SS	\$195	151	5	41	7	7
NA 6542 SS	\$195	151	5	47	7	7
NA 6548 SS	\$205	151	6	53	7	7
NA 6554 SS	\$225	151	6	65	7	7
NA 6560 SS	\$245	151	6	65	7	7
ND 4-2A BK	\$495	75	3	5	5	5
ND 4-2A ORB	\$495	75	3	5	5	5
ND 4-2A PS	\$495	75	3	5	5	5
ND 4-2A SB	\$495	75	3	5	5	5
ND 4-2A SS	\$395	75	3	5	5	5
ND 4-2H BK	\$515	75	5	5	5	5
ND 4-2H ORB	\$515	75	5	5	5	5
ND 4-2H PS	\$515	75	5	5	5	5
ND 4-2H SB	\$515	75	5	5	5	5
ND 4-2H SS	\$415	75	5	5	5	5
ND 4-2I BK	\$515	75	5	5	5	5
ND 4-2I ORB	\$515	75	5	5	5	5
ND 4-2I PS	\$515	75	5	5	5	5
ND 4-2I SB	\$515	75	5	5	5	5
ND 4-2I SS	\$415	75	5	5	5	5
ND 4-2P BK	\$495	75	3	5	5	5
ND 4-2P ORB	\$495	75	3	5	5	5
ND 4-2P PS	\$495	75	3	5	5	5
ND 4-2P SB	\$495	75	3	5	5	5
ND 4-2P SS	\$395	75	3	5	5	5
ND 5-2A BK	\$575	76	3	6	6	6
ND 5-2A ORB	\$575	76	3	6	6	6
ND 5-2A PS	\$575	76	3	6	6	6
ND 5-2A SB	\$575	76	3	6	6	6
ND 5-2A SS	\$455	76	3	6	6	6
ND 5-2H BK	\$595	76	6	6	6	6
ND 5-2H ORB	\$595	76	6	6	6	6
ND 5-2H PS	\$595	76	6	6	6	6
ND 5-2H SB	\$595	76	6	6	6	6
ND 5-2H SS	\$475	76	6	6	6	6
ND 5-2I BK	\$595	76	6	6	6	6
ND 5-2I ORB	\$595	76	6	6	6	6
ND 5-2I PS	\$595	76	6	6	6	6
ND 5-2I SB	\$595	76	6	6	6	6
ND 5-2I SS	\$475	76	6	6	6	6
ND 5-2P BK	\$575	76	3	6	6	6
ND 5-2P ORB	\$575	76	3	6	6	6
ND 5-2P PS	\$575	76	3	6	6	6
ND 5-2P SB	\$575	76	3	6	6	6
ND 5-2P SS	\$455	76	3	6	6	6
ND 5-3A BK	\$785	76	5	9	9	7
ND 5-3A ORB	\$785	76	5	9	9	7
ND 5-3A PS	\$785	76	5	9	9	7
ND 5-3A SB	\$785	76	5	9	9	7
ND 5-3A SS	\$665	76	5	9	9	7
ND 5-3I BK	\$785	76	10	9	9	7
ND 5-3I ORB	\$785	76	10	9	9	7
ND 5-3I PS	\$785	76	10	9	9	7
ND 5-3I SB	\$785	76	10	9	9	7
ND 5-3I SS	\$665	76	10	9	9	7
ND 5-3P BK	\$785	76	5	9	9	7
ND 5-3P ORB	\$785	76	5	9	9	7
ND 5-3P PS	\$785	76	5	9	9	7
ND 5-3P SB	\$785	76	5	9	9	7
ND 5-3P SS	\$665	76	5	9	9	7
NDB 4-A BK	\$555	75	6	7	7	13
NDB 4-A ORB	\$555	75	6	7	7	13
NDB 4-A PS	\$555	75	6	7	7	13
NDB 4-A SB	\$555	75	6	7	7	13
NDB 4-A SS	\$455	75	6	7	7	13
NDB 4-P BK	\$555	75	6	7	7	13
NDB 4-P ORB	\$555	75	6	7	7	13
NDB 4-P PS	\$555	75	6	7	7	13
NDB 4-P SB	\$555	75	6	7	7	13
NDB 4-P SS	\$455	75	6	7	7	13
NDB 4-S BK	\$655	75	8	7	7	13
NDB 4-S ORB	\$655	75	8	7	7	13
NDB 4-S PS	\$655	75	8	7	7	13
NDB 4-S SB	\$655	75	8	7	7	13
NDB 4-S SS	\$555	75	8	7	7	13
NDB 5-A BK	\$635	76	6	7	7	13

SKU	List Price	Page #	Shipping Dimensions			
			Lbs	L	W	H
NDB 5-A ORB	\$635	76	6	7	7	13
NDB 5-A PS	\$635	76	6	7	7	13
NDB 5-A SB	\$635	76	6	7	7	13
NDB 5-A SS	\$515	76	6	7	7	13
NDB 5-P BK	\$635	76	6	7	7	13
NDB 5-P ORB	\$635	76	6	7	7	13
NDB 5-P PS	\$635	76	6	7	7	13
NDB 5-P SB	\$635	76	6	7	7	13
NDB 5-P SS	\$515	76	6	7	7	13
NDB 5-S BK	\$735	76	8	7	7	13
NDB 5-S ORB	\$735	76	8	7	7	13
NDB 5-S PS	\$735	76	8	7	7	13
NDB 5-S SB	\$735	76	8	7	7	13
NDB 5-S SS	\$615	76	8	7	7	13
NS 4 BK	\$140	147	1	6	6	2
NS 4 ORB	\$140	147	1	6	6	2
NS 4 PS	\$140	147	1	6	6	2
NS 4 SB	\$140	147	1	6	6	2
NS 4 SS	\$105	147	1	6	6	2
NS 5 BK	\$170	148	1	6	6	2
NS 5 ORB	\$170	148	1	6	6	2
NS 5 PS	\$170	148	1	6	6	2
NS 5 SB	\$170	148	1	6	6	2
NS 5 SS	\$130	148	1	6	6	2
OC 6524 SS	\$285	141	4	30	7	7
OC 6532 SS	\$375	141	5	37	7	7
OC 6536 SS	\$405	141	6	41	7	7
OC 6542 SS	\$415	141	7	47	7	7
OC 6548 SS	\$430	141	8	53	7	7
OC 6560 SS	\$450	141	9	65	7	7
OC 65C 0-36 SS	\$630	122	6	41	7	7
OC 65C 37-48 SS	\$840	122	8	53	7	7
OC 65C 49-60 SS	\$1050	122	9	64	7	7
OC 65C 61-72 SS	\$1260	122	11	76	7	7
OC 65C 73-84 SS	\$1470	122	15	88	7	7
OC 65C 85-96 SS	\$1680	122	17	102	7	7
OCH 6524 SS	\$285	141	4	30	7	7
OCH 6532 SS	\$375	141	5	37	7	7
OCH 6536 SS	\$405	141	6	41	7	7
OCH 6542 SS	\$415	141	7	47	7	7
OCH 6548 SS	\$430	141	8	53	7	7
OCH 6560 SS	\$450	141	9	65	7	7
OCH 65C 0-36 SS	\$630	122	6	41	7	7
OCH 65C 37-48 SS	\$840	122	8	53	7	7
OCH 65C 49-60 SS	\$1050	122	9	64	7	7
OCH 65C 61-72 SS	\$1260	122	12	76	7	7
OCH 65C 73-84 SS	\$1470	122	15	88	7	7
OCH 65C 85-96 SS	\$1680	122	18	102	7	7
OCS 65C 0-36 SS	\$975	122	6	41	7	7
OCS 65C 37-48 SS	\$1295	122	8	53	7	7
OCS 65C 49-60 SS	\$1620	122	9	64	7	7
OCS 65C 61-72 SS	\$1945	122	11	76	7	7
OCS 65C 73-84 SS	\$2270	122	15	88	7	7
OCS 65C 85-96 SS	\$2590	122	17	102	7	7
PA 65C 0-36 BK	\$580	125	5	41	7	7
PA 65C 0-36 ORB	\$580	125	5	41	7	7
PA 65C 0-36 PS	\$580	125	5	41	7	7
PA 65C 0-36 SB	\$580	125	5	41	7	7
PA 65C 0-36 SS	\$345	125	5	41	7	7
PA 65C 37-48 BK	\$770	125	6	53	7	7
PA 65C 37-48 ORB	\$770	125	6	53	7	7
PA 65C 37-48 PS	\$770	125	6	53	7	7
PA 65C 37-48 SB	\$770	125	6	53	7	7
PA 65C 37-48 SS	\$455	125	6	53	7	7
PA 65C 49-60 BK	\$965	125	7	64	7	7
PA 65C 49-60 ORB	\$965	125	7	64	7	7
PA 65C 49-60 PS	\$965	125	7	64	7	7
PA 65C 49-60 SB	\$965	125	7	64	7	7
PA 65C 49-60 SS	\$570	125	7	64	7	7
PA 65C 61-72 BK	\$1155	125	9	76	7	7
PA 65C 61-72 ORB	\$1155	125	9	76	7	7
PA 65C 61-72 PS	\$1155	125	9	76	7	7
PA 65C 61-72 SB	\$1155	125	9	76	7	7
PA 65C 61-72 SS	\$685	125	9	76	7	7
PA 65C 73-84 BK	\$1350	125	12	88	7	7
PA 65C 73-84 ORB	\$1350	125	12	88	7	7
PA 65C 73-84 PS	\$1350	125	12	88	7	7
PA 65C 73-84 SB	\$1350	125	12	88	7	7
PA 65C 73-84 SS	\$800	125	12	88	7	7
PA 65C 85-96 BK	\$1540	125	15	120	7	7
PA 65C 85-96 ORB	\$1540	125	15	120	7	7
PA 65C 85-96 PS	\$1540	125	15	120	7	7
PA 65C 85-96 SB	\$1540	125	15	120	7	7
PA 65C 85-96 SS	\$910	125	15	120	7	7
Q 4 BK	\$430	63	2	6	6	6
Q 4 ORB	\$430	63	2	6	6	6
Q 4 PS	\$430	63	2	6	6	6
Q 4 SB	\$430	63	2	6	6	6

Price Sheet & Index

SKU	List Price	Page #	Shipping Dimensions			
			Lbs	L	W	H
Q 4 SS	\$330	63	2	6	6	6
Q 5 BK	\$510	64	2	6	6	6
Q 5 ORB	\$510	64	2	6	6	6
Q 5 PS	\$510	64	2	6	6	6
Q 5 SB	\$510	64	2	6	6	6
Q 5 SS	\$390	64	2	6	6	6
QA 6524 PS	\$135	151	4	30	7	7
QA 6524 SS	\$120	151	4	30	7	7
QA 6530 PS	\$145	151	4	37	7	7
QA 6530 SS	\$130	151	4	37	7	7
QA 6532 PS	\$150	151	4	37	7	7
QA 6532 SS	\$135	151	4	37	7	7
QA 6536 PS	\$160	151	4	41	7	7
QA 6536 SS	\$145	151	4	41	7	7
QA 6542 PS	\$160	151	5	47	7	7
QA 6542 SS	\$145	151	5	47	7	7
QA 6548 PS	\$170	151	5	53	7	7
QA 6548 SS	\$155	151	5	53	7	7
QA 6554 PS	\$190	151	6	65	7	7
QA 6554 SS	\$175	151	6	65	7	7
QA 6560 PS	\$210	151	6	65	7	7
QA 6560 SS	\$195	151	6	65	7	7
QD 4-2A BK	\$495	63	3	5	5	5
QD 4-2A ORB	\$495	63	3	5	5	5
QD 4-2A PS	\$495	63	3	5	5	5
QD 4-2A SB	\$495	63	3	5	5	5
QD 4-2A SS	\$395	63	3	5	5	5
QD 4-2H BK	\$515	63	5	5	5	5
QD 4-2H ORB	\$515	63	5	5	5	5
QD 4-2H PS	\$515	63	5	5	5	5
QD 4-2H SB	\$515	63	5	5	5	5
QD 4-2H SS	\$415	63	5	5	5	5
QD 4-2I BK	\$515	63	5	5	5	5
QD 4-2I ORB	\$515	63	5	5	5	5
QD 4-2I PS	\$515	63	5	5	5	5
QD 4-2I SB	\$515	63	5	5	5	5
QD 4-2I SS	\$415	63	5	5	5	5
QD 4-2P BK	\$495	63	3	5	5	5
QD 4-2P ORB	\$495	63	3	5	5	5
QD 4-2P PS	\$495	63	3	5	5	5
QD 4-2P SB	\$495	63	3	5	5	5
QD 4-2P SS	\$395	63	3	5	5	5
QD 5-2A BK	\$575	64	3	6	6	6
QD 5-2A ORB	\$575	64	3	6	6	6
QD 5-2A PS	\$575	64	3	6	6	6
QD 5-2A SB	\$575	64	3	6	6	6
QD 5-2A SS	\$455	64	3	6	6	6
QD 5-2H BK	\$595	64	6	6	6	6
QD 5-2H ORB	\$595	64	6	6	6	6
QD 5-2H PS	\$595	64	6	6	6	6
QD 5-2H SB	\$595	64	6	6	6	6
QD 5-2H SS	\$475	64	6	6	6	6
QD 5-2I BK	\$595	64	6	6	6	6
QD 5-2I ORB	\$595	64	6	6	6	6
QD 5-2I PS	\$595	64	6	6	6	6
QD 5-2I SB	\$595	64	6	6	6	6
QD 5-2I SS	\$475	64	6	6	6	6
QD 5-2P BK	\$575	64	3	6	6	6
QD 5-2P ORB	\$575	64	3	6	6	6
QD 5-2P PS	\$575	64	3	6	6	6
QD 5-2P SB	\$575	64	3	6	6	6
QD 5-2P SS	\$455	64	3	6	6	6
QD 5-3A BK	\$785	64	5	9	9	7
QD 5-3A ORB	\$785	64	5	9	9	7
QD 5-3A PS	\$785	64	5	9	9	7
QD 5-3A SB	\$785	64	5	9	9	7
QD 5-3A SS	\$665	64	5	9	9	7
QD 5-3I BK	\$785	64	10	9	9	7
QD 5-3I ORB	\$785	64	10	9	9	7
QD 5-3I PS	\$785	64	10	9	9	7
QD 5-3I SB	\$785	64	10	9	9	7
QD 5-3I SS	\$665	64	10	9	9	7
QD 5-3P BK	\$785	64	5	9	9	7
QD 5-3P ORB	\$785	64	5	9	9	7
QD 5-3P PS	\$785	64	5	9	9	7
QD 5-3P SB	\$785	64	5	9	9	7
QD 5-3P SS	\$665	64	5	9	9	7
QDB 4-A BK	\$555	63	6	7	7	13
QDB 4-A ORB	\$555	63	6	7	7	13
QDB 4-A PS	\$555	63	6	7	7	13
QDB 4-A SB	\$555	63	6	7	7	13
QDB 4-A SS	\$455	63	6	7	7	13
QDB 4-P BK	\$555	63	6	7	7	13
QDB 4-P ORB	\$555	63	6	7	7	13
QDB 4-P PS	\$555	63	6	7	7	13
QDB 4-P SB	\$555	63	6	7	7	13
QDB 4-P SS	\$455	63	6	7	7	13
QDB 4-S BK	\$655	63	8	7	7	13

SKU	List Price	Page #	Shipping Dimensions			
			Lbs	L	W	H
QDB 4-S ORB	\$655	63	8	7	7	13
QDB 4-S PS	\$655	63	8	7	7	13
QDB 4-S SB	\$655	63	8	7	7	13
QDB 4-S SS	\$555	63	8	7	7	13
QDB 5-A BK	\$635	64	6	7	7	13
QDB 5-A ORB	\$635	64	6	7	7	13
QDB 5-A PS	\$635	64	6	7	7	13
QDB 5-A SB	\$635	64	6	7	7	13
QDB 5-A SS	\$515	64	6	7	7	13
QDB 5-P BK	\$635	64	6	7	7	13
QDB 5-P ORB	\$635	64	6	7	7	13
QDB 5-P PS	\$635	64	6	7	7	13
QDB 5-P SB	\$635	64	6	7	7	13
QDB 5-P SS	\$515	64	6	7	7	13
QDB 5-S BK	\$735	64	8	7	7	13
QDB 5-S ORB	\$735	64	8	7	7	13
QDB 5-S PS	\$735	64	8	7	7	13
QDB 5-S SB	\$735	64	8	7	7	13
QDB 5-S SS	\$615	64	8	7	7	13
QS 4 BK	\$140	147	1	6	6	2
QS 4 ORB	\$140	147	1	6	6	2
QS 4 PS	\$140	147	1	6	6	2
QS 4 SB	\$140	147	1	6	6	2
QS 4 SS	\$105	147	1	6	6	2
QS 5 BK	\$170	148	1	6	6	2
QS 5 ORB	\$170	148	1	6	6	2
QS 5 PS	\$170	148	1	6	6	2
QS 5 SB	\$170	148	1	6	6	2
QS 5 SS	\$130	148	1	6	6	2
R 52-BK	\$315	149	2	6	6	3
R 52-ORB	\$315	149	2	6	6	3
R 52-PS	\$315	149	2	6	6	3
R 52-SB	\$315	149	2	6	6	3
R 52-SS	\$235	149	2	6	6	3
R 54-BK	\$470	149	2	6	6	3
R 54-ORB	\$470	149	2	6	6	3
R 54-PS	\$470	149	2	6	6	3
R 54-SB	\$470	149	2	6	6	3
R 54-SS	\$390	149	2	6	6	3
R 6536 BK	\$690		4	41	7	7
R 6536 ORB	\$690		4	41	7	7
R 6536 PS	\$690		4	41	7	7
R 6536 SB	\$690		4	41	7	7
R 6536 SS	\$615		4	41	7	7
R 6548 BK	\$920		6	53	7	7
R 6548 ORB	\$920		6	53	7	7
R 6548 PS	\$920		6	53	7	7
R 6548 SB	\$920		6	53	7	7
R 6548 SS	\$820		6	53	7	7
R 6560 BK	\$1150		6	65	7	7
R 6560 ORB	\$1150		6	65	7	7
R 6560 PS	\$1150		6	65	7	7
R 6560 SB	\$1150		6	65	7	7
R 6560 SS	\$1025		6	65	7	7
RA 6536 BK	\$750	133	4	41	7	7
RA 6536 ORB	\$750	133	4	41	7	7
RA 6536 PS	\$750	133	4	41	7	7
RA 6536 SB	\$750	133	4	41	7	7
RA 6536 SS	\$675	133	4	41	7	7
RA 6548 BK	\$980	133	6	53	7	7
RA 6548 ORB	\$980	133	6	53	7	7
RA 6548 PS	\$980	133	6	53	7	7
RA 6548 SB	\$980	133	6	53	7	7
RA 6548 SS	\$880	133	6	53	7	7
RA 6560 BK	\$1210	133	6	65	7	7
RA 6560 ORB	\$1210	133	6	65	7	7
RA 6560 PS	\$1210	133	6	65	7	7
RA 6560 SB	\$1210	133	6	65	7	7
RA 6560 SS	\$1085	133	6	65	7	7
RA 65C 0-36 BK	\$1210	124	4	41	7	7
RA 65C 0-36 ORB	\$1210	124	4	41	7	7
RA 65C 0-36 PS	\$1210	124	5	41	7	7
RA 65C 0-36 SB	\$1210	124	4	41	7	7
RA 65C 0-36 SS	\$1080	124	5	41	7	7
RA 65C 37-48 BK	\$1610	124	6	53	7	7
RA 65C 37-48 ORB	\$1610	124	6	53	7	7
RA 65C 37-48 PS	\$1610	124	7	53	7	7
RA 65C 37-48 SB	\$1610	124	6	53	7	7
RA 65C 37-48 SS	\$1435	124	7	53	7	7
RA 65C 49-60 BK	\$2015	124	7	64	7	7
RA 65C 49-60 ORB	\$2015	124	7	64	7	7
RA 65C 49-60 PS	\$2015	124	8	65	7	7
RA 65C 49-60 SB	\$2015	124	7	64	7	7
RA 65C 49-60 SS	\$1795	124	8	65	7	7
RA 65C 61-72 BK	\$2415	124	9	76	7	7
RA 65C 61-72 ORB	\$2415	124	9	76	7	7
RA 65C 61-72 PS	\$2415	124	9	76	7	7
RA 65C 61-72 SB	\$2415	124	9	76	7	7

Price Sheet & Index

SKU	List Price	Page #	Shipping Dimensions			
			Lbs	L	W	H
RA 65C 61-72 SS	\$2155	124	9	76	7	7
RA 65C 73-84 BK	\$2820	124	13	88	7	7
RA 65C 73-84 ORB	\$2820	124	13	88	7	7
RA 65C 73-84 PS	\$2820	124	13	88	7	7
RA 65C 73-84 SB	\$2820	124	13	88	7	7
RA 65C 73-84 SS	\$2515	124	13	88	7	7
RA 65C 85-96 BK	\$3220	124	15	102	7	7
RA 65C 85-96 ORB	\$3220	124	15	102	7	7
RA 65C 85-96 PS	\$3220	124	15	102	7	7
RA 65C 85-96 SB	\$3220	124	15	102	7	7
RA 65C 85-96 SS	\$2870	124	15	102	7	7
RA2	\$40		1	6	6	3
RA4	\$40		1	6	6	3
RB 32	\$95	157	1	4	4	4
RG 3836	\$100	128	4	41	7	7
RG 3836 BK	\$120	128	4	41	7	7
RG 3836 ORB	\$120	128	4	41	7	7
RG 3836 PS	\$120	128	4	41	7	7
RG 3836 SB	\$120	128	4	41	7	7
RG 3836 SS	\$120	128	4	41	7	7
RG 3848	\$125	128	5	53	7	7
RG 3848 BK	\$155	128	5	53	7	7
RG 3848 ORB	\$155	128	5	53	7	7
RG 3848 PS	\$155	128	5	53	7	7
RG 3848 SB	\$155	128	5	53	7	7
RG 3848 SS	\$145	128	5	53	7	7
RG 3860	\$145	128	5	65	7	7
RG 3860 BK	\$185	128	5	65	7	7
RG 3860 ORB	\$185	128	5	65	7	7
RG 3860 PS	\$185	128	5	65	7	7
RG 3860 SB	\$185	128	5	65	7	7
RG 3860 SS	\$175	128	5	65	7	7
RG 3872	\$190	128	6	78	7	7
RG 3872 BK	\$240	128	6	78	7	7
RG 3872 ORB	\$240	128	6	78	7	7
RG 3872 PS	\$240	128	6	78	7	7
RG 3872 SB	\$240	128	6	78	7	7
RG 3872 SS	\$230	128	6	78	7	7
RG 3896	\$240	128	7	100	7	7
RG 3896 BK	\$310	128	7	100	7	7
RG 3896 ORB	\$310	128	7	100	7	7
RG 3896 PS	\$310	128	7	100	7	7
RG 3896 SB	\$310	128	7	100	7	7
RG 3896 SS	\$300	128	7	100	7	7
RG 6536	\$100	132	4	41	7	7
RG 6536 BK	\$120	132	4	41	7	7
RG 6536 ORB	\$120	132	4	41	7	7
RG 6536 PS	\$120	132	4	41	7	7
RG 6536 SB	\$120	132	4	41	7	7
RG 6536 SS	\$120	132	4	41	7	7
RG 6548	\$125	132	5	53	7	7
RG 6548 BK	\$155	132	5	53	7	7
RG 6548 ORB	\$155	132	5	53	7	7
RG 6548 PS	\$155	132	5	53	7	7
RG 6548 SB	\$155	132	5	53	7	7
RG 6548 SS	\$145	132	5	53	7	7
RG 6560	\$145	132	5	65	7	7
RG 6560 BK	\$185	132	5	65	7	7
RG 6560 ORB	\$185	132	5	65	7	7
RG 6560 PS	\$185	132	5	65	7	7
RG 6560 SB	\$185	132	5	65	7	7
RG 6560 SS	\$175	132	5	65	7	7
RG 6572	\$190	132	6	78	7	7
RG 6572 BK	\$240	132	6	78	7	7
RG 6572 ORB	\$240	132	6	78	7	7
RG 6572 PS	\$240	132	6	78	7	7
RG 6572 SB	\$240	132	6	78	7	7
RG 6572 SS	\$230	132	6	78	7	7
RG 6596	\$240	132	7	100	7	7
RG 6596 BK	\$310	132	7	100	7	7
RG 6596 ORB	\$310	132	7	100	7	7
RG 6596 PS	\$310	132	7	100	7	7
RG 6596 SB	\$310	132	7	100	7	7
RG 6596 SS	\$300	132	7	100	7	7
RG-L 3836	\$100	130	4	41	7	7
RG-L 3836 BK	\$120	130	4	41	7	7
RG-L 3836 ORB	\$120	130	4	41	7	7
RG-L 3836 PS	\$120	130	4	41	7	7
RG-L 3836 SB	\$120	130	4	41	7	7
RG-L 3836 SS	\$120	130	4	41	7	7
RG-L 3848	\$125	130	5	53	7	7
RG-L 3848 BK	\$155	130	5	53	7	7
RG-L 3848 ORB	\$155	130	5	53	7	7
RG-L 3848 PS	\$155	130	5	53	7	7
RG-L 3848 SB	\$155	130	5	53	7	7
RG-L 3848 SS	\$145	130	5	53	7	7
RG-L 3860	\$145	130	5	65	7	7
RG-L 3860 BK	\$185	130	5	65	7	7

SKU	List Price	Page #	Shipping Dimensions			
			Lbs	L	W	H
RG-L 3860 ORB	\$185	130	5	65	7	7
RG-L 3860 PS	\$185	130	5	65	7	7
RG-L 3860 SB	\$185	130	5	65	7	7
RG-L 3860 SS	\$175	130	5	65	7	7
RG-L 3872	\$190	130	6	78	7	7
RG-L 3872 BK	\$240	130	6	78	7	7
RG-L 3872 ORB	\$240	130	6	78	7	7
RG-L 3872 PS	\$240	130	6	78	7	7
RG-L 3872 SB	\$240	130	6	78	7	7
RG-L 3872 SS	\$230	130	6	78	7	7
RG-L 3896	\$240	130	7	100	7	7
RG-L 3896 BK	\$310	130	7	100	7	7
RG-L 3896 ORB	\$310	130	7	100	7	7
RG-L 3896 PS	\$310	130	7	100	7	7
RG-L 3896 SB	\$310	130	7	100	7	7
RG-L 3896 SS	\$300	130	7	100	7	7
RG-L 6536	\$100	134	4	41	7	7
RG-L 6536 BK	\$120	134	4	41	7	7
RG-L 6536 ORB	\$120	134	4	41	7	7
RG-L 6536 PS	\$120	134	4	41	7	7
RG-L 6536 SB	\$120	134	4	41	7	7
RG-L 6536 SS	\$120	134	4	41	7	7
RG-L 6548	\$125	134	5	53	7	7
RG-L 6548 BK	\$155	134	5	53	7	7
RG-L 6548 ORB	\$155	134	5	53	7	7
RG-L 6548 PS	\$155	134	5	53	7	7
RG-L 6548 SB	\$155	134	5	53	7	7
RG-L 6548 SS	\$145	134	5	53	7	7
RG-L 6560	\$145	134	5	65	7	7
RG-L 6560 BK	\$185	134	5	65	7	7
RG-L 6560 ORB	\$185	134	5	65	7	7
RG-L 6560 PS	\$185	134	5	65	7	7
RG-L 6560 SB	\$185	134	5	65	7	7
RG-L 6560 SS	\$175	134	5	65	7	7
RG-L 6572	\$190	134	6	78	7	7
RG-L 6572 BK	\$240	134	6	78	7	7
RG-L 6572 ORB	\$240	134	6	78	7	7
RG-L 6572 PS	\$240	134	6	78	7	7
RG-L 6572 SB	\$240	134	6	78	7	7
RG-L 6572 SS	\$230	134	6	78	7	7
RG-L 6596	\$240	134	7	100	7	7
RG-L 6596 BK	\$310	134	7	100	7	7
RG-L 6596 ORB	\$310	134	7	100	7	7
RG-L 6596 PS	\$310	134	7	100	7	7
RG-L 6596 SB	\$310	134	7	100	7	7
RG-L 6596 SS	\$300	134	7	100	7	7
RG-T42-BK	\$270	147	2	6	6	3
RG-T42-ORB	\$270	147	2	6	6	3
RG-T42-PS	\$270	147	2	6	6	3
RG-T42-SB	\$270	147	2	6	6	3
RG-T42-SS	\$205	147	2	6	6	3
RG-T52-BK	\$320	148	2	6	6	3
RG-T52-ORB	\$320	148	2	6	6	3
RG-T52-PS	\$320	148	2	6	6	3
RG-T52-SB	\$320	148	2	6	6	3
RG-T52-SS	\$240	148	2	6	6	3
RK 5 BK	\$510	71	2	6	6	6
RK 5 ORB	\$510	71	2	6	6	6
RK 5 PS	\$510	71	2	6	6	6
RK 5 SB	\$510	71	2	6	6	6
RK 5 SS	\$390	71	2	6	6	6
RKD 5-2A BK	\$575	71	3	6	6	6
RKD 5-2A ORB	\$575	71	3	6	6	6
RKD 5-2A PS	\$575	71	3	6	6	6
RKD 5-2A SB	\$575	71	3	6	6	6
RKD 5-2A SS	\$455	71	3	6	6	6
RKD 5-2H BK	\$595	71	6	6	6	6
RKD 5-2H ORB	\$595	71	6	6	6	6
RKD 5-2H PS	\$595	71	6	6	6	6
RKD 5-2H SB	\$595	71	6	6	6	6
RKD 5-2H SS	\$475	71	6	6	6	6
RKD 5-2I BK	\$595	71	6	6	6	6
RKD 5-2I ORB	\$595	71	6	6	6	6
RKD 5-2I PS	\$595	71	6	6	6	6
RKD 5-2I SB	\$595	71	6	6	6	6
RKD 5-2I SS	\$475	71	6	6	6	6
RKD 5-2P BK	\$575	71	3	6	6	6
RKD 5-2P ORB	\$575	71	3	6	6	6
RKD 5-2P PS	\$575	71	3	6	6	6
RKD 5-2P SB	\$575	71	3	6	6	6
RKD 5-2P SS	\$455	71	3	6	6	6
RKD 5-3A BK	\$785	71	5	9	9	7
RKD 5-3A ORB	\$785	71	5	9	9	7
RKD 5-3A PS	\$785	71	5	9	9	7
RKD 5-3A SB	\$785	71	5	9	9	7
RKD 5-3A SS	\$665	71	5	9	9	7
RKD 5-3I BK	\$785	71	10	9	9	7
RKD 5-3I ORB	\$785	71	10	9	9	7

Price Sheet & Index

SKU	List Price	Page #	Shipping Dimensions			
			Lbs	L	W	H
RKD 5-3I PS	\$785	71	10	9	9	7
RKD 5-3I SB	\$785	71	10	9	9	7
RKD 5-3I SS	\$665	71	10	9	9	7
RKD 5-3P BK	\$785	71	5	9	9	7
RKD 5-3P ORB	\$785	71	5	9	9	7
RKD 5-3P PS	\$785	71	5	9	9	7
RKD 5-3P SB	\$785	71	5	9	9	7
RKD 5-3P SS	\$665	71	5	9	9	7
RKDB 5-A BK	\$635	71	6	7	7	13
RKDB 5-A ORB	\$635	71	6	7	7	13
RKDB 5-A PS	\$635	71	6	7	7	13
RKDB 5-A SB	\$635	71	6	7	7	13
RKDB 5-A SS	\$515	71	6	7	7	13
RKDB 5-P BK	\$635	71	6	7	7	13
RKDB 5-P ORB	\$635	71	6	7	7	13
RKDB 5-P PS	\$635	71	6	7	7	13
RKDB 5-P SB	\$635	71	6	7	7	13
RKDB 5-P SS	\$515	71	6	7	7	13
RKDB 5-S BK	\$735	71	8	7	7	13
RKDB 5-S ORB	\$735	71	8	7	7	13
RKDB 5-S PS	\$735	71	8	7	7	13
RKDB 5-S SB	\$735	71	8	7	7	13
RKDB 5-S SS	\$615	71	8	7	7	13
RKS 5 BK	\$170	149	1	6	6	2
RKS 5 ORB	\$170	149	1	6	6	2
RKS 5 PS	\$170	149	1	6	6	2
RKS 5 SB	\$170	149	1	6	6	2
RKS 5 SS	\$130	149	1	6	6	2
RM 5 BK	\$510	66	2	7	7	7
RM 5 ORB	\$510	66	2	7	7	7
RM 5 PS	\$510	66	2	7	7	7
RM 5 SB	\$510	66	2	7	7	7
RM 5 SS	\$390	66	2	7	7	7
RMD 5-2A BK	\$575	66	3	6	6	6
RMD 5-2A ORB	\$575	66	3	6	6	6
RMD 5-2A PS	\$575	66	3	6	6	6
RMD 5-2A SB	\$575	66	3	6	6	6
RMD 5-2A SS	\$455	66	3	6	6	6
RMD 5-2H BK	\$595	66	6	6	6	6
RMD 5-2H ORB	\$595	66	6	6	6	6
RMD 5-2H PS	\$595	66	6	6	6	6
RMD 5-2H SB	\$595	66	6	6	6	6
RMD 5-2H SS	\$475	66	6	6	6	6
RMD 5-2I BK	\$595	66	6	6	6	6
RMD 5-2I ORB	\$595	66	6	6	6	6
RMD 5-2I PS	\$595	66	6	6	6	6
RMD 5-2I SB	\$595	66	6	6	6	6
RMD 5-2I SS	\$475	66	6	6	6	6
RMD 5-2P BK	\$575	66	3	6	6	6
RMD 5-2P ORB	\$575	66	3	6	6	6
RMD 5-2P PS	\$575	66	3	6	6	6
RMD 5-2P SB	\$575	66	3	6	6	6
RMD 5-2P SS	\$455	66	3	6	6	6
RMD 5-3A BK	\$785	66	5	9	9	7
RMD 5-3A ORB	\$785	66	5	9	9	7
RMD 5-3A PS	\$785	66	5	9	9	7
RMD 5-3A SB	\$785	66	5	9	9	7
RMD 5-3A SS	\$665	66	5	9	9	7
RMD 5-3I BK	\$785	66	10	9	9	7
RMD 5-3I ORB	\$785	66	10	9	9	7
RMD 5-3I PS	\$785	66	10	9	9	7
RMD 5-3I SB	\$785	66	10	9	9	7
RMD 5-3I SS	\$665	66	10	9	9	7
RMD 5-3P BK	\$785	66	5	9	9	7
RMD 5-3P ORB	\$785	66	5	9	9	7
RMD 5-3P PS	\$785	66	5	9	9	7
RMD 5-3P SB	\$785	66	5	9	9	7
RMD 5-3P SS	\$665	66	5	9	9	7
RMDB 5-A BK	\$635	66	6	7	7	13
RMDB 5-A ORB	\$635	66	6	7	7	13
RMDB 5-A PS	\$635	66	6	7	7	13
RMDB 5-A SB	\$635	66	6	7	7	13
RMDB 5-A SS	\$515	66	6	7	7	13
RMDB 5-P BK	\$635	66	6	7	7	13
RMDB 5-P ORB	\$635	66	6	7	7	13
RMDB 5-P PS	\$635	66	6	7	7	13
RMDB 5-P SB	\$635	66	6	7	7	13
RMDB 5-P SS	\$515	66	6	7	7	13
RMDB 5-S BK	\$735	66	8	7	7	13
RMDB 5-S ORB	\$735	66	8	7	7	13
RMDB 5-S PS	\$735	66	8	7	7	13
RMDB 5-S SB	\$735	66	8	7	7	13
RMDB 5-S SS	\$615	66	8	7	7	13
RMG 5	\$5	149	1	6	6	2
RMS 5 BK	\$170	149	1	6	6	2
RMS 5 ORB	\$170	149	1	6	6	2
RMS 5 PS	\$170	149	1	6	6	2
RMS 5 SB	\$170	149	1	6	6	2

SKU	List Price	Page #	Shipping Dimensions			
			Lbs	L	W	H
RMS 5 SS	\$130	149	1	6	6	2
RN 5 BK	\$510	77	2	6	6	6
RN 5 ORB	\$510	77	2	6	6	6
RN 5 PS	\$510	77	2	6	6	6
RN 5 SB	\$510	77	2	6	6	6
RN 5 SS	\$390	77	2	6	6	6
RND 5-2A BK	\$575	77	3	6	6	6
RND 5-2A ORB	\$575	77	3	6	6	6
RND 5-2A PS	\$575	77	3	6	6	6
RND 5-2A SB	\$575	77	3	6	6	6
RND 5-2A SS	\$455	77	3	6	6	6
RND 5-2H BK	\$595	77	6	6	6	6
RND 5-2H ORB	\$595	77	6	6	6	6
RND 5-2H PS	\$595	77	6	6	6	6
RND 5-2H SB	\$595	77	6	6	6	6
RND 5-2H SS	\$475	77	6	6	6	6
RND 5-2I BK	\$595	77	6	6	6	6
RND 5-2I ORB	\$595	77	6	6	6	6
RND 5-2I PS	\$595	77	6	6	6	6
RND 5-2I SB	\$595	77	6	6	6	6
RND 5-2I SS	\$475	77	6	6	6	6
RND 5-2P BK	\$575	77	3	6	6	6
RND 5-2P ORB	\$575	77	3	6	6	6
RND 5-2P PS	\$575	77	3	6	6	6
RND 5-2P SB	\$575	77	3	6	6	6
RND 5-2P SS	\$455	77	3	6	6	6
RND 5-3A BK	\$785	77	5	9	9	7
RND 5-3A ORB	\$785	77	5	9	9	7
RND 5-3A PS	\$785	77	5	9	9	7
RND 5-3A SB	\$785	77	5	9	9	7
RND 5-3A SS	\$665	77	5	9	9	7
RND 5-3I BK	\$785	77	10	9	9	7
RND 5-3I ORB	\$785	77	10	9	9	7
RND 5-3I PS	\$785	77	10	9	9	7
RND 5-3I SB	\$785	77	10	9	9	7
RND 5-3I SS	\$665	77	10	9	9	7
RND 5-3P BK	\$785	77	5	9	9	7
RND 5-3P ORB	\$785	77	5	9	9	7
RND 5-3P PS	\$785	77	5	9	9	7
RND 5-3P SB	\$785	77	5	9	9	7
RND 5-3P SS	\$665	77	5	9	9	7
RNDB 5-A BK	\$635	77	5	13	13	7
RNDB 5-A ORB	\$635	77	5	13	13	7
RNDB 5-A PS	\$635	77	5	13	13	7
RNDB 5-A SB	\$635	77	5	13	13	7
RNDB 5-A SS	\$515	77	5	13	13	7
RNDB 5-P BK	\$635	77	5	13	13	7
RNDB 5-P ORB	\$635	77	5	13	13	7
RNDB 5-P PS	\$635	77	5	13	13	7
RNDB 5-P SB	\$635	77	5	13	13	7
RNDB 5-P SS	\$515	77	6	13	13	7
RNDB 5-S BK	\$735	77	8	7	7	13
RNDB 5-S ORB	\$735	77	8	7	7	13
RNDB 5-S PS	\$735	77	8	7	7	13
RNDB 5-S SB	\$735	77	8	7	7	13
RNDB 5-S SS	\$615	77	8	7	7	13
RNS 5 BK	\$170	149	1	6	6	2
RNS 5 ORB	\$170	149	1	6	6	2
RNS 5 PS	\$170	149	1	6	6	2
RNS 5 SB	\$170	149	1	6	6	2
RNS 5 SS	\$130	149	1	6	6	2
RQ 5 BK	\$510	65	2	6	6	6
RQ 5 ORB	\$510	65	2	6	6	6
RQ 5 PS	\$510	65	2	6	6	6
RQ 5 SB	\$510	65	2	6	6	6
RQ 5 SS	\$390	65	2	6	6	6
RQD 5-2A BK	\$575	65	3	6	6	6
RQD 5-2A ORB	\$575	65	3	6	6	6
RQD 5-2A PS	\$575	65	3	6	6	6
RQD 5-2A SB	\$575	65	3	6	6	6
RQD 5-2A SS	\$455	65	3	6	6	6
RQD 5-2H BK	\$595	65	6	6	6	6
RQD 5-2H ORB	\$595	65	6	6	6	6
RQD 5-2H PS	\$595	65	6	6	6	6
RQD 5-2H SB	\$595	65	6	6	6	6
RQD 5-2H SS	\$475	65	6	6	6	6
RQD 5-2I BK	\$595	65	6	6	6	6
RQD 5-2I ORB	\$595	65	6	6	6	6
RQD 5-2I PS	\$595	65	6	6	6	6
RQD 5-2I SB	\$595	65	6	6	6	6
RQD 5-2I SS	\$475	65	6	6	6	6
RQD 5-2P BK	\$575	65	3	6	6	6
RQD 5-2P ORB	\$575	65	3	6	6	6
RQD 5-2P PS	\$575	65	3	6	6	6
RQD 5-2P SB	\$575	65	3	6	6	6
RQD 5-2P SS	\$455	65	3	6	6	6
RQD 5-3A BK	\$785	65	5	9	9	7
RQD 5-3A ORB	\$785	65	5	9	9	7

Price Sheet & Index

SKU	List Price	Page	Shipping Dimensions			
			#	Lbs	L	W
RQD 5-3A PS	\$785	65	5	9	9	7
RQD 5-3A SB	\$785	65	5	9	9	7
RQD 5-3A SS	\$665	65	5	9	9	7
RQD 5-3I BK	\$785	65	10	9	9	7
RQD 5-3I ORB	\$785	65	10	9	9	7
RQD 5-3I PS	\$785	65	10	9	9	7
RQD 5-3I SB	\$785	65	10	9	9	7
RQD 5-3I SS	\$665	65	10	9	9	7
RQD 5-3P BK	\$785	65	5	9	9	7
RQD 5-3P ORB	\$785	65	5	9	9	7
RQD 5-3P PS	\$785	65	5	9	9	7
RQD 5-3P SB	\$785	65	5	9	9	7
RQD 5-3P SS	\$665	65	5	9	9	7
RQDB 5-A BK	\$635	65	6	7	7	13
RQDB 5-A ORB	\$635	65	6	7	7	13
RQDB 5-A PS	\$635	65	6	7	7	13
RQDB 5-A SB	\$635	65	6	7	7	13
RQDB 5-A SS	\$515	65	6	7	7	13
RQDB 5-P BK	\$635	65	6	7	7	13
RQDB 5-P ORB	\$635	65	6	7	7	13
RQDB 5-P PS	\$635	65	6	7	7	13
RQDB 5-P SB	\$635	65	6	7	7	13
RQDB 5-P SS	\$515	65	6	7	7	13
RQDB 5-S BK	\$735	65	8	7	7	13
RQDB 5-S ORB	\$735	65	8	7	7	13
RQDB 5-S PS	\$735	65	8	7	7	13
RQDB 5-S SB	\$735	65	8	7	7	13
RQDB 5-S SS	\$615	65	8	7	7	13
RQS 5 BK	\$170	149	1	6	6	1
RQS 5 ORB	\$170	149	1	6	6	1
RQS 5 PS	\$170	149	1	6	6	1
RQS 5 SB	\$170	149	1	6	6	1
RQS 5 SS	\$130	149	1	6	6	1
RS2	\$150		1	6	6	1
RV 5 BK	\$510	72	2	6	6	6
RV 5 ORB	\$510	72	2	6	6	6
RV 5 PS	\$510	72	2	6	6	6
RV 5 SB	\$510	72	2	6	6	6
RV 5 SS	\$390	72	2	6	6	6
RVD 5-2A BK	\$575	72	3	6	6	6
RVD 5-2A ORB	\$575	72	3	6	6	6
RVD 5-2A PS	\$575	72	3	6	6	6
RVD 5-2A SB	\$575	72	3	6	6	6
RVD 5-2A SS	\$455	72	3	6	6	6
RVD 5-2H BK	\$595	72	6	6	6	6
RVD 5-2H ORB	\$595	72	6	6	6	6
RVD 5-2H PS	\$595	72	6	6	6	6
RVD 5-2H SB	\$595	72	6	6	6	6
RVD 5-2H SS	\$475	72	6	6	6	6
RVD 5-2I BK	\$595	72	6	6	6	6
RVD 5-2I ORB	\$595	72	6	6	6	6
RVD 5-2I PS	\$595	72	6	6	6	6
RVD 5-2I SB	\$595	72	6	6	6	6
RVD 5-2I SS	\$475	72	6	6	6	6
RVD 5-2P BK	\$575	72	3	6	6	6
RVD 5-2P ORB	\$575	72	3	6	6	6
RVD 5-2P PS	\$575	72	3	6	6	6
RVD 5-2P SB	\$575	72	3	6	6	6
RVD 5-2P SS	\$455	72	3	6	6	6
RVD 5-3A BK	\$785	72	5	9	9	7
RVD 5-3A ORB	\$785	72	5	9	9	7
RVD 5-3A PS	\$785	72	5	9	9	7
RVD 5-3A SB	\$785	72	5	9	9	7
RVD 5-3A SS	\$665	72	5	9	9	7
RVD 5-3I BK	\$785	72	10	9	9	7
RVD 5-3I ORB	\$785	72	10	9	9	7
RVD 5-3I PS	\$785	72	10	9	9	7
RVD 5-3I SB	\$785	72	10	9	9	7
RVD 5-3I SS	\$665	72	10	9	9	7
RVD 5-3P BK	\$785	72	5	9	9	7
RVD 5-3P ORB	\$785	72	5	9	9	7
RVD 5-3P PS	\$785	72	5	9	9	7
RVD 5-3P SB	\$785	72	5	9	9	7
RVD 5-3P SS	\$665	72	5	9	9	7
RVDB 5-A BK	\$635	72	6	7	7	13
RVDB 5-A ORB	\$635	72	6	7	7	13
RVDB 5-A PS	\$635	72	6	7	7	13
RVDB 5-A SB	\$635	72	6	7	7	13
RVDB 5-A SS	\$515	72	6	7	7	13
RVDB 5-P BK	\$635	72	6	7	7	13
RVDB 5-P ORB	\$635	72	6	7	7	13
RVDB 5-P PS	\$635	72	6	7	7	13
RVDB 5-P SB	\$635	72	6	7	7	13
RVDB 5-P SS	\$515	72	6	7	7	13
RVDB 5-S BK	\$735	72	8	7	7	13
RVDB 5-S ORB	\$735	72	8	7	7	13
RVDB 5-S PS	\$735	72	8	7	7	13
RVDB 5-S SB	\$735	72	8	7	7	13

SKU	List Price	Page	Shipping Dimensions			
			#	Lbs	L	W
RVDB 5-S SS	\$615	72	8	7	7	13
RVS 5 BK	\$170	149	1	6	6	2
RVS 5 ORB	\$170	149	1	6	6	2
RVS 5 PS	\$170	149	1	6	6	2
RVS 5 SB	\$170	149	1	6	6	2
RVS 5 SS	\$130	149	1	6	6	2
RW 5 BK	\$635	78	2	6	6	6
RW 5 ORB	\$635	78	2	6	6	6
RW 5 PS	\$635	78	2	6	6	6
RW 5 SB	\$635	78	2	6	6	6
RW 5 SS	\$515	78	2	6	6	6
RWD 5-2A BK	\$700	78	3	6	6	6
RWD 5-2A ORB	\$700	78	3	6	6	6
RWD 5-2A PS	\$700	78	3	6	6	6
RWD 5-2A SB	\$700	78	3	6	6	6
RWD 5-2A SS	\$580	78	3	6	6	6
RWD 5-2H BK	\$720	78	6	6	6	6
RWD 5-2H ORB	\$720	78	6	6	6	6
RWD 5-2H PS	\$720	78	6	6	6	6
RWD 5-2H SB	\$720	78	6	6	6	6
RWD 5-2H SS	\$600	78	6	6	6	6
RWD 5-2I BK	\$720	78	6	6	6	6
RWD 5-2I ORB	\$720	78	6	6	6	6
RWD 5-2I PS	\$720	78	6	6	6	6
RWD 5-2I SB	\$720	78	6	6	6	6
RWD 5-2I SS	\$600	78	6	6	6	6
RWD 5-2P BK	\$700	78	3	6	6	6
RWD 5-2P ORB	\$700	78	3	6	6	6
RWD 5-2P PS	\$700	78	3	6	6	6
RWD 5-2P SB	\$700	78	3	6	6	6
RWD 5-2P SS	\$580	78	3	6	6	6
RWD 5-3A BK	\$910	78	5	9	9	7
RWD 5-3A ORB	\$910	78	5	9	9	7
RWD 5-3A PS	\$910	78	5	9	9	7
RWD 5-3A SB	\$910	78	5	9	9	7
RWD 5-3A SS	\$790	78	5	9	9	7
RWD 5-3I BK	\$910	78	10	9	9	7
RWD 5-3I ORB	\$910	78	10	9	9	7
RWD 5-3I PS	\$910	78	10	9	9	7
RWD 5-3I SB	\$910	78	10	9	9	7
RWD 5-3I SS	\$790	78	10	9	9	7
RWD 5-3P BK	\$910	78	5	9	9	7
RWD 5-3P ORB	\$910	78	5	9	9	7
RWD 5-3P PS	\$910	78	5	9	9	7
RWD 5-3P SB	\$910	78	5	9	9	7
RWD 5-3P SS	\$790	78	5	9	9	7
RWDB 5-A BK	\$760	78	6	7	7	13
RWDB 5-A ORB	\$760	78	6	7	7	13
RWDB 5-A PS	\$760	78	6	7	7	13
RWDB 5-A SB	\$760	78	6	7	7	13
RWDB 5-A SS	\$640	78	6	7	7	13
RWDB 5-P BK	\$760	78	6	7	7	13
RWDB 5-P ORB	\$760	78	6	7	7	13
RWDB 5-P PS	\$760	78	6	7	7	13
RWDB 5-P SB	\$760	78	6	7	7	13
RWDB 5-P SS	\$640	78	6	7	7	13
RWDB 5-S BK	\$860	78	8	7	7	13
RWDB 5-S ORB	\$860	78	8	7	7	13
RWDB 5-S PS	\$860	78	8	7	7	13
RWDB 5-S SB	\$860	78	8	7	7	13
RWDB 5-S SS	\$740	78	8	7	7	13
RWS 5 BK	\$320	149	1	6	6	2
RWS 5 ORB	\$320	149	1	6	6	2
RWS 5 PS	\$320	149	1	6	6	2
RWS 5 SB	\$320	149	1	6	6	2
RWS 5 SS	\$255	149	1	6	6	2
S 32	\$10	129	1	4	4	4
S 50	\$10	129	1	4	4	4
S 65	\$10	131	1	4	4	4
SA 12532 BK	\$1095	145	8	37	7	7
SA 12532 ORB	\$1095	145	8	37	7	7
SA 12532 PS	\$1095	145	8	37	7	7
SA 12532 SB	\$1095	145	8	37	7	7
SA 12532 SS	\$810	145	8	37	7	7
SA 12536 BK	\$1260	145	9	41	7	7
SA 12536 ORB	\$1260	145	9	41	7	7
SA 12536 PS	\$1260	145	9	41	7	7
SA 12536 SB	\$1260	145	9	41	7	7
SA 12536 SS	\$930	145	9	41	7	7
SA 12542 BK	\$1515	145	11	47	7	7
SA 12542 ORB	\$1515	145	11	47	7	7
SA 12542 PS	\$1515	145	11	47	7	7
SA 12542 SB	\$1515	145	11	47	7	7
SA 12542 SS	\$1120	145	11	47	7	7
SA 12548 BK	\$1680	145	12	53	7	7
SA 12548 ORB	\$1680	145	12	53	7	7
SA 12548 PS	\$1680	145	12	53	7	7
SA 12548 SB	\$1680	145	12	53	7	7

Price Sheet & Index

SKU	List Price	Page #	Shipping Dimensions			
			Lbs	L	W	H
SA 12548 SS	\$1240	145	12	53	7	7
SA 12560 BK	\$2100	145	13	65	7	7
SA 12560 ORB	\$2100	145	13	65	7	7
SA 12560 PS	\$2100	145	13	65	7	7
SA 12560 SB	\$2100	145	13	65	7	7
SA 12560 SS	\$1550	145	13	65	7	7
SA 125C 0-36 BK	\$2205	123	9	41	7	7
SA 125C 0-36 ORB	\$2205	123	9	41	7	7
SA 125C 0-36 PS	\$2205	123	9	41	7	7
SA 125C 0-36 SB	\$2205	123	9	41	7	7
SA 125C 0-36 SS	\$1630	123	9	41	7	7
SA 125C 37-48 BK	\$2940	123	12	53	7	7
SA 125C 37-48 ORB	\$2940	123	12	53	7	7
SA 125C 37-48 PS	\$2940	123	12	53	7	7
SA 125C 37-48 SB	\$2940	123	12	53	7	7
SA 125C 37-48 SS	\$2170	123	12	53	7	7
SA 125C 49-60 BK	\$3675	123	13	64	7	7
SA 125C 49-60 ORB	\$3675	123	13	64	7	7
SA 125C 49-60 PS	\$3675	123	13	64	7	7
SA 125C 49-60 SB	\$3675	123	13	64	7	7
SA 125C 49-60 SS	\$2715	123	13	64	7	7
SA 125C 61-72 BK	\$4410	123	16	76	7	7
SA 125C 61-72 ORB	\$4410	123	16	76	7	7
SA 125C 61-72 PS	\$4410	123	16	76	7	7
SA 125C 61-72 SB	\$4410	123	16	76	7	7
SA 125C 61-72 SS	\$3255	123	16	76	7	7
SA 125C 73-84 BK	\$5145	123	19	88	7	7
SA 125C 73-84 ORB	\$5145	123	19	88	7	7
SA 125C 73-84 PS	\$5145	123	19	88	7	7
SA 125C 73-84 SB	\$5145	123	19	88	7	7
SA 125C 73-84 SS	\$3800	123	19	88	7	7
SA 125C 85-96 BK	\$5880	123	21	102	7	7
SA 125C 85-96 ORB	\$5880	123	21	102	7	7
SA 125C 85-96 PS	\$5880	123	21	102	7	7
SA 125C 85-96 SB	\$5880	123	21	102	7	7
SA 125C 85-96 SS	\$4340	123	21	102	7	7
SA 2532 BK	\$585	142	5	37	7	7
SA 2532 ORB	\$585	142	5	37	7	7
SA 2532 PS	\$585	142	5	37	7	7
SA 2532 SB	\$585	142	5	37	7	7
SA 2532 SS	\$465	142	5	37	7	7
SA 2536 BK	\$675	142	6	41	7	7
SA 2536 ORB	\$675	142	6	41	7	7
SA 2536 PS	\$675	142	6	41	7	7
SA 2536 SB	\$675	142	6	41	7	7
SA 2536 SS	\$525	142	6	41	7	7
SA 2542 BK	\$900	142	7	47	7	7
SA 2542 ORB	\$900	142	7	47	7	7
SA 2542 PS	\$900	142	7	47	7	7
SA 2542 SB	\$900	142	7	47	7	7
SA 2542 SS	\$700	142	7	47	7	7
SA 2548 BK	\$1125	142	8	53	7	7
SA 2548 ORB	\$1125	142	8	53	7	7
SA 2548 PS	\$1125	142	8	53	7	7
SA 2548 SB	\$1125	142	8	53	7	7
SA 2548 SS	\$875	142	8	53	7	7
SA 2560 BK	\$1350	142	9	65	7	7
SA 2560 ORB	\$1350	142	9	65	7	7
SA 2560 PS	\$1350	142	9	65	7	7
SA 2560 SB	\$1350	142	9	65	7	7
SA 2560 SS	\$1050	142	9	65	7	7
SA 25C 0-36 BK	\$1185	123	6	41	7	7
SA 25C 0-36 ORB	\$1185	123	6	41	7	7
SA 25C 0-36 PS	\$1185	123	6	41	7	7
SA 25C 0-36 SB	\$1185	123	6	41	7	7
SA 25C 0-36 SS	\$920	123	6	41	7	7
SA 25C 37-48 BK	\$1575	123	7	53	7	7
SA 25C 37-48 ORB	\$1575	123	7	53	7	7
SA 25C 37-48 PS	\$1575	123	7	53	7	7
SA 25C 37-48 SB	\$1575	123	7	53	7	7
SA 25C 37-48 SS	\$1225	123	7	53	7	7
SA 25C 49-60 BK	\$1970	123	8	64	7	7
SA 25C 49-60 ORB	\$1970	123	8	64	7	7
SA 25C 49-60 PS	\$1970	123	8	64	7	7
SA 25C 49-60 SB	\$1970	123	8	64	7	7
SA 25C 49-60 SS	\$1535	123	8	64	7	7
SA 25C 61-72 BK	\$2365	123	10	76	7	7
SA 25C 61-72 ORB	\$2365	123	10	76	7	7
SA 25C 61-72 PS	\$2365	123	10	76	7	7
SA 25C 61-72 SB	\$2365	123	10	76	7	7
SA 25C 61-72 SS	\$1840	123	10	76	7	7
SA 25C 73-84 BK	\$2760	123	13	88	7	7
SA 25C 73-84 ORB	\$2760	123	13	88	7	7
SA 25C 73-84 PS	\$2760	123	13	88	7	7
SA 25C 73-84 SB	\$2760	123	13	88	7	7
SA 25C 73-84 SS	\$2145	123	13	88	7	7
SA 25C 85-96 BK	\$3150	123	15	102	7	7
SA 25C 85-96 ORB	\$3150	123	15	102	7	7

SKU	List Price	Page #	Shipping Dimensions			
			Lbs	L	W	H
SA 25C 85-96 PS	\$3150	123	15	102	7	7
SA 25C 85-96 SB	\$3150	123	15	102	7	7
SA 25C 85-96 SS	\$2450	123	15	102	7	7
SA 3836 BK	\$720	129	5	41	7	7
SA 3836 ORB	\$720	129	5	41	7	7
SA 3836 PS	\$720	129	5	41	7	7
SA 3836 SB	\$720	129	5	41	7	7
SA 3836 SS	\$570	129	5	41	7	7
SA 3848 BK	\$960	129	7	53	7	7
SA 3848 ORB	\$960	129	7	53	7	7
SA 3848 PS	\$960	129	7	53	7	7
SA 3848 SB	\$960	129	7	53	7	7
SA 3848 SS	\$760	129	7	53	7	7
SA 3860 BK	\$1200	129	9	65	7	7
SA 3860 ORB	\$1200	129	9	65	7	7
SA 3860 PS	\$1200	129	9	65	7	7
SA 3860 SB	\$1200	129	9	65	7	7
SA 3860 SS	\$950	129	9	65	7	7
SA 3872 BK	\$1440	129	11	78	7	7
SA 3872 ORB	\$1440	129	11	78	7	7
SA 3872 PS	\$1440	129	11	78	7	7
SA 3872 SB	\$1440	129	11	78	7	7
SA 3872 SS	\$1140	129	11	78	7	7
SA 6525 BK	\$550	154	5	37	7	7
SA 6525 ORB	\$550	154	5	37	7	7
SA 6525 PS	\$550	154	5	37	7	7
SA 6525 SB	\$550	154	5	37	7	7
SA 6525 SS	\$450	154	5	37	7	7
SA 6536 BK	\$885	133	6	41	7	7
SA 6536 ORB	\$885	133	6	41	7	7
SA 6536 PS	\$885	133	6	41	7	7
SA 6536 SB	\$885	133	6	41	7	7
SA 6536 SS	\$735	133	6	41	7	7
SA 6548 BK	\$1180	133	8	53	7	7
SA 6548 ORB	\$1180	133	8	53	7	7
SA 6548 PS	\$1180	133	8	53	7	7
SA 6548 SB	\$1180	133	8	53	7	7
SA 6548 SS	\$980	133	8	53	7	7
SA 6557 BK	\$1240	154	7	65	7	7
SA 6557 ORB	\$1240	154	7	65	7	7
SA 6557 PS	\$1240	154	7	65	7	7
SA 6557 SB	\$1240	154	7	65	7	7
SA 6557 SS	\$1000	154	7	65	7	7
SA 6560 BK	\$1475	133	8	65	7	7
SA 6560 ORB	\$1475	133	8	65	7	7
SA 6560 PS	\$1475	133	8	65	7	7
SA 6560 SB	\$1475	133	8	65	7	7
SA 6560 SS	\$1225	133	8	65	7	7
SA 6572 BK	\$1770	133	11	78	7	7
SA 6572 ORB	\$1770	133	11	78	7	7
SA 6572 PS	\$1770	133	11	78	7	7
SA 6572 SB	\$1770	133	11	78	7	7
SA 6572 SS	\$1470	133	11	78	7	7
SA 65C 0-36 BK	\$1550	123	6	41	7	7
SA 65C 0-36 ORB	\$1550	123	6	41	7	7
SA 65C 0-36 PS	\$1550	123	5	41	7	7
SA 65C 0-36 SB	\$1550	123	6	41	7	7
SA 65C 0-36 SS	\$1290	123	5	41	7	7
SA 65C 37-48 BK	\$2065	123	8	53	7	7
SA 65C 37-48 ORB	\$2065	123	8	53	7	7
SA 65C 37-48 PS	\$2065	123	7	53	7	7
SA 65C 37-48 SB	\$2065	123	8	53	7	7
SA 65C 37-48 SS	\$1715	123	7	53	7	7
SA 65C 49-60 BK	\$2585	123	9	64	7	7
SA 65C 49-60 ORB	\$2585	123	9	64	7	7
SA 65C 49-60 PS	\$2585	123	8	65	7	7
SA 65C 49-60 SB	\$2585	123	9	64	7	7
SA 65C 49-60 SS	\$2145	123	8	65	7	7
SA 65C 61-72 BK	\$3100	123	11	76	7	7
SA 65C 61-72 ORB	\$3100	123	11	76	7	7
SA 65C 61-72 PS	\$3100	123	9	76	7	7
SA 65C 61-72 SB	\$3100	123	11	76	7	7
SA 65C 61-72 SS	\$2575	123	9	76	7	7
SA 65C 73-84 BK	\$3615	123	13	88	7	7
SA 65C 73-84 ORB	\$3615	123	13	88	7	7
SA 65C 73-84 PS	\$3615	123	13	88	7	7
SA 65C 73-84 SB	\$3615	123	13	88	7	7
SA 65C 73-84 SS	\$3005	123	13	88	7	7
SA 65C 85-96 BK	\$4130	123	15	102	7	7
SA 65C 85-96 ORB	\$4130	123	15	102	7	7
SA 65C 85-96 PS	\$4130	123	15	102	7	7
SA 65C 85-96 SB	\$4130	123	15	102	7	7
SA 65C 85-96 SS	\$3430	123	15	102	7	7
SAG 10048 BK	\$1395	23	12	53	7	7
SAG 10048 ORB	\$1395	23	12	53	7	7
SAG 10048 PS	\$1395	23	12	53	7	7
SAG 10048 SB	\$1395	23	12	53	7	7
SAG 10048 SS	\$1190	23	12	53	7	7

Price Sheet & Index

SKU	List Price	Page #	Shipping Dimensions			
			Lbs	L	W	H
SAG 10096 BK	\$2770	23	17	102	7	7
SAG 10096 ORB	\$2770	23	17	102	7	7
SAG 10096 PS	\$2770	23	17	102	7	7
SAG 10096 SB	\$2770	23	17	102	7	7
SAG 10096 SS	\$2365	23	17	102	7	7
SAG 3836 BK	\$860	13	9	41	7	7
SAG 3836 ORB	\$860	13	9	41	7	7
SAG 3836 PS	\$860	13	9	41	7	7
SAG 3836 SB	\$860	13	9	41	7	7
SAG 3836 SS	\$710	13	9	41	7	7
SAG 3848 BK	\$1135	13	11	53	7	7
SAG 3848 ORB	\$1135	13	11	53	7	7
SAG 3848 PS	\$1135	13	11	53	7	7
SAG 3848 SB	\$1135	13	11	53	7	7
SAG 3848 SS	\$925	13	11	53	7	7
SAG 3860 BK	\$1405	13	14	65	7	7
SAG 3860 ORB	\$1405	13	14	65	7	7
SAG 3860 PS	\$1405	13	14	65	7	7
SAG 3860 SB	\$1405	13	14	65	7	7
SAG 3860 SS	\$1145	13	14	65	7	7
SAG 3872 BK	\$1705	13	17	78	7	7
SAG 3872 ORB	\$1705	13	17	78	7	7
SAG 3872 PS	\$1705	13	17	78	7	7
SAG 3872 SB	\$1705	13	17	78	7	7
SAG 3872 SS	\$1395	13	17	78	7	7
SAG 3896 BK	\$2255	13	22	100	7	7
SAG 3896 ORB	\$2255	13	22	100	7	7
SAG 3896 PS	\$2255	13	22	100	7	7
SAG 3896 SB	\$2255	13	22	100	7	7
SAG 3896 SS	\$1845	13	22	100	7	7
SAG 6536 BK	\$1025	15	10	41	7	7
SAG 6536 ORB	\$1025	15	10	41	7	7
SAG 6536 PS	\$1025	15	10	41	7	7
SAG 6536 SB	\$1025	15	10	41	7	7
SAG 6536 SS	\$875	15	10	41	7	7
SAG 6548 BK	\$1355	15	13	53	7	7
SAG 6548 ORB	\$1355	15	13	53	7	7
SAG 6548 PS	\$1355	15	13	53	7	7
SAG 6548 SB	\$1355	15	13	53	7	7
SAG 6548 SS	\$1145	15	13	53	7	7
SAG 6560 BK	\$1680	15	16	65	7	7
SAG 6560 ORB	\$1680	15	16	65	7	7
SAG 6560 PS	\$1680	15	16	65	7	7
SAG 6560 SB	\$1680	15	16	65	7	7
SAG 6560 SS	\$1420	15	16	65	7	7
SAG 6572 BK	\$2035	15	19	78	7	7
SAG 6572 ORB	\$2035	15	19	78	7	7
SAG 6572 PS	\$2035	15	19	78	7	7
SAG 6572 SB	\$2035	15	19	78	7	7
SAG 6572 SS	\$1725	15	19	78	7	7
SAG 6596 BK	\$2695	15	25	102	7	7
SAG 6596 ORB	\$2695	15	25	102	7	7
SAG 6596 PS	\$2695	15	25	102	7	7
SAG 6596 SB	\$2695	15	25	102	7	7
SAG 6596 SS	\$2285	15	25	102	7	7
SAS 6536 BK	\$1425	25	12	41	7	7
SAS 6536 ORB	\$1425	25	12	41	7	7
SAS 6536 PS	\$1425	25	12	41	7	7
SAS 6536 SB	\$1425	25	12	41	7	7
SAS 6536 SS	\$1230	25	12	41	7	7
SAS 6548 BK	\$1855	25	14	53	7	7
SAS 6548 ORB	\$1855	25	14	53	7	7
SAS 6548 PS	\$1855	25	14	53	7	7
SAS 6548 SB	\$1855	25	14	53	7	7
SAS 6548 SS	\$1585	25	14	53	7	7
SAS 6560 BK	\$2285	25	17	65	7	7
SAS 6560 ORB	\$2285	25	17	65	7	7
SAS 6560 PS	\$2285	25	17	65	7	7
SAS 6560 SB	\$2285	25	17	65	7	7
SAS 6560 SS	\$1930	25	17	65	7	7
SAS 6572 BK	\$2920	25	22	78	7	7
SAS 6572 ORB	\$2920	25	22	78	7	7
SAS 6572 PS	\$2920	25	22	78	7	7
SAS 6572 SB	\$2920	25	22	78	7	7
SAS 6572 SS	\$2510	25	22	78	7	7
SAS 6596 BK	\$3780	25	32	99	12	7
SAS 6596 ORB	\$3780	25	32	99	12	7
SAS 6596 PS	\$3780	25	32	99	12	7
SAS 6596 SB	\$3780	25	32	99	12	7
SAS 6596 SS	\$3240	25	32	99	12	7
SAS 9936-A BK	\$1800	26	13	41	7	7
SAS 9936-A ORB	\$1800	26	13	41	7	7
SAS 9936-A PS	\$1800	26	13	41	7	7
SAS 9936-A SB	\$1800	26	13	41	7	7
SAS 9936-A SS	\$1605	26	13	41	7	7
SAS 9936-I BK	\$1800	26	13	41	7	7
SAS 9936-I ORB	\$1800	26	13	41	7	7
SAS 9936-I PS	\$1800	26	13	41	7	7

SKU	List Price	Page #	Shipping Dimensions			
			Lbs	L	W	H
SAS 9936-I SB	\$1800	26	13	41	7	7
SAS 9936-I SS	\$1605	26	13	41	7	7
SAS 9936-P BK	\$1800	26	13	41	7	7
SAS 9936-P ORB	\$1800	26	13	41	7	7
SAS 9936-P PS	\$1800	26	13	41	7	7
SAS 9936-P SB	\$1800	26	13	41	7	7
SAS 9936-P SS	\$1605	26	13	41	7	7
SAS 9948-A BK	\$2230	26	15	53	7	7
SAS 9948-A ORB	\$2230	26	15	53	7	7
SAS 9948-A PS	\$2230	26	15	53	7	7
SAS 9948-A SB	\$2230	26	15	53	7	7
SAS 9948-A SS	\$1960	26	15	53	7	7
SAS 9948-I BK	\$2230	26	15	53	7	7
SAS 9948-I ORB	\$2230	26	15	53	7	7
SAS 9948-I PS	\$2230	26	15	53	7	7
SAS 9948-I SB	\$2230	26	15	53	7	7
SAS 9948-I SS	\$1960	26	15	53	7	7
SAS 9948-P BK	\$2230	26	15	53	7	7
SAS 9948-P ORB	\$2230	26	15	53	7	7
SAS 9948-P PS	\$2230	26	15	53	7	7
SAS 9948-P SB	\$2230	26	15	53	7	7
SAS 9948-P SS	\$1960	26	15	53	7	7
SAS 9960-A BK	\$2660	26	17	65	7	7
SAS 9960-A ORB	\$2660	26	17	65	7	7
SAS 9960-A PS	\$2660	26	17	65	7	7
SAS 9960-A SB	\$2660	26	17	65	7	7
SAS 9960-A SS	\$2305	26	17	65	7	7
SAS 9960-I BK	\$2660	26	17	65	7	7
SAS 9960-I ORB	\$2660	26	17	65	7	7
SAS 9960-I PS	\$2660	26	17	65	7	7
SAS 9960-I SB	\$2660	26	17	65	7	7
SAS 9960-I SS	\$2305	26	17	65	7	7
SAS 9960-P BK	\$2660	26	17	65	7	7
SAS 9960-P ORB	\$2660	26	17	65	7	7
SAS 9960-P PS	\$2660	26	17	65	7	7
SAS 9960-P SB	\$2660	26	17	65	7	7
SAS 9960-P SS	\$2305	26	17	65	7	7
SAS 9972-A BK	\$3670	26	20	78	7	7
SAS 9972-A ORB	\$3670	26	20	78	7	7
SAS 9972-A PS	\$3670	26	20	78	7	7
SAS 9972-A SB	\$3670	26	20	78	7	7
SAS 9972-A SS	\$3260	26	20	78	7	7
SAS 9972-I BK	\$3670	26	20	78	7	7
SAS 9972-I ORB	\$3670	26	20	78	7	7
SAS 9972-I PS	\$3670	26	20	78	7	7
SAS 9972-I SB	\$3670	26	20	78	7	7
SAS 9972-I SS	\$3260	26	20	78	7	7
SAS 9972-P BK	\$3670	26	20	78	7	7
SAS 9972-P ORB	\$3670	26	20	78	7	7
SAS 9972-P PS	\$3670	26	20	78	7	7
SAS 9972-P SB	\$3670	26	20	78	7	7
SAS 9972-P SS	\$3260	26	20	78	7	7
SAS 9996-A BK	\$4530	26	33	99	12	7
SAS 9996-A ORB	\$4530	26	33	99	12	7
SAS 9996-A PS	\$4530	26	33	99	12	7
SAS 9996-A SB	\$4530	26	33	99	12	7
SAS 9996-A SS	\$3990	26	33	99	12	7
SAS 9996-I BK	\$4530	26	33	99	12	7
SAS 9996-I ORB	\$4530	26	33	99	12	7
SAS 9996-I PS	\$4530	26	33	99	12	7
SAS 9996-I SS	\$3990	26	33	99	12	7
SAS 9996-P BK	\$4530	26	33	99	12	7
SAS 9996-P ORB	\$4530	26	33	99	12	7
SAS 9996-P PS	\$4530	26	33	99	12	7
SAS 9996-P SB	\$4530	26	33	99	12	7
SAS 9996-P SS	\$3990	26	33	99	12	7
SC 6548 BK	\$440	137	6	53	7	7
SC 6548 ORB	\$440	137	6	53	7	7
SC 6548 PS	\$440	137	6	53	7	7
SC 6548 SB	\$440	137	6	53	7	7
SC 6548 SS	\$380	137	6	53	7	7
SC 6596 BK	\$880	137	10	102	7	7
SC 6596 ORB	\$880	137	10	102	7	7
SC 6596 PS	\$880	137	10	102	7	7
SC 6596 SB	\$880	137	10	102	7	7
SC 6596 SS	\$760	137	10	102	7	7
SDG 3848 BK	\$615	17	8	53	7	7
SDG 3848 ORB	\$615	17	8	53	7	7
SDG 3848 PS	\$615	17	8	53	7	7
SDG 3848 SB	\$615	17	8	53	7	7
SDG 3848 SS	\$425	17	8	53	7	7
SDG 3860 BK	\$755	17	9	65	7	7
SDG 3860 ORB	\$755	17	9	65	7	7
SDG 3860 PS	\$755	17	9	65	7	7
SDG 3860 SB	\$755	17	9	65	7	7
SDG 3860 SS	\$520	17	9	65	7	7
SDG 3896 BK	\$1215	17	16	102	7	7

Price Sheet & Index

SKU	List Price	Page #	Shipping Dimensions			
			Lbs	L	W	H
SDG 3896 ORB	\$1215	17	16	102	7	7
SDG 3896 PS	\$1215	17	16	102	7	7
SDG 3896 SB	\$1215	17	16	102	7	7
SDG 3896 SS	\$845	17	16	102	7	7
SDG 6548 BK	\$615	19	8	53	7	7
SDG 6548 ORB	\$615	19	8	53	7	7
SDG 6548 PS	\$615	19	8	53	7	7
SDG 6548 SB	\$615	19	8	53	7	7
SDG 6548 SS	\$425	19	8	53	7	7
SDG 6560 BK	\$755	19	10	65	7	7
SDG 6560 ORB	\$755	19	10	65	7	7
SDG 6560 PS	\$755	19	10	65	7	7
SDG 6560 SB	\$755	19	10	65	7	7
SDG 6560 SS	\$520	19	10	65	7	7
SDG 6596 BK	\$1215	19	18	102	7	7
SDG 6596 ORB	\$1215	19	18	102	7	7
SDG 6596 PS	\$1215	19	18	102	7	7
SDG 6596 SB	\$1215	19	18	102	7	7
SDG 6596 SS	\$845	19	18	102	7	7
SE 65 BK	\$60	137	1	4	4	4
SE 65 ORB	\$60	137	1	4	4	4
SE 65 PS	\$60	137	1	4	4	4
SE 65 SB	\$60	137	1	4	4	4
SE 65 SS	\$50	137	1	4	4	4
SHA 65 BK	\$140	138	1	6	6	2
SHA 65 ORB	\$140	138	1	6	6	2
SHA 65 PS	\$140	138	1	6	6	2
SHA 65 SB	\$140	138	1	6	6	2
SHA 65 SS	\$130	138	1	6	6	2
SL 32	\$10	129	1	4	4	4
SL 65	\$10	133	1	4	4	4
SLA 65 BK	\$140	137	1	6	6	2
SLA 65 ORB	\$140	137	1	6	6	2
SLA 65 PS	\$140	137	1	6	6	2
SLA 65 SB	\$140	137	1	6	6	2
SLA 65 SS	\$130	137	1	6	6	2
S-LAG 3836 BK	\$860	14	8	41	7	7
S-LAG 3836 ORB	\$860	14	8	41	7	7
S-LAG 3836 PS	\$860	14	8	41	7	7
S-LAG 3836 SB	\$860	14	8	41	7	7
S-LAG 3836 SS	\$710	14	8	41	7	7
S-LAG 3848 BK	\$1135	14	9	53	7	7
S-LAG 3848 ORB	\$1135	14	9	53	7	7
S-LAG 3848 PS	\$1135	14	9	53	7	7
S-LAG 3848 SB	\$1135	14	9	53	7	7
S-LAG 3848 SS	\$925	14	9	53	7	7
S-LAG 3860 BK	\$1405	14	11	65	7	7
S-LAG 3860 ORB	\$1405	14	11	65	7	7
S-LAG 3860 PS	\$1405	14	11	65	7	7
S-LAG 3860 SB	\$1405	14	11	65	7	7
S-LAG 3860 SS	\$1145	14	11	65	7	7
S-LAG 3872 BK	\$1705	14	13	78	7	7
S-LAG 3872 ORB	\$1705	14	13	78	7	7
S-LAG 3872 PS	\$1705	14	13	78	7	7
S-LAG 3872 SB	\$1705	14	13	78	7	7
S-LAG 3872 SS	\$1395	14	13	78	7	7
S-LAG 3896 BK	\$2255	14	17	100	7	7
S-LAG 3896 ORB	\$2255	14	17	100	7	7
S-LAG 3896 PS	\$2255	14	17	100	7	7
S-LAG 3896 SB	\$2255	14	17	100	7	7
S-LAG 3896 SS	\$1845	14	17	100	7	7
S-LAG 6536 BK	\$1025	16	8	41	7	7
S-LAG 6536 ORB	\$1025	16	8	41	7	7
S-LAG 6536 PS	\$1025	16	8	41	7	7
S-LAG 6536 SB	\$1025	16	8	41	7	7
S-LAG 6536 SS	\$875	16	8	41	7	7
S-LAG 6548 BK	\$1355	16	10	53	7	7
S-LAG 6548 ORB	\$1355	16	10	53	7	7
S-LAG 6548 PS	\$1355	16	10	53	7	7
S-LAG 6548 SB	\$1355	16	10	53	7	7
S-LAG 6548 SS	\$1145	16	10	53	7	7
S-LAG 6560 BK	\$1680	16	13	65	7	7
S-LAG 6560 ORB	\$1680	16	13	65	7	7
S-LAG 6560 PS	\$1680	16	13	65	7	7
S-LAG 6560 SB	\$1680	16	13	65	7	7
S-LAG 6560 SS	\$1420	16	13	65	7	7
S-LAG 6572 BK	\$2035	16	15	78	7	7
S-LAG 6572 ORB	\$2035	16	15	78	7	7
S-LAG 6572 PS	\$2035	16	15	78	7	7
S-LAG 6572 SB	\$2035	16	15	78	7	7
S-LAG 6572 SS	\$1725	16	15	78	7	7
S-LAG 6596 BK	\$2695	16	21	102	7	7
S-LAG 6596 ORB	\$2695	16	21	102	7	7
S-LAG 6596 PS	\$2695	16	21	102	7	7
S-LAG 6596 SB	\$2695	16	21	102	7	7
S-LAG 6596 SS	\$2285	16	21	102	7	7
SLOT 24 BK	\$150	144	3	30	7	7
SLOT 24 ORB	\$150	144	3	30	7	7

SKU	List Price	Page #	Shipping Dimensions			
			Lbs	L	W	H
SLOT 24 PS	\$150	144	3	30	7	7
SLOT 24 SB	\$150	144	3	30	7	7
SLOT 24 SS	\$120	144	3	30	7	7
SLOT 32 BK	\$195	144	3	37	7	7
SLOT 32 ORB	\$195	144	3	37	7	7
SLOT 32 PS	\$195	144	3	37	7	7
SLOT 32 SB	\$195	144	3	37	7	7
SLOT 32 SS	\$160	144	3	37	7	7
SLOT 36 BK	\$225	144	4	41	7	7
SLOT 36 ORB	\$225	144	4	41	7	7
SLOT 36 PS	\$225	144	4	41	7	7
SLOT 36 SB	\$225	144	4	41	7	7
SLOT 36 SS	\$180	144	4	41	7	7
SLOT 42 BK	\$270	144	3	47	7	7
SLOT 42 ORB	\$270	144	3	47	7	7
SLOT 42 PS	\$270	144	3	47	7	7
SLOT 42 SB	\$270	144	3	47	7	7
SLOT 42 SS	\$220	144	3	47	7	7
SLOT 48 BK	\$300	144	4	53	7	7
SLOT 48 ORB	\$300	144	4	53	7	7
SLOT 48 PS	\$300	144	4	53	7	7
SLOT 48 SB	\$300	144	4	53	7	7
SLOT 48 SS	\$240	144	4	53	7	7
SLOT 60 BK	\$375	144	4	65	7	7
SLOT 60 ORB	\$375	144	4	65	7	7
SLOT 60 PS	\$375	144	4	65	7	7
SLOT 60 SB	\$375	144	4	65	7	7
SLOT 60 SS	\$300	144	4	65	7	7
SLOT 65C 0-36 BK	\$395		4	41	7	7
SLOT 65C 0-36 ORB	\$395		4	41	7	7
SLOT 65C 0-36 PS	\$395		4	41	7	7
SLOT 65C 0-36 SB	\$395		4	41	7	7
SLOT 65C 0-36 SS	\$315		4	41	7	7
SLOT 65C 37-48 BK	\$525		4	53	7	7
SLOT 65C 37-48 ORB	\$525		4	53	7	7
SLOT 65C 37-48 PS	\$525		4	53	7	7
SLOT 65C 37-48 SB	\$525		4	53	7	7
SLOT 65C 37-48 SS	\$420		4	53	7	7
SLOT 65C 49-60 BK	\$660		4	64	7	7
SLOT 65C 49-60 ORB	\$660		4	64	7	7
SLOT 65C 49-60 PS	\$660		4	64	7	7
SLOT 65C 49-60 SB	\$660		4	64	7	7
SLOT 65C 49-60 SS	\$525		4	64	7	7
SLOT 65C 61-72 BK	\$790		5	76	7	7
SLOT 65C 61-72 ORB	\$790		5	76	7	7
SLOT 65C 61-72 PS	\$790		5	76	7	7
SLOT 65C 61-72 SB	\$790		5	76	7	7
SLOT 65C 61-72 SS	\$630		5	76	7	7
SLOT 65C 73-84 BK	\$920		6	88	7	7
SLOT 65C 73-84 ORB	\$920		6	88	7	7
SLOT 65C 73-84 PS	\$920		6	88	7	7
SLOT 65C 73-84 SB	\$920		6	88	7	7
SLOT 65C 73-84 SS	\$735		6	88	7	7
SLOT 65C 85-96 BK	\$1050		10	102	7	7
SLOT 65C 85-96 ORB	\$1050		10	102	7	7
SLOT 65C 85-96 PS	\$1050		10	102	7	7
SLOT 65C 85-96 SB	\$1050		10	102	7	7
SLOT 65C 85-96 SS	\$840		10	102	7	7
S-LT 3836 BK	\$470	18	6	41	7	7
S-LT 3836 ORB	\$470	18	6	41	7	7
S-LT 3836 PS	\$470	18	6	41	7	7
S-LT 3836 SB	\$470	18	6	41	7	7
S-LT 3836 SS	\$335	18	6	41	7	7
S-LT 3848 BK	\$615	18	8	53	7	7
S-LT 3848 ORB	\$615	18	8	53	7	7
S-LT 3848 PS	\$615	18	8	53	7	7
S-LT 3848 SB	\$615	18	8	53	7	7
S-LT 3848 SS	\$425	18	8	53	7	7
S-LT 3860 BK	\$755	18	9	65	7	7
S-LT 3860 ORB	\$755	18	9	65	7	7
S-LT 3860 PS	\$755	18	9	65	7	7
S-LT 3860 SB	\$755	18	9	65	7	7
S-LT 3860 SS	\$520	18	9	65	7	7
S-LT 3872 BK	\$925	18	16	78	7	7
S-LT 3872 ORB	\$925	18	16	78	7	7
S-LT 3872 PS	\$925	18	16	78	7	7
S-LT 3872 SB	\$925	18	16	78	7	7
S-LT 3872 SS	\$645	18	16	78	7	7
S-LT 3896 BK	\$1215	18	15	102	7	7
S-LT 3896 ORB	\$1215	18	15	102	7	7
S-LT 3896 PS	\$1215	18	15	102	7	7
S-LT 3896 SB	\$1215	18	15	102	7	7
S-LT 3896 SS	\$845	18	15	102	7	7
S-LT 6536 BK	\$470	20	7	41	7	7
S-LT 6536 ORB	\$470	20	7	41	7	7
S-LT 6536 PS	\$470	20	7	41	7	7
S-LT 6536 SB	\$470	20	7	41	7	7
S-LT 6536 SS	\$335	20	7	41	7	7

Price Sheet & Index

SKU	List Price	Page #	Shipping Dimensions			
			Lbs	L	W	H
S-LT 6548 BK	\$615	20	9	53	7	7
S-LT 6548 ORB	\$615	20	9	53	7	7
S-LT 6548 PS	\$615	20	9	53	7	7
S-LT 6548 SB	\$615	20	9	53	7	7
S-LT 6548 SS	\$425	20	9	53	7	7
S-LT 6560 BK	\$755	20	11	65	7	7
S-LT 6560 ORB	\$755	20	11	65	7	7
S-LT 6560 PS	\$755	20	11	65	7	7
S-LT 6560 SB	\$755	20	11	65	7	7
S-LT 6560 SS	\$520	20	11	65	7	7
S-LT 6572 BK	\$925	20	15	78	7	7
S-LT 6572 ORB	\$925	20	15	78	7	7
S-LT 6572 PS	\$925	20	15	78	7	7
S-LT 6572 SB	\$925	20	15	78	7	7
S-LT 6572 SS	\$645	20	15	78	7	7
S-LT 6596 BK	\$1215	20	16	102	7	7
S-LT 6596 ORB	\$1215	20	16	102	7	7
S-LT 6596 PS	\$1215	20	16	102	7	7
S-LT 6596 SB	\$1215	20	16	102	7	7
S-LT 6596 SS	\$845	20	16	102	7	7
S-LTIF 6536 BK	\$890	22	7	41	7	7
S-LTIF 6536 ORB	\$890	22	7	41	7	7
S-LTIF 6536 PS	\$890	22	7	41	7	7
S-LTIF 6536 SB	\$890	22	7	41	7	7
S-LTIF 6536 SS	\$815	22	7	41	7	7
S-LTIF 6548 BK	\$1155	22	11	53	7	7
S-LTIF 6548 ORB	\$1155	22	11	53	7	7
S-LTIF 6548 PS	\$1155	22	11	53	7	7
S-LTIF 6548 SB	\$1155	22	11	53	7	7
S-LTIF 6548 SS	\$1045	22	11	53	7	7
S-LTIF 6560 BK	\$1415	22	13	65	7	7
S-LTIF 6560 ORB	\$1415	22	13	65	7	7
S-LTIF 6560 PS	\$1415	22	13	65	7	7
S-LTIF 6560 SB	\$1415	22	13	65	7	7
S-LTIF 6560 SS	\$1280	22	13	65	7	7
S-LTIF 6572 BK	\$1745	22	15	79	7	7
S-LTIF 6572 ORB	\$1745	22	15	79	7	7
S-LTIF 6572 PS	\$1745	22	15	79	7	7
S-LTIF 6572 SB	\$1745	22	15	79	7	7
S-LTIF 6572 SS	\$1585	22	15	79	7	7
S-LTIF 6596 BK	\$2275	22	20	102	7	7
S-LTIF 6596 ORB	\$2275	22	20	102	7	7
S-LTIF 6596 PS	\$2275	22	20	102	7	7
S-LTIF 6596 SB	\$2275	22	20	102	7	7
S-LTIF 6596 SS	\$2065	22	20	102	7	7
S-LTIFAS 6536 BK	\$1395	29	15	47	7	7
S-LTIFAS 6536 ORB	\$1395	29	15	47	7	7
S-LTIFAS 6536 PS	\$1395	29	15	47	7	7
S-LTIFAS 6536 SB	\$1395	29	15	47	7	7
S-LTIFAS 6536 SS	\$1260	29	15	47	7	7
S-LTIFAS 6548 BK	\$1645	29	17	53	7	7
S-LTIFAS 6548 ORB	\$1645	29	17	53	7	7
S-LTIFAS 6548 PS	\$1645	29	17	53	7	7
S-LTIFAS 6548 SB	\$1645	29	17	53	7	7
S-LTIFAS 6548 SS	\$1475	29	17	53	7	7
S-LTIFAS 6560 BK	\$2010	29	20	65	7	7
S-LTIFAS 6560 ORB	\$2010	29	20	65	7	7
S-LTIFAS 6560 PS	\$2010	29	20	65	7	7
S-LTIFAS 6560 SB	\$2010	29	20	65	7	7
S-LTIFAS 6560 SS	\$1780	29	20	65	7	7
S-LTIFAS 6572 BK	\$2865	29	30	83	11	7
S-LTIFAS 6572 ORB	\$2865	29	30	83	11	7
S-LTIFAS 6572 PS	\$2865	29	30	83	11	7
S-LTIFAS 6572 SB	\$2865	29	30	83	11	7
S-LTIFAS 6572 SS	\$2585	29	30	83	11	7
S-LTIFAS 6596 BK	\$3360	29	35	99	11	7
S-LTIFAS 6596 ORB	\$3360	29	35	99	11	7
S-LTIFAS 6596 PS	\$3360	29	35	99	11	7
S-LTIFAS 6596 SB	\$3360	29	35	99	11	7
S-LTIFAS 6596 SS	\$3020	29	35	99	11	7
S-LTIFAS 9936-A BK	\$1770	30	15	47	7	7
S-LTIFAS 9936-A ORB	\$1770	30	15	47	7	7
S-LTIFAS 9936-A PS	\$1770	30	15	47	7	7
S-LTIFAS 9936-A SB	\$1770	30	15	47	7	7
S-LTIFAS 9936-A SS	\$1635	30	15	47	7	7
S-LTIFAS 9936-I BK	\$1770	30	15	47	7	7
S-LTIFAS 9936-I ORB	\$1770	30	15	47	7	7
S-LTIFAS 9936-I PS	\$1770	30	15	47	7	7
S-LTIFAS 9936-I SB	\$1770	30	15	47	7	7
S-LTIFAS 9936-I SS	\$1635	30	15	47	7	7
S-LTIFAS 9936-P BK	\$1770	30	15	47	7	7
S-LTIFAS 9936-P ORB	\$1770	30	15	47	7	7
S-LTIFAS 9936-P PS	\$1770	30	15	47	7	7
S-LTIFAS 9936-P SB	\$1770	30	15	47	7	7
S-LTIFAS 9936-P SS	\$1635	30	15	47	7	7
S-LTIFAS 9948-A BK	\$2020	30	17	53	7	7
S-LTIFAS 9948-A ORB	\$2020	30	17	53	7	7
S-LTIFAS 9948-A PS	\$2020	30	17	53	7	7

SKU	List Price	Page #	Shipping Dimensions			
			Lbs	L	W	H
S-LTIFAS 9948-A SB	\$2020	30	17	53	7	7
S-LTIFAS 9948-A SS	\$1850	30	17	53	7	7
S-LTIFAS 9948-I BK	\$2020	30	17	53	7	7
S-LTIFAS 9948-I ORB	\$2020	30	17	53	7	7
S-LTIFAS 9948-I PS	\$2020	30	17	53	7	7
S-LTIFAS 9948-I SB	\$2020	30	17	53	7	7
S-LTIFAS 9948-I SS	\$1850	30	17	53	7	7
S-LTIFAS 9948-P BK	\$2020	30	17	53	7	7
S-LTIFAS 9948-P ORB	\$2020	30	17	53	7	7
S-LTIFAS 9948-P PS	\$2020	30	17	53	7	7
S-LTIFAS 9948-P SB	\$2020	30	17	53	7	7
S-LTIFAS 9948-P SS	\$1850	30	17	53	7	7
S-LTIFAS 9960-A BK	\$2385	30	20	65	7	7
S-LTIFAS 9960-A ORB	\$2385	30	20	65	7	7
S-LTIFAS 9960-A PS	\$2385	30	20	65	7	7
S-LTIFAS 9960-A SB	\$2385	30	20	65	7	7
S-LTIFAS 9960-A SS	\$2155	30	20	65	7	7
S-LTIFAS 9960-I BK	\$2385	30	20	65	7	7
S-LTIFAS 9960-I ORB	\$2385	30	20	65	7	7
S-LTIFAS 9960-I PS	\$2385	30	20	65	7	7
S-LTIFAS 9960-I SB	\$2385	30	20	65	7	7
S-LTIFAS 9960-I SS	\$2155	30	20	65	7	7
S-LTIFAS 9960-P BK	\$2385	30	20	65	7	7
S-LTIFAS 9960-P ORB	\$2385	30	20	65	7	7
S-LTIFAS 9960-P PS	\$2385	30	20	65	7	7
S-LTIFAS 9960-P SB	\$2385	30	20	65	7	7
S-LTIFAS 9960-P SS	\$2155	30	20	65	7	7
S-LTIFAS 9972-A BK	\$3615	30	30	83	11	7
S-LTIFAS 9972-A ORB	\$3615	30	30	83	11	7
S-LTIFAS 9972-A PS	\$3615	30	30	83	11	7
S-LTIFAS 9972-A SB	\$3615	30	30	83	11	7
S-LTIFAS 9972-A SS	\$3335	30	30	83	11	7
S-LTIFAS 9972-I BK	\$3615	30	30	83	11	7
S-LTIFAS 9972-I ORB	\$3615	30	30	83	11	7
S-LTIFAS 9972-I PS	\$3615	30	30	83	11	7
S-LTIFAS 9972-I SB	\$3615	30	30	83	11	7
S-LTIFAS 9972-I SS	\$3335	30	30	83	11	7
S-LTIFAS 9972-P BK	\$3615	30	30	83	11	7
S-LTIFAS 9972-P ORB	\$3615	30	30	83	11	7
S-LTIFAS 9972-P PS	\$3615	30	30	83	11	7
S-LTIFAS 9972-P SB	\$3615	30	30	83	11	7
S-LTIFAS 9972-P SS	\$3335	30	30	83	11	7
S-LTIFAS 9996-A BK	\$4110	30	34	99	11	7
S-LTIFAS 9996-A ORB	\$4110	30	35	99	11	7
S-LTIFAS 9996-A PS	\$4110	30	35	99	11	7
S-LTIFAS 9996-A SB	\$4110	30	35	99	11	7
S-LTIFAS 9996-A SS	\$3770	30	35	99	11	7
S-LTIFAS 9996-I BK	\$4110	30	35	99	11	7
S-LTIFAS 9996-I ORB	\$4110	30	35	99	11	7
S-LTIFAS 9996-I PS	\$4110	30	35	99	11	7
S-LTIFAS 9996-I SB	\$4110	30	35	99	11	7
S-LTIFAS 9996-I SS	\$3770	30	35	99	11	7
S-LTIFAS 9996-P BK	\$4110	30	35	99	11	7
S-LTIFAS 9996-P ORB	\$4110	30	35	99	11	7
S-LTIFAS 9996-P PS	\$4110	30	35	99	11	7
S-LTIFAS 9996-P SB	\$4110	30	35	99	11	7
S-LTIFAS 9996-P SS	\$3770	30	35	99	11	7
SSA	\$85	2	13	13	7	
SSM	\$150	3	13	13	7	
SSP	\$85	2	13	13	7	
ST 125	\$55	158	2	14	4	4
ST 65	\$50	158	2	14	4	4
STE BK	\$20	1	6	6	2	
STE ORB	\$20	1	6	6	2	
STE PS	\$20	1	6	6	2	
STE SB	\$20	1	6	6	2	
STE SS	\$10	1	6	6	2	
STIF 6540 BK	\$980	21	11	47	7	7
STIF 6540 ORB	\$980	21	11	47	7	7
STIF 6540 PS	\$980	21	11	47	7	7
STIF 6540 SB	\$980	21	11	47	7	7
STIF 6540 SS	\$890	21	11	47	7	7
STIF 6548 BK	\$1155	21	12	53	7	7
STIF 6548 ORB	\$1155	21	12	53	7	7
STIF 6548 PS	\$1155	21	12	53	7	7
STIF 6548 SB	\$1155	21	12	53	7	7
STIF 6548 SS	\$1045	21	12	53	7	7
STIF 6560 BK	\$1415	21	15	65	7	7
STIF 6560 ORB	\$1415	21	15	65	7	7
STIF 6560 PS	\$1415	21	15	65	7	7
STIF 6560 SB	\$1415	21	15	65	7	7
STIF 6560 SS	\$1280	21	15	65	7	7
STIF 6580 BK	\$1915	21	20	79	7	7
STIF 6580 ORB	\$1915	21	20	79	7	7
STIF 6580 PS	\$1915	21	20	79	7	7
STIF 6580 SB	\$1915	21	20	79	7	7
STIF 6580 SS	\$1745	21	20	79	7	7
STIF 6596 BK	\$2275	21	24	102	7	7

Price Sheet & Index

SKU	List Price	Page #	Shipping Dimensions			
			Lbs	L	W	H
STIF 6596 ORB	\$2275	21	24	102	7	7
STIF 6596 PS	\$2275	21	24	102	7	7
STIF 6596 SB	\$2275	21	24	102	7	7
STIF 6596 SS	\$2065	21	24	102	7	7
STIF AS 6540 BK	\$1395	27	15	47	7	7
STIF AS 6540 ORB	\$1395	27	15	47	7	7
STIF AS 6540 PS	\$1395	27	15	47	7	7
STIF AS 6540 SB	\$1395	27	15	47	7	7
STIF AS 6540 SS	\$1260	27	15	47	7	7
STIF AS 6548 BK	\$1645	27	17	53	7	7
STIF AS 6548 ORB	\$1645	27	17	53	7	7
STIF AS 6548 PS	\$1645	27	17	53	7	7
STIF AS 6548 SB	\$1645	27	17	53	7	7
STIF AS 6548 SS	\$1475	27	17	53	7	7
STIF AS 6560 BK	\$2010	27	20	65	7	7
STIF AS 6560 ORB	\$2010	27	20	65	7	7
STIF AS 6560 PS	\$2010	27	20	65	7	7
STIF AS 6560 SB	\$2010	27	20	65	7	7
STIF AS 6560 SS	\$1780	27	20	65	7	7
STIF AS 6580 BK	\$2865	27	31	83	12	7
STIF AS 6580 ORB	\$2865	27	31	83	12	7
STIF AS 6580 PS	\$2865	27	31	83	12	7
STIF AS 6580 SB	\$2865	27	31	83	12	7
STIF AS 6580 SS	\$2585	27	31	83	12	7
STIF AS 6596 BK	\$3360	27	35	99	12	7
STIF AS 6596 ORB	\$3360	27	35	99	12	7
STIF AS 6596 PS	\$3360	27	35	99	12	7
STIF AS 6596 SB	\$3360	27	35	99	12	7
STIF AS 6596 SS	\$3020	27	35	99	12	7
STIF AS 9940-A BK	\$1770	28	15	47	7	7
STIF AS 9940-A ORB	\$1770	28	15	47	7	7
STIF AS 9940-A PS	\$1770	28	15	47	7	7
STIF AS 9940-A SB	\$1770	28	15	47	7	7
STIF AS 9940-A SS	\$1635	28	15	47	7	7
STIF AS 9940-I BK	\$1770	28	15	47	7	7
STIF AS 9940-I ORB	\$1770	28	15	47	7	7
STIF AS 9940-I PS	\$1770	28	15	47	7	7
STIF AS 9940-I SB	\$1770	28	15	47	7	7
STIF AS 9940-I SS	\$1635	28	15	47	7	7
STIF AS 9940-P BK	\$1770	28	15	47	7	7
STIF AS 9940-P ORB	\$1770	28	15	47	7	7
STIF AS 9940-P PS	\$1770	28	15	47	7	7
STIF AS 9940-P SB	\$1770	28	15	47	7	7
STIF AS 9940-P SS	\$1635	28	15	47	7	7
STIF AS 9948-A BK	\$2020	28	17	53	7	7
STIF AS 9948-A ORB	\$2020	28	17	53	7	7
STIF AS 9948-A PS	\$2020	28	17	53	7	7
STIF AS 9948-A SB	\$2020	28	17	53	7	7
STIF AS 9948-A SS	\$1850	28	17	53	7	7
STIF AS 9948-I BK	\$2020	28	17	53	7	7
STIF AS 9948-I ORB	\$2020	28	17	53	7	7
STIF AS 9948-I PS	\$2020	28	17	53	7	7
STIF AS 9948-I SB	\$2020	28	17	53	7	7
STIF AS 9948-I SS	\$1850	28	17	53	7	7
STIF AS 9948-P BK	\$2020	28	17	53	7	7
STIF AS 9948-P ORB	\$2020	28	17	53	7	7
STIF AS 9948-P PS	\$2020	28	17	53	7	7
STIF AS 9948-P SB	\$2020	28	17	53	7	7
STIF AS 9948-P SS	\$1850	28	17	53	7	7
STIF AS 9960-A BK	\$2385	28	20	65	7	7
STIF AS 9960-A ORB	\$2385	28	20	65	7	7
STIF AS 9960-A PS	\$2385	28	20	65	7	7
STIF AS 9960-A SB	\$2385	28	20	65	7	7
STIF AS 9960-A SS	\$2155	28	20	65	7	7
STIF AS 9960-I BK	\$2385	28	20	65	7	7
STIF AS 9960-I ORB	\$2385	28	20	65	7	7
STIF AS 9960-I PS	\$2385	28	20	65	7	7
STIF AS 9960-I SB	\$2385	28	20	65	7	7
STIF AS 9960-I SS	\$2155	28	20	65	7	7
STIF AS 9960-P BK	\$2385	28	20	65	7	7
STIF AS 9960-P ORB	\$2385	28	20	65	7	7
STIF AS 9960-P PS	\$2385	28	20	65	7	7
STIF AS 9960-P SB	\$2385	28	20	65	7	7
STIF AS 9960-P SS	\$2155	28	20	65	7	7
STIF AS 9980-A BK	\$3615	28	30	83	12	7
STIF AS 9980-A ORB	\$3615	28	30	83	12	7
STIF AS 9980-A PS	\$3615	28	30	83	12	7
STIF AS 9980-A SB	\$3615	28	30	83	12	7
STIF AS 9980-A SS	\$3335	28	30	83	12	7
STIF AS 9980-I BK	\$3615	28	30	83	12	7
STIF AS 9980-I ORB	\$3615	28	30	83	12	7
STIF AS 9980-I PS	\$3615	28	30	83	12	7
STIF AS 9980-I SB	\$3615	28	30	83	12	7
STIF AS 9980-I SS	\$3335	28	30	83	12	7
STIF AS 9980-P BK	\$3615	28	30	83	12	7
STIF AS 9980-P ORB	\$3615	28	30	83	12	7
STIF AS 9980-P PS	\$3615	28	30	83	12	7
STIF AS 9980-P SB	\$3615	28	30	83	12	7

SKU	List Price	Page #	Shipping Dimensions			
			Lbs	L	W	H
STIF AS 9980-P SS	\$3335	28	30	83	12	7
STIF AS 9996-A BK	\$4110	28	34	99	12	7
STIF AS 9996-A ORB	\$4110	28	35	99	12	7
STIF AS 9996-A PS	\$4110	28	35	99	12	7
STIF AS 9996-A SB	\$4110	28	35	99	12	7
STIF AS 9996-A SS	\$3770	28	35	99	12	7
STIF AS 9996-I BK	\$4110	28	35	99	12	7
STIF AS 9996-I ORB	\$4110	28	35	99	12	7
STIF AS 9996-I PS	\$4110	28	35	99	12	7
STIF AS 9996-I SB	\$4110	28	35	99	12	7
STIF AS 9996-I SS	\$3770	28	35	99	12	7
STIF AS 9996-P BK	\$4110	28	35	99	12	7
STIF AS 9996-P ORB	\$4110	28	35	99	12	7
STIF AS 9996-P PS	\$4110	28	35	99	12	7
STIF AS 9996-P SB	\$4110	28	35	99	12	7
STIF AS 9996-P SS	\$3770	28	35	99	12	7
T 15 A BK	\$670	58	4	7	7	4
T 15 A ORB	\$670	58	4	7	7	4
T 15 A PS	\$670	58	4	7	7	4
T 15 A SB	\$670	58	4	7	7	4
T 15 A SS	\$550	58	4	7	7	4
T 15 B BK	\$670	58	4	7	7	4
T 15 B ORB	\$670	58	4	7	7	4
T 15 B PS	\$670	58	4	7	7	4
T 15 B SB	\$670	58	4	7	7	4
T 15 B SS	\$550	58	4	7	7	4
T 42-BK	\$265	147	2	6	6	3
T 42-ORB	\$265	147	2	6	6	3
T 42-PS	\$265	147	2	6	6	3
T 42-SB	\$265	147	2	6	6	3
T 42-SS	\$200	147	2	6	6	3
T 5 BK	\$515	57	4	7	7	4
T 5 ORB	\$515	57	4	7	7	4
T 5 PS	\$515	57	4	7	7	4
T 5 SB	\$515	57	4	7	7	4
T 5 SS	\$395	57	4	7	7	4
T 52 BK	\$315	148	2	6	6	3
T 52-ORB	\$315	148	2	6	6	3
T 52-PS	\$315	148	2	6	6	3
T 52-SB	\$315	148	2	6	6	3
T 52-SS	\$235	148	2	6	6	3
T 54-BK	\$470	148	2	6	6	3
T 54-ORB	\$470	148	2	6	6	3
T 54-PS	\$470	148	2	6	6	3
T 54-SB	\$470	148	2	6	6	3
T 54-SS	\$390	148	2	6	6	3
T 6520 BK	\$460		1	6	6	3
T 6520 ORB	\$460		5	30	7	7
T 6520 PS	\$460		5	30	7	7
T 6520 SB	\$460		5	30	7	7
T 6520 SS	\$410		5	30	7	7
T 6540 BK	\$760		8	47	7	7
T 6540 ORB	\$760		8	47	7	7
T 6540 PS	\$760		8	47	7	7
T 6540 SB	\$760		8	47	7	7
T 6540 SS	\$680		8	47	7	7
T 6548 BK	\$920		9	53	7	7
T 6548 ORB	\$920		9	53	7	7
T 6548 PS	\$920		9	53	7	7
T 6548 SB	\$920		9	53	7	7
T 6548 SS	\$820		9	53	7	7
T 6560 BK	\$1150		11	64	7	7
T 6560 ORB	\$1150		11	64	7	7
T 6560 PS	\$1150		11	64	7	7
T 6560 SB	\$1150		11	64	7	7
T 6560 SS	\$1025		11	64	7	7
TA 6520 BK	\$520	143	4	30	7	7
TA 6520 ORB	\$520	143	4	30	7	7
TA 6520 PS	\$520	143	4	30	7	7
TA 6520 SB	\$520	143	4	30	7	7
TA 6520 SS	\$470	143	4	30	7	7
TA 6540 BK	\$820	131	8	47	7	7
TA 6540 ORB	\$820	131	8	47	7	7
TA 6540 PS	\$820	131	8	47	7	7
TA 6540 SB	\$820	131	8	47	7	7
TA 6540 SS	\$740	131	8	47	7	7
TA 6548 BK	\$980	131	9	53	7	7
TA 6548 ORB	\$980	131	9	53	7	7
TA 6548 PS	\$980	131	9	53	7	7
TA 6548 SB	\$980	131	9	53	7	7
TA 6548 SS	\$880	131	9	53	7	7
TA 6560 BK	\$1210	131	11	65	7	7
TA 6560 ORB	\$1210	131	11	65	7	7
TA 6560 PS	\$1210	131	11	65	7	7
TA 6560 SB	\$1210	131	11	65	7	7
TA 6560 SS	\$1085	131	11	65	7	7
TA 65C 0-36 BK	\$1210	124	7	41	7	7
TA 65C 0-36 ORB	\$1210	124	7	41	7	7

Price Sheet & Index

SKU	List Price	Page #	Shipping Dimensions			
			Lbs	L	W	H
TA 65C 0-36 PS	\$1210	124	7	41	7	7
TA 65C 0-36 SB	\$1210	124	7	41	7	7
TA 65C 0-36 SS	\$1080	124	7	41	7	7
TA 65C 37-48 BK	\$1610	124	9	53	7	7
TA 65C 37-48 ORB	\$1610	124	9	53	7	7
TA 65C 37-48 PS	\$1610	124	9	53	7	7
TA 65C 37-48 SB	\$1610	124	9	53	7	7
TA 65C 37-48 SS	\$1435	124	9	53	7	7
TA 65C 49-60 BK	\$2015	124	11	64	7	7
TA 65C 49-60 ORB	\$2015	124	11	64	7	7
TA 65C 49-60 PS	\$2015	124	11	64	7	7
TA 65C 49-60 SB	\$2015	124	11	64	7	7
TA 65C 49-60 SS	\$1795	124	11	64	7	7
TA 65C 61-72 BK	\$2415	124	14	76	7	7
TA 65C 61-72 ORB	\$2415	124	14	76	7	7
TA 65C 61-72 PS	\$2415	124	14	76	7	7
TA 65C 61-72 SB	\$2415	124	14	76	7	7
TA 65C 61-72 SS	\$2155	124	14	76	7	7
TA 65C 73-84 BK	\$2820	124	17	88	7	7
TA 65C 73-84 ORB	\$2820	124	17	88	7	7
TA 65C 73-84 PS	\$2820	124	17	88	7	7
TA 65C 73-84 SB	\$2820	124	17	88	7	7
TA 65C 73-84 SS	\$2515	124	17	88	7	7
TA 65C 85-96 BK	\$3220	124	20	120	7	7
TA 65C 85-96 ORB	\$3220	124	20	102	7	7
TA 65C 85-96 PS	\$3220	124	20	102	7	7
TA 65C 85-96 SB	\$3220	124	20	120	7	7
TA 65C 85-96 SS	\$2870	124	20	102	7	7
TC 6548 BK	\$370	138	9	53	7	7
TC 6548 ORB	\$370	138	9	53	7	7
TC 6548 PS	\$370	138	9	53	7	7
TC 6548 SB	\$370	138	9	53	7	7
TC 6548 SS	\$305	138	9	53	7	7
TC 6596 BK	\$745	138	15	102	7	7
TC 6596 ORB	\$745	138	15	102	7	7
TC 6596 PS	\$745	138	15	102	7	7
TC 6596 SB	\$745	138	15	102	7	7
TC 6596 SS	\$620	138	15	102	7	7
TD 15-2A BK	\$795	58	7	9	9	7
TD 15-2A ORB	\$795	58	7	9	9	7
TD 15-2A PS	\$795	58	7	9	9	7
TD 15-2A SB	\$795	58	7	9	9	7
TD 15-2A SS	\$675	58	7	9	9	7
TD 15-2I BK	\$795	58	10	9	9	7
TD 15-2I ORB	\$795	58	10	9	9	7
TD 15-2I PS	\$795	58	10	9	9	7
TD 15-2I SB	\$795	58	10	9	9	7
TD 15-2I SS	\$675	58	10	9	9	7
TD 15-2P BK	\$795	58	7	9	9	7
TD 15-2P ORB	\$795	58	7	9	9	7
TD 15-2P PS	\$795	58	7	9	9	7
TD 15-2P SB	\$795	58	7	9	9	7
TD 15-2P SS	\$675	58	7	9	9	7
TD 15-3A BK	\$795	58	7	9	9	7
TD 15-3A ORB	\$795	58	7	9	9	7
TD 15-3A PS	\$795	58	7	9	9	7
TD 15-3A SB	\$795	58	7	9	9	7
TD 15-3A SS	\$675	58	7	9	9	7
TD 15-3I BK	\$795	58	10	9	9	7
TD 15-3I ORB	\$795	58	10	9	9	7
TD 15-3I PS	\$795	58	10	9	9	7
TD 15-3I SB	\$795	58	10	9	9	7
TD 15-3I SS	\$675	58	10	9	9	7
TD 15-3P BK	\$795	58	7	9	9	7
TD 15-3P ORB	\$795	58	7	9	9	7
TD 15-3P PS	\$795	58	7	9	9	7
TD 15-3P SB	\$795	58	7	9	9	7
TD 15-3P SS	\$675	58	7	9	9	7
TD 5-2A BK	\$580	57	4	6	6	6
TD 5-2A ORB	\$580	57	4	6	6	6
TD 5-2A PS	\$580	57	4	6	6	6
TD 5-2A SB	\$580	57	4	6	6	6
TD 5-2A SS	\$460	57	4	6	6	6
TD 5-2H BK	\$600	57	6	6	6	6
TD 5-2H ORB	\$600	57	6	6	6	6
TD 5-2H PS	\$600	57	6	6	6	6
TD 5-2H SB	\$600	57	6	6	6	6
TD 5-2H SS	\$480	57	6	6	6	6
TD 5-2I BK	\$600	57	6	6	6	6
TD 5-2I ORB	\$600	57	6	6	6	6
TD 5-2I PS	\$600	57	6	6	6	6
TD 5-2I SB	\$600	57	6	6	6	6
TD 5-2I SS	\$480	57	6	6	6	6
TD 5-2P BK	\$580	57	5	6	6	6
TD 5-2P ORB	\$580	57	5	6	6	6
TD 5-2P PS	\$580	57	5	6	6	6
TD 5-2P SB	\$580	57	5	6	6	6
TD 5-2P SS	\$460	57	5	6	6	6

SKU	List Price	Page #	Shipping Dimensions			
			Lbs	L	W	H
TDB 15-A BK	\$795	58	5	9	9	7
TDB 15-A ORB	\$795	58	5	9	9	7
TDB 15-A PS	\$795	58	5	9	9	7
TDB 15-A SB	\$795	58	5	9	9	7
TDB 15-A SS	\$675	58	5	9	9	7
TDB 15-P BK	\$795	58	5	9	9	7
TDB 15-P ORB	\$795	58	5	9	9	7
TDB 15-P PS	\$795	58	5	9	9	7
TDB 15-P SB	\$795	58	5	9	9	7
TDB 15-P SS	\$675	58	5	9	9	7
TDB 15-S BK	\$895	58	6	9	9	7
TDB 15-S ORB	\$895	58	6	9	9	7
TDB 15-S PS	\$895	58	6	9	9	7
TDB 15-S SB	\$895	58	6	9	9	7
TDB 15-S SS	\$775	58	6	9	9	7
TDB 5-A BK	\$640	57	5	13	13	7
TDB 5-A ORB	\$640	57	5	13	13	7
TDB 5-A PS	\$640	57	5	13	13	7
TDB 5-A SB	\$640	57	5	13	13	7
TDB 5-A SS	\$520	57	5	13	13	7
TDB 5-P BK	\$640	57	5	13	13	7
TDB 5-P ORB	\$640	57	5	13	13	7
TDB 5-P PS	\$640	57	5	13	13	7
TDB 5-P SB	\$640	57	5	13	13	7
TDB 5-P SS	\$520	57	5	13	13	7
TDB 5-S BK	\$740	57	6	13	13	7
TDB 5-S ORB	\$740	57	6	13	13	7
TDB 5-S PS	\$740	57	6	13	13	7
TDB 5-S SB	\$740	57	6	13	13	7
TDB 5-S SS	\$620	57	6	13	13	7
TDF 5-2A BK	\$680	60	7	9	9	7
TDF 5-2A ORB	\$680	60	7	9	9	7
TDF 5-2A PS	\$680	60	7	9	9	7
TDF 5-2A SB	\$680	60	7	9	9	7
TDF 5-2A SS	\$560	60	7	9	9	7
TDF 5-2H BK	\$700	60	7	9	9	7
TDF 5-2H ORB	\$700	60	7	9	9	7
TDF 5-2H PS	\$700	60	7	9	9	7
TDF 5-2H SB	\$700	60	7	9	9	7
TDF 5-2H SS	\$580	60	7	9	9	7
TDF 5-2I BK	\$700	60	7	9	9	7
TDF 5-2I ORB	\$700	60	7	9	9	7
TDF 5-2I PS	\$700	60	7	9	9	7
TDF 5-2I SB	\$700	60	7	9	9	7
TDF 5-2I SS	\$580	60	7	9	9	7
TDF 5-2P BK	\$680	60	7	9	9	7
TDF 5-2P ORB	\$680	60	7	9	9	7
TDF 5-2P PS	\$680	60	7	9	9	7
TDF 5-2P SB	\$680	60	7	9	9	7
TDF 5-2P SS	\$560	60	7	9	9	7
TDLF 5-2A BK	\$680	59	7	9	9	7
TDLF 5-2A ORB	\$680	59	7	9	9	7
TDLF 5-2A PS	\$680	59	7	9	9	7
TDLF 5-2A SB	\$680	59	7	9	9	7
TDLF 5-2A SS	\$560	59	7	9	9	7
TDLF 5-2H BK	\$700	59	7	9	9	7
TDLF 5-2H ORB	\$700	59	7	9	9	7
TDLF 5-2H PS	\$700	59	7	9	9	7
TDLF 5-2H SB	\$700	59	7	9	9	7
TDLF 5-2H SS	\$580	59	7	9	9	7
TDLF 5-2I BK	\$700	59	7	9	9	7
TDLF 5-2I ORB	\$700	59	7	9	9	7
TDLF 5-2I PS	\$700	59	7	9	9	7
TDLF 5-2I SB	\$700	59	7	9	9	7
TDLF 5-2I SS	\$580	59	7	9	9	7
TDLF 5-2P BK	\$680	59	7	9	9	7
TDLF 5-2P ORB	\$680	59	7	9	9	7
TDLF 5-2P PS	\$680	59	7	9	9	7
TDLF 5-2P SB	\$680	59	7	9	9	7
TDLF 5-2P SS	\$560	59	7	9	9	7
TE 65 BK	\$75	138	1	4	4	4
TE 65 ORB	\$75	138	1	4	4	4
TE 65 PS	\$75	138	1	4	4	4
TE 65 SB	\$75	138	1	4	4	4
TE 65 SS	\$60	138	1	4	4	4
TF 5 BK	\$615	60	4	7	7	4
TF 5 ORB	\$615	60	4	7	7	4
TF 5 PS	\$615	60	4	7	7	4
TF 5 SB	\$615	60	4	7	7	4
TF 5 SS	\$495	60	4	7	7	4
TI-CL BK	\$75	144	1	4	4	4
TI-CL ORB	\$75	144	1	4	4	4
TI-CL PS	\$75	144	1	4	4	4
TI-CL SB	\$75	144	1	4	4	4
TI-CL SS	\$60	144	1	4	4	4
TIF PL	\$40	144	1	4	4	4
TJS 65	\$25	138	1	4	4	4
TL 52-BK	\$70	150	1	6	6	2

Price Sheet & Index

SKU	List Price	Page #	Shipping Dimensions			
			Lbs	L	W	H
TL 52-ORB	\$70	150	1	6	6	2
TL 52-PS	\$70	150	1	6	6	2
TL 52-SB	\$70	150	1	6	6	2
TL 52-SS	\$50	150	1	6	6	2
TLF 5 BK	\$615	59	4	7	7	4
TLF 5 ORB	\$615	59	4	7	7	4
TLF 5 PS	\$615	59	4	7	7	4
TLF 5 SB	\$615	59	4	7	7	4
TLF 5 SS	\$495	59	4	7	7	4
TN4A	\$200	157	1	6	6	2
TNAS	\$45	157	1	4	4	4
TNAS-2	\$75	157	1	4	4	4
TNAS-3	\$85	157	1	4	4	4
TNAS-4	\$95	157	1	4	4	4
TNAS-T	\$55	157	1	4	4	4
TNRN-4	\$110	157	3	7	7	5
TNRN-P	\$40	157	1	4	4	4
TNRN-S	\$200	157	1	4	4	4
TS 5 BK	\$170	146	1	6	6	2
TS 5 ORB	\$170	146	1	6	6	2
TS 5 PS	\$170	146	1	6	6	2
TS 5 SB	\$170	146	1	6	6	2
TS 5 SS	\$130	146	1	6	6	2
TT 52 BK	\$325	146	1	6	6	3
TT 52-ORB	\$325	146	1	6	6	3
TT 52-PS	\$325	146	1	6	6	3
TT 52-SB	\$325	146	1	6	6	3
TT 52-SS	\$245	146	1	6	6	3
TT 54-BK	\$480	146	1	6	6	3
TT 54-ORB	\$480	146	1	6	6	3
TT 54-PS	\$480	146	1	6	6	3
TT 54-SB	\$480	146	1	6	6	3
TT 54-SS	\$400	146	1	6	6	3
UA 6524 BK	\$220	142	4	30	7	7
UA 6524 ORB	\$220	142	4	30	7	7
UA 6524 PS	\$220	142	4	30	7	7
UA 6524 SB	\$220	142	4	30	7	7
UA 6524 SS	\$130	142	4	30	7	7
UA 6525 BK	\$220	154	4	30	7	7
UA 6525 ORB	\$220	154	4	30	7	7
UA 6525 PS	\$220	154	4	30	7	7
UA 6525 SB	\$220	154	4	30	7	7
UA 6525 SS	\$130	154	4	30	7	7
UA 6532 BK	\$290	142	5	41	7	7
UA 6532 ORB	\$290	142	5	41	7	7
UA 6532 PS	\$290	142	5	41	7	7
UA 6532 SB	\$290	142	5	41	7	7
UA 6532 SS	\$170	142	5	41	7	7
UA 6536 BK	\$330	142	5	41	7	7
UA 6536 ORB	\$330	142	5	41	7	7
UA 6536 PS	\$330	142	5	41	7	7
UA 6536 SB	\$330	142	5	41	7	7
UA 6536 SS	\$195	142	5	41	7	7
UA 6542 BK	\$400	142	6	47	7	7
UA 6542 ORB	\$400	142	6	47	7	7
UA 6542 PS	\$400	142	6	47	7	7
UA 6542 SB	\$400	142	6	47	7	7
UA 6542 SS	\$235	142	6	47	7	7
UA 6548 BK	\$440	142	6	53	7	7
UA 6548 ORB	\$440	142	6	53	7	7
UA 6548 PS	\$440	142	6	53	7	7
UA 6548 SB	\$440	142	6	53	7	7
UA 6548 SS	\$260	142	6	53	7	7
UA 6557 BK	\$550	154	7	65	7	7
UA 6557 ORB	\$550	154	7	65	7	7
UA 6557 PS	\$550	154	7	65	7	7
UA 6557 SB	\$550	154	7	65	7	7
UA 6557 SS	\$325	154	7	65	7	7
UA 6560 BK	\$550	142	7	65	7	7
UA 6560 ORB	\$550	142	7	65	7	7
UA 6560 PS	\$550	142	7	65	7	7
UA 6560 SB	\$550	142	7	65	7	7
UA 6560 SS	\$325	142	7	65	7	7
UA 65C 0-36 BK	\$580	125	5	41	7	7
UA 65C 0-36 ORB	\$580	125	5	41	7	7
UA 65C 0-36 PS	\$580	125	5	41	7	7
UA 65C 0-36 SB	\$580	125	5	41	7	7
UA 65C 0-36 SS	\$345	125	5	41	7	7
UA 65C 37-48 BK	\$770	125	6	53	7	7
UA 65C 37-48 ORB	\$770	125	6	53	7	7
UA 65C 37-48 PS	\$770	125	6	53	7	7
UA 65C 37-48 SB	\$770	125	6	53	7	7
UA 65C 37-48 SS	\$455	125	6	53	7	7
UA 65C 49-60 BK	\$965	125	7	64	7	7
UA 65C 49-60 ORB	\$965	125	7	64	7	7
UA 65C 49-60 PS	\$965	125	7	64	7	7
UA 65C 49-60 SB	\$965	125	7	64	7	7
UA 65C 49-60 SS	\$570	125	7	64	7	7

SKU	List Price	Page #	Shipping Dimensions			
			Lbs	L	W	H
UA 65C 61-72 BK	\$1155	125	9	76	7	7
UA 65C 61-72 ORB	\$1155	125	9	76	7	7
UA 65C 61-72 PS	\$1155	125	9	76	7	7
UA 65C 61-72 SB	\$1155	125	9	76	7	7
UA 65C 61-72 SS	\$685	125	9	76	7	7
UA 65C 73-84 BK	\$1350	125	12	88	7	7
UA 65C 73-84 ORB	\$1350	125	12	88	7	7
UA 65C 73-84 PS	\$1350	125	12	88	7	7
UA 65C 73-84 SB	\$1350	125	12	88	7	7
UA 65C 73-84 SS	\$800	125	12	88	7	7
UA 65C 85-96 BK	\$1540	125	15	102	7	7
UA 65C 85-96 ORB	\$1540	125	15	102	7	7
UA 65C 85-96 PS	\$1540	125	15	102	7	7
UA 65C 85-96 SB	\$1540	125	15	102	7	7
UA 65C 85-96 SS	\$910	125	15	102	7	7
UC 24-ABS	\$60	151	3	30	7	7
UC 24-PVC	\$60	151	3	30	7	7
UC 30-ABS	\$65	151	3	37	7	7
UC 30-PVC	\$65	151	3	37	7	7
UC 32-ABS	\$70	151	3	37	7	7
UC 32-PVC	\$65	151	3	37	7	7
UC 36-ABS	\$75	151	3	41	7	7
UC 36-PVC	\$75	151	3	41	7	7
UC 42-ABS	\$80	151	4	47	7	7
UC 42-PVC	\$80	151	4	47	7	7
UC 48-ABS	\$85	151	4	53	7	7
UC 48-PVC	\$85	151	4	53	7	7
UC 54-ABS	\$90	151	4	65	7	7
UC 54-PVC	\$90	151	4	65	7	7
UC 60-ABS	\$95	151	4	65	7	7
UC 60-PVC	\$95	151	4	65	7	7
UCP 2	\$100	157	2	2	7	7
UCP 4	\$125	157	2	2	7	7
UCP 42	\$125	157	3	2	7	7
USQ-A 24 PS	\$325	53	8	30	7	7
USQ-A 24 SS	\$300	53	7	30	7	7
USQ-A 30 PS	\$350	53	9	37	7	7
USQ-A 30 SS	\$325	53	9	37	7	7
USQ-A 32 PS	\$360	53	10	37	7	7
USQ-A 32 SS	\$335	53	10	37	7	7
USQ-A 36 PS	\$375	53	11	41	7	7
USQ-A 36 SS	\$350	53	11	41	7	7
USQ-A 42 PS	\$400	53	12	47	7	7
USQ-A 42 SS	\$375	53	12	47	7	7
USQ-A 48 PS	\$425	53	14	54	7	7
USQ-A 48 SS	\$400	53	14	54	7	7
USQ-A 54 PS	\$450	53	15	64	7	7
USQ-A 54 SS	\$425	53	15	64	7	7
USQ-A 60 PS	\$475	53	16	64	7	7
USQ-A 60 SS	\$450	53	16	64	7	7
USQ-P 24 PS	\$325	53	8	30	7	7
USQ-P 24 SS	\$300	53	8	30	7	7
USQ-P 30 PS	\$350	53	10	37	7	7
USQ-P 30 SS	\$325	53	10	37	7	7
USQ-P 32 PS	\$360	53	11	37	7	7
USQ-P 32 SS	\$335	53	11	37	7	7
USQ-P 36 PS	\$375	53	12	41	7	7
USQ-P 36 SS	\$350	53	12	41	7	7
USQ-P 42 PS	\$400	53	12	47	7	7
USQ-P 42 SS	\$375	53	12	47	7	7
USQ-P 48 PS	\$425	53	14	64	7	7
USQ-P 48 SS	\$400	53	14	64	7	7
USQ-P 54 PS	\$450	53	16	64	7	7
USQ-P 54 SS	\$425	53	16	64	7	7
USQ-P 60 PS	\$475	53	17	64	7	7
USQ-P 60 SS	\$450	53	17	64	7	7
UTIF-A 24 SS	\$350	54	8	30	7	7
UTIF-A 30 SS	\$375	54	9	37	7	7
UTIF-A 32 SS	\$385	54	9	37	7	7
UTIF-A 36 SS	\$400	54	10	41	7	7
UTIF-A 42 SS	\$425	54	7.5	47	7	7
UTIF-A 48 SS	\$450	54	14	54	7	7
UTIF-A 54 SS	\$475	54	15	65	7	7
UTIF-A 60 SS	\$500	54	15	65	7	7
UTIF-P 24 SS	\$350	54	9	30	7	7
UTIF-P 30 SS	\$375	54	10	37	7	7
UTIF-P 32 SS	\$385	54	10	37	7	7
UTIF-P 36 SS	\$400	54	11	41	7	7
UTIF-P 42 SS	\$425	54	13	47	7	7
UTIF-P 48 SS	\$450	54	15	53	7	7
UTIF-P 54 SS	\$475	54	16	64	7	7
UTIF-P 60 SS	\$500	54	16	64	7	7
V 4 BK	\$430	73	2	6	6	6
V 4 ORB	\$430	73	2	6	6	6
V 4 PS	\$430	73	2	6	6	6
V 4 SB	\$430	73	2	6	6	6
V 4 SS	\$330	73	2	6	6	6
V 5 BK	\$510	73	2	6	6	6

Price Sheet & Index

SKU	List Price	Page #	Shipping Dimensions			
			Lbs	L	W	H
V 5 ORB	\$510	73	2	6	6	6
V 5 PS	\$510	73	2	6	6	6
V 5 SB	\$510	73	2	6	6	6
V 5 SS	\$390	73	2	6	6	6
VD 4-2A BK	\$495	73	3	5	5	5
VD 4-2A ORB	\$495	73	3	5	5	5
VD 4-2A PS	\$495	73	3	5	5	5
VD 4-2A SB	\$495	73	3	5	5	5
VD 4-2A SS	\$395	73	3	5	5	5
VD 4-2H BK	\$515	73	5	5	5	5
VD 4-2H ORB	\$515	73	5	5	5	5
VD 4-2H PS	\$515	73	5	5	5	5
VD 4-2H SB	\$515	73	5	5	5	5
VD 4-2H SS	\$415	73	5	5	5	5
VD 4-2I BK	\$515	73	5	5	5	5
VD 4-2I ORB	\$515	73	5	5	5	5
VD 4-2I PS	\$515	73	5	5	5	5
VD 4-2I SB	\$515	73	5	5	5	5
VD 4-2I SS	\$415	73	5	5	5	5
VD 4-2P BK	\$495	73	3	5	5	5
VD 4-2P ORB	\$495	73	3	5	5	5
VD 4-2P PS	\$495	73	3	5	5	5
VD 4-2P SB	\$495	73	3	5	5	5
VD 4-2P SS	\$395	73	3	5	5	5
VD 5-2A BK	\$575	74	3	6	6	6
VD 5-2A ORB	\$575	74	3	6	6	6
VD 5-2A PS	\$575	74	3	6	6	6
VD 5-2A SB	\$575	74	3	6	6	6
VD 5-2A SS	\$455	74	3	6	6	6
VD 5-2H BK	\$595	74	6	6	6	6
VD 5-2H ORB	\$595	74	6	6	6	6
VD 5-2H PS	\$595	74	6	6	6	6
VD 5-2H SB	\$595	74	6	6	6	6
VD 5-2H SS	\$475	74	6	6	6	6
VD 5-2I BK	\$595	74	6	6	6	6
VD 5-2I ORB	\$595	74	6	6	6	6
VD 5-2I PS	\$595	74	6	6	6	6
VD 5-2I SB	\$595	74	6	6	6	6
VD 5-2I SS	\$475	74	6	6	6	6
VD 5-2P BK	\$575	74	3	6	6	6
VD 5-2P ORB	\$575	74	3	6	6	6
VD 5-2P PS	\$575	74	3	6	6	6
VD 5-2P SB	\$575	74	3	6	6	6
VD 5-2P SS	\$455	74	3	6	6	6
VD 5-3A BK	\$785	74	5	9	9	7
VD 5-3A ORB	\$785	74	5	9	9	7
VD 5-3A PS	\$785	74	5	9	9	7
VD 5-3A SB	\$785	74	5	9	9	7
VD 5-3A SS	\$665	74	5	9	9	7
VD 5-3I BK	\$785	74	10	9	9	7
VD 5-3I ORB	\$785	74	10	9	9	7
VD 5-3I PS	\$785	74	10	9	9	7
VD 5-3I SB	\$785	74	10	9	9	7
VD 5-3I SS	\$665	74	10	9	9	7
VD 5-3P BK	\$785	74	5	9	9	7
VD 5-3P ORB	\$785	74	5	9	9	7
VD 5-3P PS	\$785	74	5	9	9	7
VD 5-3P SB	\$785	74	5	9	9	7
VD 5-3P SS	\$665	74	5	9	9	7
VDB 4-A BK	\$555	73	6	7	7	13
VDB 4-A ORB	\$555	73	6	7	7	13
VDB 4-A PS	\$555	73	6	7	7	13
VDB 4-A SB	\$555	73	6	7	7	13
VDB 4-A SS	\$455	73	6	7	7	13
VDB 4-P BK	\$555	73	6	7	7	13
VDB 4-P ORB	\$555	73	6	7	7	13
VDB 4-P PS	\$555	73	6	7	7	13
VDB 4-P SB	\$555	73	6	7	7	13
VDB 4-P SS	\$455	73	6	7	7	13
VDB 4-S BK	\$655	73	8	7	7	13
VDB 4-S ORB	\$655	73	8	7	7	13
VDB 4-S PS	\$655	73	8	7	7	13
VDB 4-S SB	\$655	73	8	7	7	13
VDB 4-S SS	\$555	73	8	7	7	13
VDB 5-A BK	\$635	74	6	7	7	13
VDB 5-A ORB	\$635	74	6	7	7	13
VDB 5-A PS	\$635	74	6	7	7	13
VDB 5-A SB	\$635	74	6	7	7	13
VDB 5-A SS	\$515	74	6	7	7	13
VDB 5-P BK	\$635	74	6	7	7	13
VDB 5-P ORB	\$635	74	6	7	7	13
VDB 5-P PS	\$635	74	6	7	7	13
VDB 5-P SB	\$635	74	6	7	7	13
VDB 5-P SS	\$515	74	6	7	7	13
VDB 5-S BK	\$735	74	8	7	7	13
VDB 5-S ORB	\$735	74	8	7	7	13
VDB 5-S PS	\$735	74	8	7	7	13
VDB 5-S SB	\$735	74	8	7	7	13

SKU	List Price	Page #	Shipping Dimensions			
			Lbs	L	W	H
VDB 5-S SS	\$615	74	8	7	7	13
VS 4 BK	\$140	147	1	6	6	2
VS 4 ORB	\$140	147	1	6	6	2
VS 4 PS	\$140	147	1	6	6	2
VS 4 SB	\$140	147	1	6	6	2
VS 4 SS	\$105	147	1	6	6	2
VS 5 BK	\$170	148	1	6	6	2
VS 5 ORB	\$170	148	1	6	6	2
VS 5 PS	\$170	148	1	6	6	2
VS 5 SB	\$170	148	1	6	6	2
VS 5 SS	\$130	148	1	6	6	6
W 4 BK	\$530	79	2	6	6	6
W 4 ORB	\$530	79	2	6	6	6
W 4 PS	\$530	79	2	6	6	6
W 4 SB	\$530	79	2	6	6	6
W 4 SS	\$430	79	2	6	6	6
W 5 BK	\$635	80	2	6	6	6
W 5 ORB	\$635	80	2	6	6	6
W 5 PS	\$635	80	2	6	6	6
W 5 SB	\$635	80	2	6	6	6
W 5 SS	\$515	80	2	6	6	6
WA 6524 BK	\$590	142	4	30	7	7
WA 6524 ORB	\$590	142	4	30	7	7
WA 6524 PS	\$590	142	4	30	7	7
WA 6524 SB	\$590	142	4	30	7	7
WA 6524 SS	\$490	142	4	30	7	7
WA 6532 BK	\$770	142	5	37	7	7
WA 6532 ORB	\$770	142	5	37	7	7
WA 6532 PS	\$770	142	5	37	7	7
WA 6532 SB	\$770	142	5	37	7	7
WA 6532 SS	\$640	142	5	37	7	7
WA 6536 BK	\$885	142	6	41	7	7
WA 6536 ORB	\$885	142	6	41	7	7
WA 6536 PS	\$885	142	6	41	7	7
WA 6536 SB	\$885	142	6	41	7	7
WA 6536 SS	\$735	142	6	41	7	7
WA 6542 BK	\$1065	142	7	47	7	7
WA 6542 ORB	\$1065	142	7	47	7	7
WA 6542 PS	\$1065	142	7	47	7	7
WA 6542 SB	\$1065	142	7	47	7	7
WA 6542 SS	\$885	142	7	47	7	7
WA 6548 BK	\$1180	142	7	53	7	7
WA 6548 ORB	\$1180	142	7	53	7	7
WA 6548 PS	\$1180	142	7	53	7	7
WA 6548 SB	\$1180	142	7	53	7	7
WA 6548 SS	\$980	142	7	53	7	7
WA 6560 BK	\$1475	142	8	65	7	7
WA 6560 ORB	\$1475	142	8	65	7	7
WA 6560 PS	\$1475	142	8	65	7	7
WA 6560 SB	\$1475	142	8	65	7	7
WA 6560 SS	\$1225	142	8	65	7	7
WA 65C 0-36 BK	\$1550	123	6	41	7	7
WA 65C 0-36 ORB	\$1550	123	6	41	7	7
WA 65C 0-36 PS	\$1550	123	6	41	7	7
WA 65C 0-36 SB	\$1550	123	6	41	7	7
WA 65C 0-36 SS	\$1290	123	6	41	7	7
WA 65C 37-48 BK	\$2065	123	7	53	7	7
WA 65C 37-48 ORB	\$2065	123	7	53	7	7
WA 65C 37-48 PS	\$2065	123	7	53	7	7
WA 65C 37-48 SB	\$2065	123	7	53	7	7
WA 65C 37-48 SS	\$1715	123	7	53	7	7
WA 65C 49-60 BK	\$2585	123	8	64	7	7
WA 65C 49-60 ORB	\$2585	123	8	64	7	7
WA 65C 49-60 PS	\$2585	123	8	64	7	7
WA 65C 49-60 SB	\$2585	123	8	64	7	7
WA 65C 49-60 SS	\$2145	123	8	64	7	7
WA 65C 61-72 BK	\$3100	123	10	76	7	7
WA 65C 61-72 ORB	\$3100	123	10	76	7	7
WA 65C 61-72 PS	\$3100	123	10	76	7	7
WA 65C 61-72 SB	\$3100	123	10	76	7	7
WA 65C 61-72 SS	\$2575	123	13	76	7	7
WA 65C 73-84 BK	\$3615	123	13	88	7	7
WA 65C 73-84 ORB	\$3615	123	13	88	7	7
WA 65C 73-84 PS	\$3615	123	13	88	7	7
WA 65C 73-84 SB	\$3615	123	13	88	7	7
WA 65C 73-84 SS	\$3005	123	15	88	7	7
WA 65C 85-96 BK	\$4130	123	15	120	7	7
WA 65C 85-96 ORB	\$4130	123	15	120	7	7
WA 65C 85-96 PS	\$4130	123	15	120	7	7
WA 65C 85-96 SB	\$4130	123	15	120	7	7
WA 65C 85-96 SS	\$3430	123	15	120	7	7
WD 4-2A BK	\$595	79	3	5	5	5
WD 4-2A ORB	\$595	79	3	5	5	5
WD 4-2A PS	\$595	79	3	5	5	5
WD 4-2A SB	\$595	79	3	5	5	5
WD 4-2A SS	\$495	79	3	5	5	5
WD 4-2H BK	\$615	79	5	5	5	5
WD 4-2H ORB	\$615	79	5	5	5	5

Price Sheet & Index

SKU	List Price	Page #	Shipping Dimensions			
			Lbs	L	W	H
WD 4-2H PS	\$615	79	5	5	5	5
WD 4-2H SB	\$615	79	5	5	5	5
WD 4-2H SS	\$515	79	5	5	5	5
WD 4-2I BK	\$615	79	5	5	5	5
WD 4-2I ORB	\$615	79	5	5	5	5
WD 4-2I PS	\$615	79	5	5	5	5
WD 4-2I SB	\$615	79	5	5	5	5
WD 4-2I SS	\$515	79	5	5	5	5
WD 4-2P BK	\$595	79	3	5	5	5
WD 4-2P ORB	\$595	79	3	5	5	5
WD 4-2P PS	\$595	79	3	5	5	5
WD 4-2P SB	\$595	79	3	5	5	5
WD 4-2P SS	\$495	79	3	5	5	5
WD 5-2A BK	\$700	80	3	6	6	6
WD 5-2A ORB	\$700	80	3	6	6	6
WD 5-2A PS	\$700	80	3	6	6	6
WD 5-2A SB	\$700	80	3	6	6	6
WD 5-2A SS	\$580	80	3	6	6	6
WD 5-2H BK	\$720	80	5	6	6	6
WD 5-2H ORB	\$720	80	5	6	6	6
WD 5-2H PS	\$720	80	5	6	6	6
WD 5-2H SB	\$720	80	5	6	6	6
WD 5-2H SS	\$600	80	5	6	6	6
WD 5-2I BK	\$720	80	5	6	6	6
WD 5-2I ORB	\$720	80	5	6	6	6
WD 5-2I PS	\$720	80	5	6	6	6
WD 5-2I SB	\$720	80	5	6	6	6
WD 5-2I SS	\$600	80	5	6	6	6
WD 5-2P BK	\$700	80	3	6	6	6
WD 5-2P ORB	\$700	80	3	6	6	6
WD 5-2P PS	\$700	80	3	6	6	6
WD 5-2P SB	\$700	80	3	6	6	6
WD 5-2P SS	\$580	80	3	6	6	6
WD 5-3A BK	\$910	80	5	9	9	7
WD 5-3A ORB	\$910	80	5	9	9	7
WD 5-3A PS	\$910	80	5	9	9	7
WD 5-3A SB	\$910	80	5	9	9	7
WD 5-3A SS	\$790	80	5	9	9	7
WD 5-3I BK	\$910	80	10	9	9	7
WD 5-3I ORB	\$910	80	10	9	9	7
WD 5-3I PS	\$910	80	10	9	9	7
WD 5-3I SB	\$910	80	10	9	9	7
WD 5-3I SS	\$790	80	10	9	9	7
WD 5-3P BK	\$910	80	5	9	9	7
WD 5-3P ORB	\$910	80	5	9	9	7
WD 5-3P PS	\$910	80	5	9	9	7
WD 5-3P SB	\$910	80	5	9	9	7
WD 5-3P SS	\$790	80	5	9	9	7
WDB 4-A BK	\$655	79	6	7	7	13
WDB 4-A ORB	\$655	79	6	7	7	13
WDB 4-A PS	\$655	79	6	7	7	13
WDB 4-A SB	\$655	79	6	7	7	13
WDB 4-A SS	\$555	79	6	7	7	13
WDB 4-P BK	\$655	79	6	7	7	13
WDB 4-P ORB	\$655	79	6	7	7	13
WDB 4-P PS	\$655	79	6	7	7	13
WDB 4-P SB	\$655	79	6	7	7	13
WDB 4-P SS	\$555	79	6	7	7	13
WDB 4-S BK	\$755	79	8	7	7	13
WDB 4-S ORB	\$755	79	8	7	7	13
WDB 4-S PS	\$755	79	8	7	7	13
WDB 4-S SB	\$755	79	8	7	7	13
WDB 4-S SS	\$655	79	8	7	7	13
WDB 5-A BK	\$760	80	6	7	7	13
WDB 5-A ORB	\$760	80	6	7	7	13
WDB 5-A PS	\$760	80	6	7	7	13
WDB 5-A SB	\$760	80	6	7	7	13
WDB 5-A SS	\$640	80	6	7	7	13
WDB 5-P BK	\$760	80	6	7	7	13
WDB 5-P ORB	\$760	80	6	7	7	13
WDB 5-P PS	\$760	80	6	7	7	13
WDB 5-P SB	\$760	80	6	7	7	13
WDB 5-P SS	\$640	80	6	7	7	13
WDB 5-S BK	\$860	80	8	7	7	13
WDB 5-S ORB	\$860	80	8	7	7	13
WDB 5-S PS	\$860	80	8	7	7	13
WDB 5-S SB	\$860	80	8	7	7	13
WDB 5-S SS	\$740	80	8	7	7	13
WKEY	\$5	158	1	4	4	4
WS 4 BK	\$240	147	1	6	6	2
WS 4 ORB	\$240	147	1	6	6	2
WS 4 PS	\$240	147	1	6	6	2
WS 4 SB	\$240	147	1	6	6	2
WS 4 SS	\$205	147	1	6	6	2
WS 5 BK	\$320	148	1	6	6	2
WS 5 ORB	\$320	148	1	6	6	2
WS 5 PS	\$320	148	1	6	6	2
WS 5 SB	\$320	148	1	6	6	2

SKU	List Price	Page #	Shipping Dimensions			
			Lbs	L	W	H
WS 5 SS	\$255	148	1	6	6	2
X 4 BK	\$430	61	2	6	6	3
X 4 ORB	\$430	61	2	6	6	3
X 4 PS	\$430	61	2	6	6	3
X 4 SB	\$430	61	2	6	6	3
X 4 SS	\$330	61	2	6	6	3
X 5 BK	\$510	62	4	6	6	3
X 5 ORB	\$510	62	4	6	6	3
X 5 PS	\$510	62	4	6	6	3
X 5 SB	\$510	62	4	6	6	3
X 5 SS	\$390	62	4	6	6	3
XC 12532 BK	\$385	145	5	44	7	7
XC 12532 ORB	\$385	145	5	44	7	7
XC 12532 PS	\$385	145	5	44	7	7
XC 12532 SB	\$385	145	5	44	7	7
XC 12532 SS	\$345	145	5	44	7	7
XC 12536 BK	\$450	145	5	44	7	7
XC 12536 ORB	\$450	145	5	44	7	7
XC 12536 PS	\$450	145	5	44	7	7
XC 12536 SB	\$450	145	5	44	7	7
XC 12536 SS	\$405	145	5	44	7	7
XC 12542 BK	\$545	145	6	44	7	7
XC 12542 ORB	\$545	145	6	44	7	7
XC 12542 PS	\$545	145	6	44	7	7
XC 12542 SB	\$545	145	6	44	7	7
XC 12542 SS	\$495	145	6	44	7	7
XC 12548 BK	\$615	145	6	53	7	7
XC 12548 ORB	\$615	145	6	53	7	7
XC 12548 PS	\$615	145	6	53	7	7
XC 12548 SB	\$615	145	6	53	7	7
XC 12548 SS	\$555	145	6	53	7	7
XC 12560 BK	\$780	145	7	65	7	7
XC 12560 ORB	\$780	145	7	65	7	7
XC 12560 PS	\$780	145	7	65	7	7
XC 12560 SB	\$780	145	7	65	7	7
XC 12560 SS	\$705	145	7	65	7	7
XC 125C 0-36 BK	\$870	121	6	41	7	7
XC 125C 0-36 ORB	\$870	121	6	41	7	7
XC 125C 0-36 PS	\$870	121	6	41	7	7
XC 125C 0-36 SB	\$870	121	6	41	7	7
XC 125C 0-36 SS	\$790	121	6	41	7	7
XC 125C 37-48 BK	\$1155	121	8	53	7	7
XC 125C 37-48 ORB	\$1155	121	8	53	7	7
XC 125C 37-48 PS	\$1155	121	8	53	7	7
XC 125C 37-48 SB	\$1155	121	8	53	7	7
XC 125C 37-48 SS	\$1050	121	8	53	7	7
XC 125C 49-60 BK	\$1445	121	9	64	7	7
XC 125C 49-60 ORB	\$1445	121	9	64	7	7
XC 125C 49-60 PS	\$1445	121	9	64	7	7
XC 125C 49-60 SB	\$1445	121	9	64	7	7
XC 125C 49-60 SS	\$1315	121	9	64	7	7
XC 125C 61-72 BK	\$1735	121	11	76	7	7
XC 125C 61-72 ORB	\$1735	121	11	76	7	7
XC 125C 61-72 PS	\$1735	121	11	76	7	7
XC 125C 61-72 SB	\$1735	121	11	76	7	7
XC 125C 61-72 SS	\$1575	121	11	76	7	7
XC 125C 73-84 BK	\$2025	121	13	88	7	7
XC 125C 73-84 ORB	\$2025	121	13	88	7	7
XC 125C 73-84 PS	\$2025	121	13	88	7	7
XC 125C 73-84 SB	\$2025	121	13	88	7	7
XC 125C 85-96 BK	\$2310	121	17	102	7	7
XC 125C 85-96 ORB	\$2310	121	17	102	7	7
XC 125C 85-96 PS	\$2310	121	17	102	7	7
XC 125C 85-96 SB	\$2310	121	17	102	7	7
XC 125C 85-96 SS	\$2100	121	17	102	7	7
XC 6532 BK	\$290	141	5	44	7	7
XC 6532 ORB	\$290	141	5	44	7	7
XC 6532 PS	\$290	141	5	44	7	7
XC 6532 SB	\$290	141	5	44	7	7
XC 6532 SS	\$250	141	5	44	7	7
XC 6536 BK	\$330	141	5	44	7	7
XC 6536 ORB	\$330	141	5	44	7	7
XC 6536 PS	\$330	141	5	44	7	7
XC 6536 SB	\$330	141	5	44	7	7
XC 6536 SS	\$285	141	5	44	7	7
XC 6542 BK	\$400	141	6	44	7	7
XC 6542 ORB	\$400	141	6	44	7	7
XC 6542 PS	\$400	141	6	44	7	7
XC 6542 SB	\$400	141	6	44	7	7
XC 6542 SS	\$345	141	6	44	7	7
XC 6548 BK	\$440	141	6	53	7	7
XC 6548 ORB	\$440	141	6	53	7	7
XC 6548 PS	\$440	141	6	53	7	7
XC 6548 SB	\$440	141	6	53	7	7
XC 6548 SS	\$380	141	6	53	7	7
XC 6560 BK	\$550	141	7	65	7	7
XC 6560 ORB	\$550	141	7	65	7	7

Price Sheet & Index

SKU	List Price	Page #	Shipping Dimensions			
			Lbs	L	W	H
XC 6560 PS	\$550	141	7	65	7	7
XC 6560 SB	\$550	141	7	65	7	7
XC 6560 SS	\$475	141	7	65	7	7
XC 65C 0-36 BK	\$580	121	6	41	7	7
XC 65C 0-36 ORB	\$580	121	6	41	7	7
XC 65C 0-36 PS	\$580	121	5	41	7	7
XC 65C 0-36 SB	\$580	121	6	41	7	7
XC 65C 0-36 SS	\$500	121	5	41	7	7
XC 65C 37-48 BK	\$770	121	8	53	7	7
XC 65C 37-48 ORB	\$770	121	8	53	7	7
XC 65C 37-48 PS	\$770	121	7	53	7	7
XC 65C 37-48 SB	\$770	121	8	53	7	7
XC 65C 37-48 SS	\$665	121	7	53	7	7
XC 65C 49-60 BK	\$965	121	9	64	7	7
XC 65C 49-60 ORB	\$965	121	9	64	7	7
XC 65C 49-60 PS	\$965	121	8	65	7	7
XC 65C 49-60 SB	\$965	121	9	64	7	7
XC 65C 49-60 SS	\$835	121	8	65	7	7
XC 65C 61-72 BK	\$1155	121	11	76	7	7
XC 65C 61-72 ORB	\$1155	121	11	76	7	7
XC 65C 61-72 PS	\$1155	121	9	76	7	7
XC 65C 61-72 SB	\$1155	121	11	76	7	7
XC 65C 61-72 SS	\$1000	121	9	76	7	7
XC 65C 73-84 BK	\$1350	121	13	88	7	7
XC 65C 73-84 ORB	\$1350	121	13	88	7	7
XC 65C 73-84 PS	\$1350	121	13	88	7	7
XC 65C 73-84 SB	\$1350	121	13	88	7	7
XC 65C 73-84 SS	\$1165	121	13	88	7	7
XC 65C 85-96 BK	\$1540	121	15	102	7	7
XC 65C 85-96 ORB	\$1540	121	15	102	7	7
XC 65C 85-96 PS	\$1540	121	15	102	7	7
XC 65C 85-96 SB	\$1540	121	15	102	7	7
XC 65C 85-96 SS	\$1330	121	15	102	7	7
XD 4-2A BK	\$495	61	3	5	5	5
XD 4-2A ORB	\$495	61	3	5	5	5
XD 4-2A PS	\$495	61	3	5	5	5
XD 4-2A SB	\$495	61	3	5	5	5
XD 4-2A SS	\$395	61	3	5	5	5
XD 4-2H BK	\$515	61	5	5	5	5
XD 4-2H ORB	\$515	61	5	5	5	5
XD 4-2H PS	\$515	61	5	5	5	5
XD 4-2H SB	\$515	61	5	5	5	5
XD 4-2H SS	\$415	61	5	5	5	5
XD 4-2I BK	\$515	61	5	5	5	5
XD 4-2I ORB	\$515	61	5	5	5	5
XD 4-2I PS	\$515	61	5	5	5	5
XD 4-2I SB	\$515	61	5	5	5	5
XD 4-2I SS	\$415	61	5	5	5	5
XD 4-2P BK	\$495	61	3	5	5	5
XD 4-2P ORB	\$495	61	3	5	5	5
XD 4-2P PS	\$495	61	3	5	5	5
XD 4-2P SB	\$495	61	3	5	5	5
XD 4-2P SS	\$395	61	3	5	5	5
XD 5-2A BK	\$575	62	3	6	6	6
XD 5-2A ORB	\$575	62	3	6	6	6
XD 5-2A PS	\$575	62	3	6	6	6
XD 5-2A SB	\$575	62	3	6	6	6
XD 5-2A SS	\$455	62	3	6	6	6
XD 5-2H BK	\$595	62	5	6	6	6
XD 5-2H ORB	\$595	62	5	6	6	6
XD 5-2H PS	\$595	62	5	6	6	6
XD 5-2H SB	\$595	62	5	6	6	6
XD 5-2H SS	\$475	62	5	6	6	6
XD 5-2I BK	\$595	62	5	6	6	6
XD 5-2I ORB	\$595	62	5	6	6	6
XD 5-2I PS	\$595	62	5	6	6	6
XD 5-2I SB	\$595	62	5	6	6	6
XD 5-2I SS	\$475	62	5	6	6	6
XD 5-2P BK	\$575	62	3	6	6	6
XD 5-2P ORB	\$575	62	3	6	6	6
XD 5-2P PS	\$575	62	3	6	6	6
XD 5-2P SB	\$575	62	3	6	6	6
XD 5-2P SS	\$455	62	3	6	6	6
XD 5-3A BK	\$785	62	5	9	9	7
XD 5-3A ORB	\$785	62	5	9	9	7
XD 5-3A PS	\$785	62	5	9	9	7
XD 5-3A SB	\$785	62	5	9	9	7
XD 5-3A SS	\$665	62	5	9	9	7
XD 5-3I BK	\$785	62	10	9	9	7
XD 5-3I ORB	\$785	62	10	9	9	7
XD 5-3I PS	\$785	62	10	9	9	7
XD 5-3I SB	\$785	62	10	9	9	7
XD 5-3I SS	\$665	62	10	9	9	7
XD 5-3P BK	\$785	62	5	9	9	7
XD 5-3P ORB	\$785	62	5	9	9	7
XD 5-3P PS	\$785	62	5	9	9	7
XD 5-3P SB	\$785	62	5	9	9	7
XD 5-3P SS	\$665	62	5	9	9	7

SKU	List Price	Page #	Shipping Dimensions			
			Lbs	L	W	H
XDB 4-A BK	\$555	61	6	7	7	13
XDB 4-A ORB	\$555	61	6	7	7	13
XDB 4-A PS	\$555	61	6	7	7	13
XDB 4-A SB	\$555	61	6	7	7	13
XDB 4-A SS	\$455	61	6	7	7	13
XDB 4-P BK	\$555	61	6	7	7	13
XDB 4-P ORB	\$555	61	6	7	7	13
XDB 4-P PS	\$555	61	6	7	7	13
XDB 4-P SB	\$555	61	6	7	7	13
XDB 4-P SS	\$455	61	6	7	7	13
XDB 4-S BK	\$655	61	8	7	7	13
XDB 4-S ORB	\$655	61	8	7	7	13
XDB 4-S PS	\$655	61	8	7	7	13
XDB 4-S SB	\$655	61	8	7	7	13
XDB 4-S SS	\$555	61	8	7	7	13
XDB 5-A BK	\$635	62	6	7	7	13
XDB 5-A ORB	\$635	62	6	7	7	13
XDB 5-A PS	\$635	62	6	7	7	13
XDB 5-A SB	\$635	62	6	7	7	13
XDB 5-A SS	\$515	62	6	7	7	13
XDB 5-P BK	\$635	62	6	7	7	13
XDB 5-P ORB	\$635	62	6	7	7	13
XDB 5-P PS	\$635	62	6	7	7	13
XDB 5-P SB	\$635	62	6	7	7	13
XDB 5-P SS	\$515	62	6	7	7	13
XDB 5-S BK	\$735	62	8	7	7	13
XDB 5-S ORB	\$735	62	8	7	7	13
XDB 5-S PS	\$735	62	8	7	7	13
XDB 5-S SB	\$735	62	8	7	7	13
XDB 5-S SS	\$615	62	8	7	7	13
XS 4 BK	\$140	147	1	6	6	2
XS 4 ORB	\$140	147	1	6	6	2
XS 4 PS	\$140	147	1	6	6	2
XS 4 SB	\$140	147	1	6	6	2
XS 4 SS	\$105	147	1	6	6	2
XS 5 BK	\$170	148	1	6	6	2
XS 5 ORB	\$170	148	1	6	6	2
XS 5 PS	\$170	148	1	6	6	2
XS 5 SB	\$170	148	1	6	6	2
XS 5 SS	\$130	148	1	6	6	2
Z SIKA	\$10	137	2	7	7	4

Notes

Notes

Notes

Finishes

Custom finishes available.
Please call or email for pricing and availability.



Satin Stainless

Oil Rubbed Bronze

Polished Stainless

Satin Stainless

Satin Stainless

Matte Black

Matte Black

Satin Bronze



ID Infinity Drain®

145 Dixon Avenue, Amityville, New York 11701

Phone 516.767.6786 ~ Fax 516.740.3066

www.infinitydrain.com

LT014-12-21



Infinity Drain is made in the USA