

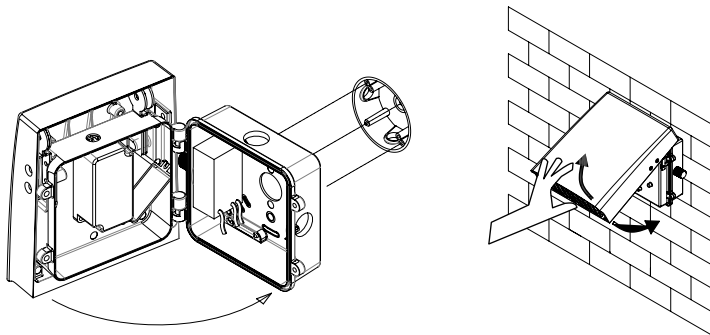


WMK WALL PACK LIGHT

12W~120W Power and CCT Adjustable DLC



INSTALLATION DIAGRAM



PRODUCT NUMBER BUILDER

Example:STLWMK504WMBR

Wall Pack power adjustable WMK 50 watt, Wall mount installation, with a Bronze finish.

TECHNICAL SPECIFICATIONS

HOUSING	ACD12 aluminum heat sink, Outdoor powder coating.
VOLTAGE	120-277V, 60Hz AC
LED	LumiLEDs
EFFICACY	130 LM/W
LUMENS@5000K	1,560-15,600 lumens
POWER FACTOR	>0.9
BEAM ANGLE	90X120°
THD	<20%
OPERATING TEMP	-40°F-104°F
ALUMINUM LED BOARD	High conductive, Waterproof, Aging resistance, Salt mist resistance, Long-life.
CONTROLS / DIMMING	0-10V Dimming
CCT	3000K, 4000K, 5000K and 5700K
CRI	>70
RATED LIFE	70,000 hours

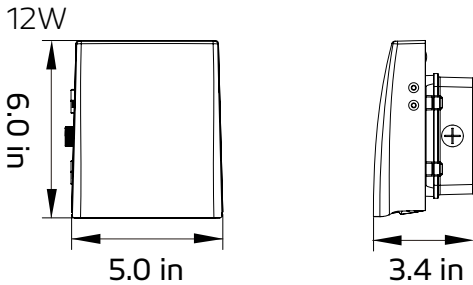
SERIES	WATT (W -8%~+5%)	MOUNTING OPTIONS (YY)	FINISH (ZZ)	VOLTAGE (V) (Blank)	OPTIC TYPE (Blank)	DIMMING (Blank)
STLWMK	12 50 120	WM=WALL MOUNT	BR=BRONZE	120-277	90X120°	0-10V/PWM/VR



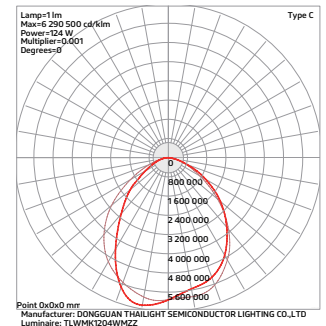
PRODUCT PARAMETER

MODEL	DIMENSION (in)	VOLTAGE (V)	WATT ADJUSTABLE RANGE (W -8%~+5%)	COLOR TEMP. ADJUSTABLE RANGE	LUMENS @ 5000K(Lm)	EFFICACY (Lm/w)	OPTIC TYPE	DIMMING
STLWMK12YYZZ	6.0X5.0X3.4 in	120-277	12	3,000K, 4,000K, 5,000K, 5,700K	1,560	130	90X120°	0-10V/PWM/VR
STLWMK50YYZZ	9.0X7.6X4.5 in	120-277	20W, 30W, 40W, 50W	3,000K, 4,000K, 5,000K, 5,700K	6,500	130	90X120°	0-10V/PWM/VR
STLWMK120YYZZ	13.0X11.0X5.5 in	120-277	50W, 80W, 100W, 120W	3,000K, 4,000K, 5,000K, 5,700K	15,600	130	90X120°	0-10V/PWM/VR

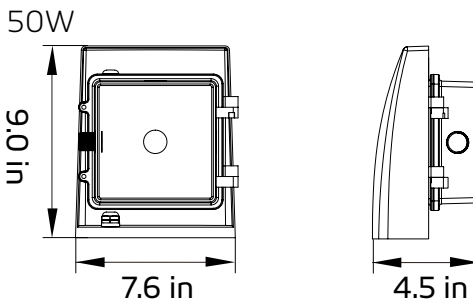
DIMENSIONAL DRAWING



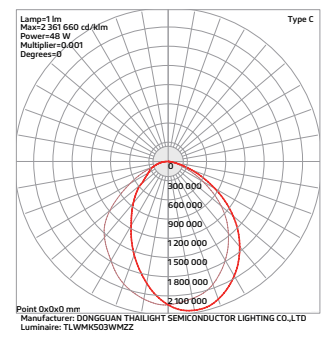
PHOTOMETRY



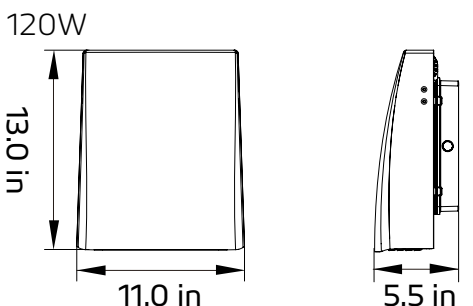
DIMENSIONAL DRAWING



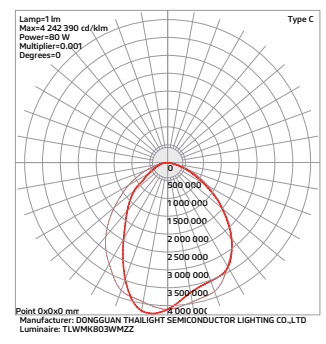
PHOTOMETRY



DIMENSIONAL DRAWING



PHOTOMETRY



* The above parameters are for reference only, please refer to IES and DLC document for details