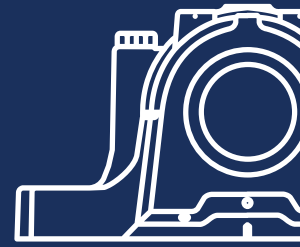
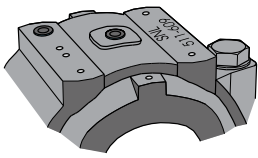


SNL PLUMMER BLOCK

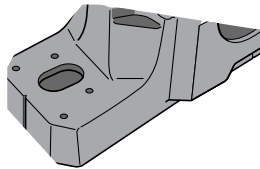


FEATURES AND APPLICATIONS



DIMPLES TO LOCATE ACCESSORIES

SNL Housings have dimples cast into the housing cap show where conditioning monitoring sensors can be mounted for maximum effectiveness



SIMPLE MOUNTING

To simplify and make alignment more accurate, lines indicating the centre of the bore and the centre of the base are cast into the housing.



DOUBLE LIP SEAL

The low friction seal is specifically developed for SNL housings. Highly effective seal can accommodate speeds up to 7m/s, is split and therefore easy to remove and install.



DOUBLE LIP SEALS

TSNG seal comes as standard and is generally used in heavy duty or difficult sealing applications to ensure fluids, fine, or coarse, contamination particles do not enter the bearing. It can also tolerate slight misalignment.

ACCESSORIES



APPLICATIONS / CUSTOMER DEMANDS



EXHAUST AND FRESH AIR FANS



CONVEYOR



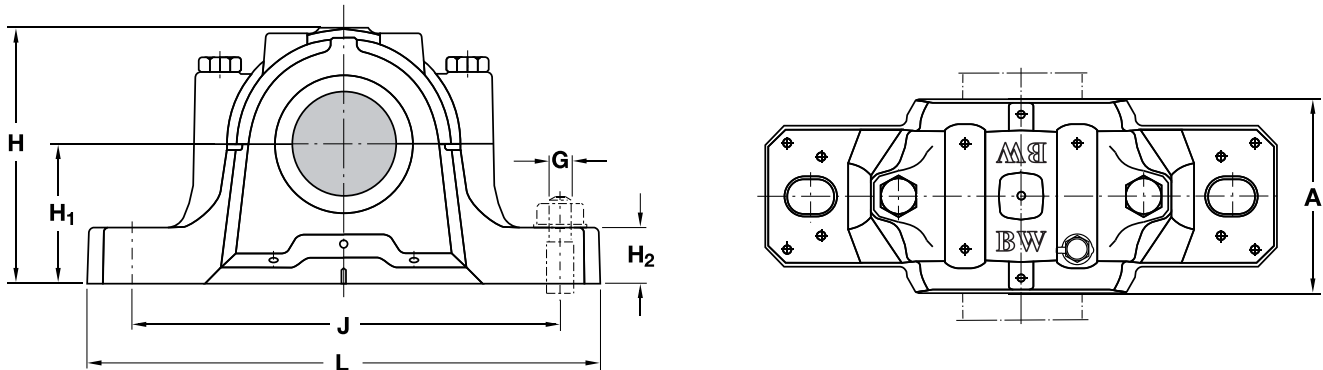
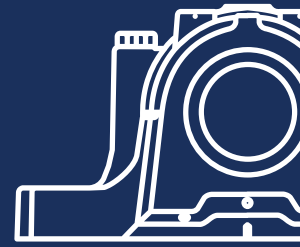
CRUSHERS



MACHINERY

SNL PLUMMER BLOCK

SIZES AND DIMENSIONS



Housing Reference	Shaft d_a mm	Housing Dimensions							Mass kg	*Seals	End Cover
		A mm	H	H ₁	H ₂	J	L	G			
SNL 507-606	30	82	93	50	22	150	185	12	2.20	TSN G 507	ASNH 507-606
SNL 508-607	35	85	108	60	25	170	205	12	2.80	TSN G 508	ASNH 508-607
SNL 509	40	85	109	60	25	170	205	12	2.90	TSN G 509	ASNH 509
SNL 510-608	45	90	113	60	25	170	205	12	3.20	TSN G 510	ASNH 510-608
SNL 511-609	50	92	128	70	28	210	255	12	4.40	TSN G 511	ASNH 511-609
SNL 512-610	55	105	134	70	30	210	255	16	5.10	TSN G 512	ASNH 512-610
SNL 513-611	60	110	149	80	30	230	275	16	6.50	TSN G 513	ASNH 513-611
SNL 515-612	65	115	155	80	30	230	280	16	7.00	TSN G 515	ASNH 515-612
SNL 516-613	70	120	177	95	32	260	315	16	9.50	TSN G 516	ASNH 516-613
SNL 517	75	125	183	95	32	260	320	20	10.00	TSN G 517	ASNH 517
SNL 518-615	80	140	194	100	35	290	345	20	12.50	TSN G 518	ASNH 518-615
SNL 519-616	85	145	212	112	35	290	345	20	13.70	TSN G 519	ASNH 519-616
SNL 520-617	90	160	218	112	40	320	380	20	17.60	TSN G 520	ASNH 520-617
SNL 522-619	100	175	242	125	45	350	410	24	22.00	TSN G 522	ASNH 522-619
SNL 524-620	110	185	271	140	45	350	410	24	26.20	TSN G 524	ASNH 524-620
SNL 526	115	190	290	150	50	380	445	24	33.00	TSN G 526	ASNH 526
SNL 528	125	205	302	150	50	420	500	24	40.00	TSN G 528	ASNH 528
SNL 530	135	220	323	160	60	450	530	30	49.00	TSN G 530	ASNH 530
SNL 532	140	235	344	170	60	470	550	30	55.00	TSN G 532	ASNH 532

* Seal part number listed only for 222xx SRB series with tapered bore type. For different series, please contact Rolman World for clarification.