

Jayne Of All Trades, Inc. 719-428-9321  
 1318 Pecan Street Colorado Springs, CO 80904

Handy cap access ramp. Redwood and cedar lumber. Concrete footers, and landing pad on grade.  
 Adhered to existing deck.

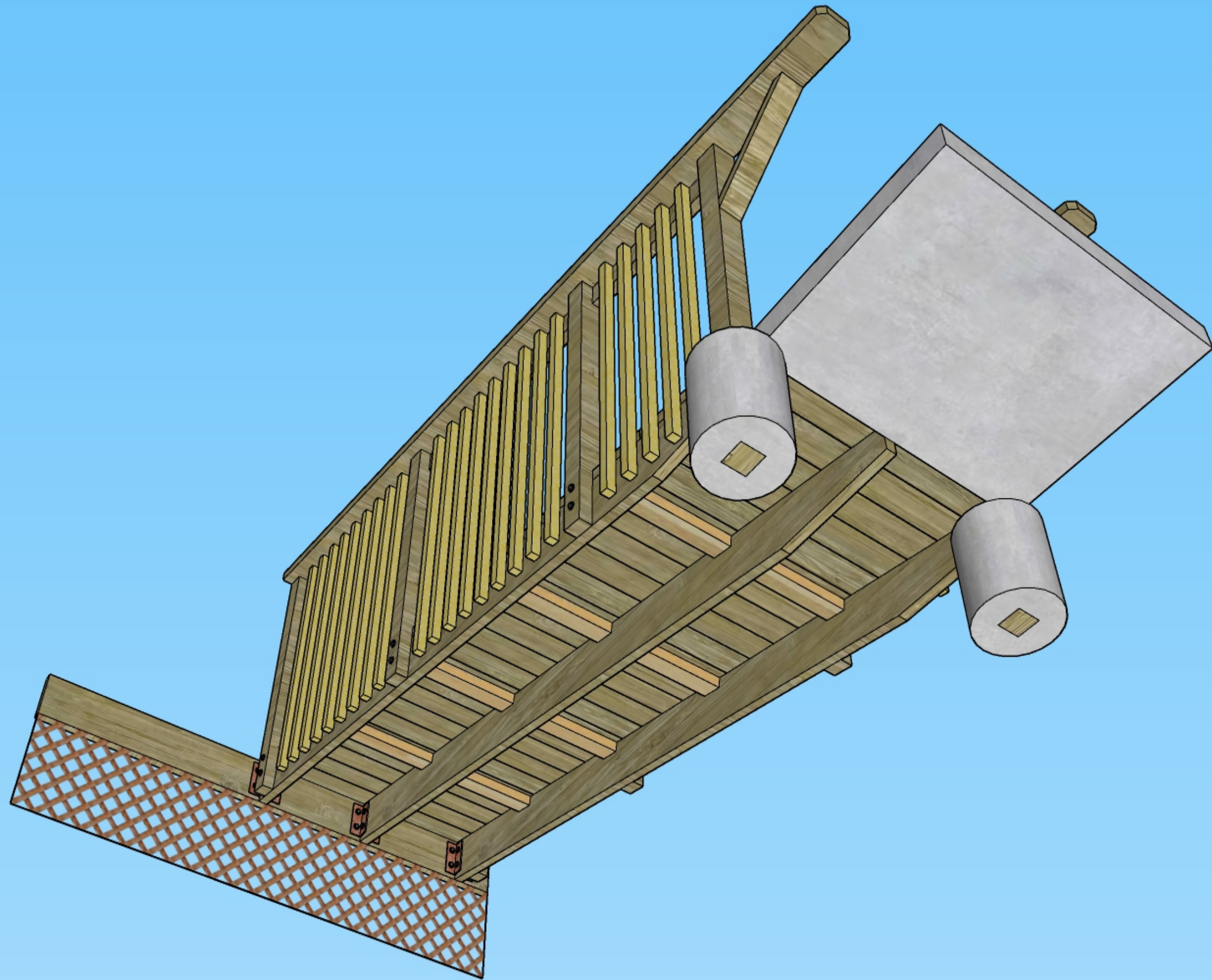
Masel Ramp - 3-D View - Not To Scale

Project Address

**9075 Bonnie Cap Lane  
 Fountain, CO 80817**

A 01





Jayne Of All Trades, Inc. 719-428-9321  
1318 Pecan Street Colorado Springs, CO 80904

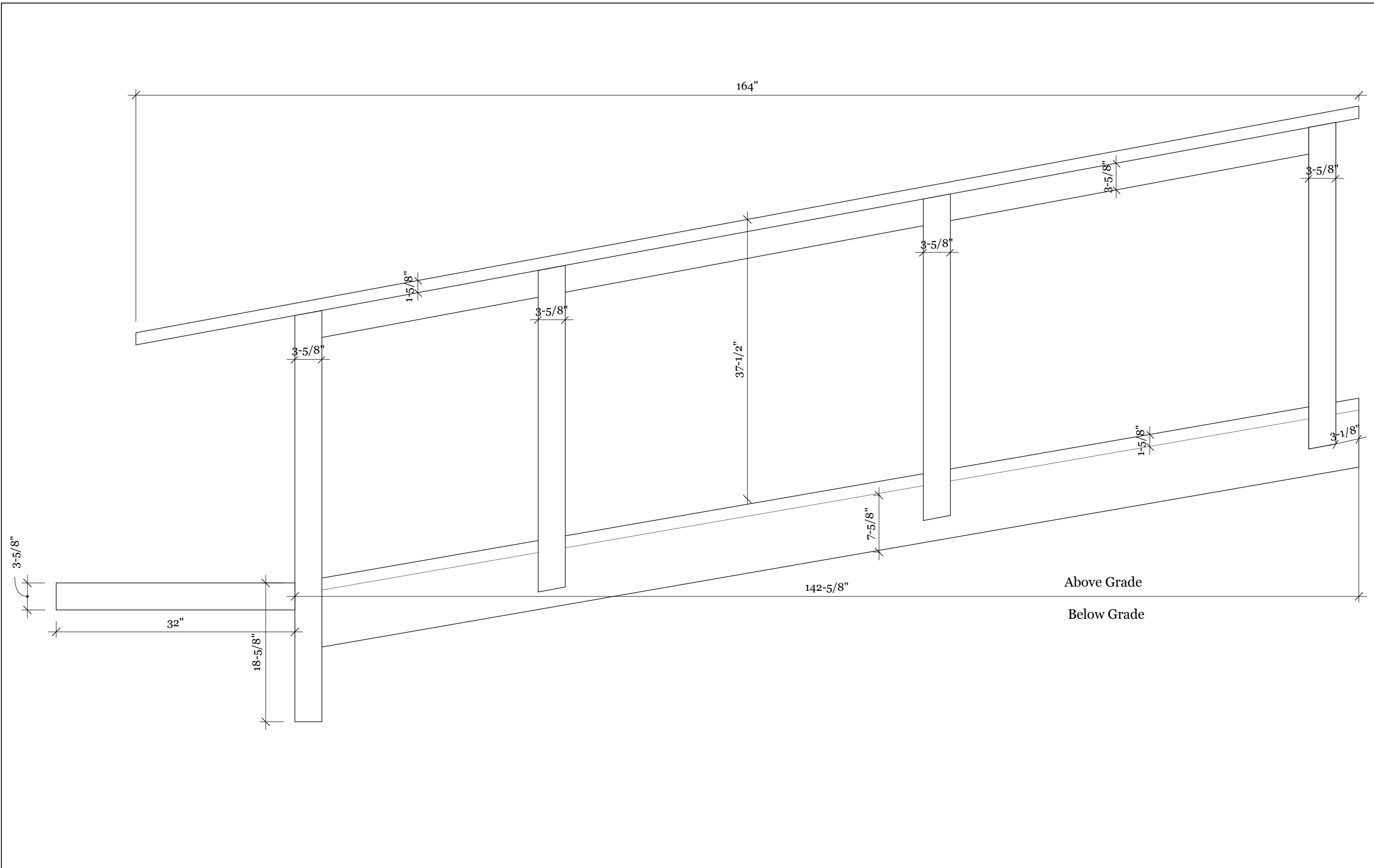
Handy cap access ramp. Redwood and cedar lumber. Concrete footers, and landing pad on grade.  
Adhered to existing deck.

Masel Ramp - Reverse 3-D View - Not To Scale

Project Address

**9075 Bonnie Cap Lane  
Fountain, CO 80817**

A 02




**Jayne Of All Trades, Inc.** 719-428-9321  
 1318 Pecan Street Colorado Springs, CO 80904

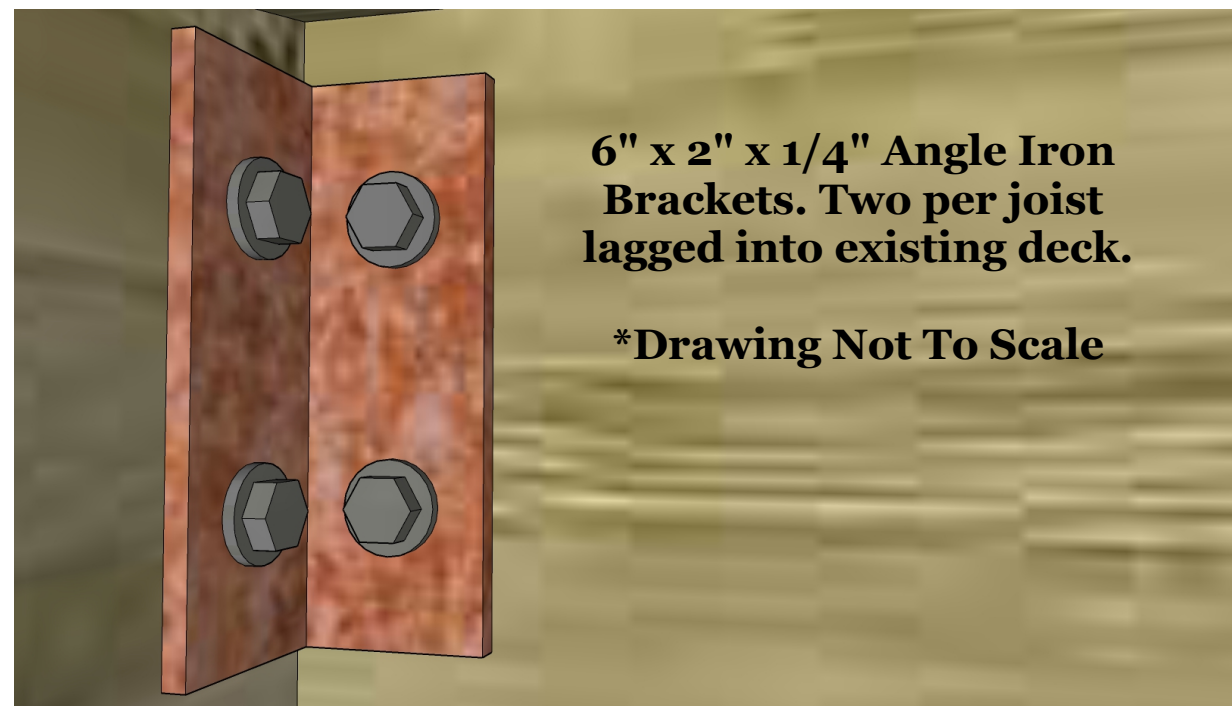
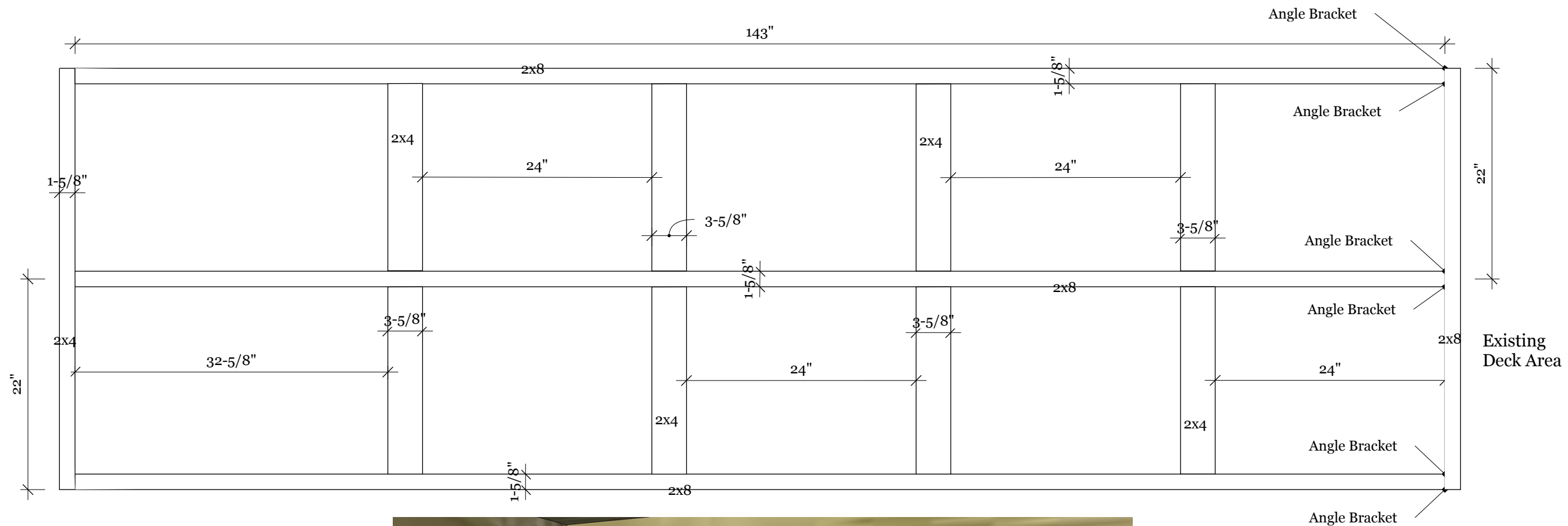
Handy cap access ramp. Redwood and cedar lumber. Concrete footers, and landing pad on grade.  
 Adhered to existing deck.

**Masel Ramp - Side Elevation - Scale 1" = 1'-0" (1:12)**

Project Address  
**9075 Bonnie Cap Lane**  
**Fountain, CO 80817**

**A 03**

Concrete  
Landing Area



Jayne Of All Trades, Inc. 719-428-9321  
1318 Pecan Street Colorado Springs, CO 80904

Handy cap access ramp. Redwood and cedar lumber. Concrete footers, and landing pad on grade.  
Adhered to existing deck.

Masel Ramp - Framing - Scale 1" = 1'-0" (1:12)

Project Address

**9075 Bonnie Cap Lane  
Fountain, CO 80817**

A 04