

PM431 Intelligent small outline digital pressure sensor

MAIN FEATURES

- Measuring range: 0~5kPa~100Mpa
- Stability: $\leq 0.1\%$ FS/year, Temperature drift: $\leq 0.005\%$ FS/°C
- Anti-electromagnetic interference design for harsh environments
- Parameters can be adjusted with buttons
- 4-digit LED display
- Small size, showing eye-catching
- 316L metal diaphragm, strong corrosion resistance



OVERVIEW

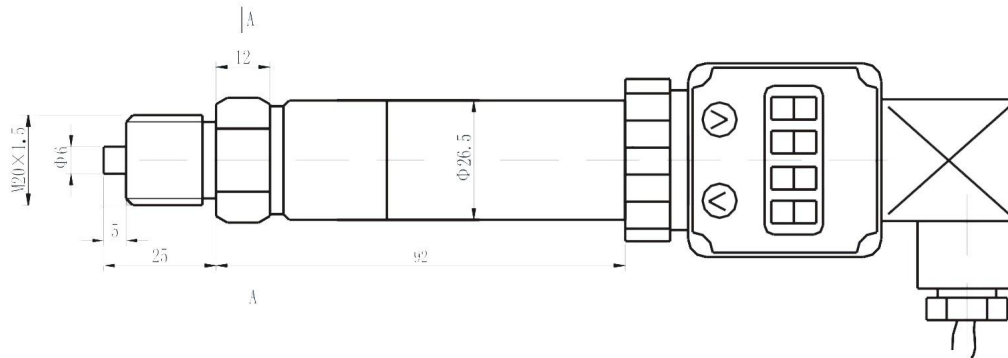
PM431 Intelligent small outline digital pressure transmitter adopts imported high-quality pressure sensor chip, built-in characteristic correction memory E2PROM to correct sensor temperature environment, pressure and input/output characteristics, and through CUP microprocessor operation, automatic temperature compensation, nonlinear correction, signal amplification, V / I conversion and A / D conversion, output 4 ~ 20mA or 1~5V standard signal. The transmitter's small form factor, excellent temperature characteristics, pressure characteristics and input and output characteristics can replace ordinary pressure transmitters. Widely used in the fields of automated detection and control of petroleum, chemical, electric power and environmental protection.

SPECIFICATION

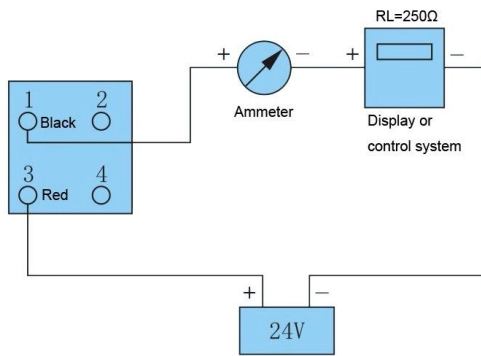
Items	Parameter		
Range	0~10kPa~100Mpa		
Output Signal	4~20mA(1~5V) 2 wire or customized		
Display	4-digit LED		
Accuracy	0.1	0.2	0.3
Nonlinear, Hysteresis, Repeatability	$\leq 0.1\%$ FS	$\leq 0.2\%$ FS	$\leq 0.3\%$ FS
Zero drift	$\leq 0.05\%$ FS/4h	$\leq 0.1\%$ FS/4h	$\leq 0.2\%$ FS/4h
Zero point and sensitivity temperature drift	$\leq 0.005\%$ FS/°C	$\leq 0.01\%$ FS/°C	$\leq 0.02\%$ FS/°C
Long-term stability	$\leq 0.1\%$ FS/year, $\leq 0.2\%$ FS/year		
Operating Voltage	+12 ~ +36V (Default 24V)		
Working temperature	-20°C~+85°C		
Overload capability	300%		
Working life	Pressure cycle $> 1 \times 10^8$ (25°C)		
Load Resistance	$(\Omega) R = (U - 12.5) / 0.02 - R_D$ (U=Voltage, R_D =Cable internal resistance)		
Response time	$\leq 1(10\sim 90\%)ms$		
Measuring medium	All corrosive media compatible with 316L		
Diaphragm material	316L stainless steel		
Housing material	1Cr18Ni9Ti or Aluminum alloy		
Interface	M20×1.5 or customized		
Protection level	IP67		

OUTLINE CONSTRUCTION AND CONNECTION

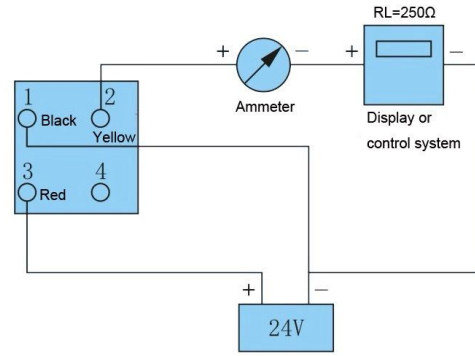
Unit: mm



ELECTRIC CONNECTION



2-wire current output wiring connection



3-wire current output wiring connection

ORDER CODE

Code		Description
PM-		Model code
	B	Anti-corrosion gauge pressure
	G	Anti-corrosion absolute pressure
	FS	Pressure full scale
	I	Current output
	X	External structure
	Z	Precision
	O	Other requirements