

PM425 Flat Film Sanitary Pressure Transmitter

MAIN FEATURES

- Intelligent type can integrate field display and field calibration;
- The hygienic design meets the standards of EHEDG, FDA and GMP;
- Installation interface: clamp, flange, thread, clamp, etc;
- The material and finish meet the sanitary standard;
- Rich electrical connection and process connection, meet waterproof and sanitary stainless steel structure respectively, without sanitary dead angle
- Sensor material or liquid receiving material is 316L stainless steel

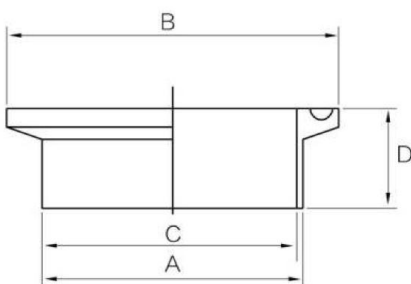


OVERVIEW

PM425 flat film pressure transmitter is all sanitary stainless steel design, with stainless steel seal. The sanitary design conforms to EHEDG / FDA / GMP standard. It is suitable for food, beverage, pharmaceutical and bioengineering industries with special requirements. This product is connected by stainless steel shell and antiseptic sterile stainless steel process to meet the requirements of sanitary level measurement. The highest temperature resistance of the sensor is 150 ° C ~ 200 ° C. It is easy to use and easy to operate without disassembly during cleaning and high temperature sterilization. The product is equipped with integrated integrated circuit, supporting 4-20mA / 1-5vdc analog output and Hart, RS232, RS485 digital communication.

Application: CIP-SIP process control; food, beverage, pharmaceutical and other health fields and fine chemical industry measurement; pressure measurement in various pipelines and containers; measurement of thermal medium, corrosive medium, high temperature viscous medium or crystalline medium.

DIMENSIONS OF SANITARY CHUCK

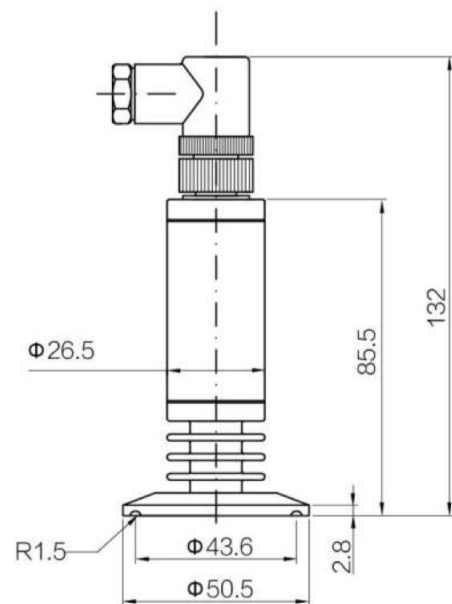
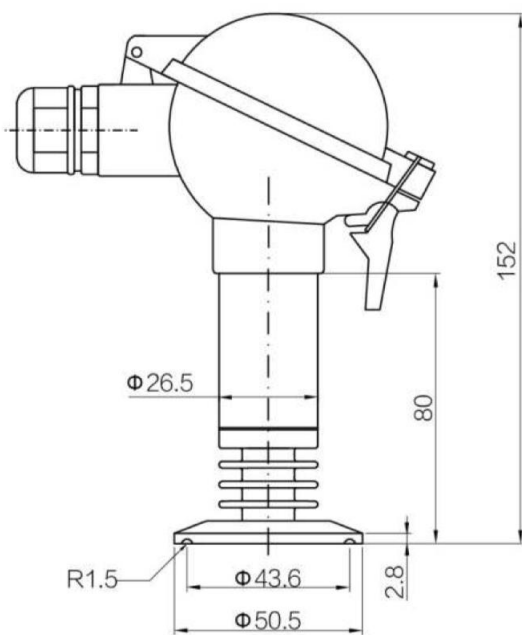


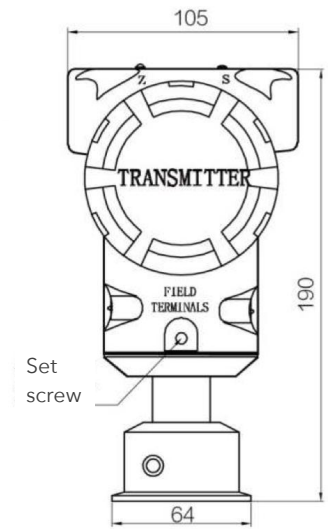
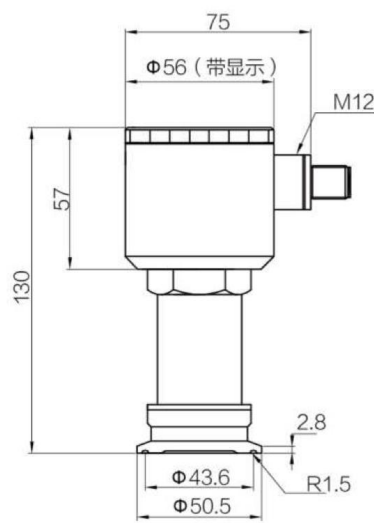
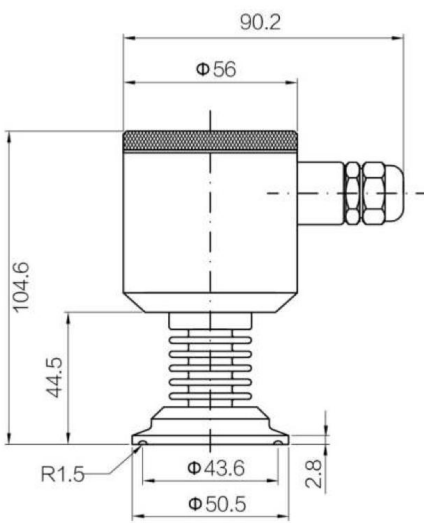
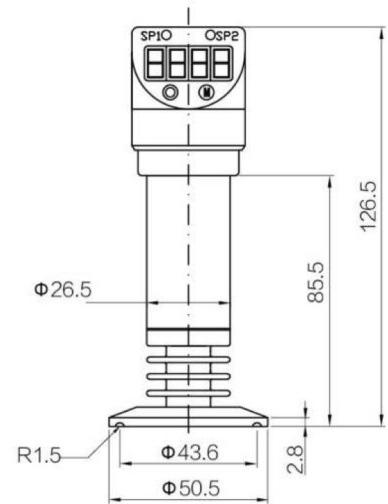
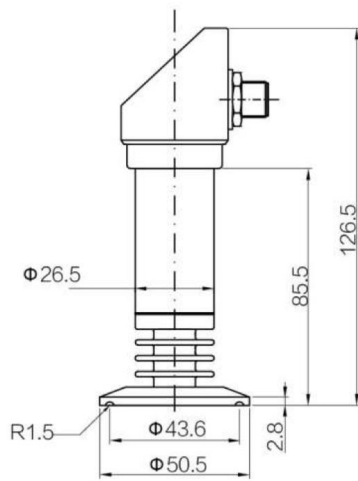
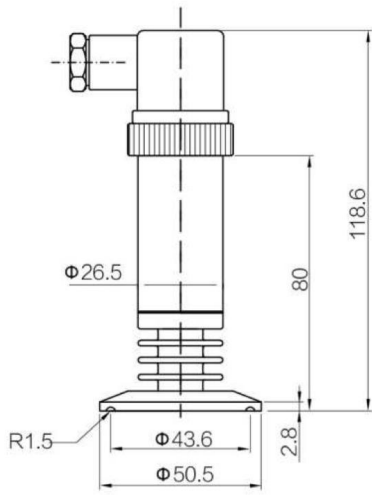
DN	Size	A (Outer diameter of tube)	B (Butt diameter)	C (Inner diameter of pipe)	D (Width)
20	3/4	20	50.5	17.6	21.5
25	1	25	50.5	22.6	21.5
32	1-1/4	32	50.5	29.6	21.5
40	1-1/2	38	50.5	35	21.5
50	2	51	64	48	21.5
60	2-1/2	63.5	77.5	60.5	21.5
80	3	76.1	91	72.1	21.5
90	3-1/2	88.9	106	84.9	21.5
100	4	101.6	119	97.6	28

**SPECIFICATION**

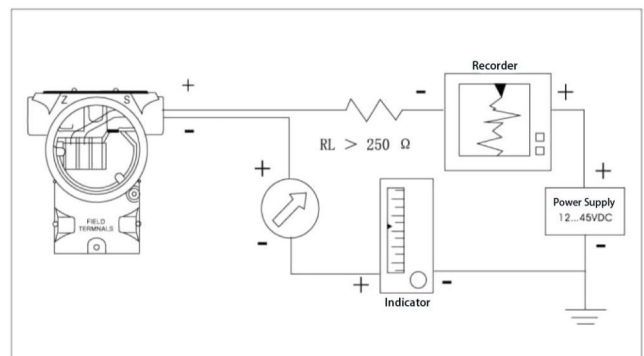
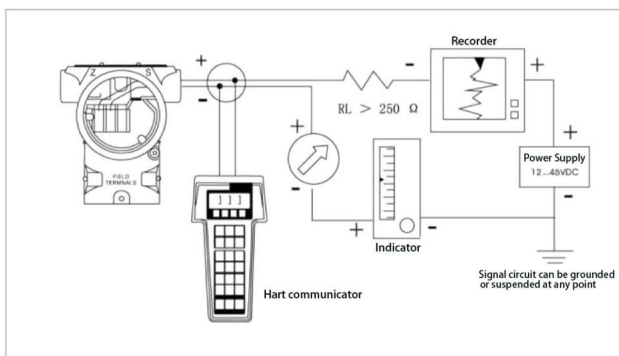
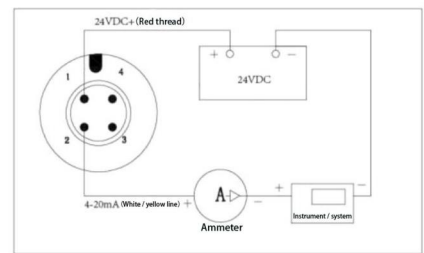
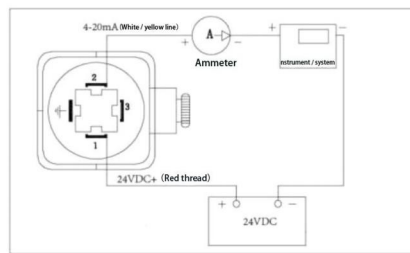
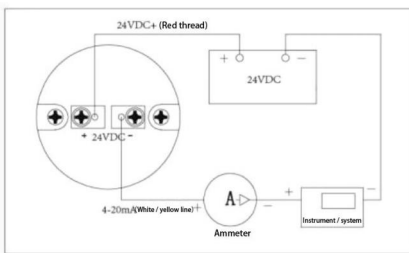
Range	-0.1MPa...0kPa~10kPa...100MPa
Fluid material	Standard: 316L stainless steel ceramics, typical: khashi alloy or gold plated diaphragm
Display range	-1999~9999
Temperature Drift	$\leq \pm 0.05\%FS/^{\circ}C$ (temperature range -20~85 $^{\circ}C$ )
Accuracy	0.1% (custom), 0.25% (typical), 0.5% (maximum)
Zero point	$\leq \pm 0.02\%FS/^{\circ}C$ (Typical), $\leq \pm 0.04\%FS/^{\circ}C$ (Max)
Full point	$\leq \pm 0.02\%FS/^{\circ}C$ (Typical), $\leq \pm 0.04\%FS/^{\circ}C$ (Max)
Heat return difference	$\leq \pm 0.5\%FS$
Filling fluid	1. Silicone oil 2.Synthetic oil or sanitary oil
Response time	Current output max. 2ms, Voltage output max. 10ms
Storage temperature	-40 $^{\circ}C$ ~125 $^{\circ}C$
Medium temperature	-30 $^{\circ}C$ ~300 $^{\circ}C$
Mechanical impact	100g/1ms
Mechanical vibration	Max. 20g: 15~2000Hz
Power supply	12 ~ 36VDC (Power consumption of 30mA)
Output Signal	Analog output: 4mA~20mA (superimposable HART protocol).0V~10V Digital output: RS485 Control output: Switch: 2 way, analog quantity: 1 way
Load error	< 0.5%
Protection level	IP65/IP67

**DIMENSION**





### ELECTRIC CONNECTION



**ORDER CODE**

PM425	Flat Film Sanitary Pressure Transmitter							
	<b>CODE</b>	Electrical form model type						
	<b>A</b>	Sanitary flat film pressure transmitter						
	<b>B</b>	Smart flat film pressure transmitter						
	<b>C</b>	Capacitive flat film pressure transmitter						
	<b>CODE</b>	Electrical connection						
	<b>1</b>	Cast aluminum housing (with waterproof connector)						
	<b>2</b>	M12 waterproof connector						
	<b>3</b>	Explosion-proof connector						
	<b>CODE</b>	Range (Customized)						
	-	-0.1MPa...0kPa~10kPa...100MPa						
	<b>CODE</b>	Signal output						
	<b>1</b>	4~20mA						
	<b>2</b>	1~5VDC, 0~10VDC, 1~10VDC						
	<b>PN</b>	1 way 4~20mA, 2 way relay switch						
	<b>TM</b>	Modbus485, 4~20mA						
	<b>CODE</b>	Process connection						
	<b>B</b>	50.5mm chuck						
	<b>C</b>	64mm chuck						
	<b>D</b>	More customized on request						
	<b>CODE</b>	Accuracy						
	<b>A</b>	±0.075% F.S						
	<b>B</b>	±0.1% F.S						
	<b>C</b>	±0.25% F.S						
	<b>D</b>	±0.5% F.S						
	<b>CODE</b>	Working temperature						
	<b>1</b>	-25°C~85°C						
	<b>2</b>	-35°C~150°C						
	<b>3</b>	-35°C~200°C						
PM425	A	1	30Bar	1	B	A	1	Order example