

**PM420 Miniture Pressure Transmitter**
**MAIN FEATURES**

- Pressure Range: -0.1MPa...0kPa~10kPa...100MPa
- Stability:  $\pm 0.1\%$ FS/year (typical),  $\pm 0.2\%$ FS/year (maximum)
- Accuracy: 0.1% (custom), 0.25% (typical), 0.5% (maximum)
- Anti-jamming design
- Small body, easy installation
- Intrinsically safe explosion


**OVERVIEW**

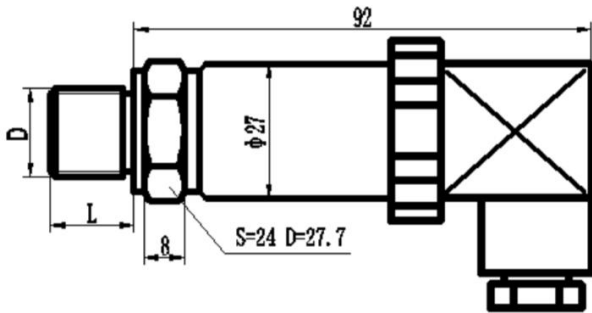
PM420 series anti-corrosion and explosion-proof small-profile pressure transmitter adopts high-precision, high-temperature qualitative force-sensitive chip with stainless steel metal diaphragm. After strict precision temperature compensation, signal amplification, V/I conversion, the pressure parameters are reliably converted into industry standard 4~20mA or 0~10mA signal output, widely used in petroleum, chemical, metallurgy, electric power, textile, environmental protection and other fields.

**SPECIFICATION**

Items	Parameter
Range	-0.1MPa...0kPa~10kPa...100MPa
Overload capability	Below 10MPa $\leq 2$ times full scale 10MPa and above $\leq 1.5$ times full scale
Pressure Type	G (gauge pressure), A (absolute pressure), S (sealed gauge pressure)
Accuracy	0.1% (custom), 0.25% (typical), 0.5% (maximum)
Long-term stability	$\pm 0.1\%$ FS/year (typical), $\pm 0.2\%$ FS/year (maximum)
Zero temperature drift	$\pm 0.03\%$ FS/ $^{\circ}$ C ( $\leq 100$ kPa), $\pm 0.02\%$ FS/ $^{\circ}$ C ( $> 100$ kPa)
Sensitivity temperature drift	$\pm 0.03\%$ FS/ $^{\circ}$ C ( $\leq 100$ kPa), $\pm 0.02\%$ FS/ $^{\circ}$ C ( $> 100$ kPa)
Compensation temperature	0 $^{\circ}$ C~50 $^{\circ}$ C( $\leq 100$ kPa), -10 $^{\circ}$ C~70 $^{\circ}$ C( $> 100$ kPa)
Medium temperature	-40 $^{\circ}$ C~80 $^{\circ}$ C
Power supply	+12 ~ +36V (Default 24V)
Output Signal	4mA~20mA, 0V~10V (output range can be customized)
Load Resistance	Current type: $\leq (U-12) / 0.02 (\Omega)$
Response time	$\leq 1(10\sim 90\%)$ ms
Measuring medium	All corrosive gases, liquids compatible with 316L
Diaphragm material	316L stainless steel
Housing material	1Cr18Ni9Ti
Interface	M20 $\times$ 1.5 or customized
Protection level	IP65 (customizable IP68)

TYPICAL DIMENSION

Unit: mm



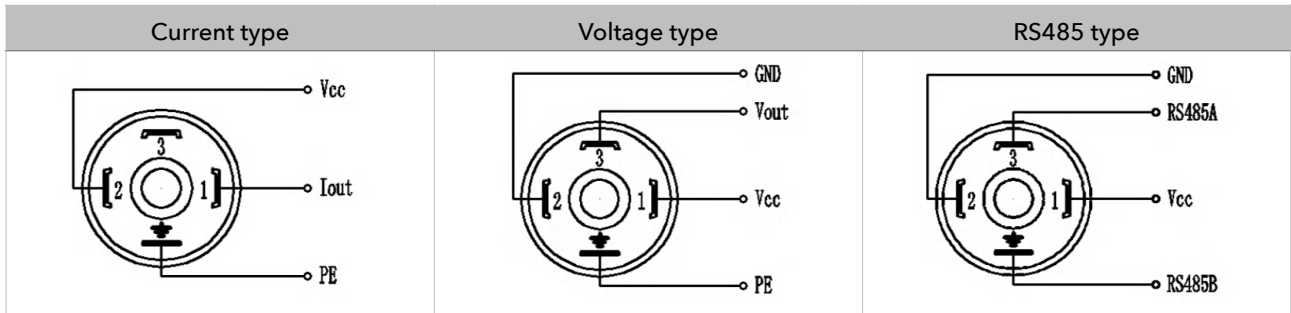
D (Dimension)	L (Length)	D (Dimension)	L (Length)
M22*1.5	15	M10*1	12
G1/2	15	G1/8	12
M20*1.5	15	1/2NPT	18
M18*1.5	15	1/2PT	18
G3/8	15	3/8PT	15
M16*1.5	15	3/8NPT	15
M14*1.5	15	1/4NPT	14
G1/4	14	1/4PT	14
M12*1	14	1/8NPT	12

MORE RECOMMENDATION

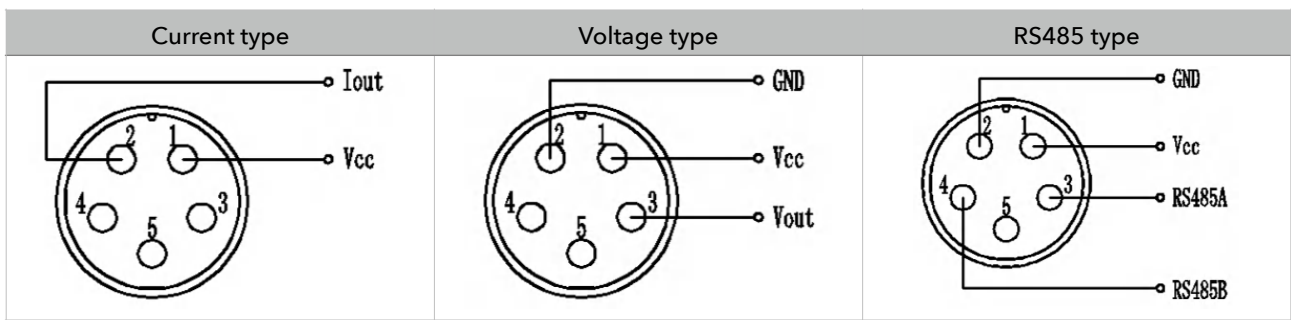
MODEL	FEATURE	OUTLINE CONSTRUCTION
4211	<ol style="list-style-type: none"> <li>Standard Hirschmann connector</li> <li>The full range of threads can be customized</li> <li>Pressure interface materials can be customized</li> <li>Protection grade IP65.</li> </ol>	
4224	<ol style="list-style-type: none"> <li>Waterproof metal joints</li> <li>Flat membrane structure, easy to clean</li> <li>Pressure interface M20 × 1.5, G1/2 optional</li> <li>Protection grade IP66.</li> </ol>	
4226	<ol style="list-style-type: none"> <li>Compact type, outer diameter 22mm</li> <li>Pressure interface material can be customized</li> <li>Protection grade IP66</li> </ol>	
4233	<ol style="list-style-type: none"> <li>Aviation socket</li> <li>Medium temperature range -40~150°C</li> <li>The number of heat sinks, pressure interface materials can be customized</li> <li>Protection grade IP65.</li> </ol>	
4244	<ol style="list-style-type: none"> <li>High reliability liquid level outlet</li> <li>Flat membrane structure, easy to clean</li> <li>Pressure interface M20 × 1.5, G1/2 optional</li> <li>Waterproof rating IP68</li> </ol>	

**ELECTRIC CONNECTION**

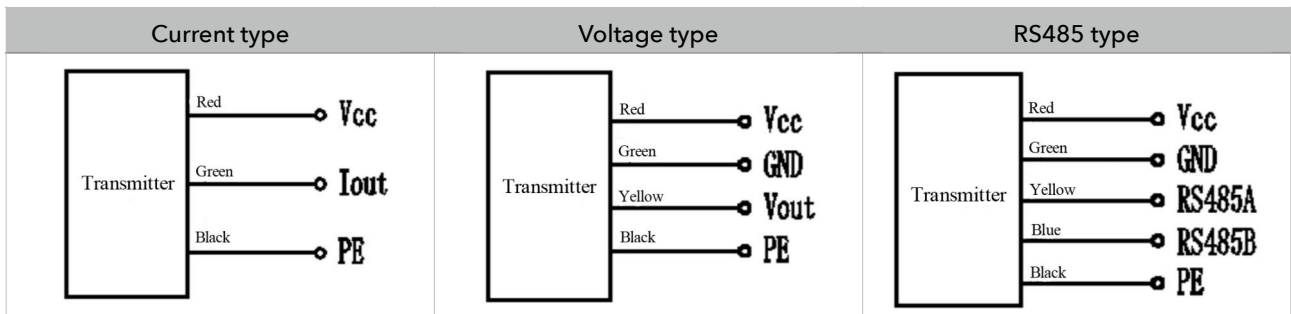
• Hirschmann socket electric connection



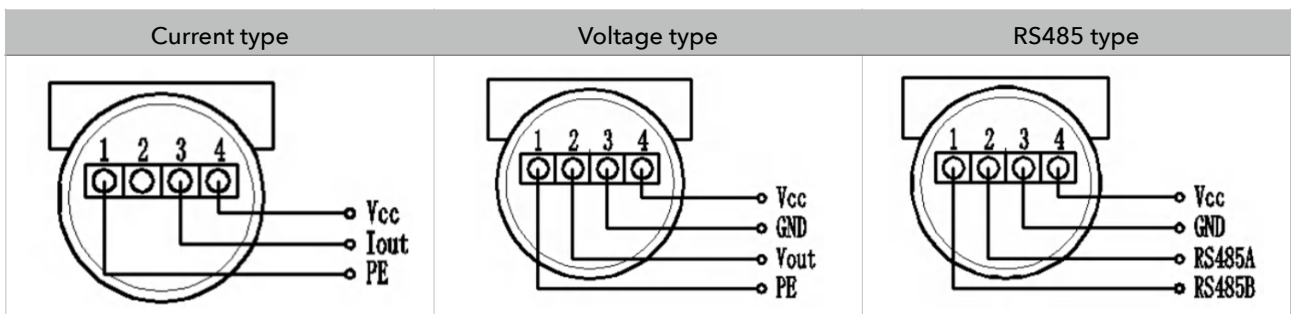
• Aviation socket electric connection



• Direct cable connection



• Industrial digital electric connection



**ORDER CODE**

<b>Code:</b>	A	-	B	-	C	-	D	-	E	-	F	-	G
<b>Model:</b>	PM4211	-	G	-	0-50bar	-	S	-	L	-	G 1/2	-	MA

Model	Code A
Standard Hirschmann connector	4211
Direct cable connection, flat membrane	4224
Direct cable, small body	4226
Aviation socket, high temperature -40~150°C	4233
Flat membrane, fully sealed with IP68	4244
Pressure type	Code B
Gauge pressure	G
Absolute pressure	A
Sealed gauge pressure	S
Pressure Range(X=specific range)	Code C
-0.1MPa ~100MPa	X MPa
-1Bar ~1000Bar	X Bar
-15psi ~15000psi	X psi
Accuracy	Code D
0.1% (custom)	C
0.25%(typical)	T
0.5%(standard)	S
Interface material	Code E
316L	L
Other customized	C

Process connection	Code F
M22*1.5	M22
G1/2	G1/2
M20*1.5	M20
M18*1.5	M18
G3/8	G3/8
M16*1.5	M16
M14*1.5	M14
G1/4	G1/4
M12*1	M12
M10*1	M10
G1/8	G1/8
1/2NPT	1/2NPT
1/2PT	1/2PT
3/8PT	3/8PT
3/8NPT	3/8NPT
1/4NPT	1/4NPT
1/4PT	1/4PT
1/8NPT	1/8NPT
Output signal	Code G
4~20mA	MA
0~10V	V1
0~5V	V5
RS485	RS
More output customized	C

**Remarks:**

1. The structure and types of this series are so much. In order to recommend the most suitable product for you, please specify the use environment and measurement media when consulting.
2. The cable materials are available in PVC, PUR, PE, and ZRPVC. The default is PVC material. If you have special requirements, please specify when ordering.
3. Flat membrane product joint material is 316L, joints are always equipped with M20 × 1.5, G1/2 two types joints. Please consult for special requirements.
4. More other size except above mentioned could be customized according to the drawings provided.
5. LOGO print is available once authorized.