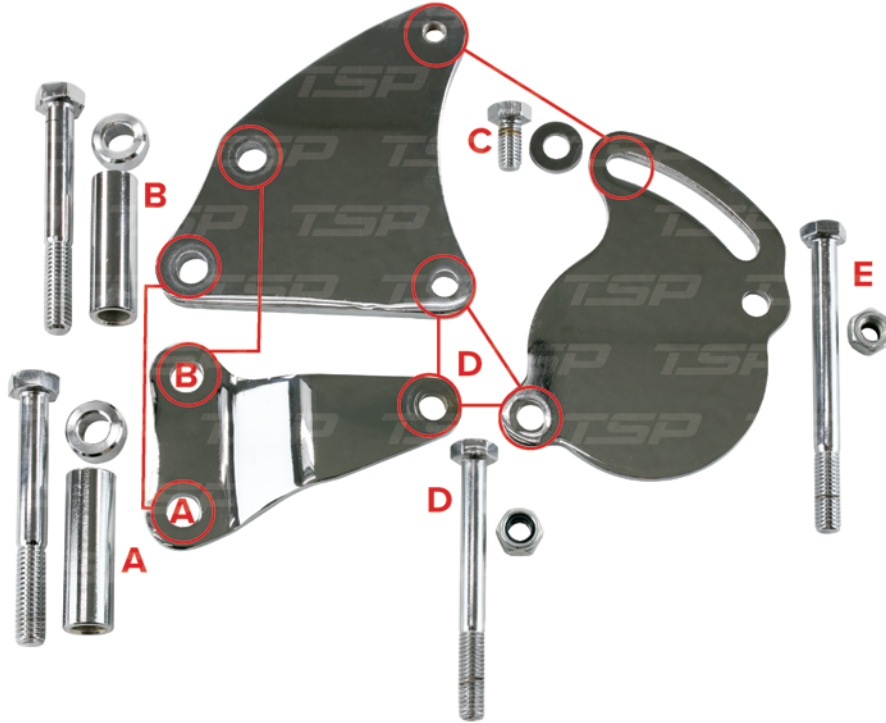
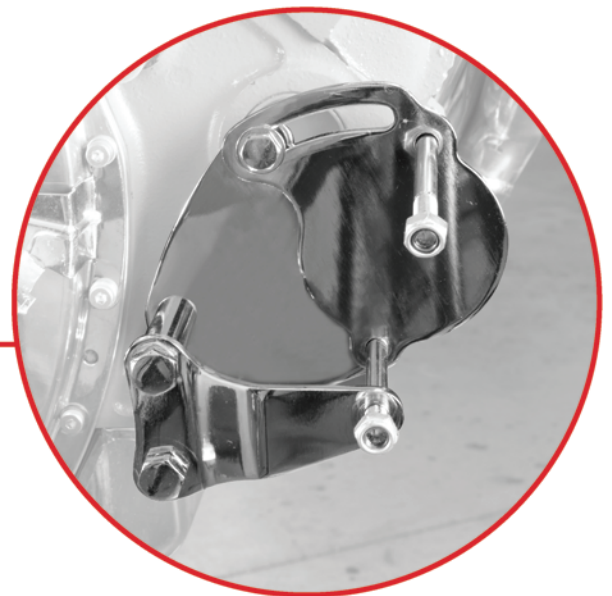
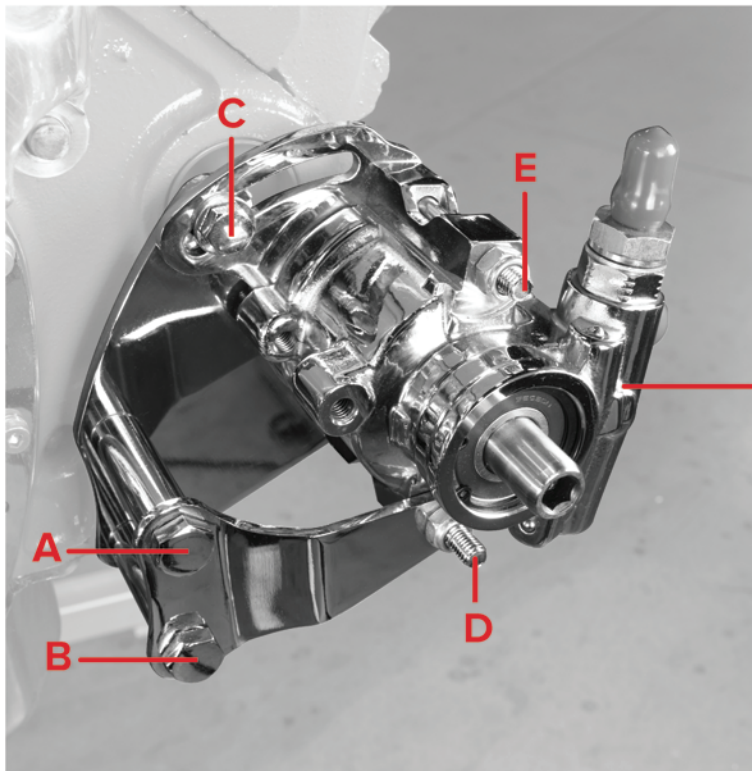


**PARTS INCLUDED**



**INSTALLED JM9116**



\*without power steering pump

**NOTE:** If your pump has threaded mounting holes it will be necessary to drill them to 21/64".