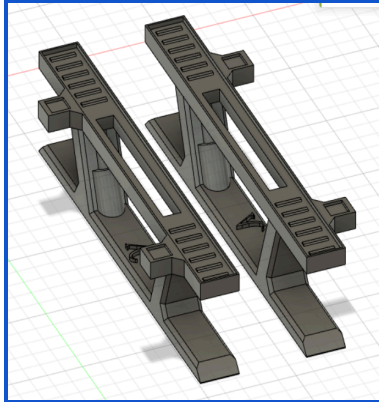




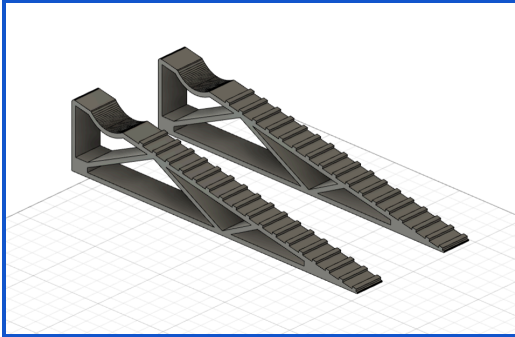
Support et Rampe / Support and Ramp



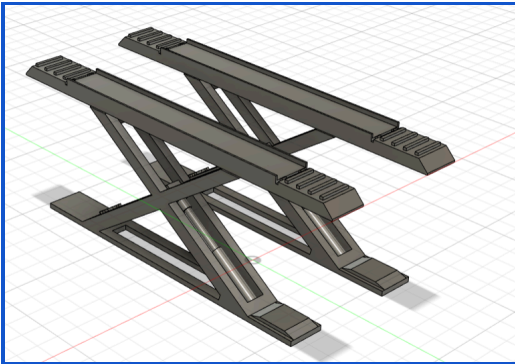
Rampes d'alignement de roue / Wheel alignment ramp

Comprend / Included		Photo / Picture
2X Rampes / Ramps	Possibilité couleur custom Possibility of custom color	
Dimension 1/18 / Ha = 5.6 cm / Lo = 21.9 cm / La = 3.9 cm	Sup 1-118	
Dimension 1/24 / Ha = 4.2 cm / Lo = 16.4 cm / La = 1.9 cm	Sup 1-124	

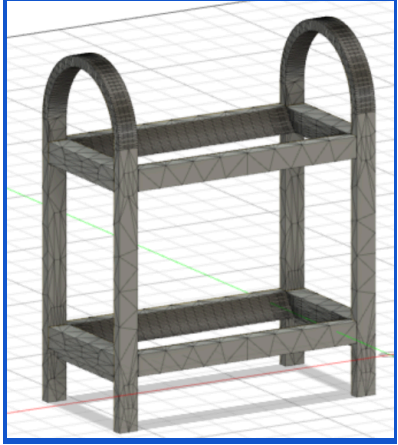
Rampes de présentation triangulaire / Triangular ramp

Comprend / Included		Photo / Picture
2X Rampes / Ramps	Possibilité couleur custom Possibility of custom color	
Dimension 1/18 / Ha = 4.2 cm / Lo = 21.9 cm / La = 2.0 cm	Sup 18-118	
Dimension 1/24 / Ha = 3.1 cm / Lo = 16.4 cm / La = 1.5 cm	Sup 18-124	

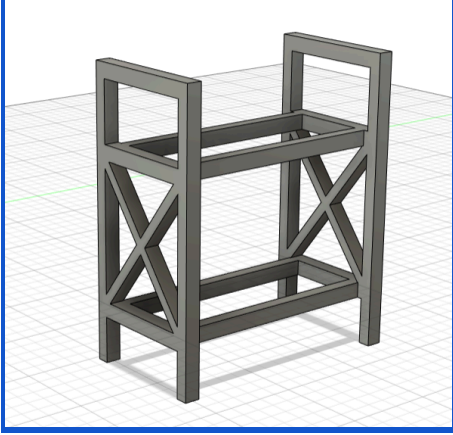
Rampes Ciseaux / Cisor ramp

Comprend / Included		Photo / Picture
2X Rampes / Ramps	Possibilité couleur custom Possibility of custom color	
Dimension 1/18 / Ha = 8.3 cm / Lo = 19.3 cm / La = 2.2 cm	Sup 11-118	
Dimension 1/24 / Ha = 6.4 cm / Lo = 14.4 cm / La = 1.6 cm	Sup 11-124	

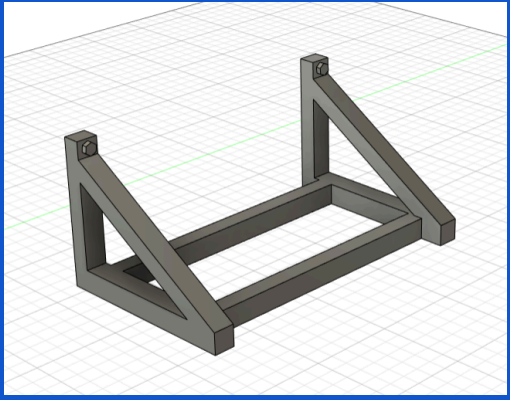
Support pour pneu A / Tire rack A

Comprend / Included		Photo / Picture
<p align="center">2X Côtés / Sides 2X Tablettes / Shelves</p>	Démontable / Dismountable	
<p align="center">Dimension 1/18 / Ha = 9.6 cm / Lo = 8.1 cm / La = 4.1 cm</p>	Sup 3-118	
<p align="center">Dimension 1/24 / Ha = 7.4 cm / Lo = 6.1 cm / La = 3.0 cm</p>	Sup 3-124	

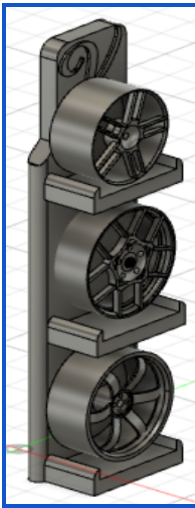
Support pour pneu B / Tire rack B

Comprend / Included		Photo / Picture
<p align="center">1X Support à pneu / Tire rack</p>	Possibilité couleur custom Possibility of custom color	
<p align="center">Dimension 1/18 / Ha = 9.0 cm / Lo = 8.0 cm / La = 4.3 cm</p>	Sup 3-118	
<p align="center">Dimension 1/24 / Ha = 6.7 cm / Lo = 6.0 cm / La = 3.2 cm</p>	Sup 3-124	

Support à pneu mural / Wall mount tire rack

Comprend / Included		Photo / Picture
<p align="center">1X Support à pneu / Tire rack</p>	Possibilité couleur custom Possibility of custom color	
<p align="center">Dimension 1/18 / Ha = 3.4 cm / Lo = 7.3 cm / La = 4.3 cm</p>	Sup 3-118	
<p align="center">Dimension 1/24 / Ha = 2.5 cm / Lo = 5.4 cm / La = 3.2 cm</p>	Sup 3-124	

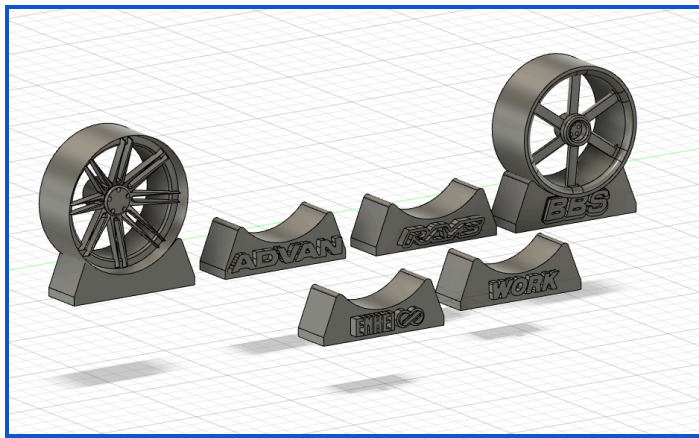
Présentoir a roue de mag A / Wheel display A

Comprend / Included		Photo / Picture
1X Présentoir / Display 3X Tablettes / Shelves	Roue non compris Wheel not included	
Dimension 1/18 / H = 12.3 cm / L = 3.0 cm / W = 2.0 cm	Sup 4-118	
Dimension 1/24 / H = 9.1 cm / L = 2.2 cm / W = 1.4 cm	Sup 4-124	

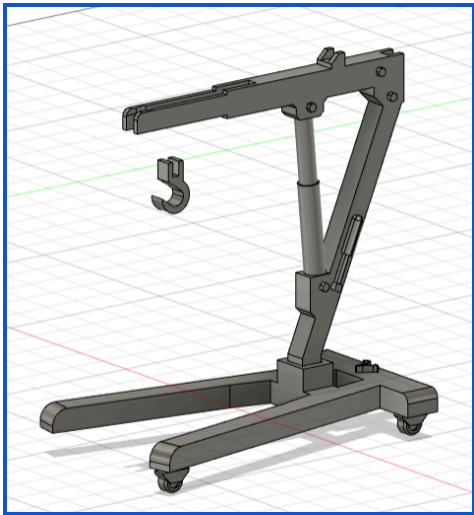
Présentoir a roue de mag B / Wheel display B

Comprend / Included		Photo / Picture
1X Présentoir / Display BBS / Enkei / Rays / Plain	Mag non compris Wheel not included	
Dimension 1/18 / H = 12.7 cm / L = 4.8 cm / W = 1.3 cm	Sup 19-118	
Dimension 1/24 / H = 9.6 cm / L = 3.6 cm / W = 1.0 cm	Sup 19-124	


Présentoir a roue individuelle / Single wheel display

Comprend / Included		Photo / Picture
3X Présentoir / Display Enkei / Work / BBS / Rays /Advan (6 modèles / models)	Mag non compris Wheel not included	
Dimension 1/18 / H = 1.0 cm / L = 3.1 cm / W = 1.0 cm	Sup 20-118	
Dimension 1/24 / H = 8.0 mm / L = 2.3 cm / W = 8.0 mm	Sup 20-124	

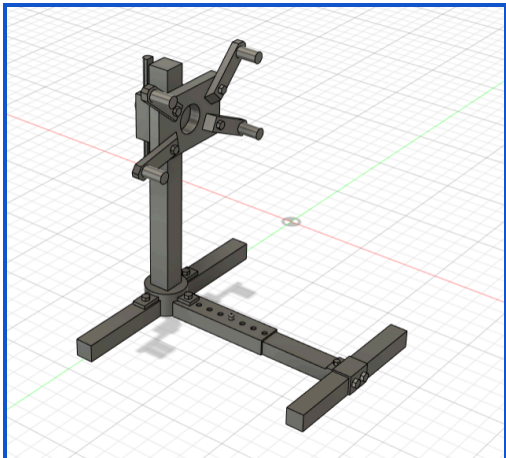
Chèvre moteur / Engine lift

Comprend / Included		Photo / Picture
1X Levier à moteur / Engine lift 1X Base 1X Crochet / Hook	Vrai chaîne Real chain	
Dimension 1/18 / H = 8.4 cm / L = 9.2 cm / W = 5.0 cm	Sup 5-118	
Dimension 1/24 / H = 7.3 cm / L = 7.8cm / W = 4.0 cm	Sup 5-124	

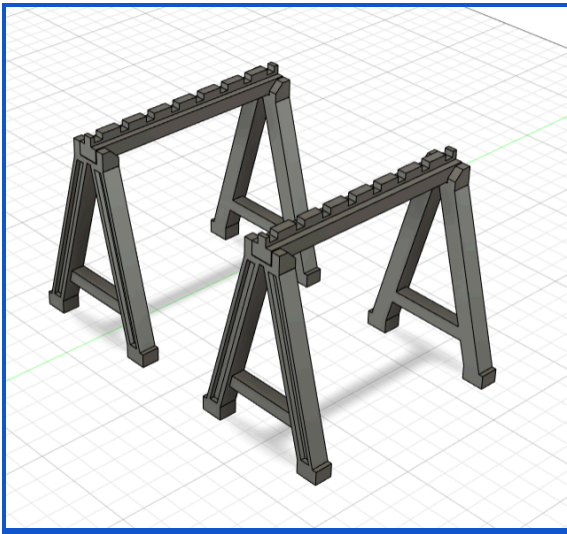
Support a moteur (Chain block) / Engine lift (Chain block)

Comprend / Included		Photo
1X Chain block 1X Poulie / Pulley 1X Crochet / Hook	Vrai chaîne Real chain	
Dimension 1/18 / H = 14.0 cm / L = 18.2 / W = 9.6 cm	Sup 14-118	
Dimension 1/24 / H = 10.0 cm / L = 15.6 / W = 7.2 cm	Sup 14-124	

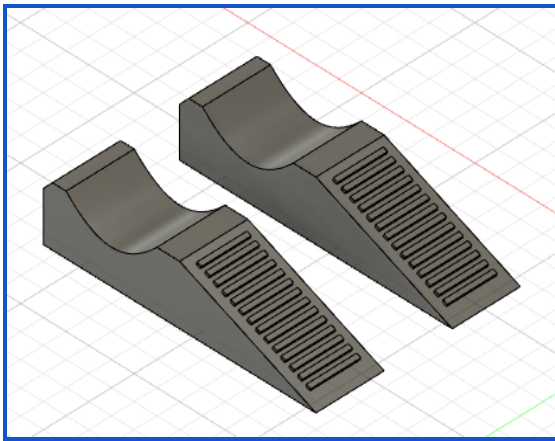
Support a moteur / Engine stand

Comprend / Included		Photo / Picture
1X Support a moteur / Motor mount	Possibilité couleur custom Possibility of custom color	
Dimension 1/18 / H = 7.2 cm / L = 6.5 cm / W = 6.7 cm	Sup 6-118	
Dimension 1/24 / H = 5.4 cm / L = 4.8 cm / W = 5.0 cm	Sup 6-124	

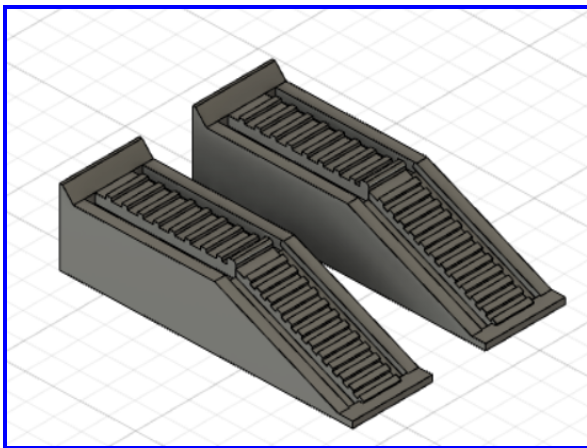
Tréteaux de peinture X2 / Painting Trestles X2

Comprend / Included		Photo / Picture
2X Tréteaux / Trestles	Démontable / Dismountable	
<p align="center">Dimension 1/18 / H = 4.7 cm / L = 5.0 cm / W = 3.1 cm</p>	Sup 21-118	
<p align="center">Dimension 1/24 / H = 3.6 cm / L = 3.7 cm / W = 2.3 cm</p>	Sup 21-124	

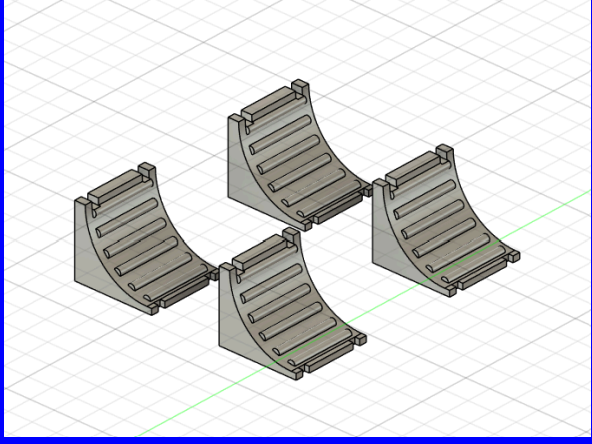
Mini rampes de garage A / Small ramp A

Comprend / Included		Photo / Picture
2X Mini rampes / Small ramps	Possibilité couleur custom Possibility of custom color	
<p align="center">Dimension 1/18 / H = 1.2 cm / L = 6.0 cm / W = 1.5 cm</p>	Sup 7-118	
<p align="center">Dimension 1/24 / H = 9 mm / L = 4.0 cm / W = 1.1 cm</p>	Sup 7-124	

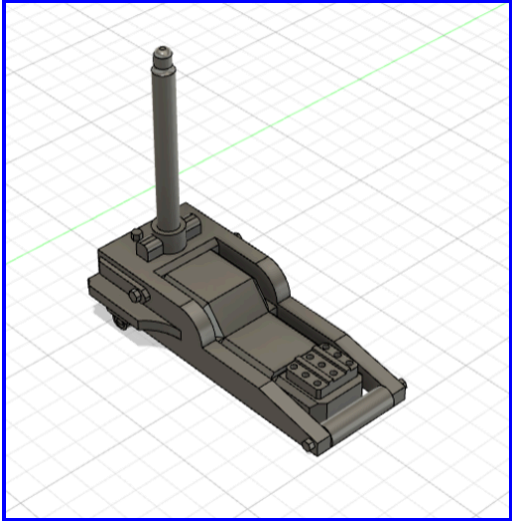
Mini rampe de garage B / Small ramp B

Comprend / Included		Photo / Picture
2X Mini rampes / Small ramps	Possibilité couleur custom Possibility of custom color	
<p align="center">Dimension 1/18 / H = 1.2 cm / L = 5.3 cm / W = 1.5 cm</p>	Sup 16-118	
<p align="center">Dimension 1/24 / H = 9.0 mm / L = 3.9 cm / W = 1.1 cm</p>	Sup 16-124	

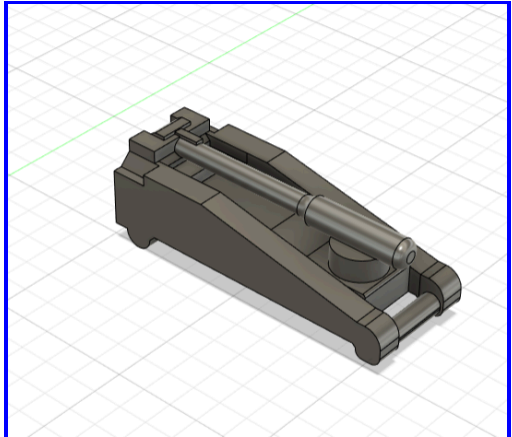
Arrêt de roue / Wheel stop

Comprend / Included		Photo / Picture
4X Arrêt de roue / Wheel stopper	Possibilité couleur custom Possibility of custom color	
<p align="center">Dimension 1/18 / H = 1.4 cm / L = 1.6 cm / W = 1.6 cm</p>	Sup 12-118	
<p align="center">Dimension 1/24 / H = 1.0 cm / L = 1.2 cm / W = 1.2 cm</p>	Sup 12-124	

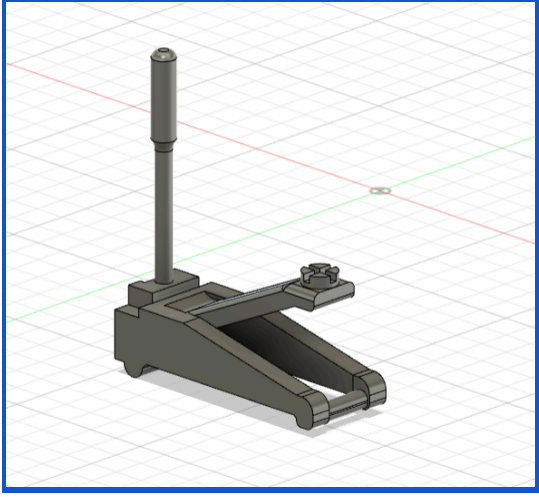
Cric hydraulique 6000 tonnes / 6000 T hydraulic jack

Comprend / Included		Photo / Picture
1X Cric hydraulique / Hydraulic jack	-Possibilité couleur custom Possibility of custom color	
<p align="center">Dimension 1/18 / H = 5.0 cm / L = 5.4 cm / W = 2.7 cm</p>	Sup 8-118	
<p align="center">Dimension 1/24 / H = 3.6 cm / L = 4.0 cm / W = 2.0 cm</p>	Sup 8-124	

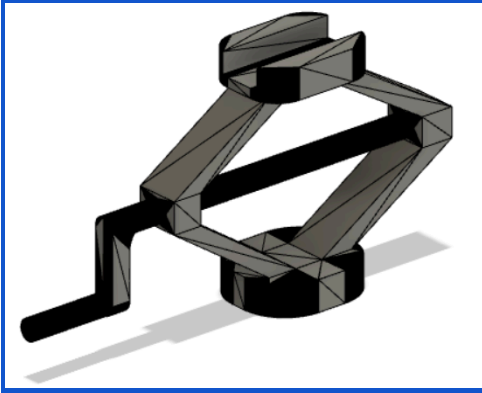
Cric hydraulique Fermé (4 tonnes) / Closed hydraulic jack

Comprend / Included		Photo / Picture
1X Cric hydraulique / Hydraulic jack	--Possibilité couleur custom Possibility of custom color	
<p align="center">Dimension 1/18 / H = 1.4 cm / L = 5.3 cm / W = 2.0 cm</p>	Sup 9-118	
<p align="center">Dimension 1/24 / H = 1.0 cm / L = 4.0 cm / W = 1.5 cm</p>	Sup 9-124	

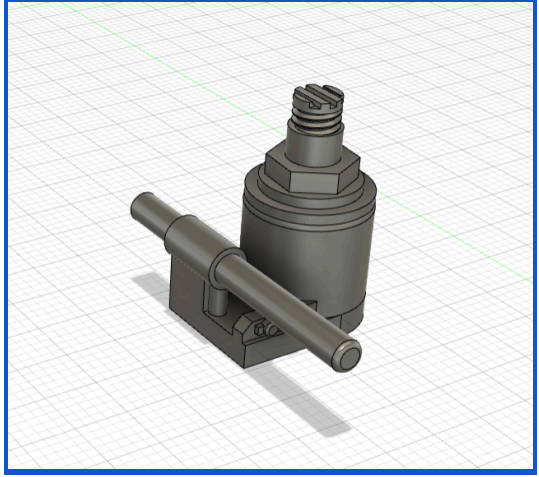
Cric hydraulique ouvert (4 tonnes) / Open hydraulic jack

Comprend / Included		Photo / Picture
1X Cric hydraulique / Hydraulic jack	Soutiens une voiture Support a car	
Dimension 1/18 / H = 5.9 cm / L = 5.3 cm / W = 2.0 cm	Sup 17-118	
Dimension 1/24 / H = 4.5 cm / L = 4.0 cm / W = 1.5 cm	Sup 17-124	

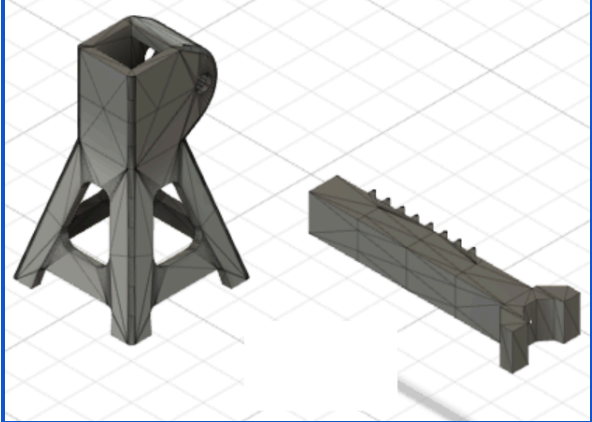
Cric de dépannage / Emergency jack

Comprend / Included		Photo / Picture
2X Cric de dépannage / Emergency jack	-Possibilité couleur custom Possibility of custom color	
Dimension 1/18/ H = 2.0 cm / L = 3.5 cm / W = 1.0 cm Non disponible à l'échelle 1/24	Sup 2-118	

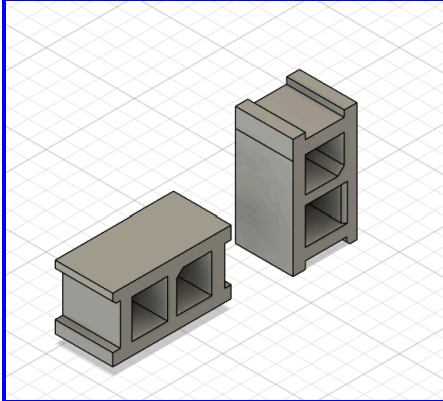
Cric hydraulique (Bouteille) / Hydraulic jack (Bottle)

Comprend / Included		Photo / Picture
2X Cric hydraulique / Hydraulic jack	-Possibilité couleur custom Possibility of custom color	
Dimension 1/18 / H = 2.6 cm / L = 2.0 cm / W = 1.3 cm	Sup 10-118	
Dimension 1/24 / H = 2.0 cm / L = 1.5 cm / W = 1.0 cm	Sup 10-124	

Chandelles de soutiens / Jack stand

Comprend / Included		Photo / Picture
2X Chandelle de soutiens / Jack stand	Ajustable en hauteur / height adjustable	
Dimension 1/18 / H = 2.4 cm / L = 1.5 cm / W = 1,5 cm	Sup 13-118	
Dimension 1/24 / H = 2.0 cm / L = 1.0 cm / W = 1.0 cm	Sup 13-124	

Parpaing de béton pour support automobile / Concrete block

Comprend / Included		Photo / Picture
2X Parpaing de béton / Concrete block	Pour soulever une voiture To lift a car	
Dimension / H = 1.6 cm / L = 3.5 cm / W = 1.8 cm	Sup 15-118	
Dimension 1/24 / H = 1.3 cm / L = 2.5 cm / W = 1.2 cm	Sup 15-124	