



# OWNER'S/PARTS MANUAL

## AC WEEDROLLER

REGULATIONS FOR WEED REMOVAL VARY FROM STATE TO STATE. CONSULT YOUR STATE AND LOCAL WEED REMOVAL REGULATIONS. REFER TO ACCOMPANYING GUIDELINE MANUAL FOR ADDITIONAL INFORMATION.

RECORD SERIAL NUMBER HERE

## BEFORE YOU BEGIN

---

### DEAR WEEDROLLER CUSTOMER,

Thank you for purchasing a Crary WeedRoller. The WeedRoller is designed, tested, and manufactured to give years of dependable performance. It is necessary to correctly adjust and make regular inspections to keep your WeedRoller operating at peak efficiency. The following pages will assist in the installation, operation and maintenance of your machine. Please read this manual before operating the WeedRoller.

If you have any questions or comments about this manual, please call us toll-free at 1-800-247-7335.

Please call or write your local factor-authorized WeedRoller dealer with questions or problems with your WeedRoller.

This document is based on information available at the time of its publication. WeedRoller is continually making improvements and developing new equipment. In doing so, we reserve the right to make changes or add improvements to our product without obligation for equipment previously sold.

### PLEASE SEND US YOUR WARRANTY CARD

A warranty card is included with the WeedRoller. Please take the time to fill in the information requested on the card. When you send your completed card to us, we will register your WeedRoller and start your coverage under our limited warranty.

---

### SERIAL NUMBER LOCATION

Always give your authorized WeedRoller dealer the serial number of your WeedRoller when ordering parts, requesting service or any other information.

Please record the serial number in the space provided on the front cover and on the warranty and registration card.

#### How to Contact Crary Industries

##### ADDRESS

**Crary Industries**  
237 NW 12th Street  
PO Box 849  
West Fargo, ND 58078

##### PHONE

800-247-7335  
701-282-5520  
Fax: 701-282-9522

##### E-MAIL

sales@crary.com  
service@crary.com

##### HOURS

M-F, 8 a.m. to 5 p.m.  
Central Time

MANUFACTURED BY CRARY INDUSTRIES  
WEST FARGO, NORTH DAKOTA 58078 U.S.A.  
SERIAL NUMBER   
MANUFACTURED IN U.S.A.

*Serial Number Decal*

## LIMITED WARRANTY

This warranty applies to all AG and Outdoor Power Equipment manufactured by Crary Industries.

Crary Industries warrants to the original owner each new Crary Industries product to be free from defects in material and workmanship, under normal use and service. The warranty shall extend 1 year from date of delivery for income producing (commercial) applications and 2 years from date of delivery for non-income producing (consumer) use of the product. The product is warranted to the original owner as evidenced by a completed warranty registration on file at Crary Industries. Replacement parts are warranted for (90) days from date of installation.

**THE WARRANTY REGISTRATION MUST BE COMPLETED AND RETURNED TO CRARY INDUSTRIES WITHIN 10 DAYS OF DELIVERY OF THE PRODUCT TO THE ORIGINAL OWNER OR THE WARRANTY WILL BE VOID.**

In the event of a failure, return the product, at your cost, along with proof of purchase to the selling Crary Industries dealer. Crary Industries will, at its option, repair or replace any parts found to be defective in material or workmanship. Warranty on any repairs will not extend beyond the product warranty. Repair or attempted repair by anyone other than a Crary Industries dealer as well as subsequent failure or damage that may occur as a result of that work will not be paid under this warranty. Crary Industries does not warrant replacement components not manufactured or sold by Crary Industries.

1. This warranty applies only to parts or components that are defective in material or workmanship.
2. This warranty does not cover normal wear items including but not limited to bearings, belts, pulleys, filters and chipper knives.
3. This warranty does not cover normal maintenance, service or adjustments.
4. This warranty does not cover depreciation or damage due to misuse, negligence, accident or improper maintenance.
5. This warranty does not cover damage due to improper setup, installation or adjustment.
6. This warranty does not cover damage due to unauthorized modifications of the product.
7. Engines are warranted by the respective engine manufacturer and are not covered by this warranty.

Crary Industries is not liable for any property damage, personal injury or death resulting from the unauthorized modification or alteration of a Crary product or from the owner's failure to assemble, install, maintain or operate the product in accordance with the provisions of the Owner's manual.

Crary Industries is not liable for indirect, incidental or consequential damages or injuries including but not limited to loss of crops, loss of profits, rental of substitute equipment or other commercial loss.

This warranty gives you specific legal rights. You may have other rights that may vary from area to area.

Crary Industries makes no warranties, representations or promises, expressed or implied as to the performance of its products other than those set forth in this warranty. Neither the dealer nor any other person has any authority to make any representations, warranties or promises on behalf of Crary Industries or to modify the terms or limitations of this warranty in any way. Crary Industries, at its discretion, may periodically offer limited, written enhancements to this warranty.

**CRARY INDUSTRIES RESERVES THE RIGHT TO CHANGE THE DESIGN AND/OR SPECIFICATIONS OF ITS PRODUCTS AT ANY TIME WITHOUT OBLIGATION TO PREVIOUS PURCHASERS OF ITS PRODUCTS.**

## IMPORTANT

### **The WeedRoller is Unique:**

The patented WeedRoller is the only device of its kind utilizing the concept of surface activity to free a defined area of weeds and light sediments. Because of its uniqueness, many neighbors, observers, and even natural resource officials may be unfamiliar with the product and what it does.

The legal restrictions governing the WeedRoller vary from state to state. There may be restrictions because of federal regulations, county or city authorities, lake associations, or private access lakes. Please check into any new or additional concerns that may apply to your individual application.

### **The WeedRoller is Environmentally Friendly:**

The WeedRoller is 100% chemical free. Seasonal use of the WeedRoller will eliminate the need for adding toxic weed control chemicals that are harmful to lake life, water quality and even the health of people and animals.

The WeedRoller has been known to provide great spawning areas for most types of fish. It also can provide the perfect "attack" zone for fish. This "weed line" is where large fish hide waiting for the smaller fish to appear in the open. The attack zone is a great area for fishing.

### **The WeedRoller is Safe:**

The WeedRoller works automatically when the waterfront is not in use. WeedRoller should not be operated in areas where people are swimming or engaging in other waterfront activities.

Refer to the WeedRoller operator's manual for additional information regarding the use of the WeedRoller.

## IMPORTANT GUIDELINES FOR USING THE WEEDROLLER

### ***Tell Your Neighbors:***

Neighboring property owners may be curious about your WeedRoller. If you show them the product, and explain how it works, they will appreciate it and know that will not negatively affect them. In fact, the improved swimming area has, in many instances, improved property values.

The WeedRoller will stir up areas where accumulations of light sediment or “muck” exist. These sediments will move with whatever natural water currents exist. This may, in some cases, cloud the water for your neighbors. They need to know that the clouding will disappear when the light materials have been carried out of the WeedRoller area. Also, tests show that most sediment does not move very far from the WeedRoller operating area. The relocated sediment may be measurably deeper within 10 feet of the operating arc, but not much beyond. In most cases, it does not impact adjoining property. Typically, normal wind and wave action will quickly have the whole area looking as if nothing has changed.

### ***Gather Uprooted Weeds:***

During the initial phase of WeedRoller operation (usually 3 days or less), existing weeds and vegetation will become dislodged and float to the surface. Many weeds can float away and re-root somewhere else. During this initial operating period, it is important to gather these floating weed segments and safely dispose of them so you don't contribute to someone else's weed problem. Many natural resources departments require clean up of weeds, no matter what type of weed removal method is used.

With regular WeedRoller use, weeds are prevented from regenerating in the operating area. Therefore, after the initial phase, the WeedRoller is a weed preventative. Gathering and potential spreading of weeds is generally not an issue after this initial phase.

### ***Be Aware of Fish Spawning Season:***

Many types of fish prefer to spawn in weed free and shallow areas. The clear sandy bottom created by the WeedRoller is often ideal, and many fish will be attracted to this area for spawning. The WeedRoller can help increase the fish population if it is not operated during the critical spawning period. During this period, operating the WeedRoller can destroy the eggs and affect the hatch in the spawning beds. Please identify these critical times by contacting your DNR or fisheries specialist, and refrain from WeedRoller operation during this time.

### ***Comply with State and Local Regulations:***

Restrictions on the WeedRoller may vary from state to state. Additional restrictions may exist within municipalities, counties, or within private lake associations. A permit may be required. Please check with appropriate authorities regarding applicable requirements.

Individuals within your governing bodies may be unfamiliar with the WeedRoller and issues regarding weed removal. Inviting an enforcement officer to view the WeedRoller while it is in operation may help to clear up any questions they have.

We welcome feedback from our customers regarding information contained in this manual. Please feel free to call us at 1-800-247-7335.

# TABLE OF CONTENTS

DESCRIPTION	PAGE	DESCRIPTION	PAGE
<b>SAFETY</b> .....	<b>1</b>	<b>PARTS</b> .....	<b>15</b>
1.1 SAFETY ALERT SYMBOL.....	1	AC WEEDROLLER DRIVEHEAD .....	16
1.2 BEFORE OPERATING .....	1	GEARBOX, RIGHT ANGLE 2.3:1 .....	18
1.3 ELECTRICAL SAFETY .....	2	AC WEEDROLLER CONTROL TOP .....	20
1.4 OPERATION SAFETY .....	2	7 FOOT ROLLERS AND FLEX COUPLER.....	22
1.5 SAFETY DECALS.....	3	ROLLER ADAPTER .....	22
<b>ASSEMBLY AND MOUNTING</b> .....	<b>4</b>	AC WEEDROLLER POWER SUPPLY .....	24
2.1 BEGINNING ASSEMBLY .....	4	70' EXTENSION CORD .....	24
2.2 CHOOSE CORRECT DOCK MOUNT .....	4	MUD KIT (OPTIONS).....	26
2.3 ATTACH DOCK MOUNT BRACKETS .....	5	PLASTIC PIPE MUD KIT (OPTIONS).....	26
2.4 INSTALL CONTROL TOP KNOB.....	6	WEEDROLLER TALL EXTENSION KIT (DEEP WATER EXTENSION) (OPTIONS).....	28
2.5 CONNECT ROLLER ADAPTER .....	6	FLEX COUPLER REPLACEMENT (OPTIONS) .....	30
2.6 CONNECT FIRST ROLLER TUBE .....	6	ADDITIONAL 7 FOOT ROLLER WITH FLEX COUPLER (OPTIONS).....	30
2.7 CONNECT SECOND ROLLER TUBE .....	6	TRIPOD MOUNTING KIT (OPTIONS).....	32
2.8 CONNECT THIRD ROLLER TUBE .....	7	EXTENSION CORDS (OPTIONS).....	34
2.9 ATTACH DRIVE HEAD TO THE DOCK .....	7	DOCK MOUNTING HARDWARE KIT (OPTIONS) ..	34
2.10 REMOVE PLUGS .....	8	SIDE POST MOUNTING KIT (OPTIONS) .....	36
2.11 CONNECT DRIVE HEAD TO POWER .....	8	DECALS.....	38
2.12 ADJUST THE SWITCH ARMS.....	9		
<b>OPERATION</b> .....	<b>10</b>		
3.1 INITIAL OPERATION .....	10		
3.2 SMART SWITCH .....	10		
3.3 RESETTING THE SMART SWITCH.....	10		
3.4 PROTECTION CIRCUITRY INDICATOR .....	11		
3.5 OPERATING IN MUDDY CONDITIONS.....	11		
3.6 ADJUSTING BRACKETS TO CONDITIONS .....	11		
<b>SERVICE &amp; MAINTENANCE</b> .....	<b>12</b>		
4.1 TRIPPED CIRCUIT BREAKER .....	12		
4.2 INSTALLING A NEW MAGNET .....	12		
4.3 OFF-SEASON STORAGE .....	12		
4.4 TROUBLESHOOTING.....	13		

# 1 Safety

## Section

### 1.1 SAFETY ALERT SYMBOL



The Owner/Operator's manual uses this symbol to alert you of potential hazards. Whenever you see this symbol, read and obey the safety message that follows it. Failure to obey the safety message could result in personal injury, death or property damage.



#### CAUTION



Indicates an imminently hazardous situation that, if not avoided, will result in death or serious injury.



#### WARNING



Indicates a potentially hazardous situation that, if not avoided, could result in death or serious injury.



#### DANGER



Indicates a potentially hazardous situation that, if not avoided, may result in minor or moderate injury.

### 1.2 BEFORE OPERATING



1. Read and understand this Owner/Operator's manual. Be completely familiar with the controls and the proper use of this equipment.
2. Familiarize yourself with all of the safety and operating decals on this equipment and on any of its attachments or accessories.
3. Keep safety decals clean and legible. Replace missing or illegible safety decals.
4. Use a 110 volt ground fault interrupter circuit.
5. Never allow people to enter the water while the WeedRoller is operating.
6. Adjust the reversing switches to the proper angle.
7. Keep away from all moving parts.
8. Avoid wearing loose fitting clothing while operating this machine. Never operate this machine wearing clothing with drawstrings that could wrap around or get caught in the machine.
9. Do not allow children to operate this equipment.
10. Before inspecting or servicing any part of this machine, shut off the machine, disconnect the 110 volt power cord and make sure all moving parts have come to a complete stop before allowing people to enter the water.
11. Visually check that all screws, nuts, bolts and other fasteners are properly secured before starting the machine.
12. Check all screws, nuts, bolts and other fasteners for proper tightness once every 50 hours of operation.

**1.3 ELECTRICAL SAFETY**

1. Use the machine only with extension cords suitable for outdoor use to prevent shock. Suitable extension cords are extremely important for the operator's personal safety. Wire size should be 14 gauge or larger, and the cord should be no longer than 100 feet.
2. Never use an indoor extension cord.
3. Ensure the power cord is in good condition. A cord with cracked or broken insulation is hazardous, particularly in the presence of moisture or combustible material. It is also important that the connectors be of rugged construction, in good condition, and securely attached to the outer jacket.
4. Remove the extension cord immediately from the wall receptacle if the power cord is damaged in any manner.
5. Use only an electric circuit having adequate capacity.
6. Determine the cause and take corrective action if a fuse is blowing or circuit breaker is tripping. Blowing a fuse or tripping a circuit breaker is a warning the machine is overloading, or too many devices are taking power from the circuit, or both. Do not install a higher capacity fuse.
7. Do not abuse the power cord. Never pull a machine by the cord to disconnect it from the receptacle. Keep the power cord away from excessive heat, oil, and sharp edges. Keep power cords out of the water.
8. Disconnect the machine when not in use, before servicing, and when changing attachments.

**1.4 OPERATION SAFETY**

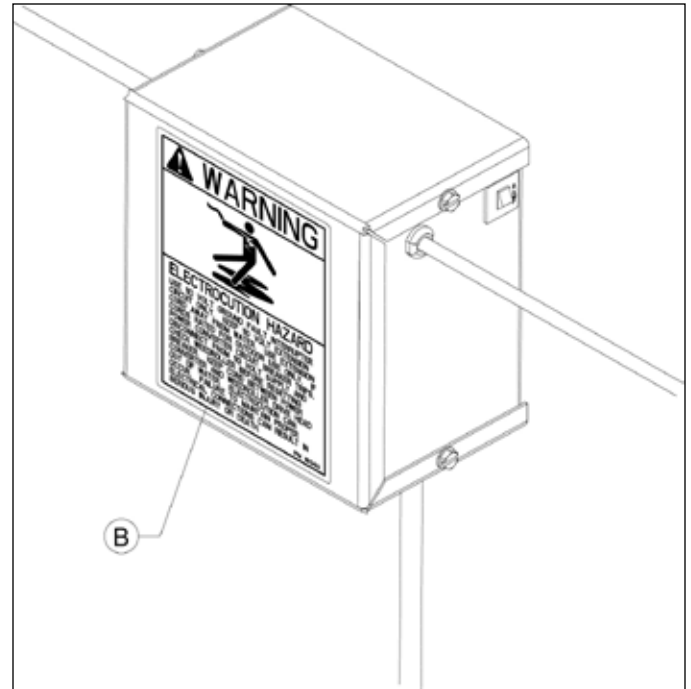
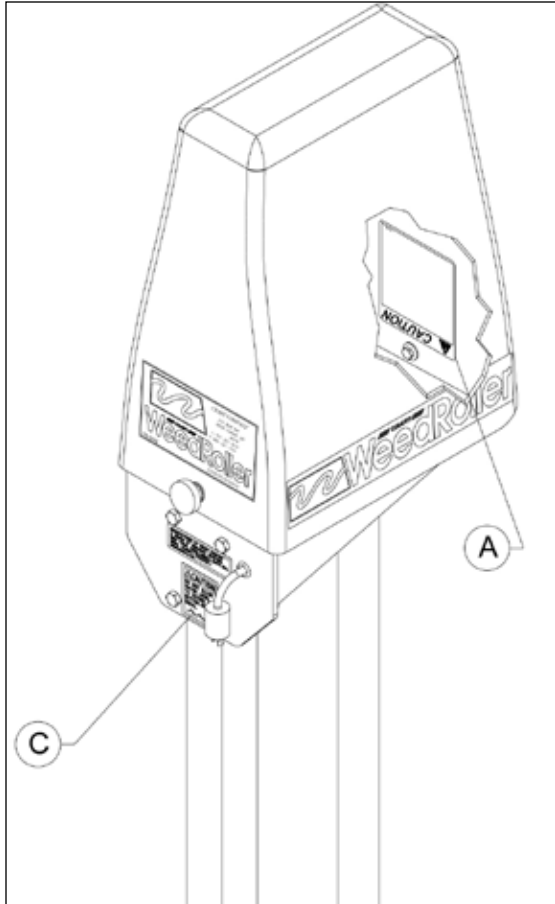
1. Operate the WeedRoller on a fairly smooth surface. Each flex coupler assembly allows a 10-degree flex.
2. Check the lake bottom for exposed pieces of metal, rock, bottles, cans, or other foreign objects before running the WeedRoller. Remove the objects to allow the WeedRoller to do a better job and to make the area safer for swimming and water use.
3. Clear visible obstructions from surface area where the WeedRoller will operate.
4. Disconnect the power source and make sure all moving parts are completely stopped before inspecting or servicing any part of the machine.
5. Disconnect the power source and allow the machine to stop if the WeedRoller strikes a foreign object or starts making an unusual noise or vibrating. After stopping the WeedRoller:
  - a) Inspect for damage.
  - b) Replace or repair any damaged parts.
  - c) Check for and tighten any loose parts.
6. Keep the rollers clean of debris and weed accumulations.
7. Do not allow large amounts of material to build up on the rollers. This can cause the machine to stall or cause damage to the drive system.
8. Disconnect the power source if the machine stalls or becomes blocked.
9. Do not move the WeedRoller while it is operating.
10. Disconnect the 110 volt power cord and be sure all moving parts have come to a complete stop before allowing people to enter the water or when adjusting or servicing the WeedRoller. Park the WeedRoller under or beside a dock, or behind or beside boat lifts.
11. Keep people from contacting the roller tube and accidentally injuring themselves by never allowing water activity above or beside the WeedRoller.
12. Never allow people to stand on or dive from the control top or electric motor.



**1.5 SAFETY DECALS**

Familiarize yourself with all of the safety and operating decals on the machine and the associated hazards. Make certain that all safety and operational decals on this

machine are kept clean and in good condition. The decals are shown below at reduced sizes. Apply replacement decals to their original locations.



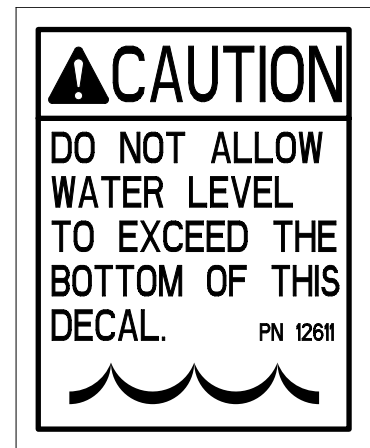
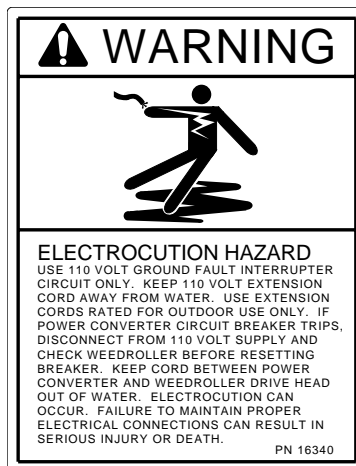
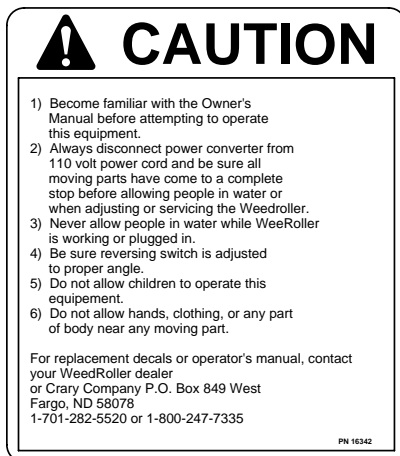
**PN 16342**



**PN 16340**



**PN 12611**



# 2 Assembly and Mounting

## Section

### 2.1 BEGINNING ASSEMBLY

The WeedRoller comes in three separate boxes. Inspect each box to make sure that no parts are missing.

**Box One contains:** Drive Head Assembly

**Box Two contains:** (2) 7' Roller Tubes

**Box Three contains:** (1) 7' Roller Tube, (1) Flex Coupler Assembly, (1) Roller Adapter Assembly, Mount Brackets and Clamps, Power Source Box and Cord, Assorted Hardware, Operator's Manual, Environmental Instructions, Warranty Card, GFI Receptacle Tester

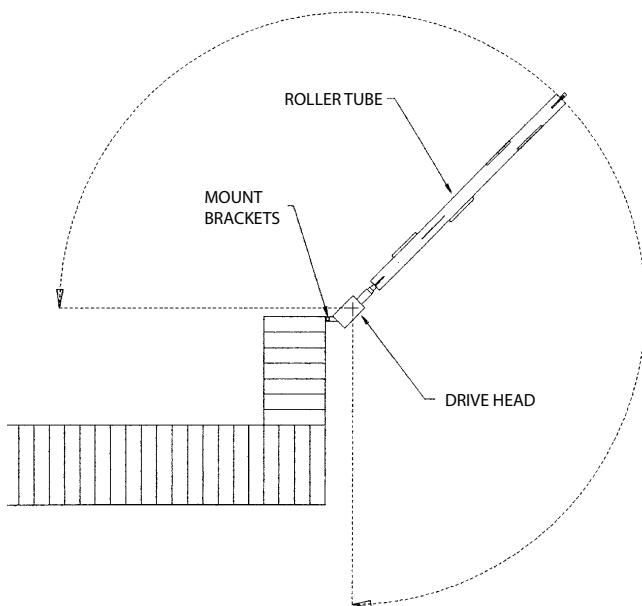
### 2.2 CHOOSE CORRECT DOCK MOUNT

The WeedRoller can be adjusted to operate with many different mountings and roller arc degrees, depending on:

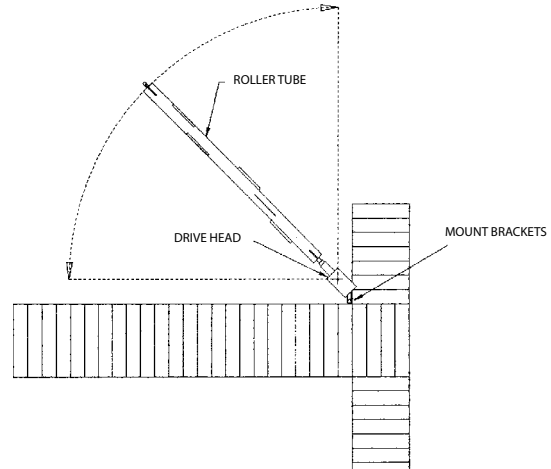
1. The mount bracket position on your dock.
2. The switch arm adjustments. The switch arms easily adjust to set the direction and arc of the rollers.

Choose the dock mounting location and roller arc that best suit your site from the four following examples.

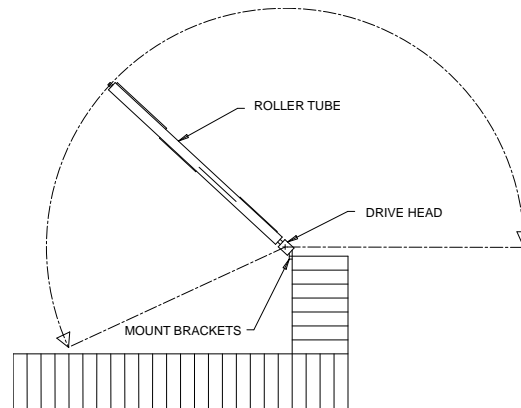
#### 2.2.1 MOUNTING ON THE OUTSIDE CORNER OF A DOCK WITH A 270 DEGREE ROLLER ARC



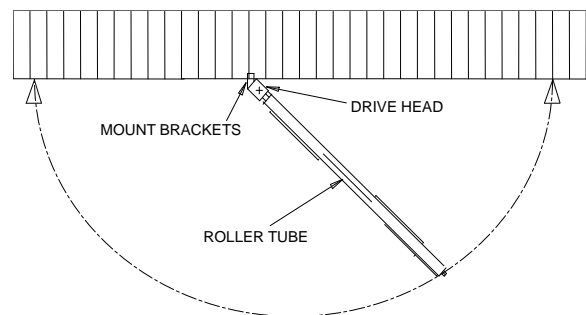
#### 2.2.2 MOUNTING ON AN INSIDE CORNER DOCK WITH A 90 DEGREE ROLLER ARC



#### 2.2.3 MOUNTING ON AN OUTSIDE CORNER DOCK WITH A ROLLER ARC UP TO 270 DEGREES

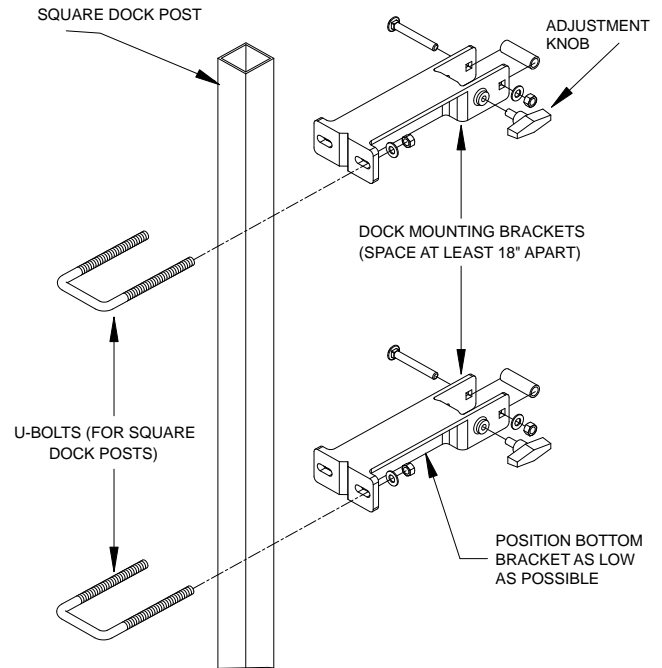


#### 2.2.4 MOUNTING ON THE SIDE OF A DOCK WITH A 180 DEGREE ROLLER ARC

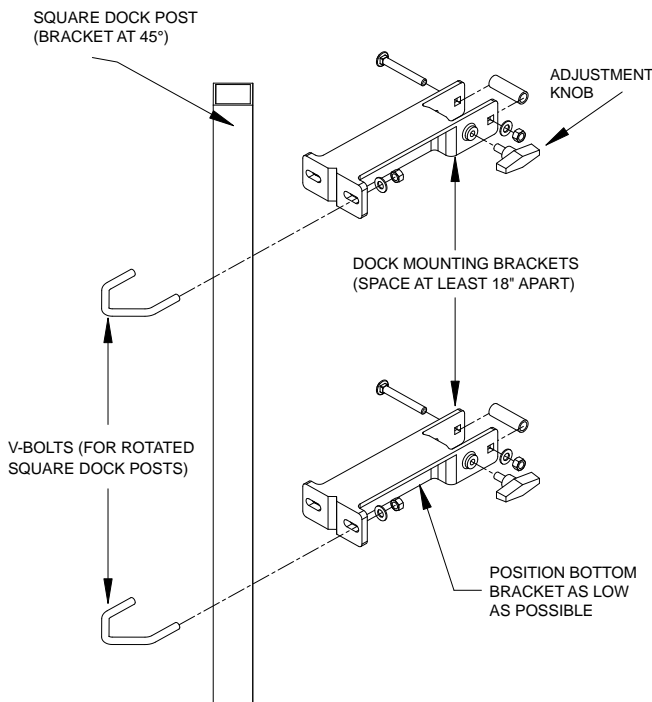


## 2.3 ATTACH DOCK MOUNT BRACKETS

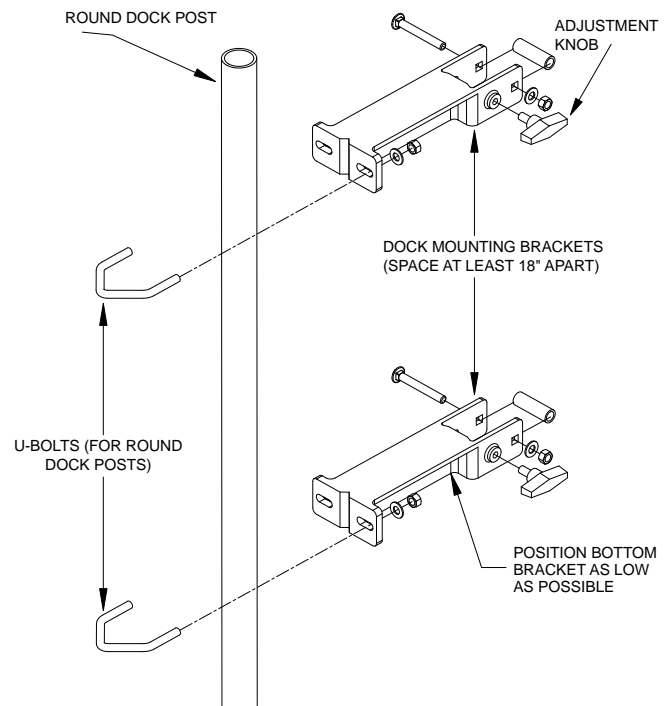
1. Position the bottom bracket **as low as possible** on the dock post. The mount brackets should be spaced at least 18 inches apart (vertically) to ensure a stable and secure mount for the drive head. Typically, one bracket is above water and one bracket is under water.
2. Insert the adjustment knob(s) into the dock mounting bracket.
3. Insert a V-bolt or U-bolt through the bottom dock mounting bracket holes as shown on this page. Use U-bolts for docks with square posts. Use V-bolts for docks with round posts or for square posts to achieve a 45 degree mount angle.
4. Secure bolt with 3/8" washers and nuts.
5. Position the top bracket at least 18" above the bottom bracket, insert the V- or U-bolt, and secure with washers and nuts.



*Square Dock Mount Brackets*



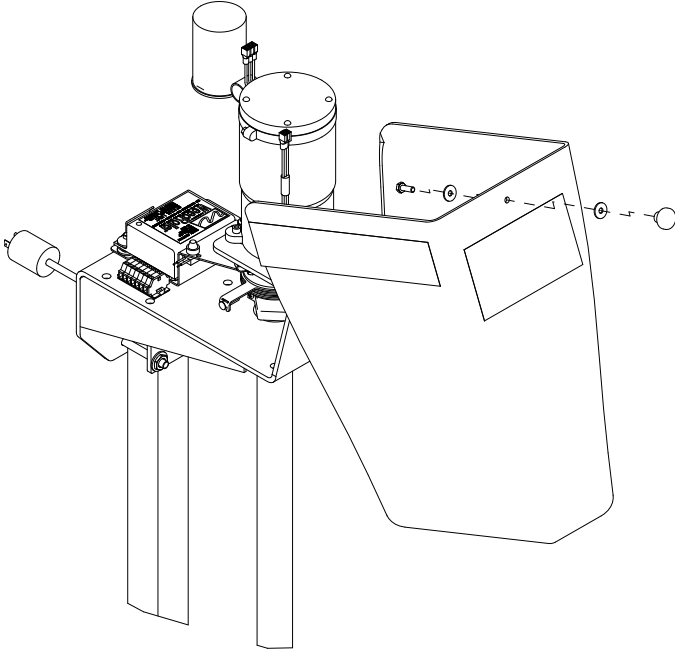
*Square Dock Mount Brackets (rotated 45 deg.)*



*Round Dock Mount Brackets*

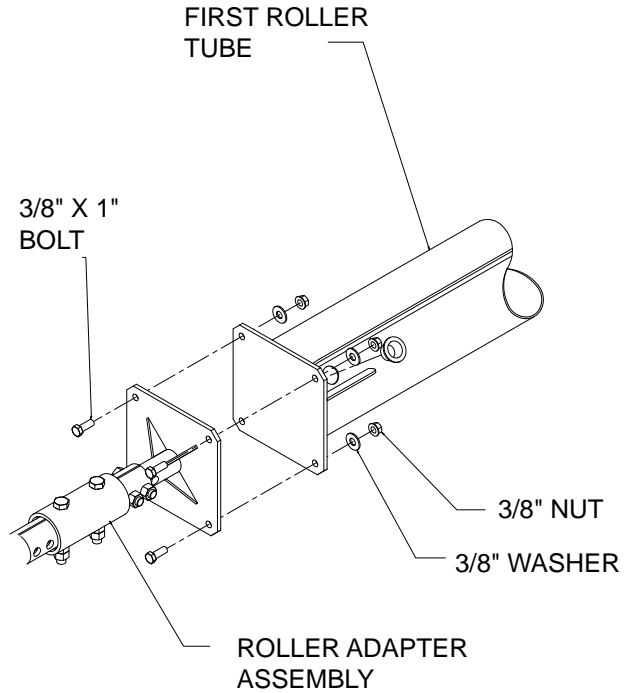
**2.4 INSTALL CONTROL TOP KNOB**

1. Flip control top cover down.
2. Attach cover knob to control top cover with the 1/4" x 3/4" bolt and washers.
3. Flip control top cover back to original position.



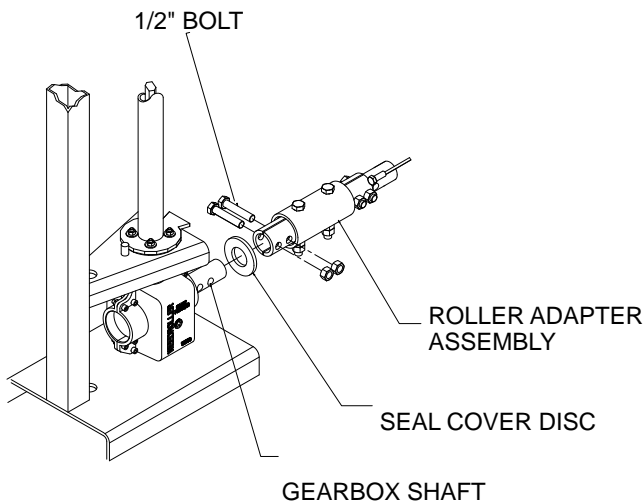
**2.6 CONNECT FIRST ROLLER TUBE**

1. Align the holes in the roller adapter with the bolt holes in a 7' roller tube.
2. Install 3/8" bolts, washers, and nuts provided in the owners kit.
3. Torque to 30 ft-lbs.



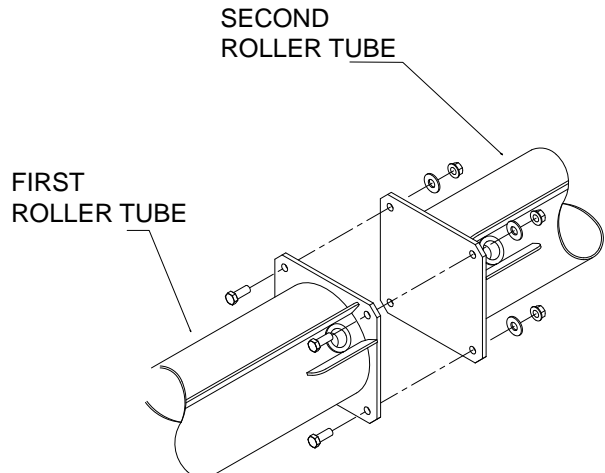
**2.5 CONNECT ROLLER ADAPTER**

1. Slide seal cover disk onto gearbox shaft.
2. Align the gearbox shaft bolt holes with the bolt holes in the roller adapter.
3. Install 1/2" bolts, washers, and nuts provided in the owners kit.
4. Torque to 75 ft-lbs.



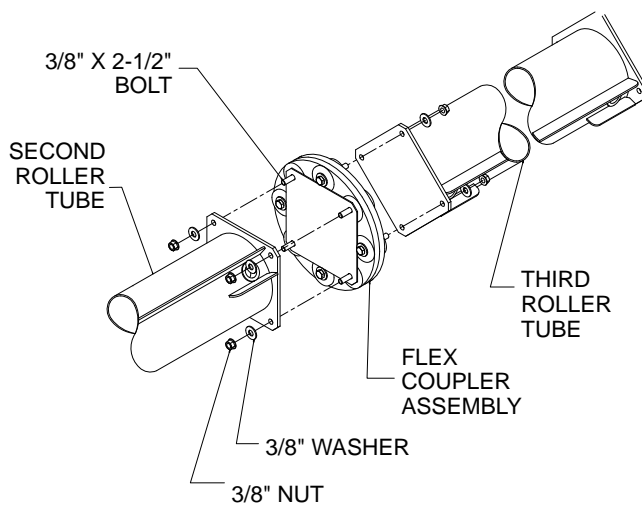
**2.7 CONNECT SECOND ROLLER TUBE**

1. Align the bolt ends in the second tube with the bolt holes in the roller tube connected to the gearbox.
2. Install 3/8" bolts, washers, and nuts.
3. Torque to 30 ft-lbs.



## 2.8 CONNECT THIRD ROLLER TUBE

1. Remove 3/8" washers, and nuts from the flex coupler.
2. Align the bolt holes of the connected roller tube with the bolt, in one flex coupler end.
3. Replace the 3/8" washers, and nuts necessary to secure the flex coupler to the connected roller tube.
4. Torque to 30 ft-lbs.
5. Align the bolt holes of the remaining roller tube with the bolts in the other flex coupler end.
6. Replace the remaining 3/8" washers, and nuts.
7. Torque to 30 ft-lbs.



### NOTE

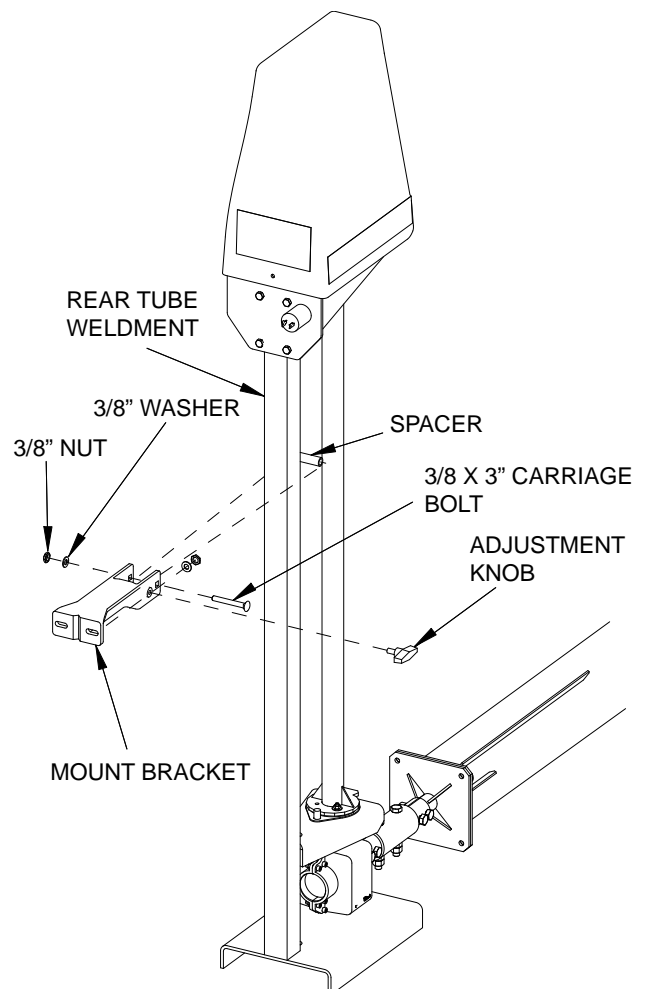
Additional rollers can be added. Maximum number of rollers varies with conditions. WeedRoller warranty is only valid up to a roller length of 35ft.

### NOTE

Added tubes may require a special permit for use. Please consult your state and local regulations.

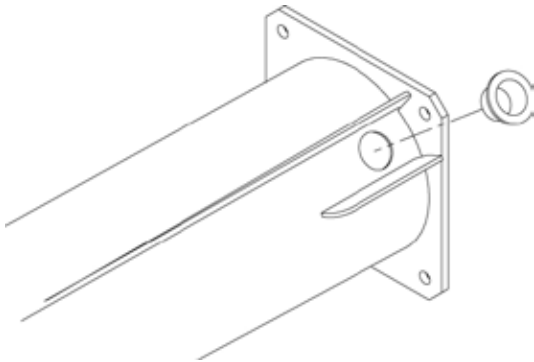
## 2.9 ATTACH DRIVE HEAD TO THE DOCK

1. Pull the WeedRoller (with all rollers connected) into the water while holding onto the drive head. The rollers will float until filled with water.
2. Place the rear tube weldment into the dock mounting brackets.
3. Place a spacer between the spacer holes in one of the brackets.
4. Insert a 3/8 x 3" carriage bolt through the bolt holes and spacer. Add washer and nut to secure bolt.
5. Repeat this step for the remaining bracket.
6. Lower drive head assembly to the lake bottom.
7. Tighten adjustment knob(s) as shown below.



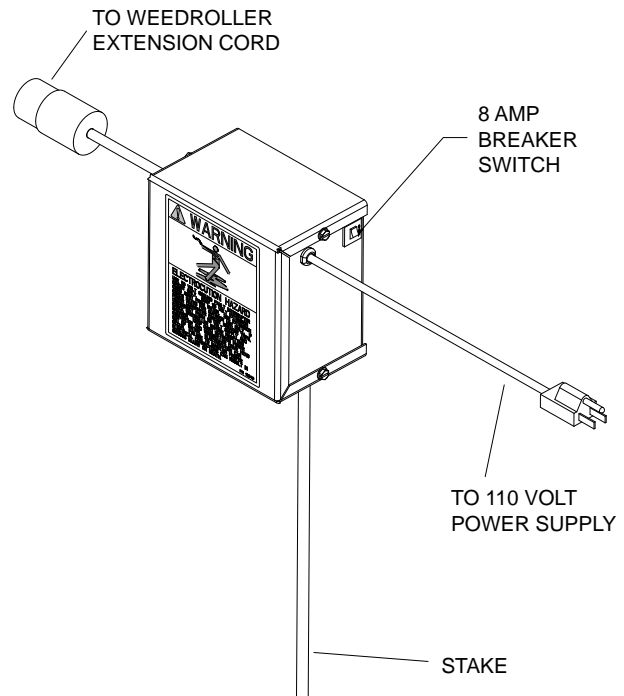
## 2.10 REMOVE PLUGS

1. Remove the plugs from the roller tube ends and allow the tubes to fill with water.
2. Put the plugs back in the tubes.
3. Let the WeedRoller sink to the lake bottom before using.



## 2.11 CONNECT DRIVE HEAD TO POWER

1. Insert the power supply stake into dry land (either your beach or yard).
2. Attach the 70 foot power supply cord to the connector on the power supply.
3. Route the power supply cord along your dock frame or fasten it underneath (so it doesn't get stepped on or fall into the water).
4. Connect the female end of the power supply cord to the male connector on the control top box. No other wiring is needed for the control top assembly.
5. Test your 110 volt outlet with the GFI receptacle tester.
6. Connect a 110 volt outdoor extension cord (at least 14 gauge) to the power supply. Make sure to keep all 110 volt cords away from the water.
7. Make sure the rollers are clear from obstructions so they can turn freely.



**WARNING**

USE EXTREME CAUTION WHEN WORKING AROUND WATER AND ELECTRICITY. BE SURE TO READ AND UNDERSTAND ALL WARNING DECALS AND INSTRUCTIONS.

**DANGER**

KEEP THIS 28 VOLT CORD OUT OF THE WATER! USE 25' AND 70' OPTIONAL POWER SUPPLY EXTENSION CORDS FOR LONGER DOCKS (SEE PARTS SECTION FOR PART NUMBERS).

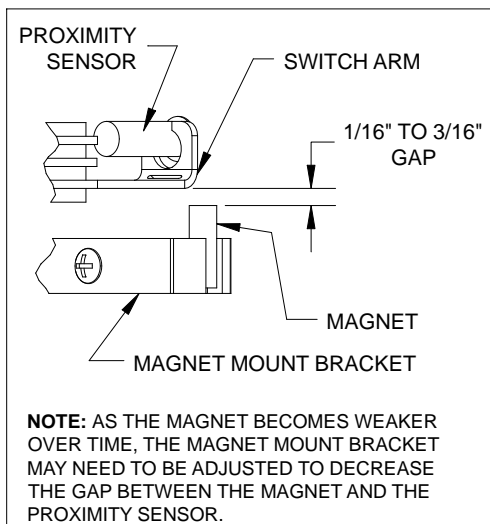
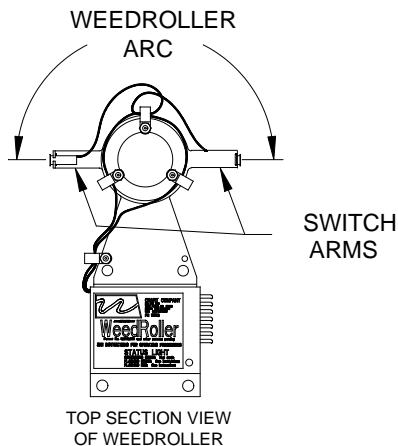
**CAUTION**

Use a 110 volt ground fault interrupter circuit only. Keep the 110 volt extension cord away from water. Use extension cords rated for outdoor use only. Disconnect WeedRoller from 110 volt supply and check it before resetting the breaker if the circuit breaker trips. Keep the 28 volt power cord out of the water.

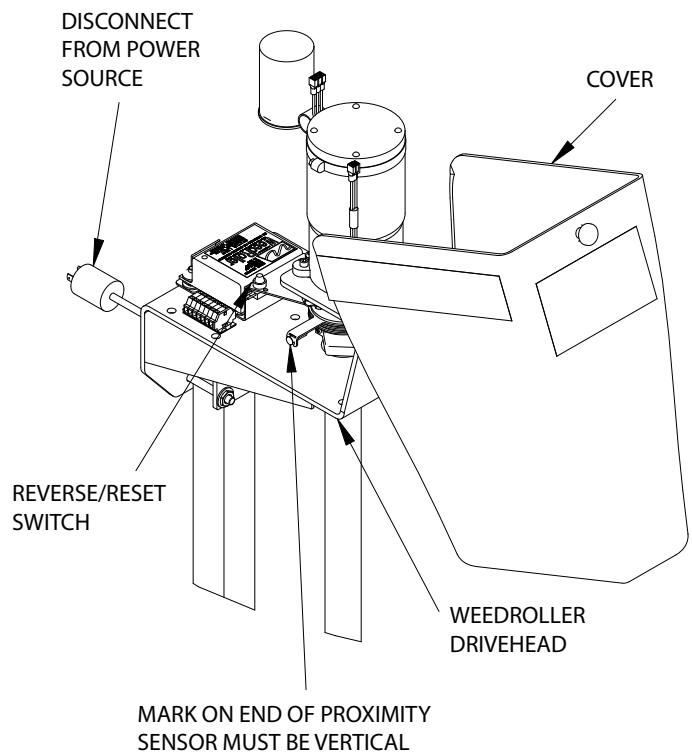
## 2.12 ADJUST THE SWITCH ARMS

The WeedRoller motor rotates the magnet mount on the pivot tube between the two switch arms. The degrees of roller tube arc is determined by the arc between the adjustable switch arms. The maximum travel arc of the roller tubes is 270 degrees. The magnet should be adjusted right or left to achieve the desired arc. See Sec. 2.2 for more information on roller tube arcs.

1. Disconnect the extension cord from the plug on the drivehead.
2. Lift the cover on top of the drive head.
3. Adjust the switch arms to the desired Weedroller arc.
4. Make sure sensor wires are clear of any moving parts after adjusting.
5. Position the magnet mount bracket between the switch arms.



6. Check the gap between magnet and proximity sensors. The gap should be between 1/16" and 3/16".
7. Adjust the magnet mount bracket assembly up or down by loosening screws on bracket.
8. Additional adjustments can be made by slightly bending the proximity switch arms.
9. Close cover
10. Connect the extension cord to the plug on the drivehead.
11. Watch the roller tubes. If the rollers do not rotate within the desired arc, repeat steps 1-8.
12. Rollers should not operate within 12" of fixed objects.
13. The Weedroller is now ready to operate.



# 3 Operation

## Section

### 3.1 INITIAL OPERATION

Check the WeedRoller frequently to make sure it is not blocked by debris (branches, rocks, or stumps) when using it for the first time, or anytime it is moved to a new location. Inspect it often until it can move freely over the lake bottom.

- Operate the WeedRoller continuously (when water-front is not otherwise in use) for initial clearing until area is cleared. Clearing can take from one day to one week.
- Run the Weedroller often enough to keep the area clear of weeds after it is initially cleared. Typically operation is 10 hours once every week. Time varies with conditions.
- Gather and dispose dislodged weeds to prevent them from floating away and spreading.

#### NOTE

Typical owner installations will need 400-500 operating hours per season. Excessive use will cause unnecessary wear on shaft and coupler components. Cray Industries warranty covers two seasons or 1000 operating hours, whichever comes first.

#### NOTE

The WeedRoller is environmentally friendly and welcomed by neighbors when properly used. Refer to the accompanying environmental guidelines for information on legal and responsible use.

#### NOTE

If the roller tubes are about to rotate into a fixed object you can press the reverse/reset switch to reverse them.

### 3.2 SMART SWITCH

The smart switch is designed for varying conditions. It automatically reverses the motor when the amperage exceeds a set limit. The initial setting from the factory is 6 amp.

The smart switch tracks the amperage draw for 10 cycles (sweeps) and resets the maximum amperage automatically based on the conditions.

For example, when the Weedroller is first used, the initial setting is 6 amps. If the smart switch records 3.5 amps as the highest draw during the 10 cycles, it resets the maximum draw setting from 6 amps to 3.6 amps (.1 amp above the peak current of 3.5 amps.) The smart switch now will reverse the WeedRoller tubes if the motor draws 3.6 amps or more.

The smart switch will continue to monitor the amperage draw and reset the maximum amperage draw each 10 cycles.

### 3.3 RESETTING THE SMART SWITCH

The smart switch needs to be reset when adjusting switch arms or after moving the WeedRoller.

See Sec. 3.5 for more information on operating the WeedRoller under abnormal conditions. Check for stuck rollers tubes or obstructions before resetting the smart switch.

#### TO RESET THE SMART SWITCH YOU CAN EITHER:

- Unplug the power cord from the AC outlet, wait at least one (1) minute, and plug it back in.

#### OR

- Press and hold the reverse/reset switch until the light turns orange.

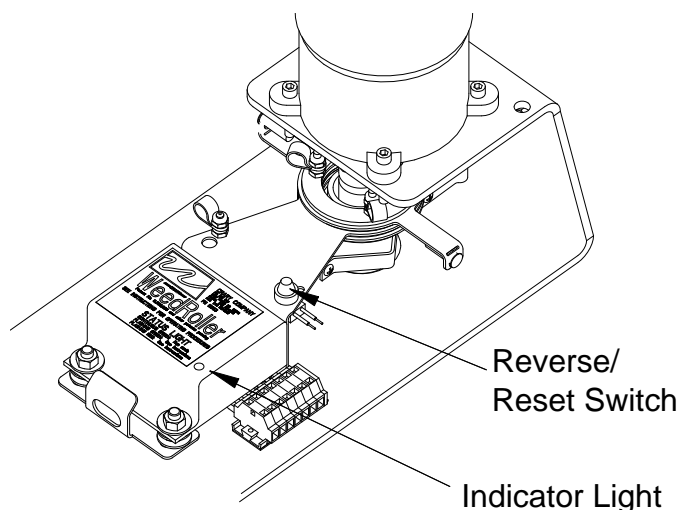
The smart switch will reset to the original setting of 6 amps.



### 3.4 PROTECTION CIRCUITRY INDICATOR

The smart switch monitors the WeedRoller operation and will reverse it or turn it off automatically if the tubes hit an obstruction or if the motor malfunctions. Information is communicated to the owner through the indicator light.

- **STEADY GREEN LIGHT**  
Indicates the WeedRoller is operating normally.
- **GREEN LIGHT FLASHES ONCE PER SECOND**  
Indicates the overload protection circuitry is activated. This happens after the motor has been reversed automatically six times due to obstructions slowing or blocking the roller tubes. Remove obstruction, and then reset smart switch by pushing the reset switch down and holding until the light turns orange.
- **GREEN LIGHT FLASHES FOUR TIMES PER SECOND**  
Indicates the motor has an open circuit. Check wiring or contact your dealer.
- **ORANGE LIGHT**  
Comes on initially when the smart switch is being reset and when the WeedRoller is first turned on. After initial power up, the orange light will flash once for every 100 hours that the WeedRoller has been operated.
- **RED LIGHT FLASHES ONCE PER SECOND**  
Indicates motor rotor locked up. Check if any obstructions are blocking the WeedRoller tubes. Reset smart switch by pushing the reverse/reset switch down and holding until the light turns orange.
- **RED LIGHT FLASHES FOUR TIMES PER SECOND**  
Indicates the motor short circuited. Contact your dealer



### 3.5 OPERATING IN MUDDY CONDITIONS

The WeedRoller can get stuck in extremely muddy or weedy conditions. Try one or more of the following procedures until the WeedRoller completes an arc without getting stuck.

- Decrease roller arc to 50 degrees. Extend the arc in 50 degree increments when the roller begins to move freely.
- Remove roller tube caps. Drain water as necessary from roller tubes to increase flotation. Replace caps.
- Install a Cray Mud kit. Order the Mud Kit (PN 51320) for moderately muddy conditions. Order Plastic Pipe Kit (PN 51134) for extremely muddy conditions.

### 3.6 ADJUSTING BRACKETS TO CONDITIONS

The WeedRoller dock mounting brackets can be adjusted in a variety of different ways to help deal with muddy or uneven lake bottoms.

- For very weedy or mucky conditions, raise the drive head assembly so its base is a few inches above the lake bottom, then tighten the adjustment knobs. This raises the roller tubes slightly to make it easier for the tubes to clear weeds and muck.
- Leave the adjustment knobs off if the lake bottom is uneven, or covered with small rocks or branches. This allows the drive head assembly to slide up and down freely on the rear post weldment and enables the roller tubes to conform to slight variances in the lake bottom. Clear as many rocks and branches as possible from the lake bottom before using WeedRoller.

# 4 Service & Maintenance

## Section

### 4.1 TRIPPED CIRCUIT BREAKER

The power converter has an 8 amp circuit breaker on the 28 volt AC side.

1. Disconnect the power converter from the 110 volt supply and inspect before resetting the breaker.
2. Clear weeds and/or obstructions from the rollers or arc before restarting.

#### NOTE

Blowing a fuse or tripping the circuit breaker is a warning that you have overloaded the circuit. Determine the cause and correct it.

### 4.2 INSTALLING A NEW MAGNET

1. Open the WeedRoller cover.
2. Loosen the machine screw secured by a locknut.
3. Snap the magnet off the magnet mount assembly.
4. Snap replacement magnet onto the magnet mount assembly.
5. Tighten the locknut to secure the machine screw.

### 4.3 OFF-SEASON STORAGE

#### NOTE

Be sure to drain the water from the rollers before storage if freezing is possible.

- The WeedRoller can be left in the lake year round if the lake does not freeze over. Remove the WeedRoller and store it over the winter if the lake freezes over.
- If you have a roll-away dock, the complete Weed Roller unit can be stored with it. Raise the dock to lift the drive head assembly off the ground and fasten each roller assembly to the dock for easy storage. Cover the control top with a plastic bag or cover to protect it from outdoor conditions. Be sure to completely drain water from rollers before storage.
- The unit can be disassembled into four separate sections: the drive head assembly and three individual rollers. Be sure to drain water from rollers before storing.

## 4.4 TROUBLESHOOTING

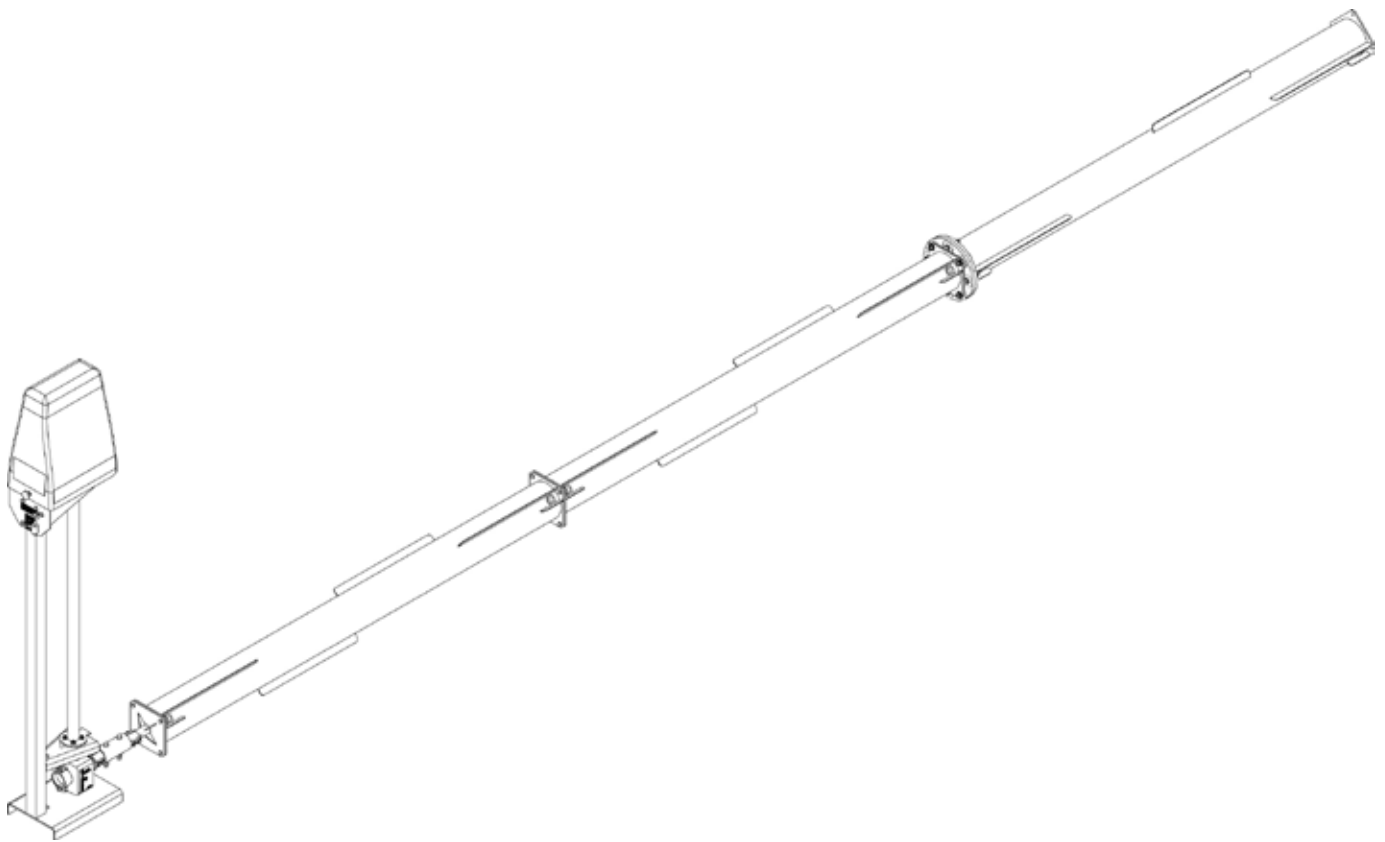
PROBLEM	POSSIBLE CAUSE	REMEDY
1. Weedroller will not run.	<ul style="list-style-type: none"> <li>a. No electrical current.</li> <li>b. 8 amp breaker kicked out.</li> <li>c. Smart switch malfunctioning.</li> <li>d. Smart switch shut down.</li> <li>e. Electric motor problems.</li> <li>f. Power supply failure.</li> </ul>	<ul style="list-style-type: none"> <li>a. Check all connections.</li> <li>b. Check for obstructions or electrical problems, reset breaker.</li> <li>c. Check connections, check switch arm adjustment, replace switch.</li> <li>d. Disconnect power from controller, allow to reset.</li> <li>e. Check connections, check wiring, repair or replace electric motor.</li> <li>f. Repair or replace.</li> </ul>
2. Rollers will not turn.	<ul style="list-style-type: none"> <li>a. Drive coupler problems.</li> <li>b. Obstruction stopping roller movement.</li> <li>c. Weeds wrapped around rollers.</li> <li>d. Electric motor not working.</li> <li>e. Rollers stuck in mud, muck, silt.</li> <li>f. Gearbox failure.</li> </ul>	<ul style="list-style-type: none"> <li>a. Check all drive coupler connections and components, repair or replace.</li> <li>b. Clear all obstructions from lake bed area.</li> <li>c. Clear weeds from roller.</li> <li>d. Repair or replace.</li> <li>e. Free stuck rollers.</li> <li>f. Replace gearbox.</li> </ul>
3. Rollers will not switch directions.	<ul style="list-style-type: none"> <li>a. Reverse switch not working.</li> <li>b. Drive coupler problems.</li> <li>c. Switch not adjusted.</li> </ul>	<ul style="list-style-type: none"> <li>a. Check all connections, repair and replace switch.</li> <li>b. Check all connections and components, repair if needed.</li> <li>c. Check magnet to switch alignment and clearance (1/16" - 3/32")</li> </ul>
4. Rollers running at wrong arc.	<ul style="list-style-type: none"> <li>a. Switch arm stops set wrong.</li> <li>b. Drive head at wrong mounting angle.</li> <li>c. Drive head contacts tube weldment before desired roller arc is completed.</li> <li>d. Marks on sensors not vertical.</li> </ul>	<ul style="list-style-type: none"> <li>a. Adjust reed arms.</li> <li>b. Change drive head angle.</li> <li>c. Change drive head angle.</li> <li>d. Rotate sensors so marks are vertical.</li> </ul>



# WeedRoller

## Parts Catalog

### WeedRoller



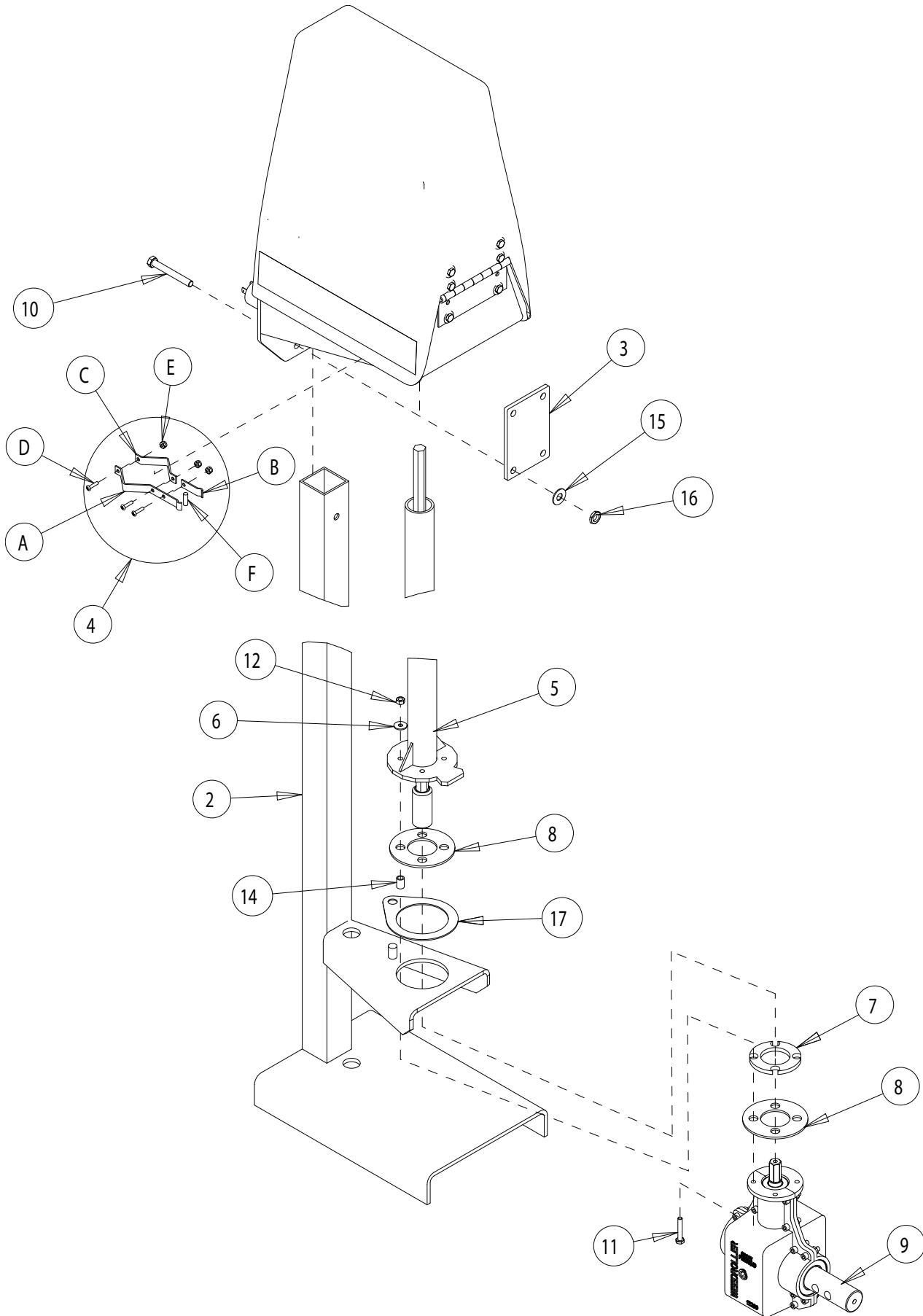
## Model

---

51325

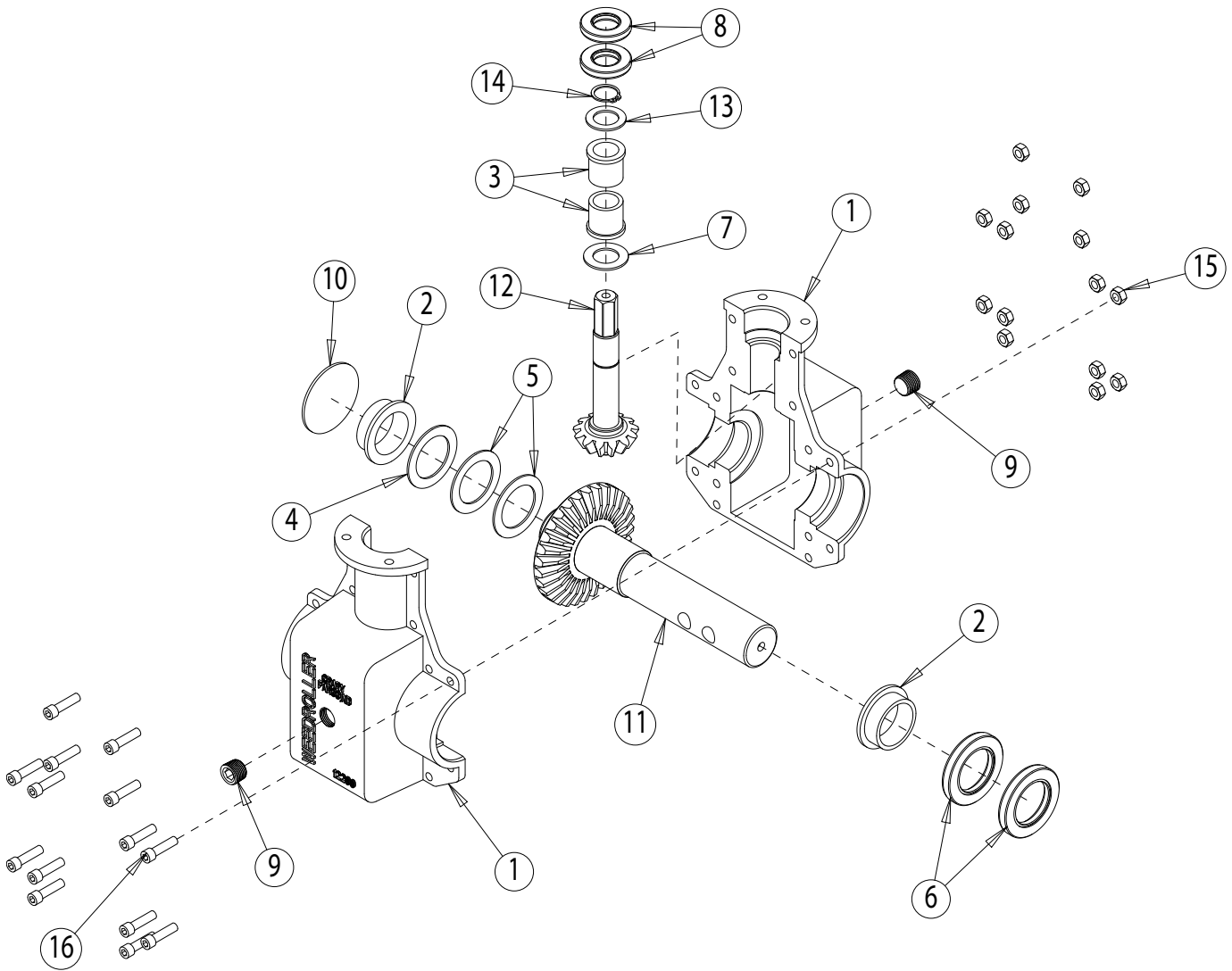
AC WeedRoller

# AC WEEDROLLER DRIVEHEAD



<b>51331-00, ASSEMBLY, AC WEEDROLLER DRIVEHEAD</b>			
<b>ITEM</b>	<b>PART NUMBER</b>	<b>DESCRIPTION</b>	<b>QTY.</b>
1	51329-00	ASSEMBLY, AC WR CONTROL TOP	1
2	51245	REAR POST WELDMENT (WR-2)	1
3	51280	PLATE, CONTROL TOP MOUNT	1
4	51269	MAGNET MOUNT ASSEMBLY	1
A	51264	MAGNET MOUNT , LONG	1
B	51266	MAGNET MOUNT, CLIP	1
C	51265	MAGNET MOUNT, SHORT	1
D	15550	SCREW MACHINE, 8-32X 3/4 PHP RDHD ZP	3
E	15255	NUT, 3-32 NYLOCK	3
F	16884	MAGNET, ALNICO 5 .25 X .75	1
5	51244	PIVOT, TUBE WELDMENT	1
6	15030	WASHER, 1/4" FLAT	10
7	51251	DISC SANDWICH PACK	1
8	51249	DISC SANDWICH PACK	2
9	51252	GEARBOX, RIGHT ANGLE 2.3:1 (SEE PAGE 28 & 29)	1
10	15009	BOLT,3/8 X 3 HEX HD	4
11	15342	BOLT, 1/4 X 1-1/2 HCS G5 ZP	4
12	15087	NUT, 1/4" CENTERLOCK	4
13	51274	5/8 HEX SHAFT WELDMENT (WR-2)	1
14	51345-00	SPACER, GEARBOX MOUNT	4
15	15031	WASHER, 3/8" FLAT	4
16	15042	NUT, 3/8" HEX	4
17	51344-00	PLATE, DRIVEHEAD WEAR	1
18	12487	GREASE	1

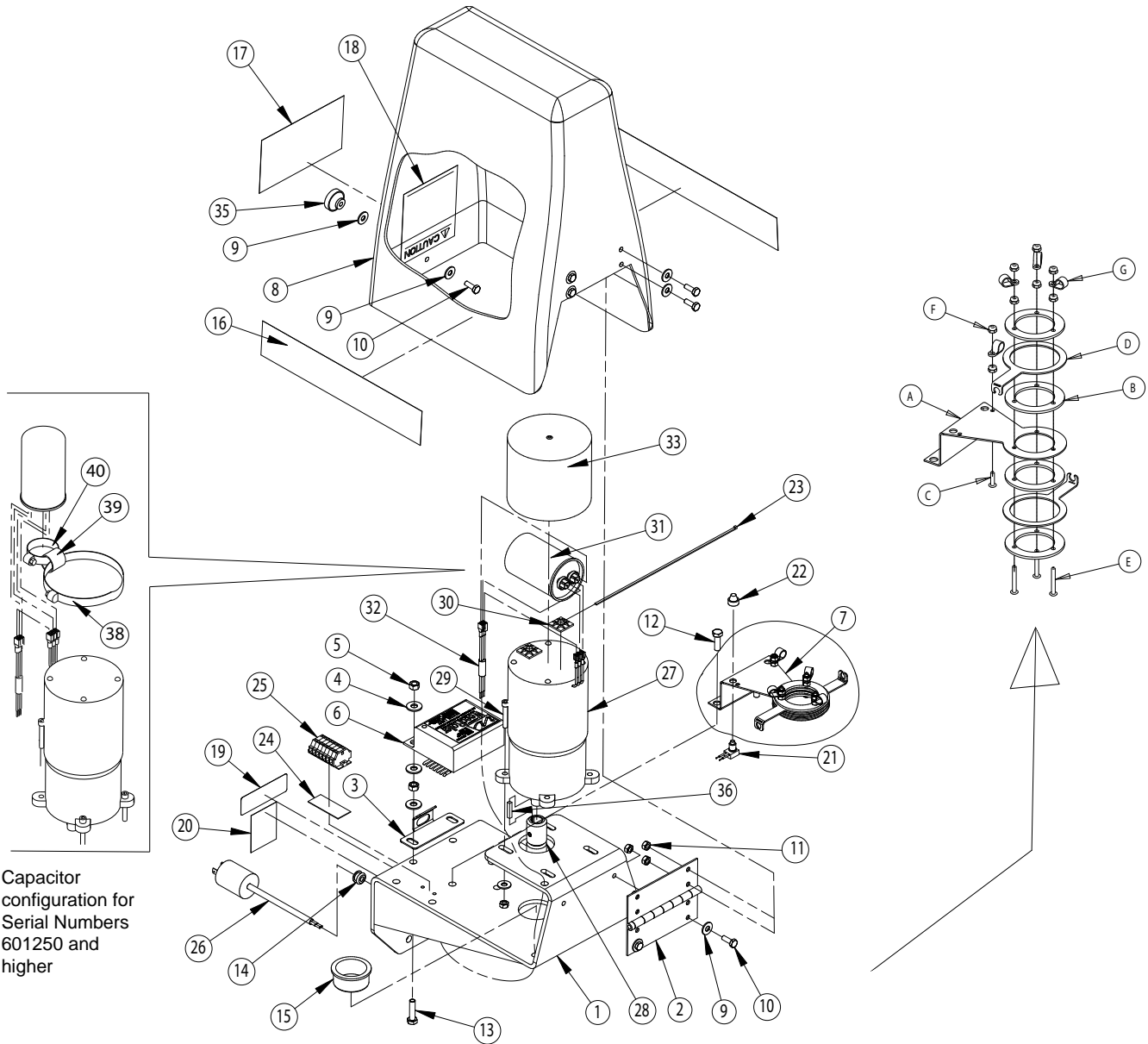
# GEARBOX, RIGHT ANGLE 2.3:1





<b>51252, GEARBOX RIGHT ANGLE 2.3:1</b>			
<b>ITEM</b>	<b>PART NUMBER</b>	<b>DESCRIPTION</b>	<b>QTY.</b>
1	12269	CASTING WR GEARBOX	2
2	12376	BEARING, 1-3/8 BRONZE BUSHING	2
3	12377	BEARING, 3/4 BRONZE BUSHING	2
4	15585	SHIM, WASHER 1-3/8 X 2 X.02	1
5	15586	SHIM, WASHER 1-3/8 X 2 X .005	2
6	12378	SEAL, 1-3/8 DBL LIP W/GARTER	2
7	15587	THRUST WASHER, 3/4 X 1-5/16 X .062	1
8	12379	SEAL, 3/4 DBL LIP W/GARTER	2
9	12384	PIPE PLUG, 3/8 AMER NATL	2
10	12383	FROST PLUG, 2-1/4 OD	1
11	51253	SHAFT WELDMENT, 1-3/8	1
12	51254	SHAFT WELDMENT, 3/4 INCH	1
13	15593	SHIM, WASHER 3/4 X 1-3/16 X .02	1
14	12381	SNAP-RING, 3/4 EXTERNAL	1
15	15105	NUT, 1/4 HEX	14
16	15242	SOC HD CAP SCREW, 1/4 X 1	14
20	12487	GREASE, SPO555 1 QUART	1
21	11304	CLEAR SILICON, RUBBER SEALANT 10OZ	AR
22	11303	PERMA. LOK, 1.69 OZ VIAL	AR

# AC WEEDROLLER CONTROL TOP



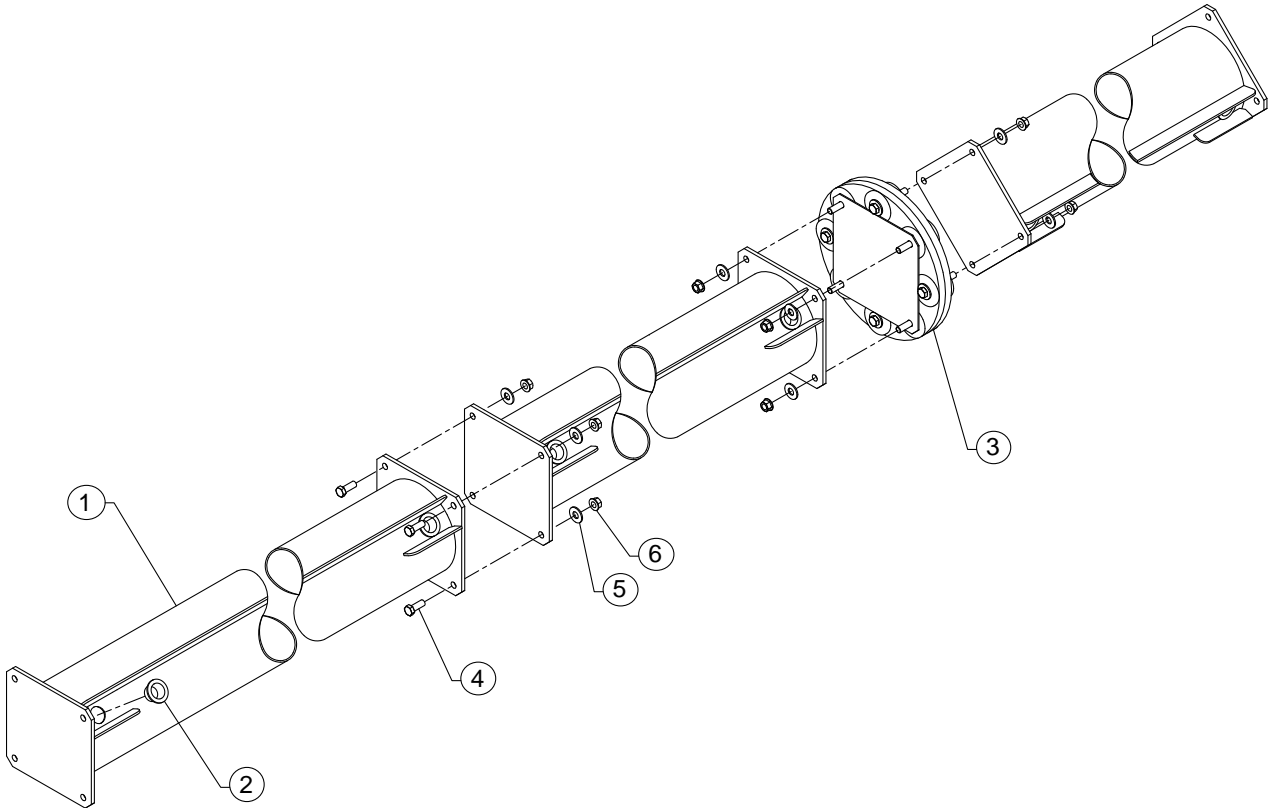
Capacitor configuration for Serial Numbers 601250 and higher

51329-00 ASSEMBLY, AC WEEDROLLER CONTROL TOP			
ITEM	PART NUMBER	DESCRIPTION	QTY.
1	51246	MOUNT PLATE WELDMENT	1
2	51262	HINGE (WR-2)	1
3	51270	STOP WR COVER	1
4	15250	WASHER, 5/16" FLAT	6
5	15153	NUT, 5/16 HEX	6
6	51335-00	KIT, AC SMART SWITCH MOUNT (WR-2)	1

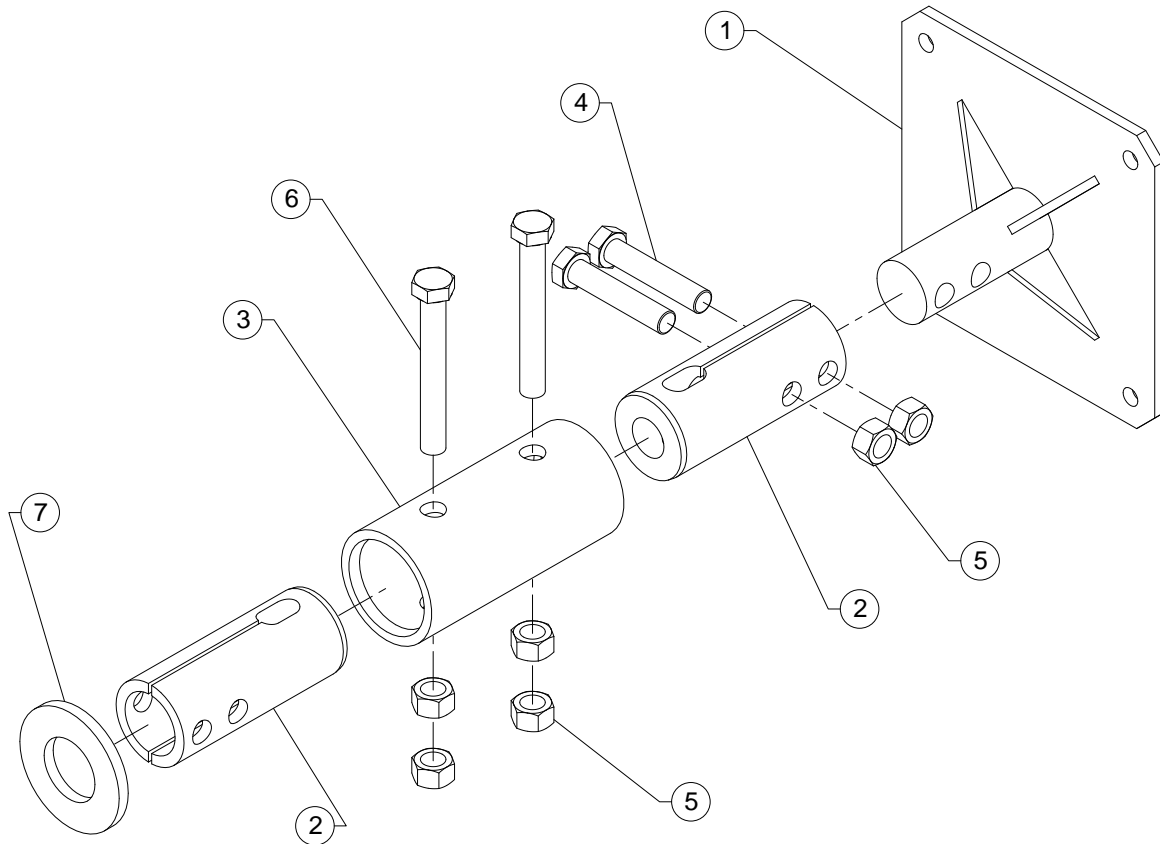
## AC WEEDROLLER CONTROL TOP

7	51258	ASSEMBLY, SWITCH MOUNT	1
A	51259	Z-BRACKET (WR-2)	1
B	51261	SLIP DISC SWITCH ASSEMBLY	4
C	15460	SCW #10 X 24 X 3/4 PAN PHP ZP	1
D	51260	MAGNET ARM (WR-2)	2
E	15594	SCW # 10 X 24 X 1-1/2 PAN PHP ZP	3
F	15397	NUT, #10-24 NYLOCK	8
G	12463	WIRE CLIP SWITCH ASSEMBLY	4
8	51292	ASSEMBLY WEEDROLLER COVER (INCLUDES DECALS)	1
9	15030	WASHER, 1/4" FLAT	10
10	15001	BOLT, 1/4 X 3/4 HEX HD	6
11	15105	NUT, 1/4" HEX	10
12	15219	BOLT, 5/16 X 1 HEX HD	2
13	15436	BOLT, 5/16 X 1-1/4 HEX	2
14	16376	GROMMET, 9/32 X 1/4	1
15	12483	FLANGE BUSHING, PLASTIC 1 X 2 X 1/8	1
16	16349	DECAL, WEEDROLLER	2
17	16348	DECAL, WEEDROLLER	1
18	16342	DECAL, INSTRUCTIONS	1
19	16155	DECAL, SERIAL NUMBER	1
20	12611	DECAL, CAUTION WATER LEVEL	1
21	12840	SWITCH, PUSHBUTTON ON MOMENTARY	1
22	12841	BOOT, BLACK RUBBER WATERPROOF	1
23	17320	STRAP, NYLON TIE	4
24	13365-00	TAPE, 1' DOUBLE COATED VINYL FOAM	1
25	13364-00	CONNECTOR 7 POLE TERMINAL STRIP	1
26	51328-00	ASSEMBLY, WR DRIVEHEAD HARNESS	1
27	13361-00	MOTOR, AC WEEDROLLER GEAR	1
28	51340-12	ASSEMBLY, 5/8 COUPLER WELDMENT	1
29	15532	SOC HD CAP SCREW 1/4 X 1-1/2	4
30	16611	CABLE TIE MOUNT	2
31	13360-00	CAPACITOR, 200 MFD	1
32	13363-00	HARNESS, AC WEEDROLLER MOTOR	1
33	13375-00	CAP, ROUND VINYL	1
34	11303	PERMA LOK 1.69 OZ VIAL (NOT SHOWN)	1
35	12704	KNOB, 1/4"-20 FEMALE INSERT	1
36	15372	KEY	1
37	15332	SET SCREW (COUPLER) (NOT SHOWN)	2
38	16196	CLAMP, 4" HOSE	1
39	51364-00	TUBE, CAPACITOR MOUNTING	1
40	14255-00	CLAMP, 2-1/2" HOSE	1

## 7 FOOT ROLLERS AND FLEX COUPLER



## ROLLER ADAPTER



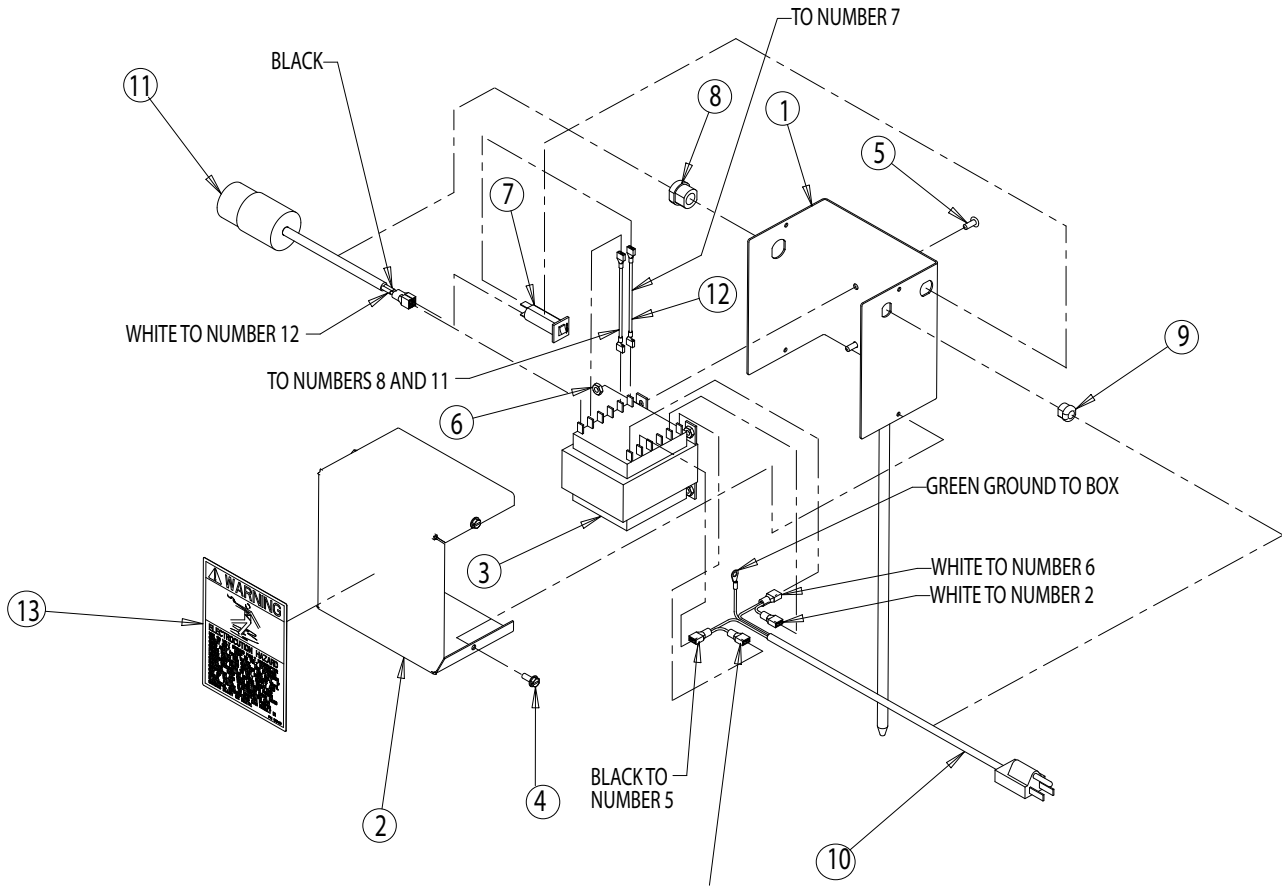
## 7 FOOT ROLLERS AND FLEX COUPLER

ASSEMBLY, 7 FOOT ROLLERS AND FLEX COUPLER			
ITEM	PART NUMBER	DESCRIPTION	QTY.
1	51290	WELDMENT, 7' ROLLER	3
2	16580	PLUG, 1 IN. TUBE	6
3	51288	ASSEMBLY, FLEX COUPLER (SEE PP. 32 & 33))	1
4	15006	BOLT, 3/8" X 1" GR5 HEX CAPSCREW ZP	8
5	15031	WASHER, 3/8" FLAT ZP	8
6	15051	NUT, 3/8" SERRATED FLANGE NC ZP	8

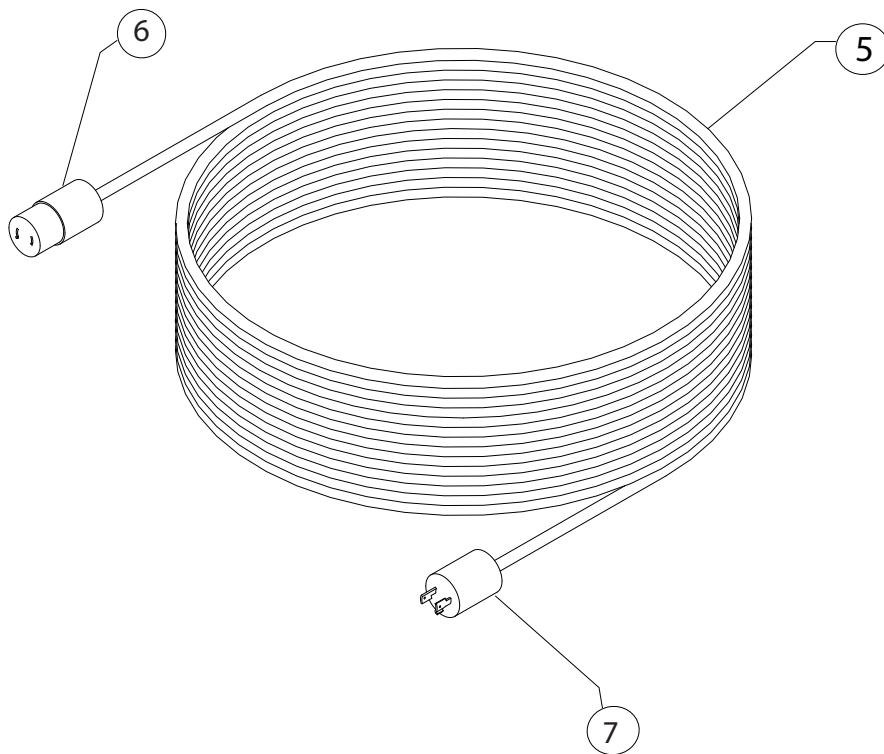
## ROLLER ADAPTER

51219, 51278, ASSEMBLY ROLLER ADAPTER			
ITEM	PART NUMBER	DESCRIPTION	QTY.
1	51213	WELDMENT, STEEL ADAPTER	1
2	51059	WEEDROLLER BUSHING	2
3	51060	WEEDROLLER COUPLER	1
4	15092	BOLT, 1/2 X 2-1/2 GR5 NC ZP	4
5	15043	NUT, 1/2" HEX NC ZP	2
6	15549	BOLT, 1/2 X 3-3/4 HHCS GR5 NC ZP	6
7	51283	DISC, SEAL COVER	1

# AC WEEDROLLER POWER SUPPLY



# 70' EXTENSION CORD



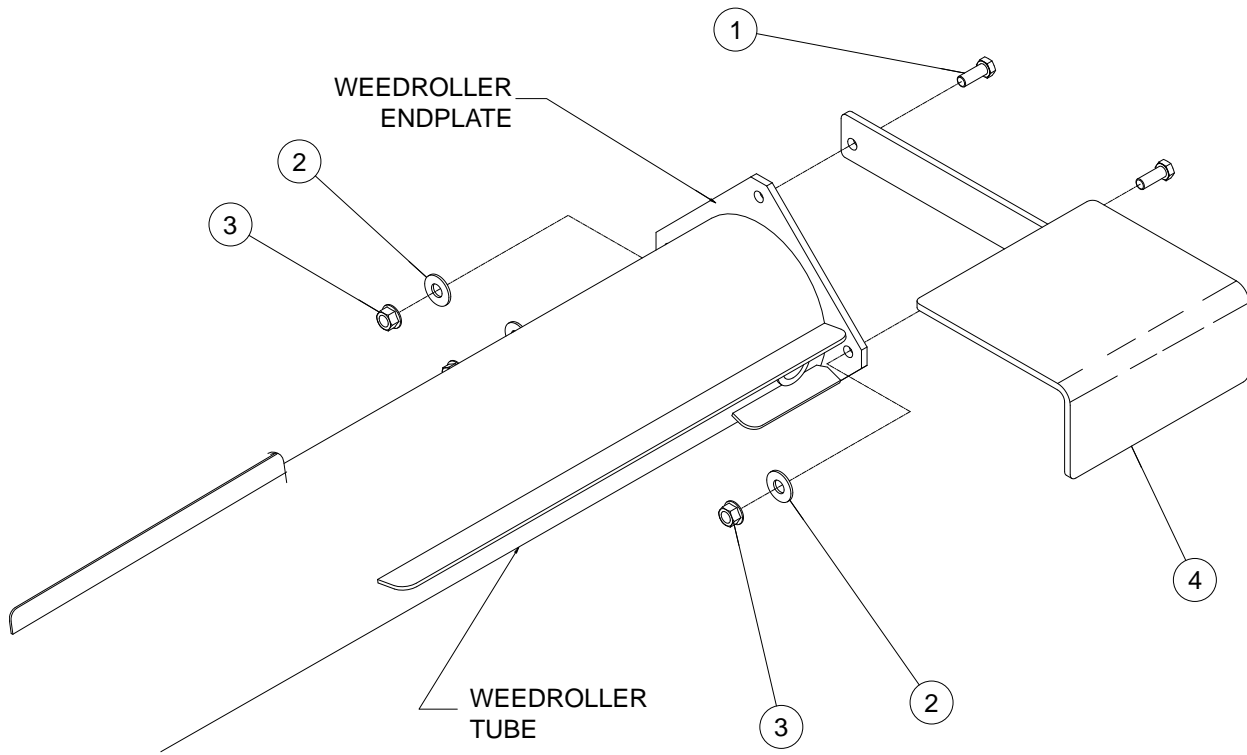
**AC WEEDROLLER POWER SUPPLY**

<b>51324-00, ASSEMBLY, AC WEEDROLLER POWER SUPPLY</b>			
<b>ITEM</b>	<b>PART NUMBER</b>	<b>DESCRIPTION</b>	<b>QTY.</b>
1	51323-17	WELDMENT, POWER SUPPLY BOX	1
2	51086-17	COVER, POWER SUPPLY BOX	1
3	13359-00	TRANSFORMER, 115 VAC TO 28 VAC	1
4	15187	SCREW, NO. 10 X 1/2 HEX	4
5	15423	SCREW, #10X24X1/2" PAN PHP ZP	4
6	15134	NUT, #10X24 HEX	4
7	16762	CIRCUIT BREAKER, 8 AMP	1
8	16380	STRAIN RELIEF BUSHING 16-3	1
9	16367	STRAIN RELIEF BUSHING 18-3	1
10	16439	CORD ASSEMBLY, WEEDROLLER	1
11	51326-00	ASSEMBLY, WR PS HARNESS	1
12	16441	SINGLE WIRE ASSEMBLY	2
13	16340	DECAL, WARNING WEEDROLLER	1

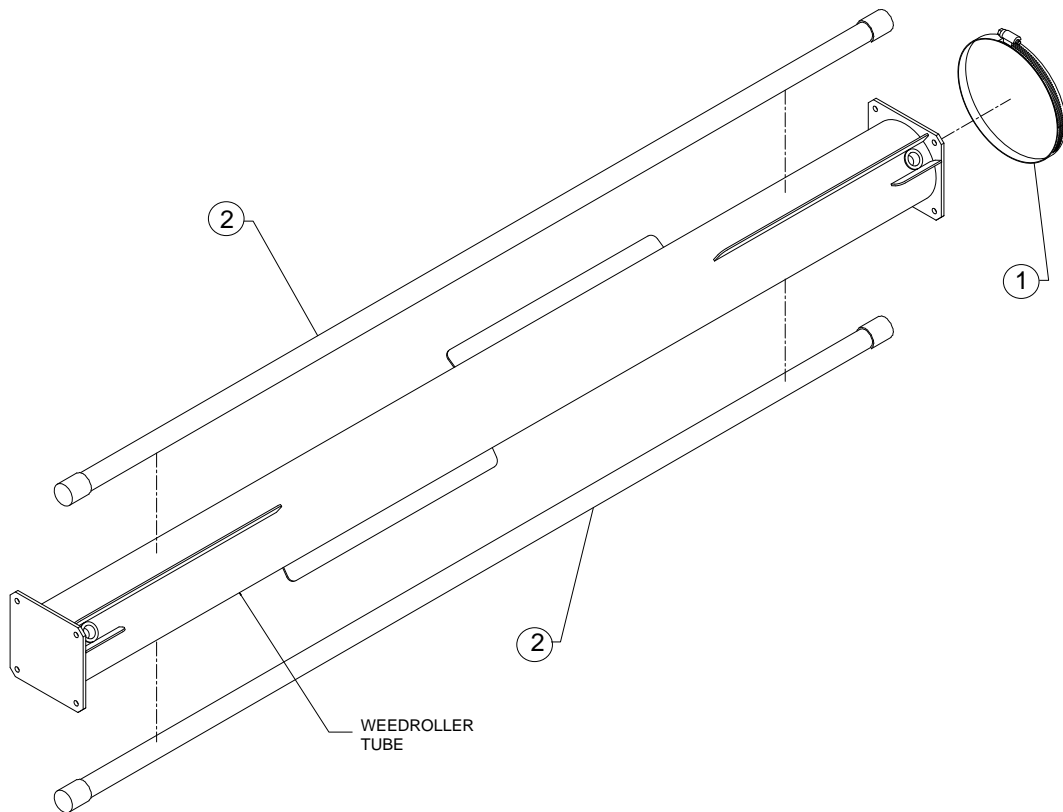
**70' EXTENSION CORD**

<b>51327-00, 70' EXTENSION CORD (AC WR)</b>			
<b>ITEM</b>	<b>PART NUMBER</b>	<b>DESCRIPTION</b>	<b>QTY.</b>
5	51327-00	70' EXTENSION CORD (AC WR) WITH ENDS	1
6	13374-00	CONNECTOR, 2 POLE FEMALE QUICK	1
7	13373-00	CONNECTOR, 2 POLE MALE	1

## MUD KIT (OPTIONS)



## PLASTIC PIPE MUD KIT (OPTIONS)





## MUD KIT (OPTIONS)

For moderate mud and muck conditions. Acts as a large paddle on the end roller, providing traction in mud. Remove mud kit after the WeedRoller has worked down to firmer lake bottom.

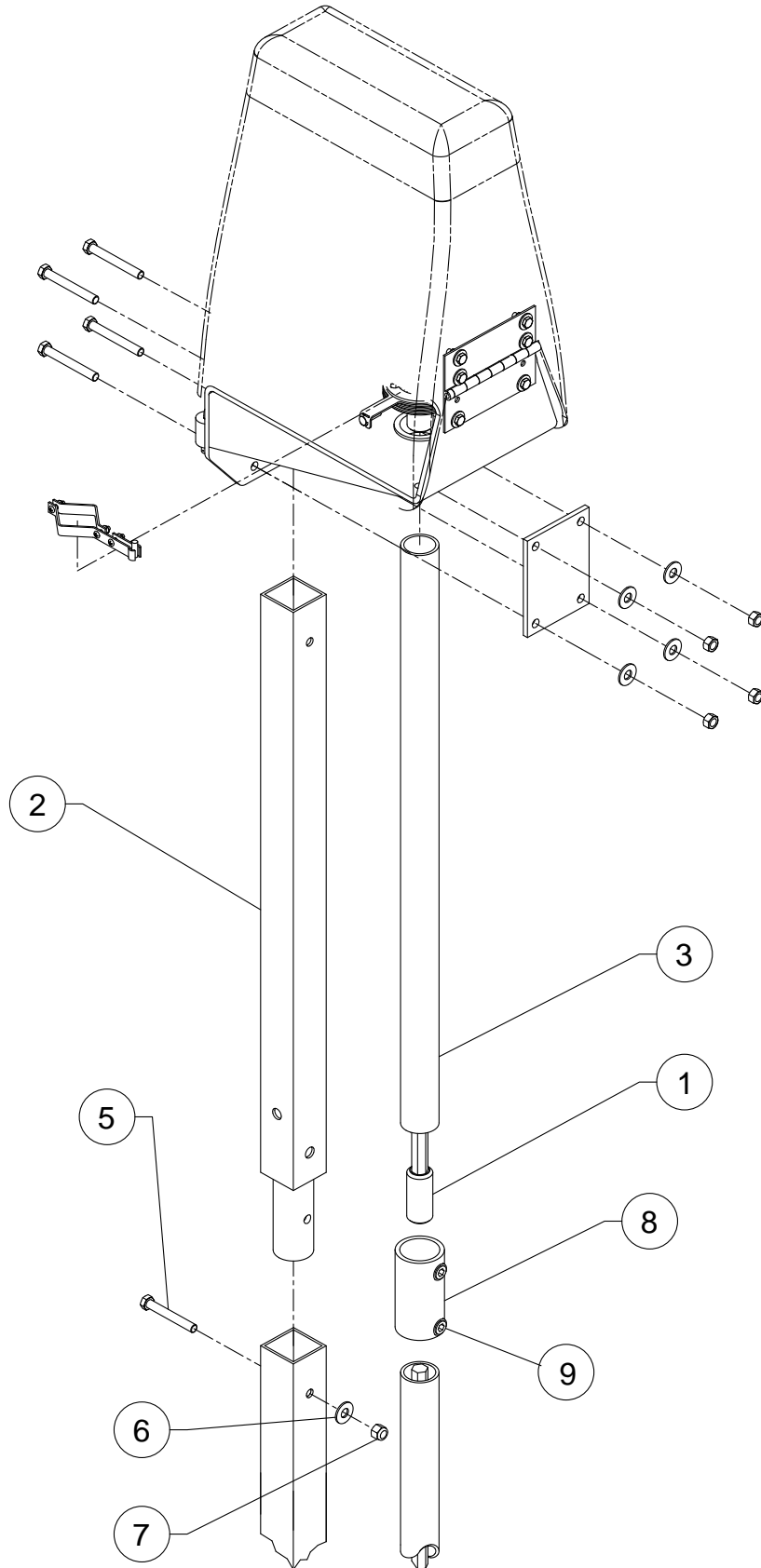
51320, MUD KIT			
ITEM	PART NUMBER	DESCRIPTION	QTY.
1	15006	BOLT, 3/8 X 1" GR5 HEX CAPSCREW	2
2	15031	WASHER, 3/8" FLAT ZP	2
3	15051	NUT, 3/8" SERRATED FLANGE NC ZP	2
4	51319	WELDMENT, MUD KIT	1
	51321	INSTRUCTIONS, MUD KIT	1

## PLASTIC PIPE MUD KIT (OPTIONS)

For extreme mud and muck conditions. Increases flotation of tubes. Remove mud kit after the WeedRoller has worked down to firmer lake bottom.

51134, PLASTIC PIPE MUD KIT			
ITEM	PART NUMBER	DESCRIPTION	QTY.
1	16626	SNAPLOCK HOSE CLAMP 7-3/4 DIA.	6
	51136	INSTRUCTIONS, MUD KIT II	1
2	51147	PLASTIC PIPE ASSEMBLY	4

# WEEDROLLER TALL EXTENSION KIT (DEEP WATER EXTENSION) (OPTIONS)

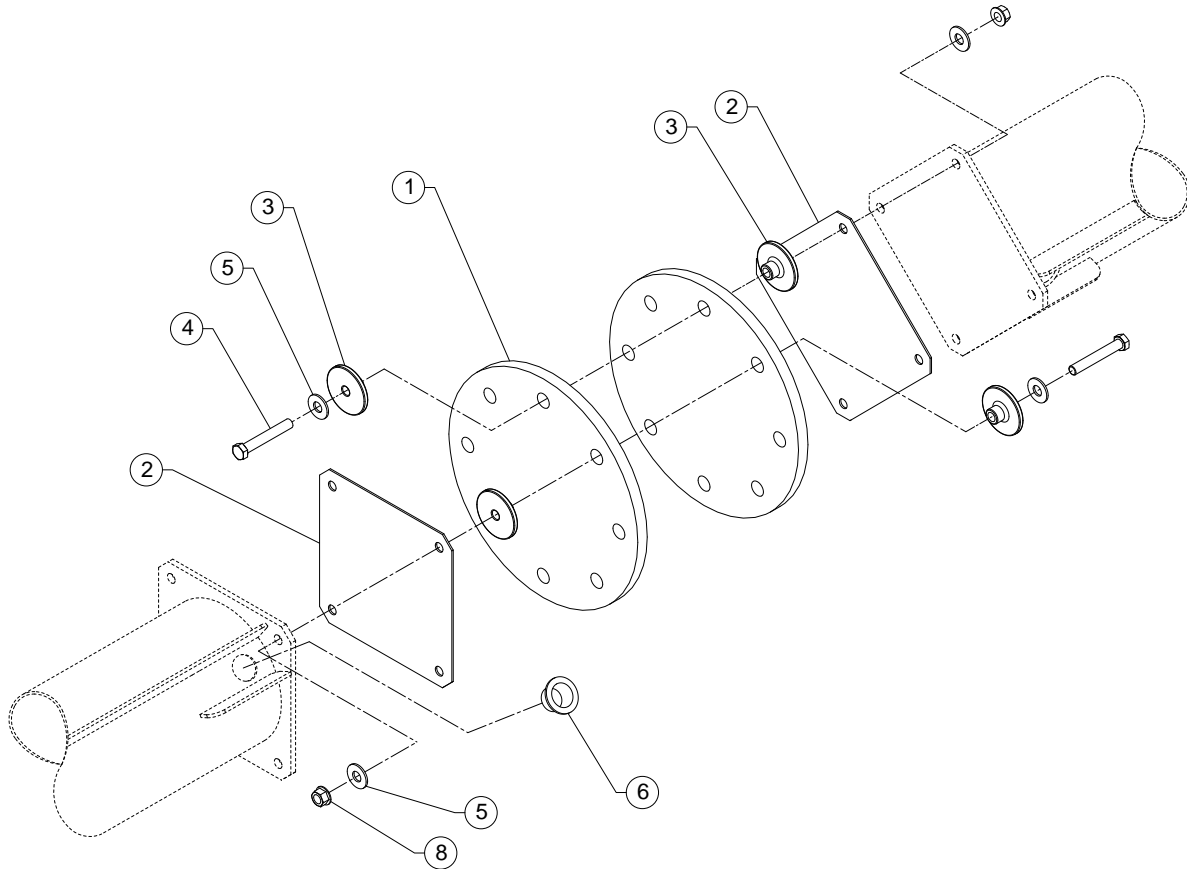


## WEEDROLLER TALL EXTENSION KIT (DEEP WATER EXTENSION) (OPTIONS)

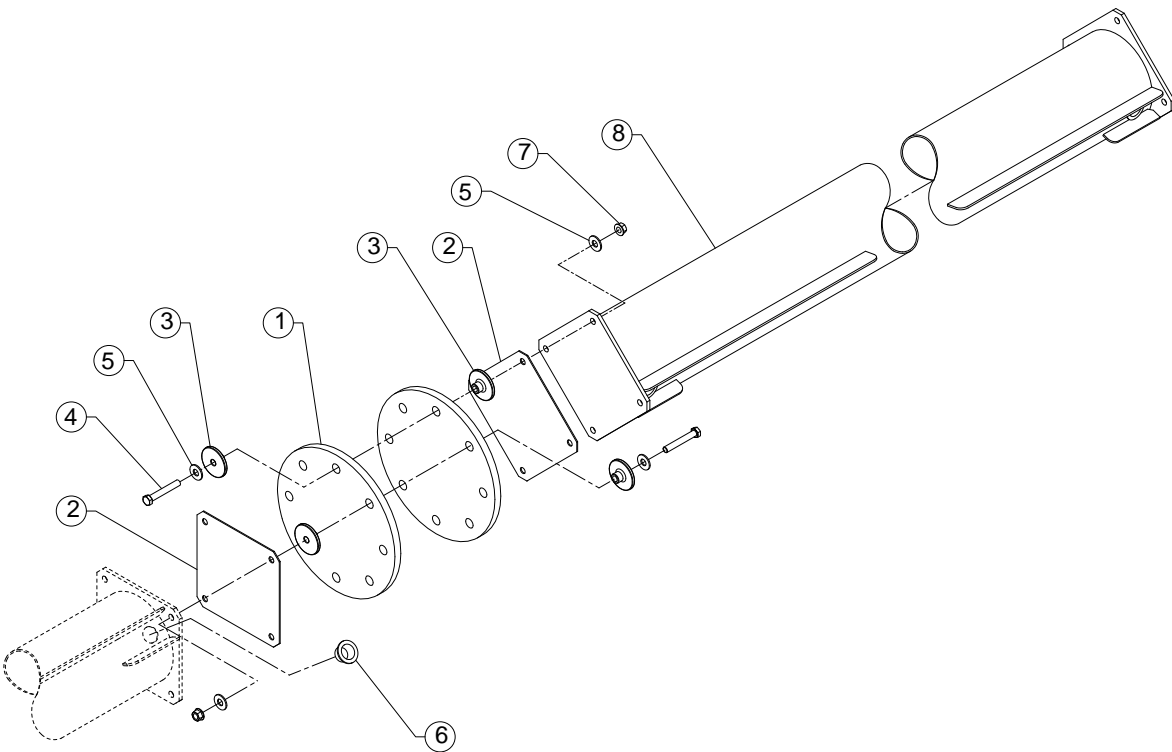
The 30" extension kit increases the maximum water depth of the standard unit from 4-1/2 feet to 7 feet. Up to two extensions can be added per WeedRoller.

51301, WEEDROLLER TALL EXTENSION KIT (DEEP WATER)			
ITEM	PART NUMBER	DESCRIPTION	QTY.
1	51284	WELDMENT, 5/8" HEX SHAFT	1
2	51275	WELDMENT, WR REAR TUBE EXTENSION	1
3	51279	TUBE, WR PIVOT EXTENSION	1
	51297	INSTRUCTIONS, WR TALL KIT	1
5	15437	BOLT, 3/8 X 2-3/4" GR5 NC HHCS ZP	1
6	15031	WASHER, 3/8" FLAT ZP	1
7	15042	NUT, 3/8" HEX NUT NC ZP	1
8	12613	COUPLER (INCLUDES SET SCREWS PN 15072)	1
9	15072	SET SCREW (NOT SHOWN)	4

## FLEX COUPLER REPLACEMENT (OPTIONS)



## ADDITIONAL 7 FOOT ROLLER WITH FLEX COUPLER (OPTIONS)



## FLEX COUPLER REPLACEMENT (OPTIONS)

For replacing one damaged or worn coupler between roller tubes. The kit contains replacement flex coupler belt-  
ing, wear plates, bushings, hardware and two tube plugs. Used only in 1995 and newer WeedRollers.

<b>51192, FLEX COUPLER REPLACEMENT</b>			
ITEM	PART NUMBER	DESCRIPTION	QTY.
1	51154	BELTING, FLEX COUPLER	2
2	51164	WEAR PLATE, FLEX COUPLER	2
3	51163	BUSHING, FLEX COUPLER	16
4	15116	BOLT, 3/8" X 2-1/2" GR5 HHCS ZP	8
5	15031	WASHER, 3/8" FLAT ZP	16
6	16580	PLUG, 1" TUBE	2
	51197	INSTRUCTIONS, FLEX COUPLER REPLACEMENT	1
8	15051	NUT, 3/8" SERRATED FLANGE NC ZP	8

## ADDITIONAL 7 FOOT ROLLER WITH FLEX COUPLER (OPTIONS)

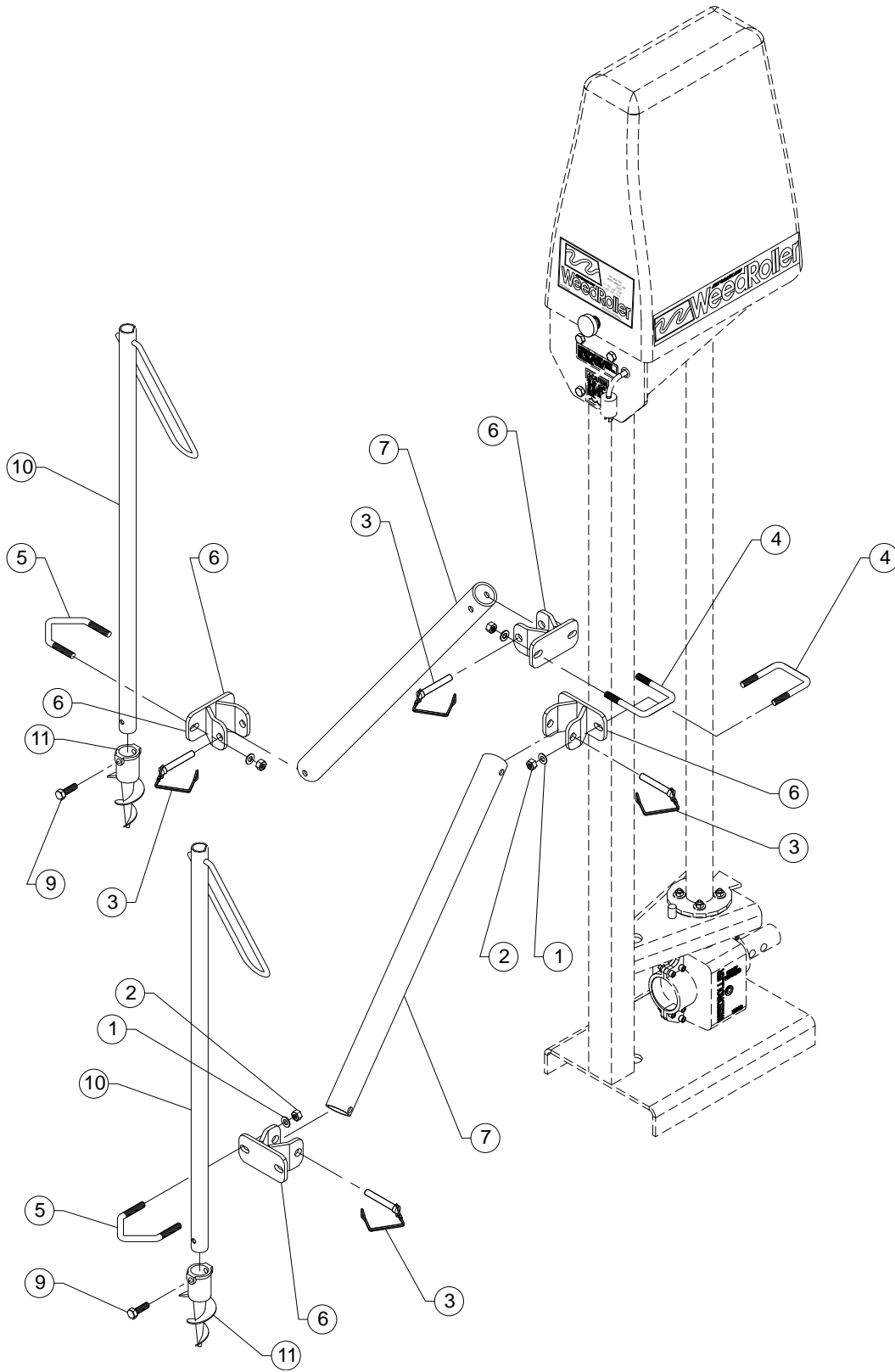
Comes complete with the necessary hardware to attach to the existing tubes.

### NOTE

Added tubes may require a special permit for use. Please  
consult your state and local regulations.

<b>51302, ADDITIONAL 7 FOOT ROLLER WITH FLEX COUPLER</b>			
ITEM	PART NUMBER	DESCRIPTION	QTY.
1	51154	BELTING, FLEX COUPLER	2
2	51164	WEAR PLATE, FLEX COUPLER	2
3	51163	BUSHING, FLEX COUPLER	16
4	15116	BOLT, 3/8" X 2-1/2" GR5 HHCS ZP	8
5	15031	WASHER, 3/8" FLAT ZP	16
6	16580	PLUG, 1" TUBE	2
7	15051	NUT, 3/8" SERRATED FLANGE NC ZP	8
8	51290	WELDMENT, 7' ROLLER	1

# TRIPOD MOUNTING KIT (OPTIONS)

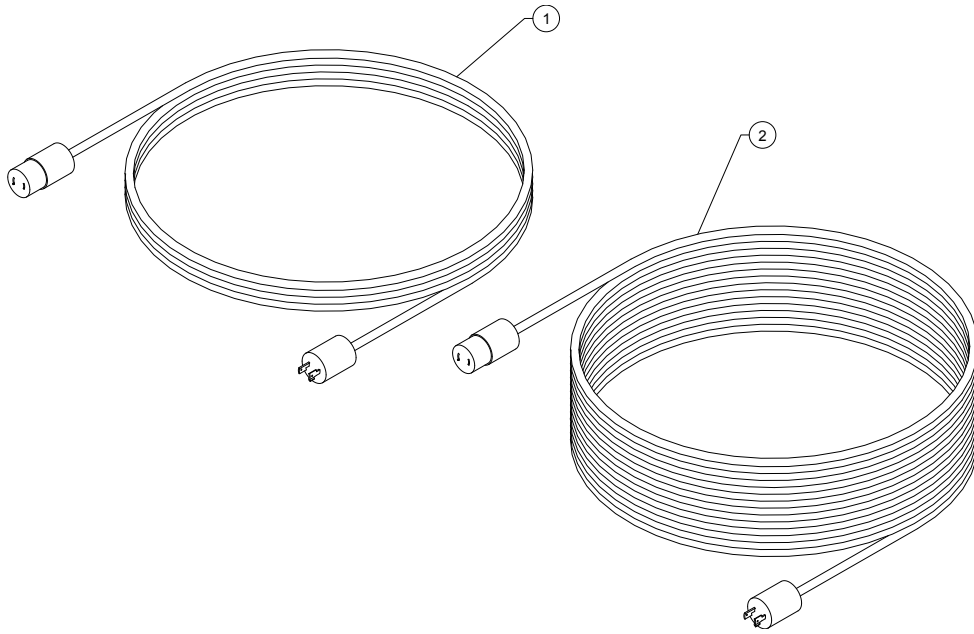


## TRIPOD MOUNTING KIT (OPTIONS)

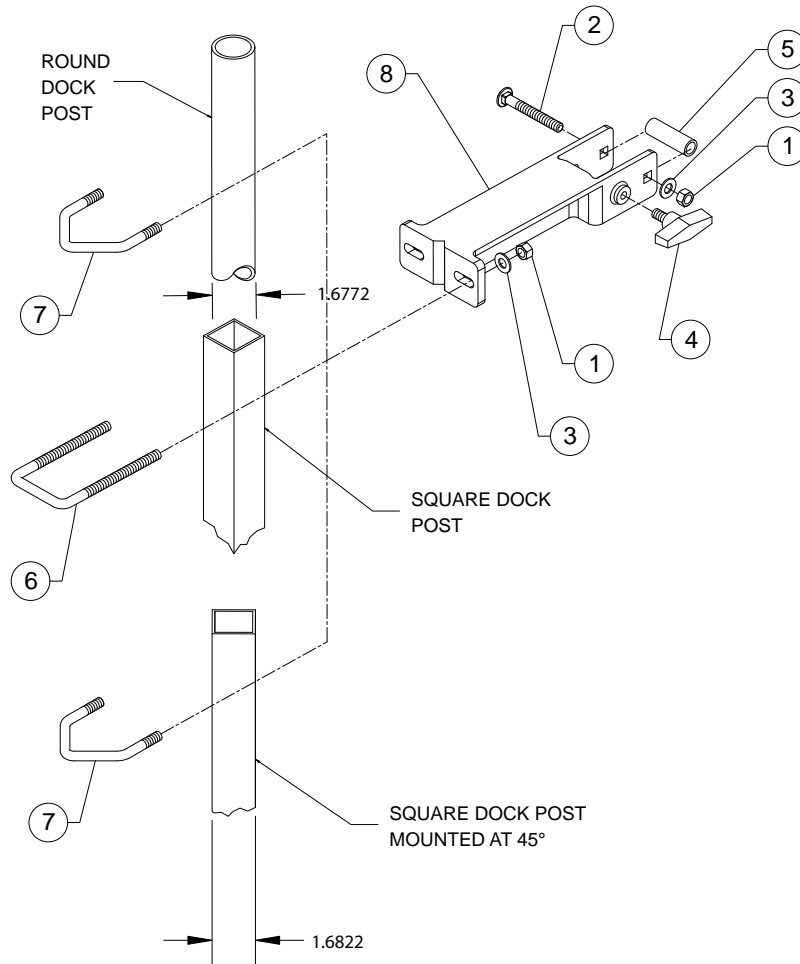
For mounting the WeedRoller on shore without a dock or other structure. The drive head serves as the first anchor point. Two sand screw anchors form the remaining two points.

51181, TRIPOD MOUNTING KIT			
ITEM	PART NUMBER	DESCRIPTION	QTY.
1-7	51182	ASSEMBLY, WEEDROLLER TRIPOD	2
1	15031	WASHER, 3/8" FALT ZP	8
2	15042	NUT, 3/8" HEX NUT NC ZP	8
3	16808	SNAPPER PIN, 3/8 X 2-3/4	4
4	51175	U-BOLT, 2-3/8 X 5 RECT. ZP	2
5	51180	V-BOLT, DOCK MOUNT ZP	2
6	51183	CASTING, TRIPOD BRACKET	4
7	51178	TUBE, TRIPOD LEG	2
	51186	INSTRUCTIONS, WEEDROLLER TRIPOD	1
9-11	51204	ASSEMBLY TRIPOD POST	2
9	15092	BOLT, 1/2 X 2-1/2 GR5 CAP ZP	2
10	51142	AUGER TUBE WELDMENT	2
11	51230	AUGER CASTING, WITH HOLES	2

## EXTENSION CORDS (OPTIONS)



## DOCK MOUNTING HARDWARE KIT (OPTIONS)





## EXTENSION CORDS (OPTIONS)

For longer docks that require more than 70 feet of cord between the 110 volt converter on land and the AC power head in the water.

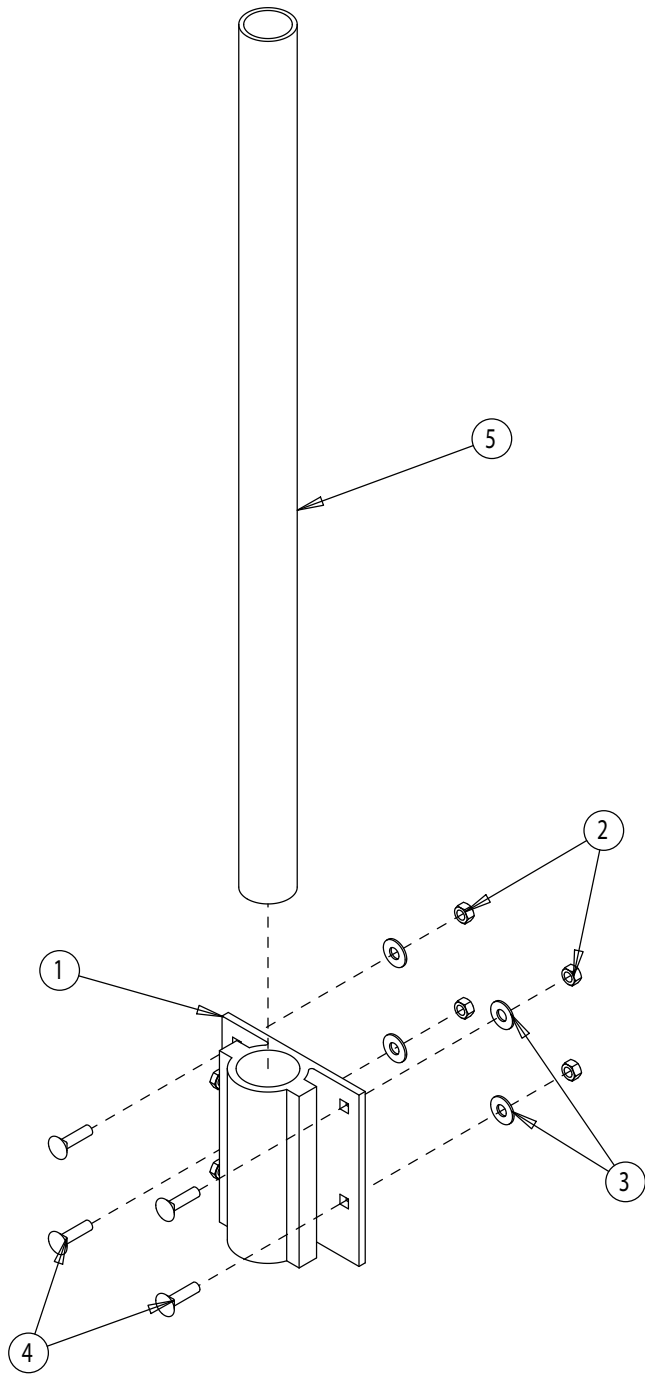
51343, 51324, 25' & 70' EXTENSION CORDS		
ITEM	PART NUMBER	DESCRIPTION
1	51343-00	25' EXTENSION CORD (AC WR)
2	51327-00	70' EXTENSION CORD (AC WR)

## DOCK MOUNTING HARDWARE KIT (OPTIONS)

Use additional dock hardware to easily move the WeedRoller from one location to another.

51188, DOCK MOUNTING HARDWARE KIT			
ITEM	PART NUMBER	DESCRIPTION	QTY.
1	15042	NUT, 3/8" HEX NC ZP	6
2	15100	BOLT CARR, 3/8 X 3" GR5 NC ZP	2
3	15260	WASHER, 3/8" SAE FLAT ZP	6
4	15524	KNOB, 3/8" X 3/4" STUD	2
5	51174	SPACER, DOCK MOUNT	2
6	51175	U-BOLT, 2-3/8" X 5" RECT. ZP	2
7	51180	V-BOLT, DOCK MOUNT ZP	2
8	51191	BRACKET, DOCK MOUNT	2
	51195	INSTRUCTIONS, DOCK MOUNT	1

# SIDE POST MOUNTING KIT (OPTIONS)

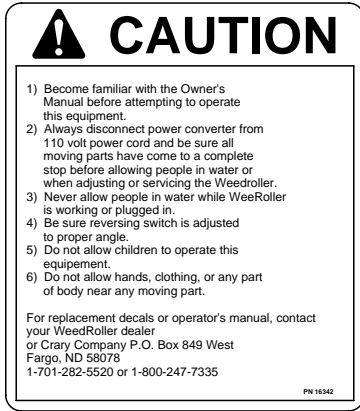


**SIDE POST MOUNTING KIT (OPTIONS)**

<b>51351, SIDE POST MOUNTING KIT</b>			
<b>ITEM</b>	<b>PART NUMBER</b>	<b>DESCRIPTION</b>	<b>QTY.</b>
1	14085-00	MOUNT, SIDE POST	1
2	15153	NUT, 5/16" HEX NC ZP	4
3	15250	WASHER, 5/16" FLAT ZP	4
4	15398	BOLT, 5/16" X 1-1/4" GR5 ZP CRG	1
5	51279	TUBE, WR PIVOT EXTENSION	1
	51349-00	INSTRUCTIONS, SIDE POST MOUNTING	1

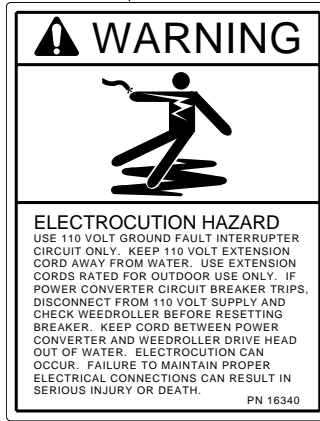
# DECALS

1



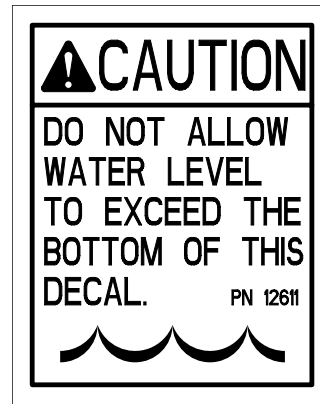
Located inside drivehead cover  
Scale 3/4:1

2



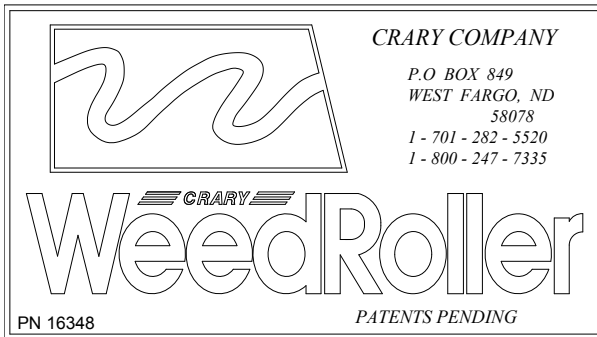
Located on front cover of power supply  
Scale 1/2:1

3



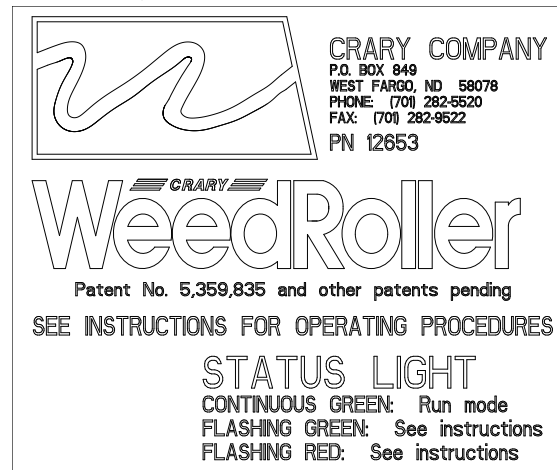
Located on front mount plate  
Scale 1:1

4



Located on front cover  
Scale 1/2:1

5



Located on smart switch  
Scale 1:1

6



Located on both sides of WeedRoller cover  
Scale 1/2:1

DECALS			
ITEM	PART NUMBER	DESCRIPTION	QTY.
1	16342	DECAL, INSTRUCTIONS WEEDROLLER	1
2	16340	DECAL, WARNING WEEDROLLER	1
3	12611	DECAL, CAUTION WATER LEVEL	1
4	16348	DECAL, CRARY WEEDROLLER	1
5	12653	DECAL, SMART SWITCH	1
6	16349	DECAL, WEEDROLLER	2





# CRARY WeedRoller

 **CRARY** 

Crary Industries  
237 12th St. NW ~ P.O. Box 849  
West Fargo, ND 58078-0749  
(701)282-5520 ~ FAX: (701)282-9522  
[www.cray.com](http://www.cray.com)  
[www.weedroller.com](http://www.weedroller.com)



Manufactured in the  
United States of America  
by Crary Industries