

CRARY

WeedRoller[®] PRO

OWNER'S/PARTS MANUAL

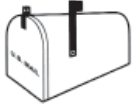
WEEDROLLER PRO

REGULATIONS FOR WEED REMOVAL VARY FROM STATE TO STATE. CONSULT YOUR STATE AND LOCAL WEED REMOVAL REGULATIONS.

To prevent risk of spreading aquatic invasive species consult your state and local regulations for relocating a WeedRoller from one public body of water to another.

RECORD SERIAL NUMBER HERE

HOW TO REACH US



WWW.**CRARY**.COM

ADDRESS	HOURS	TELEPHONE FAX NUMBER	E-MAIL INTERNET
WeedRoller 237 12 th St. NW West Fargo, ND 58078	Monday-Friday 8 am-5pm (CST)	Parts and Service Ph: 701.282.5520 • 800.247.7335 Fax: 701.282.9522	Email: service@weedroller.com • sales@weedroller.com Online: www.weedroller.com

BEFORE YOU BEGIN

Dear WeedRoller Customer,

Thank you for purchasing a Crary WeedRoller. The WeedRoller is designed, tested, and manufactured to give years of dependable performance. It is necessary to correctly adjust and make regular inspections to keep your WeedRoller operating at peak efficiency. The following pages will assist in the installation, operation and maintenance of your machine. Please read this manual before operating the WeedRoller.

If you have any questions or comments about this manual, please call us toll-free at 1-800-247-7335.

Please call or write your local factor-authorized WeedRoller dealer with questions or problems with your WeedRoller.

This document is based on information available at the time of its publication. WeedRoller is continually making improvements and developing new equipment. In doing so, we reserve the right to make changes or add improvements to our product without obligation for equipment previously sold.

Please Send Us Your Warranty Registration Card

A warranty card is included with the WeedRoller. Please take the time to fill in the information requested on the card. When you send your completed card to us, we will register your WeedRoller and start your coverage under our limited warranty.

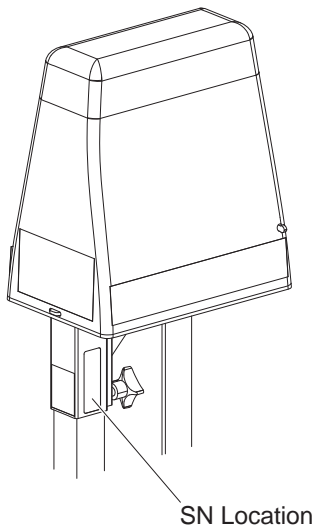
Serial Number Location

Always give your authorized WeedRoller dealer the serial number of your WeedRoller when ordering parts, requesting service or any other information.

Please record the serial number in the space provided on the front cover and on the warranty and registration card.

MANUFACTURED BY CRARY INDUSTRIES
WEST FARGO, NORTH DAKOTA 58078 U.S.A.
SERIAL NUMBER
MANUFACTURED IN U.S.A.

Serial Number Decal



LIMITED WARRANTY

This warranty applies to all AG and Marine Equipment manufactured by Crary Industries.

Crary Industries warrants to the original owner each new Crary Industries product to be free from defects in material and workmanship, under normal use and service. The warranty shall extend as shown below from date of delivery. The product is warranted to the original owner as evidenced by a completed warranty registration on file at Crary Industries.

Product	Warranty Length
Finger Air Reel	2 year
Crary Wind System	2 year
Big Top	1 year
Top Off Auger	1 year
Cyclone	1 year
Cutting Systems	1 year
WeedRoller	1 year (commercial)
	2 year (homeowner)
Replacement Parts	90 days (unless superceded by warranty)
OEM Fans	1 year

THE WARRANTY REGISTRATION MUST BE COMPLETED AND RETURNED TO CRARY INDUSTRIES WITHIN 10 DAYS OF DELIVERY OF THE PRODUCT TO THE ORIGINAL OWNER OR THE WARRANTY WILL BE VOID.

In the event of a failure, return the product, at your cost, along with proof of purchase to the selling Crary Industries dealer. Crary Industries will, at its option, repair or replace any parts found to be defective in material or workmanship. Warranty on any repairs will not extend beyond the product warranty. Repair or attempted repair by anyone other than a Crary Industries dealer as well as subsequent failure or damage that may occur as a result of that work will not be paid under this warranty. Crary Industries does not warrant replacement components not manufactured or sold by Crary Industries.

1. This warranty applies only to parts or components that are defective in material or workmanship.
2. This warranty does not cover normal wear items including but not limited to bearings, belts, pulleys and reel tines.
3. This warranty does not cover normal maintenance, service or adjustments.
4. This warranty does not cover depreciation or damage due to misuse, negligence, accident or improper maintenance.
5. This warranty does not cover damage due to improper setup, installation or adjustment.
6. This warranty does not cover damage due to unauthorized modifications of the product.

Crary Industries is not liable for any property damage, personal injury or death resulting from the unauthorized modification or alteration of a Crary product or from the owner's failure to assemble, install, maintain or operate the product in accordance with the provisions of the Owner's manual.

Crary Industries is not liable for indirect, incidental or consequential damages or injuries including but not limited to loss of crops, loss of profits, rental of substitute equipment or other commercial loss.

This warranty gives you specific legal rights. You may have other rights that may vary from area to area.

Crary Industries makes no warranties, representations or promises, expressed or implied as to the performance of its products other than those set forth in this warranty. Neither the dealer nor any other person has any authority to make any representations, warranties or promises on behalf of Crary Industries or to modify the terms or limitations of this warranty in any way. Crary Industries, at its discretion, may periodically offer limited, written enhancements to this warranty.

CRARY INDUSTRIES RESERVES THE RIGHT TO CHANGE THE DESIGN AND/OR SPECIFICATIONS OF ITS PRODUCTS AT ANY TIME WITHOUT OBLIGATION TO PREVIOUS PURCHASERS OF ITS PRODUCTS.

IMPORTANT

THE WEEDROLLER IS UNIQUE:

The patented WeedRoller is the only device of its kind utilizing the concept of surface activity to free a defined area of weeds and light sediments. Because of its uniqueness, many neighbors, observers, and even natural resource officials may be unfamiliar with the product and what it does.

The legal restrictions governing the WeedRoller vary from state to state. There may be restrictions because of federal regulations, county or city authorities, lake associations, or private access lakes. Please check into any new or additional concerns that may apply to your individual application.

THE WEEDROLLER IS ENVIRONMENTALLY FRIENDLY:

The WeedRoller is 100% chemical free. Seasonal use of the WeedRoller will eliminate the need for adding toxic weed control chemicals that are harmful to lake life, water quality and even the health of people and animals.

The WeedRoller has been known to provide great spawning areas for most types of fish. It also can provide the perfect “attack” zone for fish. This “weed line” is where large fish hide waiting for the smaller fish to appear in the open. The attack zone is a great area for fishing.

THE WEEDROLLER IS SAFE:

The WeedRoller works automatically when the waterfront is not in use. WeedRoller should not be operated in areas where people are swimming or engaging in other waterfront activities.

IMPORTANT GUIDELINES FOR USING THE WEEDROLLER

Tell Your Neighbors:

Neighboring property owners may be curious about your WeedRoller. If you show them the product, and explain how it works, they will appreciate it and know that it will not negatively affect them. In fact, the improved swimming area has, in many instances, improved property values.

The WeedRoller will stir up areas where accumulations of light sediment or “muck” exist. These sediments will move with whatever natural water currents exist. This may, in some cases, cloud the water for your neighbors. They need to know that the clouding will disappear when the light materials have been carried out of the WeedRoller area. Also, tests show that most sediment does not move very far from the WeedRoller operating area. The relocated sediment may be measurably deeper within 10 feet of the operating arc, but not much beyond. In most cases, it does not impact adjoining property. Typically, normal wind and wave action will quickly have the whole area looking as if nothing has changed.

GATHER UPROOTED WEEDS:

During the initial phase of WeedRoller operation (usually three days or less), existing weeds and vegetation will become dislodged and float to the surface. Many weeds can float away and re-root somewhere else. During this initial operating period, it is important to gather these floating weed segments and safely dispose of them so you don't contribute to someone else's weed problem. Many natural resources departments require clean up of weeds, no matter what type of weed removal method is used.

With regular WeedRoller use, weeds are prevented from regenerating in the operating area. Therefore, after the initial phase, the WeedRoller is a weed preventative. Gathering and potential spreading of weeds is generally not an issue after this initial phase.

BE AWARE OF FISH SPAWNING SEASON:

Many types of fish prefer to spawn in weed free and shallow areas. The clear sandy bottom created by the WeedRoller is often ideal, and many fish will be attracted to this area for spawning. The WeedRoller can help increase the fish population if it is not operated during the critical spawning period. During this period, operating the WeedRoller can destroy the eggs and affect the hatch in the spawning beds. Please identify these critical times by contacting your DNR or fisheries specialist, and refrain from WeedRoller operation during this time.

COMPLY WITH STATE AND LOCAL REGULATIONS:

Restrictions on the WeedRoller may vary from state to state. Additional restrictions may exist within municipalities, counties, or within private lake associations. A permit may be required. Please check with appropriate authorities regarding applicable requirements.

Individuals within your governing bodies may be unfamiliar with the WeedRoller and issues regarding weed removal. Inviting an enforcement officer to view the WeedRoller while it is in operation may help to clear up any questions he or she has.

We welcome feedback from our customers regarding information contained in this manual. Please feel free to call us at 1-800-247-7335.

TABLE OF CONTENTS

DESCRIPTION	PAGE	DESCRIPTION	PAGE
SAFETY	1	OPERATION	12
1.1 SAFETY ALERT SYMBOL	1	3.1 INITIAL OPERATION.....	12
1.2 BEFORE OPERATING.....	1	3.2 CONTROLLER.....	12
1.3 ELECTRICAL SAFETY.....	2	3.3 CONTROLLER - POWER-UP.....	12
1.4 OPERATION SAFETY.....	2	3.4 CONTROLLER - START FUNCTION.....	12
1.5 SAFETY DECALS	3	3.5 CONTROLLER - PARK/PAUSE FUNCTION.....	13
ASSEMBLY	4	3.6 CONTROLLER - AUTO CYCLE.....	13
2.1 BEGINNING ASSEMBLY	4	3.7 CONTROLLER - REVERSE.....	13
2.2 CONNECTING THE ROLLER ADAPTER.....	4	3.8 CONTROLLER - RESET.....	13
2.3 CONNECTING THE ROLLERS	4	3.9 CONTROLLER - PROTECTION CIRCUITRY INDICATOR	14
2.4 INSTALLING THE FLEX COUPLER	5	3.10 OPERATING IN MUDDY CONDITIONS	15
2.5 CHOOSE CORRECT DOCK MOUNT.....	6	3.11 ADJUSTING BRACKETS TO CONDITIONS.....	15
2.6 ATTACH DOCK MOUNT BRACKETS.....	7	SERVICE & MAINTENANCE.....	16
2.7 REMOVING THE DRIVEHEAD.....	8	4.1 TRIPPED CIRCUIT BREAKER	16
2.8 REINSTALLING THE DRIVEHEAD.....	8	4.2 OFF-SEASON STORAGE.....	16
2.9 MAGNET REPLACEMENT	8	4.3 LOAD REVERSE.....	16
2.10 ATTACH DRIVE HEAD TO THE DOCK	9	4.4 AC WEEDROLLER SERVICE RECORDS.....	17
2.11 ATTACH ROLLERS	9	4.5 AC WEEDROLLER TROUBLESHOOTING FLOW CHART 1.....	18
2.12 CONNECT DRIVE HEAD TO POWER	10	4.6 AC WEEDROLLER TROUBLESHOOTING FLOW CHART 2.....	20
2.13 ADJUST THE SWITCH ARMS	11	4.7 AC WEEDROLLER TROUBLESHOOTING FLOW CHART 3.....	20
		4.8 AC WEEDROLLER WIRING DIAGRAM	21

1 Section

SAFETY

1.1 SAFETY ALERT SYMBOL



The Owner/Operator's manual uses this symbol to alert you of potential hazards. Whenever you see this symbol, read and obey the safety message that follows it. Failure to obey the safety message could result in personal injury, death or property damage.



CAUTION



Indicates a potentially hazardous situation that, if not avoided, may result in minor or moderate injury.



WARNING



Indicates a potentially hazardous situation that, if not avoided, could result in death or serious injury.



DANGER



Indicates an imminently hazardous situation that, if not avoided, will result in death or serious injury.

1.2 BEFORE OPERATING



1. Read and understand this Owner/Operator's manual. Be completely familiar with the controls and the proper use of this equipment.
2. Familiarize yourself with all of the safety and operating decals on this equipment and on any of its attachments or accessories.
3. Keep safety decals clean and legible. Replace missing or illegible safety decals.
4. Use a 110 volt ground fault interrupter circuit.
5. Never allow people to enter the water while the WeedRoller is operating.
6. Adjust the reversing switches to the proper angle.
7. Keep away from all moving parts.
8. Avoid wearing loose fitting clothing while operating this machine. Never operate this machine wearing clothing with drawstrings that could wrap around or get caught in the machine.
9. Do not allow children to operate this equipment.
10. Before inspecting or servicing any part of this machine, shut off the machine, disconnect the 110 volt power cord and make sure all moving parts have come to a complete stop before allowing people to enter the water.
11. Visually check that all screws, nuts, bolts and other fasteners are properly secured before starting the machine.
12. Check all screws, nuts, bolts and other fasteners for proper tightness once every 50 hours of operation.

1.3 ELECTRICAL SAFETY

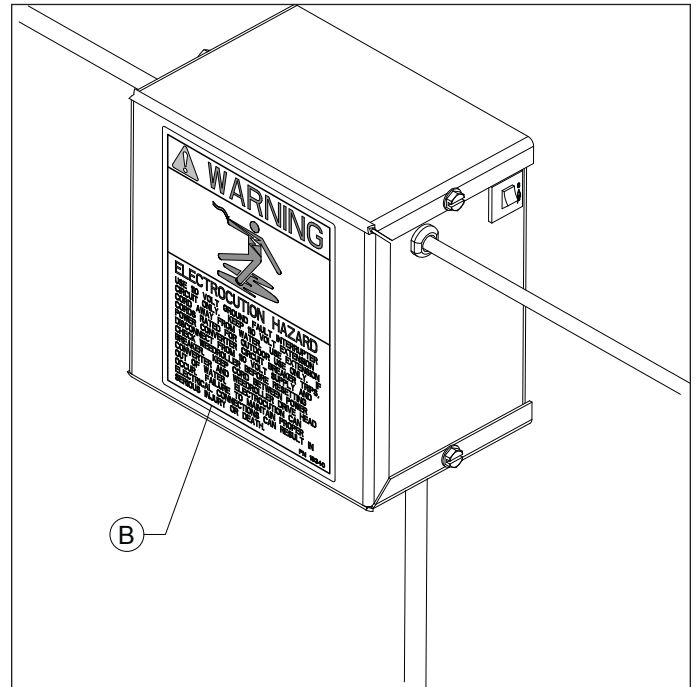
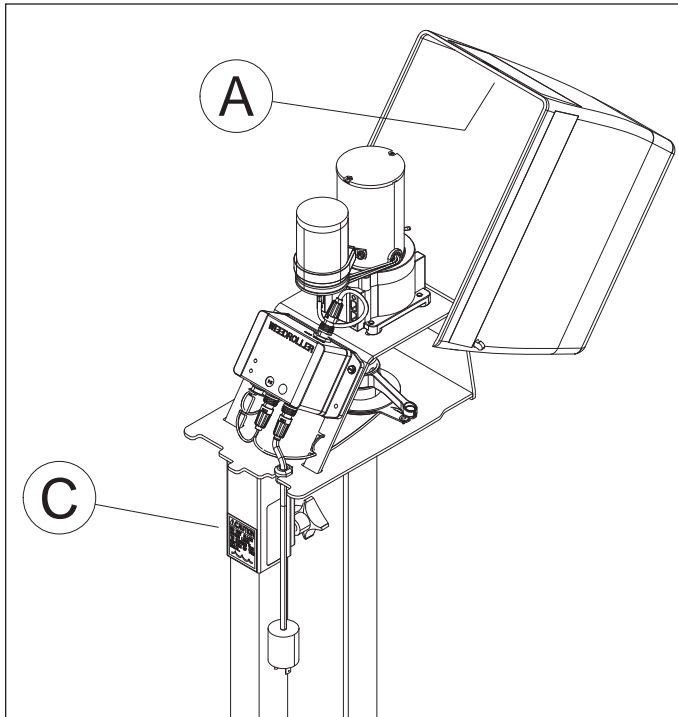
1. Use the machine only with extension cords suitable for outdoor use to prevent shock. Suitable extension cords are extremely important for the operator's personal safety. Wire size should be 14 gauge or larger, and the cord should be no longer than 100 feet.
2. Never use an indoor extension cord.
3. Ensure the power cord is in good condition. A cord with cracked or broken insulation is hazardous, particularly in the presence of moisture or combustible material. It is also important that the connectors be of rugged construction, in good condition, and securely attached to the outer jacket.
4. Remove the extension cord immediately from the wall receptacle if the power cord is damaged in any manner.
5. Use only an electric circuit having adequate capacity.
6. Determine the cause and take corrective action if a fuse is blowing or circuit breaker is tripping. Blowing a fuse or tripping a circuit breaker is a warning the machine is overloading, or too many devices are taking power from the circuit, or both. Do not install a higher capacity fuse.
7. Do not abuse the power cord. Never pull a machine by the cord to disconnect it from the receptacle. Keep the power cord away from excessive heat, oil, and sharp edges. Keep power cords out of the water.
8. Disconnect the machine when not in use, before servicing, and when changing attachments.
9. Always use a 110V ground fault circuit interrupter.

1.4 OPERATION SAFETY

1. Operate the WeedRoller on a fairly smooth surface. Each flex coupler assembly allows a 10-degree flex.
2. Check the lake bottom for exposed pieces of metal, rock, bottles, cans, or other foreign objects before running the WeedRoller. Remove the objects to allow the WeedRoller to do a better job and to make the area safer for swimming and water use.
3. Clear visible obstructions from surface area where the WeedRoller will operate.
4. Disconnect the power source and make sure all moving parts are completely stopped before inspecting or servicing any part of the machine.
5. Disconnect the power source and allow the machine to stop if the WeedRoller strikes a foreign object or starts making an unusual noise or vibrating. After stopping the WeedRoller:
 - A. Inspect for damage.
 - B. Replace or repair any damaged parts.
 - C. Check for and tighten any loose parts.
6. Keep the rollers clean of debris and weed accumulations.
7. Do not allow large amounts of material to build up on the rollers. This can cause the machine to stall or cause damage to the drive system.
8. Disconnect the power source if the machine stalls or becomes blocked.
9. Do not move the WeedRoller while it is operating.
10. Disconnect the 110 volt power cord and be sure all moving parts have come to a complete stop before allowing people to enter the water or when adjusting or servicing the WeedRoller. Park the WeedRoller under or beside a dock, or behind or beside boat lifts.
11. Keep people from contacting the roller tube and accidentally injuring themselves by never allowing water activity above or beside the WeedRoller.
12. Never allow people to stand on or dive from the control top or electric motor.

1.5 SAFETY DECALS

Familiarize yourself with all of the safety and operating decals on the machine and the associated hazards. Make certain that all safety and operational decals on this machine are kept clean and in good condition. The decals are shown below at reduced sizes. Apply replacement decals to their original locations.



A. PN 16342

B. PN 16340

C. PN 12611

CAUTION

- 1) Become familiar with the Owner's Manual before attempting to operate this equipment.
- 2) Always disconnect power converter from 110 volt power cord and be sure all moving parts have come to a complete stop before allowing people in water or when adjusting or servicing the WeedRoller.
- 3) Never allow people in water while WeedRoller is working or plugged in.
- 4) Be sure reversing switch is adjusted to proper angle.
- 5) Do not allow children to operate this equipment.
- 6) Do not allow hands, clothing, or any part of body near any moving part.

For replacement decals or operator's manual, contact your WeedRoller dealer or Crary Company P.O. Box 849 West Fargo, ND 58078
1-701-282-5520 or 1-800-247-7335

PN 16342

WARNING

ELECTROCUTION HAZARD
USE 110 VOLT GROUND FAULT INTERRUPTER CIRCUIT ONLY. KEEP 110 VOLT EXTENSION CORD AWAY FROM WATER. USE EXTENSION CORDS RATED FOR OUTDOOR USE ONLY. IF POWER CONVERTER CIRCUIT BREAKER TRIPS, DISCONNECT FROM 110 VOLT SUPPLY AND CHECK WEEDROLLER BEFORE RESETTING BREAKER. KEEP CORD BETWEEN POWER CONVERTER AND WEEDROLLER DRIVE HEAD OUT OF WATER. ELECTROCUTION CAN OCCUR. FAILURE TO MAINTAIN PROPER ELECTRICAL CONNECTIONS CAN RESULT IN SERIOUS INJURY OR DEATH.

PN 16340

CAUTION

DO NOT ALLOW WATER LEVEL TO EXCEED THE BOTTOM OF THIS DECAL.

PN 12611

2 Section

ASSEMBLY

2.1 BEGINNING ASSEMBLY

The WeedRoller comes in three separate boxes. Inspect each box to make sure that no parts are missing.

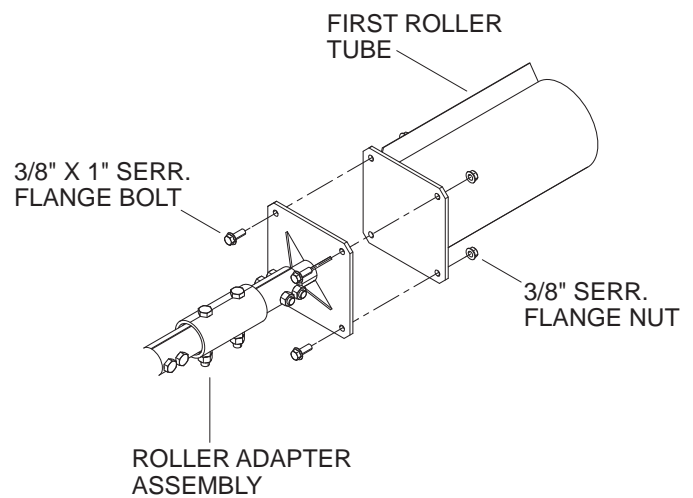
Box One contains: Drive Head Assembly, Owner's Manual, Warranty Registration Card, Installation DVD.

Box Two contains: (2) 7' Roller Tubes

Box Three contains: (1) Flex Coupler Assembly, (1) 7' Roller Tube, (1) Roller Adapter Assembly, Dock Mount Brackets (2), 70' Extension Cord, Assorted Hardware, AC Power Supply.

2.2 CONNECTING THE ROLLER ADAPTER

1. Align the holes in the roller adapter with the bolt holes in a 7' roller tube.
2. Install the 3/8" x 1" flanged bolts and nuts provided in the hardware kit.
3. Torque to 30 ft-lbs.

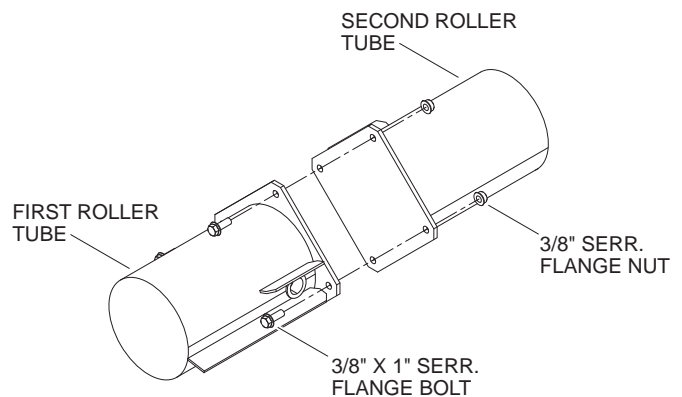


2.3 CONNECTING THE ROLLERS

1. To connect one aluminum roller to another, align the bolt ends of the two rollers.
2. Install the 3/8" x 1" flanged bolts and nuts.
3. Torque to 30 ft-lbs.

NOTE

Additional rollers can be added. Maximum number of rollers varies with conditions. WeedRoller warranty is only valid up to a roller length of 35ft. Added tubes may require a special permit for use. Please consult your state and local regulations.



2.4 INSTALLING THE FLEX COUPLER

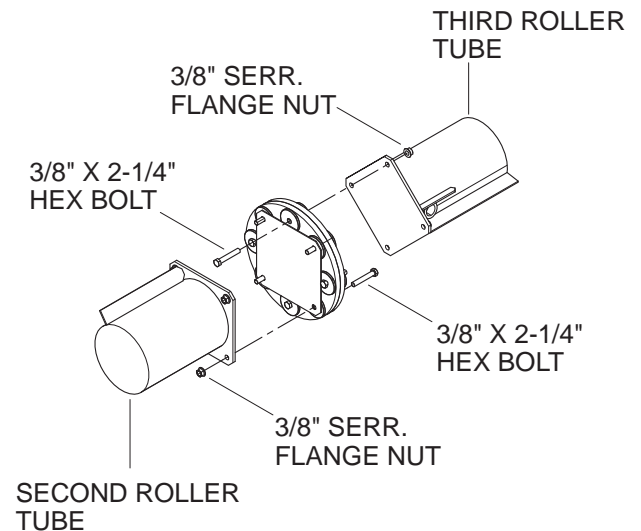
NOTE

The flex coupler can be used between any two rollers and allows the rollers to accommodate the contour of the lake bottom. If your lake bottom drops off, install the flexible coupler at the point closest to the drop-off. Don't install the flexible coupler if you have a flat lake bottom.

1. Remove the 3/8" nuts from one side of the flex coupler.
2. Align the bolt holes of one roller tube with the bolts in the flex coupler.

Replace the 3/8" nuts to secure the flex coupler to the connected roller tube.

3. Torque to 30 ft-lbs.
4. Repeat steps 1-4 to connect a roller to the opposite side of the flex coupler.



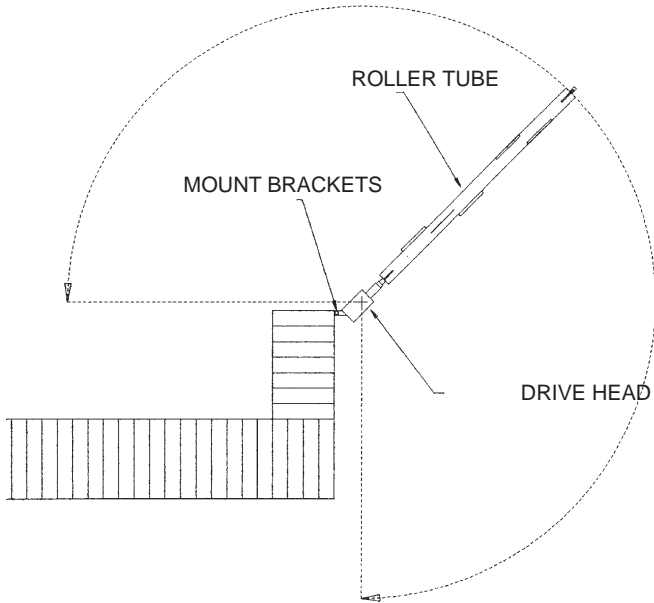
2.5 CHOOSE CORRECT DOCK MOUNT

The WeedRoller can be adjusted to operate with many different mountings and roller arc degrees, depending on:

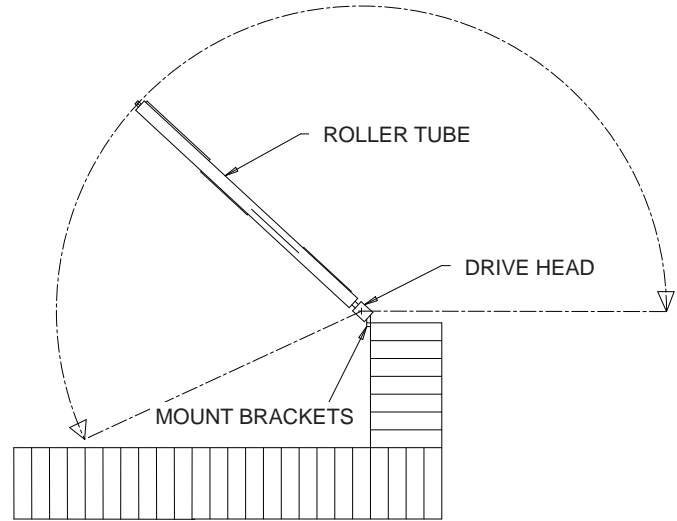
1. The mount bracket position on your dock.
2. The switch arm adjustments. The switch arms easily adjust to set the direction and arc of the rollers.

Choose the dock mounting location and roller arc that best suit your site from the four following examples.

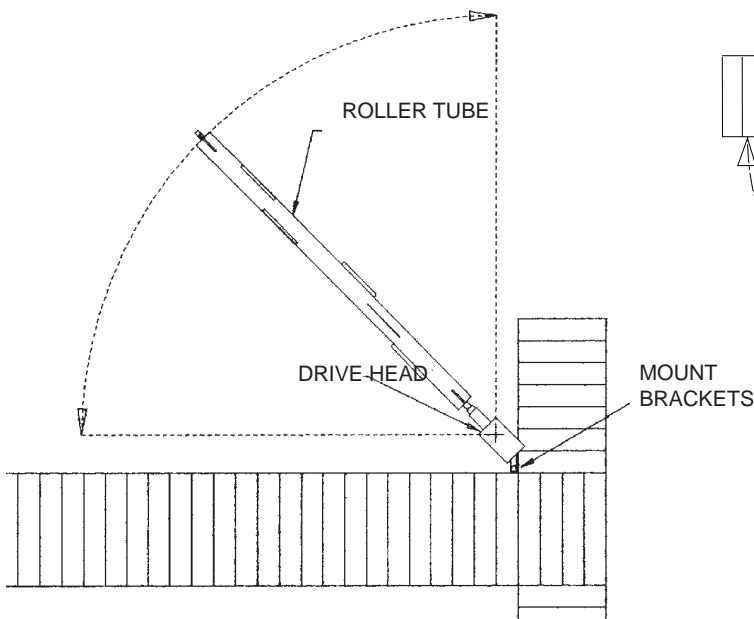
2.6.1 MOUNTING ON THE OUTSIDE CORNER OF A DOCK WITH A 270 DEGREE ROLLER ARC



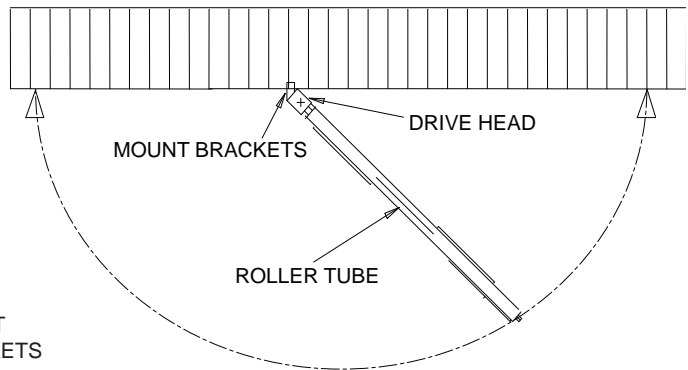
2.6.3 MOUNTING ON AN OUTSIDE CORNER DOCK WITH A ROLLER ARC UP TO 270 DEGREES



2.6.2 MOUNTING ON AN INSIDE CORNER DOCK WITH A 90 DEGREE ROLLER ARC



2.6.4 MOUNTING ON THE SIDE OF A DOCK WITH A 180 DEGREE ROLLER ARC

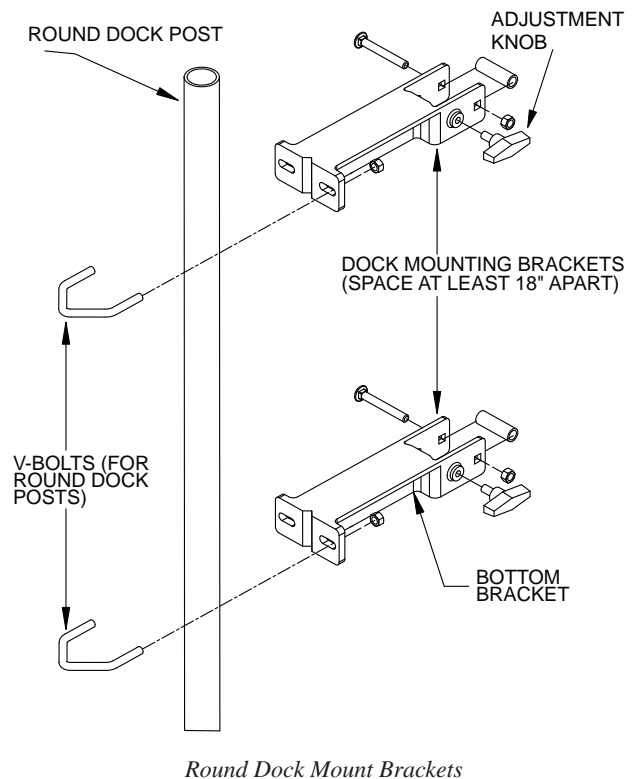
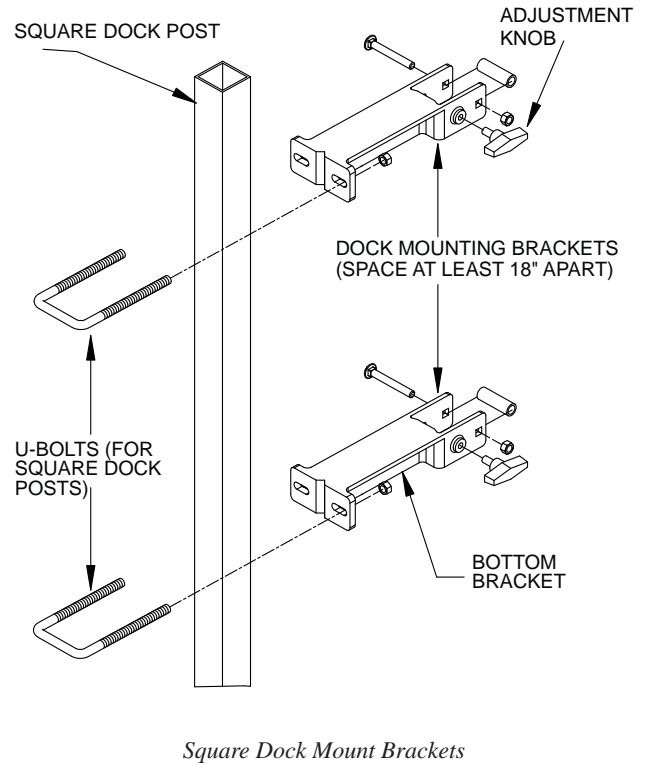
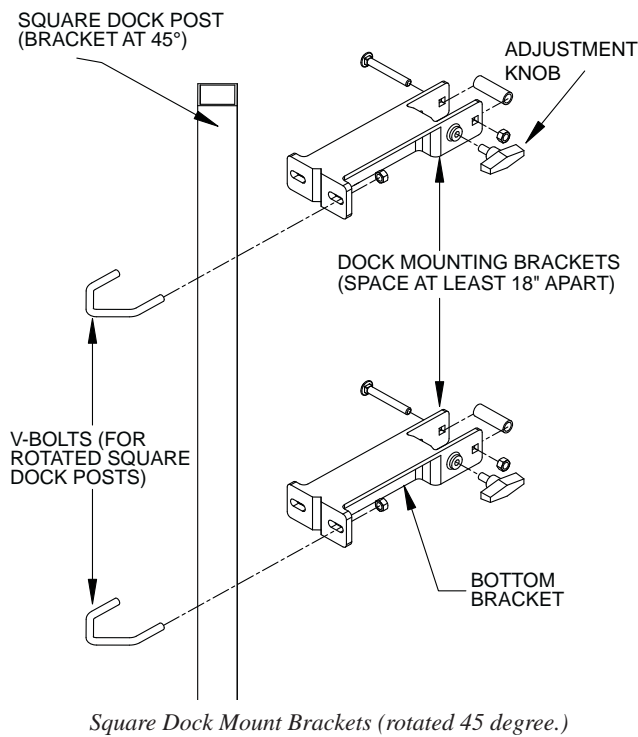


2.6 ATTACH DOCK MOUNT BRACKETS

1. Attach a dock mount bracket to the dock post with either a V-bolt or U-bolt. Use U-bolts when mounting straight off a square dock post. Use V-bolts for docks with round posts or to achieve a 45 degree mount angle off a square post. Secure the bolt with flange nuts (see the following examples).
2. Position the remaining bracket at least 18" above the bottom bracket, insert the V- or U-bolt, and secure with flange nuts. Torque hardware to 30 ft-lbs.

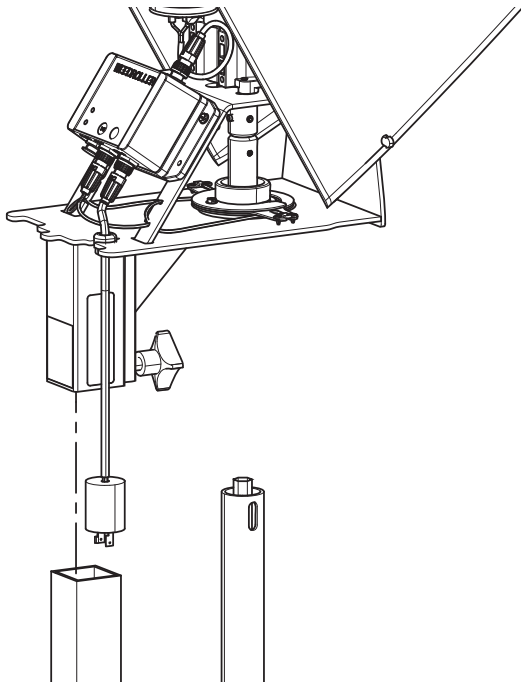
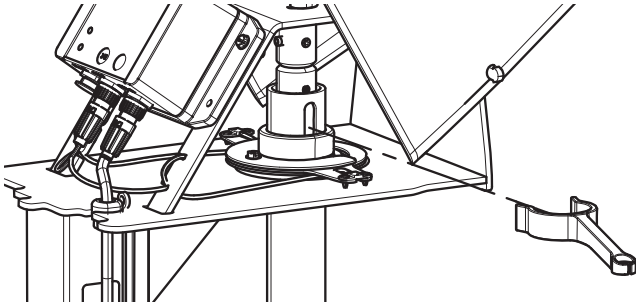
NOTE

Position the two dock mount brackets at least 18" apart. For increased stability, place the brackets even farther apart.



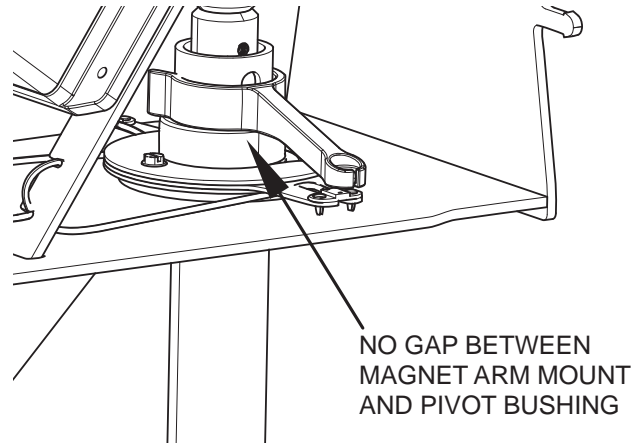
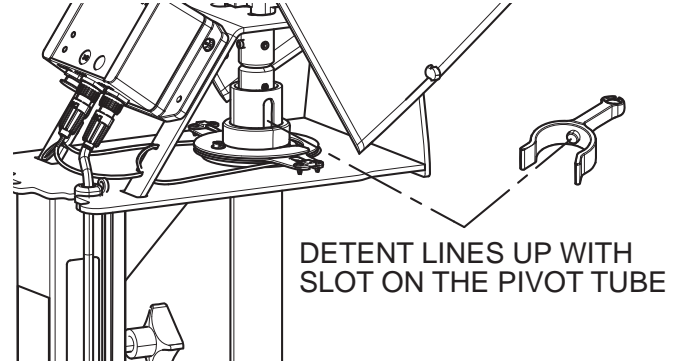
2.7 REMOVING THE DRIVEHEAD

1. Remove the magnet arm mount by pulling it off the pivot tube.
2. Loosen the knob located below the head unit.
3. Lift the WeedRoller head unit off of the base unit.



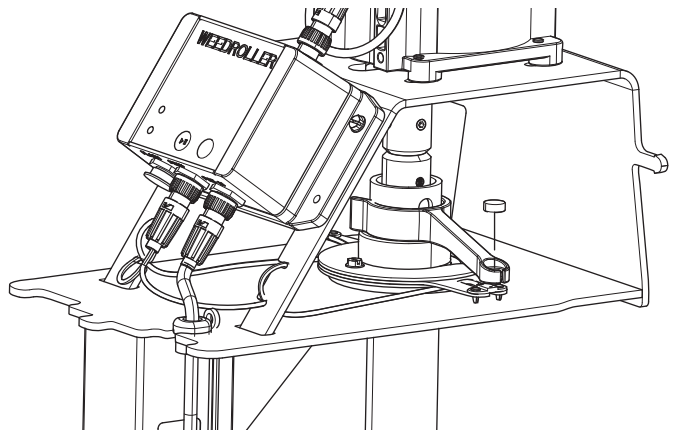
2.8 REINSTALLING THE DRIVEHEAD (CONT.)

4. Slide the magnet arm mount down so it is in contact with the pivot bushing. This will set the magnet at the proper gap distance from the sensors.



2.9 MAGNET REPLACEMENT

The WeedRoller Pro uses a Rare-Earth type magnet and should never weaken. If for some reason the magnet needs replacement be sure to install it with the south pole facing down. The south pole will be the side that has an indication mark.

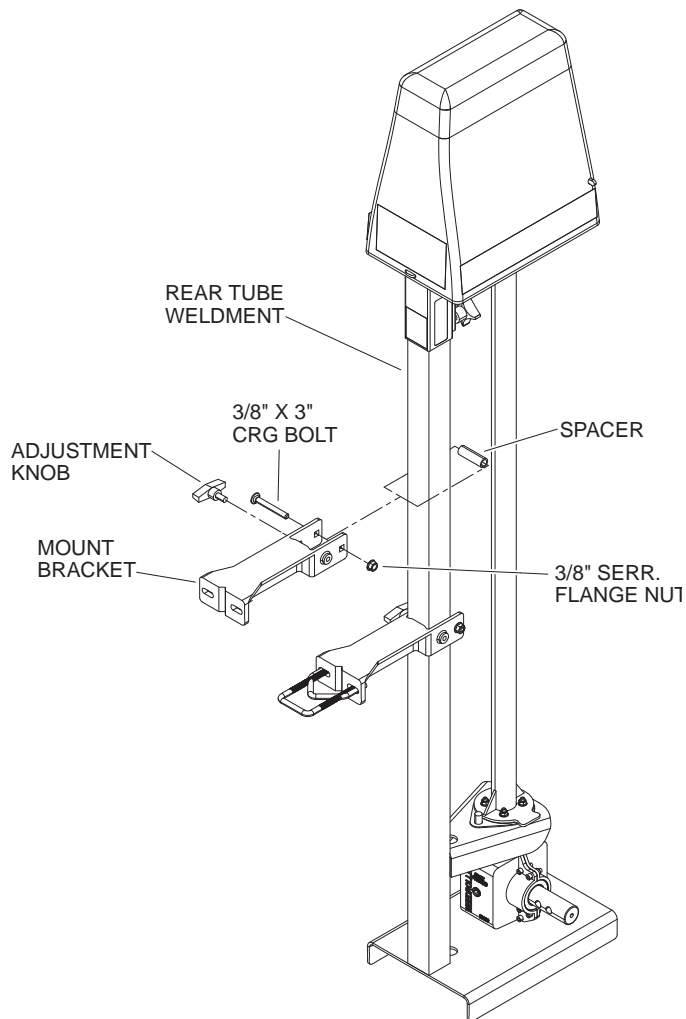


2.8 REINSTALLING THE DRIVEHEAD

1. Slide the head unit mount sleeve back on to the base unit. Turning of the lower gearbox output shaft may be necessary to rotate and realign the hex shaft into the motor coupler.
2. Tighten the knob below the head unit.
3. Snap the magnet arm mount back on to the pivot tube. Make sure the alignment detent positions itself within the slot on the pivot tube.

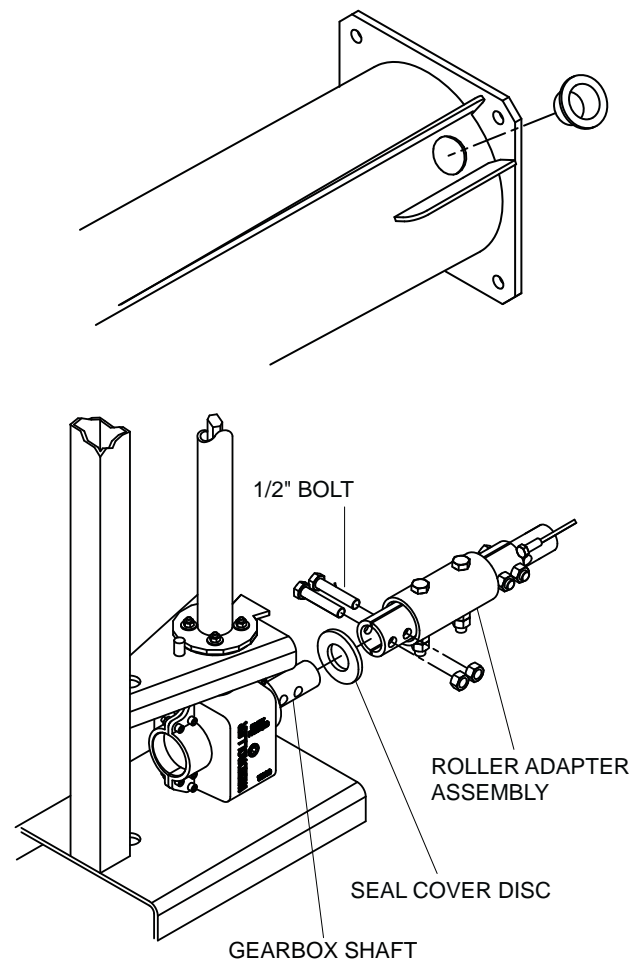
2.10 ATTACH DRIVE HEAD TO THE DOCK

1. Place the rear tube weldment of the drive head into the dock mounting brackets.
2. Place a spacer between the spacer holes in one of the brackets.
3. Insert a 3/8 x 3" carriage bolt through the bolt holes and spacer. Add washer and nut to secure bolt.
4. Repeat this step for the remaining bracket.
5. Slide the drive head up to bring the gearbox close to the surface and lock it in place with the adjustment knobs.



2.11 ATTACH ROLLERS

1. Temporarily remove the two yellow plugs from each roller and re-install them when the roller has filled with the desired water level. The water level within the roller will determine the buoyancy of the rollers. Extreme lake bottom conditions may require some air in the rollers to keep the rollers from getting stuck.
2. Slide seal cover disk onto gearbox shaft.
3. Align the gearbox shaft bolt holes with the bolt holes in the roller adapter.
4. Install 1/2" bolts, washers, and nuts provided in the hardware kit.
5. Torque to 75 ft-lbs.
6. Press down on the rollers to submerge them in water.
7. After the rollers become filled with water, push the plugs back into their holes.
8. Loosen the adjustment knobs and let the WeedRoller slide down in the brackets to touch the lake bottom.



2.12 CONNECT DRIVE HEAD TO POWER



WARNING



Use extreme caution when working around water and electricity. Be sure to read and understand all warning decals and instructions.

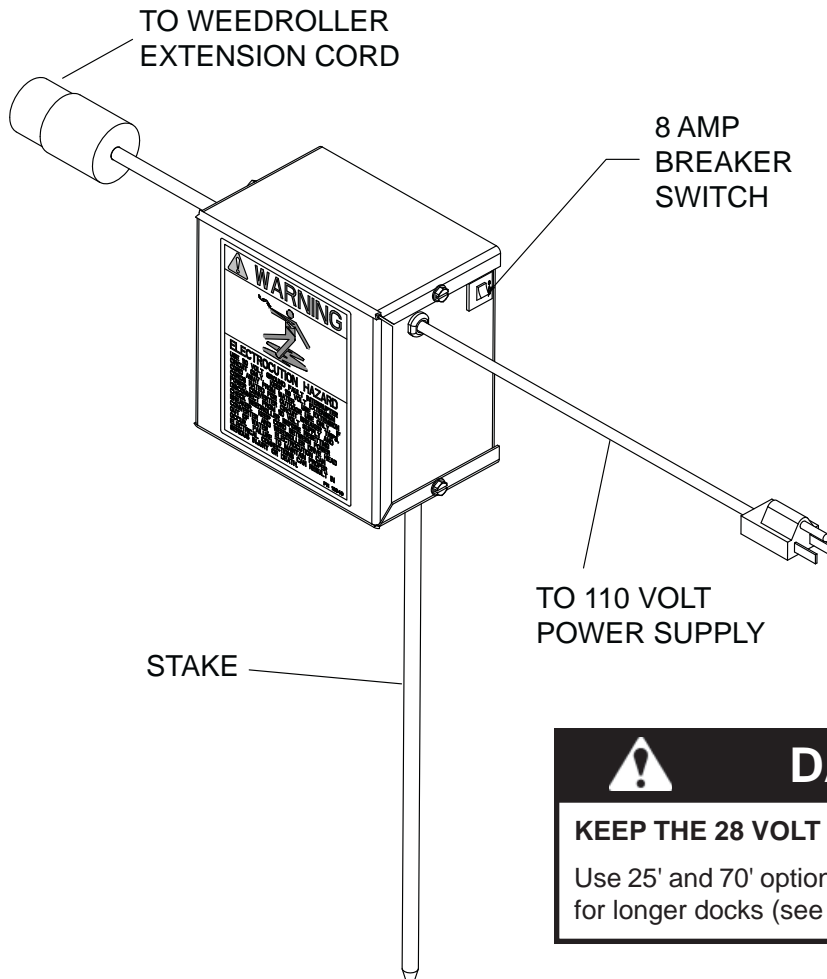


CAUTION



Use a 110 volt ground fault interrupter circuit only. Keep the 110 volt extension cord away from water. Use extension cords rated for outdoor use only. Disconnect WeedRoller from 110 volt supply and check it before resetting the breaker if the circuit breaker trips. Keep the 28 volt power cord out of the water.

1. Insert the power supply stake into dry land (either your beach or yard).
2. Attach the 70 foot power supply cord to the connector on the power supply.
3. Route the power supply cord along your dock frame or fasten it underneath (so it doesn't get stepped on or fall into the water).
4. Connect the female end of the power supply cord to the male connector on the control top box. No other wiring is needed for the control top assembly.
5. Check your 110 volt outlet with a GFI receptacle tester.
6. Connect a 110 volt outdoor extension cord (at least 14 gauge) to the power supply. Make sure to keep all 110 volt cords away from the water.
7. Make sure the rollers are clear from obstructions so they can turn freely.



DANGER



KEEP THE 28 VOLT CORD OUT OF THE WATER!

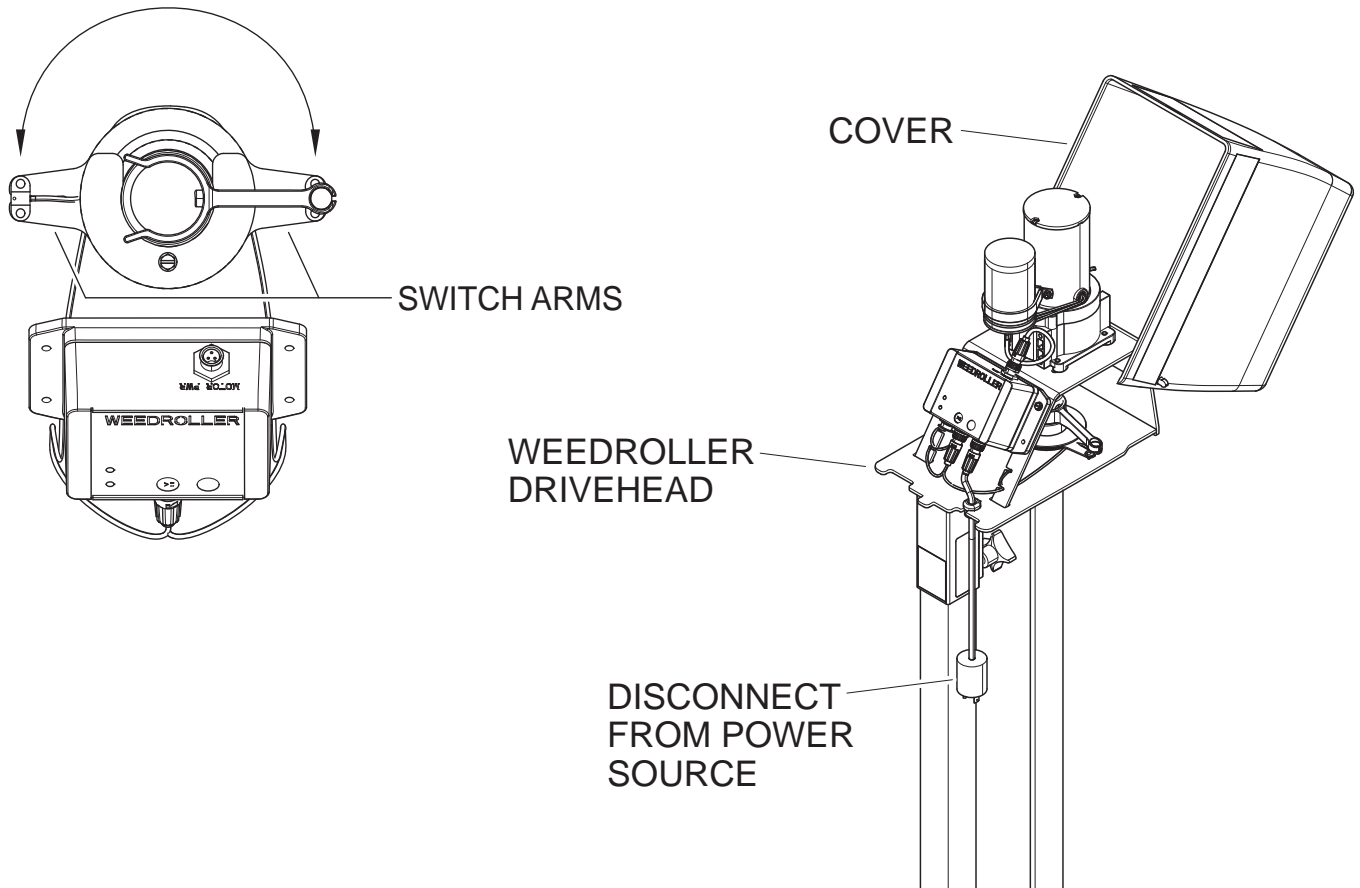
Use 25' and 70' optional power supply extension cords for longer docks (see parts section for part numbers).

2.13 ADJUST THE SWITCH ARMS

The WeedRoller motor rotates the magnet mount on the pivot tube between the two switch arms. The degrees of roller tube arc is determined by the arc between the adjustable switch arms. The maximum travel arc of the roller tubes is 270 degrees. The magnet should be adjusted right or left to achieve the desired arc. See Sec. 2.2 for more information on roller tube arcs.

1. Disconnect the extension cord from the plug on the drivehead.
2. Lift the cover on top of the drive head.
3. Adjust the switch arms to the desired WeedRoller arc.
4. Make sure sensor wires are clear of any moving parts after adjusting.
5. Position the magnet mount bracket between the switch arms.
6. The magnet mount bracket should be positioned so it is in contact with the pivot tube bushing. This will set the gap between the magnet and proximity sensors at 1/4". This gap should not exceed 3/8".
7. Close cover
8. Connect the extension cord to the plug on the drivehead.
9. Watch the roller tubes. If the rollers do not rotate within the desired arc, re-adjust the switch arms to the desired WeedRoller arc.
10. Rollers should not operate within 12" of fixed objects.
11. The WeedRoller is now ready to operate.

WEEDROLLER ARC



3 Section


OPERATION

3.1 INITIAL OPERATION

Check the WeedRoller frequently to make sure it is not blocked by debris (branches, rocks, or stumps) when using it for the first time, or anytime it is moved to a new location. Inspect it often until it can move freely over the lake bottom.

- Operate the WeedRoller continuously (when waterfront is not otherwise in use) for initial clearing until area is cleared. Clearing can take from one day to one week.
- Run the WeedRoller often enough to keep the area clear of weeds after it is initially cleared. Typically operation is 10 hours once every week. Time varies with conditions.
- Gather and dispose dislodged weeds to prevent them from floating away and spreading.
- Typical operation hours are 400-500 per season to clear and maintain the selected area.

NOTE

If the roller tubes are about to rotate into a fixed object, you can press the reverse  button to reverse them.

3.2 CONTROLLER


The controller is designed for varying conditions. It automatically reverses the motor when the amperage exceeds a set limit. The initial setting from the factory is 4.5 amp.

The controller tracks the amperage draw for 10 cycles (sweeps) and resets the maximum amperage automatically based on the conditions.


For example, when the WeedRoller is first used, the initial setting is 4.5 amps. If the controller records 3.5 amps as the highest draw during the 10 cycles, it resets the maximum draw setting from 4.5 amps to 3.6 amps (.1 amp above the peak current of 3.5 amps.) The controller now will reverse the WeedRoller tubes if the motor draws 3.6 amps or more.

The controller will continue to monitor the amperage draw and reset the maximum amperage draw each 10 cycles.





3.3 CONTROLLER - POWER-UP

When applied power, the controller turns the Status led green for three seconds while it reads its internal storage. Then the controller zeros the Obstacle Count, Motor Cycles counters, Overload, Recoil and Locked Rotor faults. Active Limit is loaded with Overload limit's value. Peak Current is zeroed. The controller will flash the Status led orange once per 100 hours of operation. During this time pressing the Start  button will bypass this display and start the motor. If not started the motor will check the sensors; if it detects a sensor it will set itself into Park at that sensor, otherwise it will not indicate a Park Position and will remain off and last sensor will be set to none.




3.4 CONTROLLER - START FUNCTION

Once the Start  button is pressed the motor will move towards the left sensor, unless parked left. If the motor was previously run then the Start key will resume the last commanded direction. Once the motor is running the Status led will light solid green. If a fault is found it will be displayed as described in section 3.9. In this mode the motor will run from sensor to sensor until stopped by a fault or pressing the Start key again.


3.5 CONTROLLER - PARK/PAUSE FUNCTION

With the motor running, pressing of the Start  button selects Left Park. The Left led will light and the motor will continue until it reaches the left sensor, at which time it will stop and the Status led will go out and the controller will switch to Pause mode. Pressing the Start  button again while the motor is still running selects Right Park. The Right led will light and the motor will continue until it reaches the right sensor, at which time it will stop and the Status led will go out and the controller enters Pause mode. Pressing the Start  button again during Right Park selects Pause. The motor stops immediately and all LEDs go out. To start the motor again press the Start  button.

3.6 CONTROLLER - AUTO CYCLE

If the Start  button is held for more than 3 seconds an Auto Cycle is selected. The controller automatically selects Left Park. Pressing the Start  button again after Auto Cycle begins will select Right Park. Pressing the Start  button again during Right Park selects Pause. The motor stops immediately and all LEDs go out. In the Auto Cycle mode the motor will run for 12 hours and then Park at the selected side when the Auto Cycle time is completed.

3.7 CONTROLLER - REVERSE


If the Reverse  button is pressed the motor immediately stops and starts in the other direction.

3.8 CONTROLLER - RESET

The controller needs to be reset when adjusting switch arms or after moving the WeedRoller.

See Sec. 3.10 for more information on operating the WeedRoller under abnormal conditions. Check for stuck rollers tubes or obstructions before resetting the controller.

To reset the controller:

- Press and hold the Reverse  button until the Status led flashes green. This will make the Smart Switch clear all faults, zero the counters and variable protection perimeters are reset to their initial values. Motor operation is not affected.

3.9 CONTROLLER - PROTECTION CIRCUITRY INDICATOR

The controller monitors the WeedRoller operation and will reverse it or turn it off automatically if the tubes are obstructed or if the motor malfunctions. Information is communicated to the owner through the indicator light. Refer to chart below for the controller's LED meanings.

DISPLAY	MEANING	REMEDY
Status LED Continuous GREEN	Power On	N/A
Status LED Flashing GREEN (1/Sec)	Overload	Check for / remove obstruction and reset controller.
Status LED Flashing GREEN (4/Sec)	Motor Circuit Open	Check connections or Repair/replace motor.
Status LED Flashing RED (1/Sec)	Motor Stall	Check for / remove obstruction, check for motor locked up and reset controller.
Status LED Flashing RED (4/Sec)	Motor Circuit Shorted	Repair or replace motor.
Status LED Continuous ORANGE	Motor Overheat	Motor should restart within 1 hr.
Status LED Continuous RED	Motor Overheat	3 overheat faults have occurred within 24 hours. Contact Cray Service Dept.
Status LED Flashing ORANGE	Hours of operation, One flash 100 hours of operation.	N/A
Status LED Alternating GREEN & RED (1/Sec)	Left sensor error	Replace Sensor Assembly.
Status LED Alternating GREEN & RED (1 every 3 Sec)	Right sensor error	Replace Sensor Assembly.
Status LED Flashing GREEN (1/3 Sec)	Power Supply Under Voltage	Insufficient cord size, cord too long or repair/replace transformer.
Status LED Flashing RED (1/3 Sec)	Power Supply Over Voltage	Repair or replace transformer.
L & R Flash GREEN (1/Sec) simultaneously	Cycle Timeout	Check for / remove obstruction, or refer to troubleshooting chart for more information.

NOTE

ORANGE is a combination of RED & GREEN LED's illuminated at the same time.

NOTE

Refer to troubleshooting chart for more details.

3.10 OPERATING IN MUDDY CONDITIONS

The WeedRoller can get stuck in extremely muddy or weedy conditions. Try one or more of the following procedures until the WeedRoller completes an arc without getting stuck.

- Start with only one roller attached to the unit and add rollers as the lake bottom conditions improve.
- Decrease roller arc to 50 degrees. Extend the arc in 50 degree increments when the roller begins to move freely.
- Remove roller tube caps. Drain water as necessary from roller tubes to increase flotation. Replace caps.
- Install a Crary Mud kit. Order the Mud Kit (PN 51320) for moderately muddy conditions. Order Plastic Pipe Kit (PN 51134) for extremely muddy conditions.

3.11 ADJUSTING BRACKETS TO CONDITIONS

The WeedRoller dock mounting brackets can be adjusted in a variety of different ways to help deal with muddy or uneven lake bottoms.

- For very weedy or mucky conditions, raise the drive head assembly so its base is a few inches above the lake bottom, then tighten the adjustment knobs. This raises the roller tubes slightly to make it easier for the tubes to clear weeds and muck.
- Leave the adjustment knobs off if the lake bottom is uneven, or covered with small rocks or branches. This allows the drive head assembly to slide up and down freely on the rear post weldment and enables the roller tubes to conform to slight variances in the lake bottom. Clear as many rocks and branches as possible from the lake bottom before using WeedRoller.

4.1 TRIPPED CIRCUIT BREAKER

The power converter has an 8 amp circuit breaker on the 28 volt AC side.

1. Disconnect the power converter from the 110 volt supply and inspect before resetting the breaker.
2. Clear weeds and/or obstructions from the rollers or arc before restarting.

NOTE

Blowing a fuse or tripping the circuit breaker is a warning that you have overloaded the circuit. Determine the cause and correct it.

4.2 OFF-SEASON STORAGE

- The WeedRoller can be left in the lake year round if the lake does not freeze over. Remove the WeedRoller and store it over the winter if the lake freezes over.
- If you have a roll-away dock, the complete Weed Roller unit can be stored with it. Raise the dock to lift the drive head assembly off the ground and fasten each roller assembly to the dock for easy storage. Cover the control top with a plastic bag or cover to protect it from outdoor conditions. Be sure to completely drain water from rollers before storage.
- The unit can be disassembled into four separate sections: the drive head assembly and three individual rollers. Be sure to drain water from rollers before storing.

NOTE

Be sure to drain the water from the rollers before storage if freezing is possible.

4.3 LOAD REVERSE

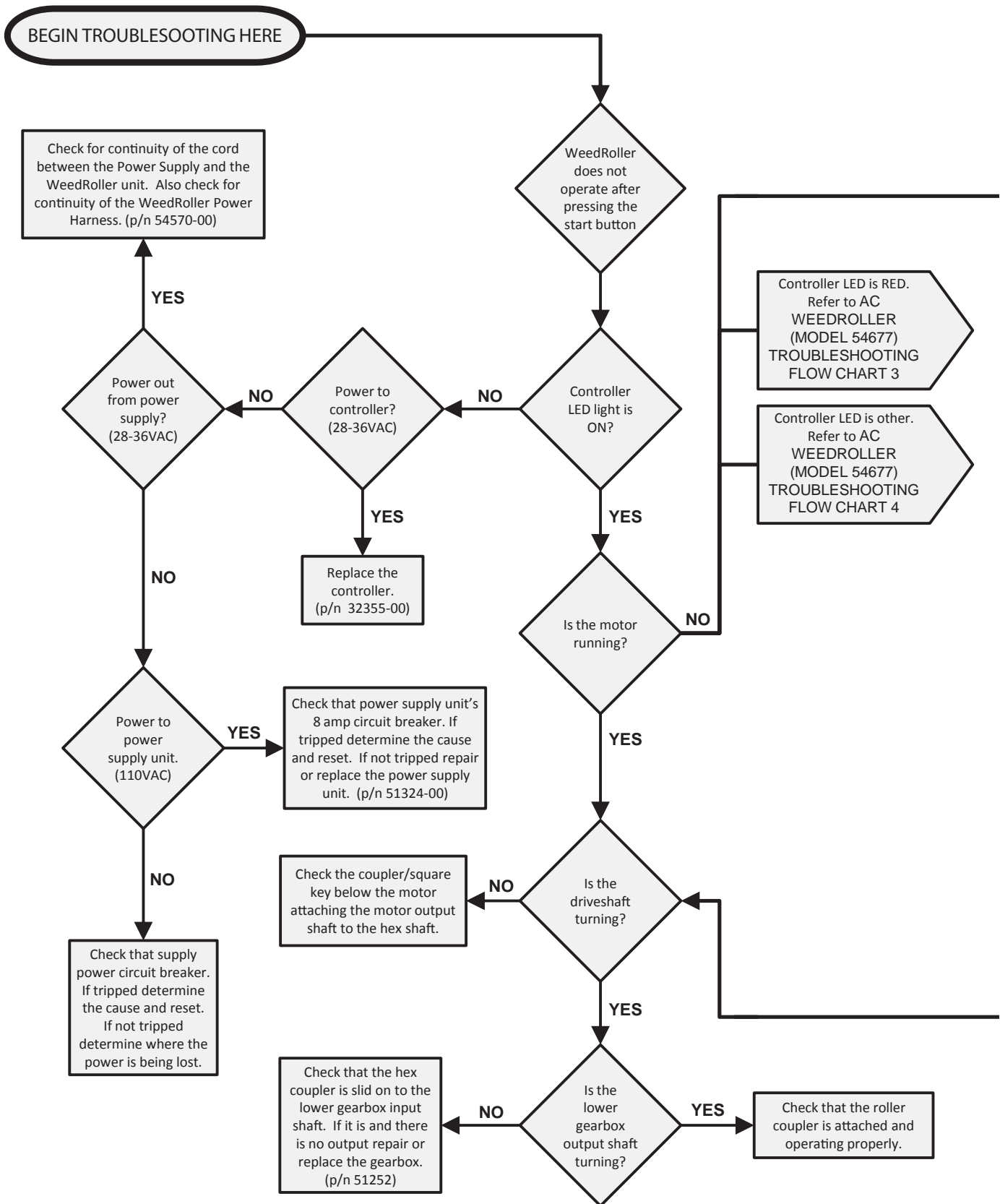
The controller tracks the amp draw for 10 cycles (sweeps) and resets the maximum amp draw (used to reverse the motor caused by an overload condition) automatically based on the conditions.

For example: the initial setting is 4.5 (maximum) amp draw when the WeedRoller is first used. The controller records a 3.5 amp draw (highest amp draw during 10 cycles) and resets the maximum amp draw setting from 4.5 amp draw to 3.6 amps. The controller now reverses the WeedRoller tubes if the motor draws 3.6 amps or more.

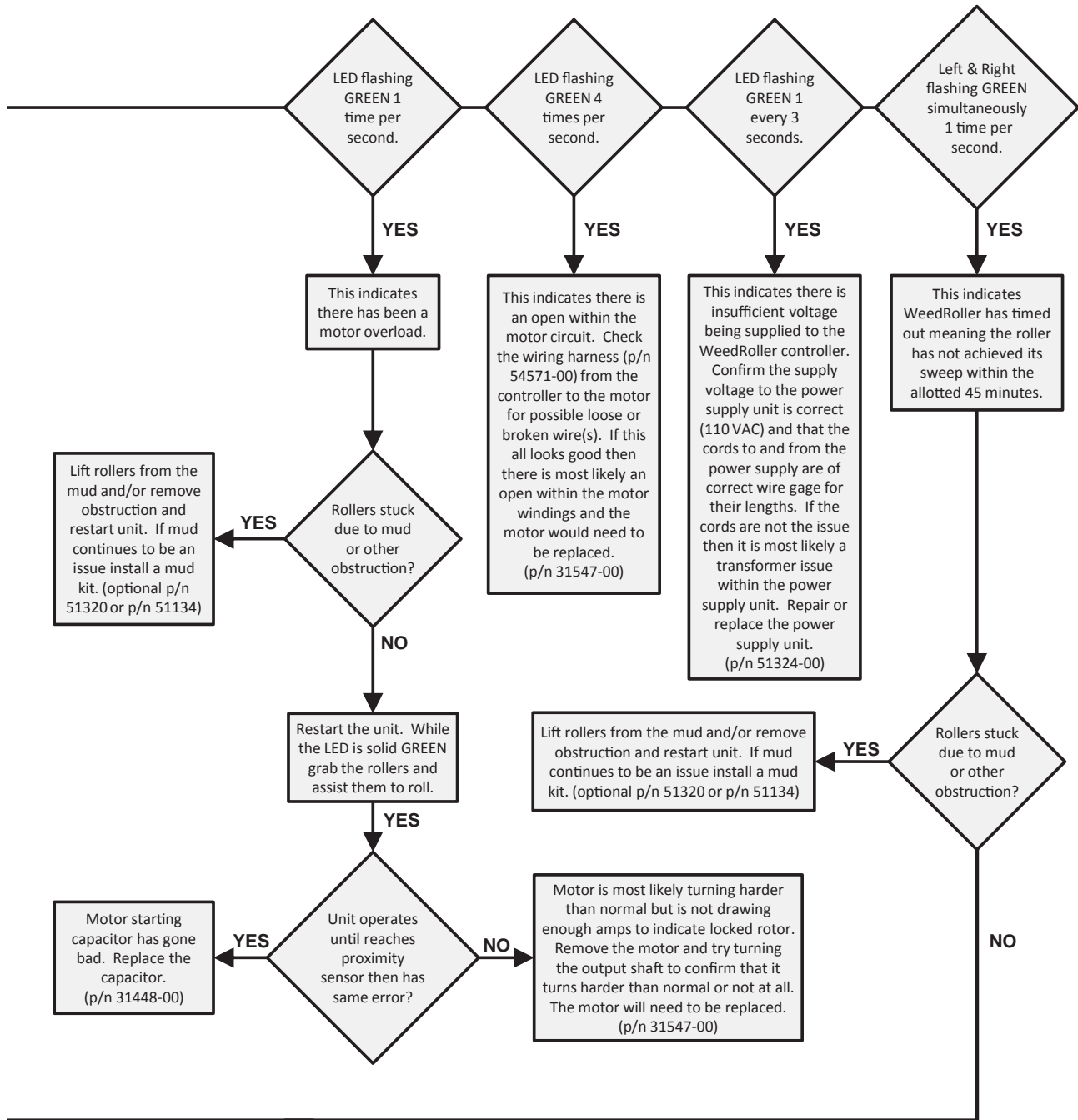
4.4 AC WEEDROLLER SERVICE RECORDS

MAINTENANCE	DATE						
	SERVICED BY						
BEFORE RE-INSTALLATION (SHAFT DRIVE)							
CHECK GEARBOX GREASE (REPLACE ANNUALLY)							
CHECK PLASTIC SANDWICH PACK							
CHECK MOTOR AND GEARBOX FOR OIL LEAKS							
CHECK CONTROLLER							
RUN UNIT IN BOTH DIRECTIONS							
CHECK WIRE HARNESSSES							
CHECK ROLLER TUBES FOR WEAR							
CHECK TUBE COUPLERS							

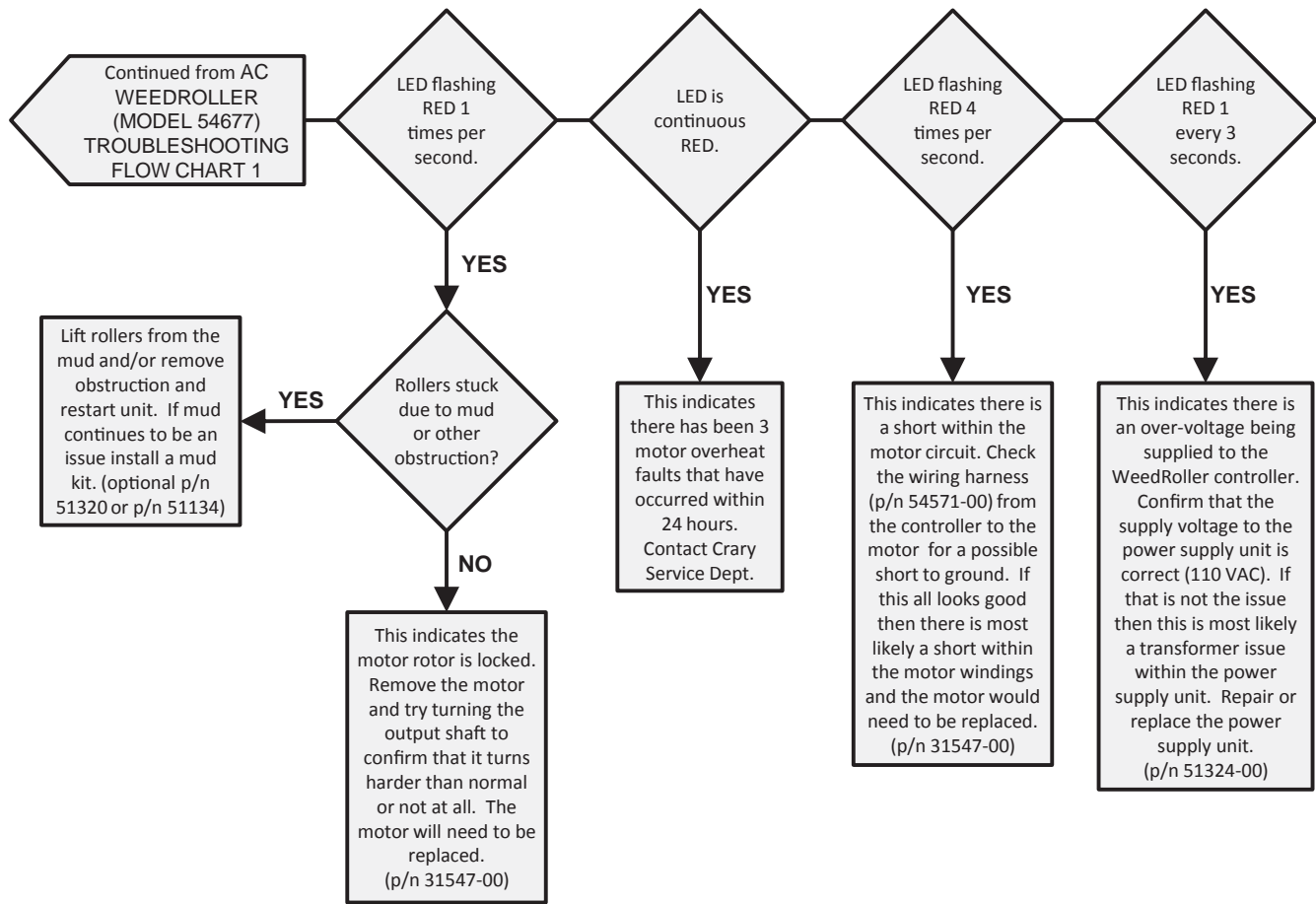
4.5 AC WEEDROLLER TROUBLESHOOTING FLOW CHART 1



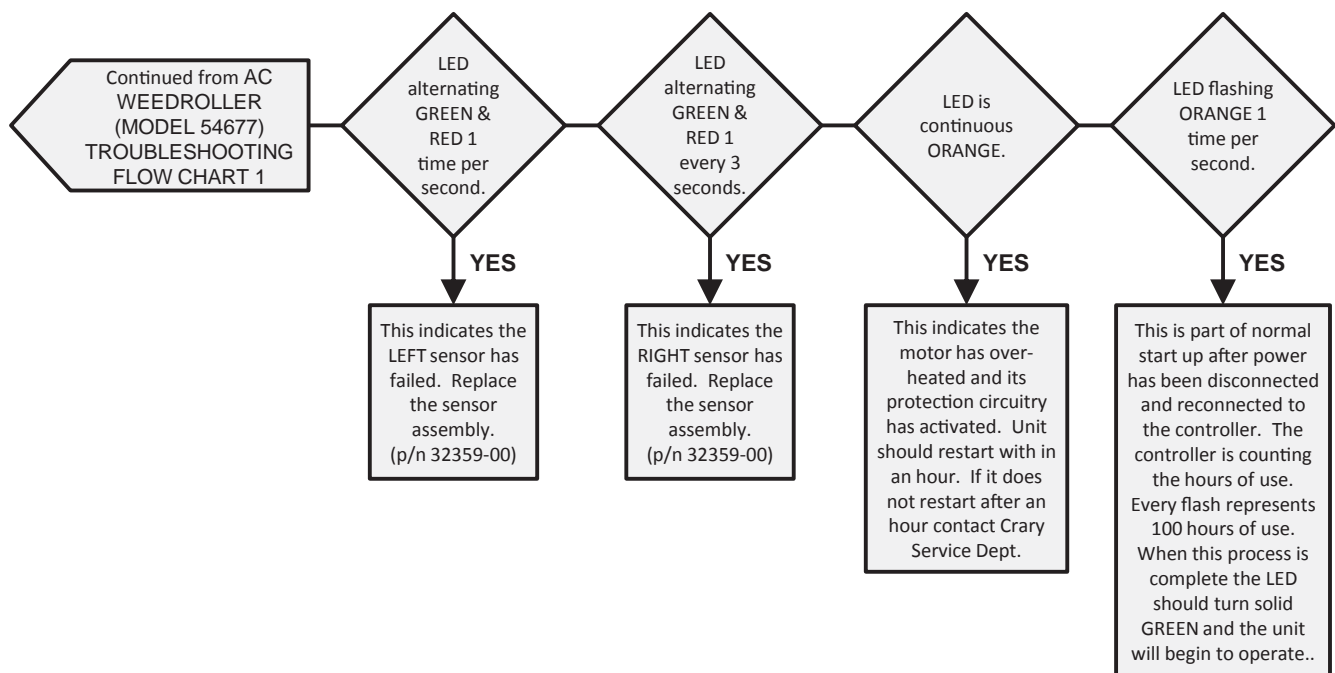
4.5 AC WEEDROLLER TROUBLESHOOTING FLOW CHART 1



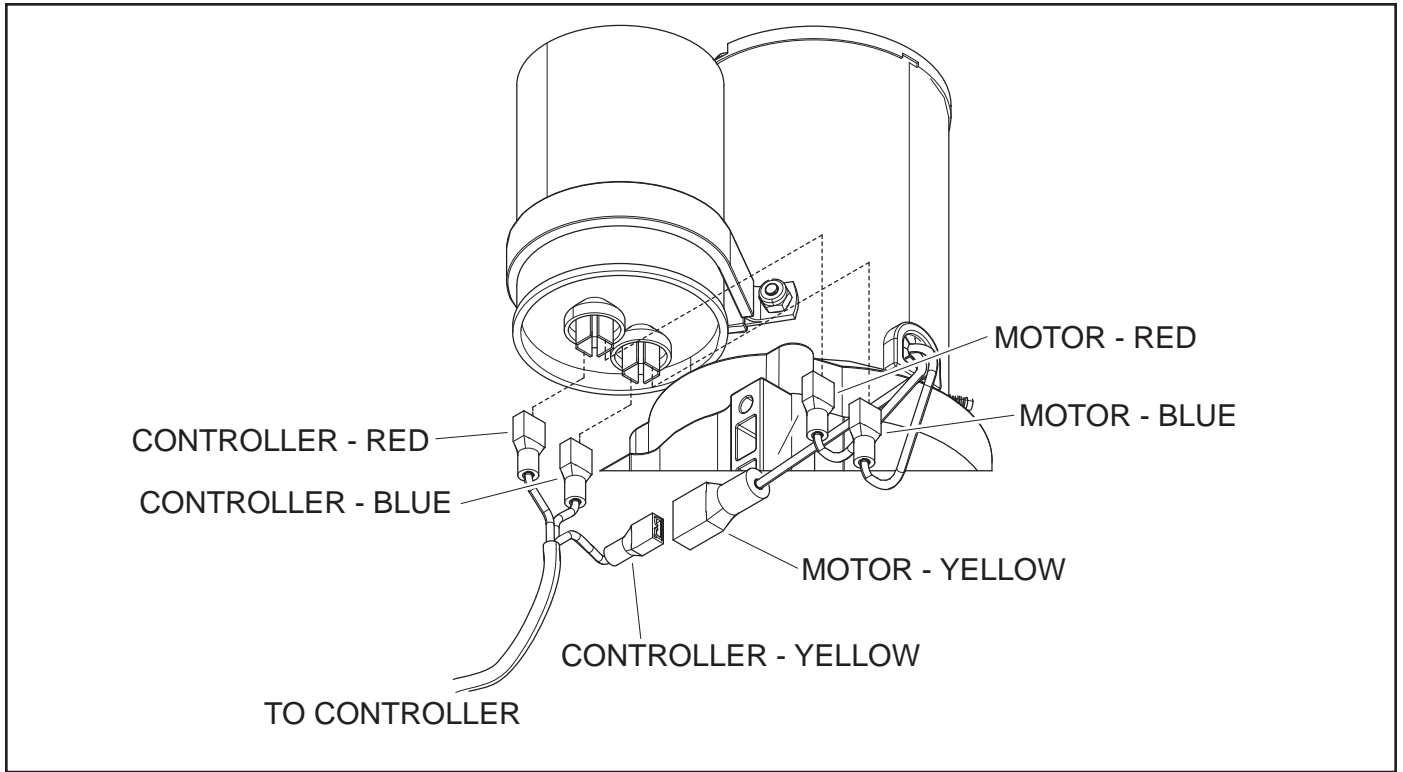
4.6 AC WEEDROLLER TROUBLESHOOTING FLOW CHART 2



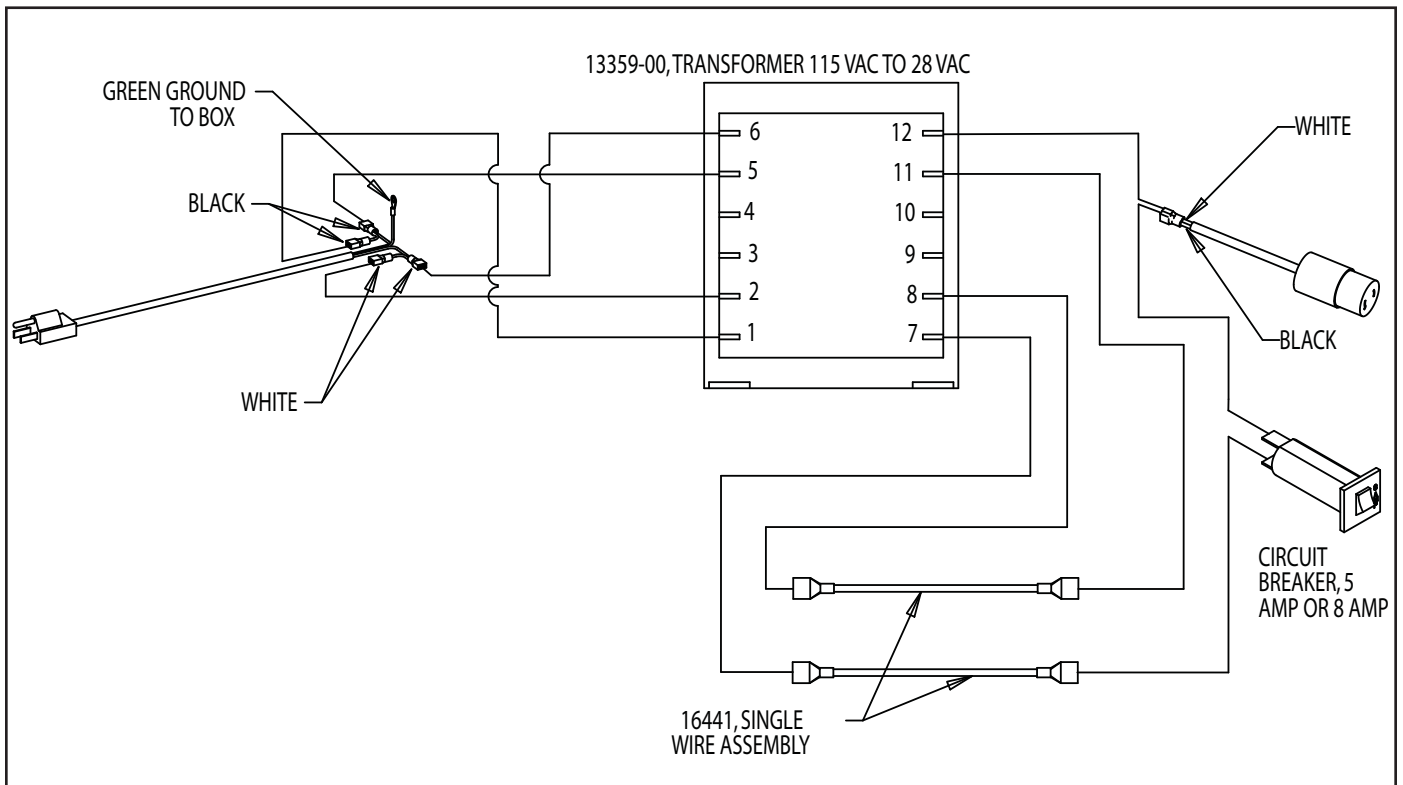
4.7 AC WEEDROLLER TROUBLESHOOTING FLOW CHART 3



4.8 AC WEEDROLLER WIRING DIAGRAM



WEEDROLLER 8 AMP ELECTRICAL SCHEMATIC, AC

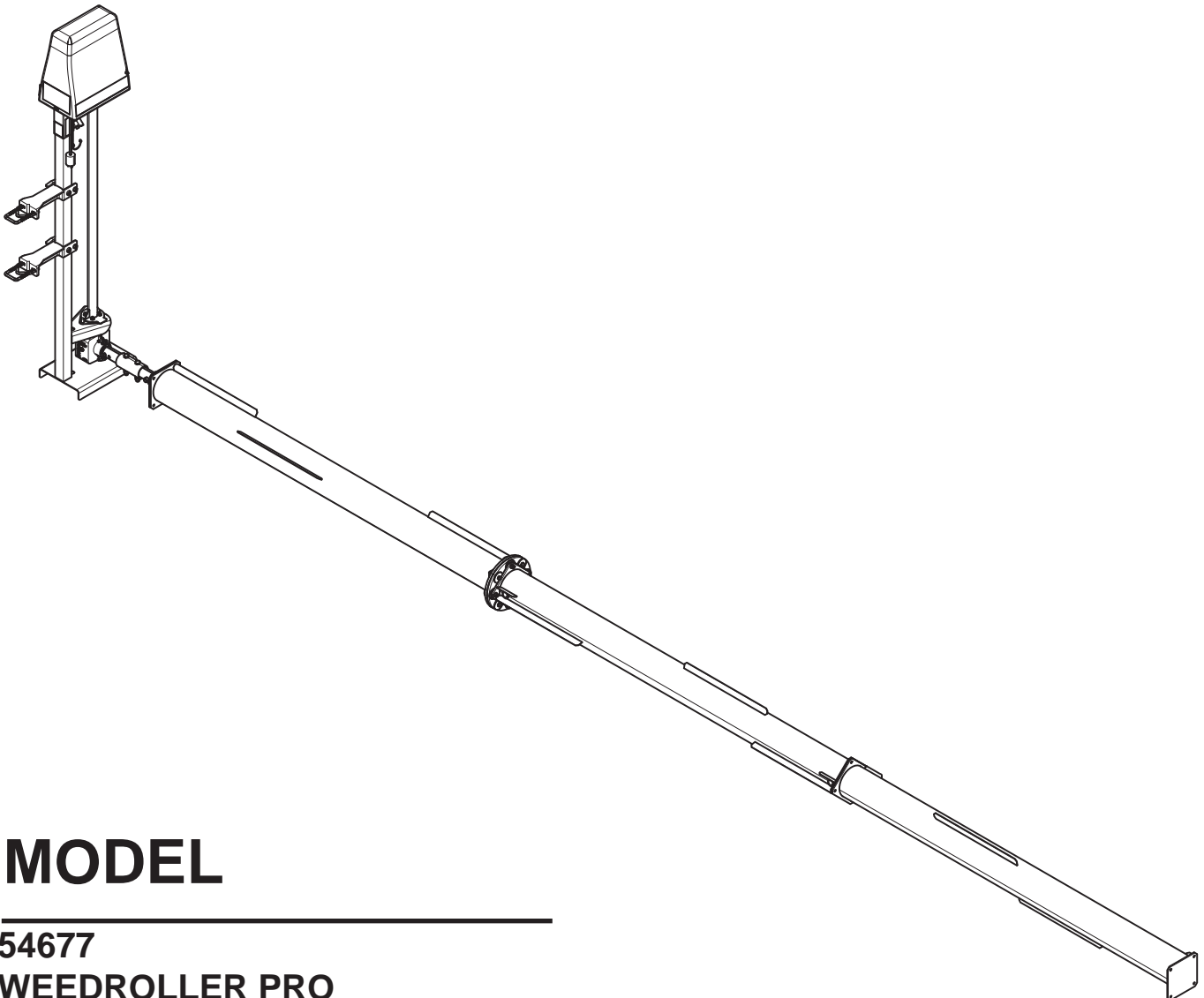


CRARY

WeedRoller[®] PRO

PARTS CATALOG

WEEDROLLER PRO



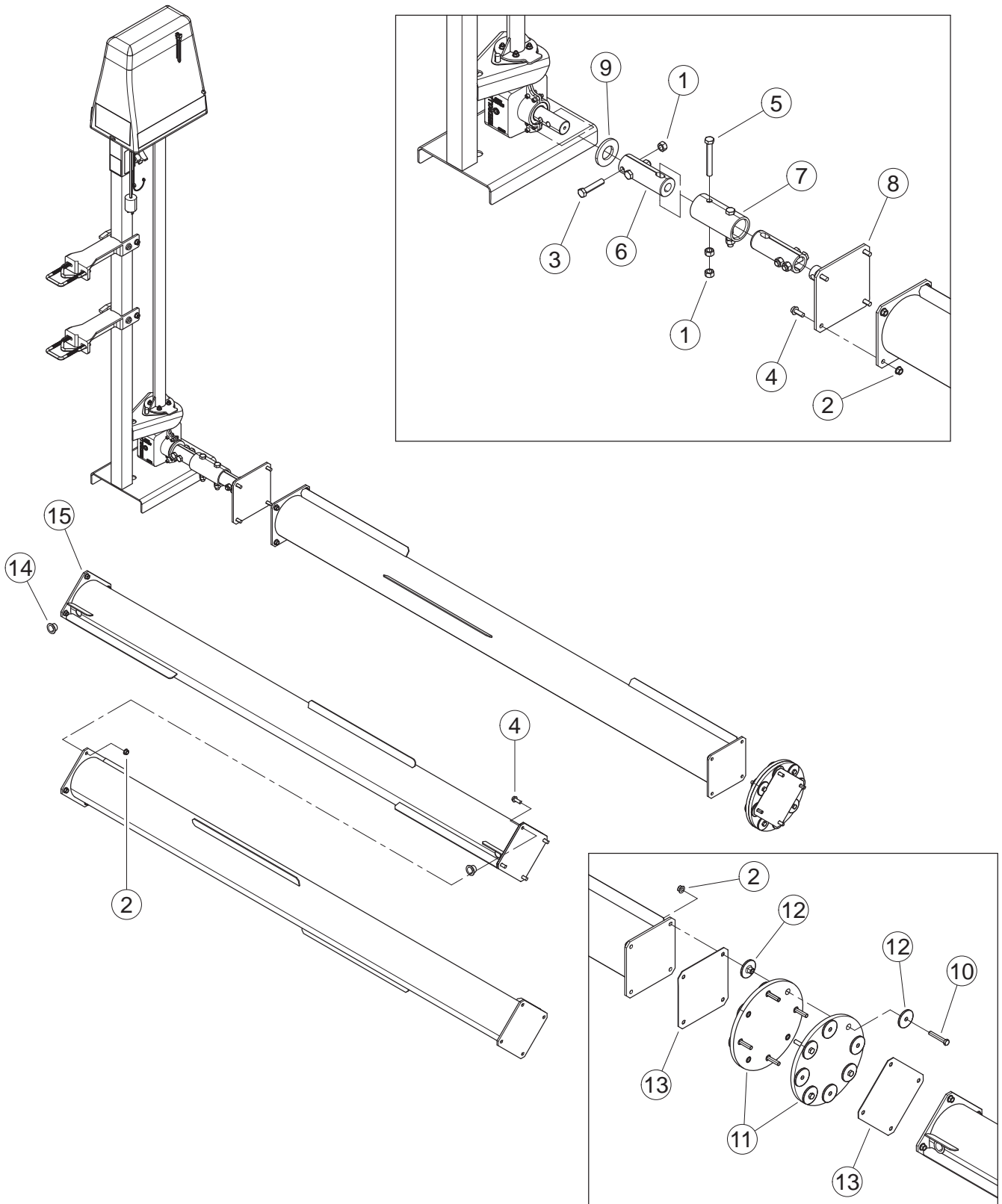
MODEL

54677
WEEDROLLER PRO

TABLE OF CONTENTS

DESCRIPTION	PAGE
15 INCH DOCK BRACKET KIT (OPTION).....	44
70' EXTENSION CORD	33
AC WEEDROLLER	24
AC WEEDROLLER BASE.....	26
AC WEEDROLLER CONTROL TOP.....	28
AC WEEDROLLER POWER SUPPLY	32
ADDITIONAL 7 FOOT ROLLER WITH FLEX COUPLER (OPTION).....	39
DECALS	46
DOCK MOUNTING HARDWARE KIT (OPTION)	43
EXTENSION CORDS (OPTION).....	42
FLEX COUPLER REPLACEMENT (OPTION)	38
GEARBOX, RIGHT ANGLE 2.3:1.....	30
KIT, MOTOR REPLACEMENT (OPTION).....	41
MUD KIT (OPTION).....	36
PLASTIC PIPE MUD KIT (OPTION)	37
ROLLER ADAPTER	34
SIDE POST MOUNTING KIT (OPTION)	45
TRIPOD MOUNTING KIT (OPTION).....	40
WEEDROLLER TALL EXTENSION KIT (DEEP WATER EXTENSION) (OPTION)	35

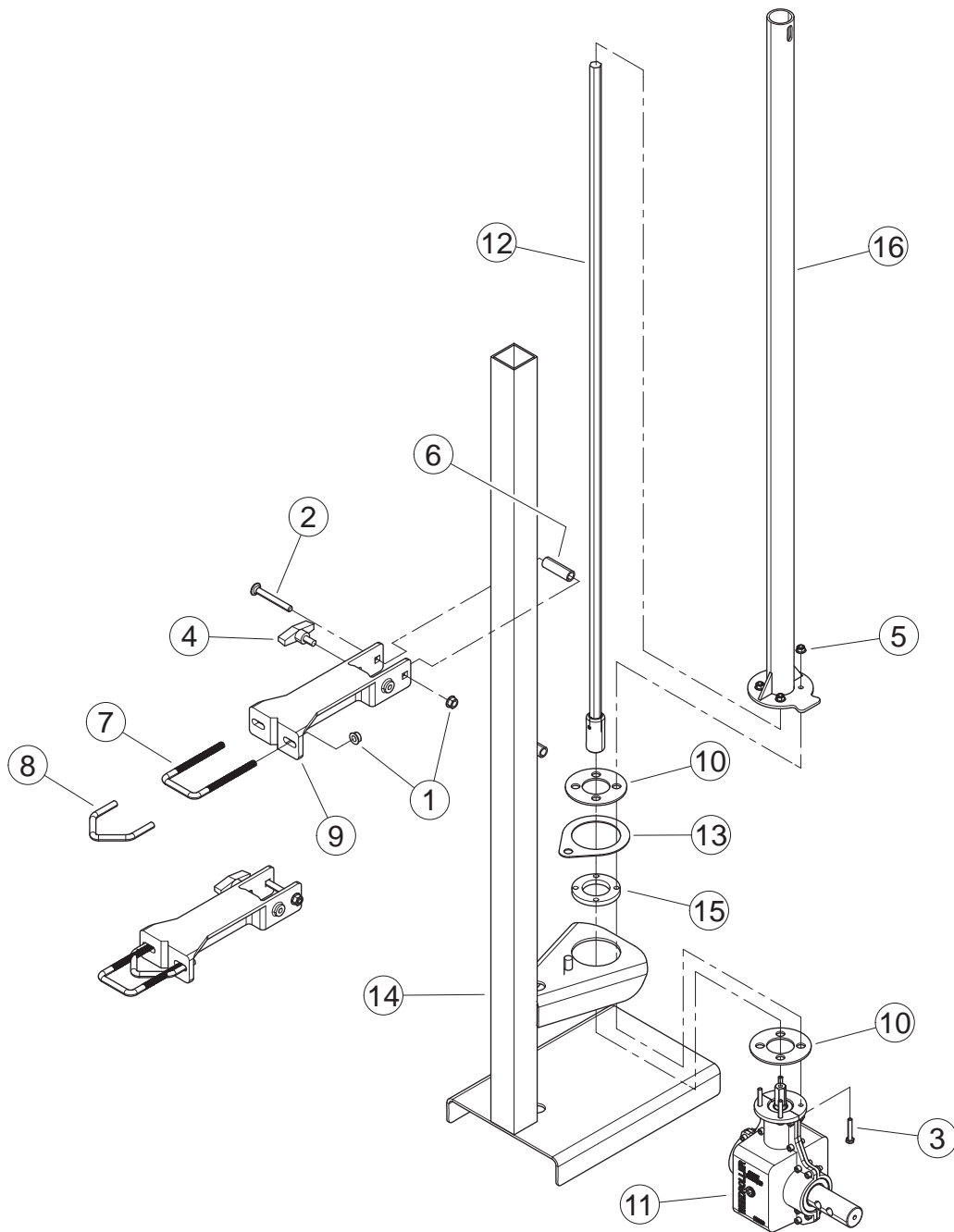
AC WEEDROLLER



AC WEEDROLLER

WEEDROLLER BASE (54677)			
ITEM	PART NUMBER	DESCRIPTION	QTY.
1	15043	NUT, 1/2 HEX NC ZP	8
2	15051	NUT, 3/8 SERR FLANGE NC ZP	8
3	15092	BOLT, 1/2 X 2-1/2 HEX GR5 ZP	4
4	15382	BOLT, 3/8 X 1 SERR FLANGE GR5 NC ZP	8
5	15549	BOLT, 1/2 X 3-3/4 HEX GR5 NC ZP	2
6	51059	WEEDROLLER BUSHING	2
7	51060	WEEDROLLER COUPLER	1
8	51213	WELDMENT, STEEL ADAPTER	1
9	51283	DISK, SEAL COVER	1
	51288	ASSEMBLY, FLEX COUPLER (INCLUDES ITEMS 2 & 10 - 13)	1
10	0103-0711-00	BOLT, 3/8 X 2-1/4 HEX GR5 ZP	8
2	15051	NUT, 3/8 SERR FLANGE NC ZP	8
11	51154	BELTING, FLEX COUPLER	2
12	51163	BUSHING, FLEX COUPLER	16
13	51164	PLATE, WEAR FLEX COUPLER	2
	51291	ASSEMBLY, 7' ROLLER (INCLUDES ITEMS 14 & 15)	3
14	16580	PLUG, 1" TUBE	2
15	51290	WELDMENT, 7' ROLLER	1

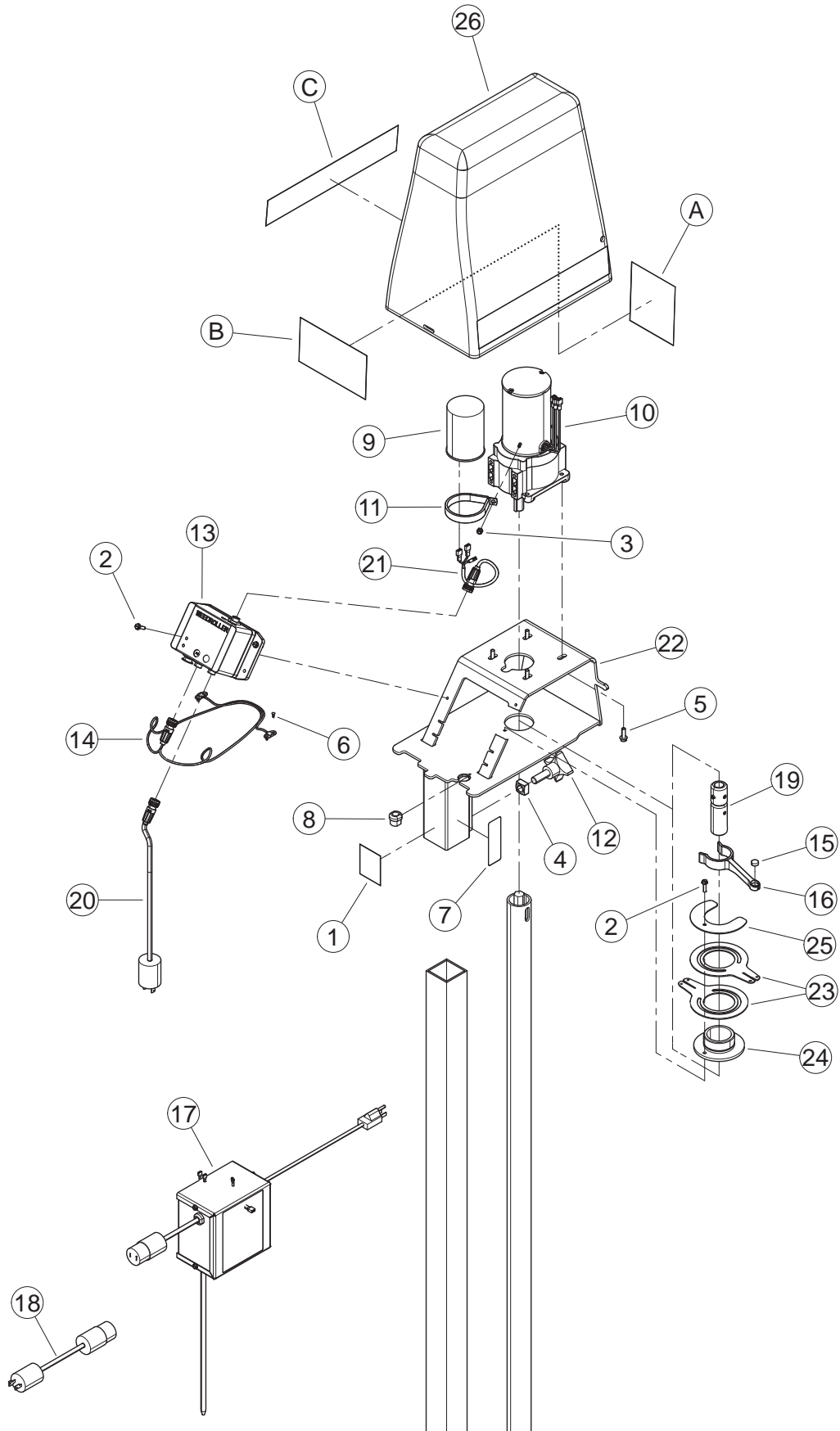
AC WEEDROLLER BASE



AC WEEDROLLER BASE

WEEDROLLER BASE (54575-00)			
ITEM	PART NUMBER	DESCRIPTION	QTY.
1	15051	NUT, 3/8 SERR FLANGE NC ZP	6
2	15100	BOLT, 3/8 X 3 CRG GR5 NC ZP	2
3	15342	BOLT, 1/4 X 1-1/2 HEX GR5 ZP	4
4	15524	KNOB, 3/8 X 3/4 STUD	2
5	15900-00	NUT, 1/4-20 NYLOCK-FLANGE	4
6	51174	SPACER, DOCK MOUNT	2
7	51175	U-BOLT, 2-3/8 X 5 RECT ZP	2
8	51180	V-BOLT, DOCK MOUNT ZP	2
9	51191	BRACKET, DOCK MOUNT	2
10	51249	DISC, SANDWICH PACK	2
11	51252	GEARBOX, RIGHT ANGLE 2.3:1 (PAGE 31)	1
12	51274	WELDMENT, 5/8 HEX SHAFT	1
13	51344-00	PLATE, DRIVEHEAD WEAR	1
14	54579-00	WELDMENT, BASE	1
15	54586-00	PLATE, DISC-PIVOT	1
16	54591-00	WELDMENT, TUBE-PIVOT	1

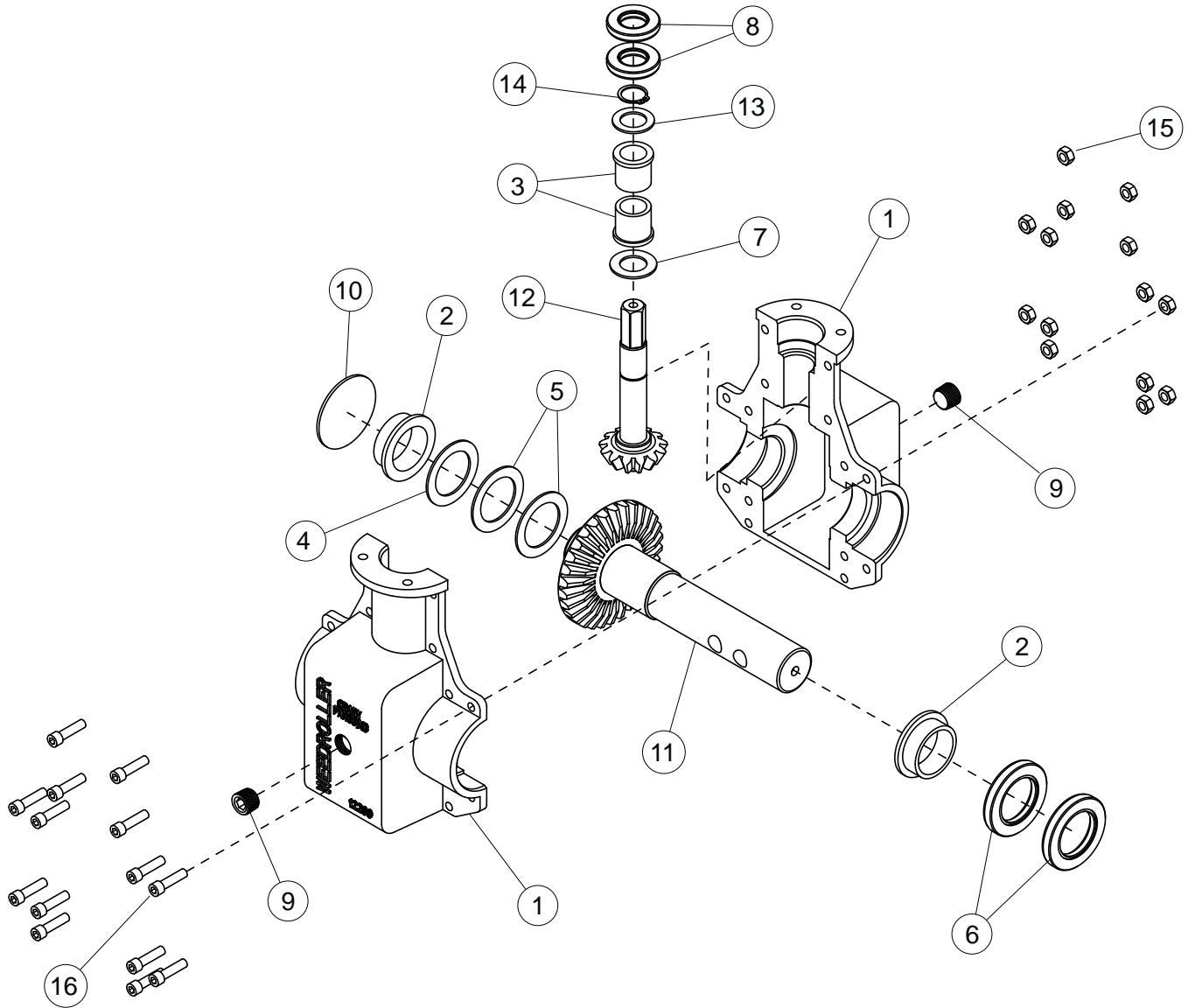
AC WEEDROLLER CONTROL TOP



AC WEEDROLLER CONTROL TOP

WEEDROLLER CONTROL TOP (54574-00)			
ITEM	PART NUMBER	DESCRIPTION	QTY.
1	12611	DECAL, CAUTION WATER LEVEL	1
2	15225	SCREW, #10 X 3/4 HEX TAP SC	3
3	15255	NUT, 8-32 NYLOCK	1
4	15898-00	NUT, 1/2-13 SQR ZP	1
5	15901-00	SCREW, 1/4-28 X .75 HF ZP	4
6	15906-00	RIVET, PLASTIC PUSH	4
7	16155	DECAL, SERIAL NUMBER	1
8	16380	BUSHING, 16-3 STRAIN RELIEF	1
9	31448-00	CAPACITOR, 175 MFD	1
10	31547-00	MOTOR, 28 VAC BISON GEAR	1
11	32261-00	CLAMP, 2 1/2 X 1/2 COATED	1
12	32348-00	KNOB, 1/2-13 X 1.38 4-PRONG	1
13	32355-00	ASSEMBLY, SMARTSWITCH 28VAC	1
14	32359-00	ASSEMBLY, HARNESS SENSOR	1
15	32455-00	MAGNET, 0.5 X 0.19 NEODYMIUM	1
16	32457-00	MOUNT, MAGNET ARM	1
17	51324-00	ASSEMBLY, AC WR POWER SUPPLY (PAGE 32)	1
18	51327-00	ASSEMBLY, 70' EXTENSION CORD(AC WR) (PAGE 33)	1
19	51340-12	ASSEMBLY, 5/8 COUPLER WELDMENT	1
20	54570-00	ASSEMBLY, HARNESS WR-POWER	1
21	54571-00	ASSEMBLY, HARNESS WR-MOTOR	1
22	54584-00	WELDMENT, HEAD	1
23	54585-00	PLATE, DISC-SENSOR	2
24	54588-00	BUSHING, PIVOT	1
25	54628-00	PLATE, MOON	1
26	54895-00	ASSEMBLY, WR COVER PRO	1
A	16342	DECAL, INSTRUCTIONS WEEDROLLER	1
B	32720-00	DECAL, WEEDROLLER - FRONT	1
C	32721-00	DECAL, WEEDROLLER - SIDE	2
	12530	LANYARD, NYLON (NOT SHOWN)	1
	32917-00	THREADLOCKER, MEDIUM STRENGTH, 50ML (NOT SHOWN)	1

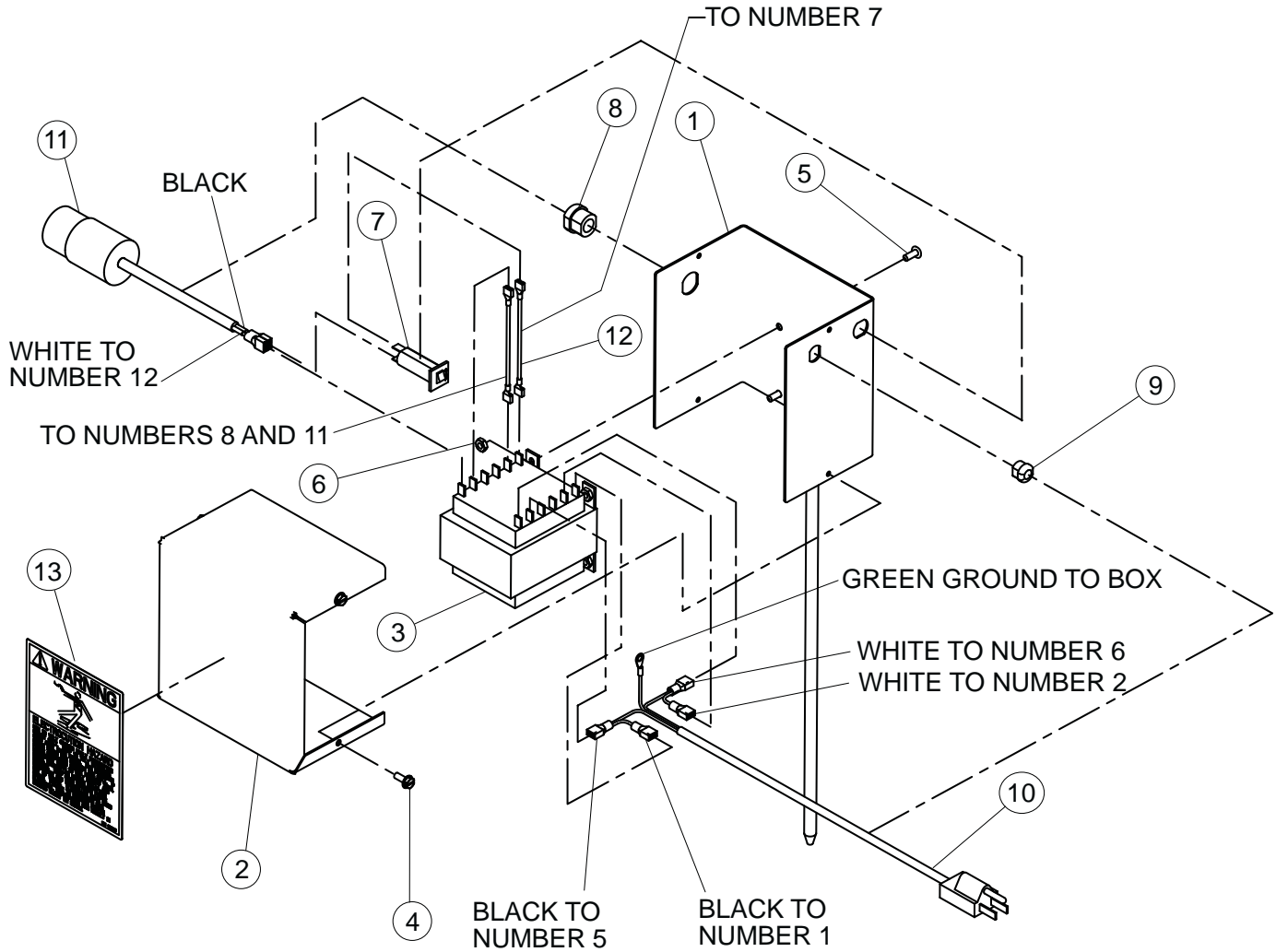
GEARBOX, RIGHT ANGLE 2.3:1



GEARBOX, RIGHT ANGLE 2.3:1

GEARBOX RIGHT ANGLE 2.3:1 (51252)			
ITEM	PART NUMBER	DESCRIPTION	QTY.
1	12269	CASTING WR GEARBOX	2
2	12376	BEARING, 1-3/8 BRONZE BUSHING	2
3	12377	BEARING, 3/4 BRONZE BUSHING	2
4	15585	SHIM, WASHER 1-3/8 X 2 X .02	1
5	15586	SHIM, WASHER 1-3/8 X 2 X .005	2
6	12378	SEAL, 1-3/8 DBL LIP W/GARTER	2
7	15587	THRUST WASHER, 3/4 X 1-5/16 X .062	1
8	12379	SEAL, 3/4 DBL LIP W/GARTER	2
9	12384	PIPE PLUG, 3/8 AMER NATL	2
10	12383	FROST PLUG, 2-1/4 OD	1
11	51253	SHAFT WELDMENT, 1-3/8	1
12	51254	SHAFT WELDMENT, 3/4 INCH	1
13	15593	SHIM, WASHER 3/4 X 1-3/16 X .02	1
14	12381	SNAP-RING, 3/4 EXTERNAL	1
15	15105	NUT, 1/4 HEX	14
16	15242	SOC HD CAP SCREW, 1/4 X 1	14
	12487	GREASE, LUBRIPLATE 5555 1 QUART (NOT SHOWN)	1
	11304	CLEAR SILICON, RUBBER SEALANT 10 OZ. (NOT SHOWN)	AR
	11303	PERMA. LOK, 1.69 OZ. VIAL (NOT SHOWN)	AR

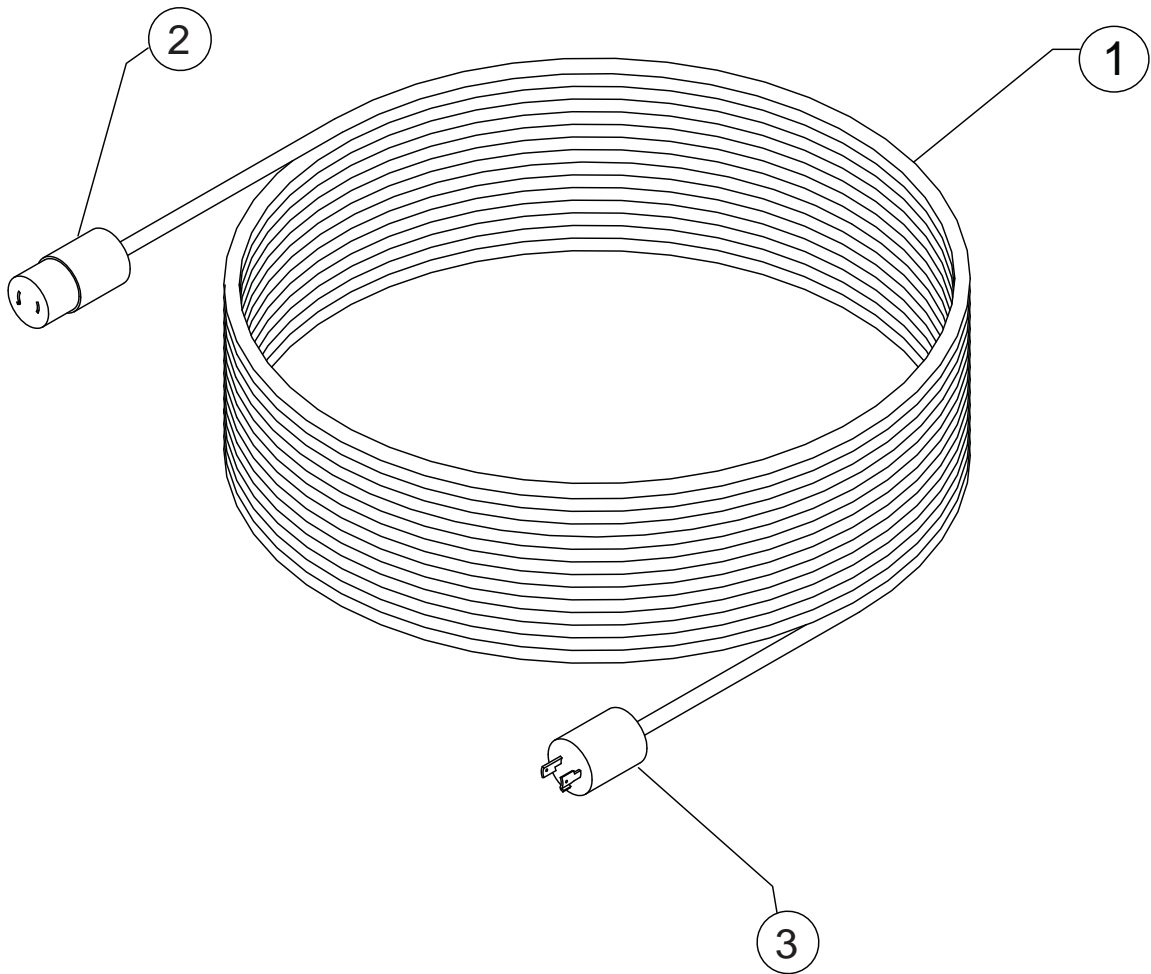
AC WEEDROLLER POWER SUPPLY



ASSEMBLY, AC WEEDROLLER POWER SUPPLY (51324-00)

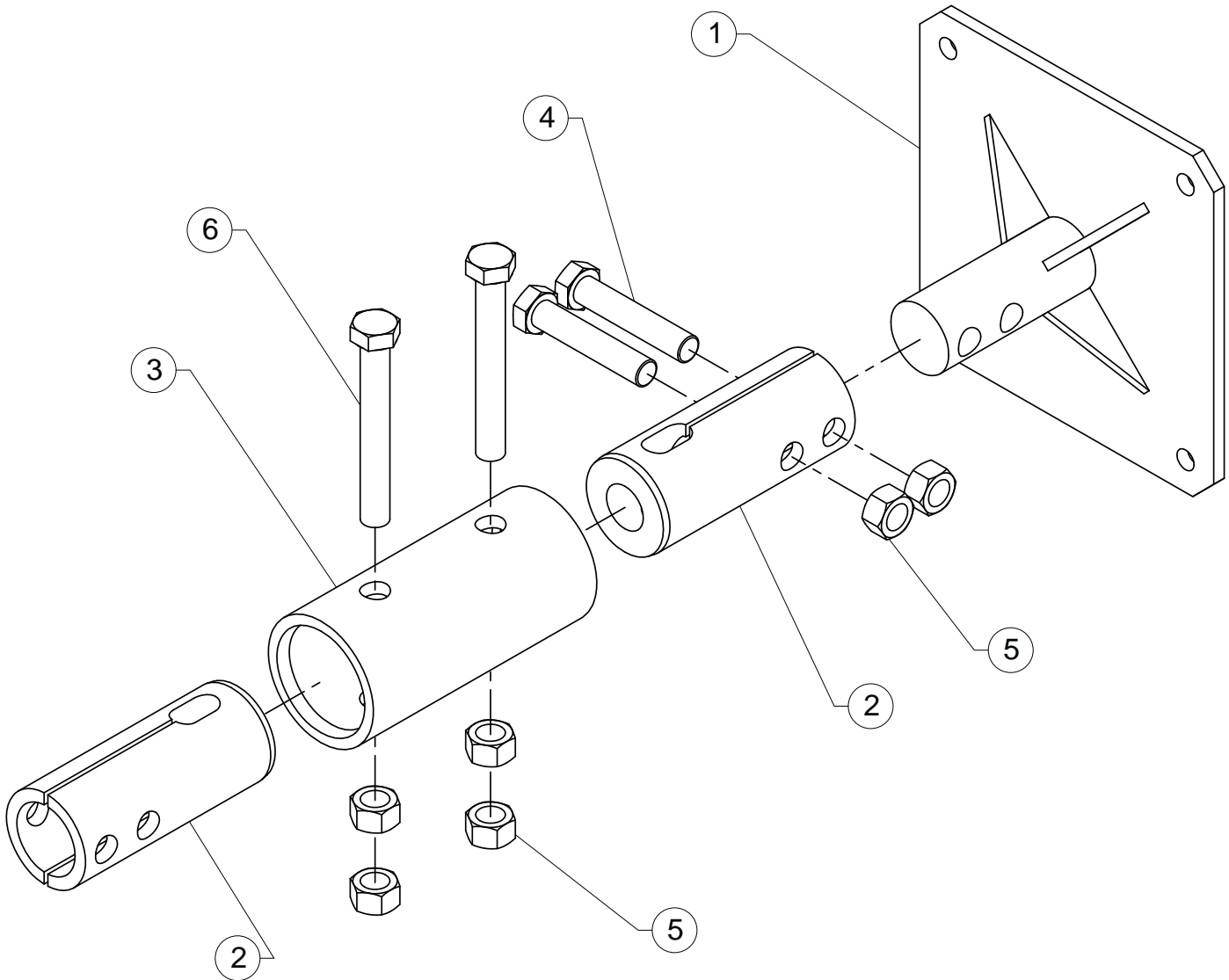
ITEM	PART NUMBER	DESCRIPTION	QTY.
1	51323-17	WELDMENT, POWER SUPPLY BOX	1
2	51086-17	COVER, POWER SUPPLY BOX	1
3	13359-00	TRANSFORMER, 115 VAC TO 28 VAC	1
4	15187	SCREW, NO. 10 X 1/2 HEX	4
5	15423	SCREW, #10X24X1/2" PAN PHP ZP	4
6	15134	NUT, #10X24 HEX	4
7	16762	CIRCUIT BREAKER, 8 AMP	1
8	16380	STRAIN RELIEF BUSHING 16-3	1
9	16367	STRAIN RELIEF BUSHING 18-3	1
10	16439	CORD ASSEMBLY, WEEDROLLER	1
11	51326-00	ASSEMBLY, WR PS HARNESS	1
12	16441	SINGLE WIRE ASSEMBLY	2
13	16340	DECAL, WARNING WEEDROLLER	1

70' EXTENSION CORD



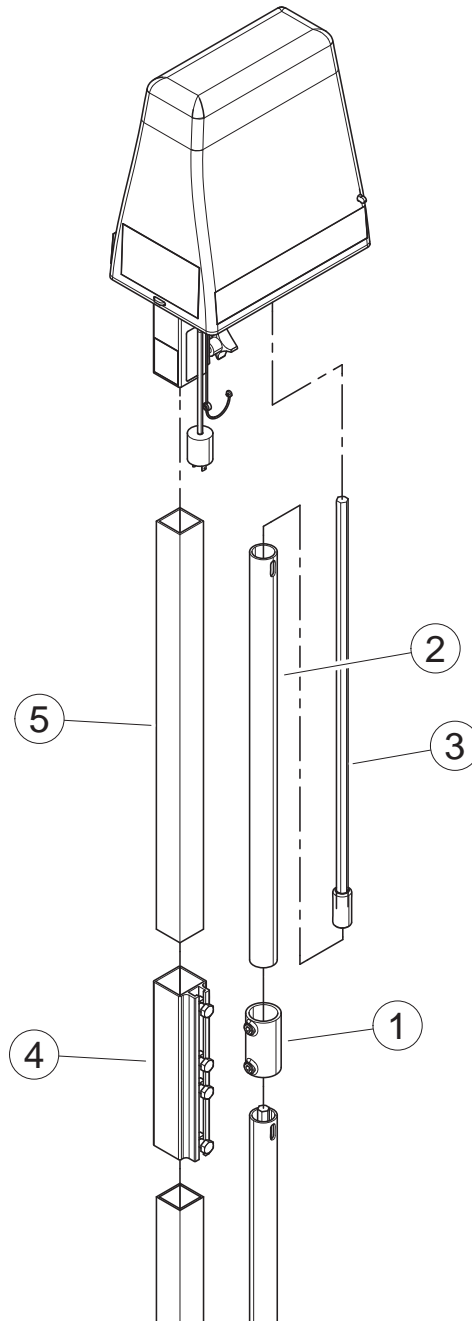
70' EXTENSION CORD (AC WR) (51327-00)			
ITEM	PART NUMBER	DESCRIPTION	QTY.
1	51327-00	70' EXTENSION CORD (AC WR) WITH ENDS	1
2	13374-00	CONNECTOR, 2 POLE FEMALE QUICK	1
3	13373-00	CONNECTOR, 2 POLE MALE	1

ROLLER ADAPTER



ASSEMBLY ROLLER ADAPTER				
ITEM	PART NUMBER	DESCRIPTION	51219 QTY.	51278 QTY.
1	51213	WELDMENT, STEEL ADAPTER	1	1
2	51059	WEEDROLLER BUSHING	2	2
3	51060	WEEDROLLER COUPLER	1	1
4	15092	BOLT, 1/2 X 2-1/2 GR5 NC ZP	4	2
5	15043	NUT, 1/2" HEX NC ZP	8	6
6	15549	BOLT, 1/2 X 3-3/4 HHCS GR5 NC ZP	2	2

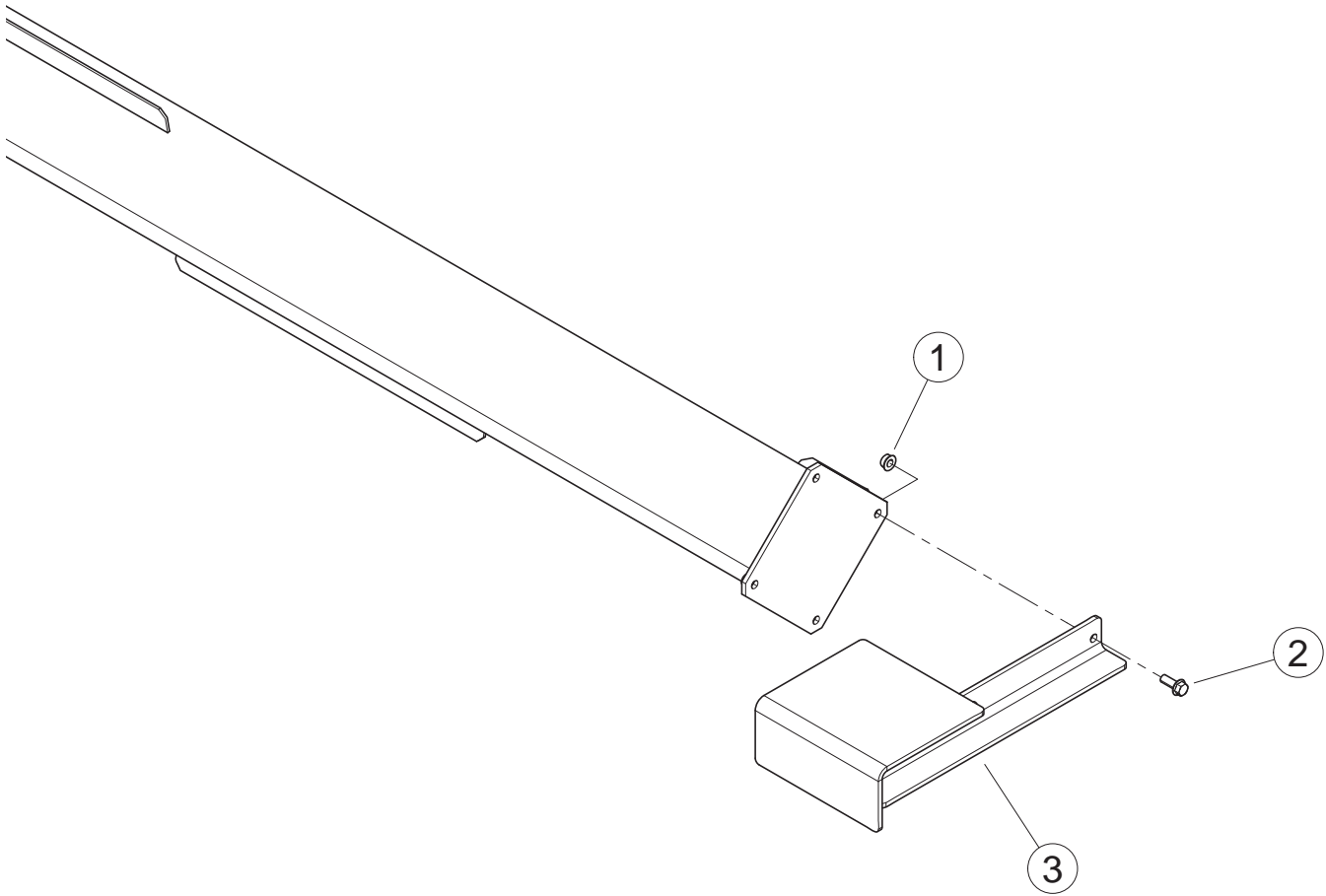
WEEDROLLER TALL EXTENSION KIT (DEEP WATER EXTENSION) (OPTION)



The 30" extension kit increases the maximum water depth of the standard unit from 4-1/2 feet to 7 feet. Up to two extensions can be added per WeedRoller.

KIT, WR TALL EXTENSION (DEEP WATER) (51409)			
ITEM	PART NUMBER	DESCRIPTION	QTY.
1	12613	COUPLER, PIVOT TUBE EXTENSION	1
2	51279	TUBE, WR PIVOT EXTENSION	1
3	51284	WELDMENT, 5/8 HEX SHAFT	1
4	51407-00	COUPLER, DEEP WATER	1
5	51408-00	TUBE, REAR EXTENSION	1

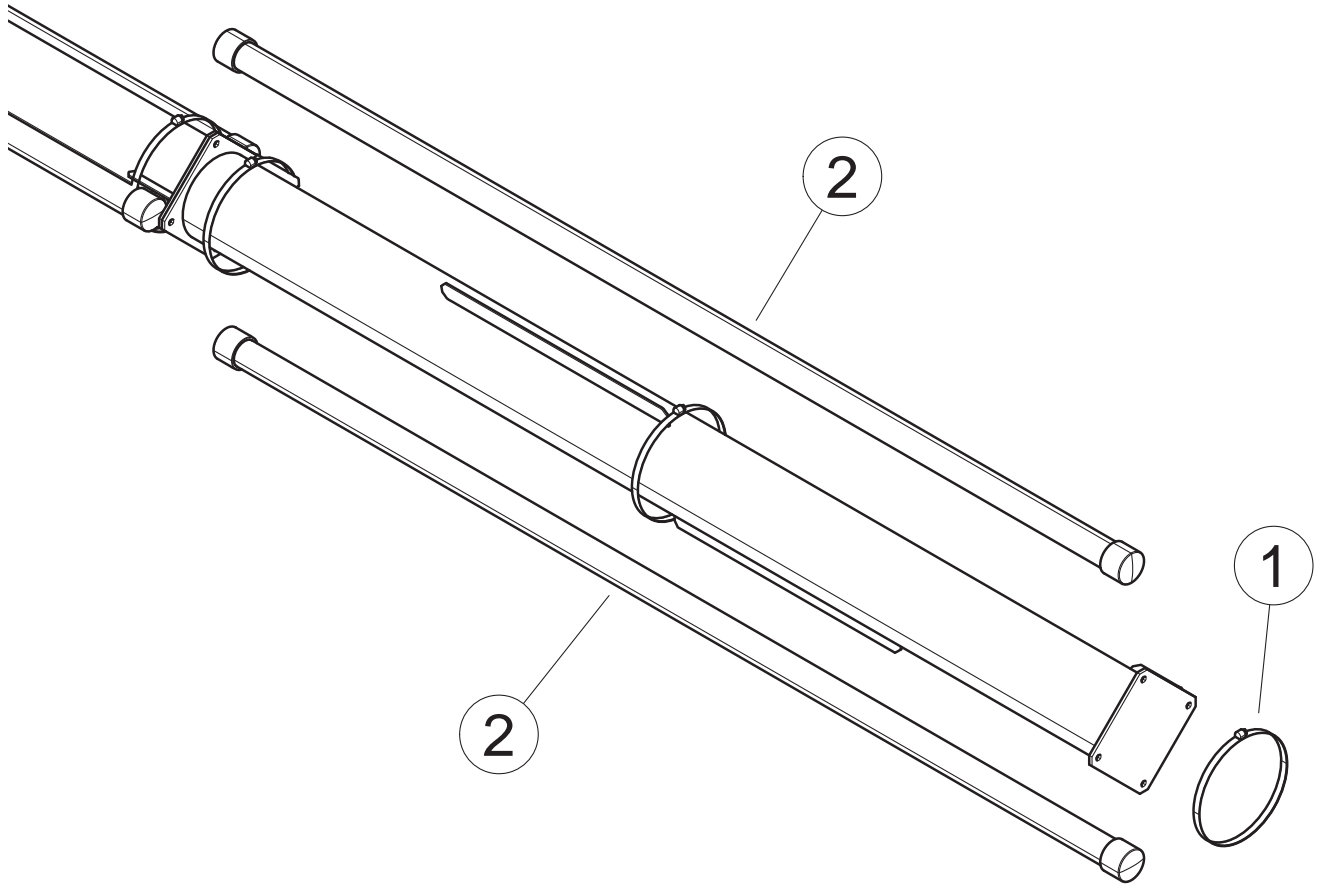
MUD KIT (OPTION)



For moderate mud and muck conditions. Acts as a large paddle on the end roller, providing traction in mud. Remove mud kit after the WeedRoller has worked down to firmer lake bottom.

KIT, MUD (51320)			
ITEM	PART NUMBER	DESCRIPTION	QTY.
1	15051	NUT, 3/8 SERR FLANGE NC ZP	2
2	15382	BOLT, 3/8 X 1 SERR FLANGE GR5 NC ZP	2
3	51319	WELDMENT, MUD KIT	1

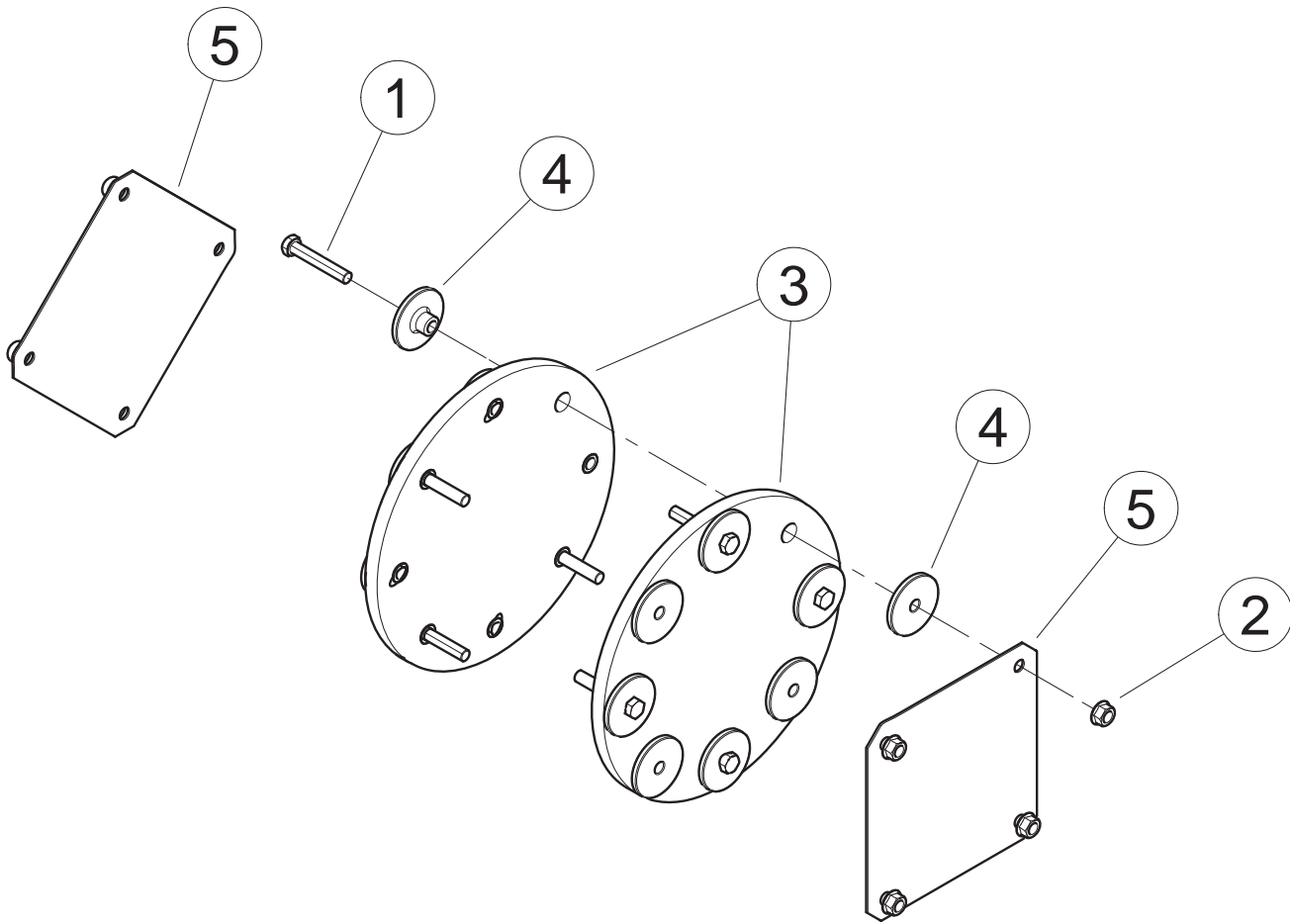
PLASTIC PIPE MUD KIT (OPTION)



For extreme mud and muck conditions. Increases flotation of tubes. Remove mud kit after the WeedRoller has worked down to firmer lake bottom.

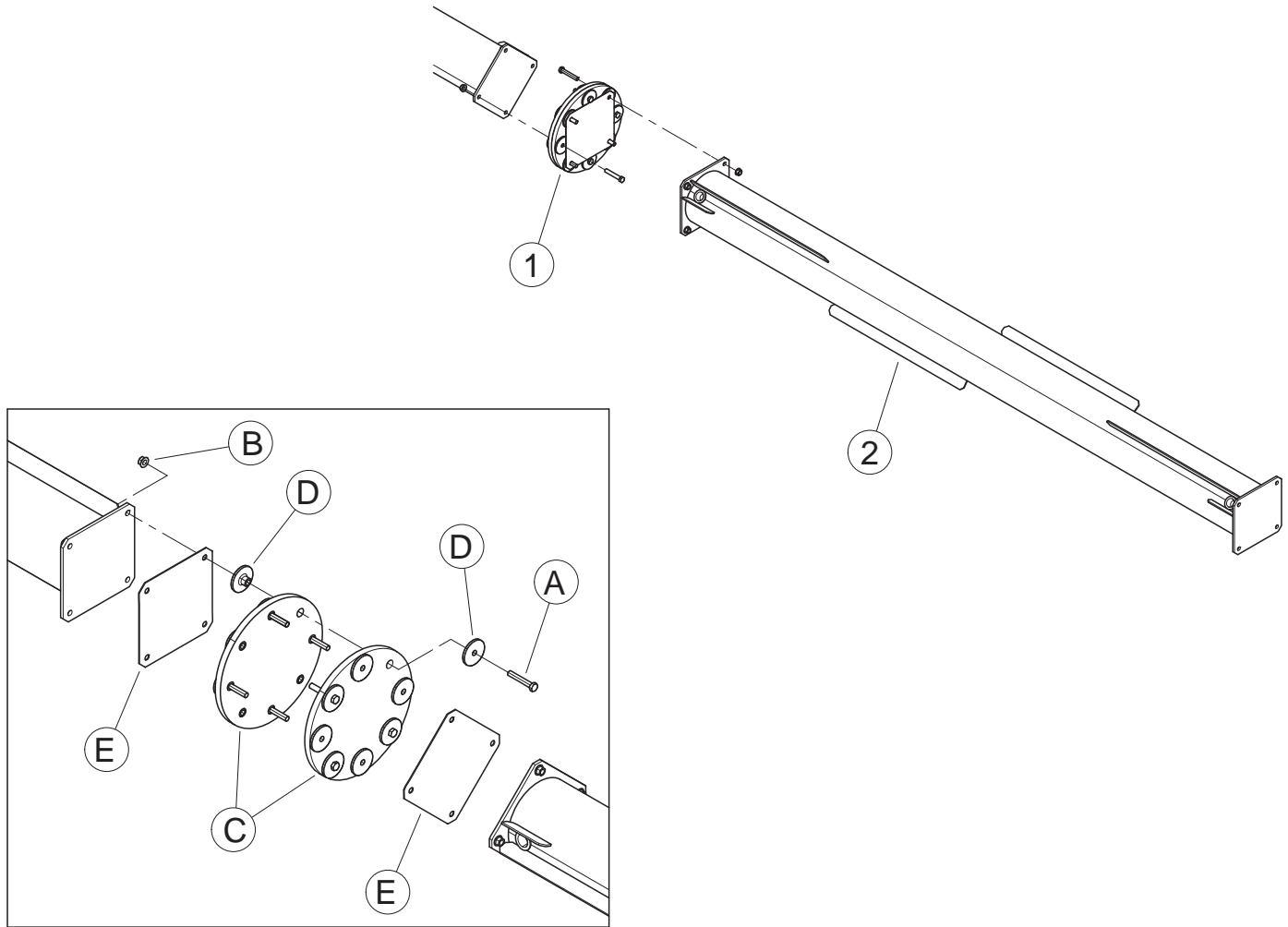
KIT, PLASTIC PIPE MUD (51134)			
ITEM	PART NUMBER	DESCRIPTION	QTY.
1	16626	CLAMP, 7-3/4 DIA. SNAPLOCK HOSE	6
2	51147	ASSEMBLY, PLASTIC PIPE	4

FLEX COUPLER REPLACEMENT (OPTION)



KIT, COUPLER - FLEX (51192)			
ITEM	PART NUMBER	DESCRIPTION	QTY.
	51288	ASSEMBLY, FLEX COUPLER (INCLUDES ITEMS 1 - 5)	1
1	0103-0711-00	BOLT, 3/8 X 2-1/4 HEX GR5 ZP	8
2	15051	NUT, 3/8 SERR FLANGE NC ZP	8
3	51154	BELTING, FLEX COUPLER	2
4	51163	BUSHING, FLEX COUPLER	16
5	51164	PLATE, WEAR FLEX COUPLER	2

ADDITIONAL 7 FOOT ROLLER WITH FLEX COUPLER (OPTION)



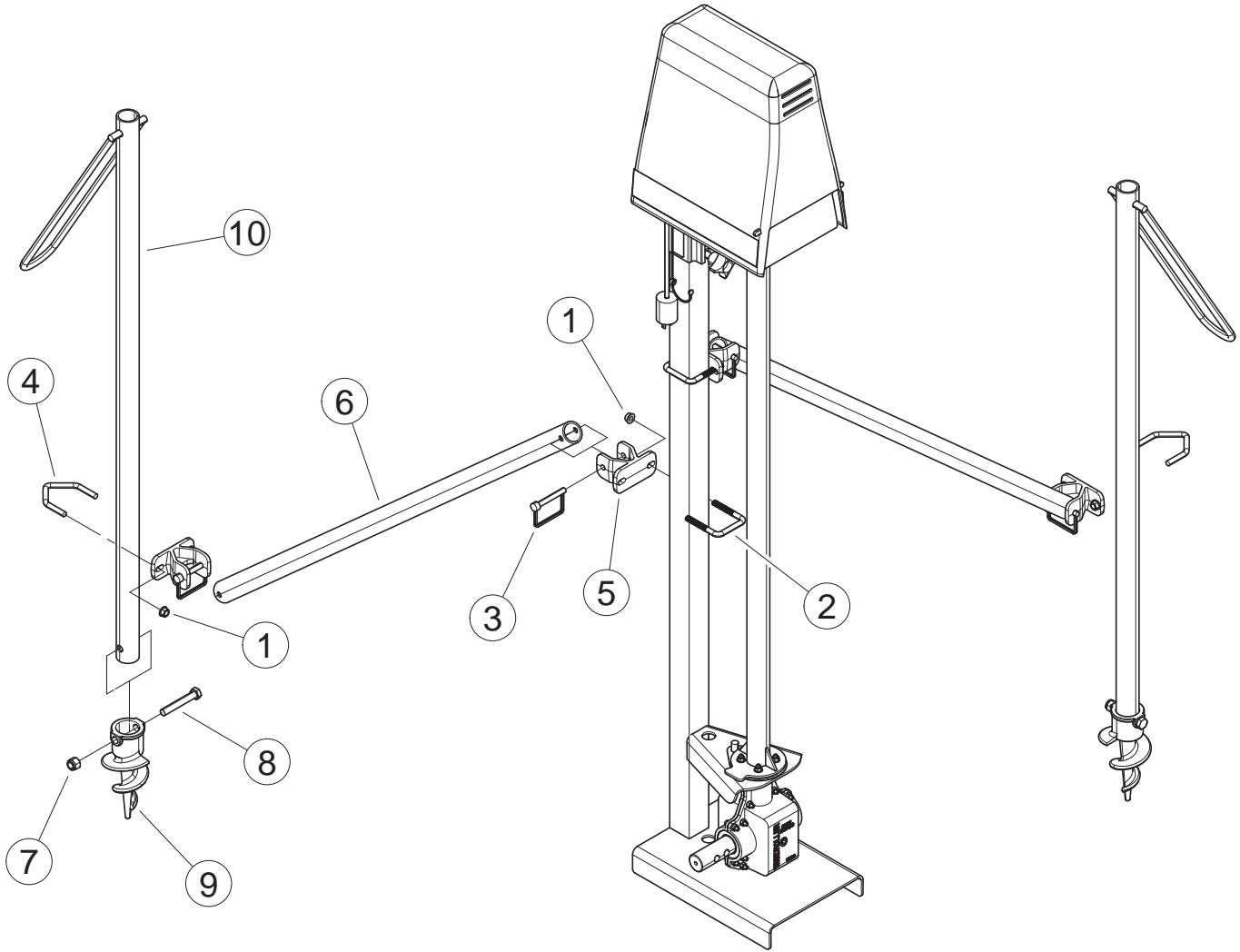
NOTE

Added tubes may require a special permit. Please consult your state and local regulations.

Comes complete with the necessary hardware to attach to the existing tubes.

KIT, ROLLER 7' W/FLEX COUPLER (51302)			
ITEM	PART NUMBER	DESCRIPTION	QTY.
1	51288	ASSEMBLY, FLEX COUPLER	1
A	0103-0711-00	BOLT, 3/8 X 2-1/4 HEX GR5 ZP	8
B	15051	NUT, 3/8 SERR FLANGE NC ZP	8
C	51154	BELTING, FLEX COUPLER	2
D	51163	BUSHING, FLEX COUPLER	16
E	51164	PLATE, WEAR FLEX COUPLER	2
2	51291	ASSEMBLY, 7' ROLLER	1
	16580	PLUG, 1" TUBE (NOT SHOWN)	2
	51290	WELDMENT, 7' ROLLER (NOT SHOWN)	1

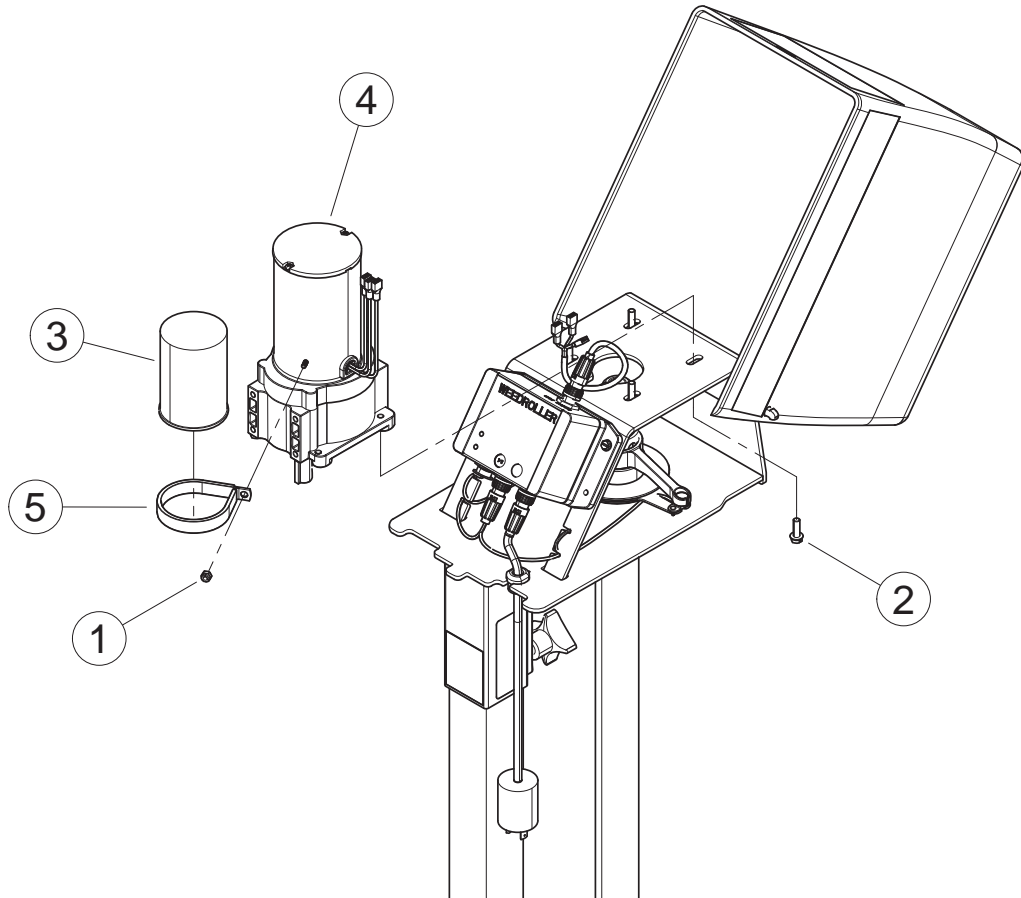
TRIPOD MOUNTING KIT (OPTION)



For mounting the WeedRoller on shore without a dock or other structure. The drive head serves as the first anchor point. Two sand screw anchors form the remaining two points.

KIT, TRIPOD MOUNTING (51181)			
ITEM	PART NUMBER	DESCRIPTION	QTY.
	51182	ASSEMBLY, WR TRIPOD (INCLUDES ITEMS 1 - 6)	2
1	15051	NUT, 3/8 SERR FLANGE NC ZP	4
2	15813-00	U-BOLT, 3/8 X 2-3/8 X 3 RECT	1
3	16808	PIN, 3/8" X 2-3/4" SNAP	2
4	51180	V-BOLT, DOCK MOUNT ZP	1
5	51183	CASTING, TRIPOD BRACKET	2
6	51187	TUBE, TRIPOD LEG	1
	51204	ASSEMBLY, TRIPOD POST (INCLUDES ITEMS 7 - 10)	2
7	0101-0100-00	NUT, 1/2-13 UNC NYLOCK	1
8	15173	BOLT, 1/2 X 3-1/4 HEX GR5 ZP	1
9	16746	AUGER	1
10	51142	WELDMENT, AUGER TUBE	1

KIT, MOTOR REPLACEMENT (OPTION)

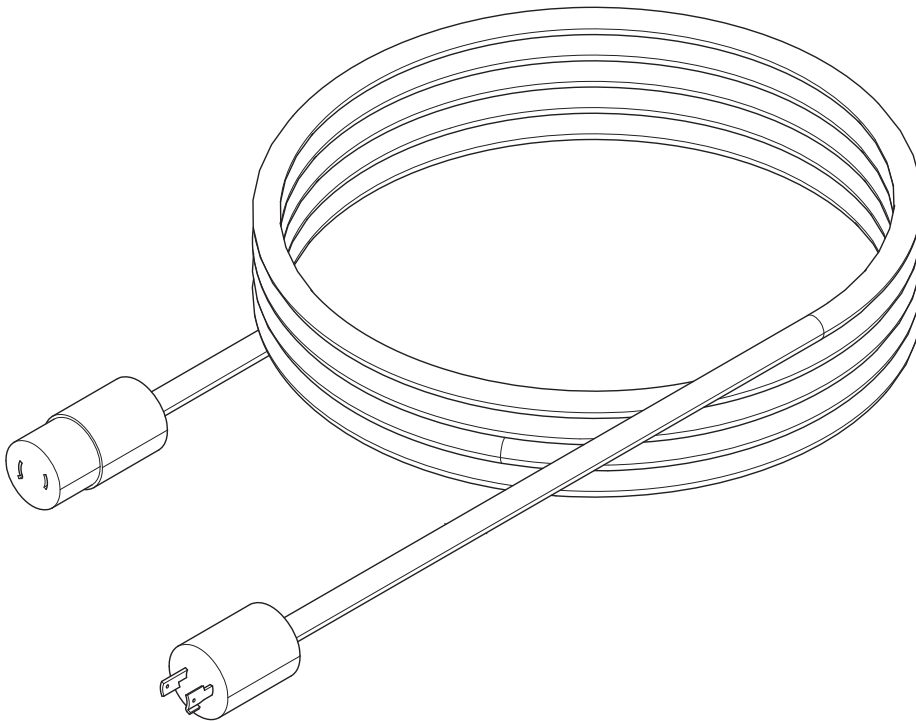


KIT, MOTOR REPLACEMENT (53940)			
ITEM	PART NUMBER	DESCRIPTION	QTY
1	15255	NUT, 8-32 NYLOCK	1
2	15901-00	SCREW, 1/4-28 X .75 HF ZP	4
3	31448-00	CAPACITOR, 175 MFD	1
4	31547-00	MOTOR, 28 VAC BISON GEAR	1
5	32261-00	CLAMP, 2-1/2 X 1/2 COATED	1

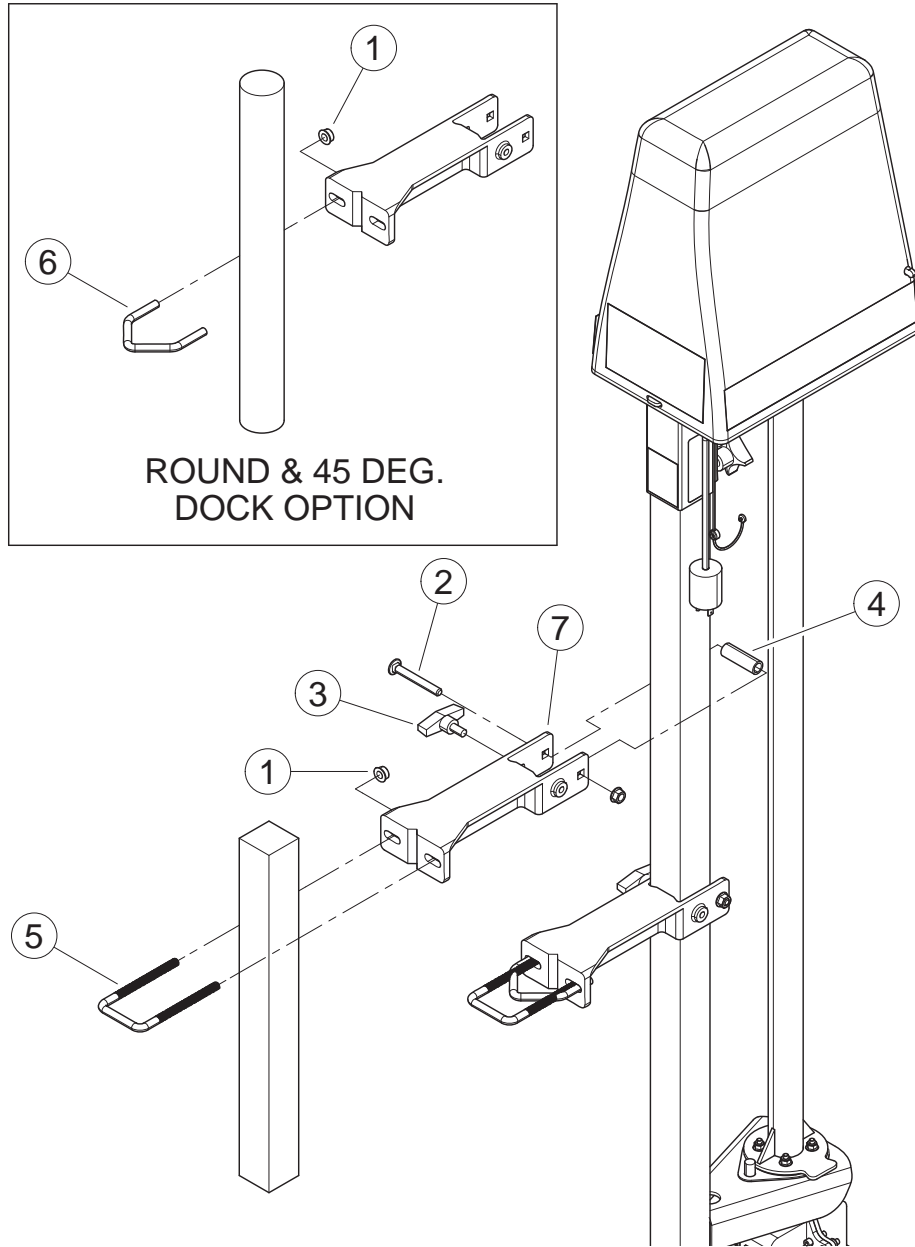
EXTENSION CORDS (OPTION)

For longer docks that require more than 70 feet of cord between the 110 volt converter on land and the AC power head in the water. Crary does not recommend exceeding 100' of cord.

51343-00 25' EXTENSION CORD (AC WR)



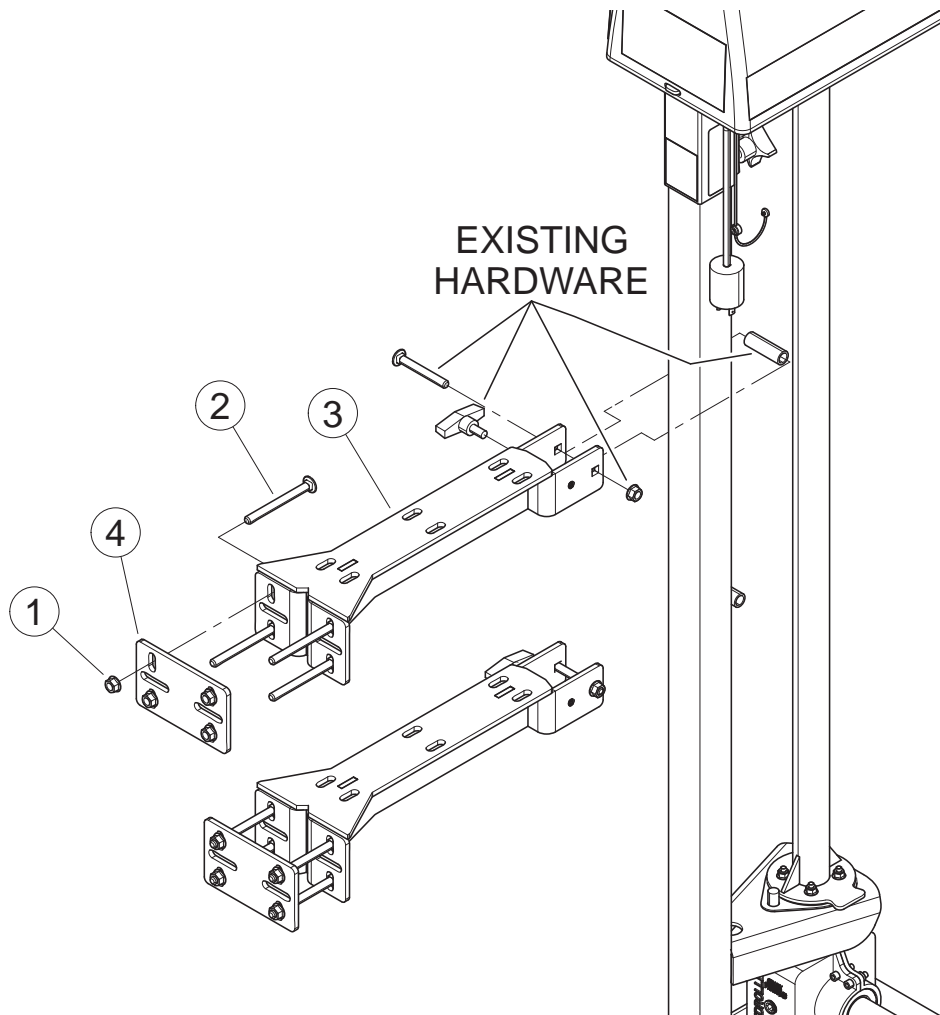
DOCK MOUNTING HARDWARE KIT (OPTION)



Use additional dock hardware to easily move the WeedRoller from one location to another.

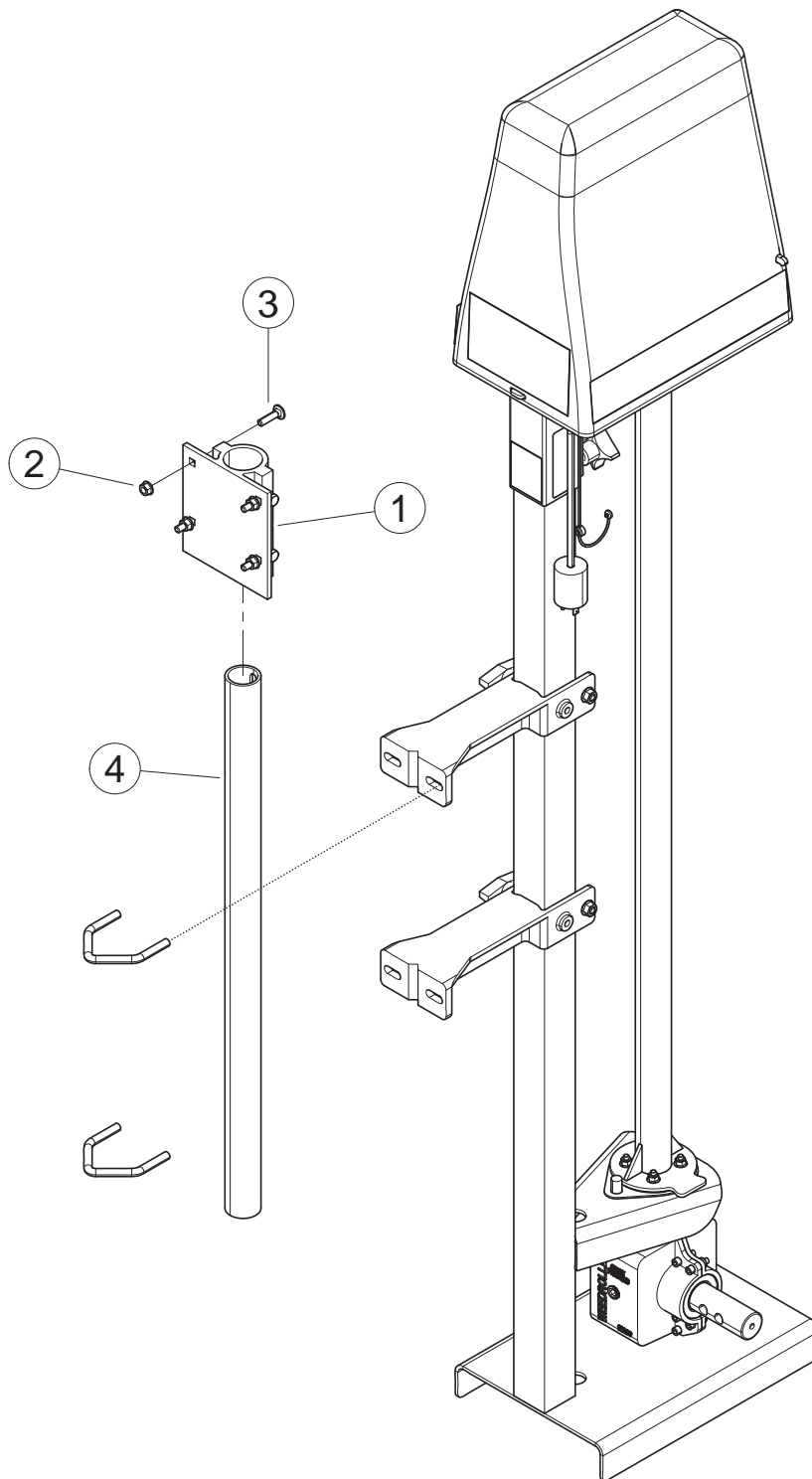
KIT, HARDWARE - DOCK MOUNTING (51188)			
ITEM	PART NUMBER	DESCRIPTION	QTY.
1	15051	NUT, 3/8 SERR FLANGE NC ZP	6
2	15100	BOLT, 3/8 X 3 CRG GR5 NC ZP	2
3	15524	KNOB, 3/8 X 3/4 STUD	2
4	51174	SPACER, DOCK MOUNT	2
5	51175	U-BOLT, 2-3/8 X 5 RECT ZP	2
6	51180	V-BOLT, DOCK MOUNT ZP	2
7	51191	BRACKET, DOCK MOUNT	2

15 INCH DOCK BRACKET KIT (OPTION)



KIT, 15" DOCK BRACKET (51406)			
ITEM	PART NUMBER	DESCRIPTION	QTY
1	15051	NUT, 3/8 SERR FLANGE NC ZP	8
2	15737-00	BOLT, 3/8 X 4 CRG GR5 FULL THD	8
3	51404-00	WELDMENT, 15" DOCK MOUNT	2
4	51405-00	PLATE, DOCK BRACKET MOUNT	2

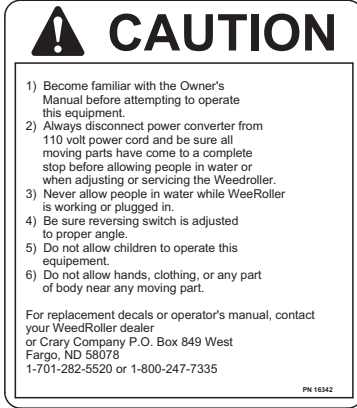
SIDE POST MOUNTING KIT (OPTION)



KIT, SIDE POST MOUNTING (51351)			
ITEM	PART NUMBER	DESCRIPTION	QTY.
1	14085-00	MOUNT, SIDE POST	1
2	15351	NUT, 5/16 SERR FLANGE NC ZP	4
3	15398	BOLT, 5/16 X 1-1/4 CRG GR5 ZP	4
4	51279	TUBE, WR PIVOT EXTENSION	1

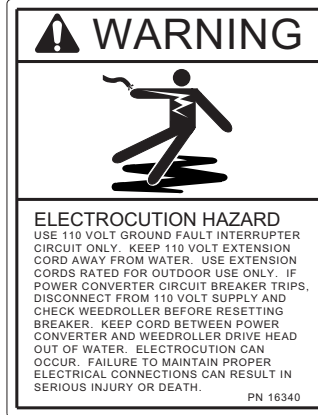
DECALS

1.



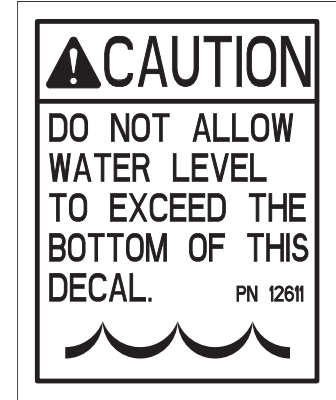
*Located inside drivehead cover
Scale 3/4:1*

2.



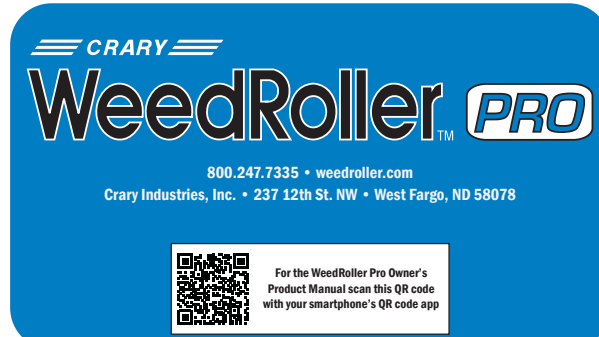
*Located on front cover of power supply
Scale 1/2:1*

3.



*Located on front mount plate
Scale 1:1*

4.



*Located on front cover
Scale 1/2:1*

5.



*Located on both sides of WeedRoller cover
Scale 1/2:1*

DECALS			
ITEM	PART NUMBER	DESCRIPTION	QTY.
1	16342	DECAL, INSTRUCTIONS WEEDROLLER	1
2	16340	DECAL, WARNING WEEDROLLER	1
3	12611	DECAL, CAUTION WATER LEVEL	1
4	32720-00	DECAL, WEEDROLLER - FRONT	1
5	32721-00	DECAL, WEEDROLLER - SIDE	2
	16155	DECAL, SERIAL NUMBER	1

Part #	Page(s)	Part #	Page(s)	Part #	Page(s)
0101-0100-00	40	32721-00	29, 46		
0103-0711-00	25, 38, 39	32917-00	29		
11303	31	51059	25, 34		
11304	31	51060	25, 34		
12269	31	51086-17	32		
12376	31	51134	37		
12377	31	51142	40		
12378	31	51147	37		
12379	31	51154	25, 38, 39		
12381	31	51163	25, 38, 39		
12383	31	51164	25, 38, 39		
12384	31	51174	27, 43		
12487	31	51175	27, 43		
12530	29	51180	27, 40, 43		
12611	29, 46	51181	40		
12613	35	51182	40		
13359-00	32	51183	40		
13373-00	33	51187	40		
13374-00	33	51188	43		
14085-00	45	51191	27, 43		
15043	25, 34	51192	38		
15051	25, 27, 36, 38, 39, 40, 43, 44	51204	40		
15092	25, 34	51213	25, 34		
15100	27, 43	51219	34		
15105	31	51249	27		
15134	32	51252	27, 31		
15173	40	51253	31		
15187	32	51254	31		
15225	29	51274	27		
15242	31	51278	34		
15255	29, 41	51279	35, 45		
15342	27	51283	25		
15351	45	51284	35		
15382	25, 36	51288	25, 38, 39		
15398	45	51290	25, 39		
15423	32	51291	25, 39		
15524	27, 43	51302	39		
15549	25, 34	51319	36		
15585	31	51320	36		
15586	31	51323-17	32		
15587	31	51324-00	29, 32		
15593	31	51326-00	32		
15737-00	44	51327-00	29, 33		
15813-00	40	51340-12	29		
15898-00	29	51343-00	42		
15900-00	27	51344-00	27		
15901-00	29, 41	51351	45		
15906-00	29	51404-00	44		
16155	29, 46	51405-00	44		
16340	32, 46	51406	44		
16342	29, 46	51407-00	35		
16367	32	51408-00	35		
16380	29, 32	51409	35		
16439	32	53940	41		
16441	32	54570-00	29		
16580	25, 39	54571-00	29		
16626	37	54574-00	29		
16746	40	54575-00	27		
16762	32	54579-00	27		
16808	40	54584-00	29		
31448-00	29, 41	54585-00	29		
31547-00	29, 41	54586-00	27		
32261-00	29, 41	54588-00	29		
32348-00	29	54591-00	27		
32355-00	29	54628-00	29		
32359-00	29	54677	25		
32455-00	29	54895-00	29		
32457-00	29				
32720-00	29, 46				



Crary Industries
237 12th St. NW ~ P.O. Box 849
West Fargo, ND 58078-0749
(701)282-5520 ~ FAX: (701)282-9522
www.crary.com
www.weedroller.com

