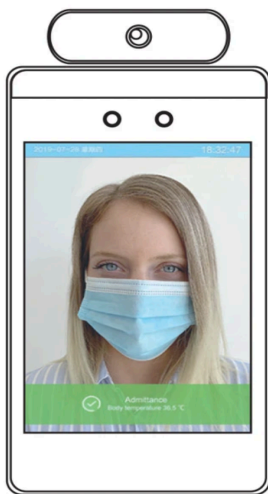


# TherMask Guard



شركة الاستشارات المستقبلية | Future Consulting Co.  
للتكنولوجيا وتجارة أنظمة الحماية | for Technology and Security Systems Trade.



Automatic System designed to measure body temperature and mask detection



Mask Detecting



Body heat measurement without  
psychical contact

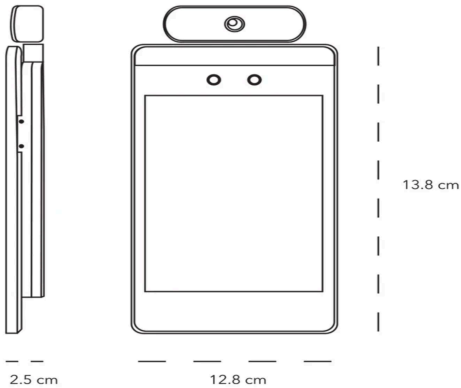


Facial recognition to ensure mask  
adherence - with or without mask



Attaches to automatic entryway  
systems

# TherMask Guard



light metal structure, 100% protected



high resolution, 8 inch display screen

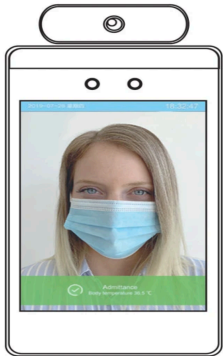


3D camera & IR sensors



strong, water proof, weather resistant

## Handling COVID-19 safely



mask detection



infrared temperature sensor



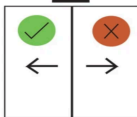
automatically confirms or declines



hands free- COVID-19 safe



face recognition for employees



connects to automatic doors

# TherMask Guard

## System Description:

The TherMask Guard system is based on advanced deep learning technology, combined with infrared sensors, to generate accurate body temperature measurements and facial recognition.

## System Information:

- Quick and simple installation
- Water and dust resistant, IP65, can be installed outdoors
- Temperature resistant from -10° C to °60 degrees Celsius
- Supports Ethernet, wireless (WiFi)
- Measures temperature from a distance of 30-80 cm
- Automatic recognition of facial masks
- Response time for facial recognition under 1 second
- Facial recognition per establishment up to 30,000 faces
- Connect to automatic entryway systems
- Prevents clients with abnormal temperatures or lack of facial protective masks from entering establishments
- Heat measurement accurate by  $\pm 0.2^{\circ}\text{C}$ -

# TherMask Guard

## Installation options:

Hang from wall



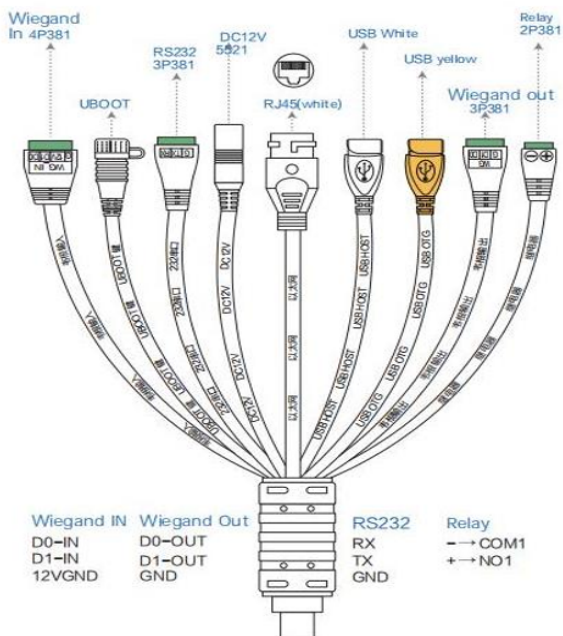
Desk stand



Outdoor stand



## Supports multiple connections:



The TherMask Guard system has a vast variety of connections and can connect to different device types among automatic entrance systems, LAN and cellular internet. The devices support USB and others.

# TherMask Guard

## Technical info:

Camera	Pixels	2 Mega
	Type	Binocular wide dynamic camera
	Focus distance	50-150cm
	White balance	Auto
Display	Size	8.0 inch
	Resolution	800x1280
Processor	CPU	Rk3288 four cores/ rk3399 six cores/ msm8953 eight cores
	Local storage	EMMC 8G
Accessory	Fill light	LED and infrared double fill light
Interface	Network module	Support Ethernet, wireless (WiFi)
	Audio	Support 2.5W/4R horn
	USB	1*USB OTG,1*USB HOST Standard A port
	Serial	1*RS232
	Relay output	1
	Wiegand interface	1*26/34 output,1*26/34 input
	Upgrade button	Support Uboot upgrade button
	LAN	1*RJ45
General Parameters	Protection grade	IP65, outdoor dustproof and waterproof functions
	Power	DC12V (±10%)
	Working temperature	-10°C~60°C
	Storage temperature	-20°C~60°C
	Consumption	13.5W(Max)
	Mounting type	Gate support installation
	Dimension	238.24*128*25(mm)
	Weight	1.45kg

# TherMask Guard

## Technical info:

Function	Face detection	Support multiple people detection and tracking
	Face database capacity	30,000
	1: N Face recognition	Supported
	1:1 face-matching	Supported
	Stranger detection	Supported
	Detection distance configuration	Supported
	UI interface configuration	Supported
	Remote upgrade	Supported
	Device interface	Interface includes equipment management, personnel / photo management, record query, etc.
	Deployment mode	Support public cloud deployment, private deployment, LAN use, stand-alone use
Infrared thermal imaging module	Human body temperature detection	Supported
	Temperature detection distance	30 – 80 cm
	Measuring Accuracy	$\leq \pm 0.2^{\circ}\text{C}$
	Measuring range	$10^{\circ}\text{C} \sim 42^{\circ}\text{C}$
	Thermal imaging field of view	$32 \times 32^{\circ}\text{C}$
	Visitors with normal temperature will be passed directly	Supported
	Over temperature alarm	Support (temperature alarm value can be set)