



Range Development Options

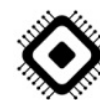


Oakwood Controls

Integrated Sensor Solutions

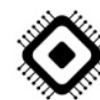
History

- Founded in 2009
- Based in York, Pennsylvania
- Roots in military sensor integration architecture (force protection, sensor towers, UGS, etc.)
- Electronic target systems for live fire training and performance measurement
- Special Operations and Land Forces training systems



Markets Served

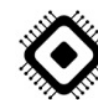
- Military
 - Precision shooters
 - Infantry training and qualification
 - Live fire exercises
 - Research and development
- Industry
 - Weapons manufacturing
 - Ammunition testing
 - Projectile development
 - Accessory testing



Some Customers



GENERAL DYNAMICS

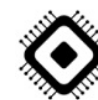
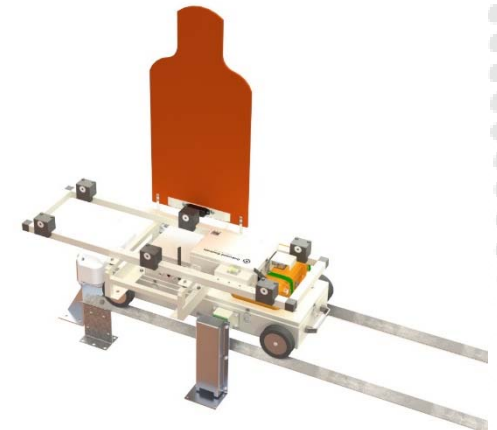
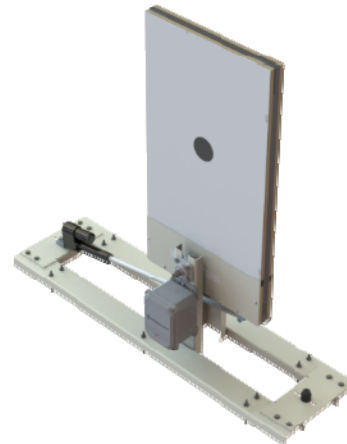
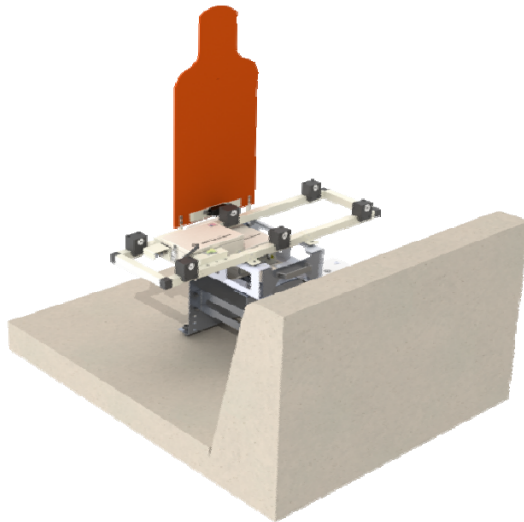
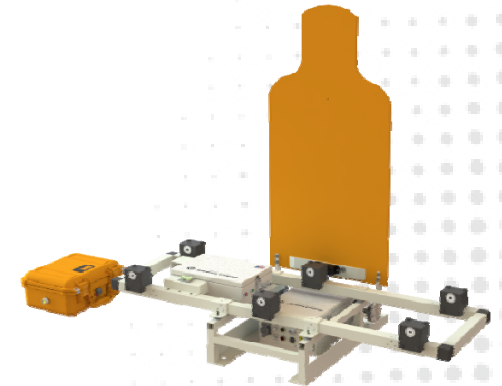


Oakwood Controls
Integrated Sensor Solutions



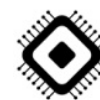
Design for Efficient Operations

- Modern target systems:
 - Firing line is always active
 - Higher student to instructor ratio
 - Immediate results, improved feedback
 - Higher challenge for special operations



Range Install Options

- Portable – anywhere
- KD Range – manual target lifters
- Ground – unimproved with modular ballistic protection
- Ground – concrete – with knee wall
- Ground – trench system with wall mount

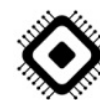


Portable

The H-bar can be utilized in a portable setting for users who need to travel to a live fire range facility or for users who share range facilities with other units and have the need to remove target hardware frequently.

Configuration:

- Long lasting rechargeable batteries
- Long Distance WiFi Radios – up to 5 kilometers
- Light weight – total system approximately 20 pounds
- Aiming point lifter module available

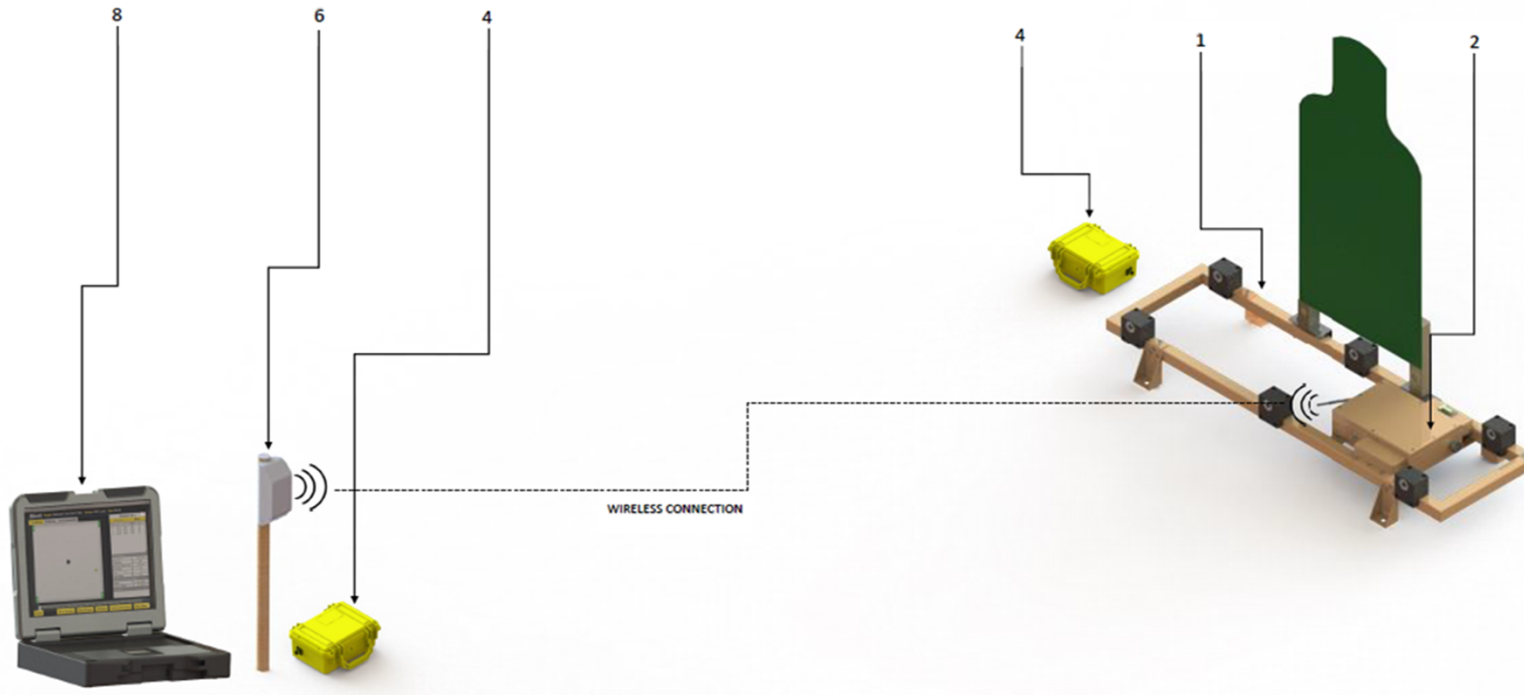


Portable System Concept



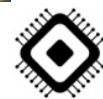
Oakwood Controls
Integrated Sensor Solutions

NUMBER	QUANTITY	RANGE EQUIPMENT
1	1	TARGET (H-BAR)
2	1	PORTABLE PROCESSING ELECTRONIC SHOT BOX
3	1	BATTERY BOX CABLE (NOT SHOWN)
4	2	BATTERY BOX
5	2	MAIN POWER SOURCE (NOT SHOWN)
6	1	LONG DISTANCE TARGET RADIO
7	1	RADIO POWER CABLE (NOT SHOWN)
8	1	SHOOTER MONITOR

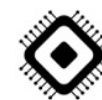
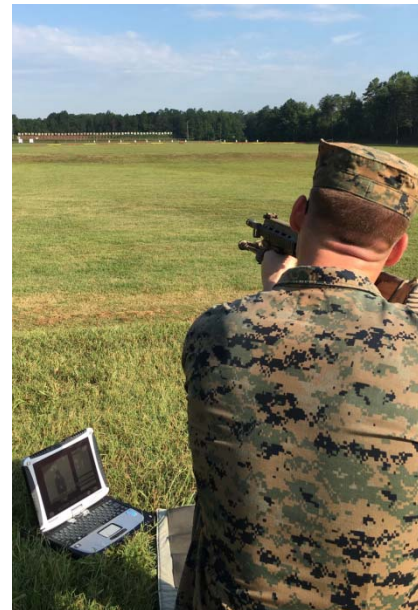


Oakwood Controls
Integrated Sensor Solutions

Portable

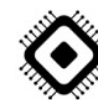
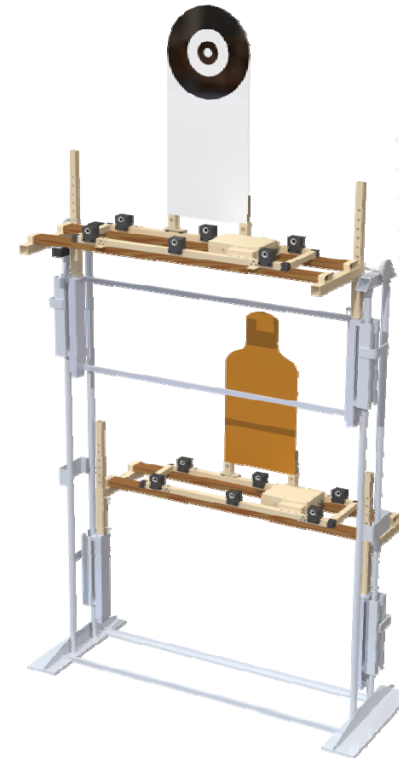


Portable

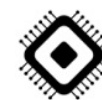


Known Distance Range Configuration

The electronic targets can be utilized in a permanent installation like know distance pits for users with traditional style live fire range facility .



Permanent – Precision Box Target



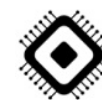
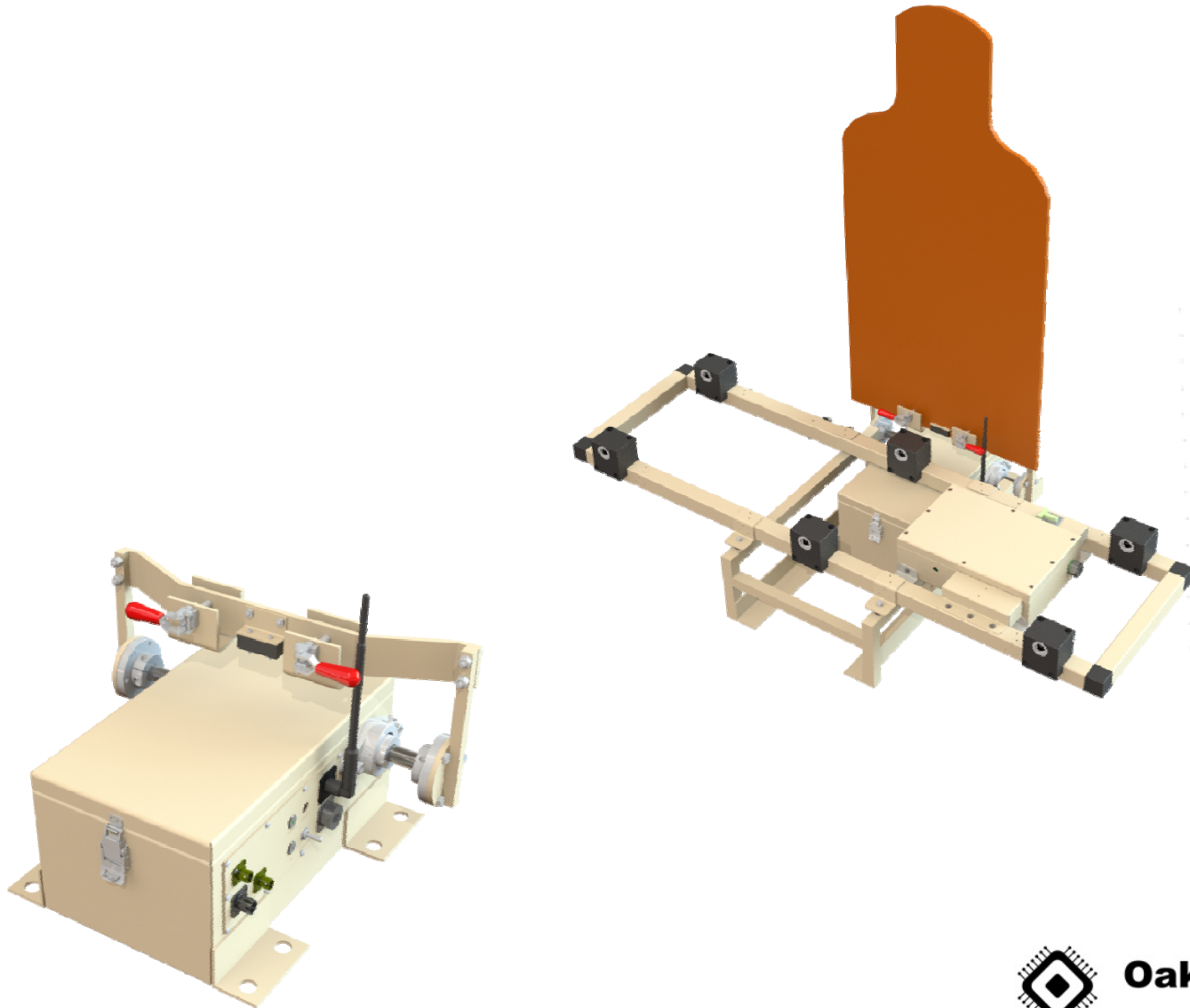
Permanent – H-bar



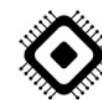
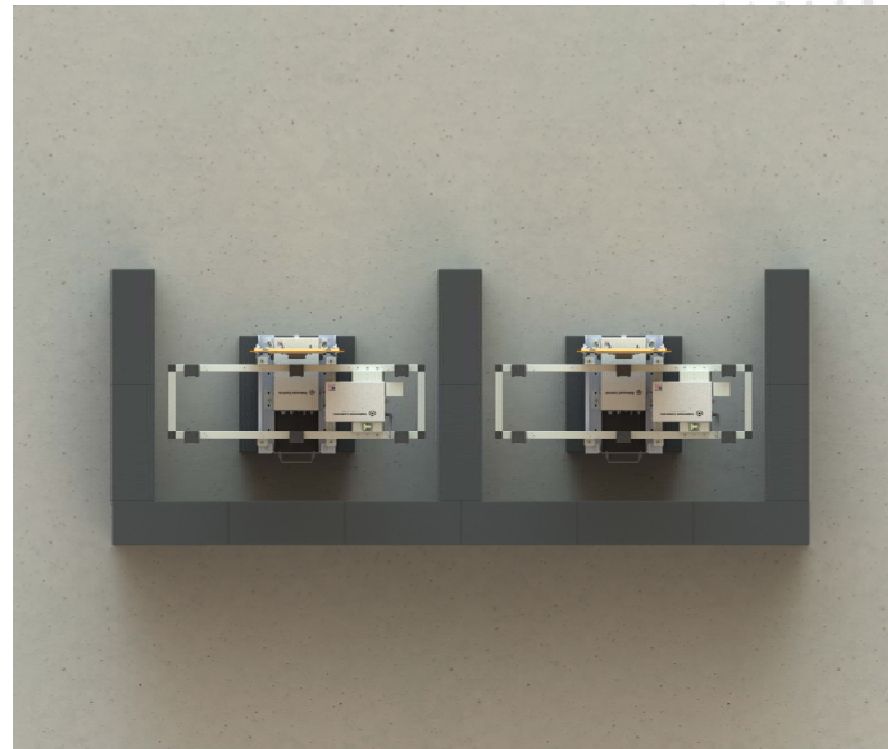
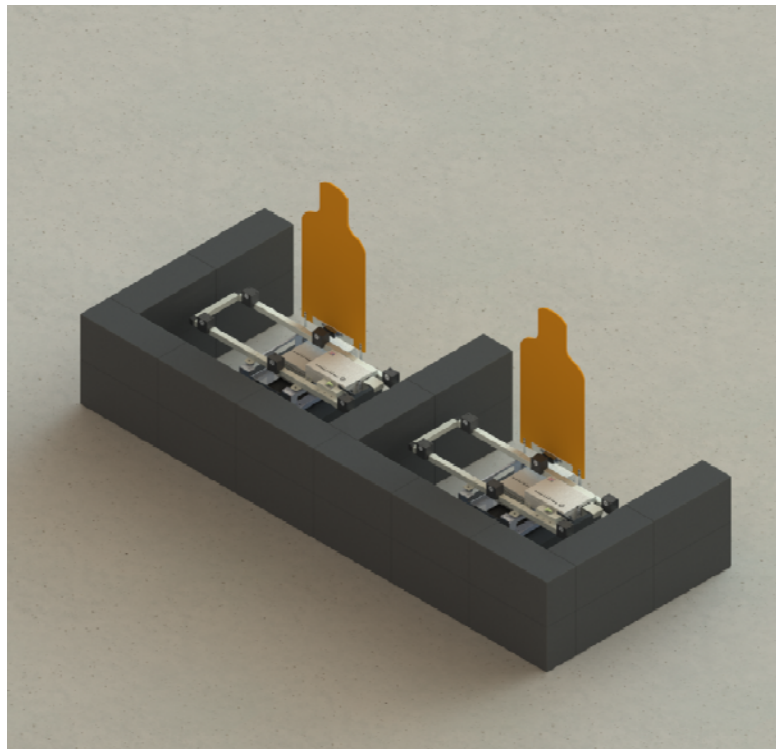
H-bar's can be mounted to Known Distance Pit lifters with mounting brackets. The Mounting brackets enable the KD Lifters to function as normal and allow for use of KD paper style targets or the H-bar electronic target.



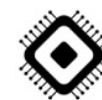
Stationary Pop-up Target with LOMAH



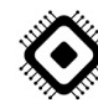
Modular Ballistic Protection – Rubber Block



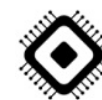
Modular Ballistic Protection – Concrete Block



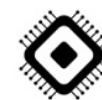
Modular Ballistic Protection – Concrete Block



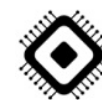
Modular Ballistic Protection – Concrete Block



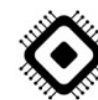
Modular Ballistic Protection – Concrete Block



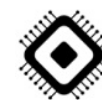
Modular Ballistic Protection – Concrete Block



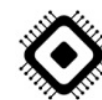
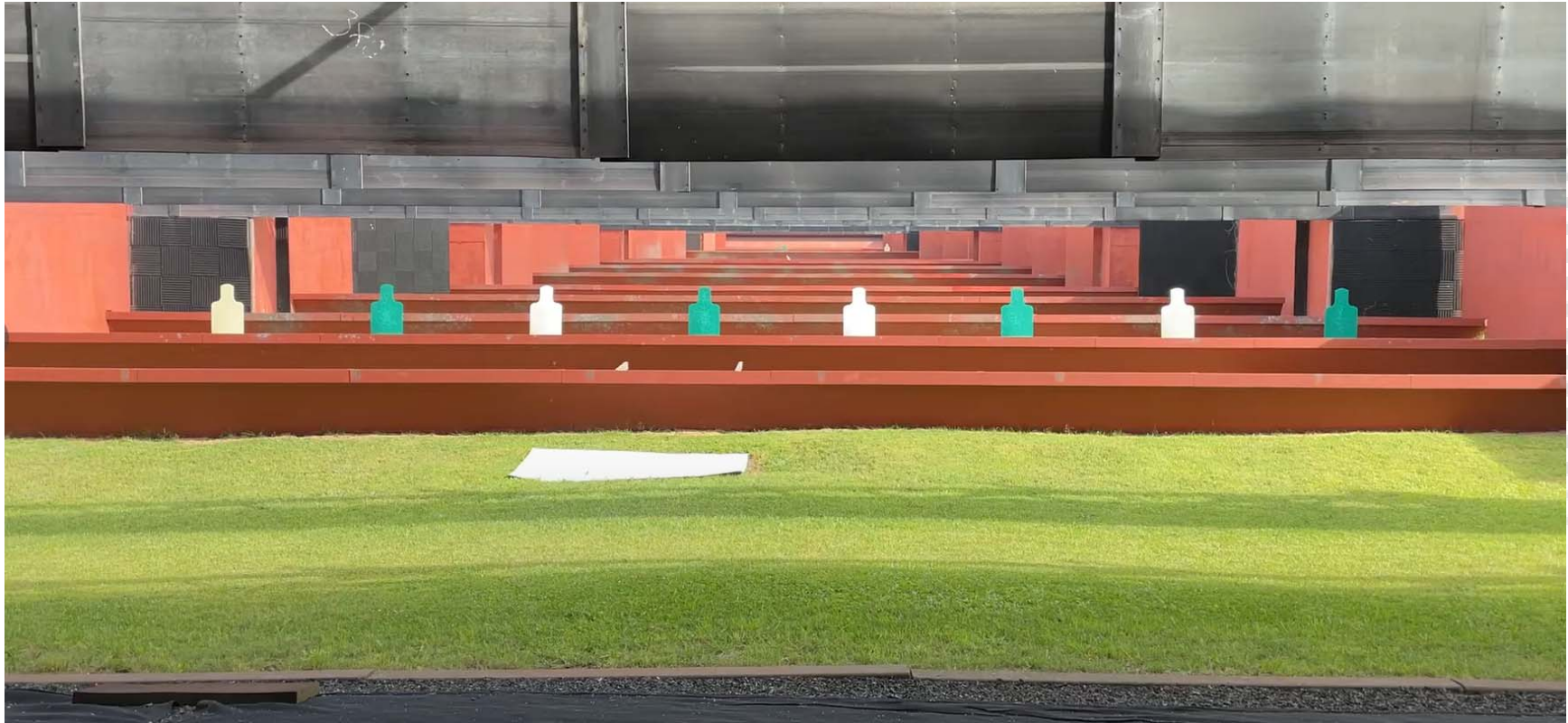
Concrete Pad – with Knee Wall



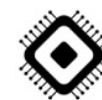
Concrete Pad – with Knee Wall



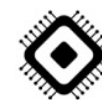
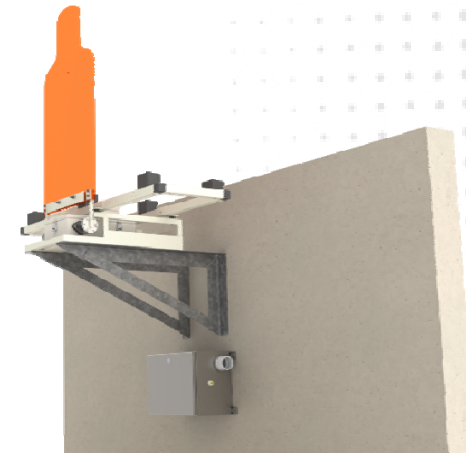
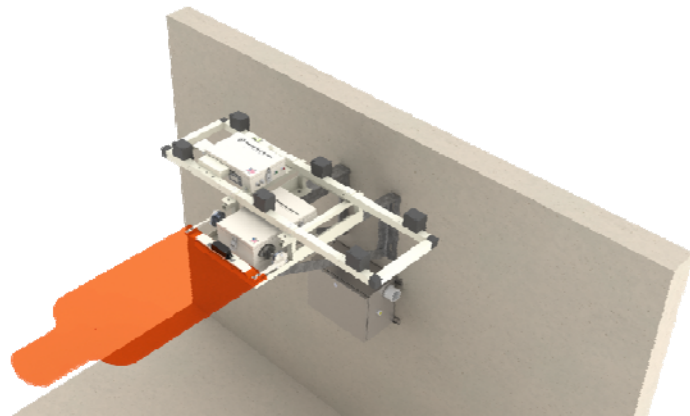
Concrete Pad – with Steel Ground Baffles



Concrete Pad – with Steel Ground Baffles



Concrete Trench – Wall Mount



Concrete Trench – Wall Mount

