

## A winning combination

Connect and manage any EVS production tool from any operator workstation

**EVS**

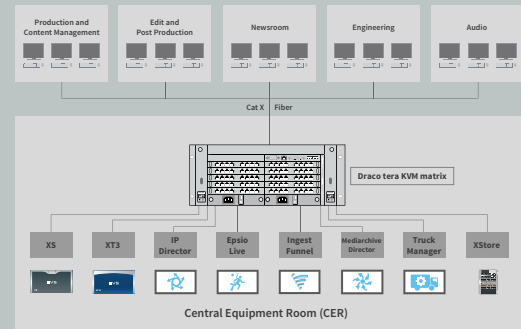
**ihse.**

## Instant and unrestricted connection to remote EVS production tools

Live production teams need the highest-performance technology to create exceptional programming. EVS solutions deliver speed, reliability and capability to broadcasters, OB vans and post-production facilities around the globe.

IHSE KVM technology provides essential control, management and operation of EVS tools; making them instantly and flexibly available to operators. From the smallest ENG vehicle to the largest TV station.

Together EVS and IHSE provide solutions used and trusted by the world's greatest broadcast organisations. Delivering performance, reliability and flexibility, wherever and whenever it is needed.



## Highlights

- Simple switching between EVS tools
- Connect from any operator workstation
- Latency- and artefact-free audio and video distribution
- Highly configurable
- Administrator control
- Interfaces to standard broadcast control systems
- RS422 data transmission compatibility
- Parallel switching of SDI signals, bi-directional conversion of SDI and digital video streams



*The Draco tera range.  
From 8 to 576 ports.*



### Switch

Each operator can connect to any EVS device from their workstation, without changing location or disrupting colleagues. With no transmission delay or visual artefacts production staff can working efficiently wherever they want. Integral SDI switching and conversion to digital video streams for added convenience.



### Control

With unrestricted access, editors, producers and engineers are free to control each and every connected device, whether it's a production server, editing tool, media asset management or distribution device or content management processor.

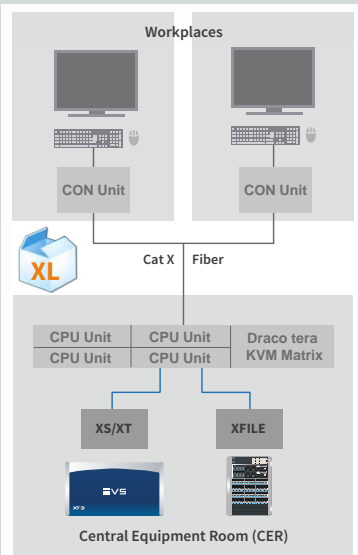


### Manage

Changing between devices by basic keyboard command or control button is instant, making it simple to reach and use every available production asset. IHSE draco switches interface to standard broadcast control systems and are easily integrated into the workflow.

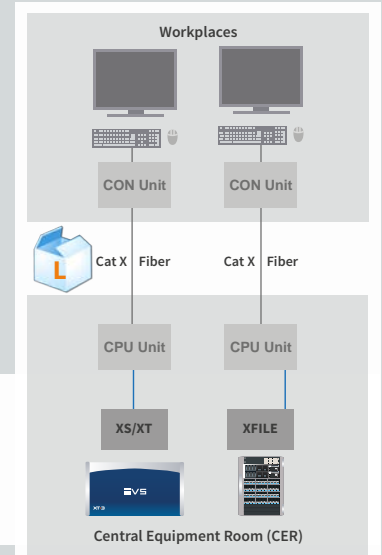
# IHSE KVM BUNDLES

New KVM solutions for production services (XT-VIA, XT/XS 3/4K, NANO) and live tools (XFILE3)



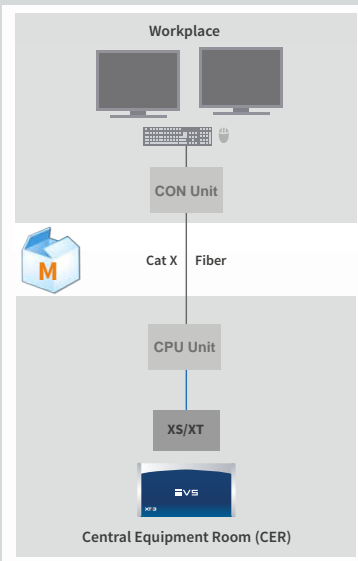
## EVS-XL

Includes a KVM switch for full flexibility, incl. 3G SDI Multiviewer to HDMI (scenarios below can be switched to any screen). 2x user stations (each with 2x LSM controllers).



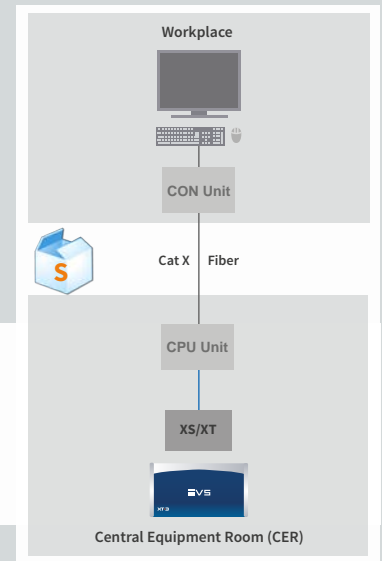
## EVS-L

2x user stations, one with 2x LSM controller, one suitable to XFILE or Multiviewer.



## EVS-M

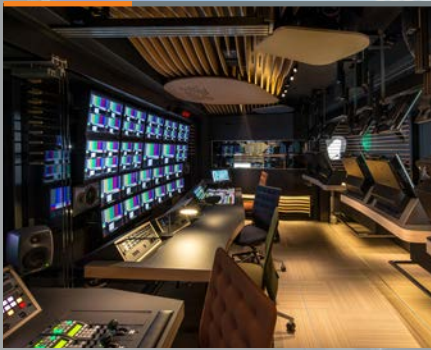
Direct connection - without KVM switch. 2x user stations, one with 2x LSM controllers, one with 3G SDI Multiviewer to HDMI.



## EVS-S

Direct connection. 1x user station (with 2x LSM controllers).

## CUSTOMER OPINIONS



### Videohouse OB14

A new generation vehicle with efficient interior design and externally-accessible equipment racks offers an efficient and adaptable working environment for each assignment.

EVS live production equipment is easily accessed and controlled from any of the interior operator workstations. Editors, production staff and engineers can select the device from their own station; without moving or disrupting colleagues.



### BT Sport

Draco tera enterprise switches handle delay-free switching between EVS servers and operator workstations, creating an end-to-end tapeless workflow.

Centralizing computers maximizes equipment reliability and security and allows studios and edit suites to serve as general purpose facilities. Allowing the business to operate more flexibly and efficiently.



### Mediacorp

The groundbreaking Singapore media company operates from new premises with a 500-seat theatre, 7 TV studios, 13 radio studios and a large newsroom. All connected by Draco KVM switches and extenders.

An impressive range of broadcast devices is available to operators, including EVS production and media distribution devices, along with other TV and radio production tools.

# CONTACT IHSE



## IHSE GmbH - Headquarters

Maybachstr. 11  
88094 Oberteuringen  
Germany

+49 (7546) 9248-0  
+49 (7546) 9248-48

info@ihse.de  
www.ihse.de



## IHSE USA LLC

1 Corporate Drive  
Cranbury, NJ 08512  
United States

+1 (732) 738 878 0

info@ihseusa.com  
www.ihseusa.com

## IHSE GmbH Asia Pacific Pte Ltd

158 Kallang Way, #07-13A  
Singapore 349245

+65 (6841) 470 7

info@ihseapac.com  
www.ihseapac.com

## IHSE France

Catherine Berriat  
Paris  
France

+33 (678) 478 822

catherine.berriat@ihse.de  
www.ihse.de

## IHSE Israel

Yehuda Levin  
Shoham  
Israel

+972 (544) 320 768

levin.yehuda@ihse.de  
www.ihse.de