



Affordable Spas and Pools, Inc
 4343 Main Street
 Springfield, OR 97478
 Phone: 541-744-5908
 Email: AffordableSpas@comcast.net

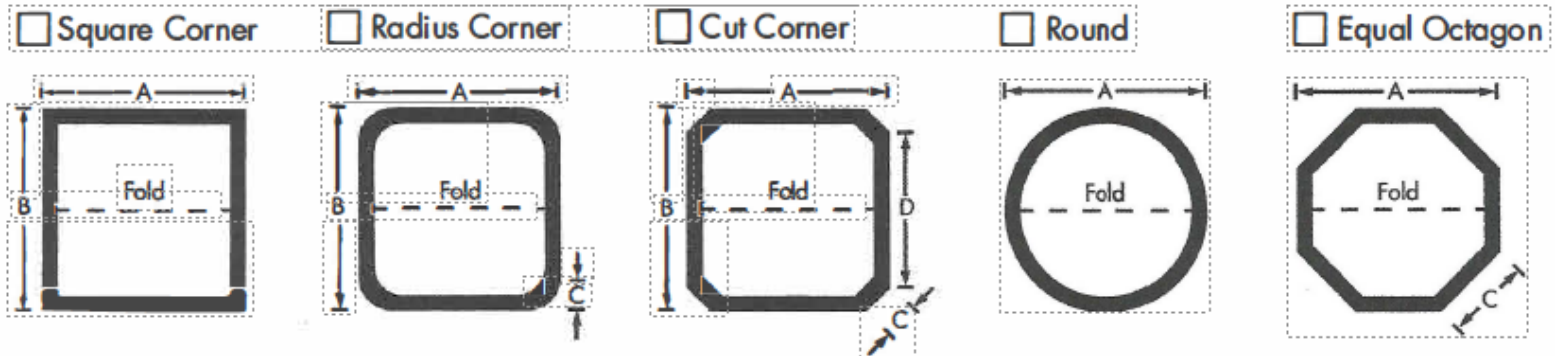
Name: _____
 Address: _____
 Phone #: _____ Email: _____
 Spa Make: _____
 Year: _____ Model: _____

IMPORTANT: Please Follow Carefully

1. Review all diagrams and complete all required information for **Steps 1–10**.
2. **Measure carefully**—all measurements must be recorded in **inches only** (do not use feet & inches).
3. The letter “A” represents the hinge length on all covers. Ensure it is **accurately recorded** on this form.
4. Spa covers are **custom, handcrafted items** created according to the measurements and specifications you provide. **The manufacturer cannot be held responsible for errors or omissions** in measurements and **will not accept returns** due to incorrect specifications.

Double-check all measurements before submitting this form. Accuracy is essential.

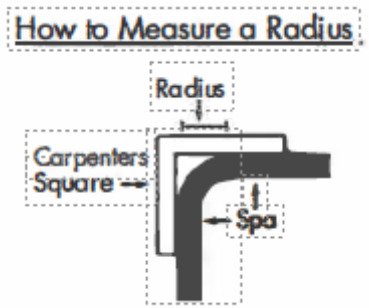
1. Check your style of cover or draw on the back of this form. “A” is ALWAYS THE HINGE LENGTH!



#2. A: _____ B: _____ C: _____ D: _____ #3. Skirt Length: _____

#4. Color: _____

#5. Foam	Outdoor:	#6. Density	#8. Vapor Barrier
	<input type="checkbox"/> 4x2	<input type="checkbox"/> 1.0 lb	<input type="checkbox"/> Double
	<input type="checkbox"/> 5x3	<input type="checkbox"/> 1.5 lb	#9. Insulated Hinge
<input type="checkbox"/> 6x4	<input type="checkbox"/> 2.0 lb	<input type="checkbox"/> Yes	
Under Cover:	#7. Locks	#10. Cover Lift Prep	
<input type="checkbox"/> 3x2 (1.0 lb NA)	<input type="checkbox"/> 4 Std ASTM	<input type="checkbox"/> Yes	
<input type="checkbox"/> 4x3	<input type="checkbox"/> 2		
	<input type="checkbox"/> None		
	<input type="checkbox"/> Other: _____		



Customer Signature: _____
 Order Date: _____ PO # _____ Sales Person: _____