

Dual Filter OW

20 MM (¾")–200 MM (8")



Airpel Series

Dual Filter OW

20 mm (¾")–200 mm (8")

For applications where the requirement is for continuous flow with minimum loss of pressure, the dual filter OW provides quality of design and performance.

The filter is of cast construction and incorporates two chambers each containing a high quality stainless steel basket. Flow is diverted from one basket to the other without interruption by turning the handle, which rotates dual cylindrical cocks, delivering the flow to the appropriate chamber.

MAIN FEATURES

- Simple changeover operation requires infrequent maintenance.
- Compact design.
- Large filtration areas giving low-pressure drops.
- Working pressures up to 50 bar (A300 Series).
- Quick release filter covers and knobs for easy maintenance.
- No contamination between filtered and unfiltered liquids.
- Wide range of materials, sizes and accessories.
- Filtration down to 10 microns.
- Handle covers chamber in use — preventing accidental opening of pressurised chamber.
- Differential pressure indicators as optional extras.

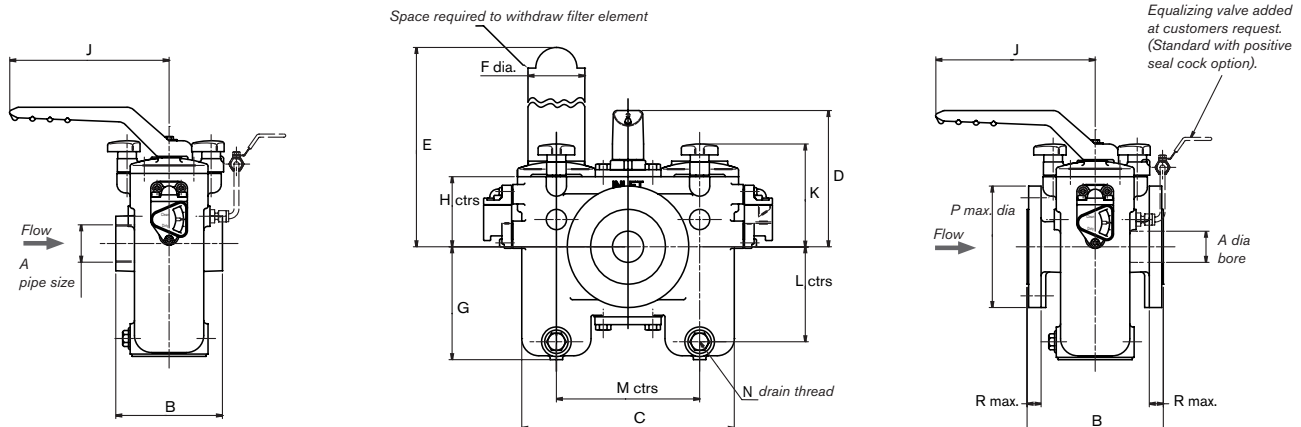
THREADED BSP OR NPT (SIZES IN MM)

A PIPE SIZE	B	C	D	E	F	G	H	J	K	L	M	N	ELEMENT AREA	WEIGHT (CAST IRON)
20 (¾")	120	282	149	220	73	105	64	205	103	86	170	½" BSP	184 CM ²	13 KG
25 (1")	120	282	149	220	73	105	64	205	103	86	170	½" BSP	184 CM ²	13 KG
32 (1¼")	137	295	175	306	73	145	90	205	132	122	184	½" BSP	268 CM ²	19 KG
40 (1½")	137	295	175	306	73	145	90	205	132	122	184	½" BSP	268 CM ²	19 KG
50 (2")	184	425	216	351	112	156	112	219	165	131	280	½" BSP	484 CM ²	49 KG
65 (2½")	184	425	216	351	112	156	112	219	165	131	280	½" BSP	484 CM ²	49 KG

FLANGED DRILLED BS10, BS4504, ANSI, DIN OR JIS (SIZES IN MM)

A DIA. BORE	B	C	D	E	F	G	H	J	K	L	M	N	P	R	ELEMENT AREA	WEIGHT (CAST IRON)
25 (1")	152	282	149	220	73	105	64	205	103	86	170	½" BSP	124	16	184 CM ²	16 KG
40 (1½")	175	295	175	306	73	145	90	205	132	122	184	½" BSP	156	18	268 CM ²	23 KG
50 (2")	210	425	212	351	112	156	112	219	165	131	280	½" BSP	165	20	484 CM ²	52 KG
65 (2½")	230	425	212	351	112	156	112	219	165	131	280	½" BSP	191	20	484 CM ²	53 KG
80 (3")	267	490	256	451	132	210	140	250	198	186	330	½" BSP	210	22	718 CM ²	85 KG
100 (4")	318	540	294	575	132	265	175	250	233	241	380	½" BSP	230/254	24	964 CM ²	125 KG
150 (6") *	380	760	398	868	160	410	275	380	—	359	530	½" BSP	318	25	2065 CM ²	250 KG
200 (8")	570	1020	550	1210	248	520	390	500	—	472	700	½" BSP	381	30	3980 CM ²	730 KG

* Also available as a Multibasket Filter.



SPECIFICATIONS

	OW/O	OW/WB	OW/S	OW/S/WB
BODY & COVER MATERIAL	CAST IRON EN1561/EN-JL 1030	CAST IRON EN1561/EN-JL 1030	CAST STEEL EN10213-2/1.0625	CAST STEEL EN10213-2/1.0625
SLEEVE	-	GUNMETAL (BRONZE) BS1400 GRADE LG4C	-	GUNMETAL (BRONZE) BS1400 GRADE LG4C
CHANGE OVER COCKS	SG IRON EN1563 EN-JS1020	GUNMETAL (BRONZE) BS1400 GRADE LG4C	SG IRON EN1563 EN-JS1020	GUNMETAL (BRONZE) BS1400 GRADE LG4C
INTERNAL MACHINE PART	MILD STEEL BS970 220 M07	STAINLESS STEEL BS970 303 S31	MILD STEEL BS970 220 M07	STAINLESS STEEL BS970 303 S31
BASKETS	STAINLESS STEEL BS1449 316			
DRAIN PLUGS	BRASS	BRASS	STAINLESS STEEL	BRASS
VENT	STEEL	BRASS	STEEL	BRASS
SEALS	VITON® (-20°C TO +200°C)			
MAXIMUM WORKING PRESSURE	17 BAR AT 50°C		22 BAR AT 50°C	
MAXIMUM WORKING TEMPERATURE	260°C	150°C	260°C	150°C
	ALL MAXIMUM WORKING TEMPERATURES REMAIN DEPENDANT ON SEAL SELECTION			
BODY COLOUR	RED	BLUE	SILVER	SILVER

	OW/C	OW/GM	OW/SS	OW/S & SS A300 SERIES
BODY & COVER MATERIAL	CAST IRON EN1561/EN-JL 1030	GUNMETAL (BRONZE) BS1400 GRADE LG4C	STAINLESS STEEL BS1504 GRADE 316 C16	CAST STEEL EN10213-2/0.625 (S) STAINLESS STEEL BS1504 GRADE 316 C16 (SS)
SLEEVE	-			
CHANGE OVER COCKS	STAINLESS STEEL BS1504 GRADE 316 C16	GUNMETAL (BRONZE) BS1400 GRADE LG4C	STAINLESS STEEL BS1504 GRADE 316 C16	SG IRON EN1563 EN-JS1020 (S) STAINLESS STEEL BS1504 GRADE 316 C16 (SS)
INTERNAL MACHINE PART	STAINLESS STEEL BS970 303 S31	PHOSPHOR BRONZE BS1400 GRADE PBI	STAINLESS STEEL BS970 303 S31	MILD STEEL BS970 220 M07 (S) STAINLESS STEEL BS970 303 S31 (SS)
BASKETS	STAINLESS STEEL BS1449 316			
DRAIN PLUGS	STAINLESS STEEL	PHOSPHOR BRONZE	STAINLESS STEEL	STAINLESS STEEL
VENT	STEEL	BRASS	BRASS	STAINLESS STEEL
SEALS	VITON® (-20°C TO +200°C)			
MAXIMUM WORKING PRESSURE	17 BAR AT 50°C	17 BAR AT 50°C *)	22 BAR AT 50°C	50 BAR AT 50°C (S) 48 BAR AT 50°C (SS)
MAXIMUM WORKING TEMPERATURE	50°C	260°C	260°C	260°C
	ALL MAXIMUM WORKING TEMPERATURES REMAIN DEPENDANT ON SEAL SELECTION			
BODY COLOUR	RED	NATURAL	NATURAL	SILVER (S) / NATURAL (SS)

*) Gunmetal (bronze) DN 20, 25 & 40 filters are rated at 13.8 bar at 50°C

Please Note

- 1 These specifications refer to standard products. Other materials for body (e.g. monel, hastelloy) and seals (e.g. Nitrile, EP, PTFE) are available, please ask.
- 2 Working pressure is stated at 50°C. To verify suitability of this equipment above this temperature or below 0°C, please contact us for more information.
- 3 Whilst alternative seal materials e.g. Nitrile, EP, PTFE are available and can be used to offer a wide range of chemical compatibility and working temperatures up to 260°C, it is recommended that such applications are again discussed with us.

Viton is a registered trademark of DuPont Performance Elastomers.

EQUIVALENT MATERIAL SPECIFICATIONS

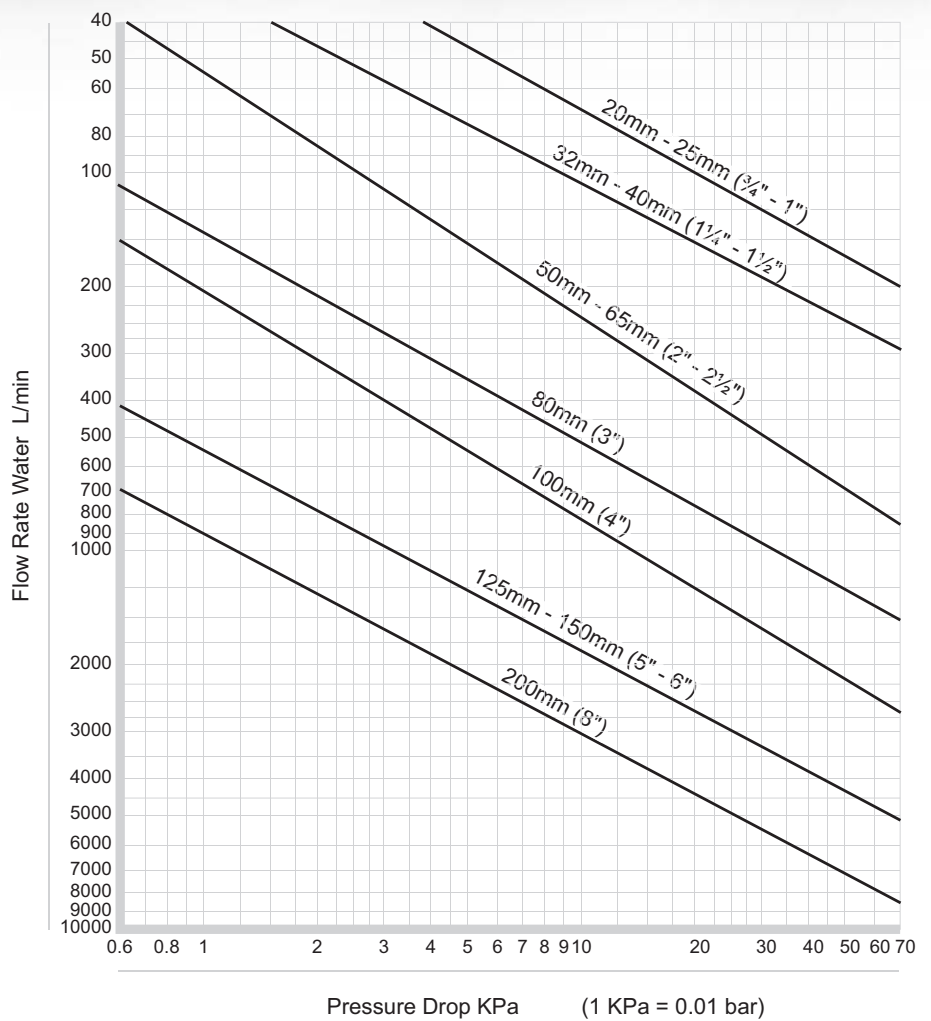
	CAST IRON	CAST STEEL	GUNMETAL (BRONZE)	STAINLESS STEEL
EUROPEAN STANDARD	BS EN1561/EN-JL 1030	BS EN10213-2/1.0625	BS 1400 GRD LG4C	BS 1504 316 C16
AMERICAN STANDARD	ASTM A48/76 CLASS 35	ASTM A216 GRADE WCB	-	ASTM A351 CF8M

Dual Filter OW

20 mm (3/4")–200 mm (8")



OW DUAL FILTER SIZING CHART



1683 ROCK HILL HWY
LANCASTER, SC 29720
USA

PH: 704-545-1440
Web: www.surefinmechanical.com
Email: info@surefinmechanical.com

SPX reserves the right to incorporate our latest design and material changes without notice or obligation.

Design features, materials of construction and dimensional data, as described in this bulletin, are provided for your information only and should not be relied upon unless confirmed in writing. Please contact your local sales representative for product availability in your region. For more information visit www.spx.com and www.airpelfilters.com.

The green ">" is a trademark of SPX Corporation, Inc..

ISSUED 05/2012 A130-EN

COPYRIGHT © 2012 SPX Corporation