

Single Filter Multibasket OV

200 MM (8")–250 MM (10")

The Single Filter Multibasket extends the range of Single Filters, specially designed to be compact and easily maintained, with basket removal easier compared to other units with similar pipe size connections.

The filter is of cast construction and is supplied with four or five high quality stainless steel cylindrical baskets depending upon the size. For use in liquid handling installations where flow can be interrupted to allow the removal of baskets for cleaning.

MAIN FEATURES

- High quality stainless steel baskets with large filtration areas resulting in low pressure drops
- Compact design for space saving.
- Working pressures up to 13.8 bar.
- Quick release filter covers and knobs for easy basket removal.



OPTIONS

- Range of extras allowing filter to be customised.
- Available in cast iron, cast steel, gunmetal (bronze or stainless steel as standard).
- Differential pressure indicators are available.

SPECIFICATIONS

	OV MULTIBASKET	OV/S MULTIBASKET	OV/GM MULTIBASKET	OV/SS MULTIBASKET
BODY & COVER MATERIAL	CAST IRON EN1561/EN-JL 1030	CAST STEEL EN 10213-2/1.0625	GUNMETAL (BRONZE) BS1400 GRADE LG4C	STAINLESS STEEL BS 1504 316 C16
MAXIMUM WORKING PRESSURE	13.8 BAR AT 50°C			
BASKETS	STAINLESS STEEL – BASKET & MESH LINING BS1449 GRADE 316 S31			
DRAIN PLUG	BRASS	STAINLESS STEEL	GUNMETAL (BRONZE)	STAINLESS STEEL
VENT	STAINLESS STEEL	STAINLESS STEEL	PHOSPHOR BRONZE	STAINLESS STEEL
STANDARD SEALS	VITON® (-20°C TO +200°C)			
BODY COLOUR	BLUE	SILVER	NATURAL	NATURAL

Viton is a registered trademark of DuPont Performance Elastomers.

Please note

- 1 These specifications refer to standard products only. Other materials for bodies (e.g. monel, hastelloy) and seals (e.g. Nitrile, EP, PTFE) are available on request.
- 2 Working pressure is stated at 50°C. To verify suitability of this equipment above this temperature or below 0°C, please contact us for more information.
- 3 Whilst alternative seal materials e.g. Nitrile, EP, PTFE are available and can be used to offer a wide range of chemical compatibility and working temperatures up to 260°C, it is recommended that such applications are again discussed with us.

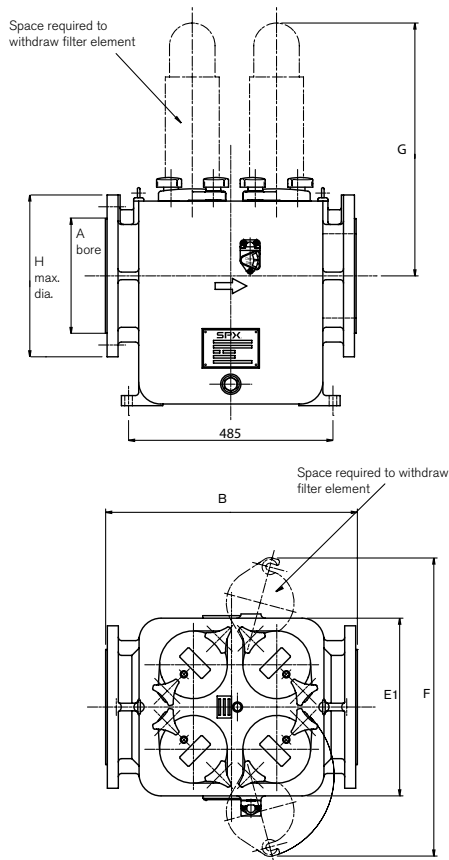
EQUIVALENT MATERIAL SPECIFICATIONS

	CAST IRON	CAST STEEL	GUNMETAL (BRONZE)	STAINLESS STEEL
EUROPEAN STANDARD	BS EN1561/EN-JL 1030	BS EN 10213-2/1.0625	BS 1400 GRD LG4C	BS 1504 316 C16
AMERICAN STANDARD	ASTM A48/76 CLASS 35	ASTM A216 GRADE WCB	-	ASTM A351 CF8M

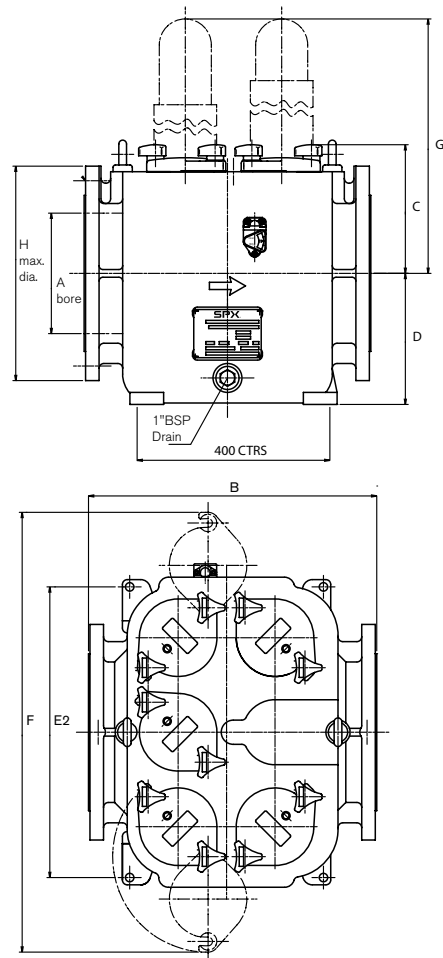
SIZES (IN MM)

	A	B	C	D	E1 E2	F	G	H	WEIGHT (CAST IRON)
200 (8")	200	595	230	308	420 (E1)	658	610	381	260 KG
250 (10")	250	595	276	272	600 (E2)	908	610	445	391 KG

200 MM (8") FILTER — 4 BASKETS



250 MM (10") FILTER — 5 BASKETS



SPX

SPX Flow Technology

Hambridge Road, Newbury, Berkshire, RG14 5TR, UNITED KINGDOM
T: +44 (0) 1635 263915 F: +44 (0) 1635 36006 E: airpel@spx.com

For more information about our worldwide locations, approvals, certifications, and local representatives, please visit www.spx.com and www.airpelfilters.com.

SPX Corporation reserves the right to incorporate our latest design and material changes without notice or obligation. Design features, materials of construction and dimensional data, as described in this bulletin, are provided for your information only and should not be relied upon unless confirmed in writing.

ISSUED 05/2012 A125-EN

COPYRIGHT © 2012 SPX Corporation