

# Dual Filter Multibasket 0W

150 MM (6")



**Airpel Series**

# Dual Filter Multibasket OW

150 mm (6")

The Dual Filter Multibasket design compliments the existing OW range by offering a high level of filtration within a small, compact physical size where space, weight and high free filtration area are key to the operator.

The filter is of cast construction and is supplied with four quality stainless steel cylindrical baskets which are fitted into the filter in a 2 (left) + 2 (right) arrangement. Just as the standard dual filter range, the construction lends itself to non-interrupted liquid flow during basket removal for cleaning.

## MAIN FEATURES

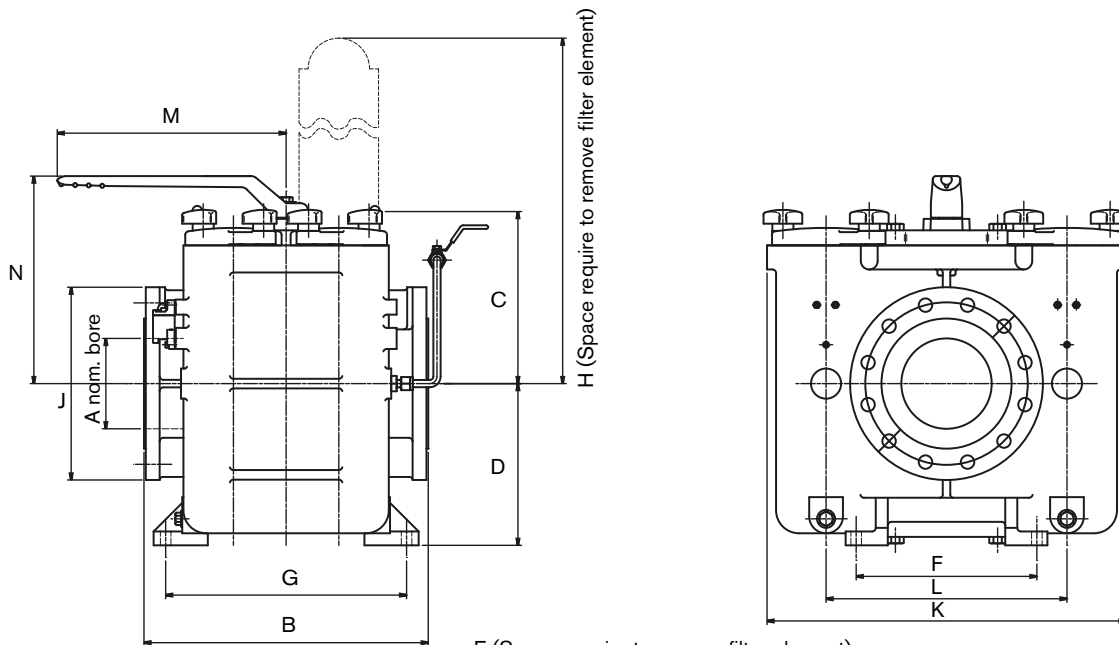
- High quality stainless steel baskets with large filtration areas resulting in low pressure drops
- Compact design for space saving
- Working pressures up to 22 bar
- Quick release filter covers and knobs for easy basket removal
- Simple changeover for uninterrupted operation

## OPTIONS

- Range of extras allowing filter to be customised
- Available in cast iron, cast steel, gunmetal (bronze) or stainless steel as standard
- Differential pressure indicators are available
- Equalisation Pressure Line as standard

## FLANGED DRILLED BS10, BS4504, ANSI, DIN OR JIS (SIZES IN MM)

A DIA. BORE	B	C	D	E	F	G	H	J	K	L	M	N	WEIGHT (CAST IRON)	BASKET AREA PER CHAMBER
150 (6")	472	286	268.5	937.5	300	400	575	320	596	400	380	344.5	250 KG	2065 CM2



## SPECIFICATIONS

	OW/O	OW/WB	OW/S	OW/S/WB
BODY & COVER MATERIAL	CAST IRON EN1561/EN-JL 1030	CAST IRON EN1561/EN-JL 1030	CAST STEEL EN10213-2/1.0625	CAST STEEL EN10213-2/1.0625
SLEEVE	-	GUNMETAL (BRONZE) BS1400 GRADE LG4C	-	GUNMETAL (BRONZE) BS1400 GRADE LG4C
CHANGE OVER COCKS	SG IRON EN1563 EN-JS1020	GUNMETAL (BRONZE) BS1400 GRADE LG4C	SG IRON EN1563 EN-JS1020	GUNMETAL (BRONZE) BS1400 GRADE LG4C
INTERNAL MACHINE PART	MILD STEEL BS970 220 M07	STAINLESS STEEL BS970 303 S31	MILD STEEL BS970 220 M07	STAINLESS STEEL BS970 303 S31
BASKETS	STAINLESS STEEL BS1449 316			
DRAIN PLUGS	BRASS	BRASS	STAINLESS STEEL	BRASS
VENT	STEEL	BRASS	STEEL	BRASS
SEALS	VITON® (-20°C TO +200°C)			
MAXIMUM WORKING PRESSURE	17 BAR AT 50°C		22 BAR AT 50°C	
MAXIMUM WORKING TEMPERATURE	260°C	150°C	260°C	150°C
	ALL MAXIMUM WORKING TEMPERATURES REMAIN DEPENDANT ON SEAL SELECTION			
BODY COLOUR	RED	BLUE	SILVER	SILVER

	OW/C	OW/GM	OW/SS	OW/S & SS A300 SERIES
BODY & COVER MATERIAL	CAST IRON EN1561/EN-JL 1030	GUNMETAL (BRONZE) BS1400 GRADE LG4C	STAINLESS STEEL BS1504 GRADE 316 C16	CAST STEEL EN10213-2/0.625 (S) STAINLESS STEEL BS1504 GRADE 316 C16 (SS)
SLEEVE	-			
CHANGE OVER COCKS	STAINLESS STEEL BS1504 GRADE 316 C16	GUNMETAL (BRONZE) BS1400 GRADE LG4C	STAINLESS STEEL BS1504 GRADE 316 C16	SG IRON EN1563 EN-JS1020 (S) STAINLESS STEEL BS1504 GRADE 316 C16 (SS)
INTERNAL MACHINE PART	STAINLESS STEEL BS970 303 S31	PHOSPHOR BRONZE BS1400 GRADE PBI	STAINLESS STEEL BS970 303 S31	MILD STEEL BS970 220 M07 (S) STAINLESS STEEL BS970 303 S31 (SS)
BASKETS	STAINLESS STEEL BS1449 316			
DRAIN PLUGS	STAINLESS STEEL	PHOSPHOR BRONZE	STAINLESS STEEL	STAINLESS STEEL
VENT	STEEL	BRASS	BRASS	STAINLESS STEEL
SEALS	VITON® (-20°C TO +200°C)			
MAXIMUM WORKING PRESSURE	17 BAR AT 50°C	17 BAR AT 50°C *)	22 BAR AT 50°C	50 BAR AT 50°C (S) 48 BAR AT 50°C (SS)
MAXIMUM WORKING TEMPERATURE	50°C	260°C	260°C	260°C
	ALL MAXIMUM WORKING TEMPERATURES REMAIN DEPENDANT ON SEAL SELECTION			
BODY COLOUR	RED	NATURAL	NATURAL	SILVER (S) / NATURAL (SS)

### Please Note

- 1 These specifications refer to standard products. Other materials for body (e.g. monel, hastelloy) and seals (e.g. Nitrile, EP, PTFE) are available, please ask.
- 2 Working pressure is stated at 50°C. To verify suitability of this equipment above this temperature or below 0°C, please contact us for more information.
- 3 Whilst alternative seal materials e.g. Nitrile, EP, PTFE are available and can be used to offer a wide range of chemical compatibility and working temperatures up to 260°C, it is recommended that such applications are again discussed with us.

Viton is a registered trademark of DuPont Performance Elastomers.

## EQUIVALENT MATERIAL SPECIFICATIONS

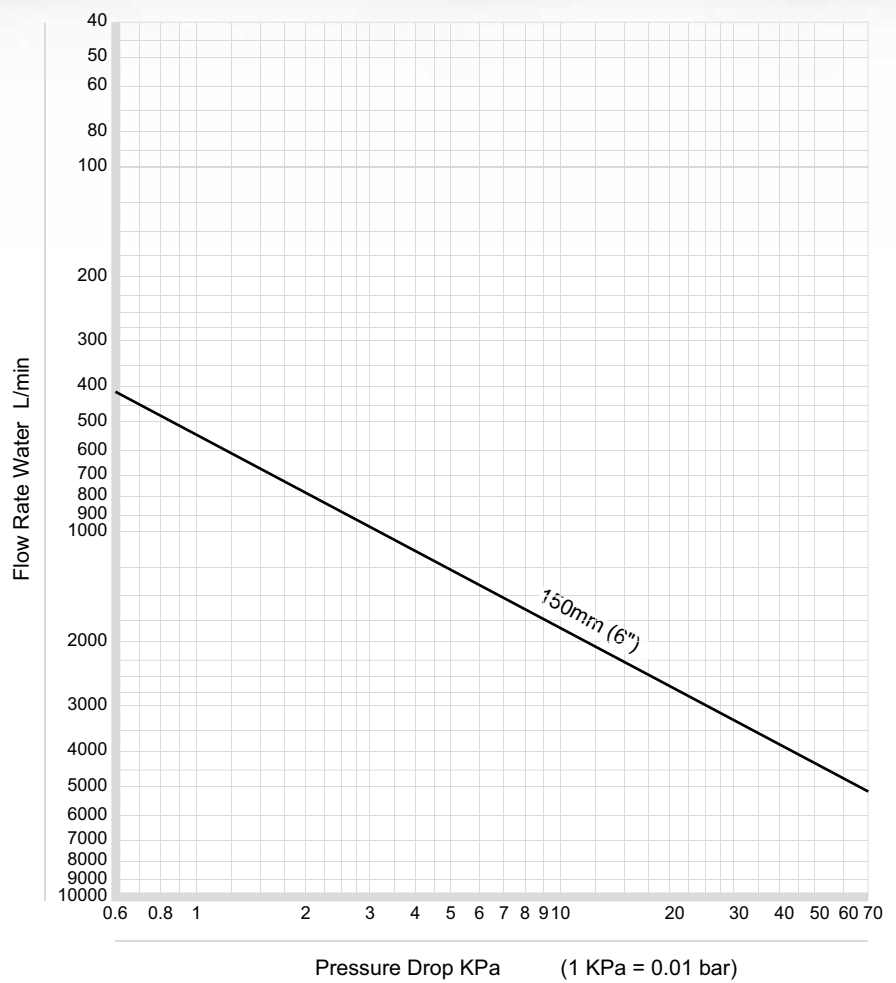
	CAST IRON	CAST STEEL	GUNMETAL (BRONZE)	STAINLESS STEEL
EUROPEAN STANDARD	BS EN1561/EN-JL 1030	BS EN10213-2/1.0625	BS 1400 GRD LG4C	BS 1504 316 C16
AMERICAN STANDARD	ASTM A48/76 CLASS 35	ASTM A216 GRADE WCB	-	ASTM A351 CF8M

# Dual Filter Multibasket OW



150 mm (6")

## OW DUAL MULTIBASKET SIZING CHART



### SPX FLOW TECHNOLOGY

Hambridge Road  
Newbury, Berkshire, RG14 5TR, UNITED KINGDOM  
T: +44 (0) 1635 263915  
F: +44 (0) 1635 36006  
E: [airpel@spx.com](mailto:airpel@spx.com)

SPX reserves the right to incorporate our latest design and material changes without notice or obligation.

Design features, materials of construction and dimensional data, as described in this bulletin, are provided for your information only and should not be relied upon unless confirmed in writing. Please contact your local sales representative for product availability in your region. For more information visit [www.spx.com](http://www.spx.com) and [www.airpelfilters.com](http://www.airpelfilters.com).

The green ">" is a trademark of SPX Corporation, Inc..

ISSUED 05/2012 A135-EN

COPYRIGHT © 2012 SPX Corporation