

SAVANT SHADES

DESIGN BY J|GEIGER

SAVANT • J | GEIGER
SHADING TECHNOLOGY



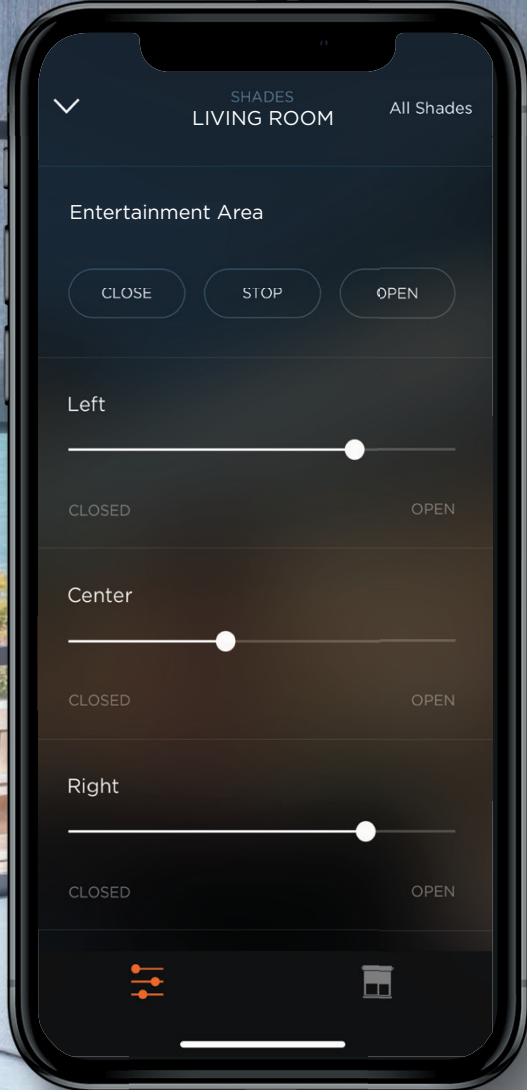


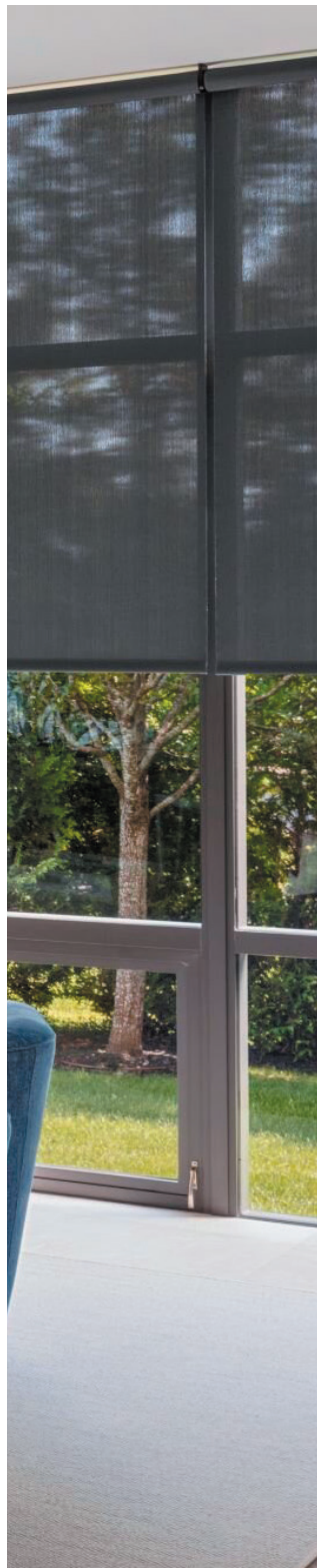
BEAUTIFUL, MINIMAL, UNPARALLELED

Savant Shades combine modern architectural aesthetics, performance fabrics and unmatched control interface options to complement any luxury space.

With Savant Shades you never have to compromise on design, no matter what stage your home is in - new construction to retrofit. Shades can be shipped assembled and ready to install, or provided in custom, bespoke configurations, all with the same minimalist look.

SAVANT

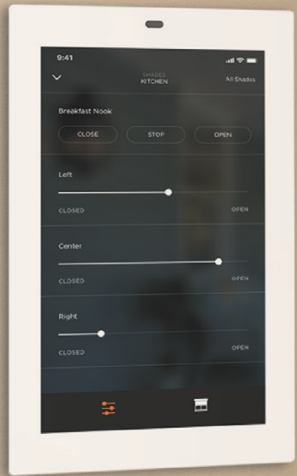




PERSONALIZED PRIVACY AND NATURAL LIGHT

Use Savant control to open or close shades across multiple rooms, a single room, or even a single shade. Schedule shades to open at a specific time of day or based on sunrise and sunset. Create a morning scene that automatically opens the shades, slowly raises the lights, adjusts temperature to a comfortable level and turns on your favorite morning show.

Controlling natural and artificial lighting in perfect harmony has never been easier.





SHADES ON EVERY INTERFACE

Savant Shades by J|Geiger has made a commitment to support universal control. Imagine the power to effortlessly command your shades with a single touch or voice command. Our intuitive Savant control systems empower you to manage natural light, privacy, and energy efficiency with unprecedented ease. Whether you prefer a sleek remote, a user-friendly app, or seamless integration with other popular smart home platforms, Savant's J|Geiger shades offer a tailored solution to fit your lifestyle.



ANSLUCENT Greater levels for privacy while still allowing sunlight.



BLACKOUT Provides total light blockage and privacy.



SHEER Diffuses light even when the shades are closed.



FABRICS FOR EVERY FINISH

Savant has teamed up with industry-leading brands to provide you with hundreds of fabric choices to meet your shading needs. Choose from a wide variety of standard, deluxe or premier options. Savant also offers quick-ship options on select fabrics.



FLEXIBLE OPTIONS

CHOOSE PRE-ASSEMBLED, QUICK INSTALLATION

Savant Inception Series Shades arrive pre-assembled and ready to install right out of the box.



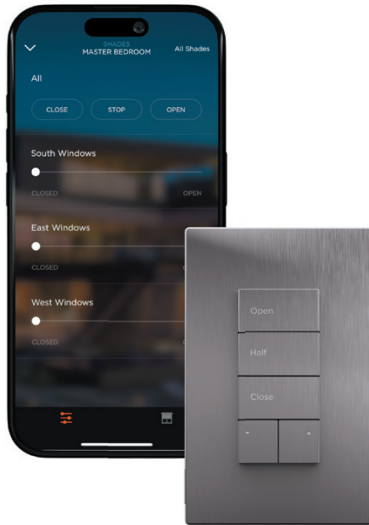


**OR COMPLETELY CUSTOMIZABLE FOR
BESPOKE ON-SITE CONSTRUCTION**

Savant R-Series Shades by J|Geiger may be custom tailored to the exacting requirements of each environment.



POWER + CONTROL OPTIONS



SMART WIRE-FREE RECHARGEABLE MOTORS

Wire-free motors are long-lasting (up to a year) and easy to charge. Motor and shade remain intact while charging, and cord connects in a snap thanks to a magnetic port. Wire-free motors can be linked to a keypad, remote, or voice-controlled hub.

SMART RF MOTORS

RF motors are wired for power and controlled wirelessly via radio frequency signal. They can be linked to a keypad, remote, app, or voice-controlled hub.

SMART WIRED MOTORS

Smart motors are wired for power and control. They offer abundant integration options and can be linked to voice-controlled hubs and home automation systems.

MANUAL SHADES

Manual shades feature chain pulls and are ideal for tight spaces where a motor may not fit.





MAXIMUM COVERAGE MINIMAL AESTHETIC

Combine multiple shades per mounting bracket for multiple windows or large curtain walls.

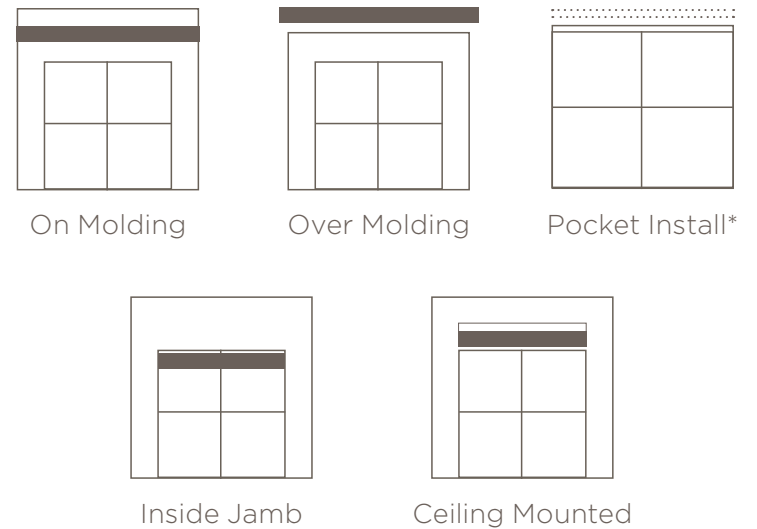
BRACKETS SUPPORT MULTIPLE SHADES



Shades Per Bracket

*Inception supports up to 4 shades per bracket,
for 5 or more shades use Savant R-Series

FLEXIBLE INSTALLATION OPTIONS



*See Negative Reveal Pocket System

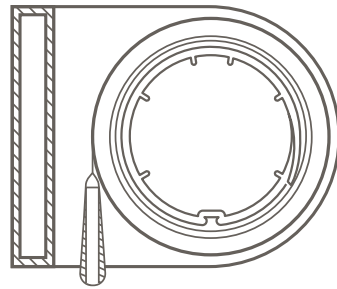
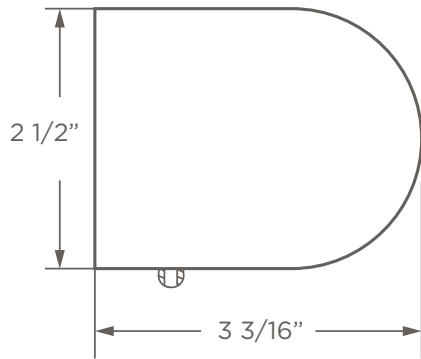




SAVANT INCEPTION SERIES SHADES

Savant Inception Shades by J|Geiger feature sleek aluminum hardware, versatile automation options—motorized and manual—and a minimalist profile without visible wires or screws. Installation is quick, easy, and unlike anything else on the market today—saving time and money without compromising functionality or style.

inception shades by J | GEIGER



Silver Aluminum

Black Aluminum

White

HARDWARE DIMENSIONS + SYSTEM OPTIONS

Hardware: Silver Aluminium, Black Aluminium or White Powder Coated Aluminium

Minimum width for single shade: 15 9/16"
(external battery pack required for wire-free shades less than 25")

Maximum width for single shade: 10'
Max total width for coupled configurations: 16'

Applications:

- Horizontal - suitable for wall or window trim with 3" flat surface
- Vertical - suitable for ceiling surface or jamb head with 3" flat surface

Power Options:

- Wired Smart or RF motor
- Wire-Free rechargeable motor
- Manual

Configurations

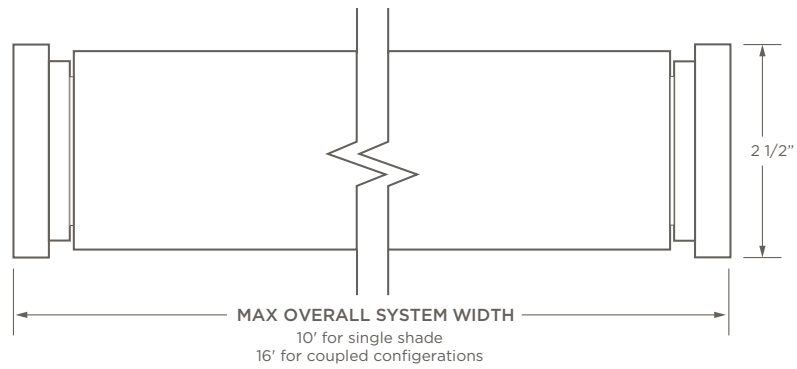
Available in 1, 2, 3, or 4 panel pre-assembled configurations

FOR SAVANT INCEPTION SERIES SHADES

INCEPTION SHADE INSTALLATION APPLICATIONS

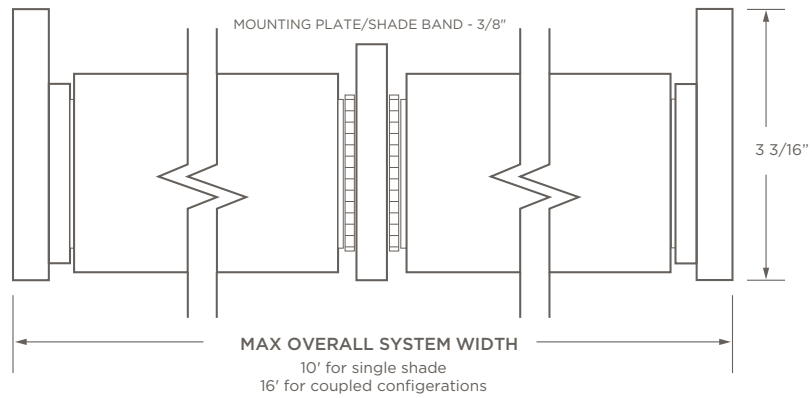
HORIZONTAL APPLICATION

(Mounting plate concealed behind shade roll)



VERTICAL APPLICATION

(Shown with optional coupler bracket)







SAVANT R-SERIES CUSTOM SHADES

Savant is proud to offer the design-forward, facia free style pioneered by J|Geiger Shading. This stylish hardware is designed to be seen. Unsightly wires and screws are concealed within the system, eliminating the need for custom-built valances or unsightly facia.

Both battery powered, wired and manual shades use the same beautiful hardware providing a consistent look for new construction or retrofit projects.

