

Profile Package



GE Profile™ ENERGY STAR® 27.7 Cu. Ft. Fingerprint Resistant French-Door Refrigerator with Hands-Free AutoFill

Approx Dimensions (HxWxD):
69 7/8 H x 35 3/4 W x 36 1/4 D

Model#: PFE28KYNFS

Fingerprint Resistant Stainless - Easily wipe away smudges and fingerprints for a look that's always sparkling clean

Hands-free Autofill - Lets you walk away while the dispenser automatically fills any container with filtered water

Full-width electronic temperature-controlled drawer with LED lights - 3 accurate settings deliver the optimal temperature for your favorite foods



GE Profile™ ENERGY STAR® Fingerprint Resistant Top Control Stainless Interior Dishwasher with Microban™ Antimicrobial Technology with Sanitize Cycle

Approx Dimensions (HxWxD):
34 H x 23 3/4 W x 24 D

Model#: PDT715SYVFS

Microban® Antimicrobial Technology - Enjoy longer-lasting dishwasher protection thanks to Microban® Antimicrobial Technology. Built into high-usage touchpoints to help prevent bacteria growth, it keeps protected surfaces 99% cleaner than unprotected surfaces

Dry Boost™ - Dry Boost™ technology outperforms standard heated-dry dishwashers by getting hard-to-dry items like plastics up to 3 times drier when compared to heated dry

Smart Features Powered by SmartHQ™ - Built-In WiFi and the SmartHQ™ app make it easy to connect, control and monitor your smart dishwasher from anywhere. You can also conveniently access the latest features, including customized cycles, remote status notifications and more



GE Profile™ 30" Smart Slide-In Electric Convection Fingerprint Resistant Range with No Preheat Air Fry

Approx Dimensions (HxWxD):
37 1/4 H x 29 7/8 W x 28.25 D

Model#: PSS93YPFS

No Preheat Air Fry - Cook healthier, crispier versions of your favorite foods in less time, thanks to an air fryer right in your oven that doesn't require preheating, a basket or a special tray

Built-In WiFi, Powered by SmartHQ App - Connect, control and manage your oven from anywhere with your smartphone or tablet (Select features require WiFi Connection) [See details](#)

GE Profile Connect + - Ensure your oven always has the latest features, like new Air Fry modes, with downloadable software upgrades

GE Profile™ 1.7 Cu. Ft. Convection Over-the-Range Microwave Oven

Approx Dimensions (HxWxD):
16 5/16 H x 29 7/8 W x 15 9/16 D

Model#: PVM9179SRSS

Air Fry - Achieve crispy, never greasy, fried food results in your oven without the oil

1.7 cu. ft. capacity - 950 Watts (IEC-705 test procedure)

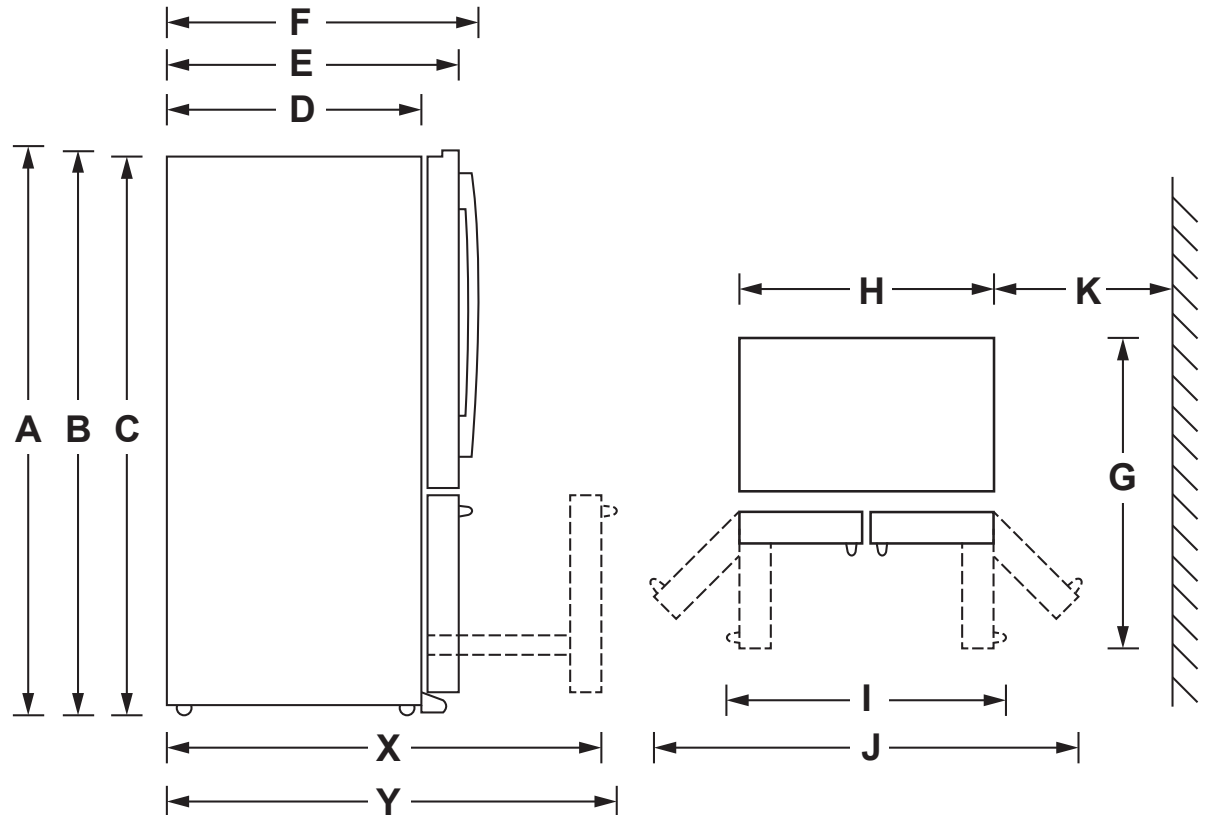
Fast Cook - Convection and microwave cooking combine to deliver fast oven-quality results

PFE28KBL/KEL/KMK/KSK/KYN

GE Profile™ Series ENERGY STAR® 27.7 Cu. Ft. French-Door Refrigerator

DIMENSIONS AND INSTALLATION INFORMATION (IN INCHES)

Height to top of door (in.) A	70-1/2
Height to top of hinge (in.) B	69-7/8
Height to top of case (in.) C	69
Case depth without door (in.) D	29-3/8
Case depth less door handle (in.) E	34-3/4
Case depth with door handle (in.) F	36-1/4
Depth with fresh food door open 90° (in.) G	48-3/8
Width (in.) H	35-3/4
Width with door open 90° with door handle (in.) I	44-5/8
Width with doors open fully (in.) J	68-1/4
Min distance between side of case and wall, in either direction, to allow doors to open fully (in.) K	16-3/8
Depth with FZ door completely open (w/o handle) (in.) X	51-7/8
Depth with FZ door completely open (w/ handle) (in.) Y	53-3/8



For answers to your Monogram, GE Café™ Series, GE Profile™ Series or GE Appliances product questions, visit our website at geappliances.com or call GE Answer Center® Service, 800.626.2000.



Listed by
Underwriters
Laboratories



As an ENERGY STAR® partner, GE has determined that this product meets the ENERGY STAR guidelines for energy efficiency.

Specification Revised 01/20

PFE28KBL/KEL/KMK/KSK/KYN

GE Profile™ Series ENERGY STAR® 27.7 Cu. Ft. French-Door Refrigerator

FEATURES AND BENEFITS

Hands-free Autofill – Lets you walk away while the dispenser automatically fills any container with filtered water

Full-width, electronic temperature-controlled drawer with LED lights – 3 accurate settings deliver the optimal temperature for your favorite foods

Second icemaker option – Always have extra ice on hand with an optional second icemaker in the freezer (IM5D kit sold separately)

TwinChill™ evaporators – Separate climates in the fresh food and freezer sections help keep foods fresh

Advanced water filtration – Reduces trace pharmaceuticals from water and ice*
(* Removes 98% of ibuprofen, atenolol, fluoxetine, progesterone and trimethoprim. These pharmaceuticals are not necessarily in all users' water)

Showcase LED lighting – Positioned throughout the interior and under fresh food doors to spotlight foods inside the refrigerator and in the freezer

Quick Space shelf – Functions as a normal full-sized shelf when needed and easily slides down for instant storage flexibility

Drop-down tray – Allows for extra door storage when you need it and tucks away when you don't

Turbo Cool setting – Drops interior temperature to maintain freshness after frequent openings

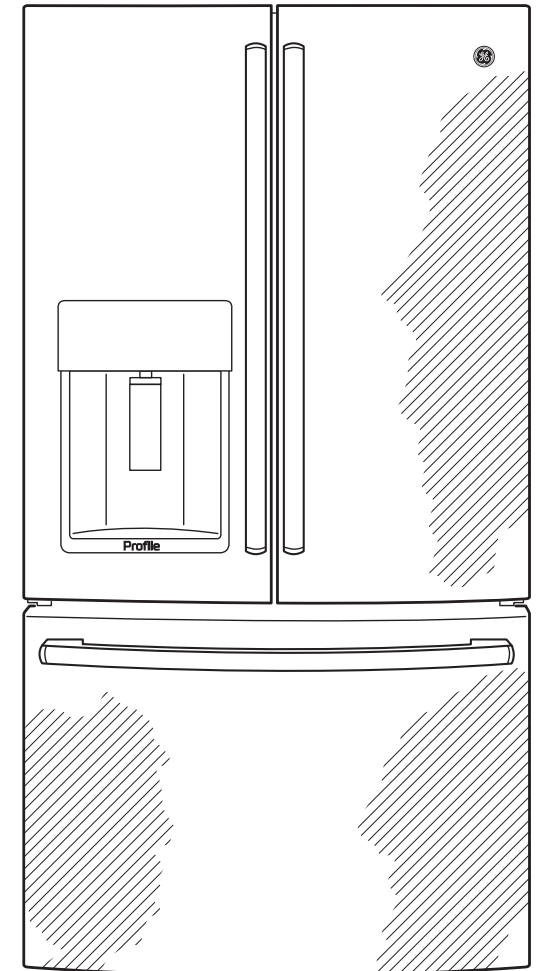
Model PFE28KBLTS – Black Stainless

Model PFE28KELDS – Black Slate

Model PFE28KMKES – Slate

Model PFE28KSKSS – Stainless steel

Model PFE28KYNFS – Fingerprint resistant stainless



As an ENERGY STAR® partner, GE has determined that this product meets the ENERGY STAR guidelines for energy efficiency.

PDT715SYV

GE Profile™ Series Stainless Steel Interior Dishwasher with Hidden Controls

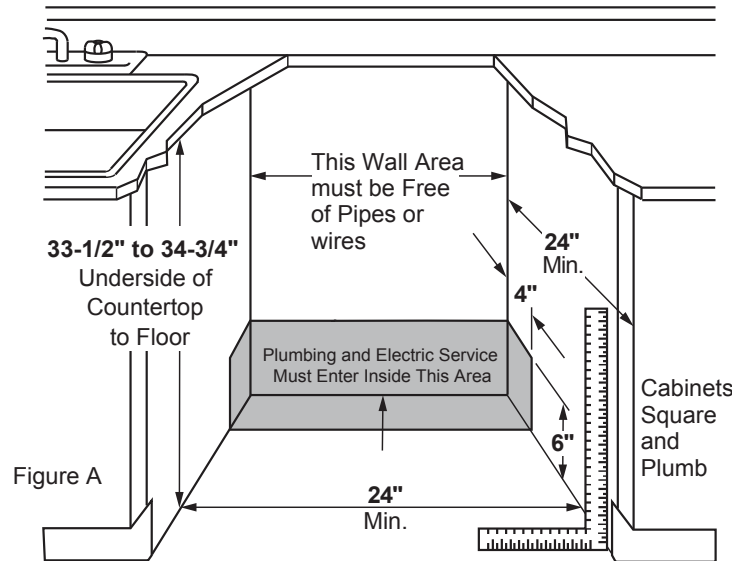
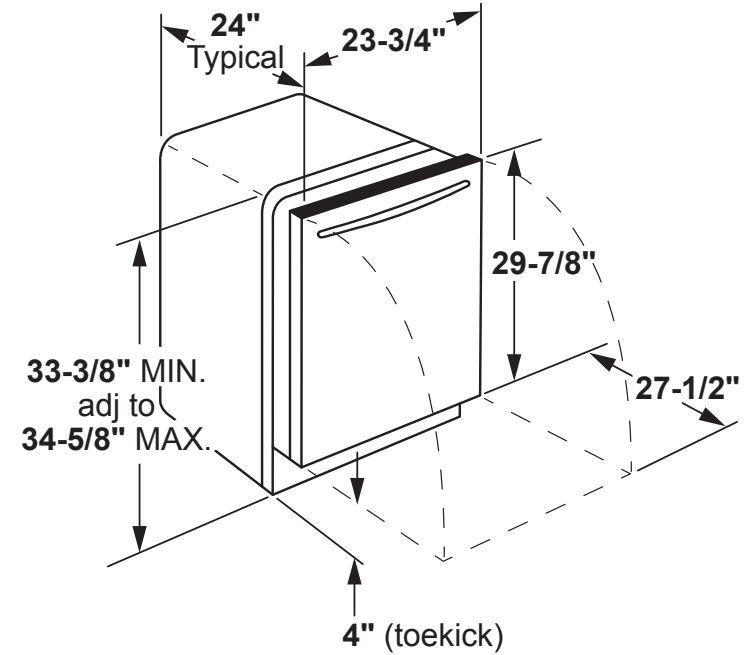
DIMENSIONS AND INSTALLATION INFORMATION (IN INCHES)

ELECTRICAL RATING

Voltage AC.....	120
Hertz.....	60
Total connected load amperage	7.8
Calrod® heater watts max.....	800/500

For use on adequately wired 120-volt, 7.8-amp circuit having 2-wire service with a separate ground wire. This appliance must be grounded for safe operation.

INSTALLATION INFORMATION: Before installing, consult installation instructions packed with product for current dimensional data.



For answers to your Monogram, Café™, GE Profile™ or GE Appliances product questions, visit our website at geappliances.com or call GE Answer Center® Service, 800.626.2000.



Listed by Underwriters Laboratories

PDT715SYV

GE Profile™ Series Stainless Steel Interior Dishwasher with Hidden Controls

FEATURES AND BENEFITS

Microban® Antimicrobial Technology – Enjoy longer-lasting dishwasher protection thanks to Microban® Antimicrobial Technology. Built into high-usage touchpoints to help prevent bacteria growth, it keeps protected surfaces 99% cleaner than unprotected surfaces.

Dry Boost™ – Dry Boost™ technology outperforms standard heated-dry dishwashers by getting hard-to-dry items like plastics up to 3 times drier when compared to heated dry.

Smart Features powered by SmartHQ™ – Built-In WiFi and the SmartHQ™ app make it easy to connect, control and monitor your smart dishwasher from anywhere. You can also conveniently access the latest features, including customized cycles, remote status notifications and more.

Smart Assist – Smart Assist makes it simple for you to unlock optimal wash and dry performance. Innovative dishwasher sensors and intelligent machine learning enhance and improve cycles over time.

Deep Clean Silverware Jets – A system of deep clean silverware jets blasts the silverware basket from the bottom up, removing all stuck-on foods and providing sparkling results.

Third Rack with Removable Silverware Caddy – The versatile third rack was redesigned to load more than just silverware with additional space for unique items.

Active Flood Protect – To prevent potential overflows, a sensor detects when the water is too high and pumps it out until a safe level is reached.

4 Bottle Wash Jets – This dishwasher with bottle jets ensures a deep clean for tall items, narrow glasses, jars and more. In the upper rack, each of the 4 bottle wash jets directs water and detergent inside to effectively wash hard-to-reach areas.

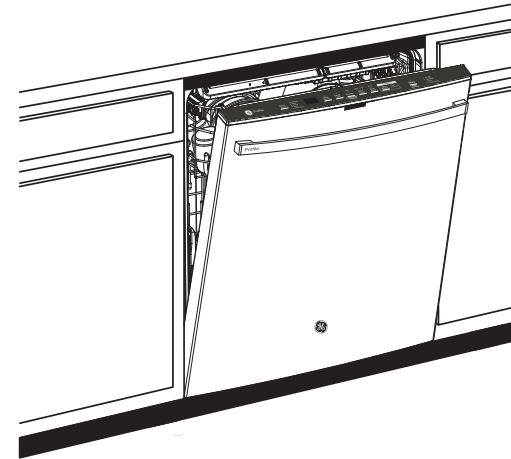
Steam + Sani – Save time with a high-temperature cycle that steams and sanitizes to loosen tough soils before the wash cycle begins, reducing bacteria by 99.999% without pre-rinsing or soaking.

Piranha™ Hard Food Disposer – The Piranha™ Hard Food Disposer lets you use your dishwasher without pre-rinsing. Its stainless steel impellers rotate to pulverize food particles and an anti-jamming design makes sure wash arms stay unclogged.

44 dBA Dishwasher – Get reliable wash performance and a deep clean without unwanted noise thanks to this super-silent 44 dBA dishwasher.

Extra-Large Capacity – Have enough space for 16 place settings and large dishware in this extra-large capacity dishwasher, making cleanup after large gatherings a breeze.

Notification Bar – Always know the status of your clean with this notification display dishwasher feature. A bright bar illuminates different colors to indicate the status of the cycle.



Model PDT715SYVFS – Fingerprint Resistant Stainless



PSS93BP/YP

GE Profile™ 30" Smart Slide-In Electric Convection Fingerprint Resistant Range with No Preheat Air Fry

DIMENSIONS AND INSTALLATION INFORMATION (IN INCHES)

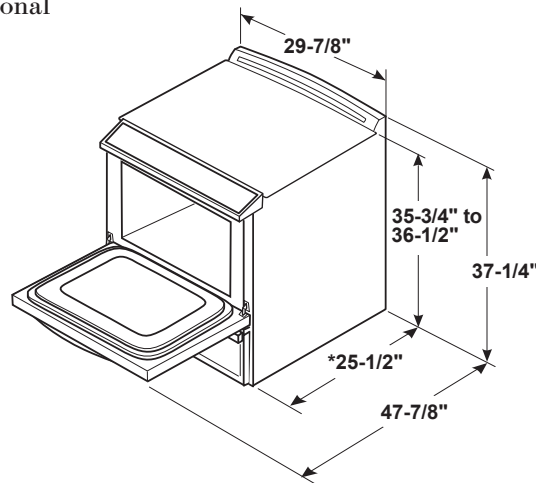
RECEPTACLE LOCATIONS: Locally approved flexible service cord or conduit must be used because terminals are not accessible after range installation. See shaded area in drawing for location of electrical outlet box. Recommended outlet locations allow range to be installed directly against rear wall.

NOTE: This appliance has been approved for 0" spacing to adjacent surfaces above the cooktop. However, a 6" minimum spacing to surfaces less than 15" above the cooktop and adjacent cabinet is recommended to reduce exposure to steam, grease splatter and heat.

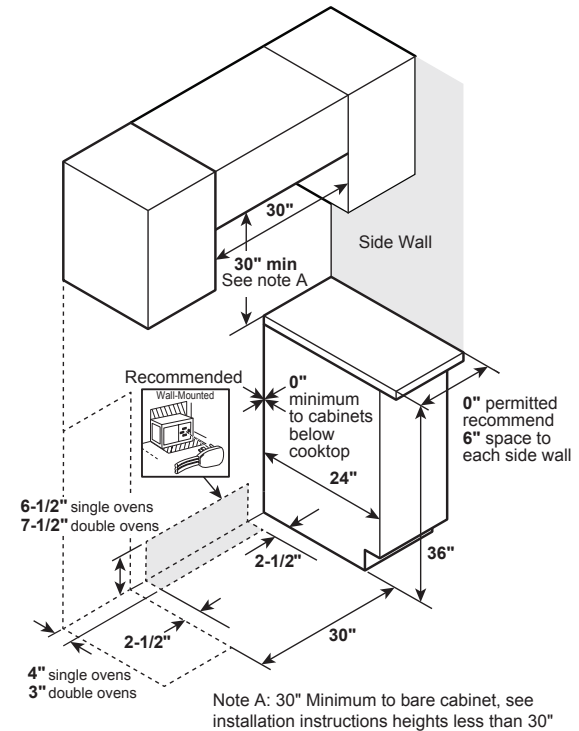
INSTALLATION INFORMATION: Before installing, consult installation instructions for current dimensional data and additional requirements

KW RATING	
240V	15.5
208V	11.6
BREAKER SIZE	
240V	40 Amps [†]
208V	40 Amps [†]

†NOTE: Check local codes for required breaker size.



*Depth including door handle is approximately 28".



Note A: 30" Minimum to bare cabinet, see installation instructions heights less than 30"



For answers to your Monogram, GE Café™, GE Profile™ or GE Appliances product questions, visit our website at geappliances.com or call GE Answer Center® Service, 800.626.2000.



Specification Revised 8/21

PSS93BP/YP

GE Profile™ 30" Smart Slide-In Electric Convection Fingerprint Resistant Range with No Preheat Air Fry

FEATURES AND BENEFITS

No Preheat Air Fry – With this air fryer right in the oven, you can cook healthier, crispier versions of your favorite foods. There's no preheat required and it shortens the cook time because every minute counts.

Built-in WiFi – This smart oven features built-in WiFi so you can control oven functions with the SmarthQ app on your smart device.

Fingerprint Resistant Stainless – A stainless finish that makes it easy to keep your appliances free of smudges and prints.

Fit Guarantee – This electric convection range will fit your existing 30" cut-out, or GE Appliances will help pay for modifications up to \$300.

12"/9"/6" Power Boil element – A power boiler produces concentrated heat for rapid boiling in a flexible 12-inch/9-inch/6-inch burner size, so you spend less time waiting and more time cooking.

Synchronized elements – Control two cooktop elements with a single button to create a bigger cooking surface for griddles.

Touch controls – Glide touch controls let you control the cooktop with the swipe of a finger and are easy to clean thanks to seamless integration.

Synchronized clocks and lights – Synchronize your oven and GE Appliances over-the-range microwave so that clocks are always matching and lights and ventilation automatically come on when a burner is activated with Chef Connect.

True Convection with Precise Air – This oven features True Convection, an advanced convection system that uses a third heating element and reversing fan for the highest level of heat and air circulation.

Soft-close storage drawer – A full-width drawer closes silently and softly at a touch, and provides space for kitchen storage.

Fast preheat – Preheat the oven quickly and cut down on preheat time with a speedy preheat feature.

Steam clean – A steam cleaning option cleans the oven cavity in a 30-minute cycle with less odor and heat.

Model PSS93BPTS – Black stainless

Model PSS93YPFS – Fingerprint Resistant Stainless Steel



PVM9179SR/ER/BR/FR/DR

GE Profile™ Series 1.7 cu. ft. Convection Over-the-Range Microwave Oven with Air Fry

DIMENSIONS AND INSTALLATION INFORMATION (IN INCHES)

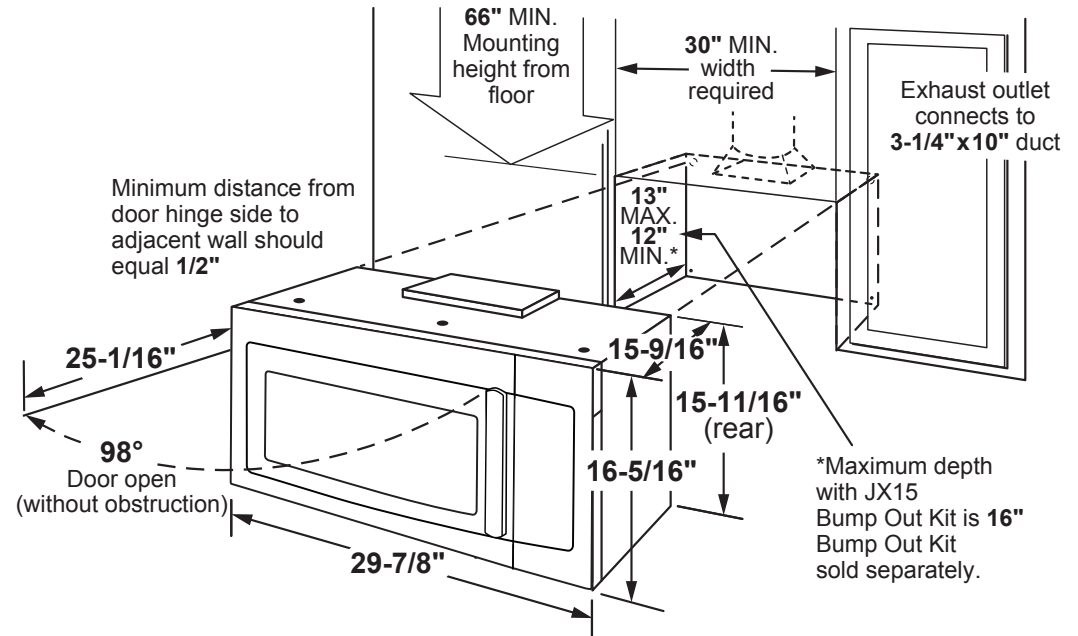
NOTE: Requires 120V grounded outlet. Electrical receptacle must be located in cabinet above microwave oven. No additional wiring, venting or cabinet rebuilding necessary in many cases. Complete detailed, easy-to-follow installation instructions and convenient full-size templates are packed with the microwave oven.

IMPORTANT INFORMATION: When installing the microwave oven over a range, allow minimum of 2" from bottom of microwave oven to top of range backguard to allow for removal of light covers.

VENTILATION OPTIONS: The microwave ovens are designed for adaptation to the following three types of ventilation:

- Outside exhaust (vertical – as shown)
- Outside exhaust (horizontal)
- Recirculating (non-vented ductless – see Filter Kit drawing)

INSTALLATION INFORMATION: This information is not intended to be used for installing unit described. Before installing, consult installation instructions packed with product/kit for current dimensional data.



For answers to your Monogram, GE Café™, GE Profile™ or GE Appliances product questions, visit our website at geappliances.com or call GE Answer Center® Service, 800.626.2000.



Specification Revised 10/21

PVM9179SR/ER/BR/FR/DR

GE Profile™ Series 1.7 cu. ft. Convection Over-the-Range Microwave Oven with Air Fry

DIMENSIONS AND INSTALLATION INFORMATION (IN INCHES)

HOOD EXHAUST DUCT: Outside ventilation requires a HOOD EXHAUST DUCT. Read the following carefully.

EXHAUST CONNECTION: The hood exhaust has been designed to mate with a standard 3-1/4" x 10" rectangular duct. If a round duct is required, a rectangular-to-round transition adaptor must be used. Do not use less than a 6" diameter duct.

REAR EXHAUST: If a rear or horizontal exhaust is to be used, care should be taken to align exhaust with space between studs, or wall should be prepared at the time it is constructed by leaving enough space between the wall studs to accommodate exhaust.

MAXIMUM DUCT LENGTH: For satisfactory air movement, the total duct length of 3-1/4" x 10" rectangular or 6" diameter round duct should not exceed 140 equivalent feet.

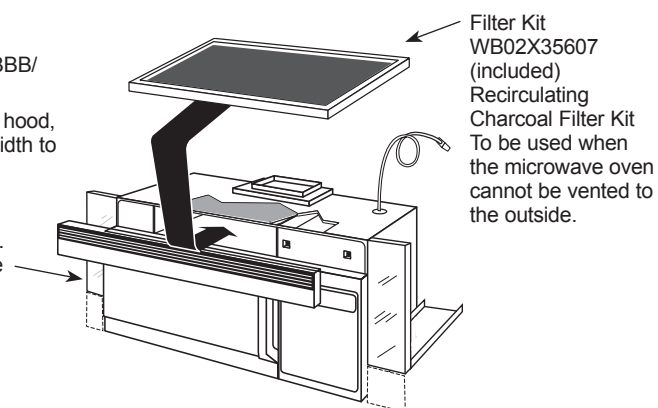
ELBOWS, TRANSITIONS, WALL AND ROOF CAPS, etc., present additional resistance to airflow and are equivalent to a section of straight duct which is longer than their actual physical size. When calculating the total duct length, add the equivalent length of all transitions and adaptors plus the lengths of all straight duct sections. The chart below shows the approximate feet of equivalent length of some typical ducts.

DUCT	EQUIVALENT FEET
A. Rectangular-To-round Transition Adaptor	5 ft.
B. Wall Cap	40 ft.
C. 90° Elbow	10 ft.
D. 45° Elbow	5 ft.
E. 90° Elbow	25 ft.
F. 45° Elbow	5 ft.
G. Roof Cap	24 ft.

OPTIONAL ACCESSORIES

Filler Panel Kits JX36BWW/BBB/
BSS/BES/BDS

When replacing a 36" range hood, this kit fills in the additional width to provide a custom built-in appearance. For installation between cabinets only; not for end-of-cabinet installation. Each kit contains two 3"-wide filler panels.



PVM9179SR/ER/BR/FR/DR

GE Profile™ Series 1.7 cu. ft. Convection Over-the-Range Microwave Oven with Air Fry

FEATURES AND BENEFITS

Air Fry – Achieve crispy, never greasy, fried food results in your oven without the oil

1.7 cu. ft. capacity – 950 Watts (IEC-705 test procedure)

Fast Cook – Convection and microwave cooking combine to deliver fast oven-quality results

Sensor cooking controls – Automatically adjusts time and power for delicious cooking results

Chef Connect – Three options with a single touch. For instant convenience, choose when to automatically sync clocks and the range elements with the microwave's surface light and vent

LED cooktop lighting – Brighten the kitchen while saving on energy and maintenance costs

Stainless steel interior – Makes cleaning spills and splatters a snap

Convection rack – Achieve golden-brown results with a specially designed rack that allows air to circulate around foods for even heat distribution during convection cooking

Upfront charcoal filter with indicator light – Light indicates when odor-removing charcoal filter needs to be replaced

Removable oven rack – Full-width cooking rack allows for multi-level cooking simultaneously, allowing you to cook large quantities of your family's favorites

Three-speed, 300-CFM venting system – Removes smoke, steam and odors

My Cycle - Create a custom cook time setting, and with one touch, cook your favorite dish just the way you like

Convection cooking – Choose this setting when baking or browning is desired

Model PVM9179SRSS – Stainless steel

Model PVM9179FRDS – Black slate

Model PVM9179ERES – Slate

Model PVM9179DRBB – Black

Model PVM9179BRTS – Black Stainless

Model PVM9179DRWW – White

