

Advanced Rooftop Controls I/O_12

MBus_io12_LCD: Programmable Modbus I/O Device with LCD Display

Description:

This full-featured programmable thermostat is specifically designed by our engineers for full compatibility with the MBus_ioFlash software.

It provides unique features, full programmability, easy Modbus integration, all at one of the best performance/price ratio available on the market.

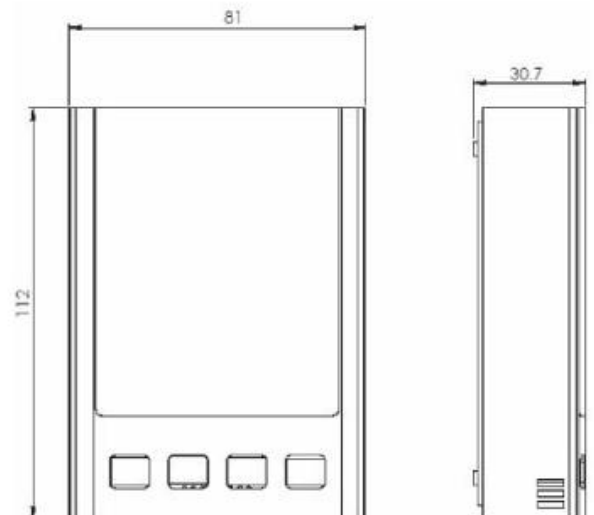
Highlights:

- Licensed for the MBus_ioFlash software.
- High impact plastic enclosure, provides durability in commercial environments
- 8 AI, 4 AO, 4-20mA option, 5 relays
- Real Time Clock
- Photo cell (measures ambient light)



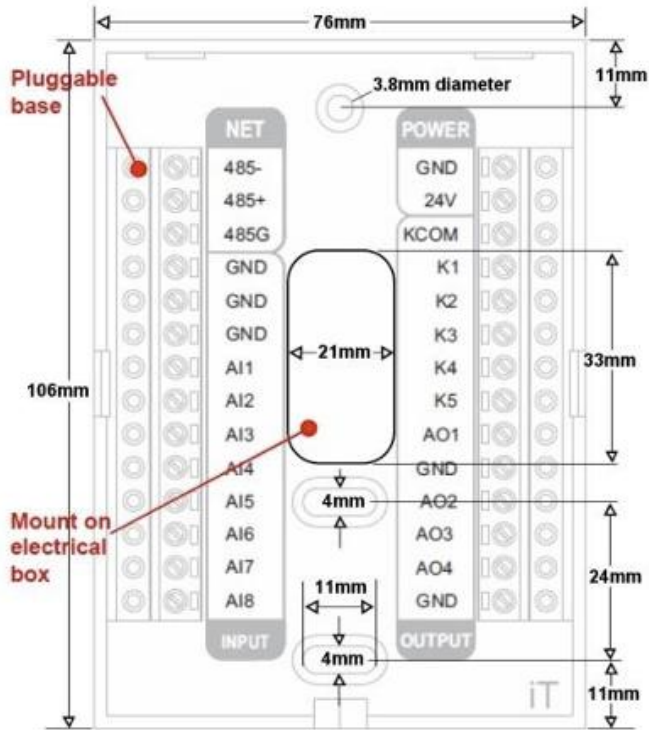
Technical data:

General.....	5 relays x 2amps @24V, 8 analog inputs, 4 analog outputs (10V @50ma), jumper selectable 4-20mA option
Operating temperature.....	-30-70°C(-22~158°F)
Supply voltage.....	12~24VAC/DC ±20%, 50-60Hz
Power consumption.....	100mA at 12VDC
Relay contacts rating.....	2A @ 24VDC, 1A @ 24VAC UL File No.: E43149 CSA File No.: LR26550
Ambient humidity.....	10-90 %Rh
Operating Environment.....	0 ~ 99% humidity non condensing
Plastic Housing.....	Flammability rating UL 94V0 file E194560
Enclosure rating.....	IP31
Temperature sensor.....	10K thermistor ±0.5°C
Photo cell.....	measures ambient light
Programmable momentary push-button	
Colour.....	White/Off-white
Weight	200g

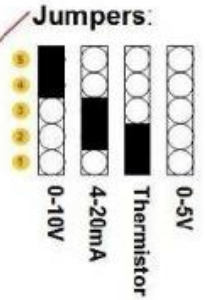


I/O Data Sheet

Base Layout and Dimensions



PCB View and Jumper Settings



Wiring Diagram:

