

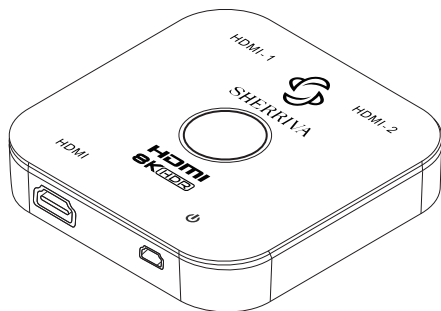


SHERRIVA

HDMI 2.1 8K Bi-Directional Switch

Incorporates HDMI® technology

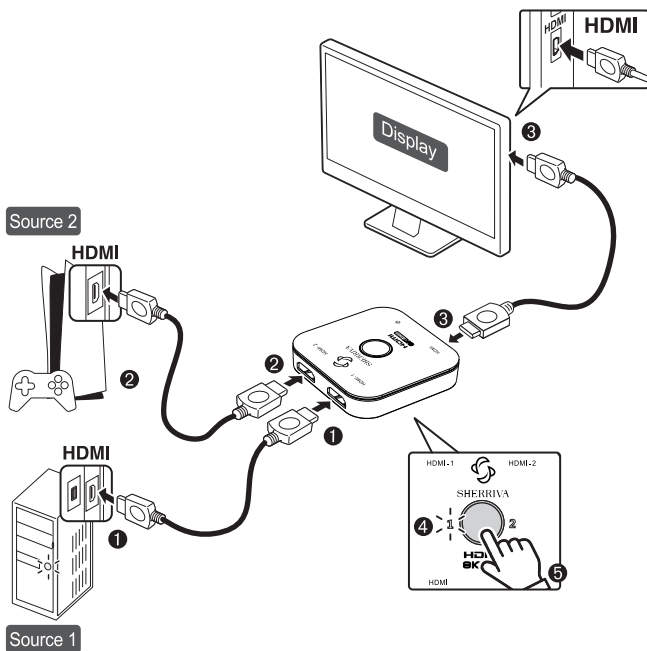
- 8K@60 / HDR / 4K@165,144,120
- Switch (2x1) / Splitter (1x2)
- HDMI 2.1(8K) / HDCP 2.3



UHD-2180

QUICK START GUIDE


Switch mode : 2 to 1



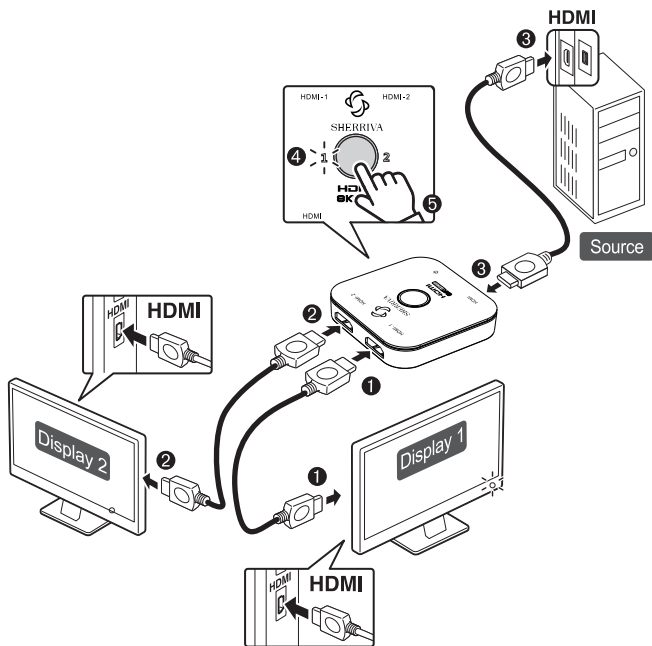
[Switch Mode]

- Step 1. Connect the HDMI cable from the first source to the input port **HDMI-1** of the Bi-directional switch.
- Step 2. Connect the HDMI cable from the second source to the input port **HDMI-2** of the Bi-directional switch.
- Step 3. Connect the HDMI cable from your display to the output port **HDMI** of the Bi-directional switch.
- Step 4. After you finish the connection, input indication LED (white) will be lighted on.
- Step 5. Press the select button to switch between two input sources, and the indication LED will lit on corresponding port.

NOTE :

- * **HDMI cable not included.**
- * **For transmissions 8K@60 or 4K@120 or above signal, please use an HDMI 2.1 UHS certified cable.**
- * **When your source HDMI cable power is low, you can provide additional power through Micro USB ( DC 5V).**


Splitter mode : 1 to 2



[Splitter Mode]

- Step 1. Connect the HDMI cables from the first display to the output port **HDMI-1** of the Bi-directional switch.
- Step 2. Connect the HDMI cables from the second display to the output port **HDMI-2** of the Bi-directional switch.
- Step 3. Connect the HDMI cable from your source to the input port **HDMI** of the Bi-directional switch.
- Step 4. After you finish the connection, indication LED (white) will be lighted on.
- Step 5. Press the select button to switch between two displays, and the indication LED will lit on corresponding port.

NOTE :

- * **Only one monitor is displayed.**
- * **HDMI cable not included.**
- * **For transmissions 8K@60 or 4K@120 or above signal, please use an HDMI 2.1 UHS certified cable.**
- * **When your source HDMI cable power is low, you can provide additional power through Micro USB ( DC 5V).**


INTRODUCTION

UHD-2180 is an HDMI 2.1 version 8K switcher, equipped to transfer 4K high frame rate to e-sports monitor.

Lightweight appearance. Easier to use in E-sports environments.

Built- in bi-directional function, you can connect 2 sources to one display and switch among the sources.

In addition, it can also assign one source to display and you can select the source to be displayed any of them (the 2 outputs cannot work simultaneously).

When your source HDMI cable power is low, you can provide additional power through Micro USB ( DC 5V).

FEATURES

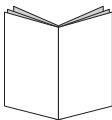
- HDMI 2.1(8K) standard
- Bi-Directional function: Switch mode: 2 to 1
 Splitter mode: 1 to 2
- Supports 8K@60Hz
- Supports 4K@165, 144, 120, 60 Hz
- Supports HDR
- Two power supply methods (1). Power by HDMI
 (2). Micro USB power supply
- Supports Dolby Atmos by HDMI
- Supports CEC
- Supports Video Data Rate 48Gbps
- HDCP 2.3 compliant
- Plug and play, no audio and video delay
- Manual control

PACKAGE CONTENTS

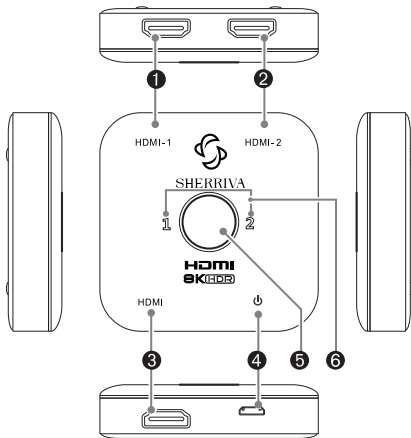
1. UHD-2180 Switch x 1



2. User manual

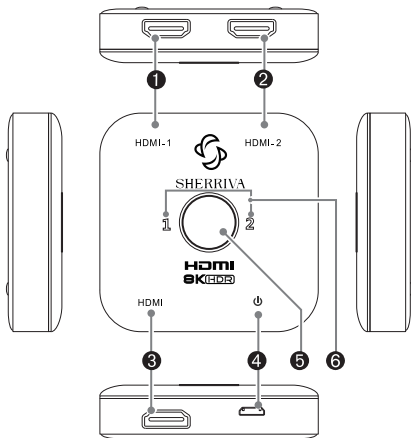


PRODUCT OVERVIEW- SWITCH MODE



No.	Name	Description
1	HDMI Input 1	HDMI signal input port. Connect HDMI source devices like PS5, Xbox, etc.
2	HDMI Input 2	
3	HDMI output	HDMI signal output port. Connect to display devices like monitors, TV, etc.
4	DC 5V (Micro- USB)	When the HDMI cable power from your source is low, you can supplement it with Micro USB power.
5	Select Button	Press this button to switch between two input sources.
6	Indication LED	When the LED is lit, it shows the input source is in the corresponding port.


PRODUCT OVERVIEW- SPLITTER MODE



No.	Name	Description
1	HDMI output 1	HDMI signal output port.
2	HDMI output 2	Connect to display devices like monitors, TV, etc *Both displays cannot be active simultaneously.*
3	HDMI input	HDMI signal input port. Connect HDMI source devices like PS5, Xbox, etc.
4	DC 5V (Micro- USB)	When the HDMI cable power from your source is low, you can supplement it with Micro USB power.
5	Select Button	Press this button to switch between two output displays.
6	Indication LED	When LED lights up, corresponding display activates.

When there is no picture presented, please:

Solution :

1. Make sure the direct connection from the source to the display without this unit is working.
2. Check if all connectors are connected well; and check if all HDMI cables can support the transmission speed. UHD Certification cables are recommended.
3. Check the main unit is powered on (the light display position on the front is solid)
4. If the main unit is not powered on or there is no signal, please connect devices that support USB standard power delivery formats (e.g. TV's USB port / power adaptor)
5. The power adaptor to the Micro USB [ DC 5V] of the Bi-directional switch.

When resolution could not show in 8K.

Solution :

1. Make sure your sources and displays are fully supporting 8K.
2. Make sure your HDMI cables are capable of transmit 8K video signal.
3. Make sure used HDMI 2.1 certification HDMI cable.

SPECIFICATIONS

Bi-Directional	
Switch mode	2 inputs 1 output
Splitter mode	1 input 2 outputs
General	
HDMI Compliance	HDMI 2.1 (8K)
HDCP Compliance	HDCP 2.3
Video Data Rate	48 Gbps
Resolution (max.)	8K@60Hz (max.)
Video Format	8K@60, 4K@165 / 4K@144 / 4K@120 / 4K@60, 1080@240 / 1080@165 / 1080@144 / 1080@120 / 1080@60, HDR
Audio Format	PCM 2 / PCM 5.1 / PCM 7.1 Dolby TrueHD, Dolby 5.1 / Dolby 7.1 / Dolby Atmos
Connectivity	
HDMI-1	Type A 19-pin female
HDMI-2	Type A 19-pin female
HDMI	Type A 19-pin female
CEC	Support
Power	By HDMI / Micro USB

*Specification subject to change without further notice.

NOTICE

- Manufacturer reserves the right to make changes in the hardware, packaging and any accompanying documentation without prior written notice.

HDMI®

HIGH-DEFINITION MULTIMEDIA INTERFACE

- The terms HDMI, HDMI High-Definition Multimedia Interface, HDMI Trade dress and the HDMI Logos are trademarks or registered trademarks of HDMI Licensing Administrator, Inc.
- UHD-2180 incorporates HDMI® technology.
- Dolby is a registered trademark of Dolby Laboratories.
- DTS is a registered trademark & the DTS logos and Symbol are trademarks of DTS, Inc.
- PS5 is a trademark of Sony Computer Entertainment Inc.