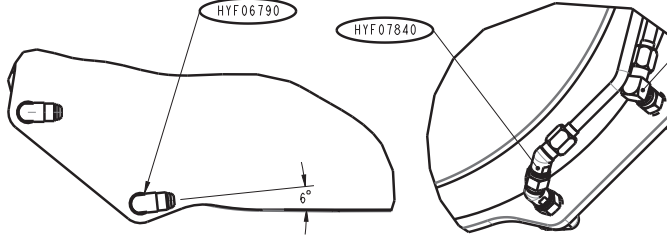
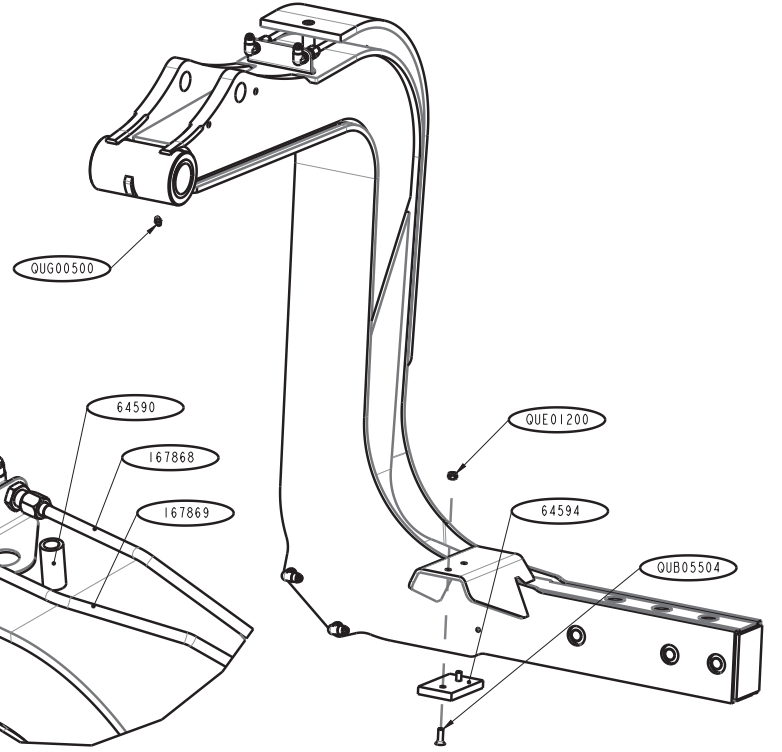
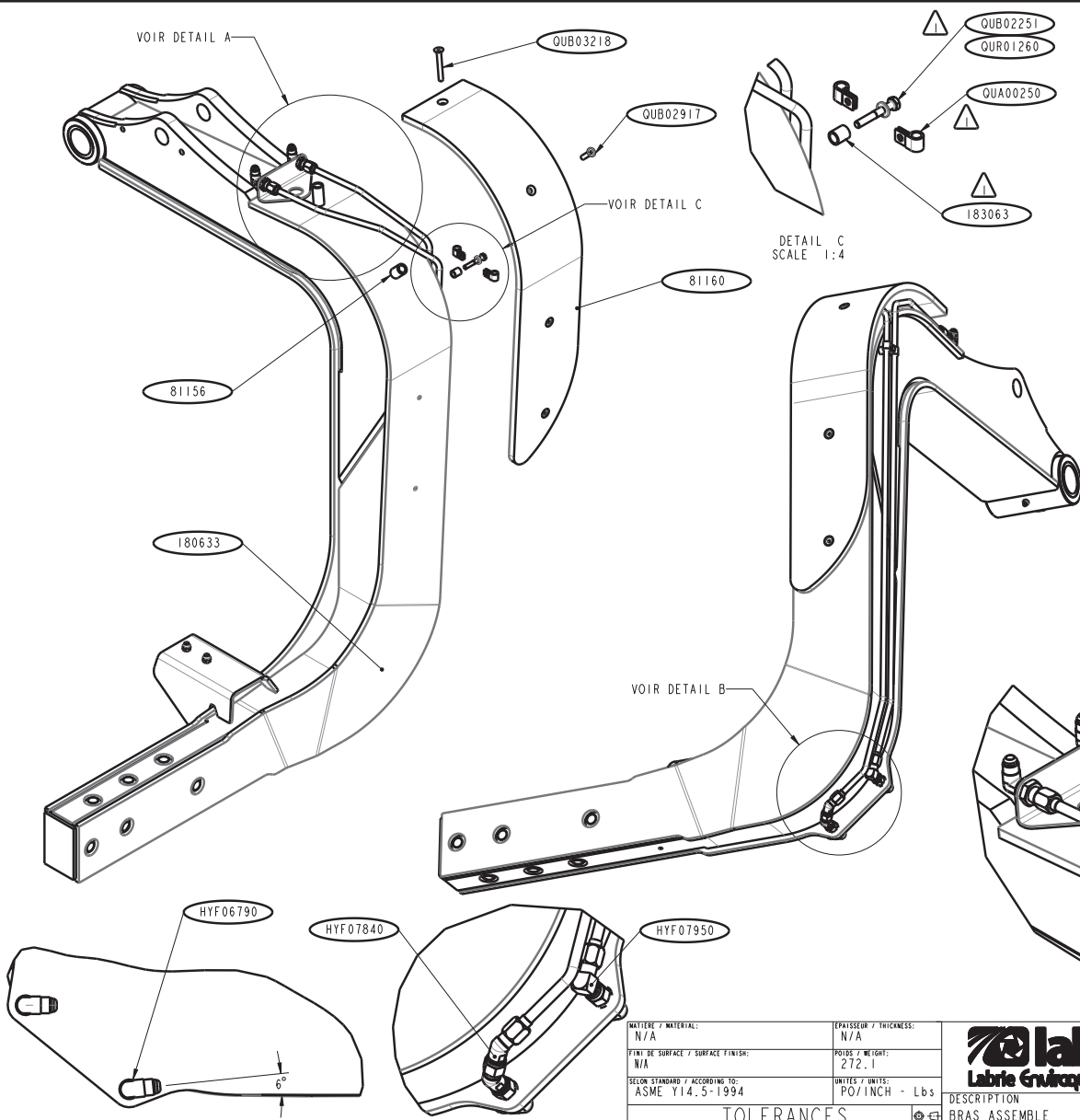


ITEM QTY/UNIT		UNIT	NO PIÈCE/PART NO	DESCRIPTION	NO REF/REF NO	MATÉRIEL/MATERIAL	POIDS/WEIGHT
1	1	UN	64590	TUYAU SUPPORT PLASTIQUE	N/A	STEEL C-1018 CR	0.1
2	1	UN	64594	PAD UHMW	N/A	BLACK UHMWPE	0.1
3	1	UN	81156	TUYAU SUPPORT PLASTIQUE	N/A	STEEL C-1018 CR	0.0
4	1	UN	81160	PROTECTEUR	N/A	BLACK HDPE	3.0
5	1	UN	167868	TUYAU HYDRAULIQUE RIGIDE BRAS	N/A	N/A	0.8
6	1	UN	167869	TUYAU HYDRAULIQUE RIGIDE BRAS	N/A	N/A	0.9
7	1	UN	180633	LEVIER ASSEMBLE-BRAS HELPING HAND	N/A	N/A	265.4
8	1	UN	183063	ESPACEUR ROND	N/A	N/A	0.0
9	4	UN	HYF06790	ADPH 90 06J1CMB X 06J1CM	N/A	N/A	0.4
10	2	UN	HYF07840	ADPH 45 06J1CFS X 06J1CM	N/A	N/A	0.2
11	1	UN	HYF07950	ADPH 90 06J1CFS X 06J1CM	N/A	N/A	0.1
12	2	UN	QUA00250	ACC STD 0.375D1 X 0.250DP	N/A	N/A	0.0
13	1	UN	QUB02251	BP 0.250NCX 1.75SG SP A1 SF	N/A	N/A	0.0
14	3	UN	QUB02917	BP 0.313NC X 1.25 G5 FP SC	N/A	N/A	0.0
15	1	UN	QUB03218	BP 0.313NC X 2.50 S6 FP SC AC SF	N/A	N/A	0.0
16	2	UN	QUB05504	BP 0.313NC X 1.00 S6 FP SC	N/A	STEEL	0.0
17	2	UN	QUE01200	EGN 0.313NC X 0.502 G05	N/A	N/A	0.0
18	1	UN	QUG00500	GRAIS 00.00 .250-28NFT	N/A	N/A	0.0
19	1	UN	QUR01260	RR 0.250RFH 0.468X0.062 AC PZ	N/A	N/A	0.0



MATÉRIEL / MATERIAL: N/A	ÉPAISSEUR / THICKNESS: N/A
FINI DE SURFACE / SURFACE FINISH: N/A	POIDS / WEIGHT: 272.1
SECON STANDARD / ACCORDING TO: ASME Y14.5-1994	UNITES / UNITS: PO/INCH - Lbs
TOLERANCES	
À MOINS D'INDICATIONS CONTRAIRES / UNLESS OTHERWISE SPECIFIED	
FRACTIONS	.X .XX .XXX ANGLES
±1/16 ±0.06 ±0.03 ±0.010 ±1°	

		REV	PAR / BY	DESCRIPTION (+ #DCI/#ECR)	APPR	DATE
		1	N. ALLARD	ADD TUBE COLLARS, SPACER AND BOLT		2016-03-31
		0	N. ALLARD	NEW DRAWING / NOUVEAU DESSIN		2015-12-22
DESCRIPTION BRAS ASSEMBLE ARM ASSEMBLY		PIECE NO. / PART NO.		REVISION 189349		PAGE/SHEET 1 / 1
PLATEFORME / PLATFORM LIFTING DEVICE		NO. REF/REF NO.	CONCUS PAR / DESIGNED BY	DATE	DESSINE PAR / DRAFT BY	DATE
		N/A	HUGUES LEWIEUX	2015-12-14	PASCAL BEGIN	2015-12-14

© ALL RIGHTS RESERVED. LABRIE ENVIRONMENTAL GROUP INC. ANY REPRODUCTION, ADAPTATION OR COMMUNICATION OF THIS DOCUMENT, WITHOUT THE WRITTEN CONSENT OF LABRIE ENVIRONMENTAL GROUP INC. IS STRICTLY PROHIBITED. © SANS LE CONSENTEMENT ÉCRIT DE GROUPE ENVIRONNEMENTAL LABRIE INC., TOUTE REPRODUCTION, ADAPTATION OU COMMUNICATION DE CE DOCUMENT, SANS LE CONSENTEMENT ÉCRIT DU GROUPE ENVIRONNEMENTAL LABRIE INC., EST STRICTEMENT INTERDITE.