



REAR LOADER CONTAINER HANDLING SYSTEM

Options for Field Installations

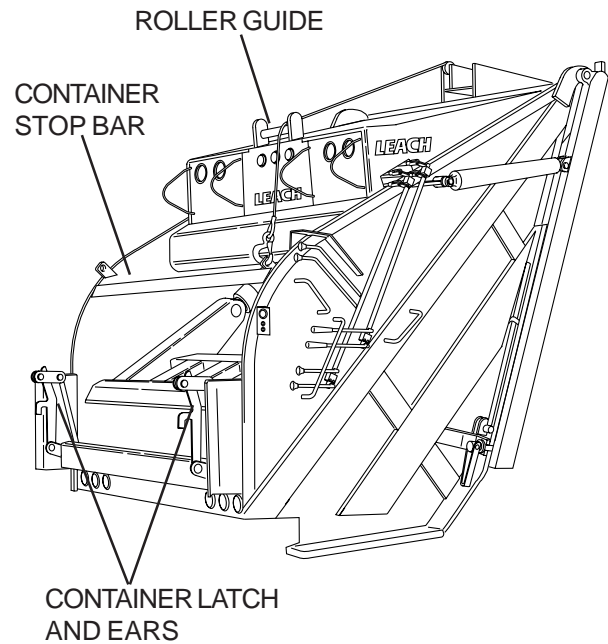
INTRODUCTION

CONTAINER ATTACHMENT

The Leach Container Attachment system consists of a loading edge with a latch assembly and a guide ear (ear) on each side of the packer tailgate. The standard container for use with the Leach rear loader must have an ANSI Standard 1 1/4" - 1 3/4" diameter trunnion bar which is between 77 1/2" and 78" end to end. This trunnion bar length will center the container between the "ears" and prevent the container from moving sideways. The latch arms must be manually raised and secured by the arm latch. The container arms, when properly latched together with the guide ears, will secure the container to the packer.

WARNING

Only containers that meet the American National Standards Institute (ANSI) regulations should be used in conjunction with Leach Container Handling Systems.



CONTAINER HANDLING SYSTEMS

To lift or dump a container, several systems are available.

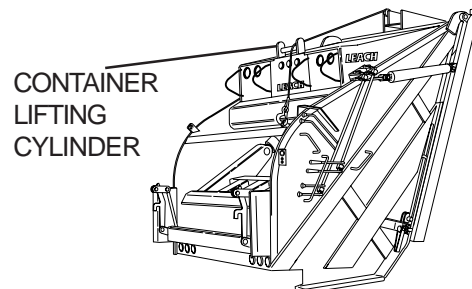
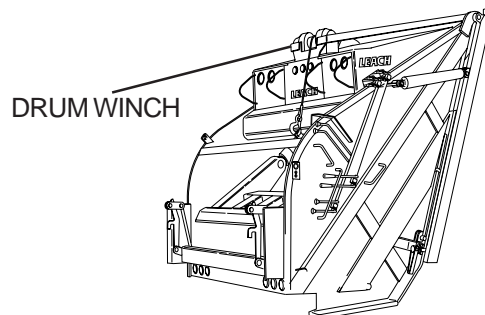
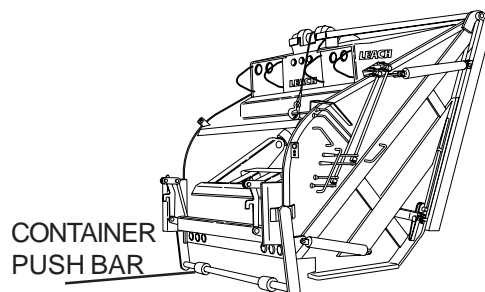
A hydraulically operated container push bar is available to handle containers of 1 to 3 cubic yard capacity.

The handling of containers with capacities of four (4) or more cubic yards requires the use of a drum winch or roof mounted container lifting cylinder.

Drum winches are rated at various pounds of pull. Leach Company offers winches with 8,000, 12,000 and heavy duty 12,000 lb. ratings. The Leach container lift cylinder is rated at 12,000 pounds.

NOTE:

Leach bodies are capable of being equipped with more than one container handling system.



OPTIONS FOR FIELD INSTALLATION

ORDERING INFORMATION

Leach Rear Loaders are adaptable to different container handling options. This booklet is designed to provide the information necessary to order options for field installation.

Ordering cart tipper(s) will require information be supplied to Leach Company. A sample form is included in this manual.

To correctly use this booklet, please keep the following in mind when placing an order:

1. The option part numbers are organized by model and serial number of the Rear Loader.
2. Please note the items not included. They must be ordered separately.
3. All Leach container handling options are designed to operate with "Latch and Ears". If the Latch and Ears are not included in the container handling option, they must be ordered separately.

The operation of any container handling option without the "Latch and Ears" is a serious hazard!



All Leach container handling options are designed to operate with "Latch and Ears". If the "Latch and Ears" are not included in the container handling option, they must be ordered separately. The operation of any container handling option without "Latch and Ears" is a serious hazard.

OPTIONS FOR FIELD INSTALLATION

TABLE OF CONTENTS

Introduction.....I
 Ordering Information.....II
 Table of Contents.....III

Cart Tipper Hydraulics

| | | |
|--|--|--|
| <u>Container Handling Options</u> | | SCII.....20 |
| SIII.....1 | 2RII Serial No. 0001 To 8992.....21 | 2RII Serial No. 8993 To 9718.....22 |
| SCII.....2 | 2RII Serial No. 9719 To 15999.....23 | 2RII Serial No. 16000 To 29999.....24 |
| 2R.....3 | 2R-III Serial No. Over 30000.....25 | Alpha Serial No. 2140 To 3499.....26 |
| 2RII Serial No. 0001 To 8992.....4 | Alpha Serial No. 3500 To 29999.....27 | Alpha-III Serial No. Over 30000.....28 |
| 2RII Serial No. 8993 To 9718.....5 | Beta Serial No. 2140 To 3499.....29 | Beta Serial No. 3500 To 29999.....30 |
| 2RII Serial No. 9719 To 15999.....6 | Beta-III Serial No. Over 30000.....31 | Delta Serial No. 3500 To 29999.....32 |
| 2RII Serial No. 16000 To 29999.....7 | Delta-III Serial No. Over 30000.....33 | |
| 2R-III Serial No. Over 30000.....8 | | |
| Alpha Serial No. 0001 To 2139.....9 | | |
| Alpha Serial No. 2140 To 3499.....10 | | |
| Alpha Serial No. 3500 To 29999.....11 | | |
| Alpha-III Serial No. Over 30000.....12 | | |
| Beta Serial No. 0001 To 3499.....13 | | |
| Beta Serial No. 3500 To 29999.....14 | | |
| Beta-III Serial No. Over 30000.....15 | | |
| Delta.....16 | | |
| Delta-III Serial No. Over 30000.....17 | | |
| Order Form For Cart Tippers or Hydraulics.....18 | | |
| Cart Tipper Models and Flow Rates.....19 | | |



All Leach container handling options are designed to operate with “Latch and Ears”. If the “Latch and Ears” are not included in teh container handling option, they must be ordered separately. The operation of any container handling option without “Latch and Ears” is a serious hazard.



OPTIONS FOR FIELD INSTALLATION

SIII

| <u>Part No.</u> | <u>Description</u> |
|------------------------|--|
| 913001 | Container Latch and Ears Only |
| 913002 | Container Stop Bar Includes: Light Bar |
| 913003 | Roller Guide |
| 913004 | 8,000 Lb. Drum Winch Does Not Include: Latch and Ears, Stop Bar, or Roller Guide |
| 913005 | 12,000 Lb. Drum Winch Does Not Include: Latch and Ears, Stop Bar, or Roller Guide |
| 913006 | Container Lifting Cylinder Does Not Include: Latch and Ears, Stop Bar, or Roller Guide |
| 913007 | Container Push Bar |



All Leach container handling options are designed to operate with “Latch and Ears”. If the “Latch and Ears” are not included in the container handling option, they must be ordered separately. The operation of any container handling option without “Latch and Ears” is a serious hazard.

OPTIONS FOR FIELD INSTALLATION

SCII

| <u>Part No.</u> | <u>Description</u> |
|-----------------|---|
| 915001 | Container Latch and Ears Only |
| 915002 | Light Guard Includes: Container Stop Bar |
| 915003 | Roller Guide |
| 915007 | 8,000 Lb. Drum Winch Does Not Include: Latch and Ears, Roller Guide, or Light Guard |
| 915008 | 12,000 Lb. Drum Winch Does Not Include: Latch and Ears, Roller Guide, or Light Guard |
| 915009 | Container Lifting Cylinder Does Not Include: Latch and Ears, Roller Guide, or Light Guard |
| 915010 | Container Push Bar |



All Leach container handling options are designed to operate with “Latch and Ears”. If the “Latch and Ears” are not included in the container handling option, they must be ordered separately. The operation of any container handling option without “Latch and Ears” is a serious hazard.

OPTIONS FOR FIELD INSTALLATION

2R

| <u>Part No.</u> | <u>Description</u> |
|------------------------|---|
| 912045 | Container Latch and Ears Only |
| 912052 | Light Bar Includes: Light Bar, Lights, Light Panel |
| 912046 | Container Stop Bar |
| 912022 | Roller Guide (Only required for units with Light Bar) |
| 912047 | 8,000 Lb. Drum Winch Does Not Include: Latch and Ears, Stop Bar, or Roller Guide |
| 912048 | 12,000 Lb. Drum Winch Does Not Include: Latch and Ears, Stop Bar, or Roller Guide |
| 912049 | Heavy Duty 12,000 Lb. Drum Winch Does Not Include: Latch and Ears, Stop Bar, or Roller Guide |
| 912050 | Container Push Bar (Units <u>without either</u> 12,000 Lb. Drum Winch) Does Not Include: Latch and Ears, or Stop Bar |
| | Note: For units <u>with either</u> 12,000 Lb. Drum Winch already installed, special tubing and a changed valve location are required. Order adapter Kit No. 912051 |
| 912051 | Adapter Kit Includes: Special tubing required for units with either 12,000 Lb. Drum Winch already installed. |



All Leach container handling options are designed to operate with “Latch and Ears”. If the “Latch and Ears” are not included in the container handling option, they must be ordered separately. The operation of any container handling option without “Latch and Ears” is a serious hazard.

OPTIONS FOR FIELD INSTALLATION

2RII Serial No. 0001 to 8992

Container Handling Options

| <u>Part No.</u> | <u>Description</u> |
|-----------------|---|
| 912001 | Container Latch and Ears Only |
| 912021 | Light Guard Includes: Container Stop Bar |
| 912022 | Roller Guide (For Drum Winch) |
| 912044 | Roller Guide (For Container Lift Cylinder) |
| 912039 | 8,000 Lb. Drum Winch Does Not Include: Latch and Ears, Stop Bar, or Roller Guide |
| 912040 | 12,000 Lb. Drum Winch Does Not Include: Latch and Ears, Stop Bar, or Roller Guide |
| 912041 | Heavy Duty 12,000 Lb. Drum Winch Does Not Include: Latch and Ears, Stop Bar, or Roller Guide |
| 912042 | Container Lifting Cylinder (Units <u>Without</u> Container Push Bar) Does Not Include: Latch and Ears, Light Guard, or Roller Guide |
| 912043 | Container Lifting Cylinder (Units <u>With</u> Container Push Bar) Does Not Include: Latch and Ears, Light Guard, or Roller Guide |
| 912014 | Container Push Bar Includes: Latch and Ears, and Light Guard |
| 912060 | Container Push Bar Does Not Include: Latch and Ears |



All Leach container handling options are designed to operate with “Latch and Ears”. If the “Latch and Ears” are not included in the container handling option, they must be ordered separately. The operation of any container handling option without “Latch and Ears” is a serious hazard.

OPTIONS FOR FIELD INSTALLATION

2RII Serial No. 8993 to 9718

Container Handling Options

| <u>Part No.</u> | <u>Description</u> |
|-----------------|--|
| 912001 | Container Latch and Ears Only |
| 912021 | Light Guard Includes: Container Stop Bar |
| 912022 | Roller Guide (For Drum Winch) |
| 912027 | 8,000 Lb. Drum Winch Does Not Include: Latch and Ears, Stop Bar, or Roller Guide |
| 912028 | 12,000 Lb. Drum Winch Does Not Include: Latch and Ears, Stop Bar, or Roller Guide |
| 912030 | Heavy Duty 12,000 Lb. Drum Winch Does Not Include: Latch and Ears, Stop Bar, or Roller Guide |
| 912031 | Container Lifting Cylinder Does Not Include: Latch and Ears, Light Guard, or Roller Guide |
| 912032 | Container Push Bar Does Not Include: Latch and Ears, Light Guard, or Roller Guide |



All Leach container handling options are designed to operate with “Latch and Ears”. If the “Latch and Ears” are not included in the container handling option, they must be ordered separately. The operation of any container handling option without “Latch and Ears” is a serious hazard.

OPTIONS FOR FIELD INSTALLATION

2R11 Serial No. 9719 to 15999

| <u>Part No.</u> | <u>Description</u> |
|-----------------|--|
| 912001 | Container Latch and Ears Only |
| 912002 | Light Guard Only |
| 912003 | Container Stop Bar Only |
| 306078 | Roller Guide |
| 912063 | Container Latch and Ears Only (Tag Axle) |
| 912008 | Manual Chain Kit |
| 912057 | Container Extended Latch and Ears (Center Tipper Mount) |
| 912058 | Extended Latch and Ears (Right Hand Tipper Mount) |
| 912059 | Extended Latch and Ears (Dual Tipper Mount) |
| 912072 | Latch and Ears (Tag Axle) |

1st Hydraulic Option (Utilizes Existing 3rd Valve Section on Main Control Valve)

| | |
|--------|---|
| 912010 | 12,000 Lb. Drum Winch Includes: Latch and Ears, Container Stop Bar, and Light Guard |
| 912011 | Heavy Duty 12,000 Lb. Drum Winch Does Not Include: Latch and Ears, Stop Bar, or Roller Guide |
| 912012 | Container Lifting Cylinder Includes: Latch and Ears, Container Stop Bar, Light Guard and Roller Guide |
| 912013 | Container Push Bar Includes: Latch and Ears, and Container Stop Bar |
| 912020 | Container Push Bar (Tag Axle) Includes: Latch and Ears, and Container Stop Bar |

2nd Hydraulic Option (Does Not Include Latch and Ears or Container Stop Bar) (Requires 4th Valve Section Kit)

| <u>Part No.</u> | <u>Description</u> |
|-----------------|--|
| 912015 | 4th Valve Section Kit Includes: 4th Valve Section, O-rings, and Tie Bolts |
| 912016 | 8,000 Lb. Drum Winch Includes: 4th Valve Section, and Light Guard |
| 912017 | 12,000 Lb. Drum Winch Includes: 4th Valve Section, and Light Guard |
| 912018 | Heavy Duty 12,000 Lb. Drum Winch Includes: 4th Valve Section, and Light Guard |
| 912100 | 12,000 Lb. Drum Winch (Tag Axle) Does Not Include: 4th Valve Section, or Light Guard |
| 912019 | Container Lifting Cylinder Includes: 4th Valve Section, and Light Guard |
| 912053 | Container Push Bar Includes: 4th Valve Section, and Light Guard |



All Leach container handling options are designed to operate with “Latch and Ears”. If the “Latch and Ears” are not included in the container handling option, they must be ordered separately. The operation of any container handling option without “Latch and Ears” is a serious hazard.

OPTIONS FOR FIELD INSTALLATION

2RII Serial No. 16000 to 29999

Mechanical Latch and Ears Kit

Includes: Container Latch Assembly, Ears, and Loading Edge Extension

| <u>Part No.</u> | <u>Description</u> |
|-----------------|--|
| 910082 | Standard |
| 912083 | Extended Center Mount Single Cart Tipper |
| 912085 | Extended Right Side Mount Single Cart Tipper |
| 912084 | Extended Right and Left Side Mount Dual Cart Tippers |
| 912111 | Standard Latch and Ears (Recessed Mount) |
| 972002 | Center Mount Low Load Edge |

Power Kits

Includes the Power Option, Valve Section, and Corresponding Tubes, Hoses, Fittings and Fasteners

| | |
|--------|---|
| 910084 | 12,000 Pound Line Pull Drum Winch |
| 912086 | 12,000 Pound Line Pull Reeving Winch |
| 912105 | Hydraulic Push Bar Attachment (Standard Mount) |
| 912104 | Hydraulic Push Bar Attachment (Low-Mount Cart Tipper Application) |
| 912106 | Hydraulic Push Bar Attachment (Tag Axle Tailgate Application) |

Lid Guard Kit

Includes the Stop Bar, Light Guards, and Fasteners

| | |
|--------|----------------------|
| 912112 | Stop Bar/Light Guard |
|--------|----------------------|

Control Kits (Must Order with Any Power Kit)

Includes the Valve Section Seals, Valve Tie Bolts, Controls, Linkage, and Fasteners

| | |
|--------|---|
| 910085 | 3rd Section (1st Power Option) Controls |
| 900209 | 4th Section (2nd Power Option) Controls |



All Leach container handling options are designed to operate with "Latch and Ears". If the "Latch and Ears" are not included in the container handling option, they must be ordered separately. The operation of any container handling option without "Latch and Ears" is a serious hazard.

OPTIONS FOR FIELD INSTALLATION

2R-III Serial No. Over 30000

Mechanical Latch and Ears Kit

Includes: Container Latch Assembly, Ears, and Loading Edge Extension

| <u>Part No.</u> | <u>Description</u> |
|-----------------|---|
| 701767 | Standard |
| 707762 | Extended Center Mount Single Cart Tipper |
| 707763 | Extended Right Side Mount Single Cart Tipper |
| 707731 | Extended Right and Left Side Mount Dual Cart Tippers |
| 711547 | Extended Bolt On Load Edge For Tipper (Center Mount) (Does Not Include: Latch Assembly) |
| 711692 | Extended Bolt On Load Edge For Tipper (Dual Mount) (Does Not Include: Latch Assembly) |

Power Kits

| | |
|--------|---|
| 972191 | 12,000 Pound Line Pull Drum Winch (Includes: Accessory Valve, Controls, Latch and Ears, Container Stop Bar and Light Guard) |
| 972192 | 12,000 Pound Line Pull Drum Winch (Includes: Accessory Valve and Controls)(Does Not Include: Latch and Ears, Container Stop Bar or Light Guard) |
| 972189 | Hydraulic Container Attachment (HCA) (Includes: Accessory Valve, Controls, Latch and Ears, Container Stop Bar)(Does Not Include: Light Guard) |
| 972205 | Hydraulic Container Attachment (HCA) (Includes: Accessory Valve, Controls, Container Stop Bar)(Does Not Include: Latch and Ears or Light Guard) |
| 708012 | 12,000 Pound Line Pull Reeving Winch (Also Order 714590) (Does Not Include: Latch and Ears, Accessory Valve, Container Push Bar or Light Guard) |

Light Guard and Stop Bar

| | |
|--------|--|
| 700605 | Light Guard |
| 700136 | Container Stop Bar (Standard, Bolt On) |
| 704226 | Container Stop Bar (Rubber Covered Stop Bar, Weld On) |

Accessory Valve Kits

| | |
|--------|---|
| 972209 | Accessory Valve (3rd Section. Includes Accessory Valve and Controls) |
| 972210 | Accessory Valve (4th Section. Includes Accessory Valve and Controls) |



All Leach container handling options are designed to operate with "Latch and Ears". If the "Latch and Ears" are not included in the container handling option, they must be ordered separately. The operation of any container handling option without "Latch and Ears" is a serious hazard.

OPTIONS FOR FIELD INSTALLATION

Alpha Serial No. 0001 to 2139

| <u>Part No.</u> | <u>Description</u> |
|-----------------|---|
| 910001 | Container Latch and Ears Only |
| 910002 | Container Stop Bar and Light Guard Only |
| 910003 | Roller Guide |
| 910010 | 8,000 Lb. Drum Winch Includes: Top Sheets |
| 910011 | 12,000 Lb. Drum Winch Includes: Top Sheets |
| 910012 | Container Lifting Cylinder Includes: Hinge Bar Roller Guide |
| 910013 | Container Push Bar Includes: Latch and Ears |



All Leach container handling options are designed to operate with “Latch and Ears”. If the “Latch and Ears” are not included in the container handling option, they must be ordered separately. The operation of any container handling option without “Latch and Ears” is a serious hazard.

OPTIONS FOR FIELD INSTALLATION

Alpha Serial No. 2140 to 3499

| <u>Part No.</u> | <u>Description</u> |
|-----------------|--|
| 910001 | Container Latch and Ears Only |
| 910002 | Container Stop Bar and Light Guard Only |
| 910003 | Roller Guide |

1st Hydraulic Option

| | |
|--------|--|
| 910053 | 8,000 Lb. Drum Winch Includes: Latch and Ears, Container Stop Bar, Light Guard, Roller Guide and Center Top Sheet |
| 910052 | 12,000 Lb. Drum Winch Includes: Latch and Ears, Container Stop Bar, Light Guard, Roller Guide and Center Top Sheet |
| 910054 | Container Lifting Cylinder Includes: Latch and Ears, Container Stop Bar, Light Guard, Hinge Bar Roller Guide, and Center Top Sheet |
| 910055 | Container Push Bar Includes: Latch and Ears, Container Stop Bar, and Light Guard |

2nd Hydraulic Option

| <u>Part No.</u> | <u>Description</u> |
|-----------------|---------------------------|
| 910056 | Container Push Bar |



All Leach container handling options are designed to operate with “Latch and Ears”. If the “Latch and Ears” are not included in the container handling option, they must be ordered separately. The operation of any container handling option without “Latch and Ears” is a serious hazard.

OPTIONS FOR FIELD INSTALLATION

Alpha Serial No. 3500 to 29999

| <u>Part No.</u> | <u>Description</u> |
|-----------------|--|
| 910021 | Container Latch and Ears Only |
| 910022 | Light Guard Only |
| 910023 | Container Stop Bar Only |
| 972051 | Extended Latch and Ears (Center Tipper Mount) |
| 972052 | Extended Latch and Ears (Right Hand Tipper Mount) |
| 972053 | Extended Latch and Ears (Dual Tipper Mount) |
| 910102 | Manual Chain Kit |

1st Hydraulic Option*

| | |
|--------|---|
| 910024 | 8,000 Lb. Drum Winch Includes: Latch and Ears, Container Stop Bar, Light Guard, Center Top Sheet, and 3rd Valve Section Kit |
| 910025 | 12,000 Lb. Drum Winch Includes: Latch and Ears, Stop Bar, Light Guard, Center Top Sheet, and 3rd Valve Section Kit |
| 910027 | Container Lifting Cylinder Includes: Latch and Ears, Stop Bar, Light Guard, Center Top Sheet, 3rd Valve Section Kit, and Hinge Bar Roller Guide |
| 910028 | Container Push Bar Includes: Latch and Ears, Stop Bar, and 3rd Valve Section Kit |

2nd Hydraulic Option*

| <u>Part No.</u> | <u>Description</u> |
|-----------------|--|
| 910031 | 8,000 Lb. Drum Winch Includes: 4th Valve Section Kit, and Center Top Sheet |
| 910032 | 12,000 Lb. Drum Winch Includes: 4th Valve Section Kit, and Center Top Sheet |
| 910034 | Container Lifting Cylinder Includes: 4th Valve Section Kit, and Center Top Sheet |
| 910035 | Container Push Bar Includes: 4th Valve Section Kit |

***These options include a 3rd or 4th valve section kit. A valve section kit contains a valve section, o-rings, and tie bolts.**



All Leach container handling options are designed to operate with "Latch and Ears". If the "Latch and Ears" are not included in the container handling option, they must be ordered separately. The operation of any container handling option without "Latch and Ears" is a serious hazard.

OPTIONS FOR FIELD INSTALLATION

ALPHA-III Serial No. Over 30000

Mechanical Latch and Ears Kit

Includes: Container Latch Assembly, Ears, and Loading Edge Extension

| <u>Part No.</u> | <u>Description</u> |
|-----------------|---|
| 704329 | Standard |
| 707879 | Extended Center Mount Single Cart Tipper |
| 707880 | Extended Right Side Mount Single Cart Tipper |
| 707878 | Extended Right and Left Side Mount Dual Cart Tippers |
| 712931 | Extended Bolt On Load Edge For Tipper (Center Mount) (Does Not Include: Latch Assembly) |
| 713129 | Extended Bolt On Load Edge For Tipper (Dual Mount) (Does Not Include: Latch Assembly) |

Power Kits

| | |
|--------|--|
| 711589 | 12,000 Pound Line Pull Drum Winch (Does Not Include: Accessory Valve, Controls, Latch and Ears, Container Stop Bar, and Light Guard) |
| 972190 | Hydraulic Container Attachment (HCA) (Includes: Accessory Valve, Controls, Latch and Ears, Container Stop Bar) (Does Not Include: Light Guard) |
| 972195 | 12,000 Pound Line Pull Reeving Winch (Does Not Include: Latch and Ears, Accessory Valve, Container Push Bar or Light Guard) |

Light Guard and Stop Bar

| | |
|--------|---|
| 406990 | Light Guard |
| 704316 | Container Stop Bar (Standard, Bolt On) |

Accessory Valve Kits

| | |
|--------|---|
| 972196 | Accessory Valve (3rd Section. Includes Accessory Valve and Controls) |
| 972197 | Accessory Valve (4th Section. Includes Accessory Valve and Controls) |



All Leach container handling options are designed to operate with “Latch and Ears”. If the “Latch and Ears” are not included in the container handling option, they must be ordered separately. The operation of any container handling option without “Latch and Ears” is a serious hazard.

OPTIONS FOR FIELD INSTALLATION

Beta Serial No. 0001 to 3499

| <u>Part No.</u> | <u>Description</u> |
|-----------------|--|
| 911001 | Container Latch and Ears Only |
| 910002 | Container Stop Bar and Light Guard Only |
| 910003 | Roller Guide |
| 911010 | 8,000 Lb. Drum Winch Does Not Include: Latch and Ears, Roller Guide, Stop Bar, or Light Guard |
| 911011 | 12,000 Lb. Drum Winch Does Not Include: Latch and Ears, Roller Guide, Stop Bar, or Light Guard |
| 911012 | Container Lifting Cylinder Includes: Hinge Bar Roller Guides Does Not Include: Latch and Ears, Stop Bar, or Light Guard |
| 911013 | Container Push Bar Does Not Include: Latch and Ears, Stop Bar, or Light Guard |



All Leach container handling options are designed to operate with “Latch and Ears”. If the “Latch and Ears” are not included in the container handling option, they must be ordered separately. The operation of any container handling option without “Latch and Ears” is a serious hazard.

OPTIONS FOR FIELD INSTALLATION

Beta Serial No. 3500 to 29999

| <u>Part No.</u> | <u>Description</u> |
|-----------------|--|
| 910021 | Container Latch and Ears Only |
| 910022 | Light Guard Only |
| 910023 | Container Stop Bar Only |
| 972051 | Extended Latch and Ears (Center Tipper Mount) |
| 972052 | Extended Latch and Ears (Right Hand Tipper Mount) |
| 972053 | Extended Latch and Ears (Dual Tipper Mount) |
| 910102 | Manual Chain Kit |

1st Hydraulic Option*

| | |
|--------|---|
| 910024 | 8,000 Lb. Drum Winch Includes: Latch and Ears, Container Stop Bar, Light Guard, Center Top Sheet, and 3rd Valve Section Kit |
| 910025 | 12,000 Lb. Drum Winch Includes: Latch and Ears, Stop Bar, Light Guard, Center Top Sheet, and 3rd Valve Section Kit |
| 910027 | Container Lifting Cylinder Includes: Latch and Ears, Stop Bar, Light Guard, Center Top Sheet, 3rd Valve Section Kit, and Hinge Bar Roller Guide |
| 910028 | Container Push Bar Includes: Latch and Ears, Stop Bar, and 3rd Valve Section Kit |

2nd Hydraulic Option*

| <u>Part No.</u> | <u>Description</u> |
|-----------------|--|
| 910031 | 8,000 Lb. Drum Winch Includes: 4th Valve Section Kit, and Center Top Sheet |
| 910032 | 12,000 Lb. Drum Winch Includes: 4th Valve Section Kit, and Center Top Sheet |
| 910034 | Container Lifting Cylinder Includes: 4th Valve Section Kit, and Center Top Sheet |
| 910035 | Container Push Bar Includes: 4th Valve Section Kit |

***These options include a 3rd or 4th valve section kit. A valve section kit contains a valve section, o-rings, and tie bolts.**



All Leach container handling options are designed to operate with "Latch and Ears". If the "Latch and Ears" are not included in the container handling option, they must be ordered separately. The operation of any container handling option without "Latch and Ears" is a serious hazard.

OPTIONS FOR FIELD INSTALLATION

BETA-III Serial No. Over 30000

Mechanical Latch and Ears Kit

Includes: Container Latch Assembly, Ears, and Loading Edge Extension

| <u>Part No.</u> | <u>Description</u> |
|-----------------|---|
| 704329 | Standard |
| 707879 | Extended Center Mount Single Cart Tipper |
| 707880 | Extended Right Side Mount Single Cart Tipper |
| 707878 | Extended Right and Left Side Mount Dual Cart Tippers |
| 712931 | Extended Bolt On Load Edge For Tipper (Center Mount) (Does Not Include: Latch Assembly) |
| 713129 | Extended Bolt On Load Edge For Tipper (Dual Mount) (Does Not Include: Latch Assembly) |

Power Kits

| | |
|--------|--|
| 711589 | 12,000 Pound Line Pull Drum Winch (Does Not Include: Accessory Valve, Controls, Latch and Ears, Container Stop Bar, and Light Guard) |
| 972190 | Hydraulic Container Attachment (HCA) (Includes: Accessory Valve, Controls, Latch and Ears, Container Stop Bar) (Does Not Include: Light Guard) |
| 972195 | 12,000 Pound Line Pull Reeving Winch (Does Not Include: Latch and Ears, Accessory Valve, Container Push Bar or Light Guard) |

Light Guard and Stop Bar

| | |
|--------|---|
| 406990 | Light Guard |
| 704316 | Container Stop Bar (Standard, Bolt On) |

Accessory Valve Kits

| | |
|--------|---|
| 972196 | Accessory Valve (3rd Section. Includes Accessory Valve and Controls) |
| 972197 | Accessory Valve (4th Section. Includes Accessory Valve and Controls) |



All Leach container handling options are designed to operate with "Latch and Ears". If the "Latch and Ears" are not included in the container handling option, they must be ordered separately. The operation of any container handling option without "Latch and Ears" is a serious hazard.

OPTIONS FOR FIELD INSTALLATION

Delta

| <u>Part No.</u> | <u>Description</u> |
|-----------------|--|
| 910021 | Container Latch and Ears Only |
| 910022 | Light Guard Only |
| 910023 | Container Stop Bar Only |
| 972051 | Extended Latch and Ears (Center Tipper Mount) |
| 972052 | Extended Latch and Ears (Right Hand Tipper Mount) |
| 972053 | Extended Latch and Ears (Dual Tipper Mount) |

1st Hydraulic Option*

| | |
|--------|---|
| 910059 | 8,000 Lb. Drum Winch Includes: Latch and Ears, Container Stop Bar, Light Guard, Center Top Sheet, and 3rd Valve Section Kit |
| 910060 | 12,000 Lb. Drum Winch Includes: Latch and Ears, Stop Bar, Light Guard, Center Top Sheet, and 3rd Valve Section Kit |
| 910061 | Container Lifting Cylinder Includes: Latch and Ears, Stop Bar, Light Guard, Center Top Sheet, 3rd Valve Section Kit, and Hinge Bar Roller Guide |
| 910062 | Container Push Bar Includes: Latch and Ears, Stop Bar, and 3rd Valve Section Kit |

2nd Hydraulic Option*

| <u>Part No.</u> | <u>Description</u> |
|-----------------|--|
| 910070 | 8,000 Lb. Drum Winch Includes: 4th Valve Section Kit, and Center Top Sheet |
| 910071 | 12,000 Lb. Drum Winch Includes: 4th Valve Section Kit, and Center Top Sheet |
| 910072 | Container Lifting Cylinder Includes: 4th Valve Section Kit, and Center Top Sheet |
| 910073 | Container Push Bar Includes: 4th Valve Section Kit |

***These options include a 3rd or 4th valve section kit. A valve section kit contains a valve section, o-rings, and tie bolts.**



All Leach container handling options are designed to operate with “Latch and Ears”. If the “Latch and Ears” are not included in the container handling option, they must be ordered separately. The operation of any container handling option without “Latch and Ears” is a serious hazard.

OPTIONS FOR FIELD INSTALLATION

DELTA-III Serial No. Over 30000

Mechanical Latch and Ears Kit

Includes: Container Latch Assembly, Ears, and Loading Edge Extension

| <u>Part No.</u> | <u>Description</u> |
|-----------------|---|
| 704329 | Standard |
| 707879 | Extended Center Mount Single Cart Tipper |
| 707880 | Extended Right Side Mount Single Cart Tipper |
| 707878 | Extended Right and Left Side Mount Dual Cart Tippers |
| 712931 | Extended Bolt On Load Edge For Tipper (Center Mount) (Does Not Include: Latch Assembly) |
| 713129 | Extended Bolt On Load Edge For Tipper (Dual Mount) (Does Not Include: Latch Assembly) |

Power Kits

| | |
|--------|--|
| 711589 | 12,000 Pound Line Pull Drum Winch (Does Not Include: Accessory Valve, Controls, Latch and Ears, Container Stop Bar, and Light Guard) |
| 972190 | Hydraulic Container Attachment (HCA) (Includes: Accessory Valve, Controls, Latch and Ears, Container Stop Bar) (Does Not Include: Light Guard) |
| 972195 | 12,000 Pound Line Pull Reeving Winch (Does Not Include: Latch and Ears, Accessory Valve, Container Push Bar or Light Guard) |

Light Guard and Stop Bar

| | |
|--------|---|
| 406990 | Light Guard |
| 704316 | Container Stop Bar (Standard, Bolt On) |

Accessory Valve Kits

| | |
|--------|---|
| 972196 | Accessory Valve (3rd Section. Includes Accessory Valve and Controls) |
| 972197 | Accessory Valve (4th Section. Includes Accessory Valve and Controls) |



All Leach container handling options are designed to operate with "Latch and Ears". If the "Latch and Ears" are not included in the container handling option, they must be ordered separately. The operation of any container handling option without "Latch and Ears" is a serious hazard.

OPTIONS FOR FIELD INSTALLATION

ORDERING CART TIPPERS OR HYDRAULICS

Before ordering a Cart Tipper or Cart Tipper Hydraulics for a LEACH Rear Loader with any Hydraulic Container Option, the information on the form below must be verified. Failure to verify the information could result with an inoperable unit.

Photo copy the form and mail or fax to the Leach Company Customer Support Department:

Leach Company Customer Support
PO Box 2608
Oshkosh, WI 54903-2608

Fax Number: 920-231-2712

INFORMATION FORM

Cart Tipper Application for LEACH Rear Loaders

The following information is required to complete your request for a cart tipper application:

CHASSIS TYPE: _____ TAG AXLE EQUIPPED: YES ___ NO ___

LEACH MODEL: _____

TIPPER BRAND: _____ TIPPER MODEL: _____

FLOW RATE REQUIREMENTS: _____ (GPM)

INSTALLATION: SINGLE TIPPER* _____ DUAL TIPPER: _____

*(For single installation only): Tipper Location: Left Side _____ Center _____ Right Side _____

CUSTOMER: _____

DISTRIBUTOR: _____

FOR ADDITIONAL INFORMATION SEE "TIPPER MODELS AND FLOW RATES"



All Leach container handling options are designed to operate with "Latch and Ears". If the "Latch and Ears" are not included in the container handling option, they must be ordered separately. The operation of any container handling option without "Latch and Ears" is a serious hazard.

OPTIONS FOR FIELD INSTALLATION

CART TIPPER MODELS AND FLOW RATES

1.4 GPM FLOW RATE

| <u>Brand Name</u> | <u>Model Number</u> |
|-------------------|---------------------|
| Perkins | D6075NH |
| Perkins | D6080NH |
| Perkins | D6282NH |
| Zam** | D** |

2.5 GPM FLOW RATE

| <u>Brand Name</u> | <u>Model Number</u> |
|-------------------|---------------------|
| Toter Trim Line | 3063-00-3500 |
| Toter High Lift** | 3065-10-4000** |

2.0 GPM FLOW RATE

| <u>Brand Name</u> | <u>Model Number</u> |
|-------------------|---------------------|
| Barker | BPHB-1512 |
| Barker | BPHB-1514 |
| Barker | BPHB-1516 |
| Barker | BPHC-1516 |
| Barker | BPH-E |
| Barker** | BPC-602** |
| Barker | BPC-602A |
| Barker | BPC-602S |
| Bayne | BTL1110 |
| Bayne | BTL1111 |
| Bayne | BTL1112 |
| Bayne | CTL1110 |
| Bayne | CTLS1110 |
| Bayne | TL1116 |
| Bayne | TLS1116 |
| Zam | R1516 |
| Zam | RB1510 |
| Zam | RB1512 |
| Zam | RB1514 |
| Zam | RB1516 |
| Zam | R1116 |

3.5 GPM Flow Rate

| <u>Brand Name</u> | <u>Model Number</u> |
|-------------------|---------------------|
| Mega (Boss) | DBB501S |
| Mega (Boss)** | DBB-500** |
| Mega (Boss)** | DBB-600** |
| Otto (ARE) | Sunset Hi-Lift |
| Peerless | CD-5 |

4.0 GPM FLOW RATE

| <u>Brand Name</u> | <u>Model Number</u> |
|-------------------|---------------------|
| Perkins | D6000 |

Note: All flow rates listed are based on information available at the time of this publication. Leach Company strongly recommends verifying flow rates prior to purchase or installation

**** CAUTION: These Cart Tipplers CAN NOT be mounted with Drum Winches, Container Lifting Cylinders, or Container Push Bars.**



All Leach container handling options are designed to operate with "Latch and Ears". If the "Latch and Ears" are not included in the container handling option, they must be ordered separately. The operation of any container handling option without "Latch and Ears" is a serious hazard.

OPTIONS FOR FIELD INSTALLATION

CART TIPPER HYDRAULICS (SCII)

Cart Tipper Hydraulics (Dual Control)*

| <u>Part No.</u> | <u>Description</u> |
|-----------------|--------------------|
| 915004 | 1.4 GPM Flow Rate |
| 915005 | 2.5 GPM Flow Rate |
| 915006 | 3.5 GPM Flow Rate |

*All cart tipper hydraulics installations include a flow rate regulator required to operate the customer supplied cart tipper. Be sure to specify the flow rate required by the customer supplied cart tipper.



All Leach container handling options are designed to operate with “Latch and Ears”. If the “Latch and Ears” are not included in the container handling option, they must be ordered separately. The operation of any container handling option without “Latch and Ears” is a serious hazard.

OPTIONS FOR FIELD INSTALLATION

CART TIPPER HYDRAULICS (2RII Serial No. 0001 to 8992)

Cart Tipper Hydraulics (Single Control)*

| <u>Part No.</u> | <u>Description</u> |
|-----------------|--------------------|
| 912033 | 1.4 GPM Flow Rate |
| 912034 | 2.5 GPM Flow Rate |
| 912035 | 3.5 GPM Flow Rate |

Cart Tipper Hydraulics (Dual Control)*

| <u>Part No.</u> | <u>Description</u> |
|-----------------|--------------------|
| 912036 | 1.4 GPM Flow Rate |
| 912037 | 2.5 GPM Flow Rate |
| 912038 | 3.5 GPM Flow Rate |

***All cart tipper hydraulics installations include a flow rate regulator required to operate the customer supplied cart tipper. Be sure to specify the flow rate required by the customer supplied cart tipper.**



All Leach container handling options are designed to operate with “Latch and Ears”. If the “Latch and Ears” are not included in the container handling option, they must be ordered separately. The operation of any container handling option without “Latch and Ears” is a serious hazard.

OPTIONS FOR FIELD INSTALLATION

CART TIPPER HYDRAULICS (2R11 Serial No. 8993 to 9718)

Cart Tipper Hydraulics (Single Control)*

| <u>Part No.</u> | <u>Description</u> |
|-----------------|--------------------|
| 912023 | 2.5 GPM Flow Rate |

Cart Tipper Hydraulics (Dual Control)*

| <u>Part No.</u> | <u>Description</u> |
|-----------------|--------------------|
| 912025 | 2.5 GPM Flow Rate |
| 912026 | 3.5 GPM Flow Rate |

***All cart tipper hydraulics installations include a flow rate regulator required to operate the customer supplied cart tipper. Be sure to specify the flow rate required by the customer supplied cart tipper.**

⚠ WARNING

All Leach container handling options are designed to operate with “Latch and Ears”. If the “Latch and Ears” are not included in the container handling option, they must be ordered separately. The operation of any container handling option without “Latch and Ears” is a serious hazard.

OPTIONS FOR FIELD INSTALLATION

CART TIPPER HYDRAULICS (2RII 9719 to 15999)

Hydraulics/Controls Only for Single Center Mount Cart Tipper

| <u>Part No.</u> | <u>Description</u> |
|-----------------|---|
| 912004 | Cart Tipper Hydraulics, Controls, 2.5 GPM Flow Rate |
| 912005 | Cart Tipper Hydraulics, Controls, 3.5 GPM Flow Rate |

Hydraulics/Controls Only for Dual Cart Tippers

| <u>Part No.</u> | <u>Description</u> |
|-----------------|---|
| 912006 | Cart Tipper Hydraulics, Controls, 2.5 GPM Flow Rate |
| 912007 | Cart Tipper Hydraulics, Controls, 3.5 GPM Flow Rate |

Extended Loading Sill/Container Latch and Ears (8" Extension)

| <u>Part No.</u> | <u>Description</u> |
|-----------------|--|
| 912054 | Extended Sill, Latch and Ears (For Single Cart Tipper, Right Hand Mount) |
| 912055 | Extended Sill, Latch and Ears (For Dual Cart Tippers) |



All Leach container handling options are designed to operate with "Latch and Ears". If the "Latch and Ears" are not included in the container handling option, they must be ordered separately. The operation of any container handling option without "Latch and Ears" is a serious hazard.

OPTIONS FOR FIELD INSTALLATION

CART TIPPER HYDRAULICS (2RII Serial No. 16000 to 29999)

Cart Tipper Hydraulic Kit

Includes the Diverter Valve, Directional Valve(s), Tubing, Hoses, Fittings, and Fasteners Required To Operate Most Hydraulic Cart Tipper Systems

| <u>Part No.</u> | <u>Description</u> |
|------------------------|--------------------------------------|
| 912107 | Single Cart Tipper Hydraulics |
| 912096 | Dual Cart Tipper Hydraulics |



All Leach container handling options are designed to operate with “Latch and Ears”. If the “Latch and Ears” are not included in the container handling option, they must be ordered separately. The operation of any container handling option without “Latch and Ears” is a serious hazard.

OPTIONS FOR FIELD INSTALLATION

CART TIPPER HYDRAULICS (2R-III Serial No. Over 30000)

Cart Tipper Hydraulic Kit

Includes the Diverter Valve, Directional Valve(s), Tubing, Hoses, Fittings, and Fasteners Required To Operate Most Hydraulic Cart Tipper Systems

| <u>Part No.</u> | <u>Description</u> |
|------------------------|--------------------------------------|
| 972144 | Single Cart Tipper Hydraulics |
| 972145 | Dual Cart Tipper Hydraulics |



All Leach container handling options are designed to operate with “Latch and Ears”. If the “Latch and Ears” are not included in the container handling option, they must be ordered separately. The operation of any container handling option without “Latch and Ears” is a serious hazard.

OPTIONS FOR FIELD INSTALLATION

CART TIPPER HYDRAULICS (Alpha Serial No. 2140 to 3499)

Cart Tipper Hydraulics (Single Control)*

| <u>Part No.</u> | <u>Description</u> |
|-----------------|--------------------|
| 911004 | 1.4 GPM Flow Rate |
| 911005 | 2.5 GPM Flow Rate |
| 911006 | 3.5 GPM Flow Rate |

Cart Tipper Hydraulics (Dual Control)*

| <u>Part No.</u> | <u>Description</u> |
|-----------------|--------------------|
| 911007 | 1.4 GPM Flow Rate |
| 911008 | 2.5 GPM Flow Rate |
| 911009 | 3.5 GPM Flow Rate |

***All cart tipper hydraulics installations include a flow rate regulator required to operate the customer supplied cart tipper. Be sure to specify the flow rate required by the customer supplied cart tipper.**



All Leach container handling options are designed to operate with “Latch and Ears”. If the “Latch and Ears” are not included in the container handling option, they must be ordered separately. The operation of any container handling option without “Latch and Ears” is a serious hazard.

OPTIONS FOR FIELD INSTALLATION

CART TIPPER HYDRAULICS (ALPHA 3500 to 29999)

Hydraulics/Controls Only for Single Center Mount Cart Tipper

| <u>Part No.</u> | <u>Description</u> |
|-----------------|---|
| 910037 | Cart Tipper Hydraulics, Controls, 1.4 GPM Flow Rate |
| 910038 | Cart Tipper Hydraulics, Controls, 2.0 GPM Flow Rate |

Hydraulics/Controls Only for Single Right Hand Mount Cart Tipper

| <u>Part No.</u> | <u>Description</u> |
|-----------------|---|
| 910039 | Cart Tipper Hydraulics, Controls, 1.4 GPM Flow Rate |
| 910040 | Cart Tipper Hydraulics, Controls, 2.0 GPM Flow Rate |
| 910041 | Cart Tipper Hydraulics, Controls, 2.5 GPM Flow Rate |
| 910042 | cart Tipper Hydraulics, Controls, 3.5 GPM Flow Rate |

Hydraulics/Controls for Dual Mount Cart Tippers

| <u>Part No.</u> | <u>Description</u> |
|-----------------|---|
| 910043 | Cart Tipper Hydraulics, Controls, 1.4 GPM Flow Rate |
| 910044 | Cart Tipper Hydraulics, Controls, 2.0 GPM Flow Rate |
| 910045 | Cart Tipper Hydraulics, Controls, 2.5 GPM Flow Rate |
| 910046 | Cart Tipper Hydraulics, Controls, 3.5 GPM Flow Rate |



All Leach container handling options are designed to operate with “Latch and Ears”. If the “Latch and Ears” are not included in the container handling option, they must be ordered separately. The operation of any container handling option without “Latch and Ears” is a serious hazard.

OPTIONS FOR FIELD INSTALLATION

CART TIPPER HYDRAULICS (ALPHA-III Serial No. Over 30000)

Cart Tipper Hydraulic Kit

Includes the Diverter Valve, Directional Valve(s), Tubing, Hoses, Fittings, and Fasteners Required To Operate Most Hydraulic Cart Tipper Systems

| <u>Part No.</u> | <u>Description</u> |
|-----------------|-------------------------------|
| 972144 | Single Cart Tipper Hydraulics |
| 972145 | Dual Cart Tipper Hydraulics |

▲ WARNING

All Leach container handling options are designed to operate with "Latch and Ears". If the "Latch and Ears" are not included in the container handling option, they must be ordered separately. The operation of any container handling option without "Latch and Ears" is a serious hazard.

OPTIONS FOR FIELD INSTALLATION

CART TIPPER HYDRAULICS (Beta Serial No. 2140 to 3499)

Cart Tipper Hydraulics (Single Control)*

| <u>Part No.</u> | <u>Description</u> |
|-----------------|--------------------|
| 911004 | 1.4 GPM Flow Rate |
| 911005 | 2.5 GPM Flow Rate |
| 911006 | 3.5 GPM Flow Rate |

Cart Tipper Hydraulics (Dual Control)*

| <u>Part No.</u> | <u>Description</u> |
|-----------------|--------------------|
| 911007 | 1.4 GPM Flow Rate |
| 911008 | 2.5 GPM Flow Rate |
| 911009 | 3.5 GPM Flow Rate |

***All cart tipper hydraulics installations include a flow rate regulator required to operate the customer supplied cart tipper. Be sure to specify the flow rate required by the customer supplied cart tipper.**



All Leach container handling options are designed to operate with “Latch and Ears”. If the “Latch and Ears” are not included in the container handling option, they must be ordered separately. The operation of any container handling option without “Latch and Ears” is a serious hazard.

OPTIONS FOR FIELD INSTALLATION

CART TIPPER HYDRAULICS (BETA 3500 to 29999)

Hydraulics/Controls Only for Single Center Mount Cart Tipper

| <u>Part No.</u> | <u>Description</u> |
|-----------------|---|
| 910037 | Cart Tipper Hydraulics, Controls, 1.4 GPM Flow Rate |
| 910038 | Cart Tipper Hydraulics, Controls, 2.0 GPM Flow Rate |

Hydraulics/Controls Only for Single Right Hand Mount Cart Tipper

| <u>Part No.</u> | <u>Description</u> |
|-----------------|---|
| 910039 | Cart Tipper Hydraulics, Controls, 1.4 GPM Flow Rate |
| 910040 | Cart Tipper Hydraulics, Controls, 2.0 GPM Flow Rate |
| 910041 | Cart Tipper Hydraulics, Controls, 2.5 GPM Flow Rate |
| 910042 | Cart Tipper Hydraulics, Controls, 3.5 GPM Flow Rate |

Hydraulics/Controls for Dual Mount Cart Tippers

| <u>Part No.</u> | <u>Description</u> |
|-----------------|---|
| 910043 | Cart Tipper Hydraulics, Controls, 1.4 GPM Flow Rate |
| 910044 | Cart Tipper Hydraulics, Controls, 2.0 GPM Flow Rate |
| 910045 | Cart Tipper Hydraulics, Controls, 2.5 GPM Flow Rate |
| 910046 | Cart Tipper Hydraulics, Controls, 3.5 GPM Flow Rate |



All Leach container handling options are designed to operate with “Latch and Ears”. If the “Latch and Ears” are not included in the container handling option, they must be ordered separately. The operation of any container handling option without “Latch and Ears” is a serious hazard.

OPTIONS FOR FIELD INSTALLATION

CART TIPPER HYDRAULICS (BETA-III Serial No. Over 30000)

Cart Tipper Hydraulic Kit

Includes the Diverter Valve, Directional Valve(s), Tubing, Hoses, Fittings, and Fasteners Required To Operate Most Hydraulic Cart Tipper Systems

| <u>Part No.</u> | <u>Description</u> |
|------------------------|--------------------------------------|
| 972144 | Single Cart Tipper Hydraulics |
| 972145 | Dual Cart Tipper Hydraulics |



All Leach container handling options are designed to operate with “Latch and Ears”. If the “Latch and Ears” are not included in the container handling option, they must be ordered separately. The operation of any container handling option without “Latch and Ears” is a serious hazard.

OPTIONS FOR FIELD INSTALLATION

CART TIPPER HYDRAULICS (DELTA Serial No. 3500 to 29999)

Hydraulics/Controls Only for Single Center Mount Cart Tipper

| <u>Part No.</u> | <u>Description</u> |
|-----------------|---|
| 910037 | Cart Tipper Hydraulics, Controls, 1.4 GPM Flow Rate |
| 910038 | Cart Tipper Hydraulics, Controls, 2.0 GPM Flow Rate |

Hydraulics/Controls Only for Single Right Hand Mount Cart Tipper

| <u>Part No.</u> | <u>Description</u> |
|-----------------|---|
| 910039 | Cart Tipper Hydraulics, Controls, 1.4 GPM Flow Rate |
| 910040 | Cart Tipper Hydraulics, Controls, 2.0 GPM Flow Rate |
| 910041 | Cart Tipper Hydraulics, Controls, 2.5 GPM Flow Rate |
| 910042 | Cart Tipper Hydraulics, Controls, 3.5 GPM Flow Rate |

Hydraulics/Controls for Dual Mount Cart Tippers

| <u>Part No.</u> | <u>Description</u> |
|-----------------|---|
| 910043 | Cart Tipper Hydraulics, Controls, 1.4 GPM Flow Rate |
| 910044 | Cart Tipper Hydraulics, Controls, 2.0 GPM Flow Rate |
| 910045 | Cart Tipper Hydraulics, Controls, 2.5 GPM Flow Rate |
| 910046 | Cart Tipper Hydraulics, Controls, 3.5 GPM Flow Rate |



All Leach container handling options are designed to operate with “Latch and Ears”. If the “Latch and Ears” are not included in the container handling option, they must be ordered separately. The operation of any container handling option without “Latch and Ears” is a serious hazard.

OPTIONS FOR FIELD INSTALLATION

CART TIPPER HYDRAULICS (DELTA-III Serial No. Over 30000)

Cart Tipper Hydraulic Kit

Includes the Diverter Valve, Directional Valve(s), Tubing, Hoses, Fittings, and Fasteners Required To Operate Most Hydraulic Cart Tipper Systems

| <u>Part No.</u> | <u>Description</u> |
|------------------------|--------------------------------------|
| 972144 | Single Cart Tipper Hydraulics |
| 972145 | Dual Cart Tipper Hydraulics |



All Leach container handling options are designed to operate with “Latch and Ears”. If the “Latch and Ears” are not included in the container handling option, they must be ordered separately. The operation of any container handling option without “Latch and Ears” is a serious hazard.



2737 Harrison Street
Oshkosh, WI 54901
Tel: (877) 800-1111
Please visit our website:
www.fsdepot.com