

# Illustrated Parts List for VMAC

## System V900097

### GMC 2006 - 2007 Classic 6.0L/5.3L

## System V900107

### GMC 2007-2009 GMT900 6.0L

## System V900108

### GMC 2010 6.0L

1 - Kit Pack List .....	2
2A - Fastener Pack – 3800573 – V900097 .....	4
2A - Fastener Pack – 3800573 – V900097 (cont.).....	6
2B - Fastener Pack – 3800651 – V900107/V900108 .....	7
2B - Fastener Pack – 3800651 – V900107 /V900108(cont.).....	9
3 - Compressor Assembly – P120116 .....	10
4 - Compressor Sub Components – P120004 .....	12
5 - Inlet Valve Sub Components – 9200419 .....	13
6 - Main Bracket Assembly, 4800458 .....	14
7 - Tank Mount Strap Assembly – 4800512.....	15
8 - VR70 Tank, 9200430 .....	16
9 - Cooler Assembly – 4800211 .....	18

Note: Drawings are not to scale.

**Document 1930109 Changes and Revisions**

Version	Revision Details	Revised by/date	Approved by/date	Implemented
H	ECN 08-169	SL 07 July 2008	SH 10 Jul 2008	14 Jul 2008
J	ECN 08-315	SL 24 Nov 2008	TG 25 Nov 2008	25 Nov 2008
K	ECN 08-261	SL 04 Feb 2009	TG 18 Mar 2009	20 Mar 2009
L	ECN 10-040	SH 05 May 2010	MP 25 May 2010	25 May 2010

**VMAC – Vehicle Mounted Air Compressors**

Toll Free: 1-800-738-8622

Local: 1-250-740-3200

Fax: 1-250-740-3201

## 1 - Kit Pack List

Item #	Part #	Qty	Description
1	1610338	1	BELT, K060832
2	1752068	1	HOSE, CRIMPED, 1/2" X 68"
3	1752075	1	HOSE, CRIMPED, 1/2" X 75"
4	1771078	1	HOSE, CRIMPED, 1" X 78"
5	1800194	1	CRANK PULLEY
6	1930060	1	MANUAL, OWNERS GENERIC, VR70 & 140
7	1930104	1	MANUAL, INSTALLATION
8	1930109	1	ILLUSTRATED PARTS LIST
9	2200105	2	CLAMP, MOUNTING BRACKET C, 6
10	2200111	1	STRAP, TANK, BACKING
11	2200120	1	STRAP, TANK CABLE, 17
12a	3550723	1	CONTROL BOX V900097
12b	3550727	1	CONTROL BOX V900107/108
13a	3550721	1	INTERFACE CABLE V900097
13b	3550747	1	INTERFACE CABLE V900107/108
14a	3560201	1	THROTTLE CONTROL V900097
14b	3560099	1	THROTTLE CONTROL V900107
14c	3560215	1	THROTTLE CONTROL V900108
15a	3800573	1	FASTENER PACK V900097
15b	3800651	1	FASTENER PACK V900107/108
16	4800512	2	BRACKET, TANK
17	4800211	1	COOLER ASSEMBLY
18	4800413	1	SYSTEM OPERATION INSTRUCTION & ID
19	4800458	1	MAIN BRACKET ASSEMBLY
20	9200430	1	TANK, VR70 DRESSED INT OIL FILTER
21	A700091	1	OIL, VR, 1L, HIGH PERFORMANCE
22	A700094	1	OIL, VR, 4L, HIGH PERFORMANCE
23	P120116	1	COMPRESSOR ASSEMBLY

**VMAC – Vehicle Mounted Air Compressors**

Toll Free: 1-800-738-8622

Local: 1-250-740-3200

Fax: 1-250-740-3201

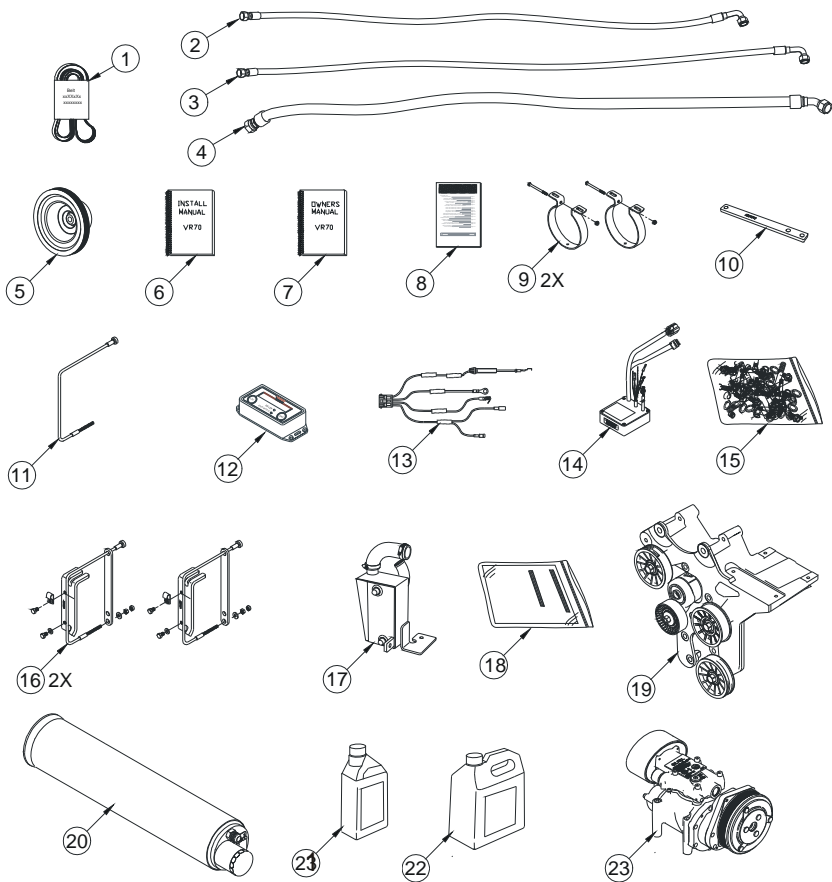


Figure 1 - Kit Pack List

2A - Fastener Pack – 3800573 – V900097

Item #	Part #	Qty	Description
1	3800197	1	FASTENER PACK, COOLER
1.1	1400170	1	SPACER
1.2	1520060	1	BOLT, HHCS G10.9, M10 X 1.5 X 40
1.3	1520090	1	BOLT, HHCS G10.9, M10 X 1.5 X 30
1.4	1520159	1	BOLT, HHCS G10.9, M12 X 1.75 X 30
1.5	1560215	1	NUT, HEX PL, M12
1.6	1570044	2	WASHER, ALLOY PL SAE, 3/8
1.7	1570237	1	WASHER, SPLIT LOCK, 1/2
1.8	2200026	2	CLAMP, HOSE HS28
2	3800199	1	FASTENER PACK, CRANK BOLT
2.1	4800374	1	BOLT/ WASHER ASSEMBLY
3	3800280	1	FASTENER PACK, TANK FITTINGS
3.1	4900036	1	ELBOW, STEEL JIC SWIVEL 45, 3/4
3.2	4900056	1	ELBOW, STEEL SWIVEL 45, 1/2
4	3800549	1	FASTENER PACK, MAIN BRACKET
4.1	1520060	3	BOLT, HHCS G10.9, M10 X 1.5 X 40
4.2	1520090	1	BOLT, HHCS G10.9, M10 X 1.5 X 30
4.3	1570044	4	WASHER, ALLOY PL SAE, 3/8
5	3800550	1	FASTENER PACK, PCM
5.1	1200476	1	BRACKET, PCM UPPER
5.2	1200477	1	BRACKET, PCM LOWER
5.3	1520541	2	BOLT, HHCS G10.9, M6 X 1.0 X 20
5.4	1560438	2	NUT, NYLOCK, M6
5.5	1570038	2	WASHER, FLAT SAE, 1/4
5.6	1710725	1	HOSE, SPLIT, 6"
5.7	2200039	3	TIE, NYLON MD, 7"
6	3800551	1	FASTENER PACK, SPLITTER BOX
6.1	1200482	1	BRACKET, SPLITTER BOX MOUNT
6.2	1540370	2	BOLT, SHCS, M6 X 1.0 X 18
6.3	1560438	2	NUT, NYLOCK, M6
6.4	1570038	2	WASHER, FLAT SAE, 1/4
7	3800552	1	FASTENER PACK, FAN
7.1	3400061	1	SPACER, FAN
8	3800570	1	FASTENER PACK, WIRING LOOM
8.1	1700029	96"	LOOM, SPLIT PLASTIC, 1/2
8.2	2200039	10	TIE, NYLON MD, 7"

**VMAC – Vehicle Mounted Air Compressors**

Toll Free: 1-800-738-8622

Local: 1-250-740-3200

Fax: 1-250-740-3201

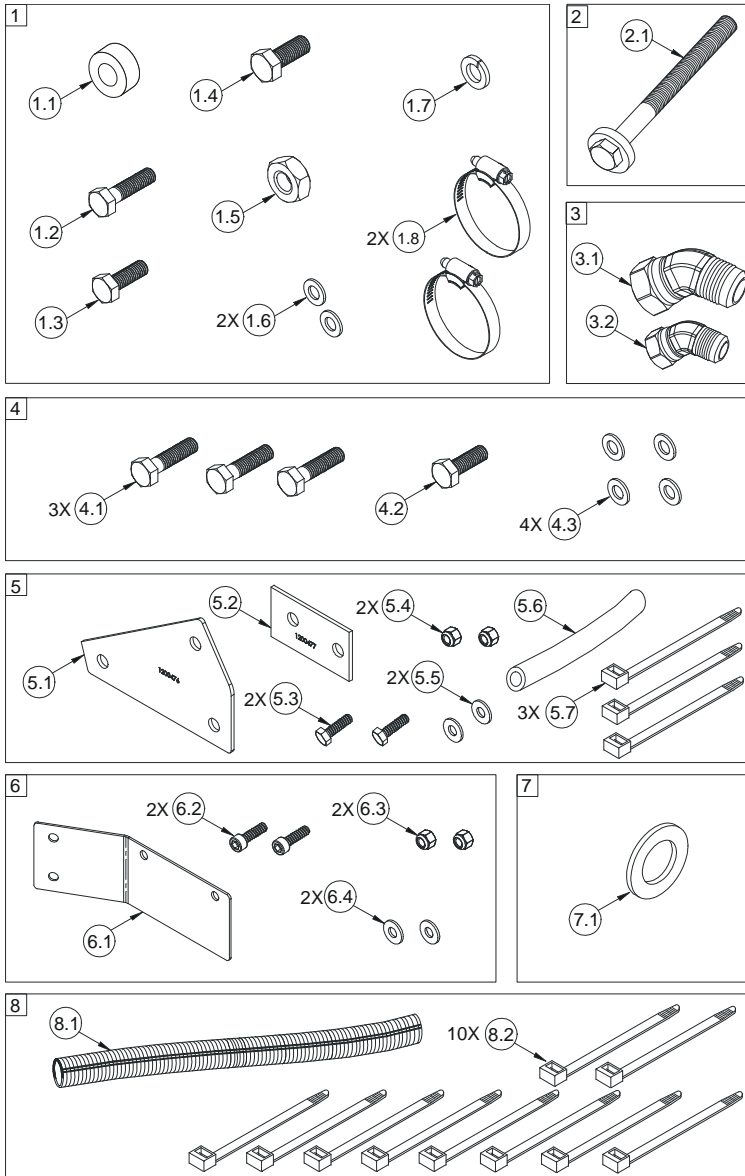


Figure 2A - Fastener Packs – V900097

2A - Fastener Pack – 3800573 – V900097 (cont.)

9	3800665	1	FASTENER PACK
9.1	1700570	122.5	TUBE, TEFLON, PTFE, 1/4"OD X 3/16"ID
9.2	1700571	113.5	TUBE, TEFLON, PTFE, 3/16"OD X 1/8"ID
9.3	1700581	122.5	LOOM, SPLIT PLASTIC, 1/4, HIGH TEMP
9.4	1700581	113.5	LOOM, SPLIT PLASTIC, 1/4, HIGH TEMP
9.5	2200039	10	TIE, NYLON MD, 7"

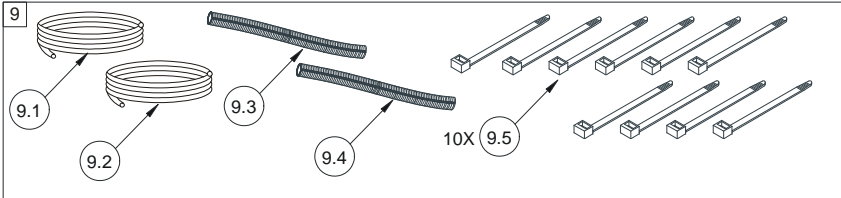


Figure 2A - Fastener Packs – V900097 (cont.)

2B - Fastener Pack – 3800651 – V900107 / V900108

Item #	Part #	Qty	Description
1	3800199	1	FASTENER PACK,CRANK BOLT
1.1	4800374	1	BOLT/ WASHER ASSEMBLY
2	3800280	1	FASTENER PACK, TANK FITTINGS
2.1	4900036	1	ELBOW, STEEL JIC SWIVEL 45, 3/4
2.2	4900056	1	ELBOW, STEEL SWIVEL 45, 1/2
3	3800549	1	FASTENER PACK, MAIN BRACKET
3.1	1520060	3	BOLT, HHCS G10.9, M10 X 1.5 X 40
3.2	1520090	1	BOLT, HHCS G10.9, M10 X 1.5 X 30
3.3	1570044	4	WASHER, ALLOY PL SAE, 3/8
4	3800552	1	FASTENER PACK, FAN
4.1	3400061	1	SPACER, FAN
5	3800570	1	FASTENER PACK, WIRING LOOM
5.1	1700029	96"	LOOM, SPLIT PLASTIC, 1/2
5.2	2200039	10	TIE, NYLON MD, 7"
6	3800652	1	FASTENER PACK, PCM WIRE GUARD
6.1	1710725	1	HOSE, SPLIT, 6"
6.2	2200039	2	TIE, NYLON MD, 7"
7	3800653	1	FASTENER PACK, COOLER ADAPTER
7.1	1200518	1	BRACKET
7.2	1400170	1	SPACER
7.3	1520060	1	BOLT, HHCS G10.9, M10 X 1.5 X 40
7.4	1520090	2	BOLT, HHCS G10.9, M10 X 1.5 X 30
7.5	1520159	1	BOLT, HHCS G10.9, M12 X 1.75 X 30
7.6	1560138	1	NUT, NYLOCK PL, M10 X 1.5
7.7	1560215	1	NUT, HEX PL, M12
7.8	1570044	4	WASHER, ALLOY PL SAE, 3/8
7.9	1570237	1	WASHER, SPLIT LOCK, 1/2
7.10	2200026	2	CLAMP, HOSE HS28

**VMAC – Vehicle Mounted Air Compressors**

Toll Free: 1-800-738-8622

Local: 1-250-740-3200

Fax: 1-250-740-3201

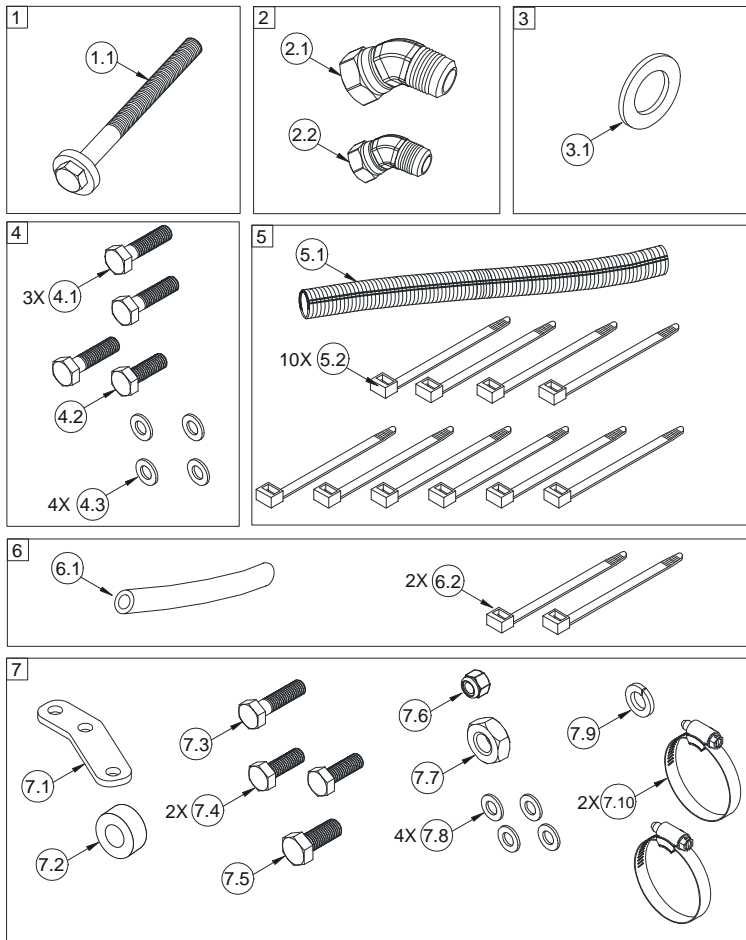


Figure 2B - Fastener Packs – V900107 /V900108

**VMAC – Vehicle Mounted Air Compressors**

Toll Free: 1-800-738-8622

Local: 1-250-740-3200

Fax: 1-250-740-3201



2B - Fastener Pack – 3800651 – V900107 / V900108(cont.)

8	3800665	1	FASTENER PACK
8.1	1700570	122.5	TUBE, TEFLON, PTFE, 1/4"OD X 3/16"ID
8.2	1700571	113.5	TUBE, TEFLON,PTFE, 3/16"OD X 1/8"ID
8.3	1700581	122.5	LOOM, SPLIT PLASTIC, 1/4, HIGH TEMP
8.4	1700581	113.5	LOOM, SPLIT PLASTIC, 1/4, HIGH TEMP
8.5	2200039	10	TIE, NYLON MD, 7"

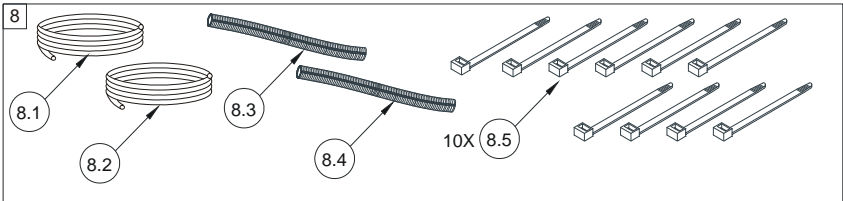


Figure 2A - Fastener Packs – V900107/V900108 (cont.)

### 3 - Compressor Assembly – P120116

Item #	Part #	Qty	Description
1	1540530	2	BOLT, SHCS, M8 X 1.25 X 55, G12.9
2	1540521	4	BOLT, SHCS, M8 X 1.25 X 110
3	1540550	2	BOLT, SHCS, M8 X 1.25 X 50, GR 12.9
4	3500288	1	SENSOR, PRESSURE
5	4300076	1	PIPE FTG, PLUG SKT HEAD, 1/8
6	4900002	1	ELBOW, STEEL JIC/O-RING, 1/2 3/4-16
7	4900045	1	PLUG, STEEL HEX SAE/O-RING PORT
8	5000020	1	ELBOW, BRASS NPT-TUBE, 1/8-5/16
9	5000162	1	CONNECT,BRASS NPT-POLY,3/16-1/8 NPT
10	5000112	1	CONNECTOR ,90, BRASS NPT-POLY, 1/8-3/16"
11	5830004	1	O-RING, VITON, 3 1/8 ID X 1/8
12	5830132	1	O-RING, VITON, #8 ORB
13	9200419	1	INLET VALVE, BASIC INTEGRATED REG.
14	P120004	1	VR70 COMPRESSOR

**VMAC – Vehicle Mounted Air Compressors**

Toll Free: 1-800-738-8622

Local: 1-250-740-3200

Fax: 1-250-740-3201

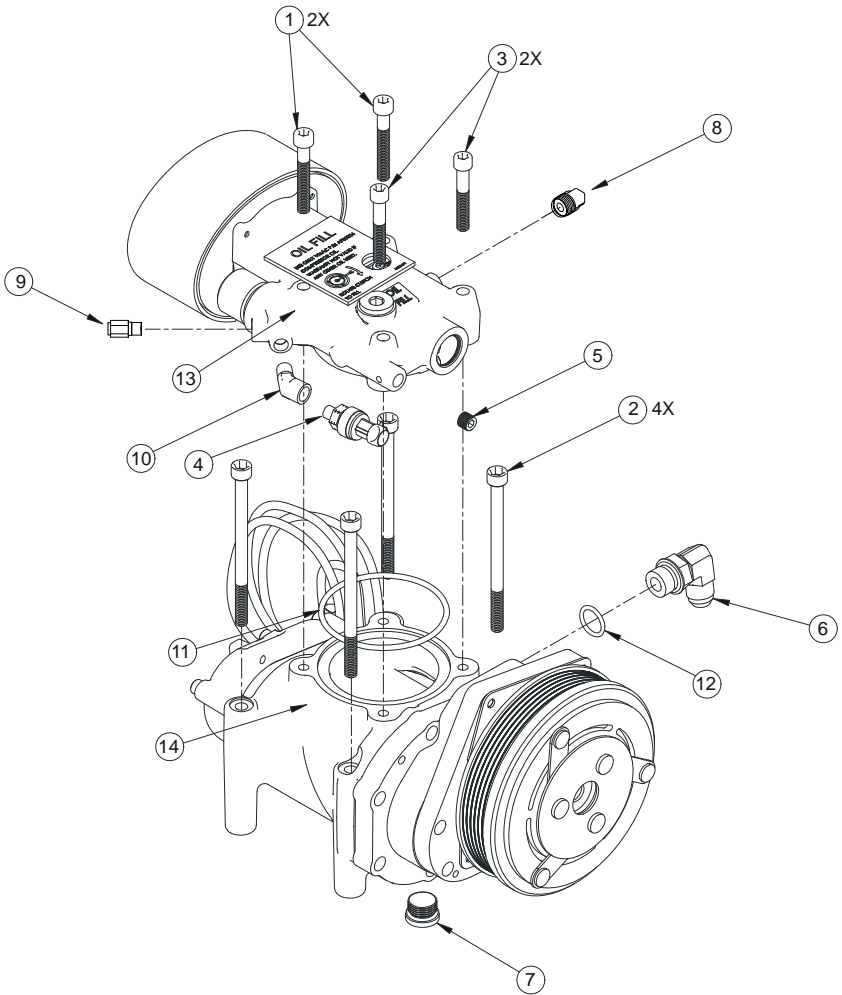


Figure 3 - Compressor Assembly

## 4 - Compressor Sub Components – P120004

Item #	Part #	Qty	Description
1	3550682	1	TEMPERATURE PROBE
2	P200035	1	CLUTCH COMPLETE 6 GROVE

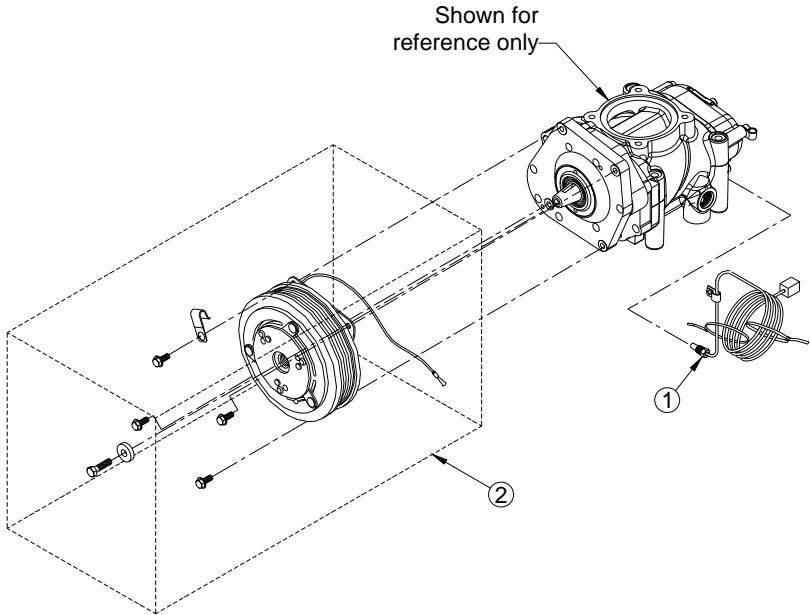


Figure 4 - Compressor Sub Components

**VMAC – Vehicle Mounted Air Compressors**

Toll Free: 1-800-738-8622

Local: 1-250-740-3200

Fax: 1-250-740-3201

## 5 - Inlet Valve Sub Components – 9200419

Item #	Part #	Qty	Description
1	3600046	1	REGULATOR VALVE
2	4900045	1	PLUG
3	5830002	1	O-RING, VITON, 2 3/8 ID X 3/32
4	5830129	1	O-RING, VITON, 1 7/8 ID X 3/16
5	A700049	1	FILTER KIT ASSEMBLY
5.1	1500077	4	SCREW, BUTTON HEAD, 10 - 32 X 3/8
5.2	1500519	1	ROD, THREADED, 1/4 X 2.62
5.3	1550029	1	NUT, NYLOCK NC, 1/4
5.4	1550221	1	NUT, HEX NC PL, 1/4, GR8
5.5	1570038	1	WASHER, FLAT SAE, 1/4
5.6	3200205	1	PLATE, INNER FILTER
5.7	3600037	1	ELEMENT, FILTER, PAPER
5.8	3600066	1	COVER, AIR FILTER, PLASTIC
5.9	5830070	1	O-RING, VITON, 2 9/16 ID X 3/32

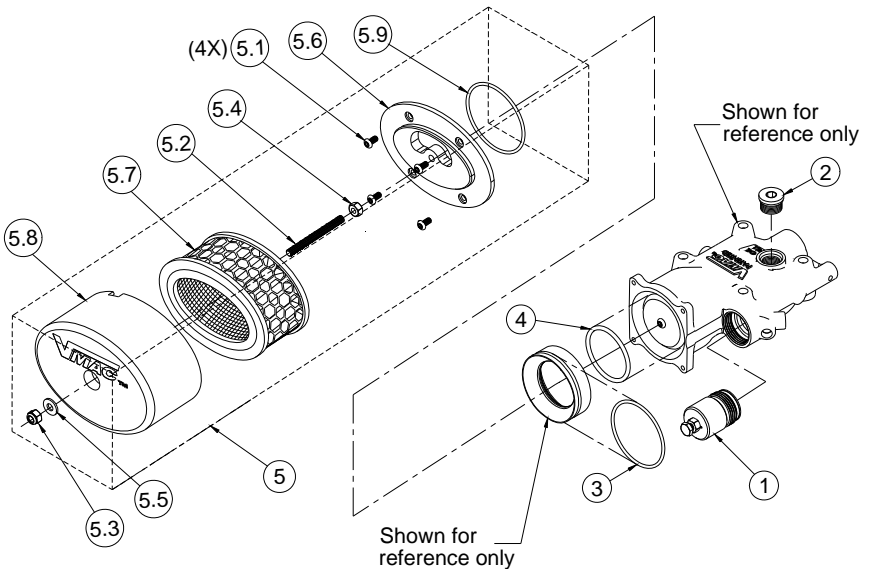


Figure 5 - Inlet Valve Sub Components

### VMAC – Vehicle Mounted Air Compressors

Toll Free: 1-800-738-8622

Local: 1-250-740-3200

Fax: 1-250-740-3201

6 - Main Bracket Assembly, 4800458

Item #	Part #	Qty	Description
1	1100158	1	BRACKET, MAIN, V900087(CAST)
2	1300030	2	IDLER, SERP, 6 GROOVE, FLANGE, 90MM
3	1300031	1	IDLER, SERP, BACK, FLANGE, 90MM
4	1400051	3	SPACER, IDLER - BOLT
5	1510161	2	BOLT, HHCS NC G8 FL, 1/2 X 1 1/4
6	1540107	1	BOLT, SHCS, M10 X 1.5 X 50, G12.9
7	3300028	1	TENSIONER
8	4300079	2	BUSHING, SPLIT FLARED
9	1500403	1	BOLT, MACHINED, IDLER 1/2 X 1-1/4

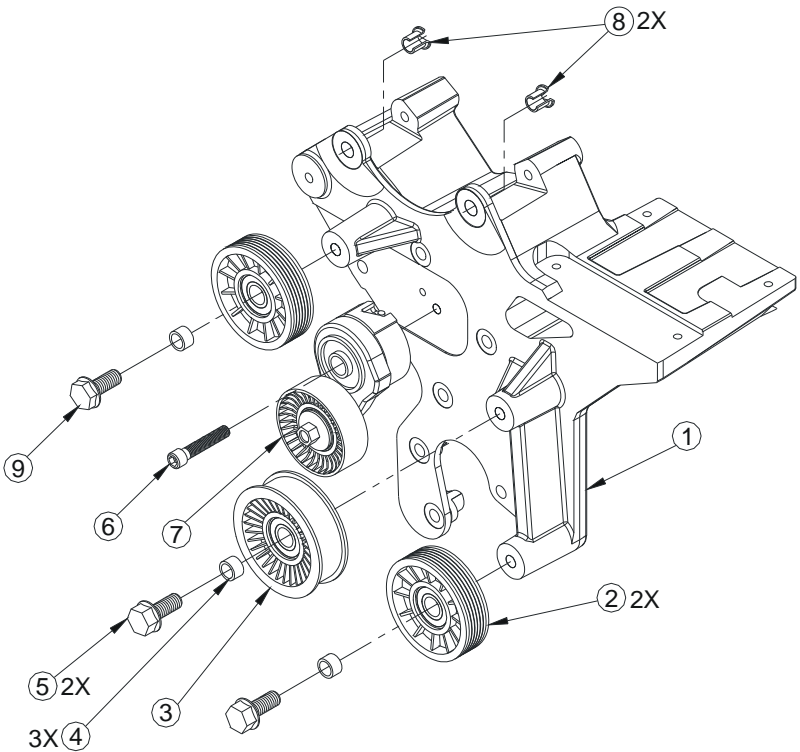


Figure 6 - Main Bracket Assembly

**VMAC – Vehicle Mounted Air Compressors**  
 Toll Free: 1-800-738-8622  
 Local: 1-250-740-3200  
 Fax: 1-250-740-3201

## 7 - Tank Mount Strap Assembly – 4800512

Item #	Part #	Qty	Description
1	1200236	1	BRACKET, STRAP, TANK MOUNT
2	1510349	2	BOLT, HHCS NC G8 PL, 5/16 X 1/2
3	1550066	2	NUT, HEX NC, 5/16
4	1570067	2	WASHER, SAE, 5/16
5	1570476	1	WASHER, 5/16 ID X 3/4 OD
6	2200106	1	STRAP, TANK CABLE, 16
7	2200113	1	STRAP, TANK FLAT BAR, BACKING STRAP.

Note: Two assemblies per kit

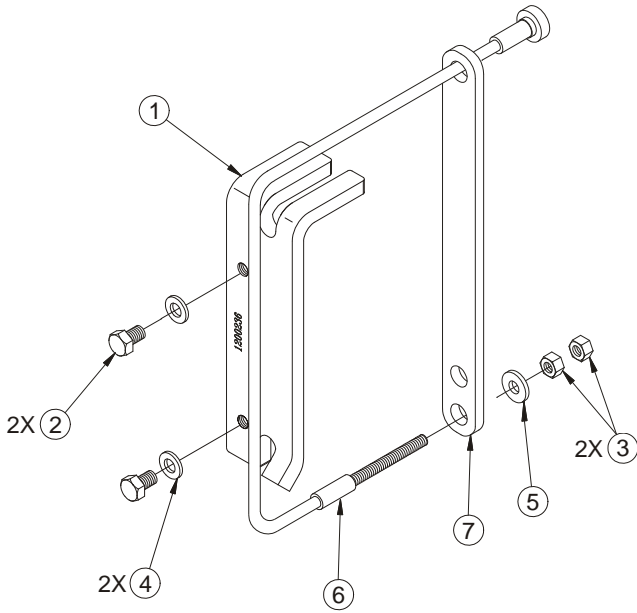


Figure 7 - Tank Mount Strap Assembly

**VMAC – Vehicle Mounted Air Compressors**

Toll Free: 1-800-738-8622

Local: 1-250-740-3200

Fax: 1-250-740-3201

8 - VR70 Tank, 9200430

Item #	Part #	Qty	Description
1	1510086	6	BOLT, HHCS NC G5 FL LK, 3/8 X 1
2	1510522	2	BOLT, HHCS NC G8 FL LK PL, 1/4 X 1/2
3	3200231	1	COVER, SIGHT GLASS
4	3600064	1	SEAL, TANK REAR CAP
5	3600090	1	THIMBLE, SCREEN
6	4900033	1	CONNECTOR, STEEL NPT-JIC, 3/4-3/4
7	4900035	1	NIPPLE, STEEL STR THRD, 3/4 - 16
8	4900106	1	PLUG, STEEL, #5 ORB, HEX
9	5000020	1	ELBOW, BRASS NPT-POLY, 1/8-1/4"
10	5000089	1	CONNECTOR, BRASS NPT-SAE, 3/8 - 1/2
11	5000165	1	ELBOW,90, BRASS NPT-POLY, 1/8-3/16"
12	5000160	1	ADAPTER, BRASS, 1/8-1/8 NPT
13	A700152	1	ELEMENT, SEP, COALESCING
14	5830066	1	O-RING, VITON, 4 3/4 ID X 1/8
15	5840069	1	SPRING, COMPRESSION, FL 1.5",OD .54
16	9200039	1	OIL FILTER, VR 3.250 SHORT
17	9200437	1	ASSEMBLY, BLOWDOWN CAP
17.1	3600054	1	VALVE, SAFETY, 3/8, 200 PSI
17.2	4500104	1	MUFFLER, SINTERED EXHAUST, 1/8"
18	9200378	1	TANK, OIL SEPARATOR
19	A700061	1	SIGHT GLASS ASSEMBLY

**VMAC – Vehicle Mounted Air Compressors**

Toll Free: 1-800-738-8622

Local: 1-250-740-3200

Fax: 1-250-740-3201



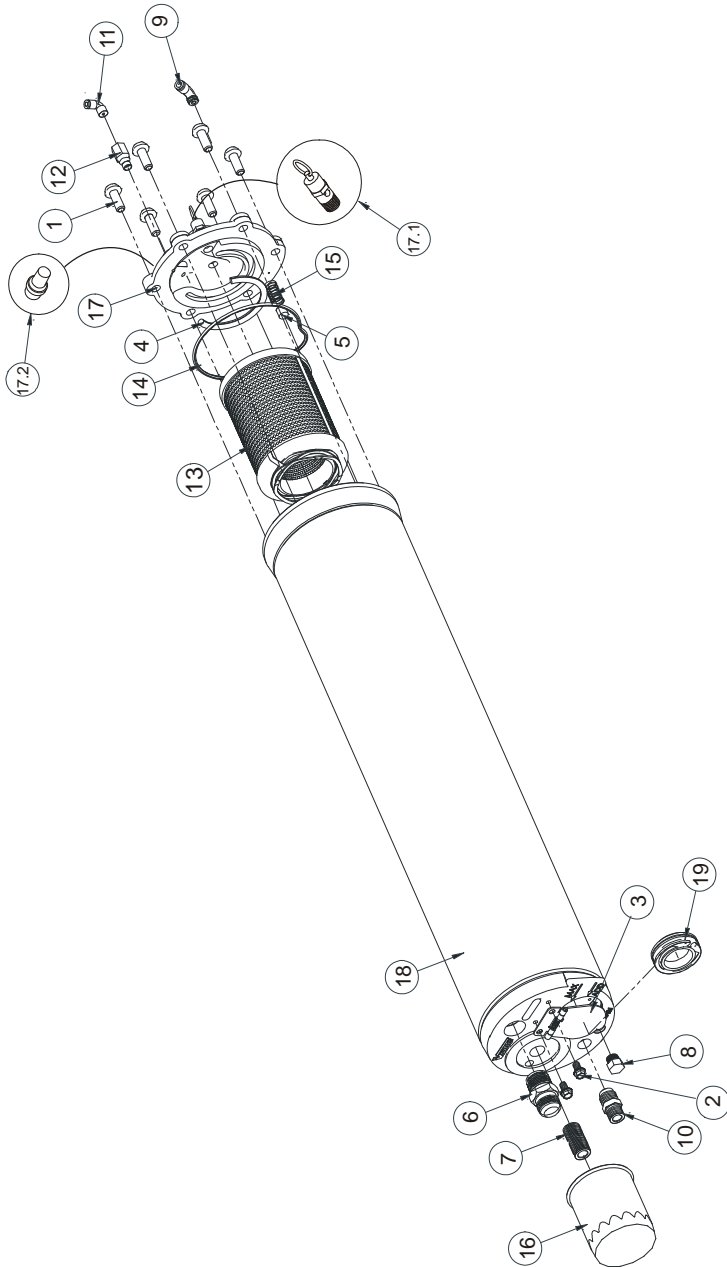


Figure 8 - VR70 Tank

## 9 - Cooler Assembly – 4800211

Item #	Part #	Qty	Description
1	1710424	1	HOSE, RADIATOR, MODIFIED 1700423
2	2200026	2	CLAMP, HOSE HS28
3	9200192	1	COOLER

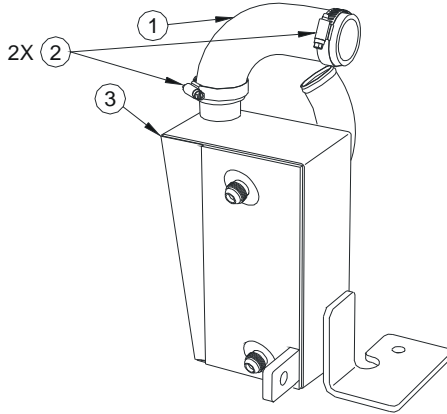


Figure 9 - Cooler Assembly

**VMAC – Vehicle Mounted Air Compressors**

Toll Free: 1-800-738-8622

Local: 1-250-740-3200

Fax: 1-250-740-3201