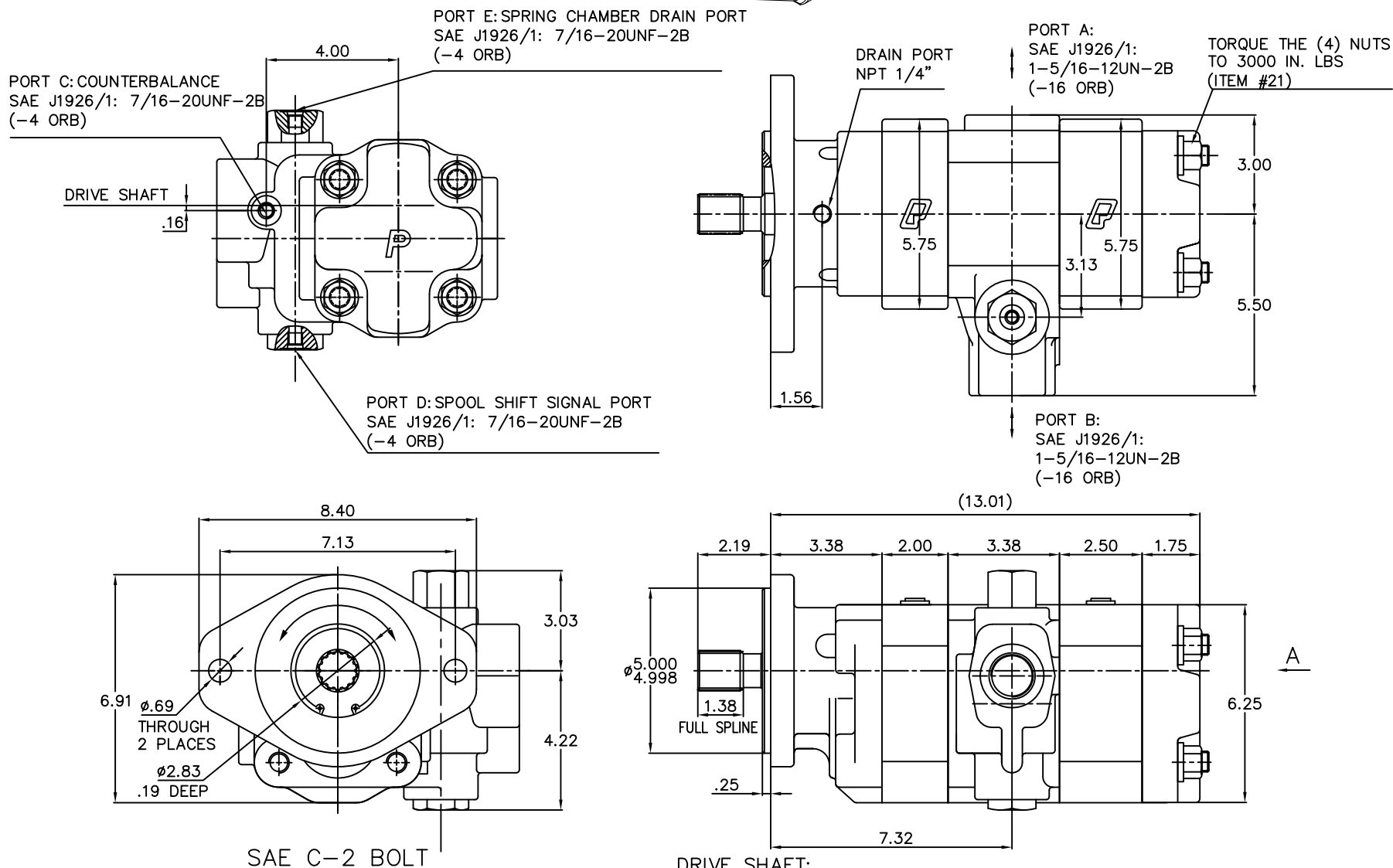


VIEW A



CW IS THE PRIMARY WORKING ROTATION.
1. IN THE NORMAL POSITION (WHEN NO PILOT PRESSURE IS CONNECTED TO PORT D), THE FRONT SECTION OF THE MOTOR WORKS UNDER HIGH SPEED/LOW TORQUE.
2. WHEN THE D PORT IS CONNECTED TO PILOT PRESSURE, BOTH SECTIONS WORK UNDER LOW SPEED/HIGH TORQUE.

38	Z-1967-45-2	PERMCO NAME TAG	0		NOT SHOWN
37	HF-6	-4 ORB PLUG	2		NOT SHOWN
36	514-01428	SPOOL	1		NOT SHOWN
35	514-01426	SPRING RETAINER	1		NOT SHOWN
34	216-01427	SPOOL SPRING	1		NOT SHOWN
33	514-01433	-16 ORB PLUG	1		NOT SHOWN
32	K-2995-154	O-RING, SIZE 916	2		NOT SHOWN
31	514-01429	CHECK BODY AND ROD	1		NOT SHOWN
30	216-01430	CHECK SPRING	1		NOT SHOWN
29	514-01431	15/32" STL BALL	1		NOT SHOWN
28	514-01432	-8 ORB PLUG	1		NOT SHOWN
27	W046-01434	-3 ORB PLUG	1		NOT SHOWN
26	565-01194	PLUG	1	1/4" ORB	NOT SHOWN
25	#44	PLASTIC PLUG	2	1"ORB	NOT SHOWN
24	SP-1000-4	SHAFT PRO.	1		NOT SHOWN
23	W0-00	PIPE PLUG	1	1/4"NPT	
22	W033-2	WASHER	4		NOT SHOWN
21	W3-65	NUT	4	5/8"	NOT SHOWN
20	ZD-0391-112	STUD	4	5/8"-11UNC	NOT SHOWN
19	AZ-2915-2	POCKET SEAL	1		NOT SHOWN
18	TA-2995-244	SQ. GASKET	4		
17	280-1971-032	DOWEL PIN	8		NOT SHOWN
16	L-0280-K	CHECK VALVE	2		
15	R-0921	ROLLER BRNG	8		
14	MA-0558-1XS	RING SEAL	4		
13	249-01536	SEVERE DUTY SHAFT SEAL	1		
12	ZB-0558	SPACER	1		
11	W58-47	BALL BEARING	1		
10	W023-283	SNAP RING	1		
9	X-0947-DVPS	THRUST PLATE	4		
8	022-01425	CONNECT SFT	1		
7	LZ-0995L-17	GEAR SET	1		
6	OC-0024L-3-12	GEAR SET	1	SAE C 14 TEETH	MICRO FINISH SEAL AREA TO 4 RMS
5	576-01423	BEARING CARRIER	1	1" x 1"ORB	
4	LZ-0577-17D	GEAR HOUSING	1	BLANK x BLANK	
3	LZ-0577-12D	GEAR HOUSING	1	BLANK x BLANK	
2	YZ-0592D	P.E.C	1		
1	MA-0574-5D	S.E.C	1	SAE C-2 BOLT	
NO.	CODE	NAME	PIECES	SPECIFICATION	REMARK

DESIGN	WDS	07-08-14	This print is the property of Permco Streetsboro Ohio, its contents are confidential and must not be submitted to outside parties for use or examination, subject to return on demand.		
COLLATE	WYJ	07-08-14	 Permco, Streetsboro Ohio		
AUDITING	ZZY	07-08-14			
APPROVE					

OEM P.N. 01-304-1130

SDM5140B787AHZA12-6(16J16J)ZA17-2SHS(RH)(ESK)