



Johnston

NORTH AMERICA

QUICK REFERENCE GUIDE for Common Wear Parts

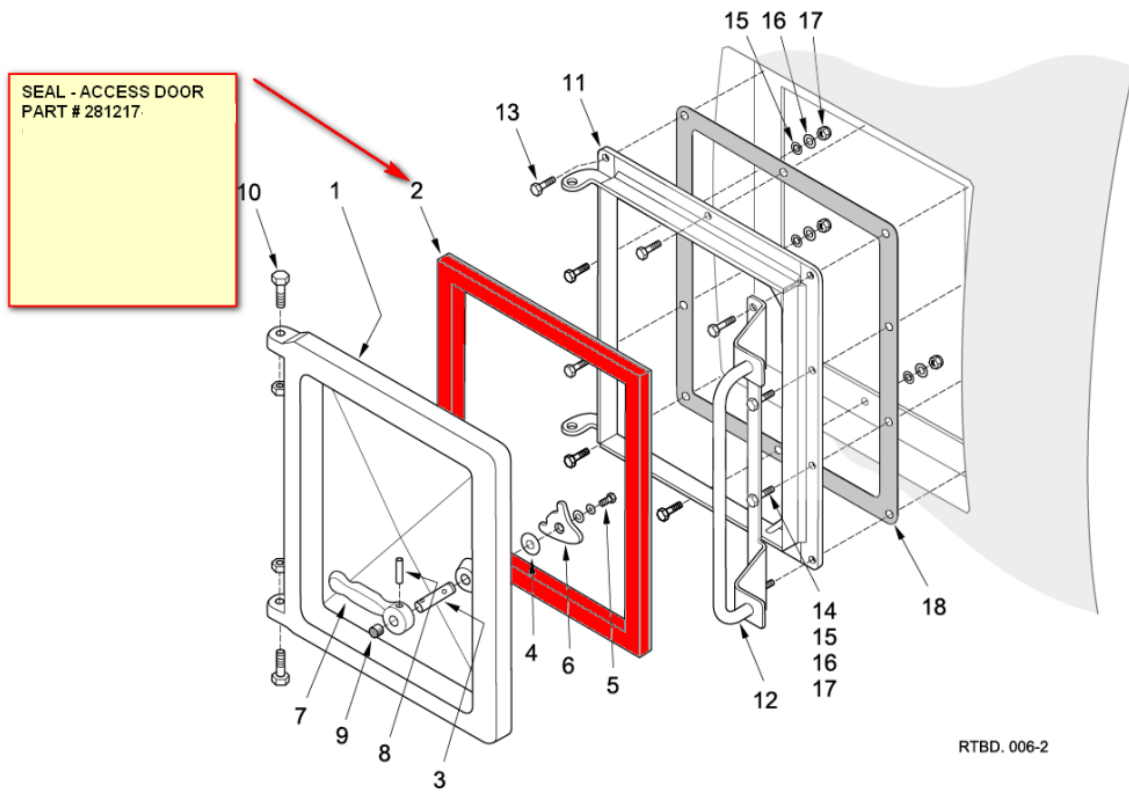


RT655 Series
Regenerative Air Sweeper

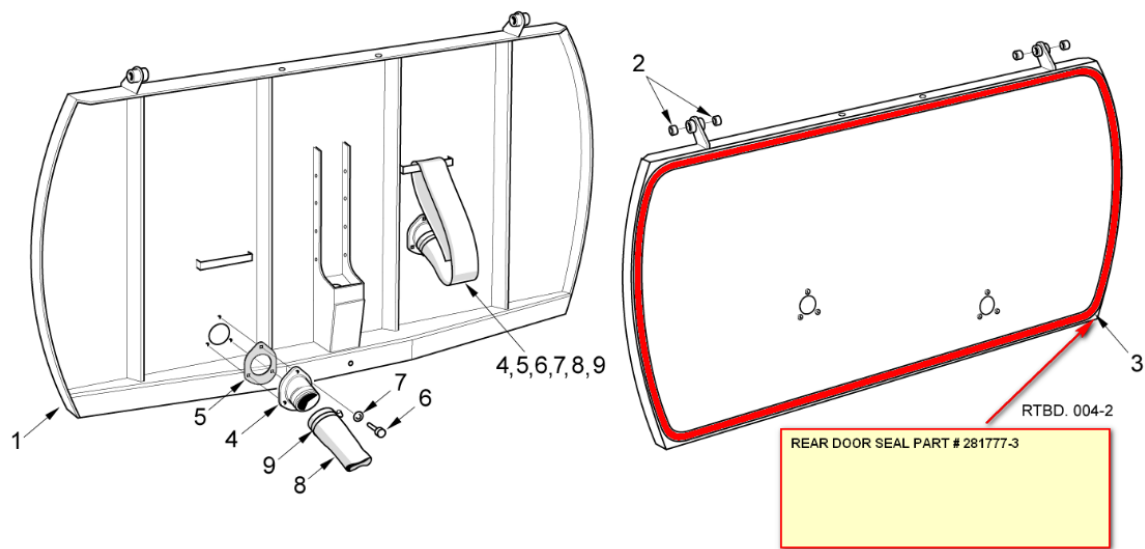
Table of Contents

Seal AC Door	3
Rear Door Seal	4
Wear Plate	5
Rear Curtain	6
Fuel Filter	7
Pre Fuel Filter	8
Filter Hydraulic Suction	9
Filter Main Air	10
Filter Safety Air	11
Engine Belt	12
Hydraulic Filter	13
Impeller Fan	14
Air Bowl Filter	15
Intake Seat Seal	16
Outer and Inner Air Blade	17
Air Blade Curtain	18
Curtain Rubber Flap	19
Top & Bottom Air Blade	20
Blister Flap	21
Nozzle Skate R & L	22
Band & Hose Clamp Trunking	23
Trunking R & L	24
Nozzle Holder and Seal	25
Water Jet and Bayonet	26
Water Jet O-Ring Spray Bar	26
Jet Fan Nozzle	28
Water Filter Screen	29
Water Solenoid Valve	30
Water Solenoid Overhaul Kit	31
Standard Wanderhose Option	32
Seal Kit	33
Gutter Broom	34
Standard Wanderhose Option	35
Wanderhose Ext. and Hose Clamp	36

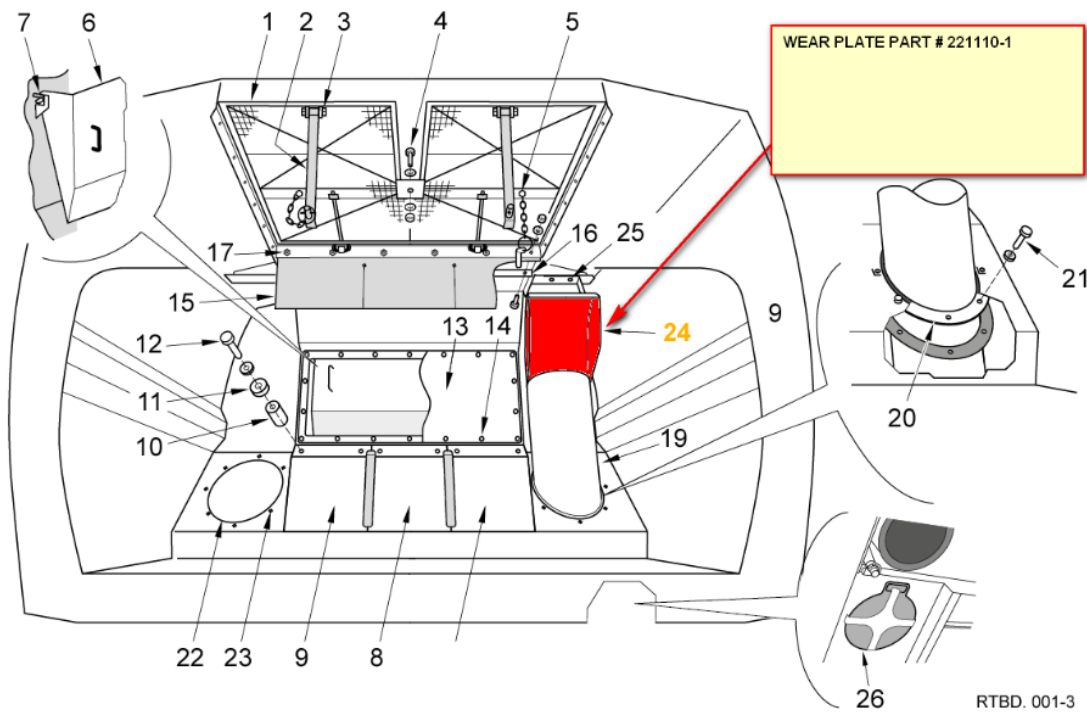
Seal AC Door



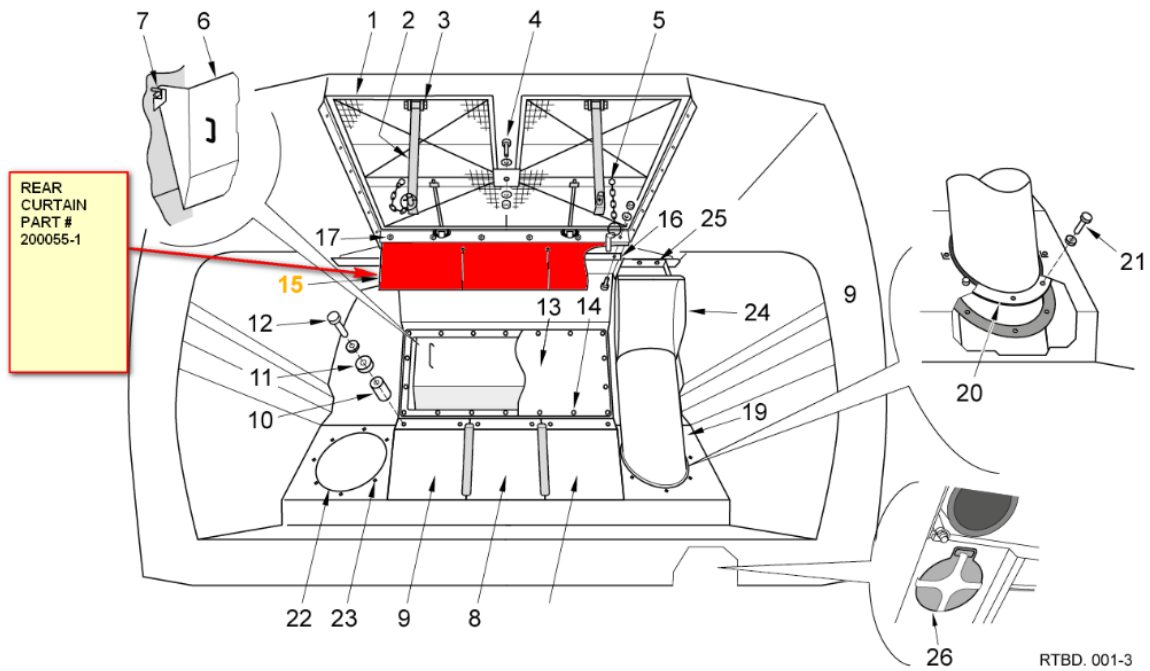
Rear Door Seal



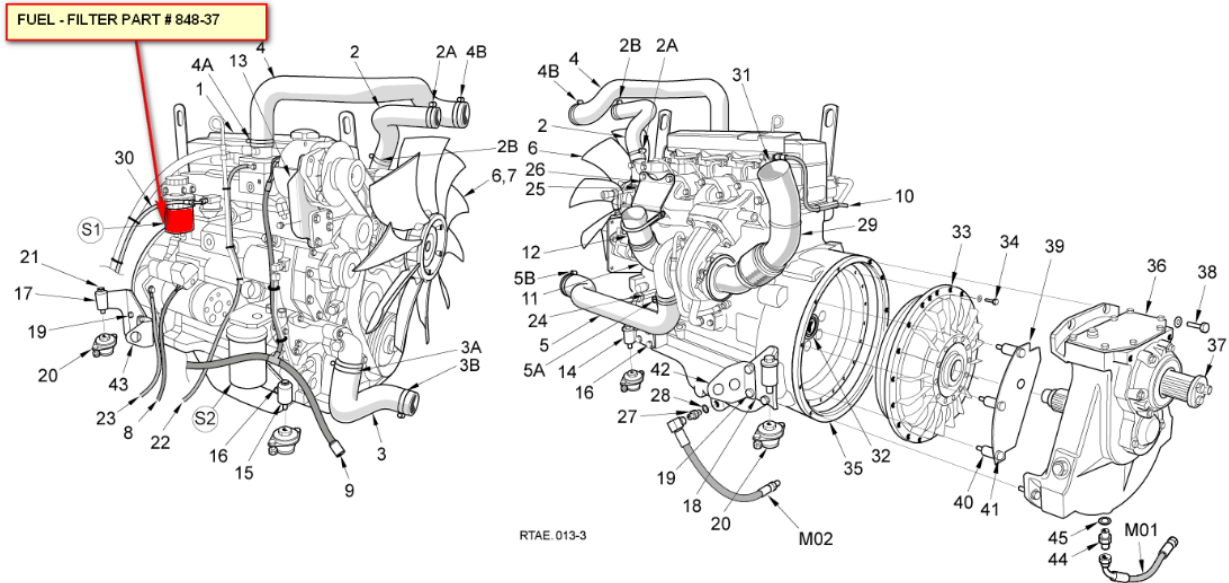
Wear Plate



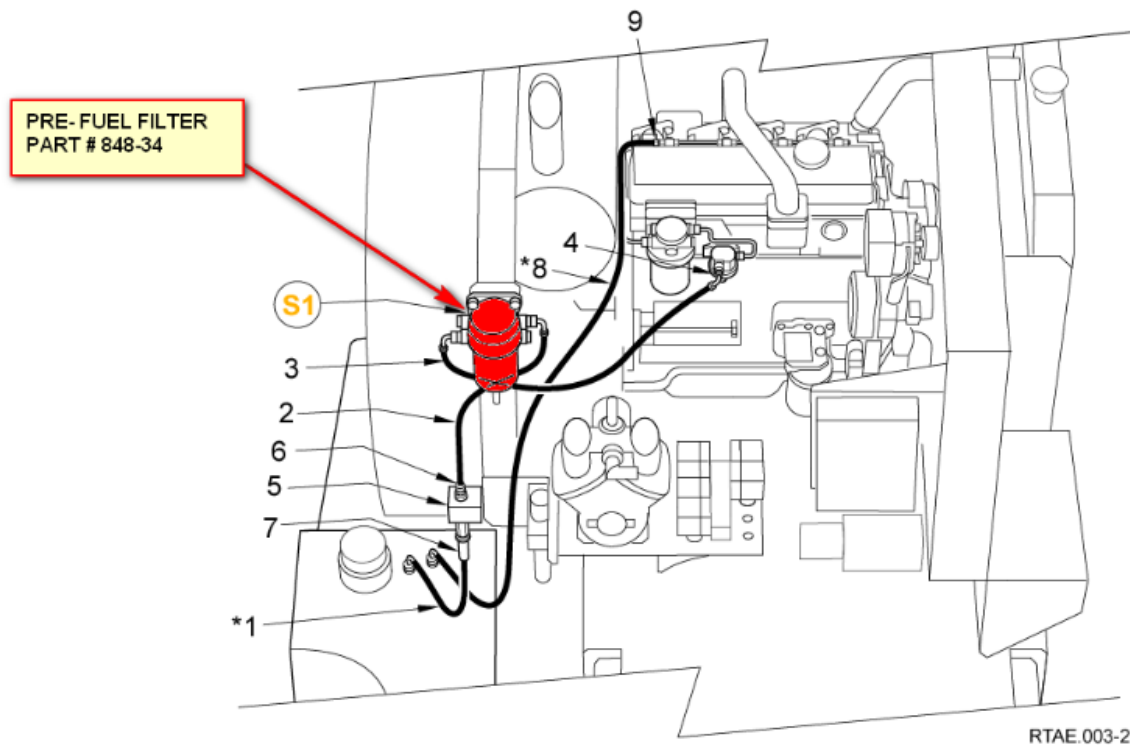
Rear Curtain



Fuel Filter



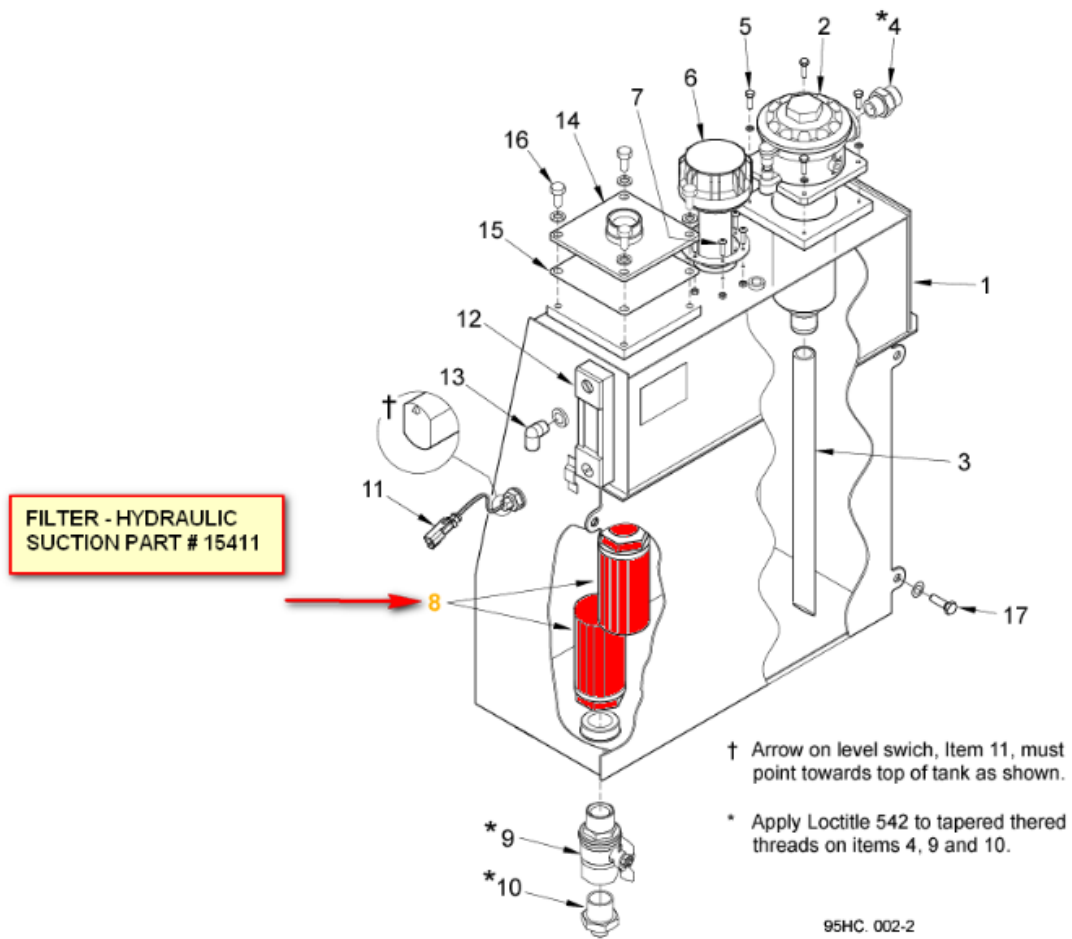
Pre Fuel Filter



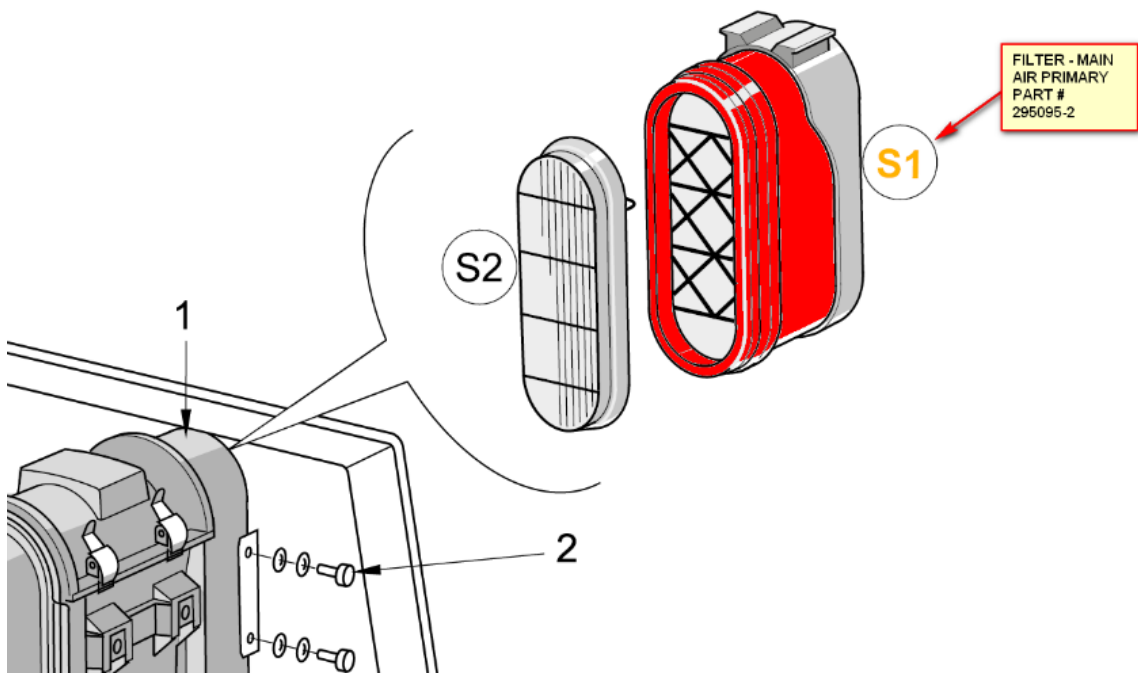
Note:

*Items may not be fitted to customer machine.
These items are replaced with fuel hoses
supplied by local Johnston agent.

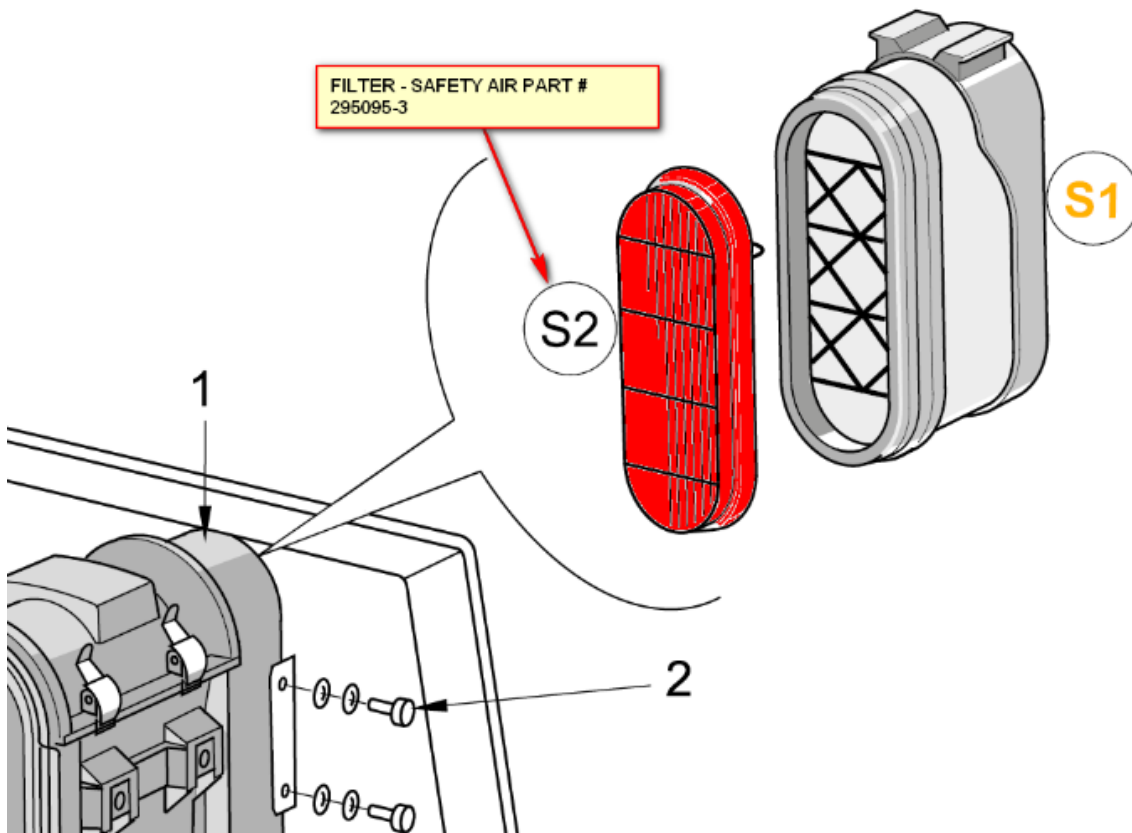
Filter Hydraulic Suction



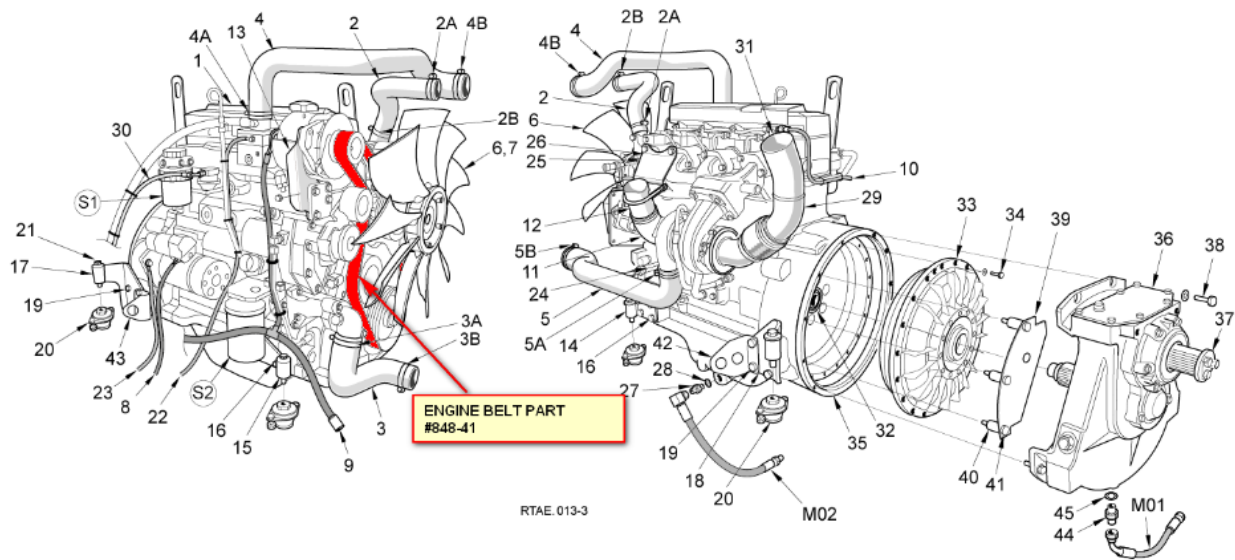
Filter Main Air



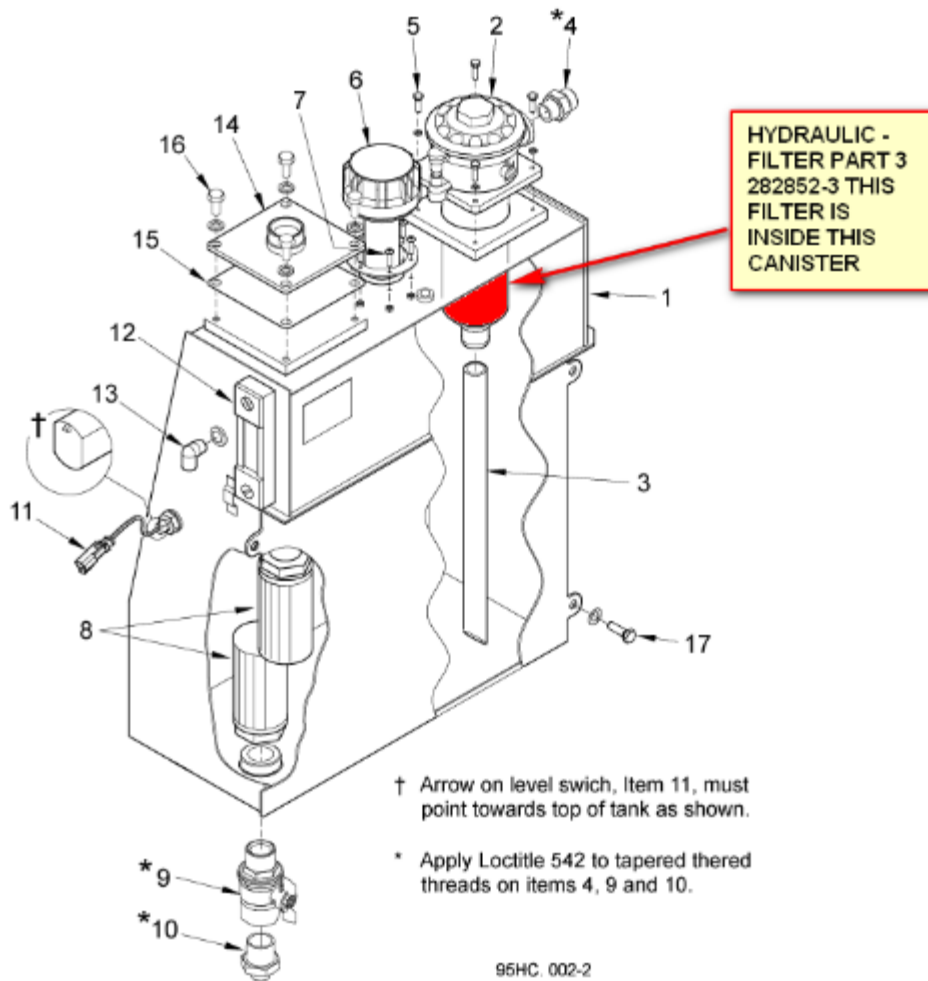
Filter Safety Air



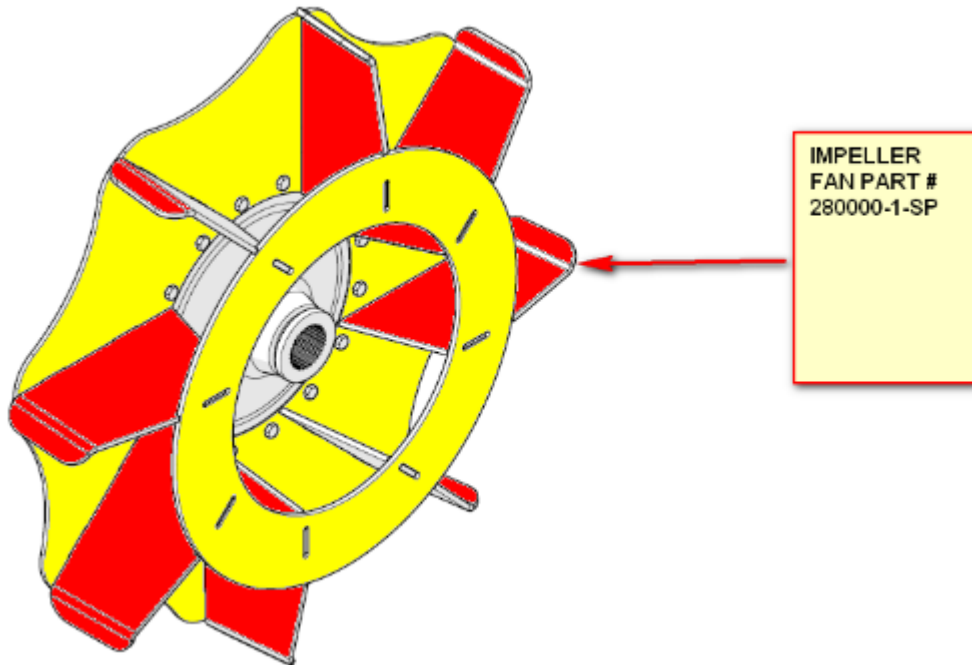
Engine Belt



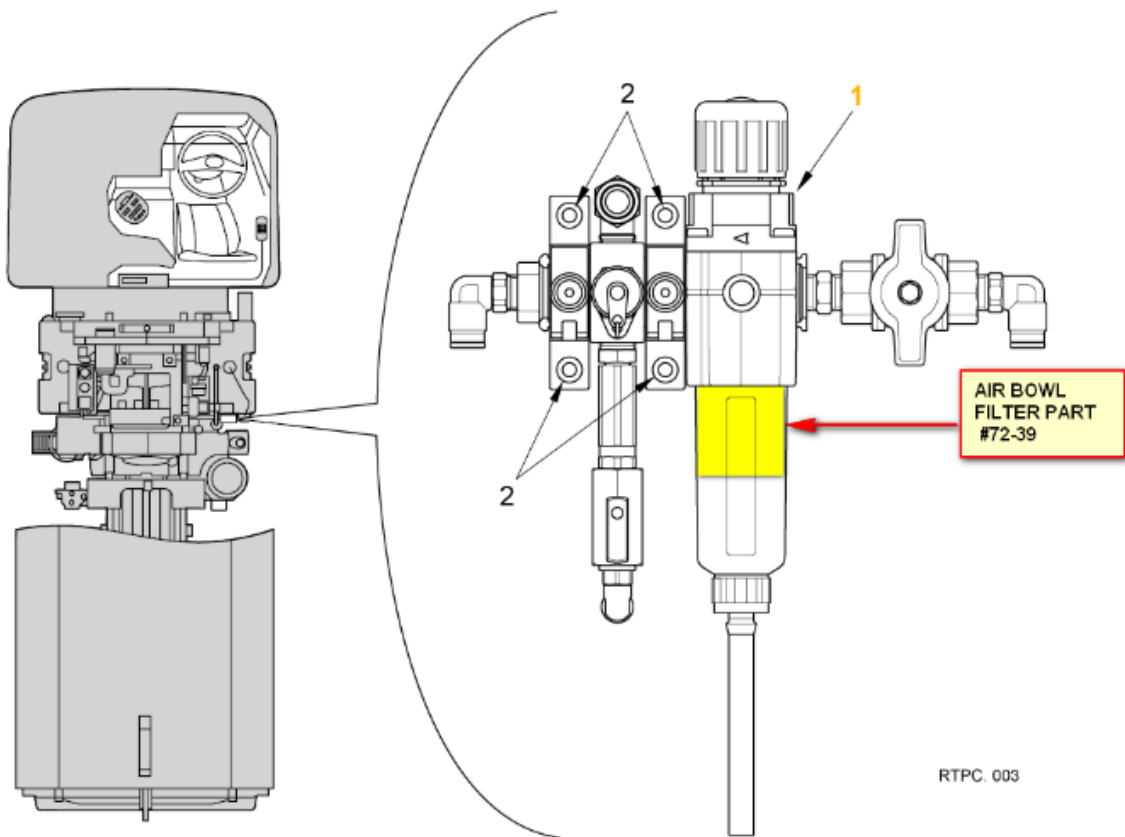
Hydraulic Filter



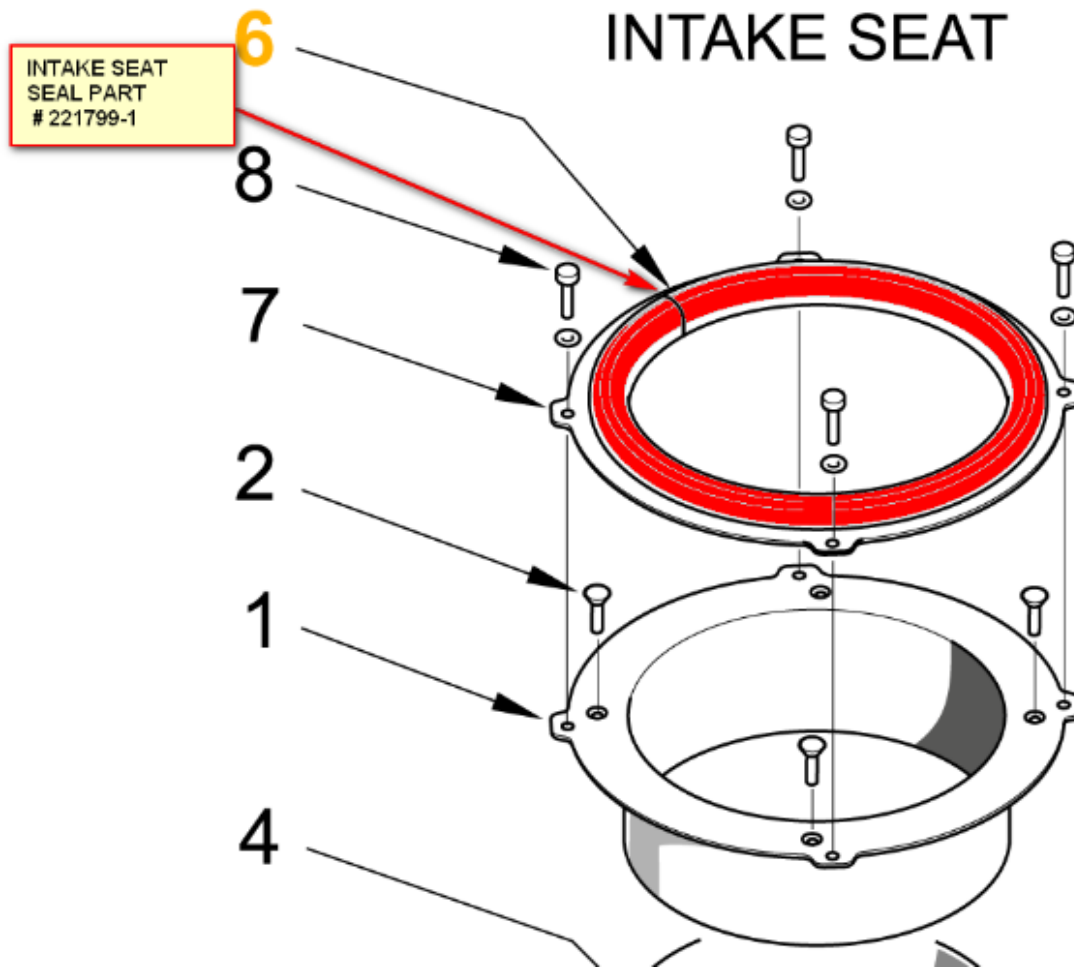
Impeller Fan



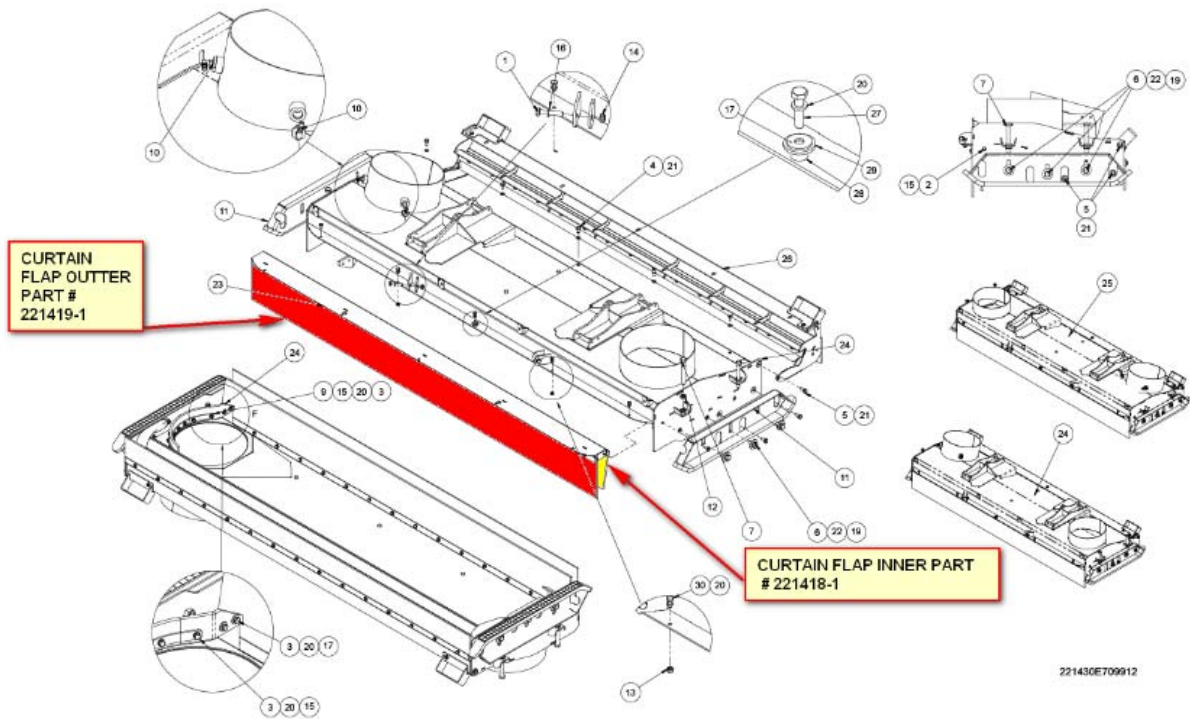
Air Bowl Filter



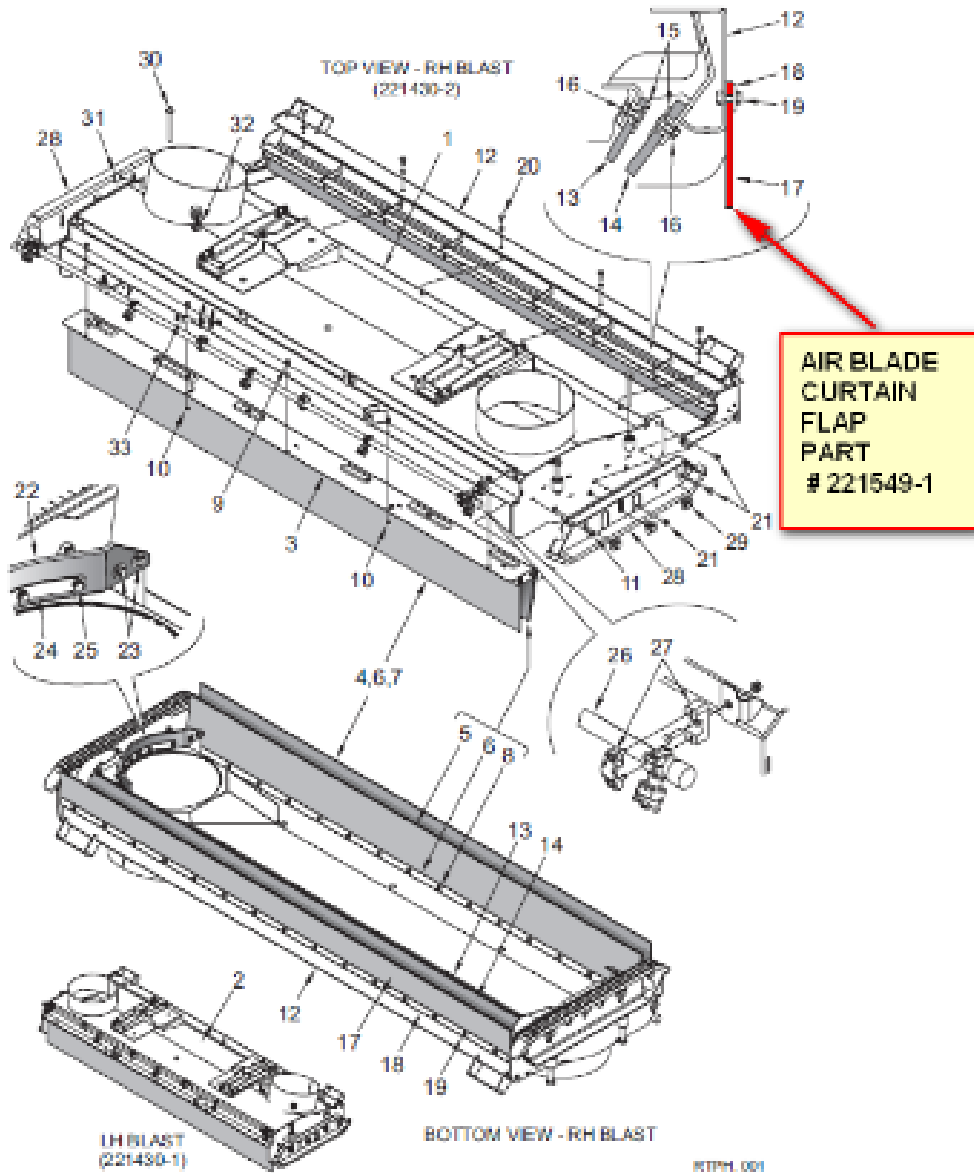
Intake Seat Seal



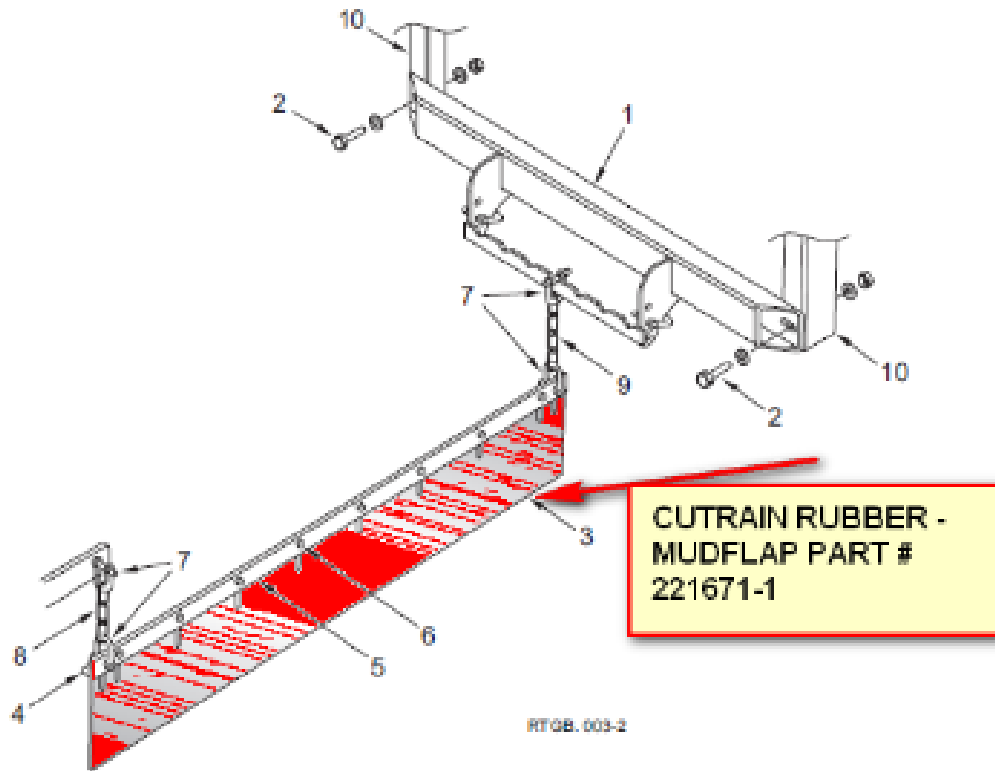
Outer and Inner Air Blade



Air Blade Curtain



Curtain Rubber Flap

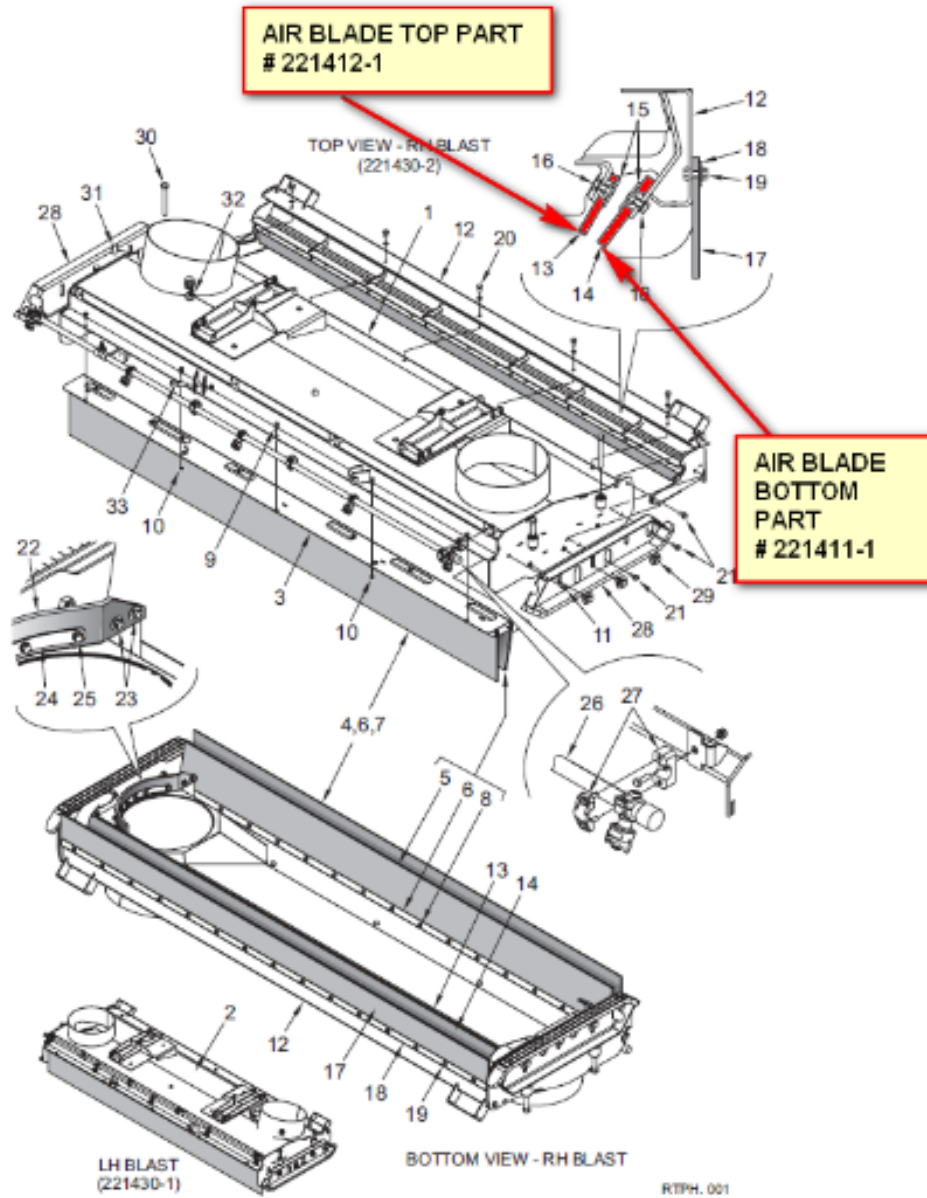


RTGB.003-2

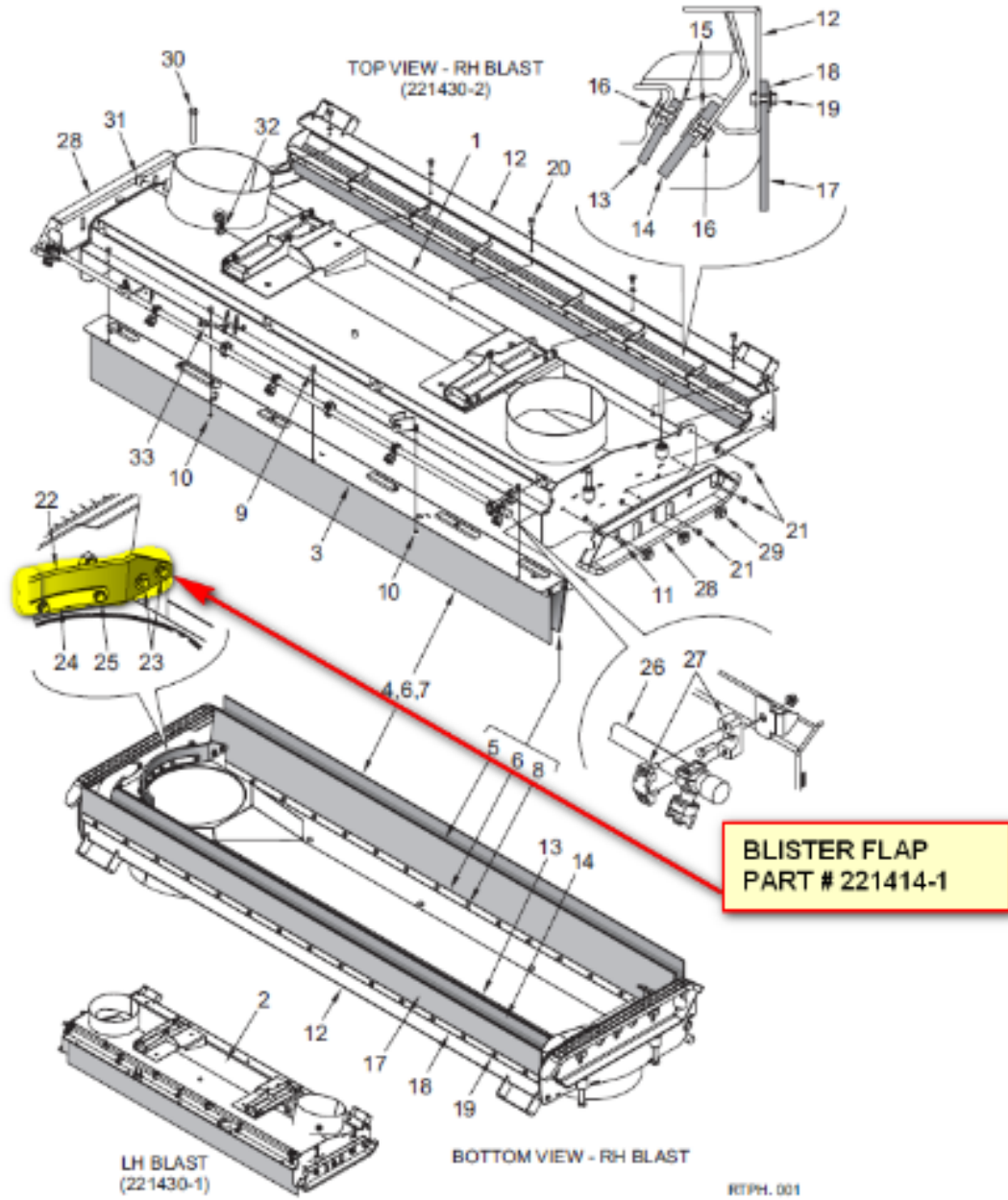
BoM M011010

Item No.	Part No.	Description	Quantity
1	221687-1	Box Section	1
2	124-203	Screw M12 x 30	2
	455-12	Washer - Plain Ø12	4
	425-16	Nut - Nyloc M12	2
3	221671-1	Curtain	1
4	221672-1	Angle	1
5	221683-1	Backing Plate	1
6	124-137	Screw M8 x 25	8
	455-10	Washer - Plain Ø8	8
	425-14	Nut - Nyloc M8	8
7	6032-1	'D' Shackle	4
8	62165-3	Chain - 3 Links	1
9	62165-4	Chain - 4 Links	1
10	-	L.H. & R.H. Supports - See next page	

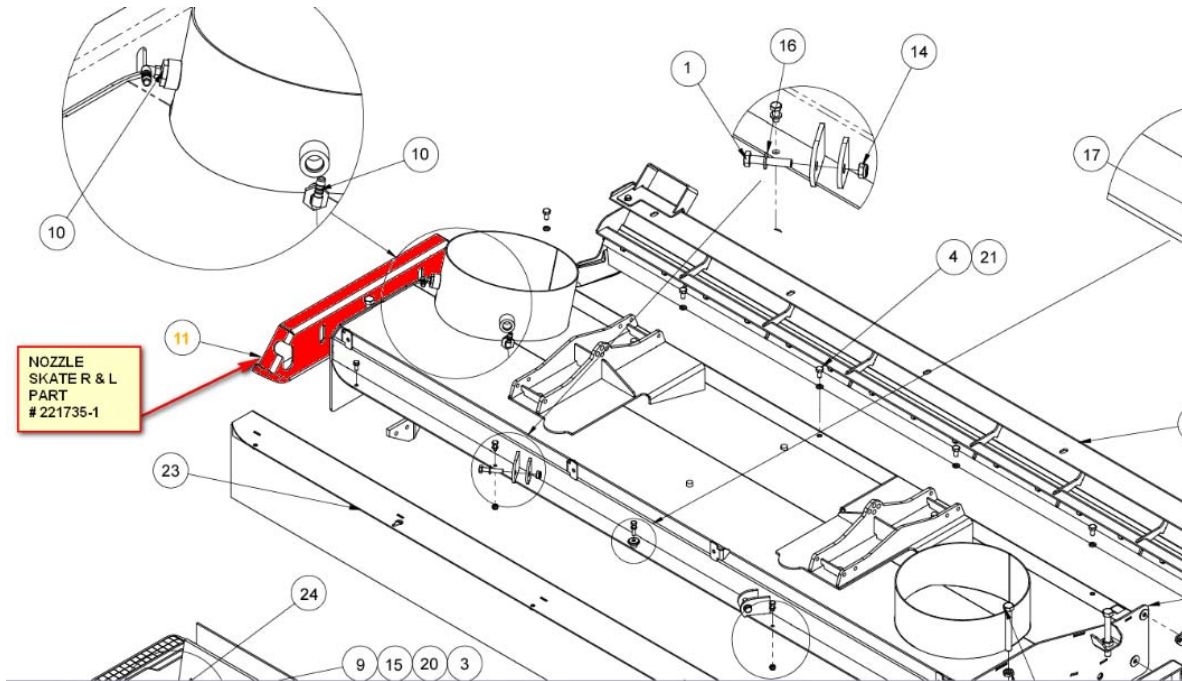
Top & Bottom Air Blade



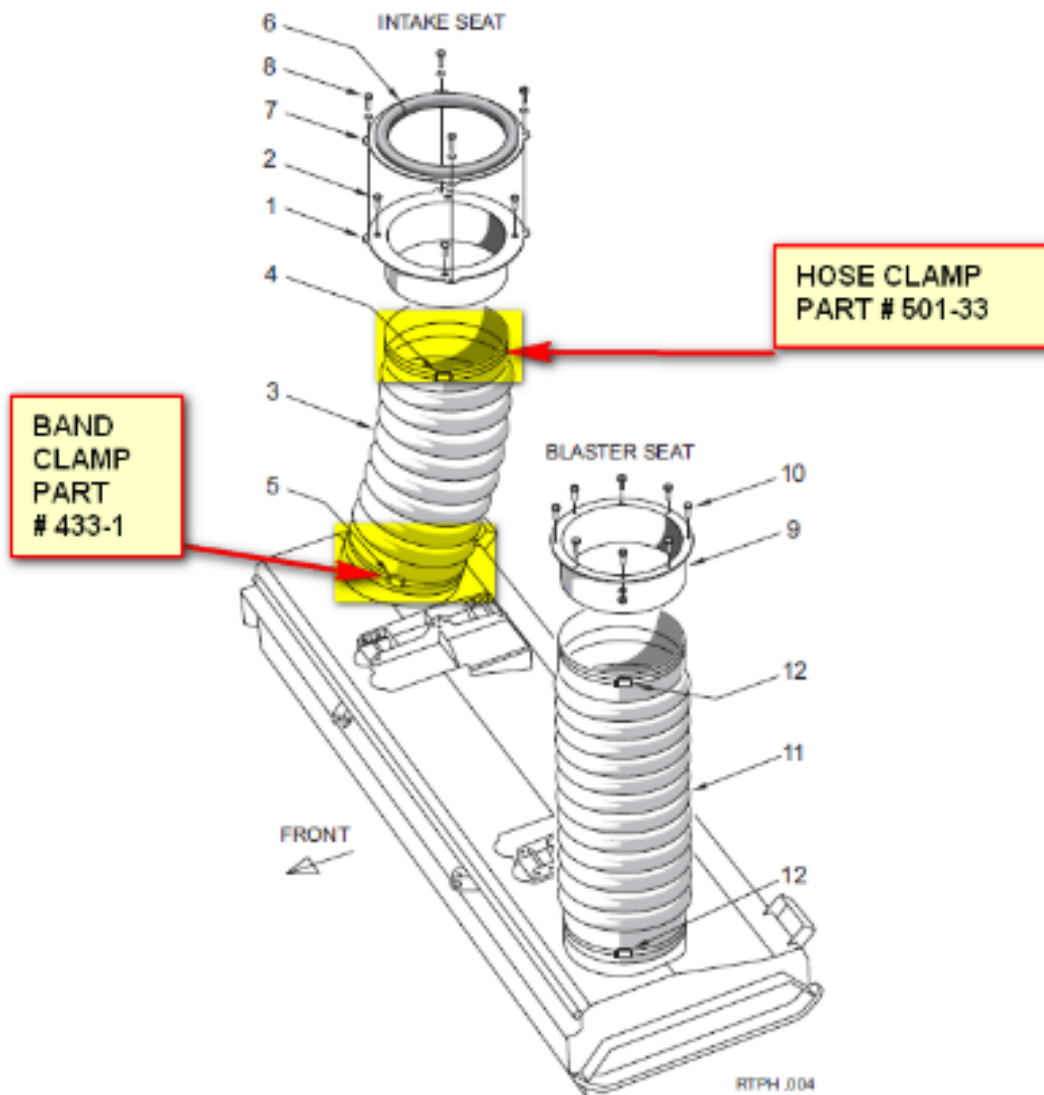
Blister Flap



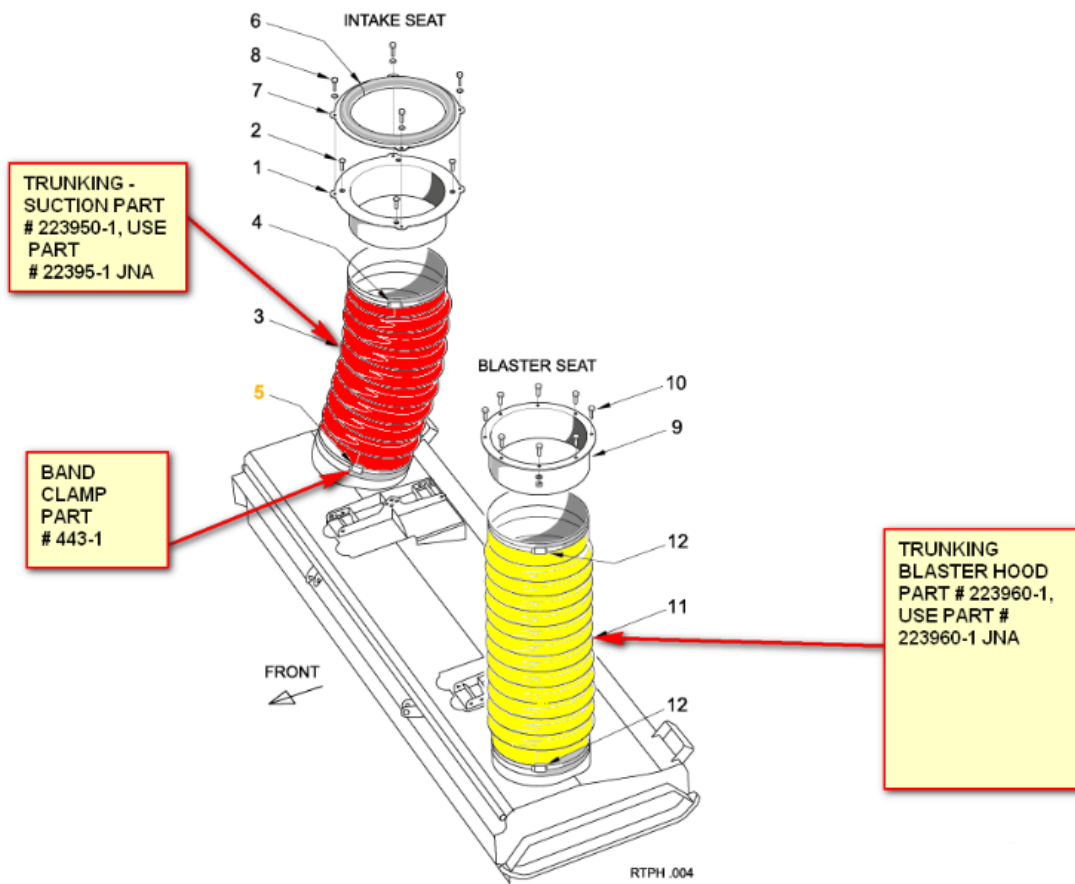
Nozzle Skate R & L



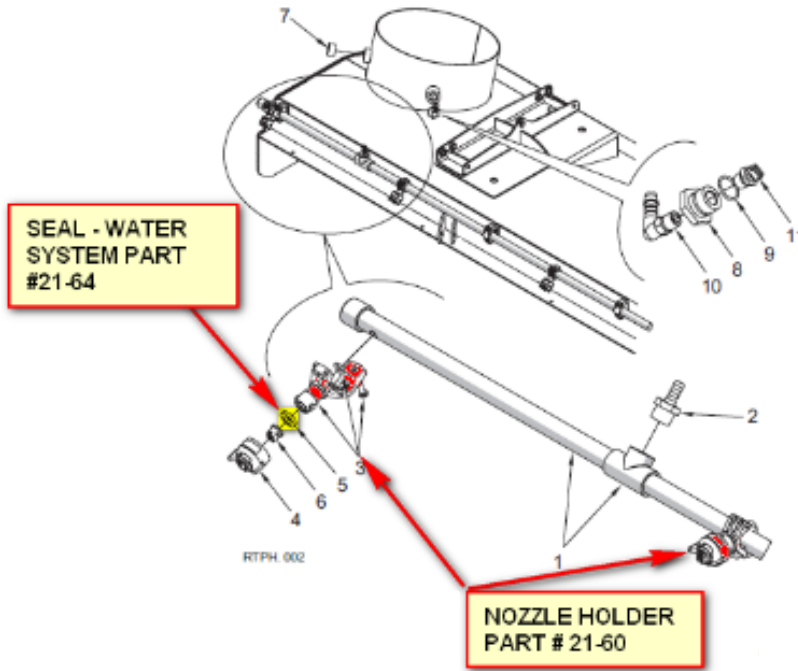
Band & Hose Clamp Trunking



Trunking R & L

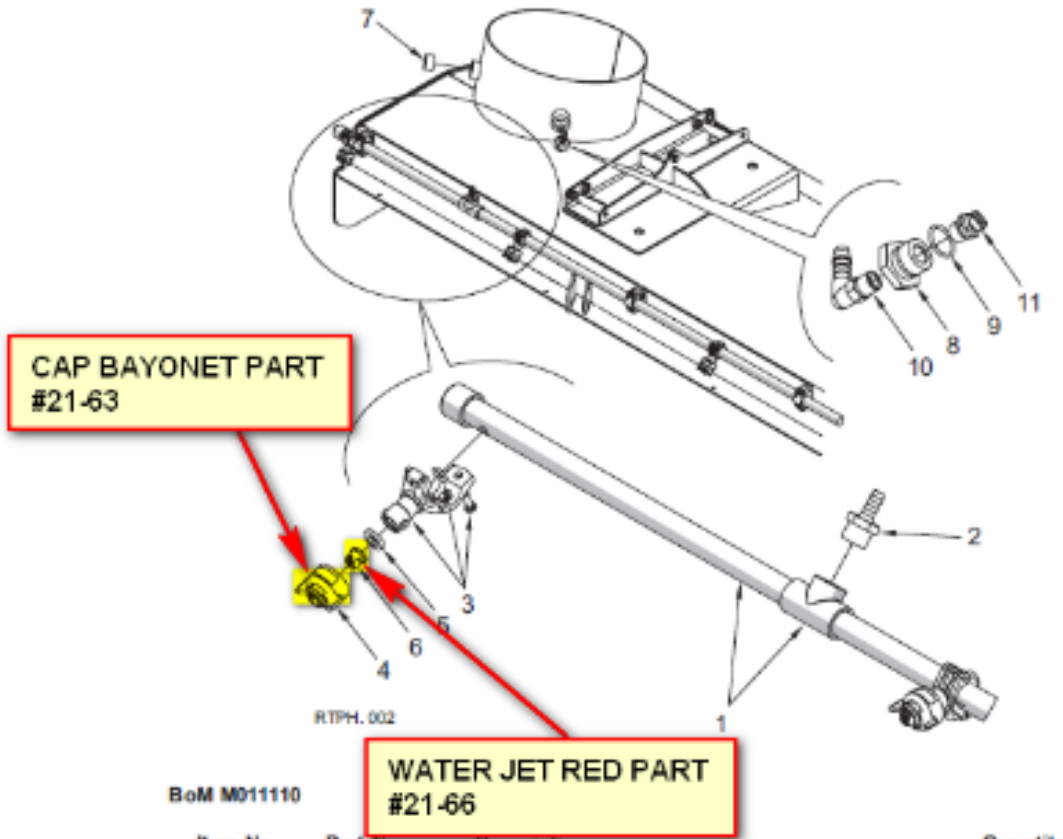


Nozzle Holder and Seal



Item No.	Part No.	Description	Quantity
	221432-1	Spray Bar Assembly comprising items 1 to 6:-	
1	21-358	Spray Bar	1
2	21-335	Hosetail	1
3	21-60	Nozzle Holder	5
4	21-63	Cap - Bayonet	5
5	21-64	Seal	5
6	21-66	Fan Jet	5
7	55-5	Plug R1"	1
	221727-1	Location Nipple Assembly comprising items 8 to 11:-	
8	221726-1	Location Nipple	1
9	80-49	'O' Ring	1
10	277-20	Elbow R1/4" x 90° x Ø10	1
11	21-22	Water Jet	1

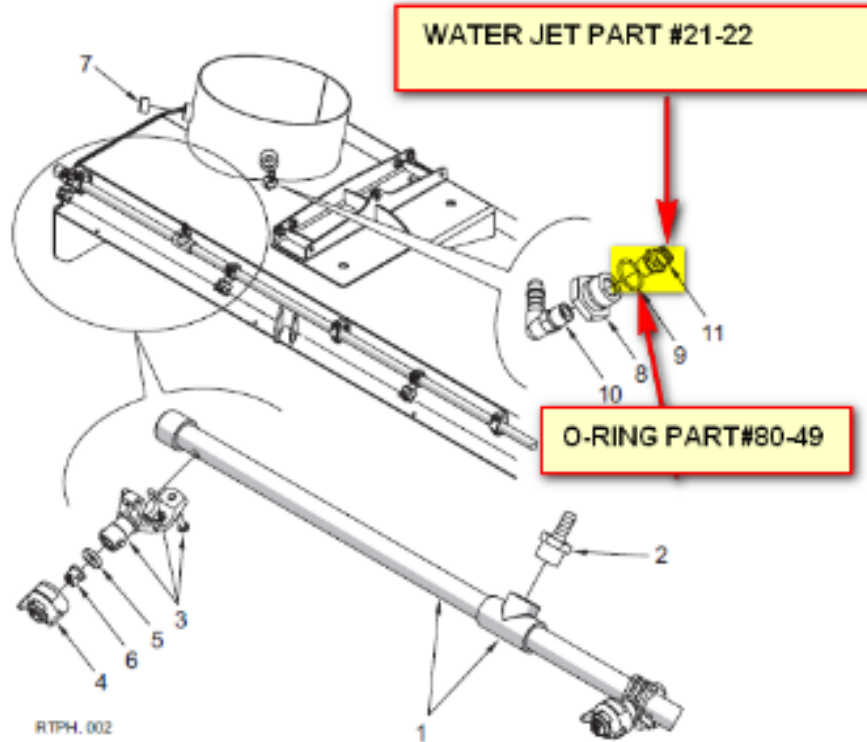
Water Jet and Bayonet



BoM M011110

Item No.	Part No.	Description	Quantity
	221432-1	Spray Bar Assembly comprising items 1 to 6:-	
1	21-358	Spray Bar	1
2	21-335	Hosetail	1
3	21-60	Nozzle Holder	5
4	21-63	Cap - Bayonet	5
5	21-64	Seal	5
6	21-66	Fan Jet	5
7	55-5	Plug R1*	1
	221727-1	Location Nipple Assembly comprising items 8 to 11:-	
8	221728-1	Location Nipple	1
9	80-49	'O' Ring	1
10	277-20	Elbow R1/4" x 90° x Ø10	1
11	21-22	Water Jet	1

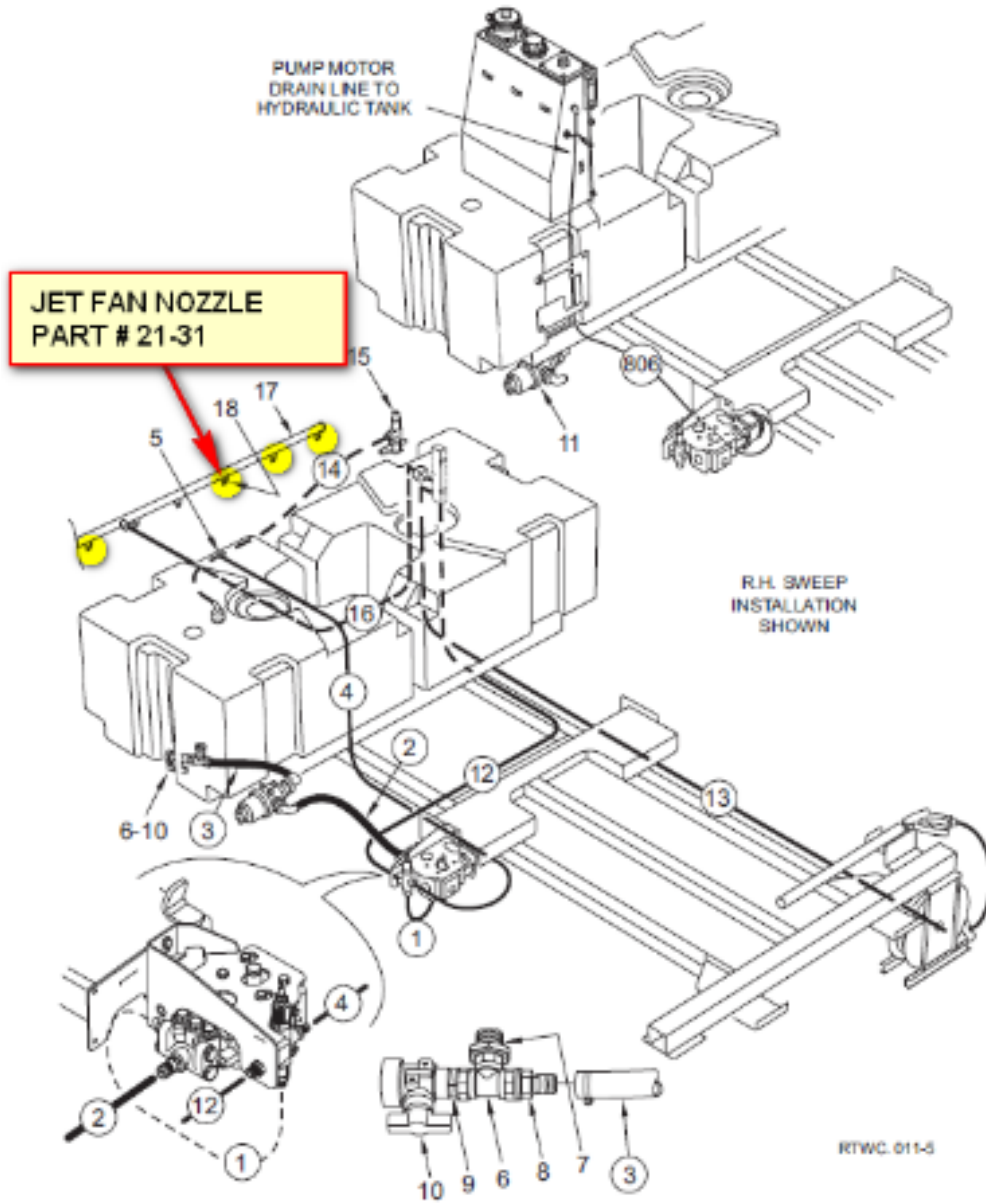
Water Jet O-Ring Spray Bar



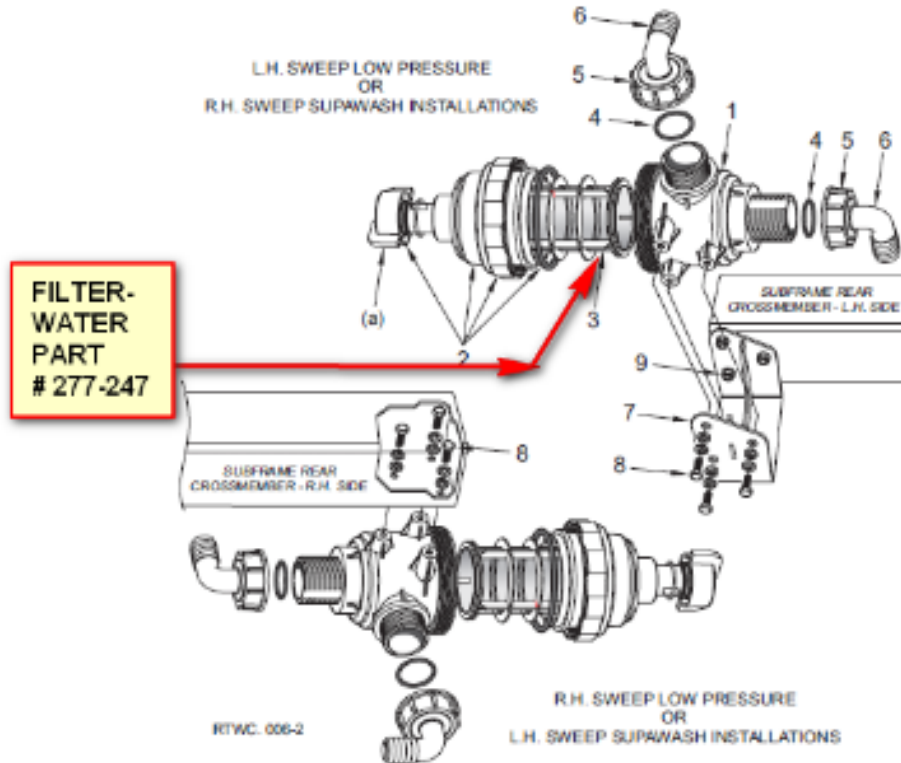
BoM M011110

Item No.	Part No.	Description	Quantity
	221432-1	Spray Bar Assembly comprising items 1 to 6:-	
1	21-358	Spray Bar	1
2	21-335	Hosetail	1
3	21-60	Nozzle Holder	5
4	21-63	Cap - Bayonet	5
5	21-64	Seal	5
6	21-68	Fan Jet	5
7	55-5	Plug R1"	1
	221727-1	Location Nipple Assembly comprising items 8 to 11:-	
8	221726-1	Location Nipple	1
9	80-49	'O' Ring	1
10	277-20	Elbow R1/4" x 90° x Ø10	1
11	21-22	Water Jet	1

Jet Fan Nozzle



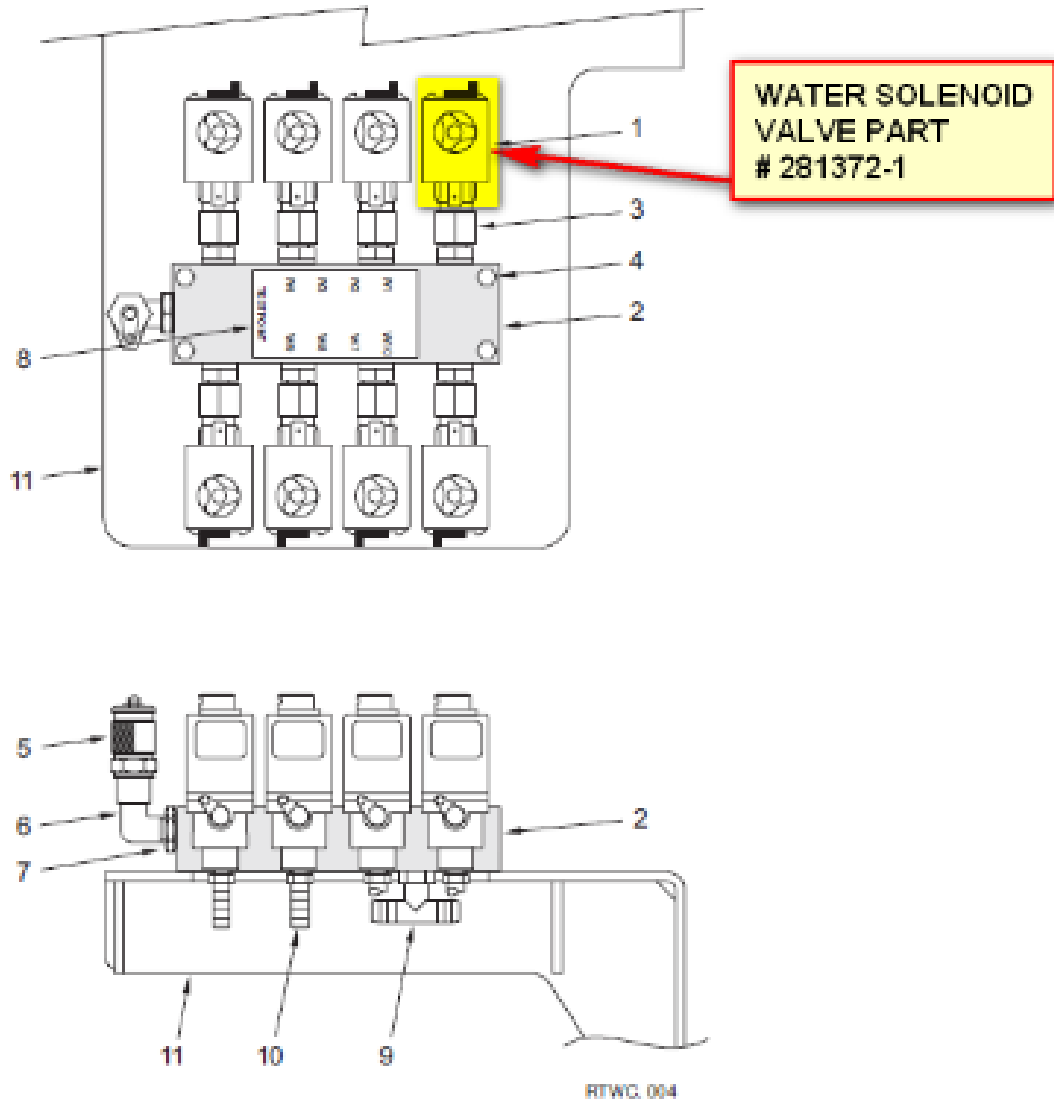
Water Filter Screen



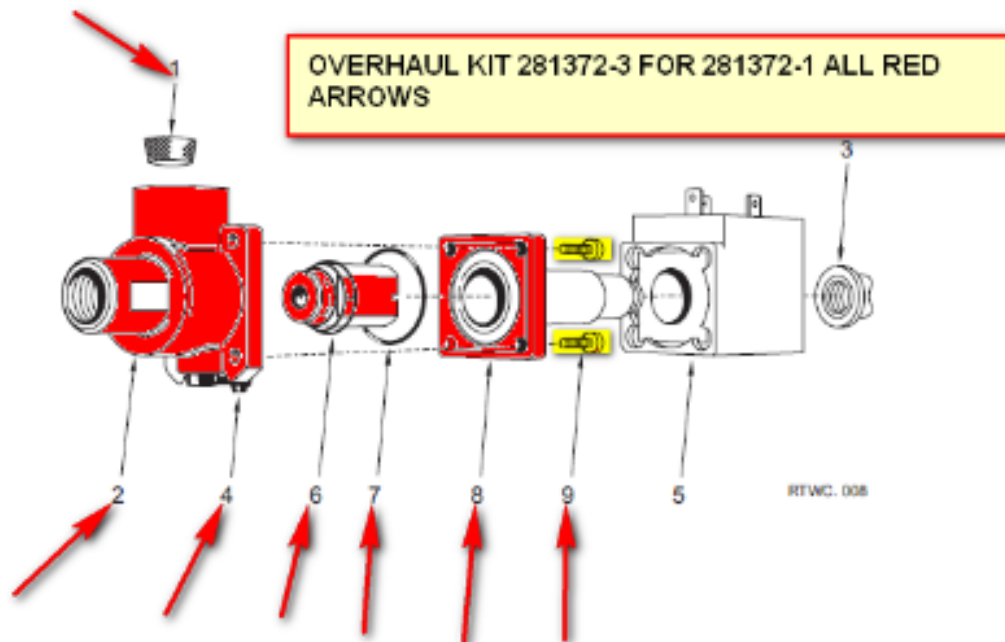
BoM M010913, KT00101

Item No.	Part No.	Description	Quantity
	281750-25	Water Filter Assembly comprising items 1 to 7->	
1	277-181	Body	1
2	277-185	Bowl - Red Plug (a)	1
3	277-247	Mesh - Grey (As Supplied - 200 Micron)	1
4	277-171	'O' Ring	2
5	277-170	Flynut	2
6	277-244	Hose Tail - 90° x Ø25	1
7	7010554	Filter Bracket	1
8	124-135	Screw M8 x 20	3
	469-10	Washer - Spring	3
	457-4	Washer - Plain	3
9	124-137	Screw M8 x 25	3
	457-4	Washer - Plain	6
	425-14	Nut - Nyloc M8	3

Water Solenoid Valve



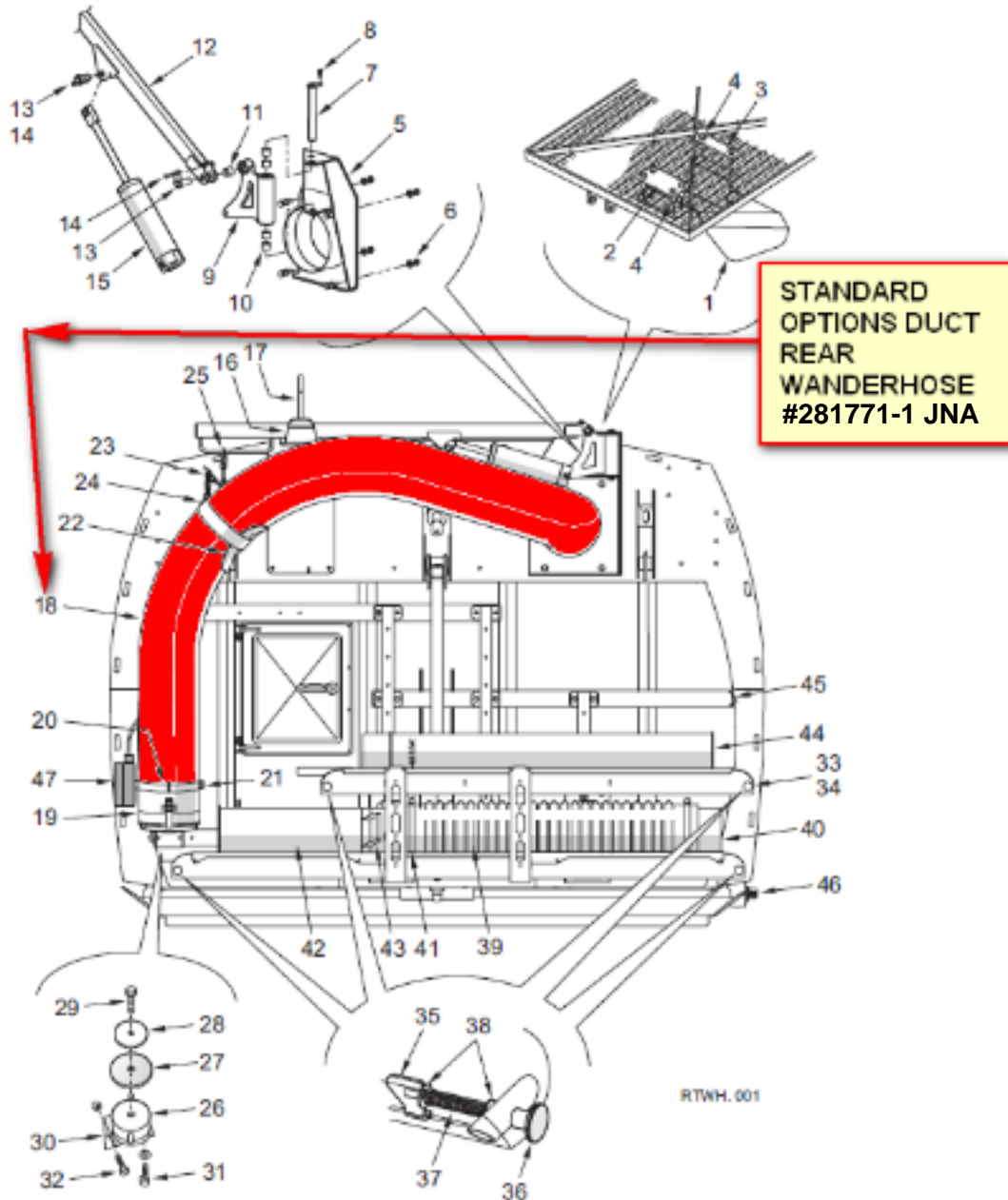
Water Solenoid Overhaul Kit



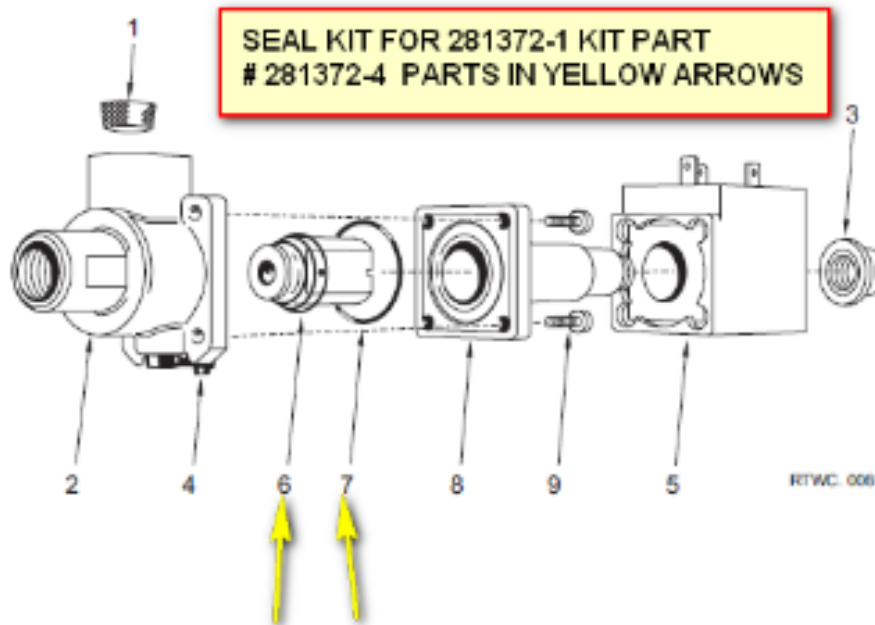
RTWC. 008

Item No.	Part No.	Description	Quantity
	281372-1	Water Valve Assembly 12v	
	281372-2	Water Valve Assembly 24v	
1	13170	Each comprising: Filter	1
2	NSS	Base	1
3	281372-5	Lock Nut	1
4	40664-13	Lever Kit comprising: Lever, 'O' Ring and Circlip	
5	281372-12	Coil 12v	1
	281372-24	Coil 24v	1
6	NSS	Armature	1
7	NSS	'O' Ring	1
8	NSS	Armature Housing	1
9	NSS	Setscrews	4
	281372-3	Overhaul Kit comprising items 1, 2, 4, 6, 7, 8 and 9	
	281372-4	Seal Kit comprising items 6 and 7	

Standard Wanderhose Option

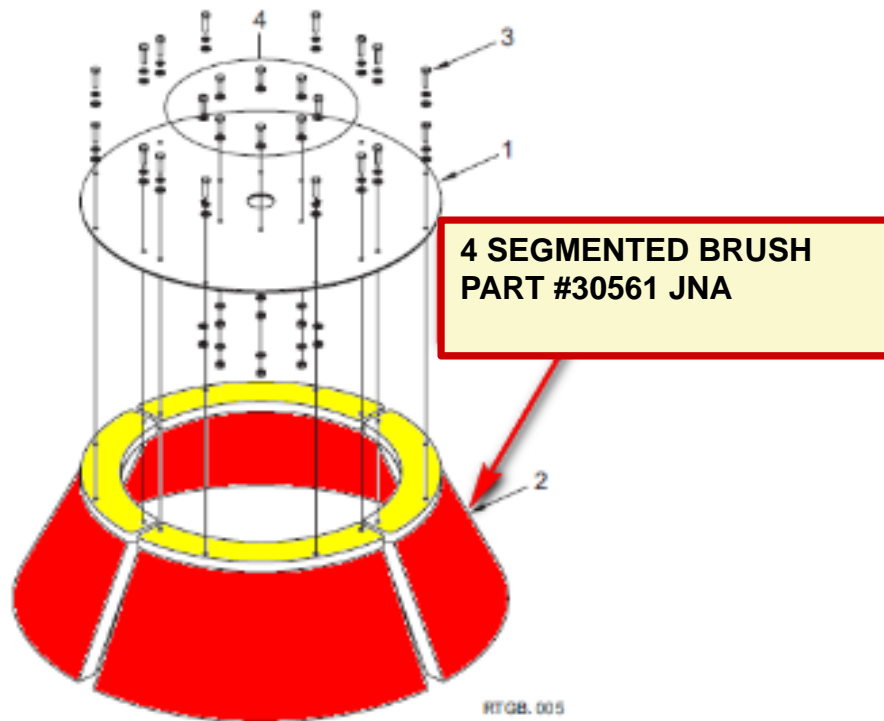


Seal Kit



Item No.	Part No.	Description	Quantity
	281372-1	Water Valve Assembly 12v	
	281372-2	Water Valve Assembly 24v	
		Each comprising:	
1	13170	Filter	1
2	NSS	Base	1
3	281372-5	Lock Nut	1
4	40664-13	Lever Kit comprising: Lever, 'O' Ring and Circlip	
5	281372-12	Coil 12v	1
	281372-24	Coil 24v	1
6	NSS	Armature	1
7	NSS	'O' Ring	1
8	NSS	Armature Housing	1
9	NSS	Setscrews	4
	281372-3	Overhaul Kit comprising items 1, 2, 4, 6, 7, 8 and 9	
	281372-4	Seal Kit comprising items 6 and 7	

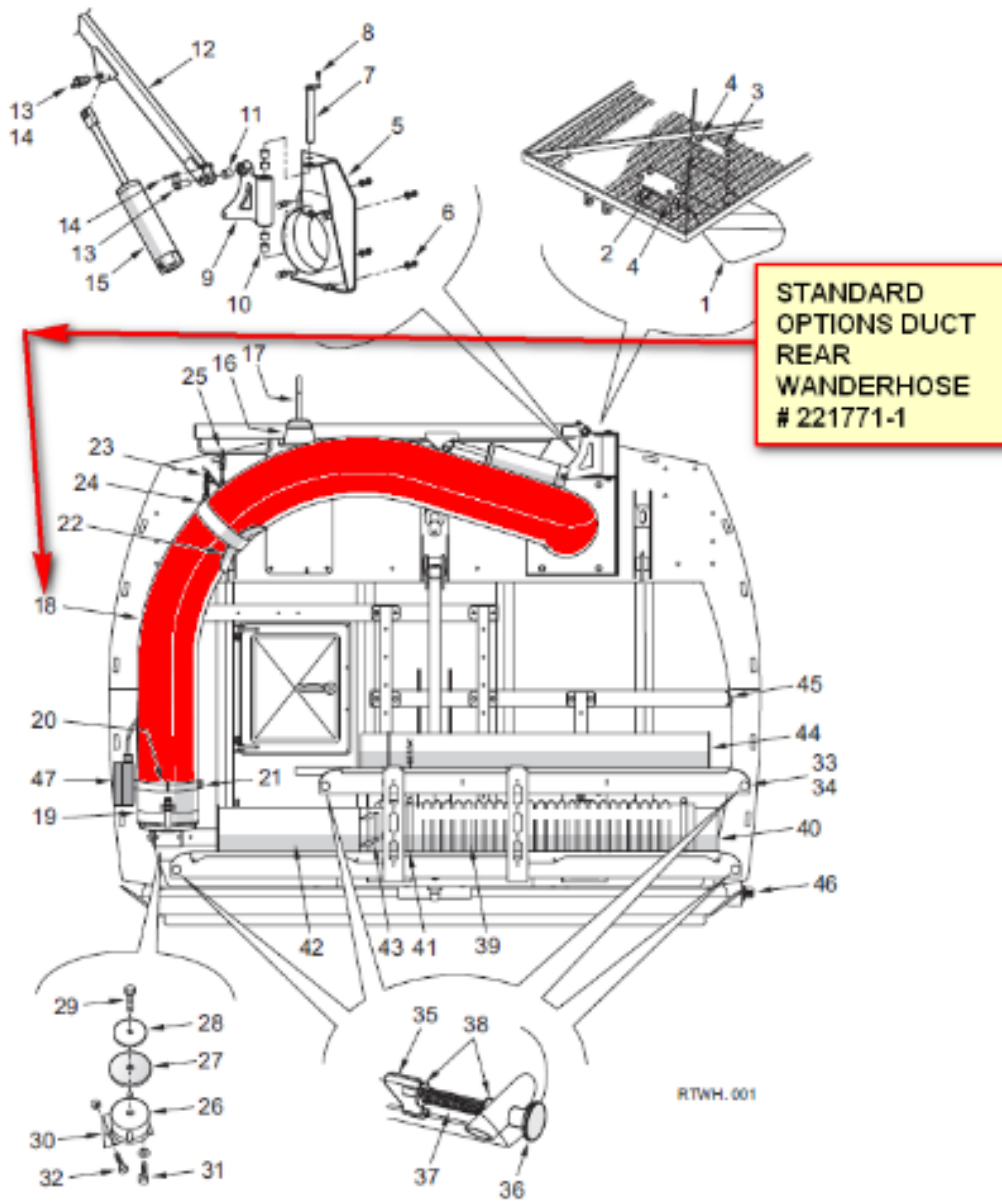
Gutter Broom



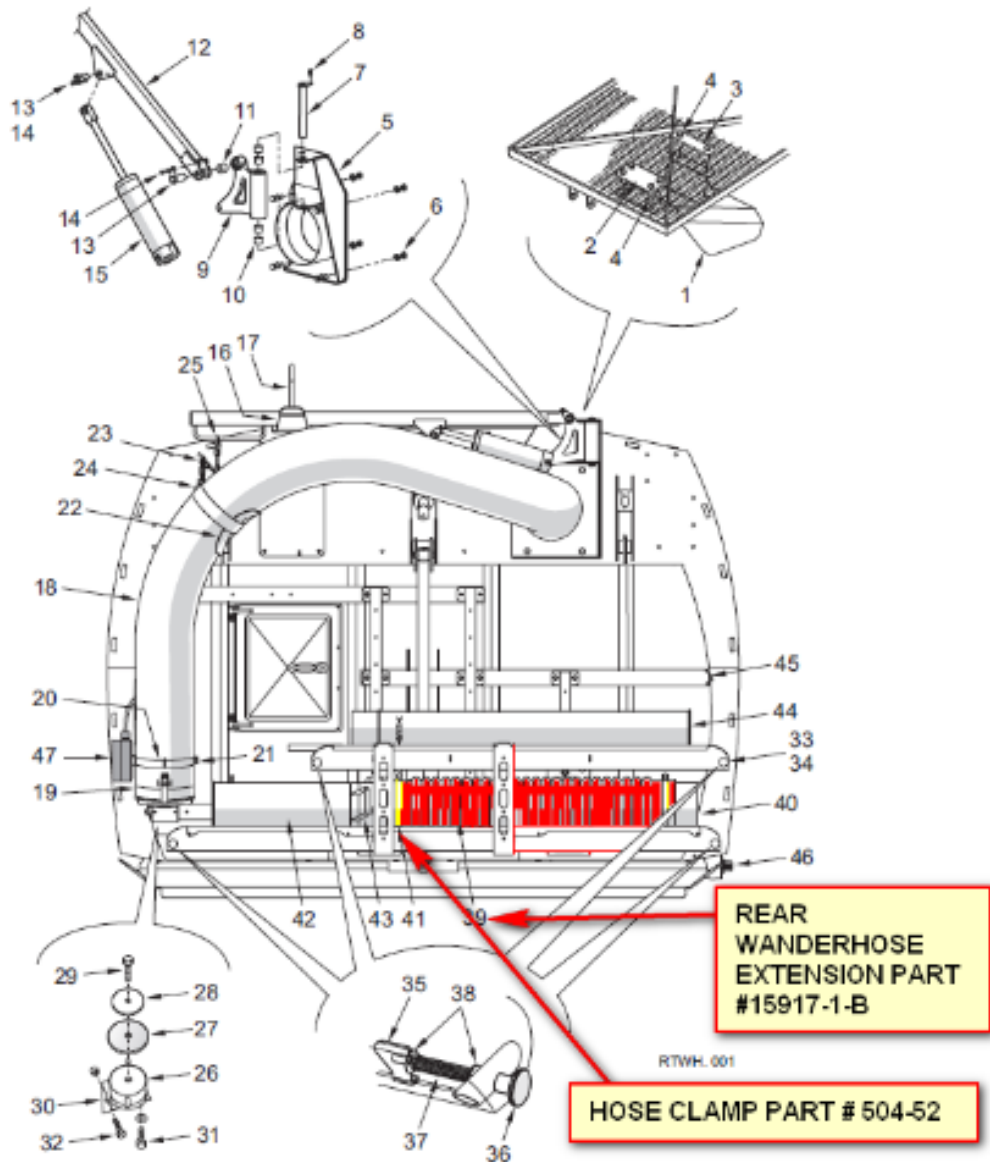
BoM M011230

Item No.	Part No.	Description	Quantity
	221740-1	Stock Assembly Comprising:-	
1	221816-1	Plate - Brush Mount	1
2	221896-1	Brush Segment	4
3	124-175	Screw M10 x 40	16
	460-11	Washer - Spring Ø10	16
	455-11	Washer - Plain Ø10	16
4	124-173	Screw M10 x 35) Drive Plate	8
	455-11	Washer - Plain Ø10) to	8
	425-15	Nut - Nyloc M10) Brush Mount	8

Standard Wanderhose Option



Wanderhose Ext. and Hose Clamp





RT655 OPTIMAL PERFORMANCE SERVICE SCHEDULE

Part Number	Description	U.O.M	Location of Part	SERVICE HOURS		
				EVERY 50 HOURS	600 HOURS	1200 HOURS / ANNUALLY
72-39	Filter Regulator	EA	Air Bowl Filter		X	X
217-47	Door Seal	EA	Body			X
281777-3	Rear Door Seal	EA	Body			X
200055-1	Rear Hopper Curtain	EA	Body			X
848-39	Fuel Filter Element	EA	Engine	X	X	X
848-40	Pre Fuel Filter	EA	Engine	X	X	X
295095-2	Filter - Main Air	EA	Engine	X	X	X
295095-3	Filter - Safety Air	EA	Engine	X	X	X
848-22	Filter - Oil	EA	Engine	X	X	X
282852-3	Hydraulic Return Filter	EA	Engine	X	X	X
848-41	Belt- Alternator	EA	Engine		X	X
15411	Hydraulic Suction Filter	EA	Hydraulic		X	X
221799-1	Intake Seal	EA	Intake Seat			X
30561 JNA	Gutter Brooms	EA	Sweep Gear	X	X	X
221419-1	Outer Curtain Flap	EA	Sweep Gear		X	X
221549-1	Air Blade Curtain Flap	EA	Sweep Gear		X	X
221671-1	Curtain Mudflap	EA	Sweep Gear		X	X
221411-1	Air Blade Curtain Flap	EA	Sweep Gear		X	X
221412-1	Air Blade Curtain Flap	EA	Sweep Gear		X	X
221414-1	Blister Flap	EA	Sweep Gear		X	X
223950-1 JNA	Trunking Suction	EA	Vacuum			X
223960-1 JNA	Trunking Blaster	EA	Vacuum			X
221771-1 JNA	Rear Door Wanderhose	EA	Wander Hose Option			X
277-247	Water Pump Suction Filter	EA	Water		X	X
6974-1-C	Water Pump Suction Filter	EA	Water		X	X
21-64	Water Nozzle Seal	EA	Water System		X	X
21-60	Water Nozzle Seal	EA	Water System		X	X
21-66	Water Jet Red	EA	Water System		X	X
21-63	Water Jet Cap	EA	Water System		X	X
21-31	Water Jet	EA	Water System		X	X
281372-1	Water Solenoid	EA	Water System		X	X



PARTS DEPARTMENT

Christopher Ruggieri, Parts Manager
P: 704.658.1333 ext. 110

Kevin Stutts, Parts Specialist
P: 704.658.1333 ext. 106

Your Local Dealer:



Contact us:

Johnston North America

Parts Department

606 A&B Performance Road

Mooresville, NC 28115

Website: <http://johnstonnorthamerica.com>

Chris Ruggieri

Phone: 704.658.1333 ext. 110

christopher.ruggieri@johnstonnorthamerica.com

Kevin Stutts

Phone: 704.658.1333 ext. 106

Kevin.stutts@johnstonnorthamerica.com

When contacting us:

- Always provide the EQ number of the machine when calling in or emailing an inquiry.

Note: The EQ/Serial Number is located on the rear of the truck under the hopper on the cross member.

- When verifying a part number, please present/state the part number you think it is.
- If part number cannot be located in the appropriate parts manual, be very descriptive of the location on the machine and function of the part required. Photos are recommended.
- Shipping Instructions - State on your PO whether the parts are to be shipped by air, truck, UPS...etc.



Due to continuous product development Johnston North America reserves the right to alter specifications without prior notice.
Copyright © 2015 Johnston North America RTRANGEJNA0315