



Johnston

NORTH AMERICA

QUICK REFERENCE GUIDE for Common Wear Parts

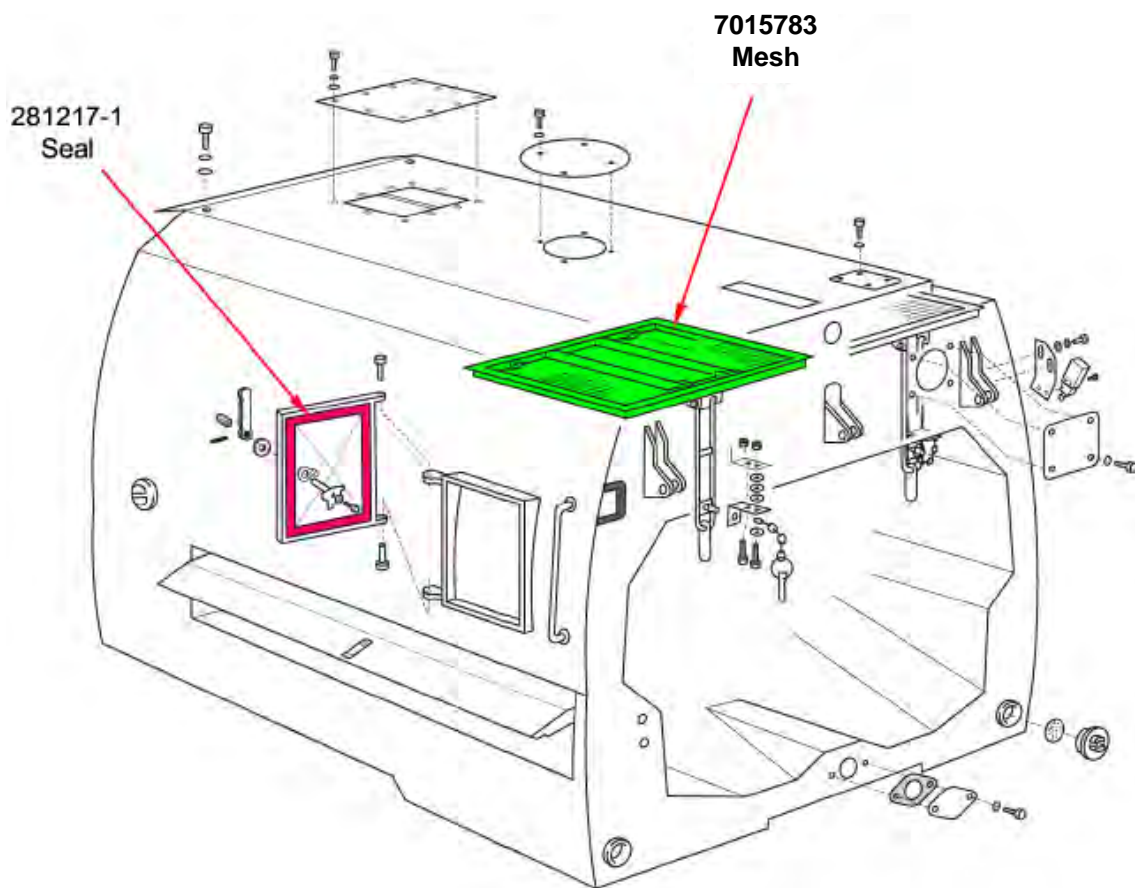


VT651/VT801 Series
Vacuum Sweeper

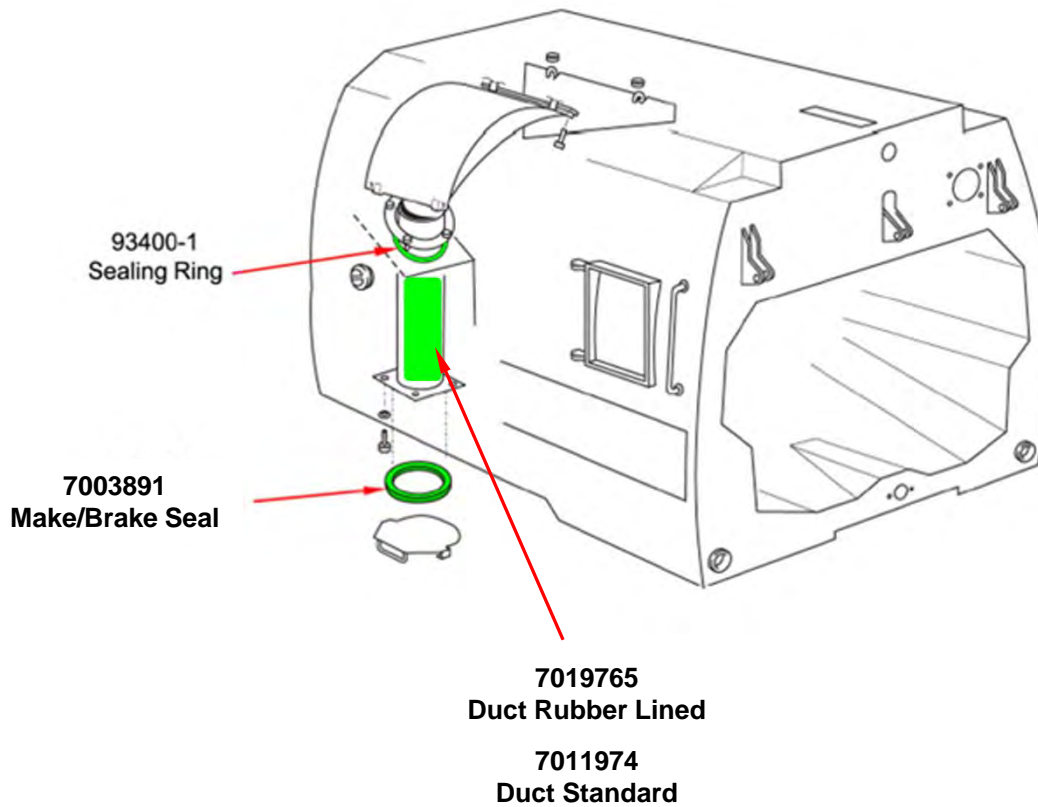
Table of Contents

Mesh Screens & Doors	3
Intake Components	4
Seal-Suction System	5
Water Components	6
Hooper Door Seals	7
Gutter Broom Brush	8
Suction Nozzle Rubber Curtains	9
Suction Nozzle Trunking Assembly	10
Suction Nozzle Wheel	11
Cowl & Radiator Seals	12
Cowl Seals & Soundproofing	13
John Deere Engine Filters	14
Air Cleaner	15
Channel Brush Curtains	16
Wide Sweep Brush Assembly	17
Powaboom Assembly	18
Hydraulic Tank Filters	19
Water Filter Assembly	20

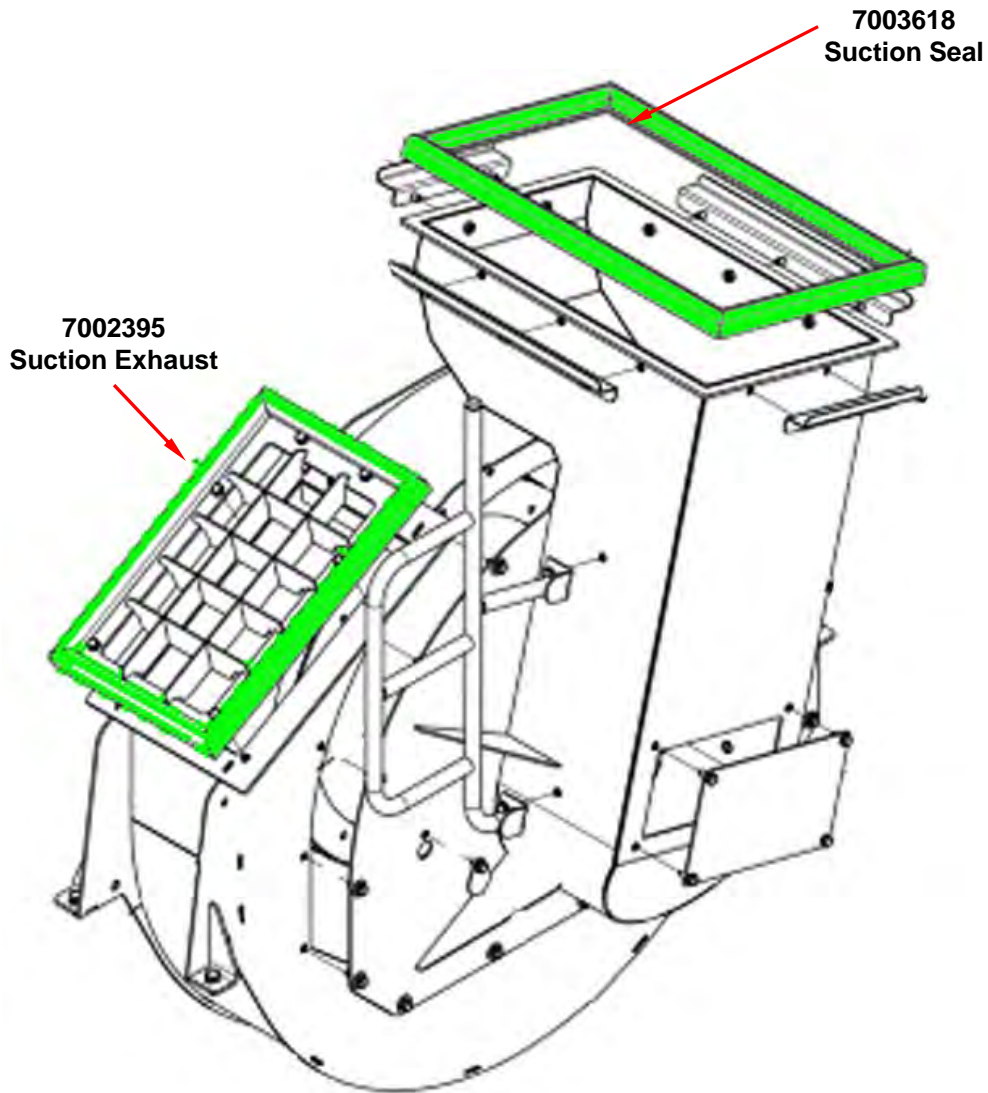
Mesh Screens & Doors



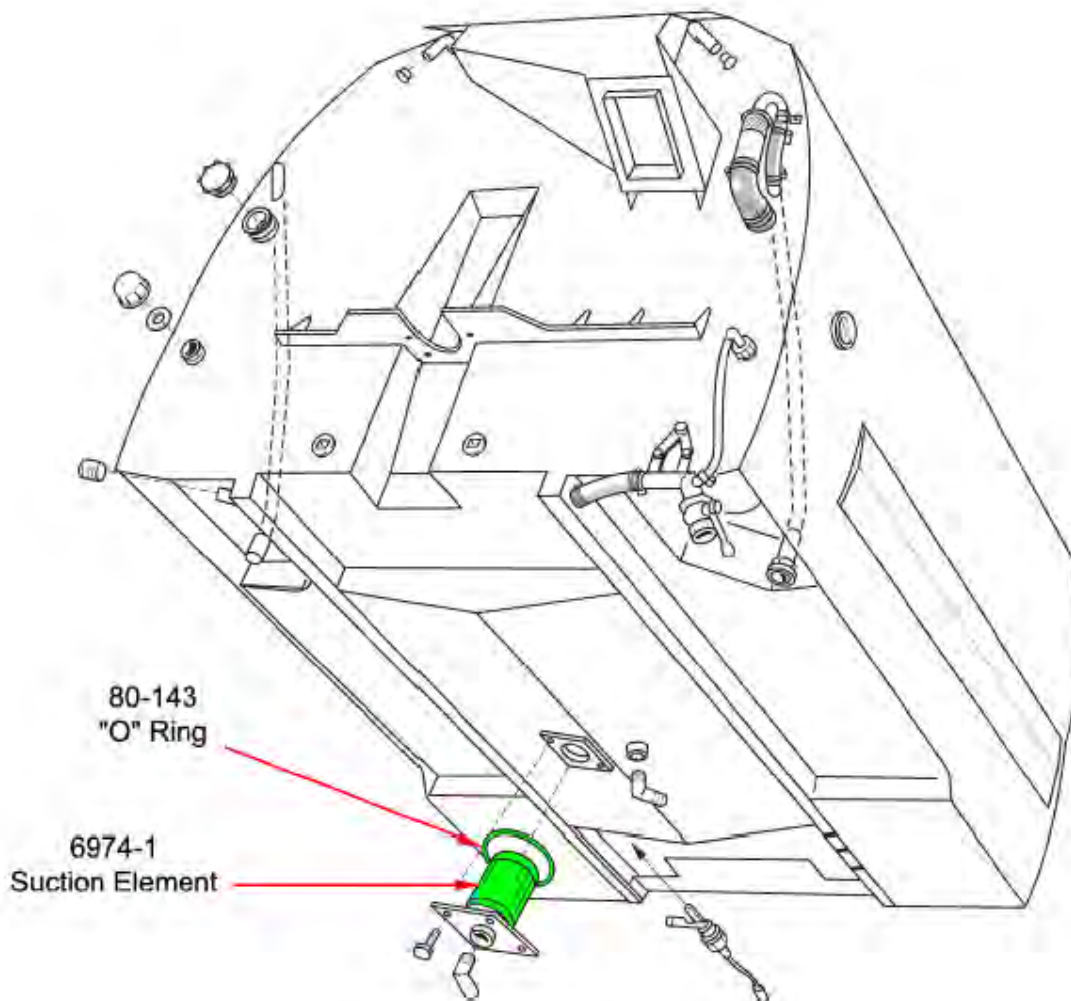
Intake Components



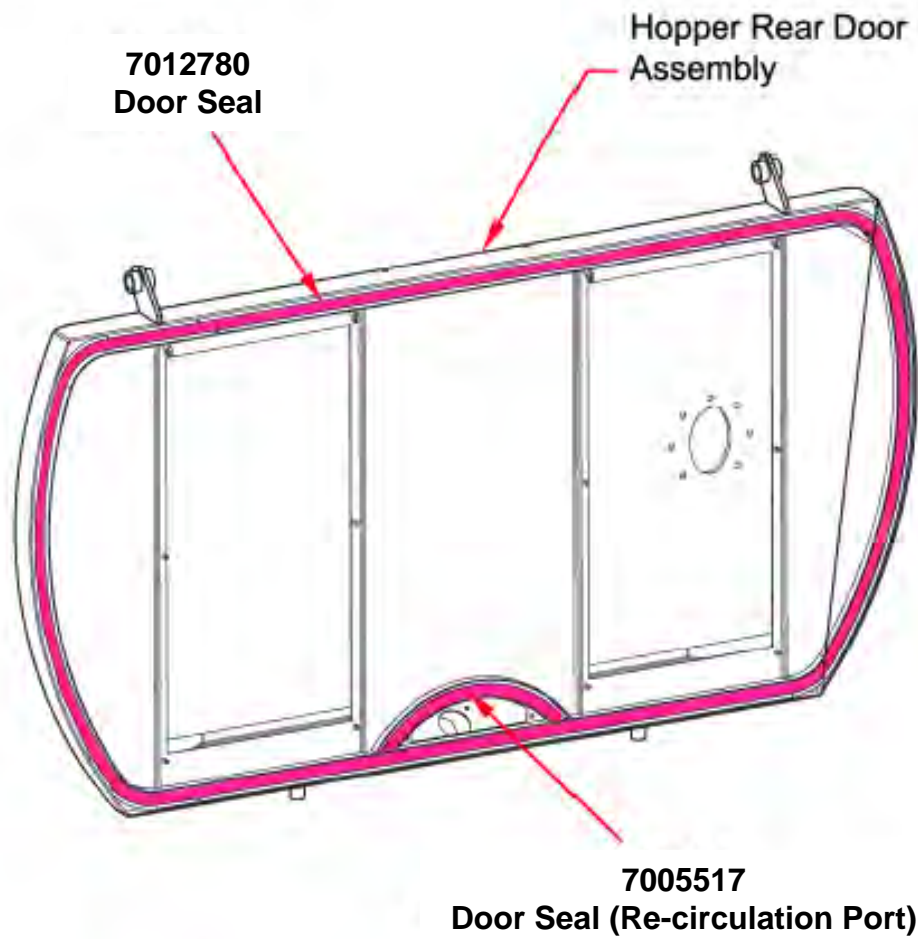
Seal-Suction System



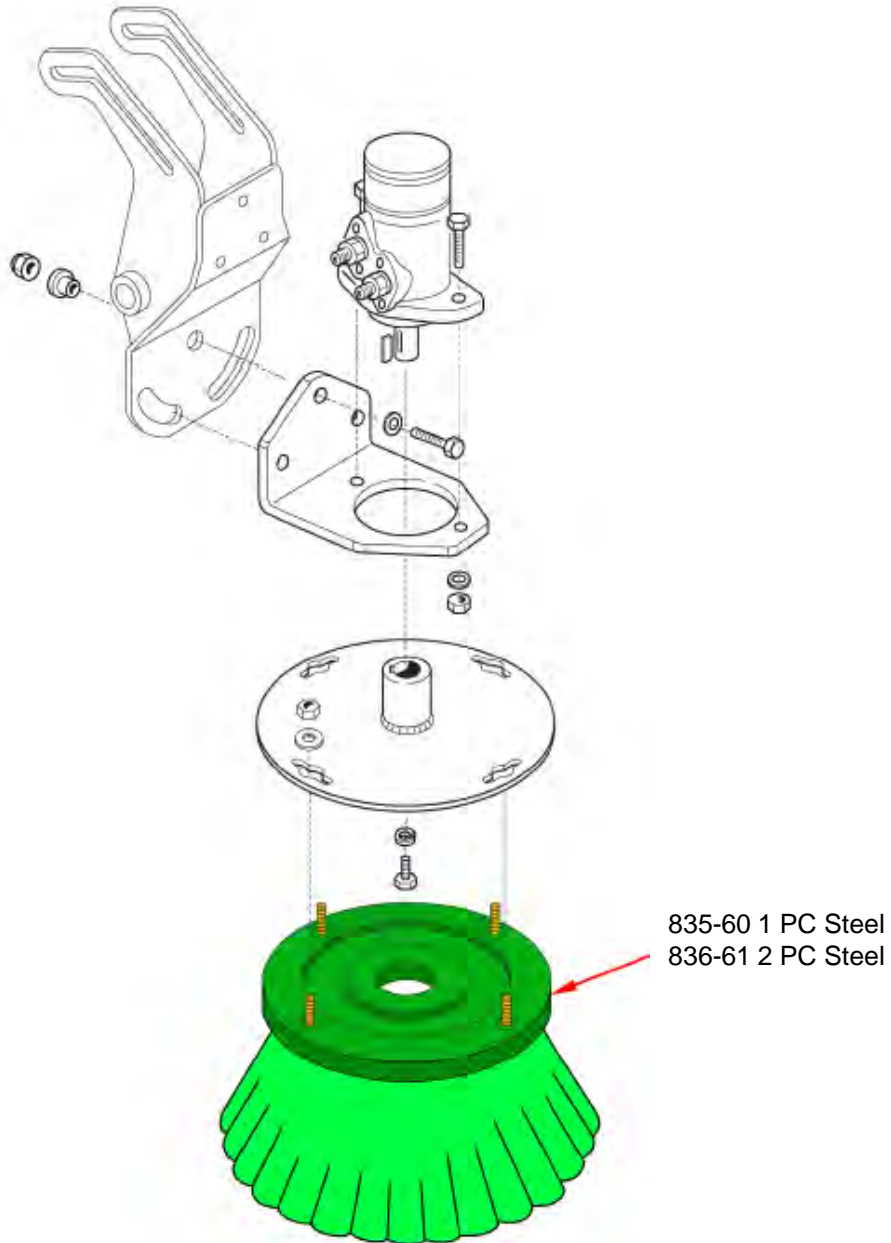
Water Components



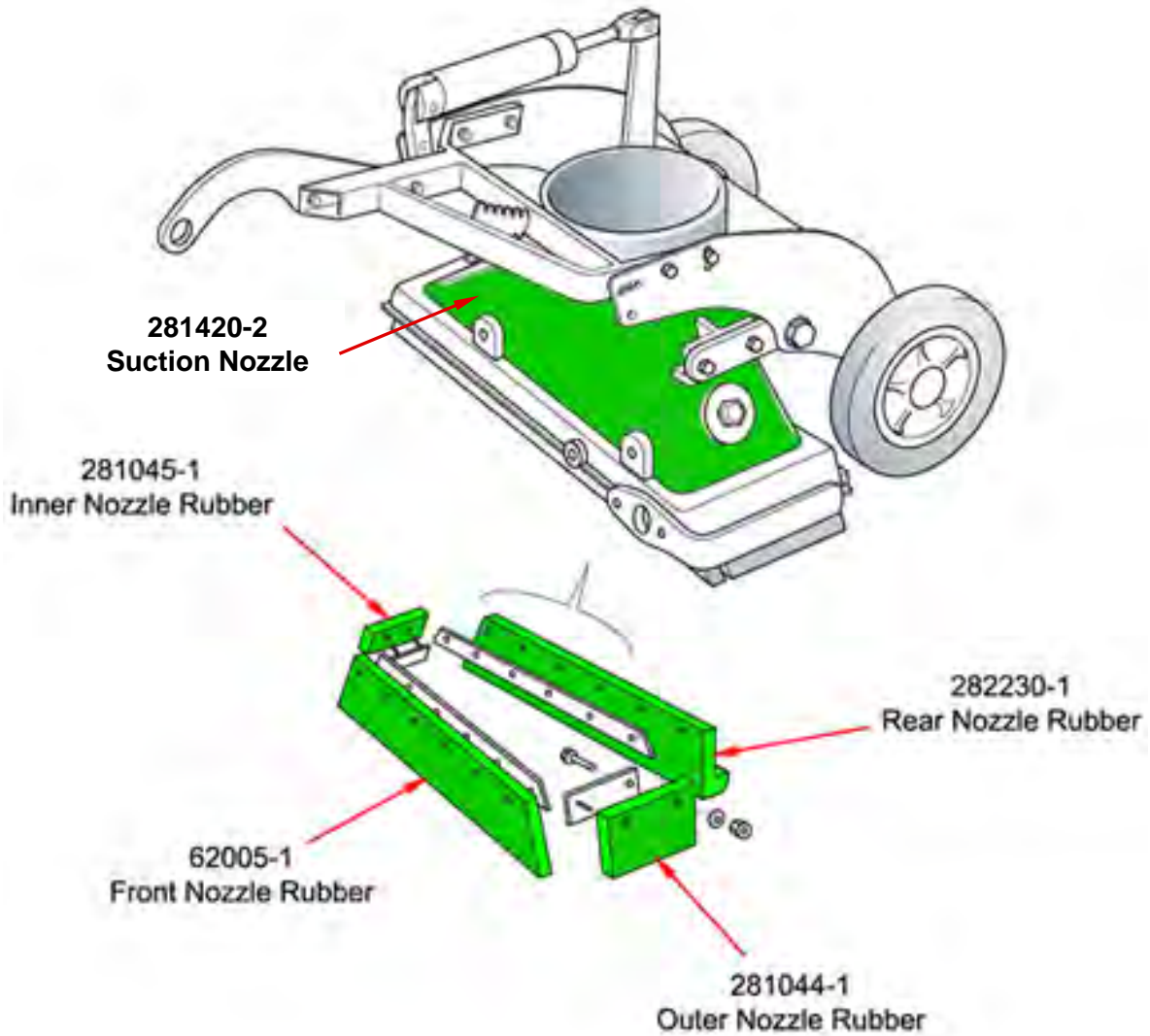
Hooper Door Seals



Gutter Broom Brush

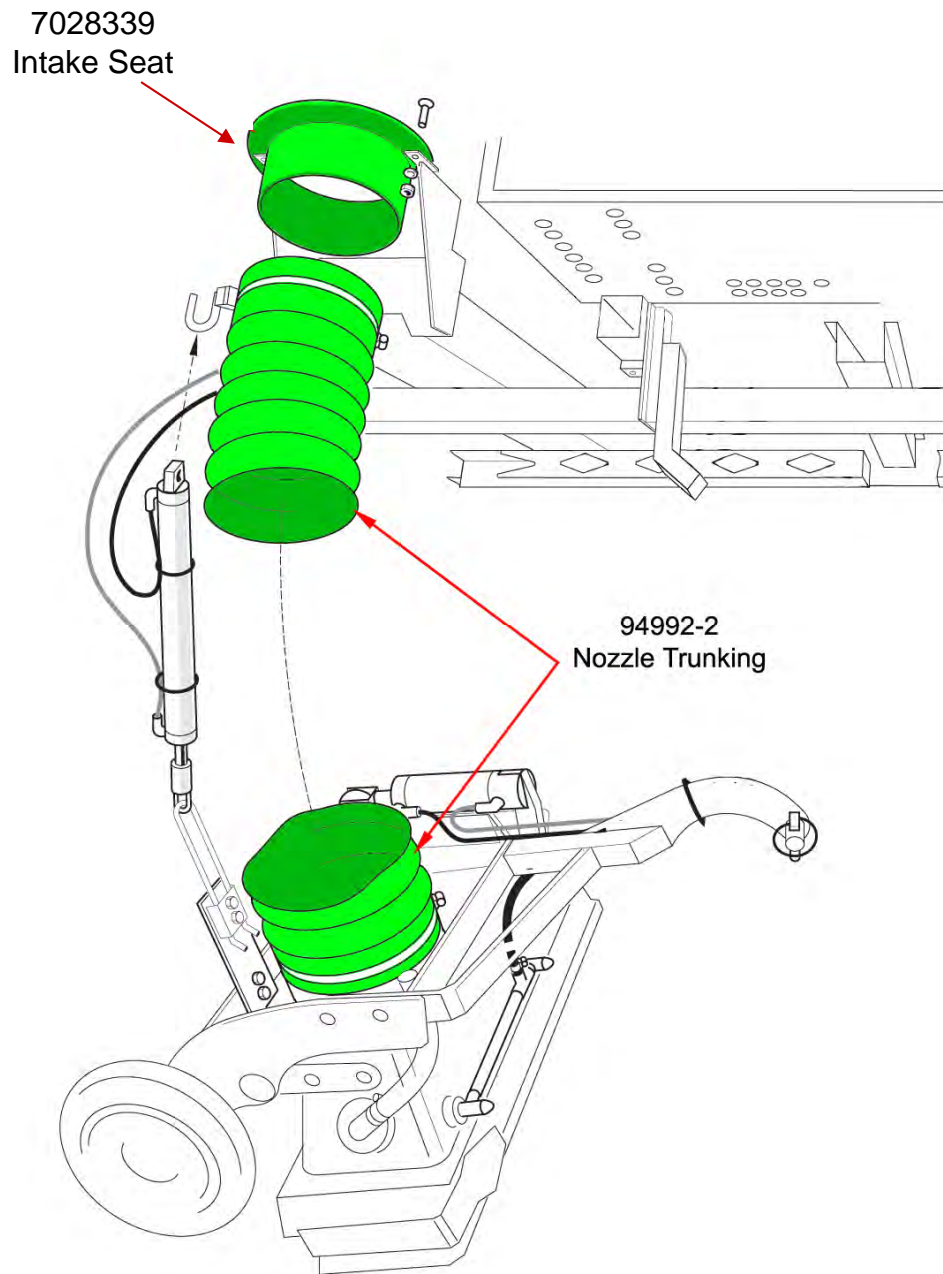


Suction Nozzle Rubber Curtains

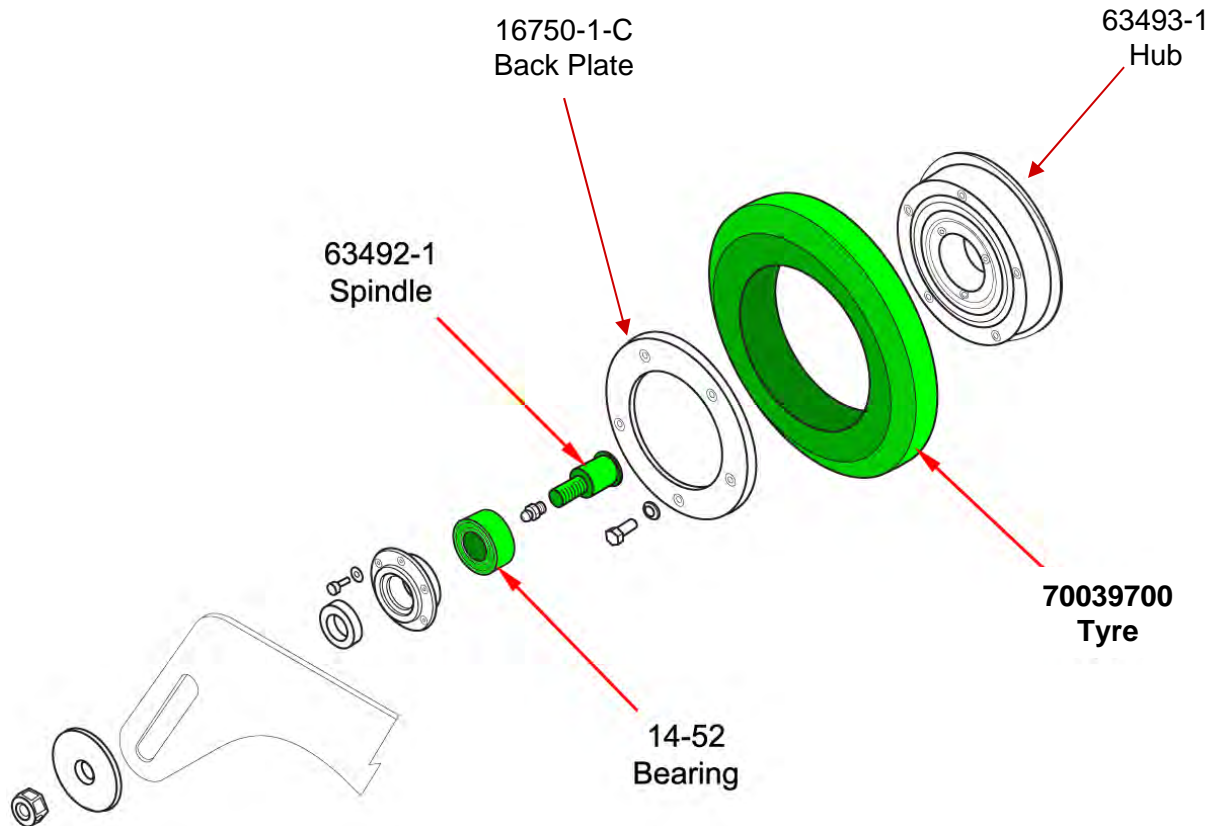


Complete Nozzle Rubber Kit – 4PC
282538-1

Suction Nozzle Trunking Assembly

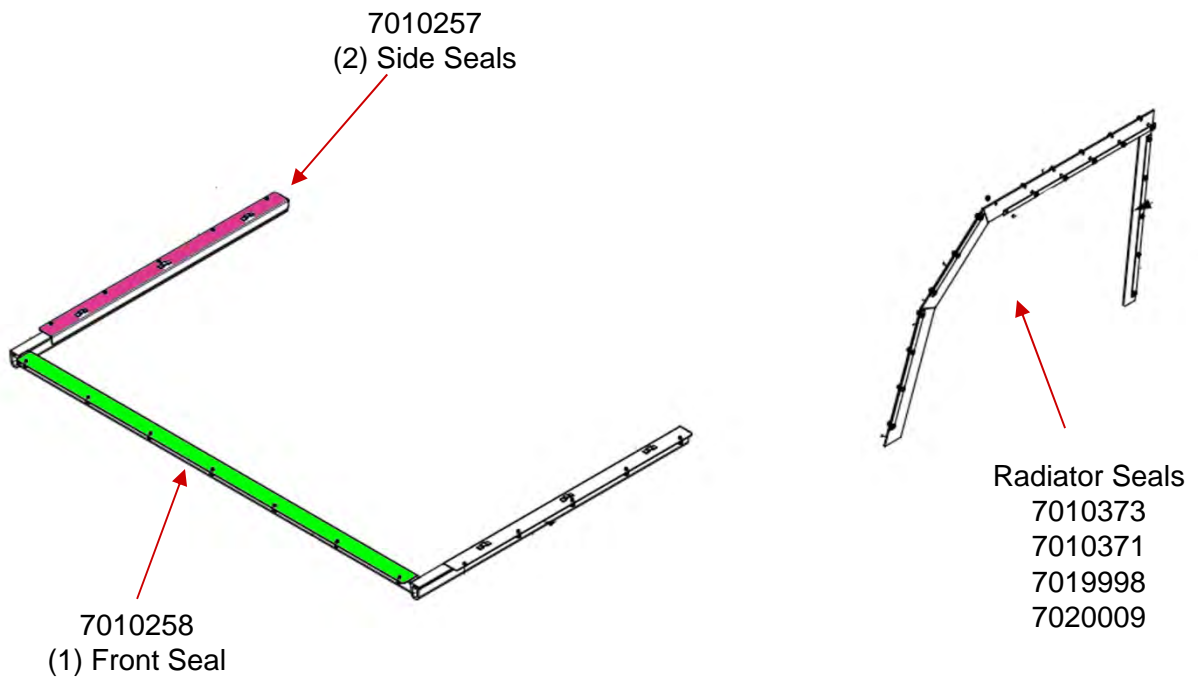


Suction Nozzle Wheel

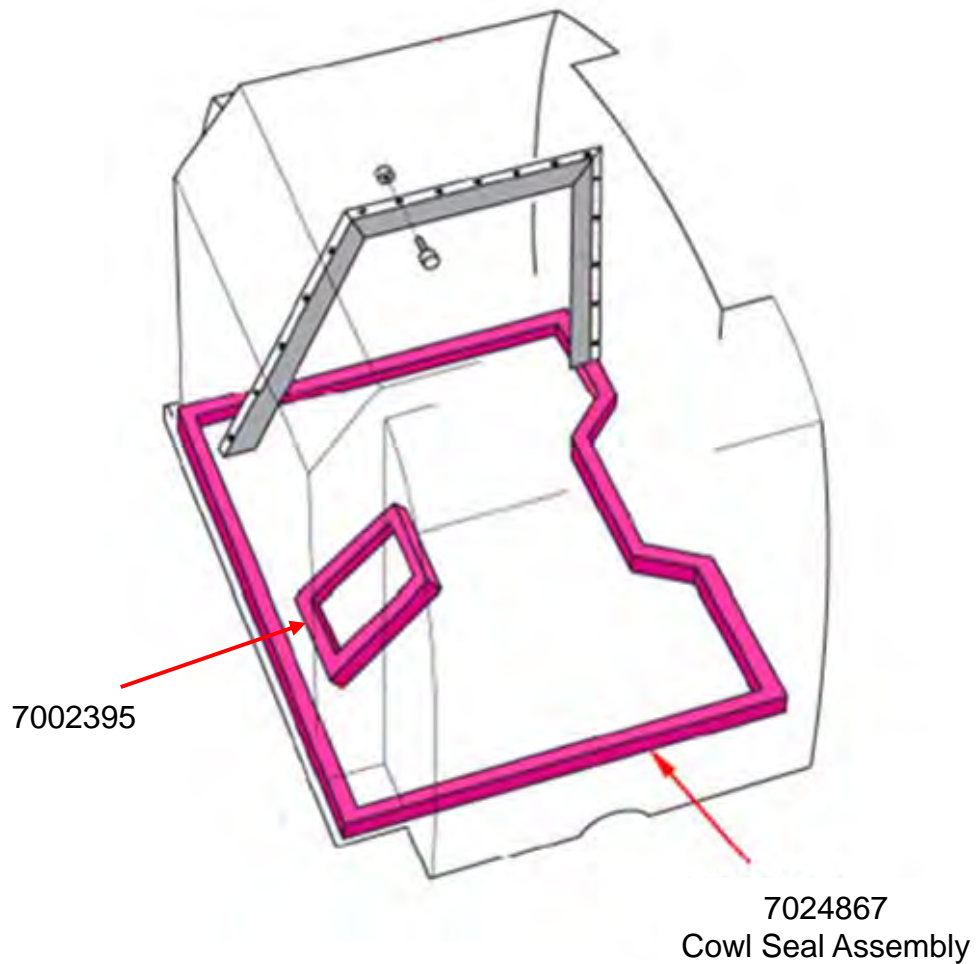


Complete Nozzle Wheel Assembly
63491-1

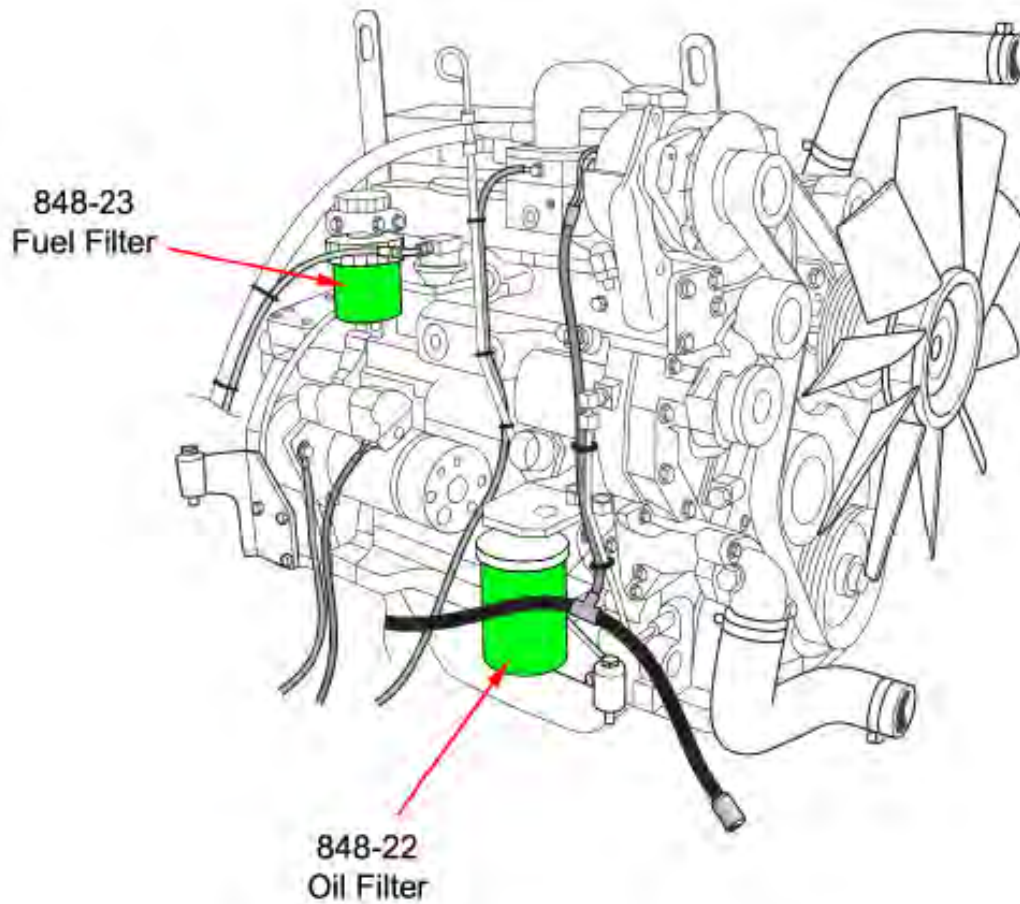
Cowl & Radiator Seals



Cowl Seals & Soundproofing



John Deere Engine Filters

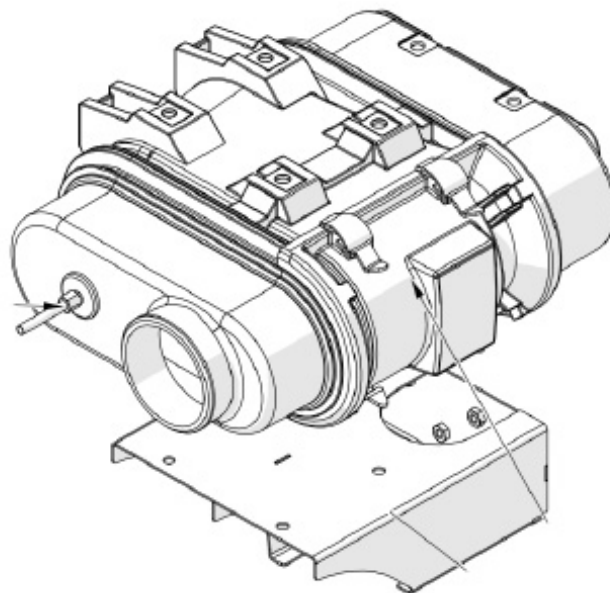


Air Cleaner

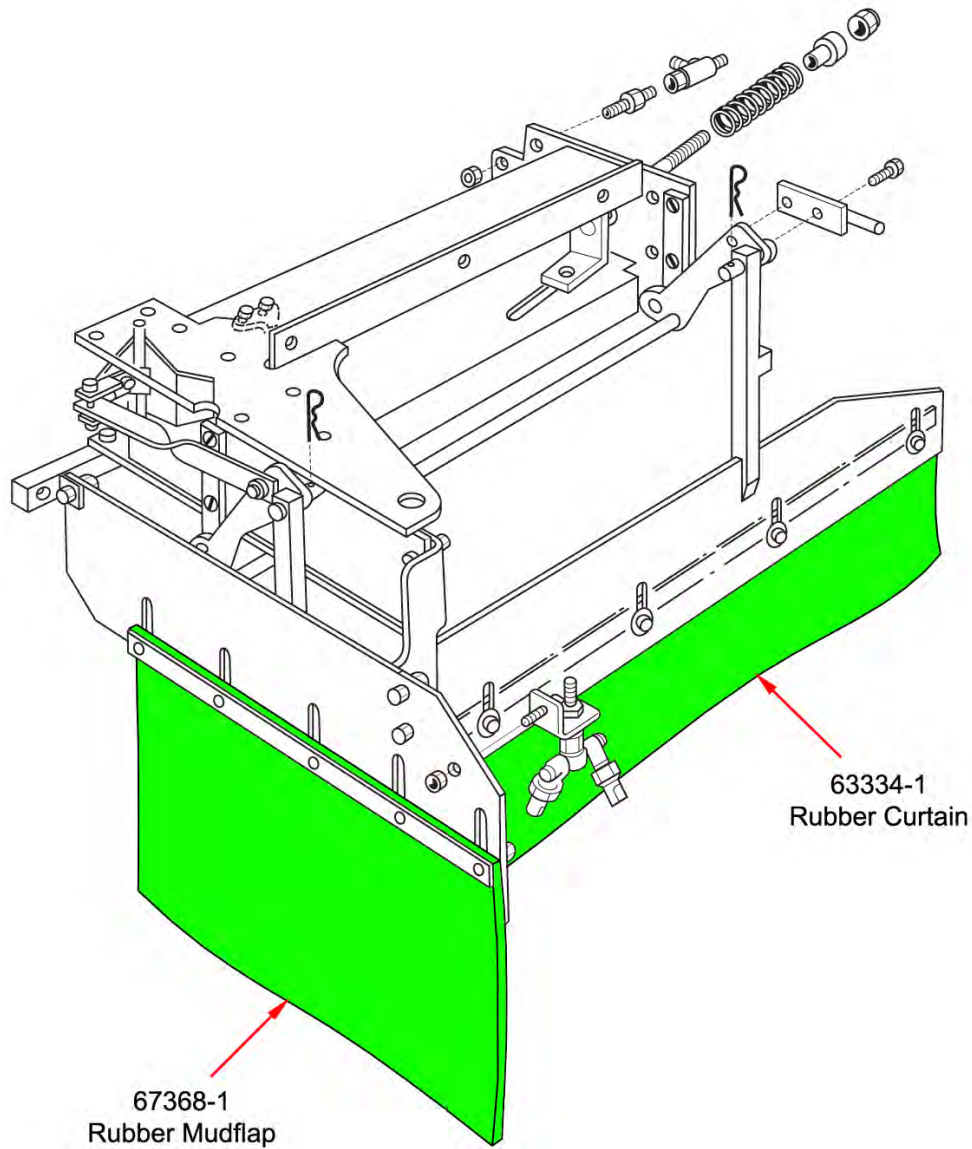
#295095-3
Safety Element



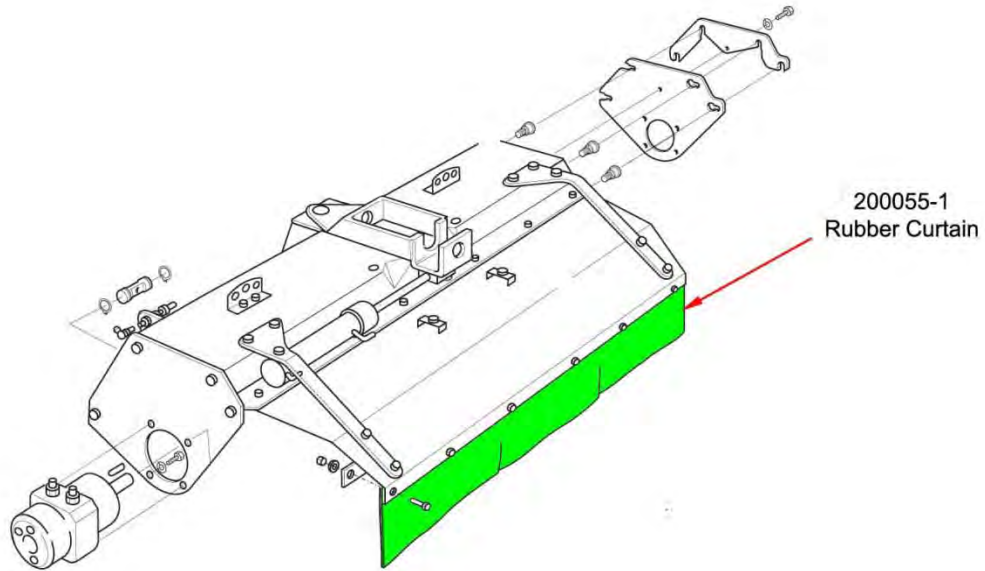
#295095-2
Main Element



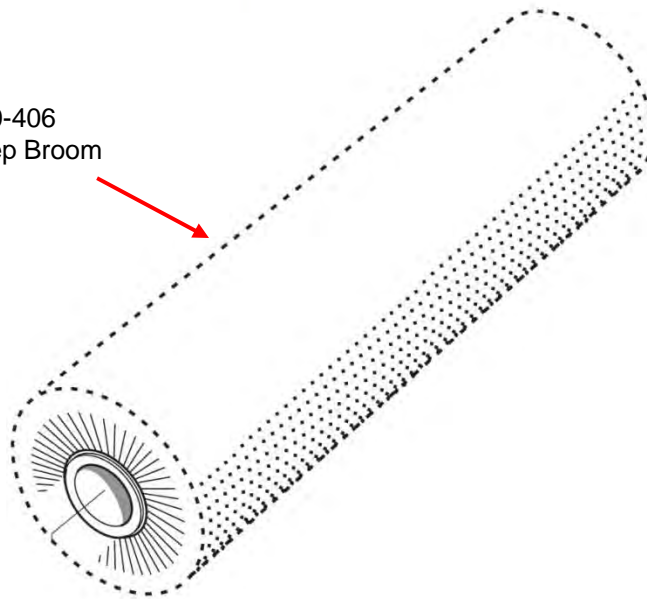
Channel Brush Curtains



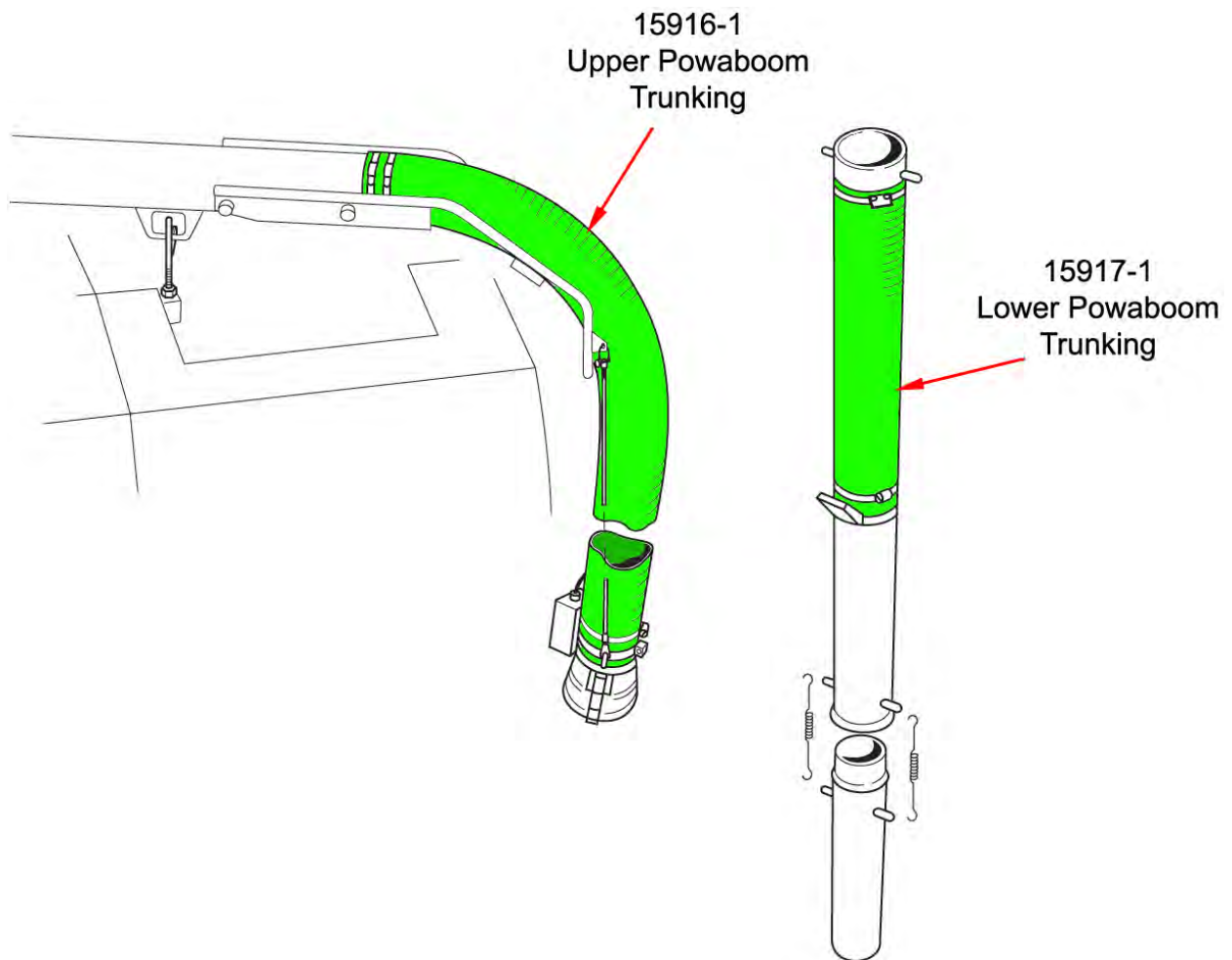
Wide Sweep Brush Assembly



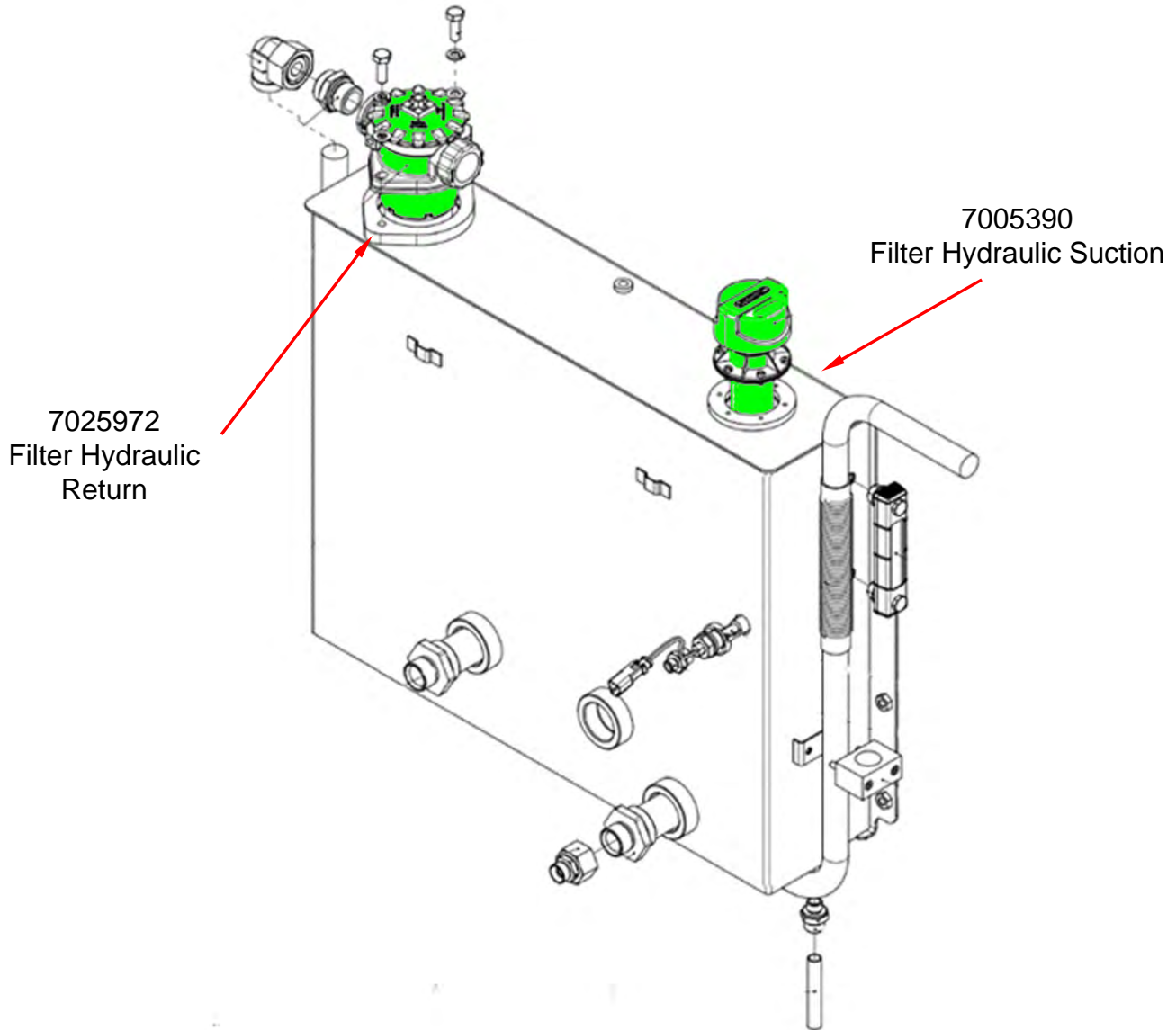
295050-406
Wide Sweep Broom



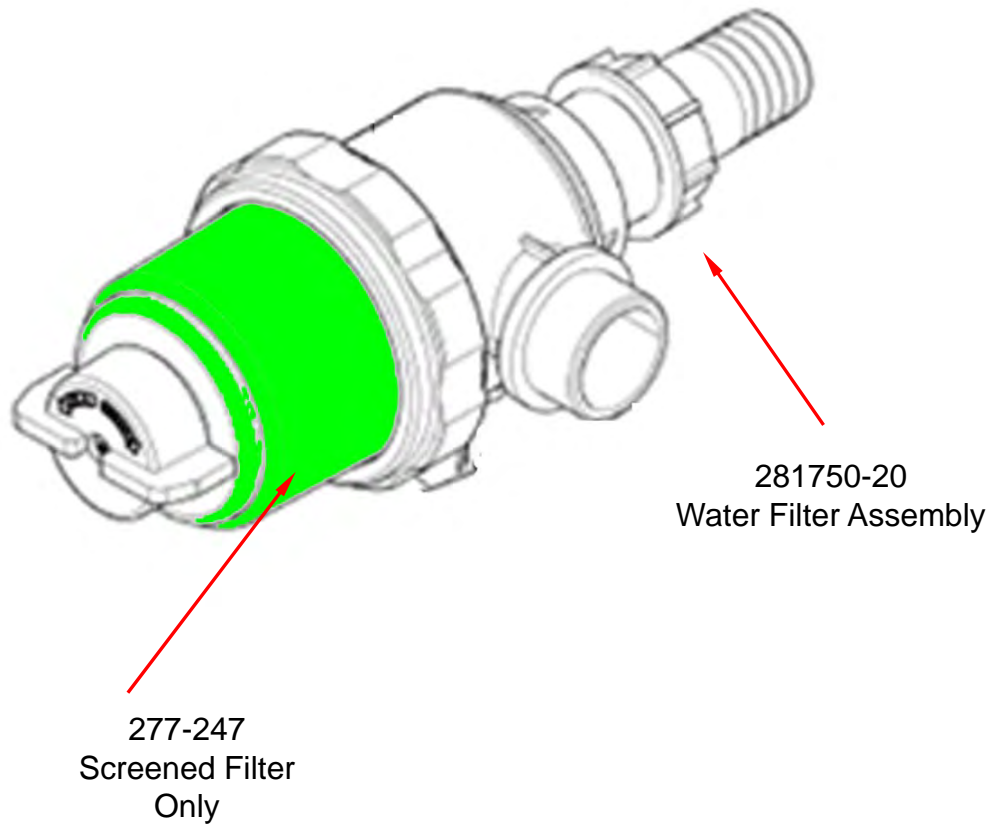
Powaboom Assembly (Option)



Hydraulic Tank Filters



Water Filter Assembly





VT651/801 OPTIMAL PERFORMANCE SERVICE SCHEDULE

Part Number	Description	U.O.M	Location of Part	SERVICE HOURS		
				EVERY 50 HOURS	600 HOURS	1200 HOURS / ANNUALLY
217-47	Seal - Access Door	EA	Body		X	X
7012780	Rear door seal	EA	Body			X
7005517	Rear door re-circ seal (Short)	EA	Body			X
7003891	Seal - Rubber Nozzle to Body	EA	Body		X	X
7015594	Wear Plate	EA	Body		X	X
282577-1	Intake Flap	EA	Body			X
40516-1-B	Clip - Flap	EA	Body			X
281217-1	Door Seal	EA	Body			X
7010257	Cowl Seal	EA	Cowling			X
7010258	Cowl Seal	EA	Cowling			X
7010373	Radiator Seal	EA	Cowling			X
7010371	Radiator Seal	EA	Cowling			X
7019998	Retaining Strip top	EA	Cowling			X
7020009	Retaining Strip Rear	EA	Cowling			X
7024867	Cowl Seal	EA	Cowling			X
848-22	Filter - Oil	EA	Engine	X	X	X
848-39	Filter - Fuel	EA	Engine	X	X	X
848-40	Water sediment filter	EA	Engine	X	X	X
848-41	Fan Belt	EA	Engine		X	
7005390	Filter - Hydraulic Suction	EA	Engine		X	X
295095-2	Filter - Main Air	EA	Engine	X	X	X
295095-3	Filter - Safety Air	EA	Engine	X	X	X
7025972	Filter - Hydraulic Return	EA	Engine		X	X
7033091-SP	Impeller kit 800 dia.	EA	Engine			X*
7003618	Seal fancase duct	EA	Engine		X	X
7002395	Seal cowl/fancase	EA	Engine		X	X
7039700	Tyre - Nozzle	EA	Sweepgear		X	X
63491-1	Nozzle wheel assembly	EA	Sweepgear			X
282538-1	Rubber - Nozzle Set Std	EA	Sweepgear		X	X
200055-1	Curtain - Rubber W.S.B.	EA	Sweepgear		X	X
7018771	Curtain W.S.B.	EA	Sweepgear			X
63334-1	Curtain - Rubber Nozzle	EA	Sweepgear		X	X
67368-1	Curtain - Rubber Mudflap	EA	Sweepgear		X	X
504-54	Clip - Hose (Nozzle Trunking)	EA	Sweepgear		X	X
94992-2	Trunking - 8 Inch Dia	EA	Sweepgear		X	X
835-60	Channel Brush 4 Row 650mm dia.Steel	EA	Sweepgear	X	X	X
295050-406	Main Broom	EA	Sweepgear	X	X	X
72-39	Air bowl filter	EA	Systems Locker		X	X
15916-1-B	Trunking 200mm dia.	EA	Wanderhose		X	X
15917-1-B	Trunking extension 200mm dia.	EA	Wanderhose		X	X
504-52	Hose Clip for 200mm dia	EA	Wanderhose		X	X
21-78	Tip fan yellow	EA	Water System	X	X	X
21-67	Double Swivel Holder	EA	Water System			X
277-247	Rear Filter - Water	EA	Water System	X	X	X
6974-1-C	Filter - Water Tank	EA	Water System		X	X
7019000	Nozzle Holder Assembly W.S.B.	EA	Water System		X	X
7021284	Water valve(without coil)	EA	Water System		X	X
7021285	Water valve coil	EA	Water System			X

*inspect and replace if necessary



PARTS DEPARTMENT

Kevin Stutts, Parts Manager

P: 704.658.1333 ext. 106

-or- Option #4

Johnstonnorthamerica.com

Your Local Dealer:



Contact us:

Johnston North America

Parts Department

105 Motorsports Road

Mooresville, NC 28115

Website: <http://johnstonnorthamerica.com>

Kevin Stutts, Parts Manager

Phone: 704.658.1333 ext. 106

Kevin.stutts@johnstonnorthamerica.com

-or- Option #4

When contacting us:

- Always provide the EQ number of the machine when calling in or emailing an inquiry.

Note: The EQ/Serial Number is located on the rear of the truck under the hopper on the cross member.

- When verifying a part number, please present/state the part number you think it is.
- If part number cannot be located in the appropriate parts manual, be very descriptive of the location on the machine and function of the part required. Photos are recommended.
- Shipping Instructions - State on your PO whether the parts are to be shipped by air, truck, UPS...etc.



Due to continuous product development Johnston North America reserves the right to alter specifications without prior notice.
Copyright © 2015 Johnston North America VRANGEJNA0315