

2006D&L APPLICATIONS GUIDE

INTRODUCTION

The IAQ Solutions 2006D&L is a stand-alone unit used to reduce the levels of Volatile Organic Compounds (VOC's) and viable airborne biological contaminants. The unit is utilized as a "point-of-use" air purifier. The 2006D&L uses two 2" catalyst panels and two 2" MERV 13 filters. It may be wall mounted or set on a surface. This unit is suitable for spaces up to 2700 ft³. For recommended unit configurations, consult the 2008 Product Calculator supplied with packet. Contact IAQ Solutions if you do not have one. All IAQ Solutions products incorporate 3-step technology: MERV Filtration, UVGI Lamps and Photocatalysis.



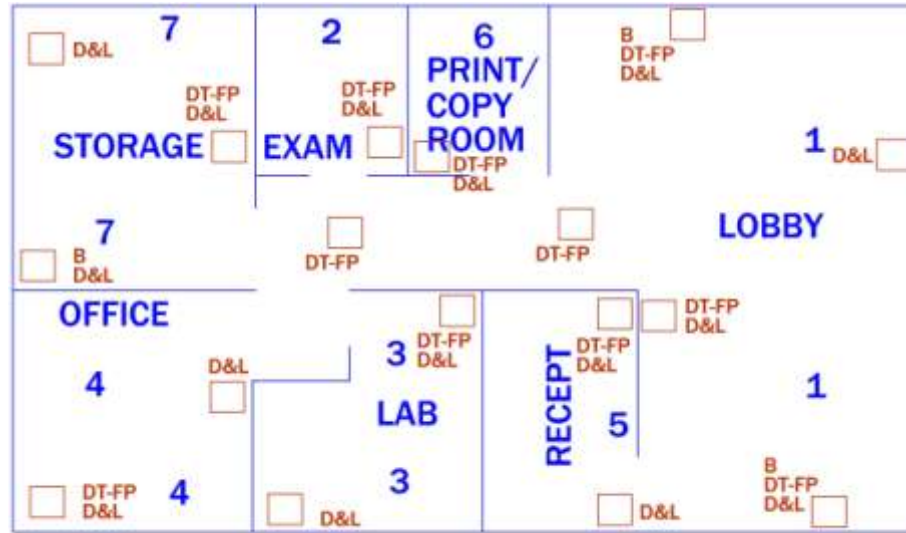
EXAMPLES OF USE

Typical installations include offices, public restrooms, waiting rooms, smoking lounges, patient care rooms, respiratory therapy, oncology rooms, isolation rooms and for areas servicing people with allergies or other areas with strong organic odors. For point-of-use, it may be moved from location to location and set on a table or desk. Depending on the source of VOCs, the unit may be hung at ceiling level to reduce the lighter-than-air contaminants (tobacco smoke VOCs) or placed on the floor for heavier organic loads (food-processing, printer's ink). The main goal is to place the unit between the level of people in the room and the source of VOCs and/or airborne biological contaminants and to maintain low levels of contaminants by multiple air changes.

DIMENSIONAL DATA

The IAQ Solutions 2006D&L is 13 ½" tall, 21" wide and 13" deep. It weighs 27 ½ lbs.

INSTALLATION EXAMPLE



LOCATION OF STAND-ALONE UNITS EXAMPLE

Rationale:

1. Reduce the threat from airborne contaminants at common entry point, such as mold, bacteria, viruses, and odors.
2. Reduce the possibility of potentially immuno-compromised people from airborne risks.
3. Reduce noxious odors and vapors from entering into the returns of the air handler.
4. To provide a safer environment for staff and personnel.
5. The receptionist area is the staff's first point-of-contact with potential bio-hazards.
6. Local VOC source.
7. If this is a dock with forklifts, these are large sources of VOCs and other contaminants that can be re-circulated into the air handlers.

Of course, use good judgment. Find out what is in each room, and what must be removed. The use of any stand-alone system, such as a 2006D&L, will reduce the overall load of contaminants entering the air handlers.

LAMPS

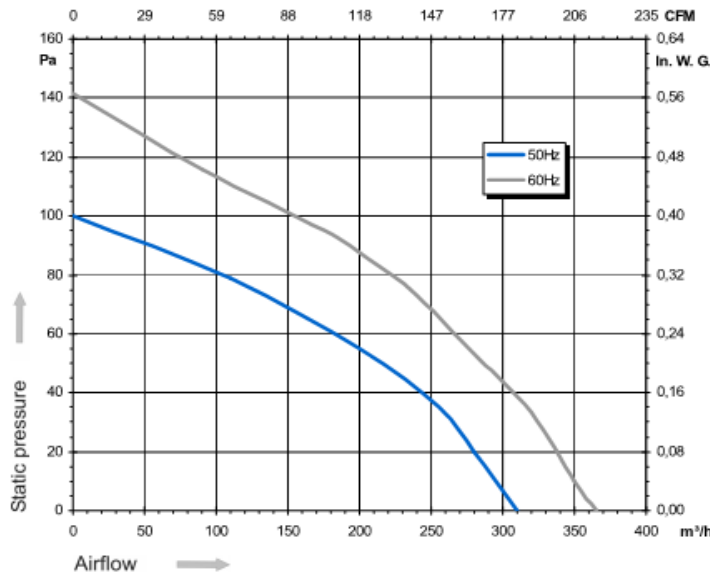
IAQ Solutions lamps do not produce ozone! The lamps provide a minimum intensity of 775 microwatts/cm² (5 milliwatts per square inch) at 10.77 centimeters (4.24") to activate the catalyst effectively. To maintain tested performance, lamps may not be substituted with another

manufacturer's products. These lamps provide UV-C wavelengths @ 254 nm. All lamps must be replaced yearly (9000 hrs) to maintain intensity requirements. The lamp operating temperature range is 41°F to 113°F. IAQ Solutions lamps contain trace amounts of mercury, encapsulated within the lamp and therefore reducing risk to the consumer or ecosphere.

FAN DATA

The IAQ Solutions 2006D&L incorporates a single reverse-curve impeller. The impeller is rated at 215 cfm with no load. This fan is available in 115V single phase 50/60Hz; for other voltages contact IAQ Solutions. For 115V, the fan's amp draw is 0.3A, and rotates at 1640 RPM. The fan's speed is controlled by potentiometer. This will also serve to power the unit (including lamps) on and off. The decibel reading is 52dB on high speed.

Voltage	Frequency	Input Power	Current	Capacitor	Airflow	Speed rotation	Noise level	Rotation direction	Operating temperature
V	Hz	Wa	A	µF	m³/h	RPM	dBA	↻	Min / Max
115	50	25	0,22	5,0	310	1 395	48	R	-40°C / +70°C
115	60	26	0,25	5,0	365	1 640	52	R	-40°C / +70°C



FILTRATION

The IAQ Solutions 2006D&L is equipped with two 8”x 10”x 2” MERV 13 filters.

POWER

Ballasts are matched to each specific lamp. To maintain tested performance, ballasts may not be substituted with another manufacturer's products. The ballasts must be specified as 120v, 60 Hz: contact the factory for other voltage/frequency requirements. The ballast operating temperature

range is -20°F to 158°F. The 2006D&L draws 1.2A at 120V. Genesis provides a 6' 115V appliance cord.

SAFETY

IAQ Solutions includes a safety kill switch on all units. The switch breaks power to the lamps and fan. The 2006D&L also includes a wire fan guard to prevent injury. It also includes 2 0810 UVS shielding that will prevent UV rays from escaping thru the filter.

IAQ SOLUTIONS QUICK REFERENCE

		2006D&L	2008DT-FP	2008B	2008LB	2008 PCP COMPOUND	2008CU	
	Small spaces	X	X			X	X	
	Medium spaces		X		X	X	X	
	Large spaces			X	X	X	X	
	Fan-powered	X	X	X				
	Multiple panels standard	X						
	Multiple panels optional			X	X	X		
	Located in:							
	AHU/RTU					X		
	Returns				X	X	X	
	Supplies				X	X	X	
	Trunk lines				X	X	X	
	Curbs					X		
	Stand-alone units	X	X	X				

IAQ Solutions, Inc.
5202 CR 7350, Suite C
Lubbock, TX 79424
806.783.0226 Phone
806.745.9200 Fax
info@iaqsolutionsinc.net
www.iaqsolutionsinc.net

