

Interior Moulding-Crownart

Lacuno Art is a custom moulding manufacturer, supplier and designer of premium plaster mouldings and exterior architectural mouldings working with renovators, architects, designers and homebuilders for over two decades. From idea generation to production, any aesthetic design can be achieved through technologically advanced computer generated design simulation and on-site manufacturing. The company has pioneered a process that uses specially formulated Gypsum plaster to create a strong flexible and lightweight mould and trim for both interior and exterior use. Lacuno Art offers uncompromising service.



Crown Moulding



Beams

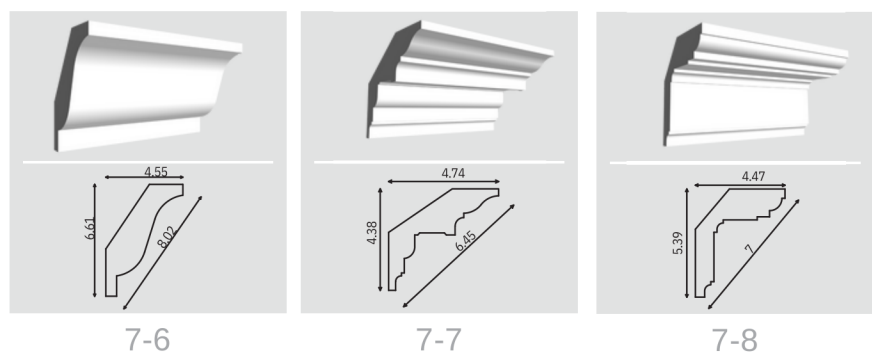
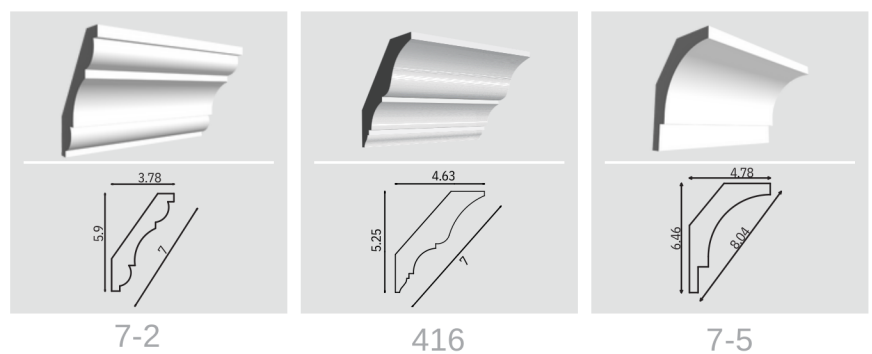
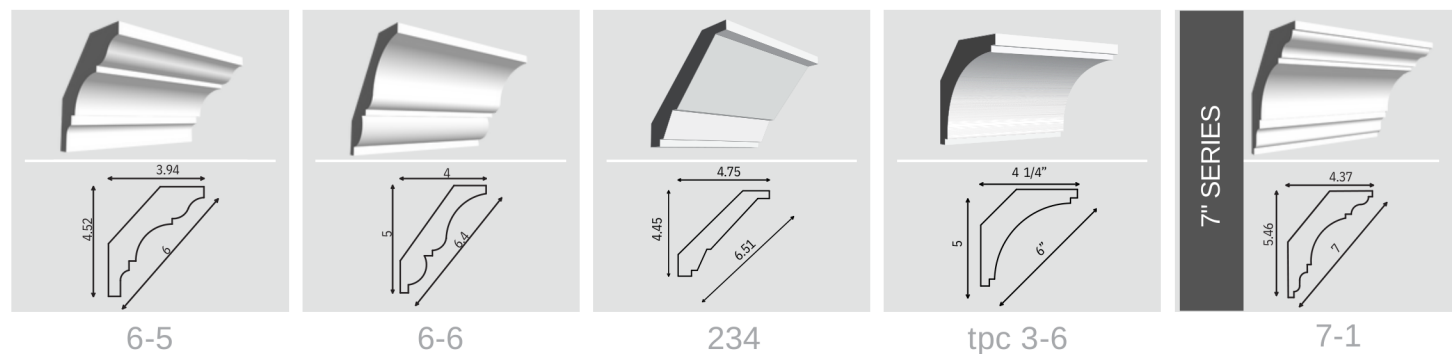
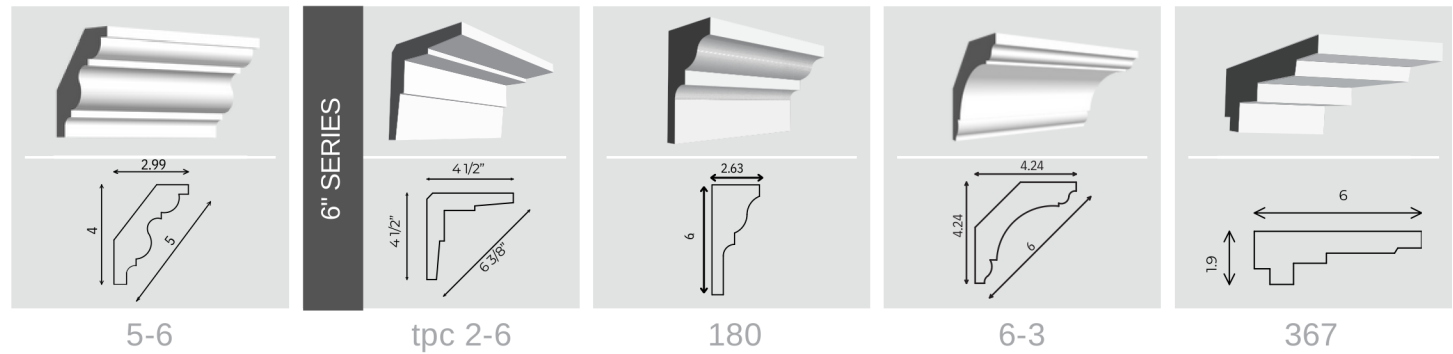
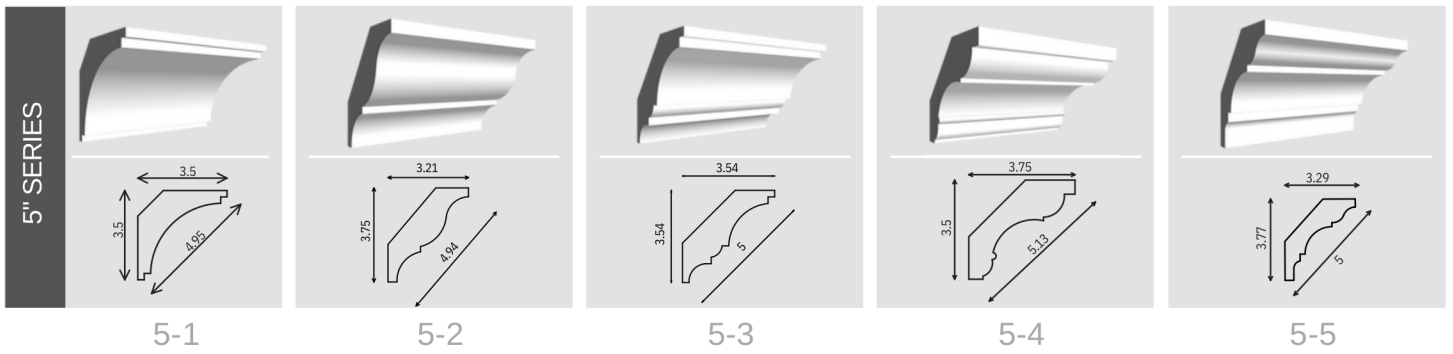


Light Coves

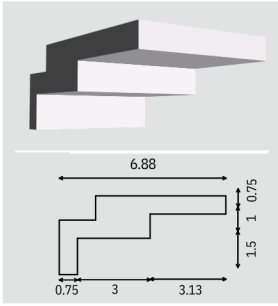


Panels

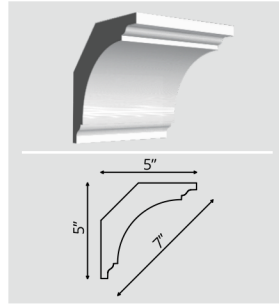
INTERIOR MOULDING - CROWNart



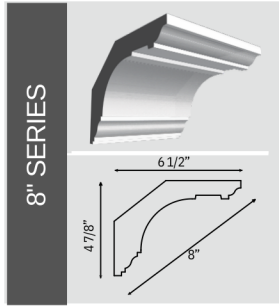
All products are available in Bow & Arch.



Urban 2

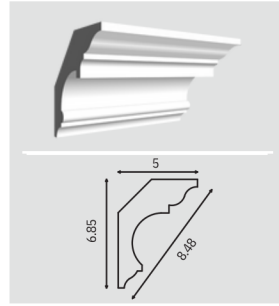


tpc 2-7

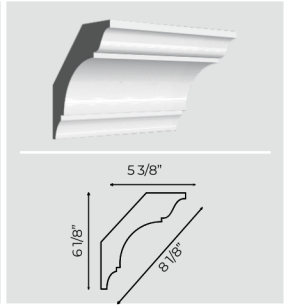


8" SERIES

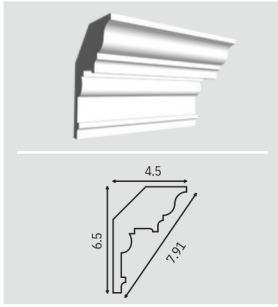
tpc 3-8



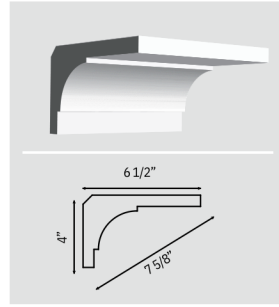
8-1



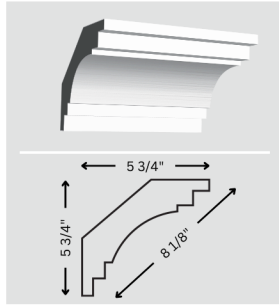
tpc 2-8



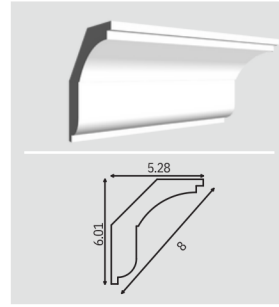
8-3



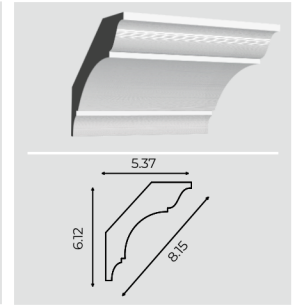
tpc 1-7



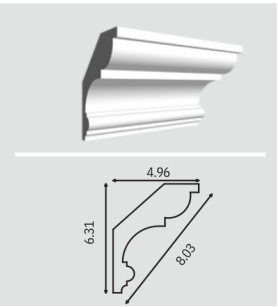
tpc 1-8



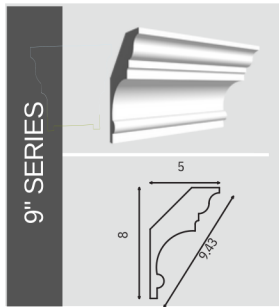
8-6



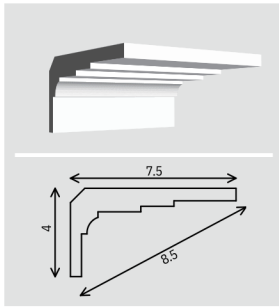
215



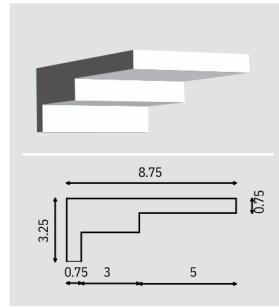
8-8



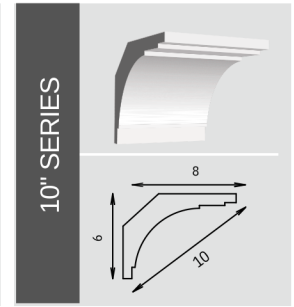
9-1



294

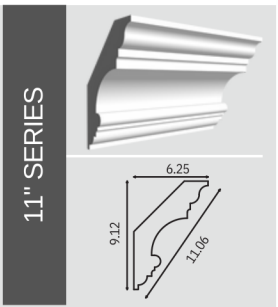


Urban 1



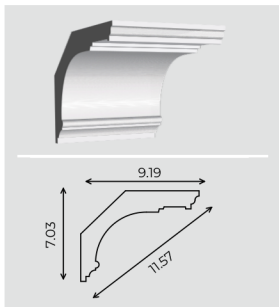
10" SERIES

273

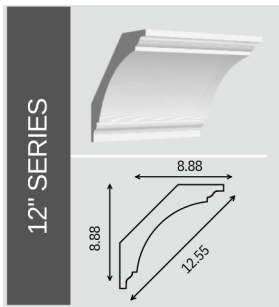


11" SERIES

11-1

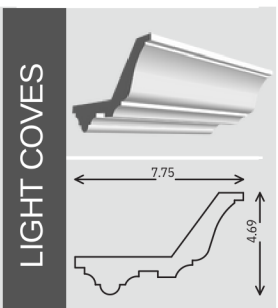


379



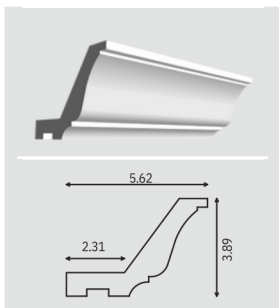
12" SERIES

378

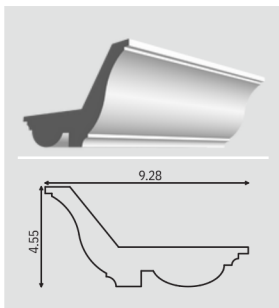


LIGHT COVERS

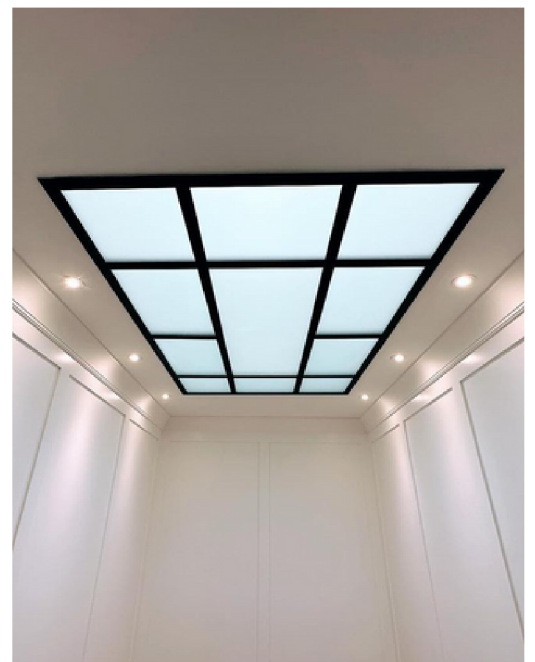
CLC-02



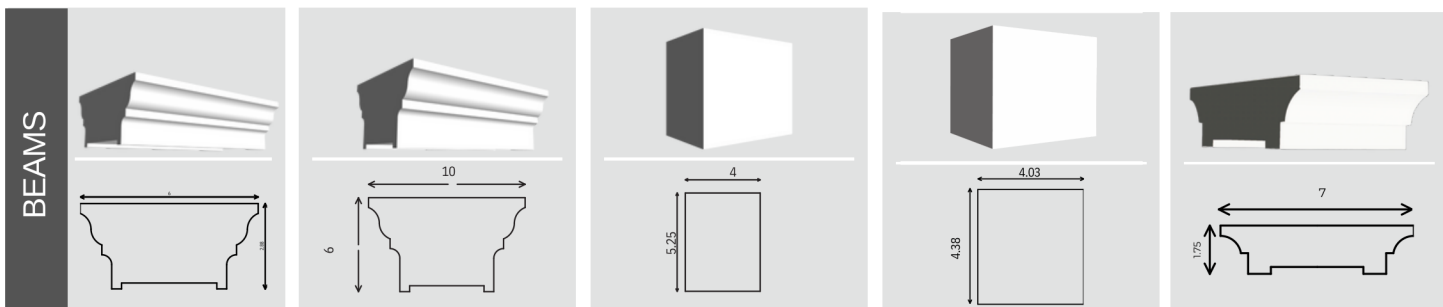
CLC-05



CLC-08



INTERIOR MOULDING



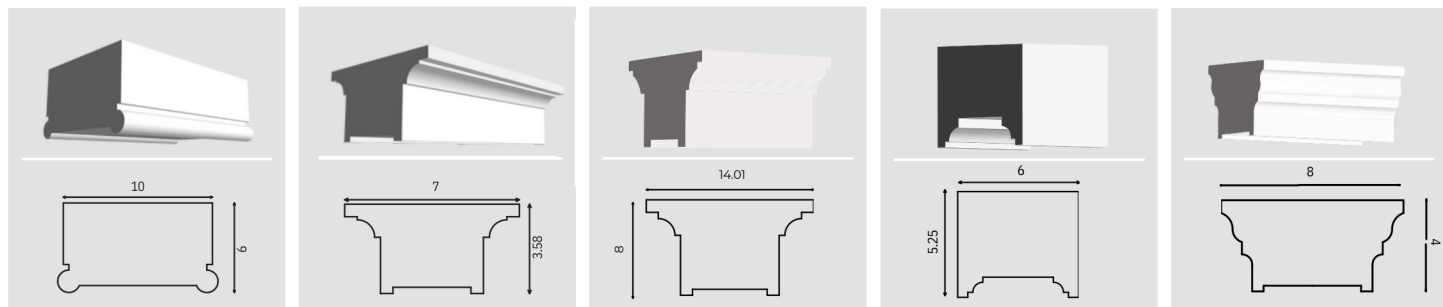
B-1

B-2

B-3

B-4

B-5



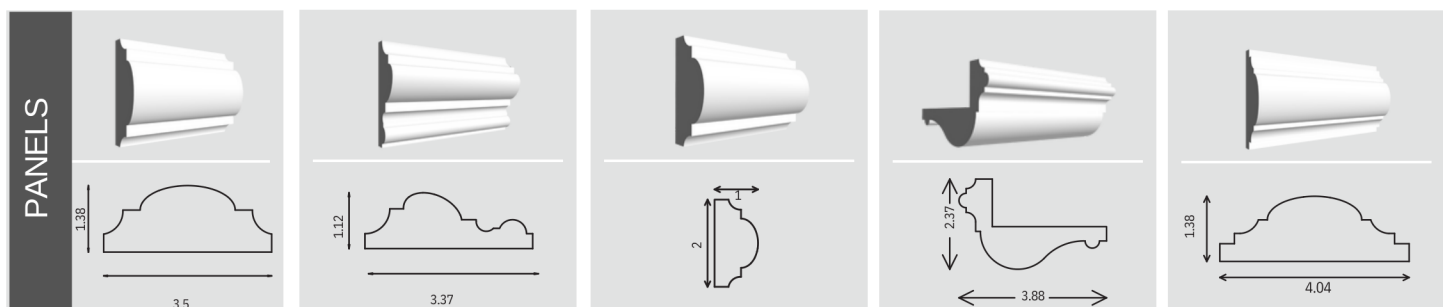
B-6

B-7

B-7 XL

B-13

BB-16



CP-01

CP-02

CP-03

CP-04

CP-16



